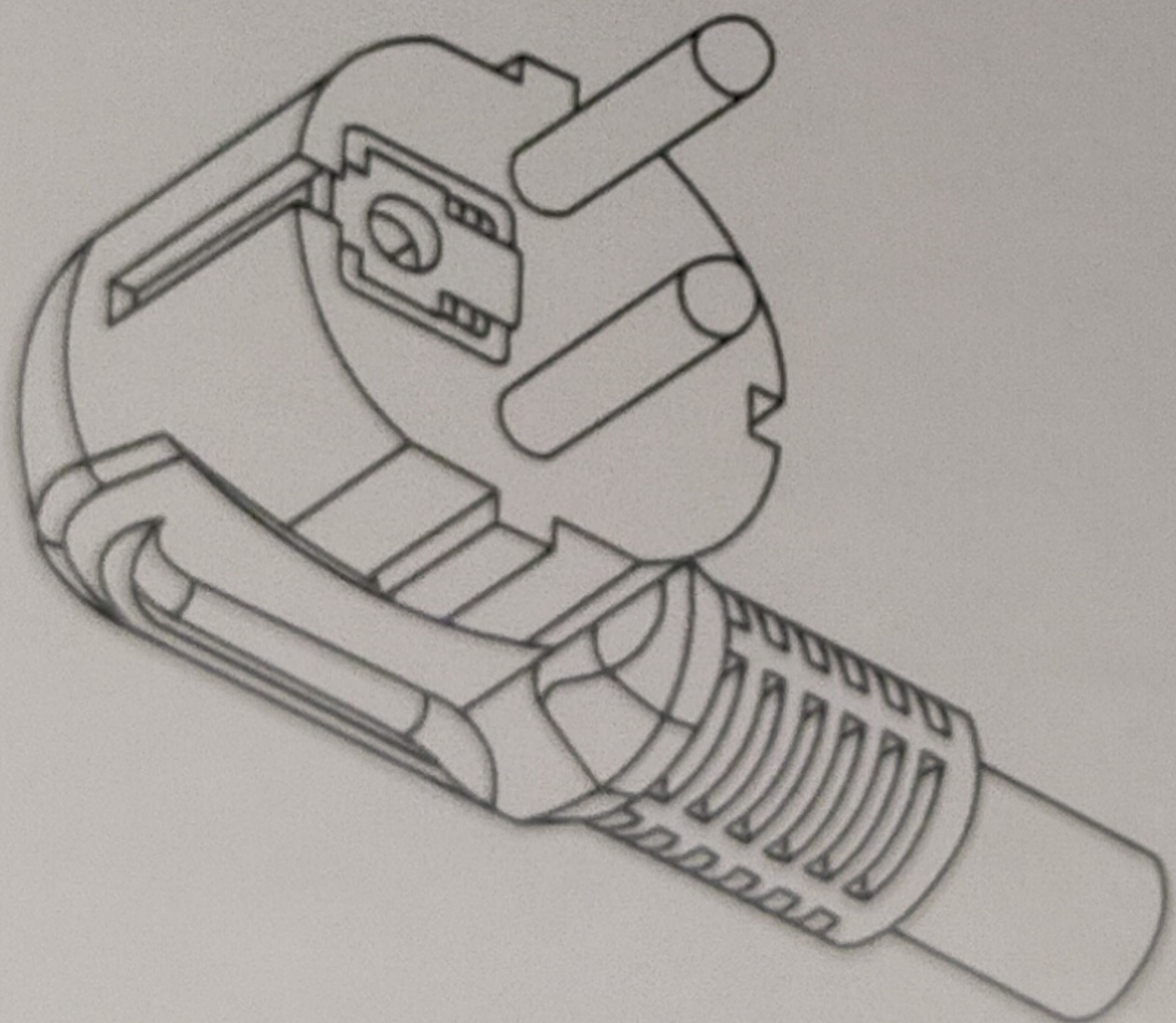


European 2 Pin (VDE)



Rated voltage: 220-240V ~50/60HZ
Rated power input: 1000-1200W
Capacity: Max. 33.8 Oz (1.0L)

TECHNICAL DATA