

VAGGAN

BARBECUE

MODEL G2082 / X88-000010

MODEL G9003B / X88-000020



VER1.0.0920

UK

NL

D

F

E

I

CZ

P

PL

RU

TR

DK

NO

S

H

FI

GR

LAT

LTU

SLO

EST

HR

UA

RO

BG

SK

INSTRUCTIONS FOR USE

GEBRUIKSAANWIJZING | GEBRAUCHSANWEISUNG | MODE D'EMPLOI | MODO DE EMPLEO | ISTRUZIONI PER L'USO

NÁVOD K POUŽITÍ | INSTRUÇÕES DE USO | INSTRUKCJA OBSŁUGI | ИНСТРУКЦИЯ | KULLANIM KILAVUZU

BRUGSANVISNING | BRUKSANVISNING | HASZNÁLATI UTASÍTÁS | KÄYTTÖOHJE | ΟΔΗΓΕΙΕΣ | LIETOŠANAS NORĀDĪJUMI

NAUDOJIMO INSTRUKCIJOS | NAVODILA ZA UPORABO | KASUTAMA | UPUTSTVO ZA UPORABU | ИНСТРУКЦІЯ

MOD DE FOLOSIRE | ИНСТРУКЦИИ ЗА УПОТРЕБА | NÁVOD NA POUŽITIE

IMPORTANT

- Read the following instructions carefully and make sure your barbecue is properly installed, assembled and cared for. Failure to follow these instructions may result in serious bodily injury and/or property damage.
- KEEP FOR FUTURE REFERENCE.
- If you have any questions regarding the assembly or operation of this product, consult your dealer or LP Gas supplier.
- Make sure the appliance and GAS tank are standing on a flat surface when used on the ground.
- Never light the appliance with the HOOD in the closed position.
- Never light or use the side burner with the lid in the closed position.
- Your barbecue can be used on a gas tank of 6 to 11 kg.
- When lighting the barbecue, the following clearances must be strictly respected:
- Sides and rear of appliance: 1 meter from any obstruction.
- Above the appliance: NO OVERHEAD OBSTRUCTION ARE PERMITTED.
- USE OUTDOORS ONLY.
- **WARNING:** ACCESSIBLE PARTS MAY BE VERY HOT. PLEASE KEEP YOUNG CHILDREN AWAY.
- DO NOT MOVE THE APPLIANCE DURING COOKING

IF YOU SMELL GAS

- Shut off the gas inlet to the grill
- Extinguish any open flame
- Open lid
- If odor persists, keep away from the appliance and immediately call your gas supplier or fire department.
- Do not store propane LPG cylinder within 4m of this appliance.
- Do not store or use petrol or other liquids with flammable vapors within 8m of this/ any other similar appliance.
- Gas tanks- (not connected for use) should never be stored in the proximity of this/any other similar appliance.

WARNINGS

1. This grill is for outdoor use only, and should not be used in a building, garage or any other closed area.
2. This grill is NOT for commercial use.
3. This grill must be used with propane LP GAS MIXTURE only. Using natural gas or converting the product to be able to do so is dangerous.

4. LP gas characteristics:
 - a. LP gas is flammable and hazardous if handled improperly. Read the specifications carefully before using any LP gas product.
 - b. LP gas is explosive under pressure, heavier than air and settles in pools in low areas.
 - c. LP gas in its natural states has no odor. For safety, an odorant is added that smells like rotten cabbage.
 - d. Contact with LP Gas can cause freeze burns to skin.
5. The gas tank must be fitted with a tank valve.
6. The gas tank must be fitted with a tank collar to protect the tank valve.
7. Never use a propane LP gas tank with a damaged body, valve, collar, or base.
8. Dented or rusted LP gas tanks may be hazardous and should be checked by your LP gas supplier prior to use.
9. The LP gas tank should not be dropped or handled roughly.
10. The LP gas tank must be stored outdoors, out of the reach of children, and must not be stored in a building, garage, or any other closed area. LP gas tank must never be stored where temperatures can reach more than 50°C.
11. Never keep a filled LP gas tank in a hot car or boot. Heat will cause the gas pressure to increase, which may open the relief valve and allow gas to escape.
12. Never attempt to attach this grill to the self-contained LP gas system of a camper trailer, motor home, or house.
13. The use of alcohol, prescription or non-prescription drugs may impair the consumer's ability to properly assemble or safely operate this appliance.
14. Never use charcoal, lighter fluid, lava rocks, petrol, paraffin or alcohol with this product.
15. Check for leaks even if your unit was assembled by someone else.
16. Do not operate the product if it is leaking gas. Gas leaks may cause a fire or explosions.
17. You must follow all leak-checking procedures before operating. To prevent fire or explosion hazard when testing for a leak:
 - a. Always perform a leak test before lighting the grill and each time the tank is connected for use.
 - b. No smoking. Keep away from any sources of ignition when conducting a leak test.
 - c. Conduct the leak test outdoors in a well-ventilated area.
 - d. Do not use matches, lighters, or a flame to check for leaks.
 - e. Do not use the grill until all leaks are corrected. If you are unable to remedy the leak, disconnect the LP gas supply.
18. Do not store or use petrol, other flammable liquids or vapors within 8m of this appliance.
19. Do not use in an explosive atmosphere. Keep the grill area clear and free from combustible materials.
20. Always keep all combustible items and surfaces at least 1m away from the grill. Do not use this grill or any gas product under any overhead or near any unprotected combustible structures.
21. It is essential to keep the grill valve compartment, burners and circulating air vents clean. Inspect the grill before each use.
22. Do not alter the grill in any way.
23. Do not use the grill unless it is COMPLETELY assembled, and all parts are securely fastened and tightened.
24. This grill should be thoroughly cleaned and inspected on a regular basis. Always clean and inspect the hose before using the appliance. If there is evidence of abrasion, wear, cuts, or leaks, the hose must be replaced prior to the appliance being put into operation.
25. Use only factory authorized parts. The use of any part that is not factory authorized can be dangerous.
26. Do not use this appliance without reading the section 'Instructions for Use' of this manual.
27. To avoid burns, do not touch any metal parts of the grill until it has completely cooled down (about 45 min.).
28. When cooking, fire extinguishing equipment should be readily accessible. In the event of a grease fire, do not attempt to extinguish with water. Use type ABC dry chemical fire extinguisher or smother the flames with dirt, sand or baking soda.
29. Do not install or use in boats or recreational vehicles.
30. Do not use the grill in high winds.
31. Never lean over the grill when lighting.
32. Do not leave a lit grill unattended, **WARNING!** always keep children and pets away from the grill.
33. Do not attempt to move the grill when in use. Allow the grill to cool down before removing or storing it.
34. The grill can be stored indoors ONLY if the tank is disconnected, removed from the grill and properly stored outdoors.

35. Always open the lid of the grill carefully and slowly as the heat and steam trapped under can severely burn you.
36. Do not attempt to disconnect the gas regulator from the tank or any gas fitting while the grill is in use.
37. Always place the grill on a hard and level surface. The surfaces should be suitable to resist a 50°C temperature rise.
38. Use extreme caution on wooden decks.
39. Move gas hoses as far away as possible from hot surfaces and dripping hot grease.
40. Keep all electrical cords away from a hot grill.
41. Do not use grill for indoor cooking or heating. Toxic fumes can accumulate and cause asphyxiation.
42. After a period of storage and / or non-use, check for leaks, burner obstructions and inspect for any abrasion, wear and cuts to the hose.
43. Failure to open lid while igniting the grill's burners, or not waiting 5 minutes to allow the gas to clear if the grill does not light, may result in an explosive flame-up.
44. If the grill is not in use, the gas must be turned off at the supply tank and regulator.
45. Never operate the grill without its heat plates installed.
46. Do not store a spare LP gas tank under or near this appliance.
47. The tubing must be replaced when required by natural conditions. Use the type and length specified.
48. Position the tank next to the grill so that the hose does not and will not twist.
49. Make sure you are standing away from any source of ignition when changing the LP propane gas tank.
50. Any modification of the appliance may be dangerous.
51. Death, serious injury or damage to property may occur if you do not strictly comply with the above instructions and warnings.

PRODUCT SPECIFICATIONS

APPLIANCE CODE: X88-000010 / MODEL: G2082	
TOTAL HEAT INPUT (ALL GAS CATEGORIES)	5,5 kW (400 g/h)
GAS CATEGORY	I3B/P (30)
TYPES OF GAS	PROPANE LP GAS MIXTURES
GAS PRESSURE	30 mBar
INJECTOR SIZE	MAIN: 0,84 mm
IDENTIFICATION CODE	2575DM28150
WARNING: ACCESSIBLE PARTS MAY BE VERY HOT. KEEP YOUNG CHILDREN AWAY READ THE INSTRUCTIONS BEFORE USING THE APPLIANCE.	
FOR USE OUTDOORS AND IN WELL VENTILATED AREAS.	
IGNITION MAIN BURNER: SINGLE SHOT PIEZO IGNITION UNIT. THE SPECIFIED GAS FOR USE IS PROPANE AT 30 mBar.	

APPLIANCE CODE: X88-000020 / MODEL: G9003B	
TOTAL HEAT INPUT (ALL GAS CATEGORIES)	8,4 kW (611 g/h)
GAS CATEGORY	I3B/P (30)
TYPES OF GAS	PROPANE LP GAS MIXTURES
GAS PRESSURE	30 mBar
INJECTOR SIZE	MAIN: 0,82 mm
IDENTIFICATION CODE	2575DM28150
WARNING: ACCESSIBLE PARTS MAY BE VERY HOT. KEEP YOUNG CHILDREN AWAY READ THE INSTRUCTIONS BEFORE USING THE APPLIANCE.	
FOR USE OUTDOORS AND IN WELL VENTILATED AREAS.	
IGNITION MAIN BURNER: SINGLE SHOT PIEZO IGNITION UNIT. THE SPECIFIED GAS FOR USE IS PROPANE AT 30 mBar.	

ASSEMBLY

CONNECTING THE GAS TANK TO THE APPLIANCE

This appliance is only suitable for use with low-pressure propane gas (LPG mixtures), fitted with the appropriate low-pressure regulator via a flexible hose. The hose should be secured to the regulator and the appliance with hose clips. This barbecue is set to operate a 30-mbar regulator with LPG mixtures. Please consult your LPG dealer for information regarding a suitable regulator for the gas tank.

REGULATOR AND HOSE

These items are not supplied with the barbecue, they can be bought from your equipment retailer or an authorized LP gas supplier. Use only regulators and hose approved for LP gas at the above pressures. The life expectancy of the regulator is estimated as 10 years. It is recommended that it the regulator is changed within 10 years of the date of manufacture. The use of the wrong regulator or hose is unsafe; always check that you have the correct items before operating the barbecue. Worn or damaged hose must be replaced. Ensure that the hose is not obstructed, kinked, or in contact with any part of the barbecue other than at its connection. The hose used must conform to the relevant standard for the country of use.

STORAGE OF APPLIANCE

Storage of an appliance indoors is only authorized if the cylinder is disconnected and removed from the appliance. When the appliance is not used for a long period of time, it should be stored in its original packaging and stored in a dry and dust free environment.

GAS TANK

The gas tank should not be dropped or handled roughly! If the appliance is not in use, the cylinder must be disconnected. Replace the protective cap on the cylinder after disconnecting the cylinder from the appliance. Cylinders must be stored outdoors in an upright position and out of the reach of children. The cylinder must never be stored where temperatures can reach over 50°C. Do not store the cylinder near flames, pilot lights or other sources of ignition. **DO NOT SMOKE.**

This barbecue is designed for use outdoors, away from any flammable materials. It is important that there are no overhead obstructions and that there is

a minimum distance of 1 meter from the side or rear of the appliance. It is important that the ventilation openings of the appliance are not obstructed. The barbecue must be used on a level, stable surface. The appliance should be protected from direct draughts and shall be positioned or protected against direct contact with any trickling water.

Parts sealed by the manufacturer or his agent must not be altered by the user. No modifications should be made to any part of this barbecue and repairs and maintenance should only be carried out by an authorized service engineer.

CONNECTION TO APPLIANCE

Before connecting the appliance, make sure that there is no debris caught in the head of the gas cylinder, regulator, burner and burner ports. Spiders and insects can nest within and clog the burner/venturi tube at the opening. A clogged burner can lead to a fire within the lower part of the appliance. Fit the hose to the appliance using a spanner to tighten it onto the connection thread. If the hose is replaced it must be secured to the appliance and regulator connections with hose clips. Disconnect the regulator from the cylinder (according to the directions supplied with the regulator) when the barbecue is not in use. The Barbecue must be used in a well-ventilated area. Do not obstruct the flow of combustion air to the burner when the barbecue is in use. **ONLY USE THIS BARBECUE OUTDOORS.**

CHECK FOR LEAKS BEFORE USE

Never check for leaks with a naked flame: always use a soapy water solution.

TO CHECK FOR LEAKS

Make 2-3 fluid ounces of leak detecting solution by mixing one-part washing-up liquid with 3 parts water. Make sure the control valve is on "OFF". Connect the regulator to the cylinder and ON/OFF valve to the burner, make sure the connections are secure then turn ON the gas. Apply the soapy solution onto the hose and all joints. If bubbles appear you have a leak, which must be rectified before use. Retest after fixing the fault. Turn OFF the gas at the cylinder after testing. If leakage is detected and cannot be rectified: do not attempt to fix the leak and contact your gas dealer!

INSTRUCTION FOR USE

Assemble the barbecue carefully following the instructions. Connect the gas hose to the barbecue. Connect the regulator to the hose. Connect the regulator to the cylinder valve according to the regulator instructions supplied with the regulator. Turn all the control knobs on the 'OFF' position before turning on the gas supply to the appliance. Operate the regulator in accordance with the instructions supplied with the regulator.

LIGHTING YOUR BARBECUE (MAIN BURNER)

LIGHTING INSTRUCTIONS

MODEL G2082 / X88-000010

1. Open the hood.
2. Turn all the control knobs clockwise to "OFF" position.
3. Connect the gas regulator to the gas bottle and the appliance. Turn the gas supply "ON" at the gas bottle. Check with the use of soapy water for any gas leakage between the bottle and the gas regulator.
4. Push down the left hand control knob and turn it anti-clockwise to the "Full rate" position whilst depressing the piezo ignition button 4 or 5 times. This will light the burner. Observe if the burner has lit. If not repeat this process.
5. If the burner has not lit after retrying wait 5 minutes and repeat step 3.
6. Adjust the heat by turning the knob to the High/Low position.
7. If the burner does not light, light the appliance with a match using the lighting hole in the side of the appliance.
8. To light the right hand burner, turn the right hand control knob to the full rate position, it will light of the left hand burner. Always light the appliance from the left hand burner to the right hand side.
9. To turn OFF the barbecue: Close the gas bottle valve, and then turn the control knobs on the appliance clockwise to the 'OFF' position.

MODEL G9003B / X88-000020

1. Open the hood.
2. Turn all the control knobs clockwise to "OFF" position.
3. Connect the gas regulator to the gas bottle and the appliance. Turn the gas supply "ON" at the gas bottle. Check with the use of soapy water for any gas leakage between the bottle and the gas regulator.
4. Push second control button, identifiable by the lightning symbol (⚡) and at the same time turn it to "HI". By doing so, the ignition should spark and light the principal burner.
5. You can light the other burners when the principal burner's signal (⚡) light shows it is lit.
6. If the lighting process doesn't work, turn the button to "OFF", wait a few moments, and repeat step 4.
7. Adjust the flame to the desired strength by using the control button.
8. To turn the barbecue off, turn the gas or the regulator off directly, and turn all controls back to "OFF".

WARNING: If the burner fails to ignite, turn the control knob off (clockwise) and also turn the gas bottle valve off. Wait five minutes before attempting to relight with ignition sequence.

CLEANING AND CARE

CAUTION: All cleaning and maintenance should be carried out when the barbecue is cool and with the fuel supply turned OFF at the gas cylinder.

CLEANING

"Burning off" the barbecue after every use (for approx. 15 minutes) will keep excessive food residue to a minimum.

OUTSIDE SURFACE

Use mild detergent or baking soda and hot water solution. Non-abrasive scouring powder can be used on stubborn stains, then rinse with water. If the inside surface of the barbecue lid has the appearance of peeling paint, baked on grease build-up has turned to carbon and is flaking off. Clean thoroughly with strong hot soapy water solution. Rinse with water and allow to completely dry. NEVER USE OVEN CLEANER.

INTERIOR OF BARBECUE BASE

Remove residue using brush, scraper and/or cleaning pad then wash with a soapy water solution. Rinse with water and allow to dry.

COOKING GRID

Use a mild soapy water solution. Non-abrasive scouring power can be used on stubborn stains then rinse with water.

CLEANING THE BURNER ASSEMBLY

Turn the gas OFF at the control knob and disconnect the cylinder. Remove cooled grate. Clean the burner with a soft brush or blow clean with compressed air and wipe with a cloth. Clean any clogged ports with a pipe cleaner or stiff wire (such as an opened paper clip). Inspect burner for any damage (cracks or holes). If damage is found, replace with a new burner. Reinstall the burner, check to make sure that the gas valve openings are correctly positioned and secured inside the burner inlet (venturi).

SERVICING

Your gas barbecue should be serviced annually by a competent and registered professional.

THE ENVIRONMENT

When this product reaches the end of its useful life, hand it in at a collection point for the recycling of electric and electronic equipment. Please refer to the symbols on the product, the users instructions or the packaging. Contact your municipality for the address of the appropriate collection point in your neighbourhood.

NL

BARBECUE

BELANGRIJK:

– Lees de volgende instructies zorgvuldig door en zorg ervoor dat uw barbecue op

de juiste manier wordt geïnstalleerd, gemonteerd en onderhouden. Het niet opvolgen van deze instructies kan leiden tot ernstig lichamelijk letsel en/of materiële schade. **BEWAREN VOOR TOEKOMSTIG GEBRUIK.**

- Als u vragen heeft over de montage of werking van dit product, neem dan contact op met uw dealer of LP Gas-leverancier.
- Zorg ervoor dat het apparaat en de GAS-tank op een vlakke ondergrond staan als ze op de grond worden gebruikt.
- Steek het apparaat nooit aan met de KAP in de gesloten stand.
- Steek nooit de zijbrander aan en gebruik deze nooit met het deksel in de gesloten stand.
- Uw barbecue kan gebruikt worden met een gastank van 6 tot 11 kg.
- Bij het aansteken van de barbecue moeten de volgende voorschriften strikt worden nageleefd:
 - Zijkanten en achterkant van het apparaat: 1 meter bij elke belemmering vandaan.
 - Boven het apparaat: ER MOGEN ZICH GEEN OBSTAKELS BOVEN BEVINDEN.
 - ALLEEN BUITENSHUIS GEBRUIKEN.
 - **WAARSCHUWING:** TOEGANKELIJKE DELEN KUNNEN ERG HEET ZIJN. BUITEN BEREIK VAN KLEINE KINDEREN HOUDEN.
 - VERPLAATS HET APPARAAT NIET TIJDENS HET KOKEN

ALS U GAS RUIKT

- Sluit de gasklep naar de barbecue af
- Doof eventuele open vlammen
- Open het deksel
- Als de geur aanhoudt, blijf dan uit de buurt van het apparaat en bel onmiddellijk uw gasleverancier of de brandweer.
- Bewaar de propaan LPG-cilinder niet binnen 4 m van dit apparaat.
- Bewaar of gebruik geen benzine of andere vloeistoffen met ontvlambare dampen binnen 8 m van dit of een soortgelijk apparaat.
- Gastanks (niet aangesloten voor gebruik) mogen nooit in de nabijheid van dit of een soortgelijk apparaat worden opgeslagen.

WAARSCHUWINGEN

1. Deze barbecue is alleen voor gebruik buitenshuis en mag niet worden gebruikt in een gebouw, garage of een andere gesloten ruimte.
2. Deze barbecue is NIET voor commercieel gebruik.
3. Deze barbecue mag alleen worden gebruikt met een propaan LP-GASMENGSEL. Het gebruik van aardgas

- of het ombouwen van het product om dit te kunnen doen is gevaarlijk.
4. LP-gaseigenschappen:
 - a. LP-gas is ontvlambaar en gevaarlijk als het verkeerd wordt gebruikt. Lees de specificaties zorgvuldig door voordat u een LP-gasproduct gebruikt.
 - b. LP-gas is explosief onder druk, zwaarder dan lucht en blijft hangen in zwembaden in lage ruimtes.
 - c. LP-gas heeft in zijn natuurlijke staat geen geur. Voor de veiligheid wordt er een geurstof toegevoegd die naar rotte kool ruikt.
 - d. Contact met LP-gas kan bevrozingsbrandwonden op de huid veroorzaken.
 5. De gastank moet voorzien zijn van een tankventiel.
 6. De gastank moet voorzien zijn van een tankkraag ter bescherming van het tankventiel.
 7. Gebruik nooit een propaan LP-gastank met een beschadigd(e) behuizing, ventiel, kraag of voet.
 8. Gedeukte of verroeste LP-gastanks kunnen gevaarlijk zijn en moeten voor gebruik door uw LP-gasleverancier worden gecontroleerd.
 9. De LP-gastank mag niet vallen of ruw behandeld worden.
 10. De LP-gastank moet buiten worden opgeslagen, buiten het bereik van kinderen, en mag niet worden opgeslagen in een gebouw, een garage of een andere gesloten ruimte. De LP-gastank mag nooit worden opgeslagen op plaatsen waar de temperatuur meer dan 50°C kan bereiken.
 11. Bewaar nooit een gevulde LP-tank in een hete auto of kofferbak. Door de hitte zal de gasdruk toenemen, waardoor het overdrukventiel open kan gaan en het gas kan ontsnappen.
 12. Probeer deze barbecue nooit aan te sluiten op het autonome LP-gassysteem van een caravan, camper of huis.
 13. Het gebruik van alcohol en al dan niet op recept verkrijgbare geneesmiddelen kan het vermogen van de consument om dit apparaat goed te monteren of veilig te bedienen aantasten.
 14. Gebruik nooit houtskool, aanstekervloeistof, lavastenen, benzine, paraffine of alcohol bij dit product.
 15. Controleer op lekken, zelfs als uw apparaat door iemand anders is gemonteerd.
 16. Bedien het product niet als het gas lekt. Gaslekken kunnen brand of explosies veroorzaken.
 17. U moet alle procedures voor het controleren van lekken volgen voordat u aan de slag gaat. Om brand of explosiegevaar te voorkomen bij het testen op een lek:
 - a. Voer altijd een lektest uit voordat u de barbecue aansteekt en elke keer dat de tank wordt aangesloten voor gebruik.
 - b. Niet roken. Blijf bij het uitvoeren van een lektest uit de buurt van eventuele ontstekingsbronnen.
 - c. Voer de lektest buiten uit in een goed geventileerde ruimte.
 - d. Gebruik geen lucifers, aanstekers of een vlam om te controleren op lekkages.
 - e. Gebruik de barbecue niet totdat alle lekken zijn verholpen. Als u het lek niet kunt verhelpen, moet u de toevoer van lpg-gas loskoppelen.
 18. Bewaar of gebruik geen benzine, andere ontvlambare vloeistoffen of dampen binnen 8 m van dit apparaat.
 19. Niet gebruiken in een explosieve omgeving. Houd het barbecuegebied schoon en vrij van brandbare materialen.
 20. Houd alle brandbare voorwerpen en oppervlakken altijd op minstens 1 m afstand van de barbecue. Gebruik deze barbecue of welk gasproduct dan ook niet onder een dak of in de buurt van onbeschermd brandbare constructies.
 21. Het is essentieel om het ventielcompartiment van de barbecueplaat, de branders en de circulatieluchtkanalen schoon te houden. Controleer de barbecue voor elk gebruik.
 22. Pas de barbecue op geen enkele manier aan.
 23. Gebruik de barbecue niet tenzij deze VOLLEDIG is gemonteerd en alle onderdelen goed zijn bevestigd en vastgezet.
 24. Deze barbecue moet regelmatig grondig worden gereinigd en geïnspecteerd. Maak de slang altijd schoon en inspecteer hem voordat u het apparaat gebruikt. Als er aanwijzingen zijn van wrijving, slijtage, beschadiging of lekkage, moet de slang worden vervangen voordat het apparaat in gebruik wordt genomen.
 25. Gebruik alleen door de fabriek goedgekeurde onderdelen. Het gebruik van een onderdeel dat niet door de fabriek is goedgekeurd, kan gevaarlijk zijn.
 26. Gebruik dit apparaat niet zonder het hoofdstuk 'Gebruiksaanwijzingen' van deze handleiding te lezen.
 27. Om brandwonden te voorkomen, mag u geen metalen onderdelen van de barbecue aanraken totdat hij volledig is afgekoeld (ongeveer 45 min.).
 28. Bij het koken moet brandblusapparatuur direct toegankelijk zijn. In het geval van een vetbrand, probeer niet te blussen met water. Gebruik een droge chemische brandblusser van het type ABC of verstik de vlammen met aarde, zand of baking soda.
 29. Niet installeren of gebruiken in boten of recreatieve voertuigen.
 30. Gebruik de barbecue niet bij harde wind.
 31. Leun nooit over de barbecue bij het aansteken.
 32. Laat een aangestoken barbecue niet onbeheerd achter, **WAARSCHUWING!** Houd kinderen en huisdieren altijd uit de buurt van de barbecue.
 33. Probeer de barbecue niet te verplaatsen als deze in gebruik is. Laat de barbecue afkoelen voordat u deze verwijderd of opbergt.
 34. De barbecue kan ALLEEN binnenshuis worden opgeslagen als de tank wordt losgekoppeld, van de barbecue wordt verwijderd en op de juiste manier buiten wordt opgeslagen.
 35. Open het deksel van de barbecue altijd voorzichtig en langzaam, want de warmte en de stoom die eronder gevangen zitten, kunnen u ernstig verbranden.
 36. Probeer de gasregelaar niet los te koppelen van de tank of een gasfitting terwijl de barbecue in gebruik is.
 37. Plaats de barbecue altijd op een harde en vlakke ondergrond. De oppervlakken moeten geschikt zijn om een temperatuurstijging van 50°C te weerstaan.
 38. Wees uiterst voorzichtig op houten terrassen.
 39. Verplaats de gasslangen zo ver mogelijk bij hete oppervlakken en druiwend heet vet vandaan.
 40. Houd alle elektrische snoeren uit de buurt van een hete barbecue.
 41. Gebruik geen barbecue om binnenshuis te koken of op te warmen. Giftige dampen kunnen zich ophopen en verstikking veroorzaken.
 42. Controleer na een periode van opslag en/of als hij een tijd niet gebruikt is op lekkages, branderbelemmeringen en controleer op eventuele wrijving, slijtage en beschadigingen aan de slang.
 43. Het niet openen van het deksel bij het ontsteken van de branders van de barbecue, of het niet wachten van 5 minuten om het gas te laten ontsnappen als de barbecue niet ontsteekt, kan leiden tot een explosieve vlammenzee.

44. Als de barbecue niet in gebruik is, moet het gas worden afgesloten bij de toevoertank en de regelaar.
45. Bedien de barbecue nooit zonder dat zijn warmteplaten zijn geïnstalleerd.
46. Bewaar geen reserve LP-gastank onder of in de buurt van dit apparaat.
47. De slang moet worden vervangen als de natuurlijke omstandigheden dat vereisen. Gebruik het gespecificeerde type en de gespecificeerde lengte.
48. Plaats de tank naast de barbecue, zodat de slang niet kan en zal draaien.
49. Zorg ervoor dat u bij het verwisselen van de LP-propaangastank uit de buurt van elke ontstekingsbron staat.
50. Aanpassingen aan het apparaat kunnen gevaarlijk zijn.
51. Dood, ernstig letsel of schade aan eigendommen kan zich voordoen als u de bovenstaande instructies en waarschuwingen niet strikt opvolgt.

PRODUCTSPECIFICATIES

APPARAATCODE: X88-000010 / MODEL: G2082	
TOTALE WARMTE-INPUT (ALLE GASCATEGORIEËN)	5,5 kW (400 g/u)
GASCATEGORIE	13B/P (30)
SOORTEN GAS	PROPAAN LP-GASMENGSELS
GASDRUK	30 mBar
FORMAAT INJECTOR	HOOFD: 0,84 mm
IDENTIFICATIECODE	2575DM28150
WAARSCHUWING: TOEGANKELIJKE DELEN KUNNEN ERG HEET ZIJN. BIJTEN BEREIK VAN KLEINE KINDEREN HOUDEN. LEES DE INSTRUCTIES VOORDAT U HET APPARAAT GEBRUIKT.	
VOOR GEBRUIK BIJTENSCHUITS EN IN GOED GEVENTILEERDE RUIMTES.	
ONTSTEKINGSBRON HOOFDBRANDER: PIËZO-ONTSTEKINGSEENHEID MET ENKELE VONK HET SPECIFIEKE GAS DAT MOET WORDEN GEBRUIKT: PROPAAN (OP 30 mBar).	
APPARAATCODE: X88-000020 / MODEL: G9003B	
TOTALE WARMTE-INPUT (ALLE GASCATEGORIEËN)	8,4 kW (611 g/u)
GASCATEGORIE	13B/P (30)
SOORTEN GAS	PROPAAN LP-GASMENGSELS
GASDRUK	30 mBar
FORMAAT INJECTOR	HOOFD: 0,82 mm
IDENTIFICATIECODE	2575DM28150
WAARSCHUWING: TOEGANKELIJKE DELEN KUNNEN ERG HEET ZIJN. BIJTEN BEREIK VAN KLEINE KINDEREN HOUDEN. LEES DE INSTRUCTIES VOORDAT U HET APPARAAT GEBRUIKT.	
VOOR GEBRUIK BIJTENSCHUITS EN IN GOED GEVENTILEERDE RUIMTES.	
ONTSTEKINGSBRON HOOFDBRANDER: PIËZO-ONTSTEKINGSEENHEID MET ENKELE VONK HET SPECIFIEKE GAS DAT MOET WORDEN GEBRUIKT: PROPAAN (OP 30 mBar).	

MONTAGE

HET AANSLUITEN VAN DE GASTANK OP HET APPARAAT
Dit apparaat is alleen geschikt voor gebruik met lagedrukpropaangas (LPG-mengsels), voorzien van de juiste lagedrukregelaar via een flexibele slang. De slang moet worden bevestigd aan de regelaar en het apparaat met slangklemmen. Deze barbecue is ingesteld om een 30-mbar-regelaar te bedienen met LPG-mengsels. Neem contact op met uw LPG-dealer voor informatie over een geschikte regelaar voor de gastank.

REGELAAR EN SLANG

Deze artikelen worden niet meegeleverd met de barbecue, ze kunnen worden gekocht bij uw apparatuurwinkel of bij een geautoriseerde

LP-gasleverancier. Gebruik alleen regelaars en slangen die zijn goedgekeurd voor LP-gas bij de bovenstaande drukken. De levensduur van de regelaar wordt geschat op 10 jaar. Het wordt aanbevolen om de regelaar binnen 10 jaar na de fabricagedatum te vervangen. Het gebruik van de verkeerde regelaar of slang is onveilig; controleer altijd of u de juiste onderdelen heeft voordat u de barbecue bedient. Versleten of beschadigde slang moet worden vervangen. Zorg ervoor dat de slang niet wordt geblokkeerd, is geknikt of in contact komt met enig ander onderdeel van de barbecue dan zijn aansluiting. De gebruikte slang moet voldoen aan de relevante norm van het land waar hij wordt gebruikt.

OPSLAG VAN HET APPARAAT

De opslag van een apparaat binnenshuis is alleen toegestaan als de cilinder wordt losgekoppeld en van het apparaat wordt verwijderd. Als het apparaat gedurende lange tijd niet wordt gebruikt, moet hij in de originele verpakking worden bewaard en in een droge en stofvrije omgeving worden opgeslagen.

GASTANK

De gastank mag niet vallen of ruw behandeld worden! Als het apparaat niet wordt gebruikt, moet de cilinder worden losgekoppeld. Plaats de beschermkap weer op de cilinder nadat u de cilinder van het apparaat hebt losgekoppeld. Cilinders moeten buitenshuis rechtopstaand en buiten het bereik van kinderen worden opgeslagen. De cilinder mag nooit worden opgeslagen op plaatsen waar de temperatuur boven de 50°C kan komen. Bewaar de cilinder niet in de buurt van vlammen, waakvlammen of andere ontstekingsbronnen. NIET ROKEN.

Deze barbecue is ontworpen voor gebruik buitenshuis, uit de buurt van alle brandbare materialen. Het is belangrijk dat er zich geen belemmeringen boven bevinden en dat er een minimale afstand van 1 meter tot de zijkant of de achterkant van het apparaat is. Het is belangrijk dat de ventilatieopeningen van het apparaat niet worden belemmerd. De barbecue moet op een vlakke, stabiele ondergrond worden gebruikt. Het apparaat moet worden beschermd tegen rechtstreekse tocht en moet worden geplaatst of beschermd tegen rechtstreeks contact met sijpelend water.

Onderdelen die door de fabrikant of zijn vertegenwoordiger zijn verzegeld, mogen niet door de gebruiker worden aangepast. Er mogen geen wijzigingen worden aangebracht aan enig onderdeel van deze barbecue en reparaties en onderhoud mogen alleen worden uitgevoerd door een geautoriseerde servicemonteur.

AANSLUITING OP HET APPARAAT

Controleer voor het aansluiten van het apparaat of er geen vuil in de kop van de gascilinder, de regelaar, de brander en de branderpoorten vastzit. Spinnen

en insecten kunnen zich nestelen in de brander/venturibuis en deze verstopten bij de opening. Een verstopte brander kan leiden tot een brand in het onderste gedeelte van het apparaat. Bevestig de slang aan het apparaat met een moersleutel om deze vast te zetten op de aansluitschroefdraad. Als de slang wordt vervangen, moet deze met slangklemmen aan het apparaat en de regelaaraansluitingen worden bevestigd. Koppel de regelaar los van de cilinder (volgens de bij de regelaar meegeleverde aanwijzingen) als de barbecue niet in gebruik is. De barbecue moet in een goed geventileerde ruimte worden gebruikt. Blokkeer de toevoer van verbrandingslucht naar de brander niet als de barbecue in gebruik is. **GEBRUIK DEZE BARBECUE ALLEEN BUITENSCHUITS.**

CONTROLEER VOOR GEBRUIK OP LEKKAGES

Controleer nooit op lekkages met open vuur: gebruik altijd een zeepoplossing.

CONTROLLEREN OP LEKKAGES

Maak 4-6 eetlepels lekdetectievloeistof door een deel afwasmiddel te mengen met 3 delen water. Zorg ervoor dat het regelventiel op 'UIT' staat. Sluit de regelaar aan op de cilinder en het AAN/UIT-ventiel op de brander, zorg ervoor dat de aansluitingen goed vastzitten en zet vervolgens het gas AAN. Breng de zeepoplossing aan op de slang en op alle verbindingen. Als er luchtbellen verschijnen, heeft u een lek, dat vóór gebruik moet worden verholpen. Herhaal de test na het verhelpen van de storing. Schakel het gas bij de cilinder UIT na het testen. Als er een lekkage wordt gedetecteerd en deze niet kan worden verholpen: probeer het lek niet te verhelpen en neem contact op met uw gasleverancier!

GEBRUIKSINSTRUCTIE

Monteer de barbecue zorgvuldig volgens de instructies. Sluit de gasslang aan op de barbecue. Sluit de regelaar aan op de slang. Sluit de regelaar aan op het cilinderventiel volgens de bij de regelaar geleverde instructies. Draai alle bedieningsknoppen op de stand 'UIT' voordat u de gastoevoer naar het apparaat inschakelt. Bedien de regelaar volgens de bij de regelaar geleverde instructies.

UW BARBECUE AANSTEKEN (HOOFDBRANDER)

AANSTEEK INSTRUCTIES

MODEL G2082 / X88-000010

1. Open de kap.
2. Draai alle bedieningsknoppen met de klok mee naar de "OFF" positie.
3. Sluit de gasdrukregelaar aan op de gasfles. Draai de gastoevoer open "ON" op de gasfles. Check door middel van het gebruik van zeepwater op gaslekkage tussen de fles en de gasdrukregelaar.
4. Druk de linker bedieningsknop in en draai hem tegen de klok in, linksom naar de stand "Volledig aan" terwijl u de piëzo-ontstekingsknop 4 of

5 keer in drukt. Dit zal de brander aansteken. Controleer of de brander is aangestoken. Zo niet, herhaal dan dit proces.

- Als de brander na het opnieuw proberen niet brandt, wacht u 5 minuten en herhaalt u stap 3.
- Pas de vlamhoogte aan door de knop in de High/Low-stand te draaien.
- Als de brander niet aan gaat, steek dan het apparaat aan met een lucifer via het aansteek gat aan de zijkant van het apparaat.
- Om de rechter brander aan te steken, draait u de rechter bedieningsknop naar de volledig aan stand, deze wordt aangestoken via de linker brander. Steek het apparaat altijd aan van de linker brander naar de rechterkant.
- Om de barbecue UIT te zetten: Sluit de gasfleskraan en draai vervolgens de bedieningsknoppen op het apparaat met de klok mee naar de 'OFF' positie.

MODEL G9003B / X88-000020

- Open de kap.
- Draai alle bedieningsknoppen met de klok mee naar de "OFF" positie.
- Sluit de gasdrukregelaar aan op de gasfles. Draai de gastoevoer open "ON" op de gasfles. Check door middel van het gebruik van zeepwater op gaslekage tussen de fles en de gasdrukregelaar
- Druk op de tweede bedieningsknop, herkenbaar aan het bliksemsymbool (⚡) en draai deze tegelijkertijd naar "HI". Door dit te doen, moet de ontsteking vonken en de hoofdbrander ontsteken.
- U kunt de andere branders aansteken wanneer het signaal (⚡) lampje van de hoofdbrander oplicht en aangeeft dat deze brandt.
- Als het aansteek proces niet werkt, draai de knop dan naar "OFF", wacht even en herhaal stap 4.
- Stel de vlam in op de gewenste sterkte met behulp van de bedieningsknop.
- Om de barbecue uit te zetten, zet u het gas of de regulator direct uit en zet u alle bedieningselementen weer op "OFF".

WAARSCHUWING: als de brander niet ontsteekt, draait u de bedieningsknop uit (met de klok mee) en draait u ook de gasfleskraan uit. Wacht vijf minuten voordat u probeert opnieuw aan te steken met de ontstekingssequentie.

REINIGING EN ONDERHOUD

LET OP: Alle reiniging en onderhoud moet worden uitgevoerd als de barbecue koel is en de brandstoftoevoer naar de gascilinder op UIT is gezet.

REINIGING

Het 'afbranden' van de barbecue na elk gebruik (gedurende ca. 15 minuten) zal overmatige voedselresten tot een minimum beperken.

BUITENKANT

Gebruik een mild reinigingsmiddel of bakpoeder en een heetwateroplossing. Krasvrij schuurpoeder kan worden gebruikt op hardnekkige vlekken en vervolgens worden afgespoeld met water. Als het erop lijkt dat de verf van de binnenkant van het barbecuedecksel begint af te bladderen, dan is dat aangebakken vetophoping dat in koolstof is veranderd en afschilfert. Reinig grondig met een sterke hete zeepoplossing. Spoel met water en laat het goed drogen. GEBRUIK NOOIT OVENREINIGER.

BINNENKANT VAN HET BARBECUEONDERSTEL

Verwijder de resten met behulp van een borstel, een schraper en/of een reinigingsdoekje en was deze vervolgens met een zeepoplossing. Spoel met water en laat het drogen.

ROOSTER VOOR HET KOKEN

Gebruik een milde zeepoplossing. Krasvrij schuurpoeder kan worden gebruikt op hardnekkige vlekken en vervolgens worden afgespoeld met water.

REINIGING VAN DE BRANDERINSTALLATIE

Zet het gas UIT met de bedieningsknop en ontkoppel de cilinder. Verwijder het afgekoelde rooster. Maak de brander schoon met een zachte borstel of blaas hem schoon met perslucht en veeg hem af met een doek. Maak verstopte openingen schoon met een pijpenrager of stevige draad (zoals een geopende paperclip). Controleer de brander op eventuele schade (scheuren of gaten). Als er schade wordt geconstateerd, vervang hem dan door een nieuwe brander. Monteer de brander opnieuw, controleer of de gasventielopeningen correct gepositioneerd en geborgd zijn in de branderinlaat (venturi).

ONDERHOUD

Uw gasbarbecue moet jaarlijks worden onderhouden door een bevoegde en geregistreerde vakman.

HET MILIEU

Wanneer dit product het einde van zijn levensduur heeft bereikt, inleveren bij een inzamelpunt voor hergebruik van elektrische en elektronische apparatuur. Let op de verwijzingen en symbolen op het product, in de instructie of op de verpakking. Neem contact op met uw gemeente voor het adres van het daarvoor bestemde inzamelpunt in uw buurt.

D BARBECUE

WICHTIG

– Lesen Sie die folgenden Anweisungen sorgfältig durch und stellen Sie sicher, dass Ihr Grill ordnungsgemäß zusammengesetzt und gepflegt ist. Die Nichtbefolgung dieser Anweisungen kann zu schweren Körperverletzungen und /

oder Sachschäden führen. BEWAHREN SIE DIESE ANWEISUNGEN ZUM SPÄTEREN NACHSCHLAGEN AUF.

- Wenn Sie Fragen zum Zusammenbau oder zum Betrieb dieses Produkts haben, wenden Sie sich an Ihren Händler oder LP-Gaslieferanten.
- Stellen Sie sicher, dass der Grill und die Gasflasche immer auf einer ebenen Fläche stehen.
- Zünden Sie den Grill niemals an, wenn die HAUBE geschlossen ist.
- Den Seitenbrenner niemals anzünden oder benutzen, wenn die Haube geschlossen ist.
- Ihr Grill kann an eine Gasflasche von 6 bis 11 kg angeschlossen werden.
- Beim Anzünden des Grills sind folgende Abstände unbedingt zu beachten:
- Seiten und Rückseite des Geräts: 1 Meter von Hindernissen entfernt.
- Über dem Gerät: ES SIND KEINE ÜBERKOPFBEHINDERUNGEN ZULÄSSIG.
- NUR IM FREIEN VERWENDEN.
- **WARNUNG:** TEILE DES GRILLS KÖNNEN SEHR HEISS SEIN. BITTE HALTEN SIE KINDER FERN.
- BEWEGEN SIE DEN GRILL NICHT WÄHREND DER NUTZUNG.

WENN SIE GAS RIECHEN

- Den Gaseinlass zum Grill schließen
- Löschen Sie alle offenen Flammen
- Grillhaube öffnen
- Wenn der Geruch weiterhin besteht, halten Sie sich vom Gerät fern und rufen Sie sofort Ihren Gasversorger oder Ihre Feuerwehr an.
- Lagern Sie Propan-LPG-Flaschen nicht innerhalb von 4 m von diesem Gerät.
- Lagern oder verwenden Sie kein Benzin oder andere Flüssigkeiten mit brennbaren Dämpfen innerhalb von 8 m Entfernung von diesem oder einem ähnlichen Gerät.
- Gasflaschen (die nicht zur Verwendung angeschlossen sind) dürfen niemals in der Nähe dieses oder eines ähnlichen Geräts gelagert werden.

WARNHINWEISE

- Dieser Grill ist nur für den Außenbereich bestimmt und darf nicht in Gebäuden, Garagen oder anderen geschlossenen Räumen verwendet werden.
- Dieser Grill ist NICHT für den gewerblichen Gebrauch bestimmt.
- Dieser Grill darf nur mit Propan LP GAS MIXTURE verwendet werden. Die Verwendung von Erdgas oder die Umwandlung des Produkts ist gefährlich.

4. LP-Gaseigenschaften:
 - a. Flüssiggas ist bei unsachgemäßer Handhabung brennbar und gefährlich. Lesen Sie die Produktspezifikationen sorgfältig durch, bevor Sie LP-Gasprodukte verwenden.
 - b. Flüssiggas ist unter Druck explosiv, schwerer als Luft und setzt sich in niedrigen Bereichen ab.
 - c. Flüssiggas hat in seinem natürlichen Zustand keinen Geruch. Zur Sicherheit wird ein Geruchsstoff hinzugefügt, der nach faulem Kohl riecht.
 - d. Kontakt mit Flüssiggas kann zu Verbrennungen auf der Haut führen.
5. Die Gasflasche muss mit einem Ventil ausgestattet sein.
6. Die Gasflasche muss zum Schutz des Ventils mit einem Kragen ausgestattet sein.
7. Verwenden Sie niemals eine Propan-LP-Gasflasche mit einem beschädigten Körper, Ventil, Kragen oder Boden.
8. Verbeulte oder verrostete Flüssig-Gasflaschen können gefährlich sein und sollten vor der Verwendung von Ihrem Flüssiggaslieferanten überprüft werden.
9. Die LP-Gasflasche darf nicht fallen gelassen oder grob gehandhabt werden.
10. Die LP-Gasflasche muss im Freien außerhalb der Reichweite von Kindern gelagert werden und darf nicht in einem Gebäude, einer Garage oder einem anderen geschlossenen Bereich gelagert werden. LP-Gasflaschen dürfen niemals dort gelagert werden, wo Temperaturen über 50°C liegen können.
11. Bewahren Sie eine gefüllte LP-Gasflasche niemals in einem heißen Auto oder Kofferraum auf. Durch Hitze steigt der Gasdruck an, wodurch sich das Überdruckventil öffnen und Gas entweichen kann.
12. Versuchen Sie niemals, diesen Grill an das in sich geschlossene Flüssiggas-System eines Wohnmobils anzuschließen.
13. Der Konsum von Alkohol, verschreibungspflichtigen oder nicht verschreibungspflichtigen Medikamenten kann die Fähigkeit des Verbrauchers beeinträchtigen, dieses Gerät ordnungsgemäß zusammenzubauen oder sicher zu bedienen.
14. Verwenden Sie für dieses Produkt niemals Holzkohle, Feuerzugeschmelze, Lavasteine, Benzin, Paraffin oder Alkohol.
15. Überprüfen Sie das Gerät auf schadhafte Stellen, auch wenn es von einer anderen Person zusammengebaut wurde.
16. Benutzen Sie das Produkt nicht, wenn Gas austritt. Gaslecks können einen Brand oder Explosionen verursachen.
17. Sie müssen vor jedem Betrieb eine Dichtheitsprüfung durchführen. Um Brand- oder Explosionsgefahr bei der Prüfung auf Undichtigkeiten zu vermeiden:
 - a. Führen Sie immer eine Dichtheitsprüfung durch, bevor Sie den Grill anzünden und jedes Mal, wenn die Gasflasche zur Verwendung angeschlossen wird.
 - b. Rauchen verboten. Halten Sie sich bei der Durchführung einer Dichtheitsprüfung von Zündquellen fern.
 - c. Führen Sie die Dichtheitsprüfung im Freien an einem gut belüfteten Ort durch.
 - d. Verwenden Sie keine Streichhölzer, Feuerzeuge oder Flammen, um nach Undichtigkeiten zu suchen.
 - e. Verwenden Sie den Grill erst, wenn alle Undichtigkeiten behoben sind. Wenn Sie das Leck nicht beheben können, trennen Sie den Grill von der LP-Gasversorgung.
18. Lagern oder verwenden Sie kein Benzin, andere brennbare Flüssigkeiten oder Dämpfe in einem Umkreis von 8 m um dieses Gerät.
19. Nicht in explosionsgefährdeten Bereichen verwenden. Halten Sie den Grillbereich frei, vor allem von brennbaren Materialien.
20. Halten Sie alle brennbaren Gegenstände und Oberflächen immer mindestens 1 m vom Grill entfernt. Verwenden Sie diesen Grill oder ein Gasprodukt nicht unter einer Überdachung oder in der Nähe von ungeschützten brennbaren Strukturen.
21. Das Grillventil, die Brenner und die Lüftungsöffnungen müssen unbedingt sauber gehalten werden. Überprüfen Sie den Grill vor jedem Gebrauch.
22. Nehmen Sie keine Änderungen am Grill vor.
23. Verwenden Sie den Grill nur, wenn er VOLLSTÄNDIG zusammengebaut ist und alle Teile sicher befestigt sind.
24. Dieser Grill sollte regelmäßig gründlich gereinigt und überprüft werden. Reinigen und überprüfen Sie immer den Schlauch, bevor Sie das Gerät verwenden. Wenn Abrieb, Verschleiß, Schnitte oder Undichtigkeiten erkennbar sind, muss der Schlauch vor Inbetriebnahme des Geräts ausgetauscht werden.
25. Verwenden Sie nur betrieblich autorisierte Ersatzteile. Die Verwendung von Teilen, die nicht vom Hersteller zugelassen sind, kann gefährlich sein.
26. Verwenden Sie dieses Gerät nicht, ohne den Abschnitt „Gebrauchsanweisung“ dieses Handbuchs gelesen zu haben.
27. Um Verbrennungen zu vermeiden, berühren Sie keine Metallteile des Grills, bis dieser vollständig abgekühlt ist (ca. 45 Minuten).
28. Beim Grillen sollten Feuerlöschgeräte leicht zugänglich sein. Versuchen Sie im Falle eines Fettbrandes nicht, mit Wasser zu löschen. Verwenden Sie einen Trockenlöscher vom Typ ABC oder ersticken Sie die Flammen mit Schmutz, Sand oder Backpulver.
29. Nicht in Booten oder Freizeitfahrzeugen einbauen oder verwenden.
30. Verwenden Sie den Grill nicht bei starkem Wind.
31. Beugen Sie sich beim Anzünden niemals über den Grill.
32. Lassen Sie einen angezündeten Grill nicht unbeaufsichtigt. **WARNUNG!** Halten Sie Kinder und Haustiere immer vom Grill fern.
33. Versuchen Sie nicht, den Grill während des Gebrauchs zu bewegen. Lassen Sie den Grill abkühlen, bevor Sie ihn zum Lagern wegtragen.
34. Der Grill kann NUR in Innenräumen gelagert werden. Entfernen Sie dafür die Gasflasche vom Grill und lagern Sie diesen ordnungsgemäß im Freien.
35. Öffnen Sie die Haube des Grills immer vorsichtig und langsam, da die darunter eingeschlossene Hitze und der Dampf Sie schwer verbrennen können.
36. Versuchen Sie nicht, den Gasregler von der Gasflasche oder anderen Gasanschlüssen zu trennen, während der Grill in Betrieb ist.
37. Stellen Sie den Grill immer auf eine harte und ebene Fläche. Die Oberfläche sollte einem Temperaturanstieg von 50°C standhalten können.
38. Gehen Sie bei Holzböden äußerst vorsichtig vor.
39. Gasschläuche so weit wie möglich von heißen Oberflächen und tropfendem heißem Fett fernhalten.
40. Halten Sie alle Stromkabel von einem heißen Grill fern.
41. Verwenden Sie den Grill nicht zum Kochen oder Heizen in Innenräumen. Giftige Dämpfe können sich ansammeln und Erstickung verursachen.
42. Nach einer gewissen Zeit der Lagerung und / oder Nichtbenutzung auf Undichtigkeiten und Verstopfungen

des Brenners prüfen und den Schlauch auf Abrieb, Verschleiß und Schnitte untersuchen.

43. Wenn die Grillhaube beim Anzünden nicht geöffnet ist oder nicht 5 Minuten gewartet wird, bis das Gas klar ist, kann dies zu einer explosiven Flamme führen.
44. Wenn der Grill nicht benutzt wird, muss das Gas an der Gasflasche und am Regler abgestellt werden.
45. Benutzen Sie den Grill niemals ohne installierte Heizplatten.
46. Lagern Sie keine LP-Ersatz-Gasflaschen unter oder in der Nähe des Grills.
47. Wenn der Schlauch ersetzt werden muss, verwenden Sie den angegebenen Typ und die angegebene Länge.
48. Stellen Sie die Gasflasche so neben den Grill, dass sich der Schlauch nicht verdreht.
49. Stellen Sie sicher, dass Sie sich von jeder Zündquelle fernhalten, wenn Sie die LP-Propan-Gasflasche wechseln.
50. Jede Änderung des Geräts kann gefährlich sein.
51. Tod, schwere Verletzungen oder Sachschäden können auftreten, wenn Sie die obigen Anweisungen und Warnungen nicht genau befolgen.

PRODUKTSPEZIFIKATIONEN

GERÄTENUMMER: X88-000010 / MODELL: G2082	
GESAMTVERLEHRLEISTUNG (ALLE GASKATEGORIEN)	5,5 kW (400 g/Std)
GASKATEGORIE	I3B/P (30)
GASARTEN	PROPAN LP GAS MISCHUNGEN
GASDRUCK	30 mBar
VENTILGRÖSSE	PRIMÄR: 0,84 mm
IDENTIFIKATIONSCODE	2575DM28150
WARNUNG: TEILE DES GRILLS KÖNNEN SEHR HEISS SEIN. HALTEN SIE KINDER FERN. LESEN SIE ALLE ANWEISUNGEN DURCH, BEVOR SIE DAS GERÄT VERWENDEN.	
FÜR DEN GEBRAUCH IM FREIEN UND IN GUT BELÜFTETEN BEREICHEN.	
ZÜNDUNG HAUPTBRENNER: PIEZO-ZÜNDUNG. SPEZIFISCHES, ZU VERWENDENDEN GAS: PROPAN (BEI 30 mBar).	
GERÄTENUMMER: X88-000020 / MODELL: G9003B	
GESAMTVERLEHRLEISTUNG (ALLE GASKATEGORIEN)	8,4 kW (611 g/Std)
GASKATEGORIE	I3B/P (30)
GASARTEN	PROPAN LP GAS MISCHUNGEN
GASDRUCK	30 mBar
VENTILGRÖSSE	PRIMÄR: 0,82 mm
IDENTIFIKATIONSCODE	2575DM28150
WARNUNG: TEILE DES GRILLS KÖNNEN SEHR HEISS SEIN. HALTEN SIE KINDER FERN. LESEN SIE ALLE ANWEISUNGEN DURCH, BEVOR SIE DAS GERÄT VERWENDEN.	
FÜR DEN GEBRAUCH IM FREIEN UND IN GUT BELÜFTETEN BEREICHEN.	
ZÜNDUNG HAUPTBRENNER: PIEZO-ZÜNDUNG. SPEZIFISCHES, ZU VERWENDENDEN GAS: PROPAN (BEI 30 mBar).	

ZUSAMMENBAU

ANSCHLUSS DER GASFLASCHE AN DAS GERÄT

Dieses Gerät ist nur zur Verwendung mit Niederdruck-Propangas (LPG-Gemischen) geeignet, das mit einem flexiblen Schlauch und entsprechendem Niederdruckregler ausgestattet ist. Der Schlauch sollte mit Schlauchklemmen am Regler und am Gerät befestigt werden. Dieser Grill ist für den

Betrieb eines 30-mbar-Reglers mit LPG-Gemischen ausgelegt. Bitte wenden Sie sich an Ihren LPG-Händler, um Informationen zu einem geeigneten Regler für die Gasflasche zu erhalten.

REGLER UND SCHLAUCH

Diese Artikel werden nicht mit dem Grill geliefert. Diese können bei Ihrem Gerätehändler oder einem autorisierten Flüssiggasversorger gekauft werden. Verwenden Sie nur Regler und Schläuche, die für Flüssiggas mit dem oben genannten Gasdruck zugelassen sind. Die Lebenserwartung des Regulators wird auf 10 Jahre geschätzt. Es wird empfohlen, den Regler innerhalb von 10 Jahren nach Herstellungsdatum auszuwechseln. Die Verwendung des falschen Reglers oder Schlauchs ist nicht sicher. Überprüfen Sie immer, ob Sie die richtigen Artikel haben, bevor Sie den Grill bedienen. Abgenutzte oder beschädigte Schläuche müssen ersetzt werden. Stellen Sie sicher, dass der Schlauch nicht verstopft, geknickt oder mit einem anderen Teil des Grills als dem Anschluss verbunden ist. Der verwendete Schlauch muss der, für das Verwendungsland, geltenden Norm entsprechen.

LAGERUNG DES GERÄTS

Die Lagerung des Geräts in Innenräumen ist nur zulässig, wenn die Gasflasche vom Gerät getrennt wurde. Wenn das Gerät längere Zeit nicht benutzt wird, sollte es in der Originalverpackung und in einer trockenen und staubfreien Umgebung gelagert werden.

GASFLASCHE

Die Gasflasche darf nicht fallen gelassen oder grob gehandhabt werden! Wenn das Gerät nicht benutzt wird, muss die Gasflasche vom Grill getrennt werden. Setzen Sie die Schutzkappe wieder auf die Gasflasche, nachdem Sie diese vom Gerät getrennt haben. Die Gasflaschen müssen aufrecht im Freien und außerhalb der Reichweite von Kindern gelagert werden. Die Gasflasche darf niemals an Orten gelagert werden, an denen Temperaturen über 50°C erreicht werden können. Lagern Sie die Gasflasche nicht in der Nähe von Flammen, Zündflammen oder anderen Zündquellen. NICHT RAUCHEN.

Dieser Grill ist für den Einsatz im Freien vorgesehen, fern von brennbaren Materialien. Es ist wichtig, dass sich nichts über dem Grill befindet und dass ein Mindestabstand von 1 Meter von der Seite oder Rückseite des Geräts eingehalten wird. Es ist wichtig, dass die Lüftungsöffnungen des Geräts nicht blockiert werden. Der Grill muss auf einer ebenen, stabilen Oberfläche verwendet werden. Das Gerät sollte vor direkter Zugluft geschützt und gegen direkten Kontakt mit tropfendem Wasser geschützt werden.

Vom Hersteller oder einem Vertreter versiegelte Teile dürfen vom Benutzer nicht verändert werden. An keinem Teil dieses Grills sollten Änderungen

vorgenommen werden. Reparaturen und Wartungen sollten nur von einem autorisierten Techniker durchgeführt werden.

VERBINDUNG ZUM GERÄT

Stellen Sie vor dem Anschließen des Geräts sicher, dass sich keine Fremdkörper oder Schmutz im Kopf der Gasflasche, des Reglers, des Brenners und der Brenneranschlüsse befinden. Spinnen und Insekten können in der Brenner- / Venturi-Röhre an der Öffnung nisten und diese verstopfen. Ein verstopfter Brenner kann zu einem Brand im unteren Teil des Geräts führen. Befestigen Sie den Schlauch mit einem Schraubenschlüssel am Gerät und ziehen Sie das Verbindungsgewinde fest. Wenn der Schlauch ausgetauscht wurde, muss er mit Schlauchklemmen am Gerät und an den Regleranschlüssen befestigt werden. Trennen Sie den Regler von der Gasflasche (gemäß den, mit dem Regler, gelieferten Anweisungen), wenn der Grill nicht benutzt wird. Der Grill muss in einem gut belüfteten Bereich verwendet werden. Den Verbrennungsluftstrom zum Brenner nicht behindern, wenn der Grill benutzt wird. BENUTZEN SIE DIESEN GRILL NUR IM FREIEN.

VOR DEM GEBRAUCH AUF UNDICHTHEIT STELLEN PRÜFEN

Niemals mit offener Flamme auf Undichtheit prüfen: Verwenden Sie immer eine Seifenwasserlösung.

AUF UNDICHTHEIT STELLEN PRÜFEN

Erstellen Sie 55-85ml Flüssiglösung, indem Sie einen Teil Spülmittel mit 3 Teilen Wasser mischen. Stellen Sie sicher, dass das Regelventil auf „OFF“ steht. Schließen Sie den Regler an die Gasflasche und das EIN / AUS-Ventil an den Brenner an, stellen Sie sicher, dass die Verbindungen sicher sind, und schalten Sie das Gas ein. Tragen Sie die Seifenlösung auf den Schlauch und alle Verbindungen auf. Wenn Blasen auftreten, liegt ein Leck vor, das vor dem Gebrauch behoben werden muss. Nach der Behebung des Fehlers erneut testen. Schalten Sie das Gas an der Flasche nach dem Test aus. Wenn ein Leck festgestellt wird und nicht behoben werden kann: Versuchen Sie nicht, das Leck selbst zu beheben, sondern wenden Sie sich an Ihren Gashändler!

BEDIENUNGSANLEITUNG

Bauen Sie den Grill sorgfältig gemäß den Anweisungen zusammen. Schließen Sie den Gasschlauch an den Grill an. Schließen Sie den Regler an den Schlauch an. Schließen Sie den Regler gemäß den mit dem Regler mitgelieferten Regler-Anweisungen an das Flaschenventil an. Drehen Sie alle Bedienungsknöpfe auf „OFF“, bevor Sie die Gasversorgung des Geräts einschalten. Benutzen Sie den Regler gemäß den mit dem Regler mitgelieferten Anweisungen.

ANZÜNDEN DES GRILLS (HAUPTBRENNER)

ANLEITUNG ZUM ANZÜNDEN

MODELL G2082 / X88-000010

1. Öffnen Sie die Haube.
2. Drehen Sie alle Bedienschalter auf die Position „OFF“.
3. Schließen Sie den Gasdruckregler an die Gasflasche und an das Gerät an. Drehen Sie die Gaszufuhr an der Gasflasche auf „ON“. Überprüfen Sie mit Seifenlauge, ob es mögliche Gaslecks zwischen der Flasche und dem Gasdruckregler gibt.
4. Schieben Sie den linken Bedienschalter nach unten und drehen Sie ihn gegen den Uhrzeigersinn in die Position „Full rate“, während Sie den Piezo-Zündschalter vier oder fünf Mal auslösen. Dadurch wird der Brenner angezündet. Überprüfen Sie, ob der Brenner brennt. Falls nicht, wiederholen Sie den Vorgang.
5. Wenn der Brenner nach wiederholten Versuchen nicht brennt, warten Sie fünf Minuten und wiederholen Sie Schritt 3.
6. Stellen Sie die Temperatur ein, indem Sie den Schalter in die Position High/Low drehen.
7. Wenn sich der Brenner nicht entzündet, zünden Sie das Gerät mit einem Streichholz an, indem Sie die Öffnung auf der Geräteseite verwenden.
8. Um den rechten Brenner zu entzünden, drehen Sie den rechten Bedienschalter auf die höchste Stufe, dadurch wird der linke Brenner entzündet. Zünden Sie das Gerät immer vom linken Brenner zur rechten Seite an.
9. Den Grill abschalten: Schließen Sie die Gaszufuhr und drehen Sie die Bedienschalter am Gerät im Uhrzeigersinn auf die Position „OFF“.

MODELL G9003B / X88-000020

1. Öffnen Sie die Haube.
2. Drehen Sie alle Bedienschalter auf die Position „OFF“.
3. Schließen Sie den Gasdruckregler an die Gasflasche und an das Gerät an. Drehen Sie die Gaszufuhr an der Gasflasche auf „ON“. Überprüfen Sie mit Seifenlauge, ob es mögliche Gaslecks zwischen der Flasche und dem Gasdruckregler gibt.
4. Drücken Sie die zweite Taste, die durch das Blitzsymbol (⚡) gekennzeichnet ist, und drehen Sie sie gleichzeitig auf "HI". Auf diese Weise sollte die Zündung den Hauptbrenner entzünden.
5. Sie können die anderen Brenner entzünden, wenn das Signal (⚡) des Hauptbrenners leuchtet.
6. Wenn der Zündungsprozess nicht funktioniert, drehen Sie den Schalter auf "OFF", warten Sie einen Moment und wiederholen Sie Schritt 4.
7. Stellen Sie die Flamme mit der Reglertaste auf die gewünschte Stärke ein.
8. Um den Grill auszuschalten, schalten Sie das Gas oder den Regler direkt aus und drehen Sie alle Bedienschalter wieder auf "OFF".

ACHTUNG: Wenn sich der Brenner nicht entzündet, drehen Sie den Bedienschalter im Uhrzeigersinn und verschließen Sie auch das Ventil an der Gasflasche. Warten Sie fünf Minuten, bevor Sie die Zündfolge erneut starten.

REINIGUNG UND PFLEGE

VORSICHT: Alle Reinigungs- und Wartungsarbeiten sollten durchgeführt werden, wenn der Grill abgekühlt ist und die Gaszufuhr an der Gasflasche abgeschaltet ist.

REINIGUNG

Durch „Abbrennen“ des Grills nach jedem Gebrauch (ca. 15 Minuten) werden übermäßige Speisereste auf ein Minimum reduziert.

AUSSENFLÄCHE

Verwenden Sie ein mildes Reinigungsmittel oder Backpulver und eine Heißwasserlösung. Ein mildes Scheuermittel kann bei hartnäckigen Flecken verwendet und anschließend mit Wasser abgespült werden. Wenn die Innenfläche der Grillhaube wie abblätternde Farbe aussieht, hat sich beim Aufbrennen von Fett angesammelter Stoff in Kohlenstoff verwandelt und blättert ab. Mit starker heißer Seifenwasserlösung gründlich reinigen. Mit Wasser abspülen und vollständig trocknen lassen. NIEMALS OFENREINIGER VERWENDEN.

INNENBEREICH DES GRILLS

Entfernen Sie Rückstände mit Bürste, Schaber und / oder Reinigungspad und benutzen Sie anschließend eine Seifenwasserlösung. Mit Wasser abspülen und trocknen lassen.

GRILLGITTER

Verwenden Sie eine milde Seifenwasserlösung. Bei hartnäckigen Flecken kann ein mildes Reinigungsmittel angewendet und anschließend mit Wasser abgespült werden.

REINIGEN DER BRENNER-VORRICHTUNG

Schalten Sie das Gas mit dem Bedienungsknopf aus und trennen Sie die Gasflasche. Abgekühlten Rost entfernen. Reinigen Sie den Brenner mit einer weichen Bürste oder benutzen Sie Druckluft und wischen Sie ihn anschließend mit einem Tuch ab. Reinigen Sie verstopfte Öffnungen mit einem Pfeifenreiniger oder einem steifen Draht (z. B. einer geöffneten Büroklammer). Untersuchen Sie den Brenner auf Beschädigungen (Risse oder Löcher). Wenn Schäden festgestellt werden, ersetzen Sie diesen durch einen neuen Brenner. Den Brenner wieder einbauen und sicherstellen, dass die Gasventilöffnungen richtig positioniert und im Brennereinfluss (Venturi) gesichert sind.

INSTANDHALTUNG

Ihr Gasgrill sollte jährlich von einem kompetenten und registrierten Fachmann geprüft werden.

DIE UMWELT

Wenn dieses Produkt am Ende seiner Nutzungsdauer ist, sollte es bei einem Sammelpunkt für Recycling von elektrischen und elektronischen Geräten eingeliefert werden. Bitte beachten Sie die Symbole auf dem Produkt, auf der Gebrauchsanleitung oder der Verpackung. Kontaktieren Sie Ihre Gemeinde für die Adresse der entsprechenden Sammelstelle in Ihrer Nähe.

F

BARBECUE

IMPORTANT:

- Lisez attentivement les consignes suivantes et assurez-vous que votre barbecue est correctement installé, assemblé et entretenu. Le non-respect de ces consignes peut entraîner des blessures corporelles et/ou des dommages matériels graves. CONSERVEZ CE MANUEL D'UTILISATION POUR UNE RÉFÉRENCE FUTURE.
- En cas de questions concernant l'assemblage ou l'utilisation de ce produit, veuillez consulter votre vendeur ou votre fournisseur de GPL.
- Vérifiez que l'appareil et la bouteille de GAZ sont placés verticalement sur une surface plane lors de leur utilisation au sol.
- N'allumez jamais l'appareil lorsque le CAPOT est fermé.
- N'allumez et n'utilisez jamais le brûleur latéral lorsque le capot est fermé.
- Le barbecue peut être utilisé avec une bouteille de gaz d'une contenance de 6 à 11 kg.
- Lors de l'allumage du barbecue, laissez un espace libre en respectant les distances suivantes :
- Côtés et arrière de l'appareil : 1 mètre libre de toute obstruction.
- Dessus de l'appareil : LE DESSUS DE L'APPAREIL NE DOIT JAMAIS ÊTRE OBSTRUÉ.
- UTILISEZ L'APPAREIL À L'EXTÉRIEUR UNIQUEMENT.
- **ATTENTION:** LES ÉLÉMENTS FACILES D'ACCÈS PEUVENT ÊTRE TRÈS CHAUDS. GARDEZ HORS DE PORTÉE DES ENFANTS.
- NE DÉPLACEZ PAS L'APPAREIL PENDANT LA CUISSON

SI VOUS DÉTECTEZ UNE ODEUR DE GAZ

- Coupez l'arrivée de gaz du barbecue
- Éteignez toutes les flammes nues
- Ouvrez le capot
- Si l'odeur persiste, restez à distance de l'appareil et appelez immédiatement votre fournisseur de gaz ou les services d'incendie.
- Ne placez pas de bouteilles de GPL propane à moins de 4 mètres autour de l'appareil.

- Veillez à ne pas placer et utiliser d'essence ou d'autres liquides dégageant des vapeurs inflammables dans un rayon de 8 mètres autour de cet appareil ou de tout autre appareil semblable.
- Les bouteilles de gaz (non raccordées pour utilisation) ne doivent jamais être rangées à proximité de cet appareil ou de tout autre appareil semblable.

AVERTISSEMENTS

1. Ce barbecue est destiné à un usage extérieur uniquement et ne doit jamais être utilisé dans un bâtiment, un garage ou tout autre espace clos.
2. Ce barbecue n'est PAS destiné à un usage commercial.
3. Ce barbecue doit uniquement être utilisé avec des MÉLANGES DE GPL composés de propane. L'utilisation de gaz naturel ou la modification de l'appareil pour permettre l'utilisation de ce gaz est dangereuse.
4. Caractéristiques du GPL :
 - a. Le GPL est inflammable et dangereux s'il n'est pas manipulé avec précaution. Lisez attentivement les spécifications avant d'utiliser tout produit GPL.
 - b. Le GPL est explosif lorsqu'il est sous pression et plus lourd que l'air et peut s'accumuler sous forme de flaque dans les parties basses.
 - c. À l'état naturel, le GPL est inodore. Pour des raisons de sécurité, un additif odorant similaire à du chou pourri y est ajouté.
 - d. Le contact de la peau avec le GPL peut provoquer l'apparition de gelures.
5. La bouteille de gaz doit être équipée d'une soupape.
6. La bouteille de gaz doit être équipée d'un col protégeant la soupape.
7. N'utilisez jamais une bouteille de GPL propane dont le corps, la soupape, le col ou la base est endommagé.
8. Les bouteilles de GPL propane abîmées ou rouillées peuvent être dangereuses et doivent être contrôlées par votre fournisseur de GPL avant leur utilisation.
9. La bouteille de GPL ne doit pas tomber ou être manipulée brusquement.
10. Stockez votre bouteille de GPL à l'extérieur, hors de portée des enfants et ne la rangez pas dans un bâtiment, un garage ou tout autre espace clos. Ne stockez jamais votre bouteille de GPL dans un espace où les températures peuvent dépasser les 50°C.
11. Ne gardez jamais une bouteille de GPL pleine dans une voiture ou un coffre

sous des températures élevées. La chaleur provoque une augmentation de la pression du gaz, ce qui peut ouvrir la soupape de décharge et permettre au gaz de s'échapper.

12. N'essayez jamais de raccorder le barbecue à l'installation GPL d'une caravane, d'un camping-car ou d'une maison.
13. La consommation d'alcool ou de médicaments, prescrits ou non, peut entraver la capacité du consommateur à assembler correctement cet appareil ou à l'utiliser prudemment.
14. N'utilisez jamais de charbon de bois, d'essence à briquet, de pierre de lave, d'essence, de kérosène ou d'alcool avec ce produit.
15. Vérifiez que votre installation ne présente aucune fuite, même si vous ne l'avez pas assemblée vous-même.
16. N'utilisez pas le produit s'il présente une fuite de gaz. Les fuites de gaz peuvent provoquer un incendie ou une explosion.
17. Suivez les procédures de contrôle d'étanchéité de l'installation avant de l'utiliser. Pour éviter les risques d'incendie ou d'explosion lorsque vous contrôlez l'étanchéité :
 - a. Vérifiez toujours que l'installation ne présente pas de fuite avant d'allumer le barbecue et chaque fois que la bouteille de gaz est raccordée pour utilisation.
 - b. Ne fumez pas. Éloignez toute source d'ignition de l'appareil lorsque vous procédez au test d'étanchéité.
 - c. Contrôlez l'étanchéité de l'installation à l'extérieur, dans un espace bien ventilé.
 - d. N'utilisez pas d'allumettes, de briquets ou de flammes pour vérifier l'étanchéité.
 - e. N'utilisez pas le barbecue avant que toutes les fuites soient réparées. Si vous ne parvenez pas à réparer la fuite, déconnectez l'alimentation de GPL.
18. Veillez à ne pas stocker ou utiliser d'essence ou d'autres liquides ou vapeurs inflammables dans un rayon de 8 mètres autour de cet appareil.
19. N'utilisez pas cet appareil dans un environnement explosif. Placez le barbecue dans un espace dégagé éloigné de toute matière combustible.
20. Éloignez toujours les objets et surfaces combustibles à 1 mètre au moins du barbecue. N'utilisez pas ce barbecue ou tout autre produit au gaz sous un abri ou à proximité d'une structure combustible non protégée.
21. Le compartiment de la soupape, les brûleurs et les événements d'aération du barbecue doivent impérativement être

propres. Examinez le barbecue avant chaque utilisation.

22. Ne modifiez pas le barbecue de quelque manière que ce soit.
23. N'utilisez pas le barbecue s'il n'est pas COMPLÈTEMENT assemblé et que toutes les parties ne sont pas solidement fixées et serrées.
24. Ce barbecue doit fréquemment être scrupuleusement nettoyé et examiné. Nettoyez et examinez toujours le tuyau avant d'utiliser l'appareil. Si le tuyau présente des marques d'abrasion, d'usure, d'entaille ou de fuite, il doit être remplacé avant l'allumage de l'appareil.
25. Utilisez uniquement des pièces agréées. L'utilisation de toute pièce non agréée peut être dangereuse.
26. N'utilisez pas cet appareil sans avoir lu la section « Instructions d'utilisation » du présent manuel.
27. Pour éviter les brûlures, ne touchez pas les parties métalliques du barbecue avant qu'elles ne soient totalement refroidies (environ 45 minutes).
28. Lors de la cuisson, gardez un système d'extinction d'incendie à proximité. N'essayez jamais d'éteindre un feu de graisse avec de l'eau. Utilisez plutôt un extincteur à poudre ABC ou étouffez les flammes avec de la terre, du sable ou du bicarbonate de soude.
29. N'installez ou n'utilisez pas l'appareil à bord d'un bateau ou de véhicules de camping.
30. N'utilisez pas le barbecue en cas de vents violents.
31. Ne vous penchez jamais au-dessus du barbecue lors de l'allumage.
32. Ne laissez pas le barbecue allumé sans surveillance. **ATTENTION!** Gardez-le toujours hors de portée des enfants et des animaux.
33. N'essayez pas de déplacer le barbecue lorsqu'il est en cours d'utilisation. Laissez le barbecue refroidir avant de le déplacer ou de le ranger.
34. Le barbecue peut être rangé à l'intérieur UNIQUEMENT si la bouteille de gaz est déconnectée, enlevée du barbecue et correctement rangée à l'extérieur.
35. Ouvrez toujours le capot du barbecue prudemment et doucement, car la chaleur et la vapeur contenues dans le barbecue peuvent vous brûler grièvement.
36. N'essayez pas de déconnecter le régulateur de pression de gaz de la bouteille ou tout autre raccord de gaz lorsque le barbecue est en cours d'utilisation.

37. Placez toujours le barbecue sur une surface dure et plane. Cette surface doit pouvoir supporter une hausse de température de 50°C.
38. Redoublez de vigilance sur les terrasses en bois.
39. Éloignez le plus possible les tuyaux de gaz des surfaces chaudes et des gouttes de graisse chaude.
40. Éloignez tout câble électrique d'un barbecue chaud.
41. N'utilisez pas le barbecue pour chauffer ou cuisiner à l'intérieur. Des vapeurs toxiques peuvent s'accumuler et provoquer l'asphyxie.
42. Si l'appareil est resté rangé ou non utilisé pendant une période, vérifiez qu'il ne présente pas de fuite, que les brûleurs ne sont pas obstrués et que le tuyau ne porte pas de trace d'abrasion, d'usure ou d'entaille.
43. Ne pas ouvrir le capot lors de l'allumage des brûleurs du barbecue, ou ne pas attendre 5 minutes pour permettre au gaz de se dissiper si le barbecue ne s'allume pas peut entraîner un embrasement explosif.
44. Si le gril n'est pas en cours d'utilisation, l'arrivée de gaz doit être coupée au niveau de la bouteille et du régulateur de pression.
45. N'utilisez jamais le barbecue si les plaques de cuisson ne sont pas installées.
46. Ne rangez pas de bouteille de GPL de rechange sous ou à proximité de l'appareil.
47. Lorsque les conditions naturelles le nécessitent, le tuyau doit être remplacé. Utilisez un tuyau du type et de la longueur spécifiés.
48. Placez la bouteille près du barbecue afin que le tuyau ne soit pas enroulé ou ne risque pas de l'être.
49. Lorsque vous changez la bouteille de GPL, assurez-vous que vous vous trouvez à distance de toute source d'ignition.
50. Toute modification apportée à l'appareil peut être dangereuse.
51. Ne pas respecter scrupuleusement les avertissements et instructions susmentionnés peut entraîner la mort, des blessures graves ou des dommages matériels.

SPÉCIFICATIONS DE PRODUIT

RÉFÉRENCE DE L'APPAREIL: X88-000010 / MODÈLE : G2082	
APPORT TOTAL DE CHALEUR (TOUTES CATÉGORIES DE GAZ)	5,5 kW (400 g/h)
CATÉGORIE DE GAZ	I3B/P (30)
TYPES DE GAZ	PROPANE MÉLANGES DE GPL
PRESSION DU GAZ	30 mBar
DIMENSIONS INJECTEUR	PRINCIPAL : 0,84 mm
CODE D'IDENTIFICATION	2575DM28150
AVERTISSEMENT : LES ÉLÉMENTS FACILES D'ACCÈS PEUVENT ÊTRE TRÈS CHAUDS. GARDEZ HORS DE PORTÉE DES ENFANTS. VEUILLEZ LIRE LES INSTRUCTIONS AVANT D'UTILISER L'APPAREIL.	
DESTINÉ À UN USAGE EXTÉRIEUR DANS DES ENDROITS BIEN VENTILÉS.	
ALLUMAGE BRÛLEUR PRINCIPAL : UNITÉ D'ALLUMAGE PIÉZOÉLECTRIQUE À PRISE UNIQUE GAZ SPÉCIFIQUE À UTILISER : PROPANE (À 30 mBar).	

RÉFÉRENCE DE L'APPAREIL: X88-000020 / MODÈLE : G9003B	
APPORT TOTAL DE CHALEUR (TOUTES CATÉGORIES DE GAZ)	8,4 kW (611 g/h)
CATÉGORIE DE GAZ	I3B/P (30)
TYPES DE GAZ	PROPANE MÉLANGES DE GPL
PRESSION DU GAZ	30 mBar
DIMENSIONS INJECTEUR	PRINCIPAL : 0,82 mm
CODE D'IDENTIFICATION	2575DM28150
AVERTISSEMENT : LES ÉLÉMENTS FACILES D'ACCÈS PEUVENT ÊTRE TRÈS CHAUDS. GARDEZ HORS DE PORTÉE DES ENFANTS. VEUILLEZ LIRE LES INSTRUCTIONS AVANT D'UTILISER L'APPAREIL.	
DESTINÉ À UN USAGE EXTÉRIEUR DANS DES ENDROITS BIEN VENTILÉS.	
ALLUMAGE BRÛLEUR PRINCIPAL : UNITÉ D'ALLUMAGE PIÉZOÉLECTRIQUE À PRISE UNIQUE GAZ SPÉCIFIQUE À UTILISER : PROPANE (À 30 mBar).	

ASSEMBLAGE

RACCORDEMENT DE LA BOUTEILLE DE GAZ À L'APPAREIL

Cet appareil peut uniquement être utilisé avec du gaz propane sous faible pression (mélanges de GPL), relié à un régulateur basse pression adapté au moyen d'un tuyau flexible. Le tuyau doit être solidement fixé au régulateur et à l'appareil avec des colliers de serrage. Le barbecue est destiné à être utilisé avec un régulateur à 30 mbar avec des mélanges de GPL. Veuillez consulter votre fournisseur de GPL pour de plus amples informations concernant le régulateur adapté à la bouteille de gaz.

RÉGULATEUR ET TUYAU

Ces pièces ne sont pas fournies avec le barbecue. Vous pouvez vous les procurer dans un magasin de bricolage ou auprès d'un fournisseur agréé de GPL. Utilisez uniquement des régulateurs et des tuyaux adaptés aux GPL aux pressions susmentionnées. Le régulateur a une durée de vie estimée à 10 ans. Il est recommandé de changer le régulateur dans les 10 ans à partir de la date de fabrication. L'utilisation d'un régulateur ou d'un tuyau inapproprié est dangereuse ; vérifiez toujours que vous disposez des éléments appropriés avant de faire fonctionner le barbecue. Un tuyau usé ou endommagé doit être remplacé. Vérifiez que le tuyau n'est pas obstrué, plié ou en contact avec une partie du barbecue autre que celles des raccordements. Le tuyau doit être en conformité avec la norme en vigueur dans le pays où le barbecue est utilisé.

STOCKAGE DE L'APPAREIL

L'appareil peut être stocké à l'intérieur uniquement si la bouteille de gaz est déconnectée et retirée de l'appareil. En cas de longue période sans utilisation, le barbecue doit être rangé dans un endroit sec et non poussiéreux.

BOUTEILLE DE GAZ

Prenez garde à ne pas faire tomber la bouteille de gaz et manipulez-la avec précaution. Si l'appareil n'est pas en cours d'utilisation, la bouteille doit être déconnectée. Remplacez le capuchon de protection sur la bouteille de gaz après l'avoir déconnectée de l'appareil. Les bouteilles de gaz doivent être stockées à l'extérieur en position verticale et hors de portée des enfants. Ne stockez jamais les bouteilles de gaz

dans un endroit où la température excède 50°C. Ne stockez pas les bouteilles de gaz à proximité de flammes, de veilleuses ou de toutes autres sources d'ignition. **NE FUMEZ PAS.**

Ce barbecue est destiné à un usage en extérieur, à l'écart de toute matière inflammable. Il est important d'éviter que le dessus de l'appareil ne soit obstrué et de veiller à ce que rien n'encombre les côtés et l'arrière de l'appareil dans un rayon minimal de 1 mètre. Les orifices d'aération de l'appareil doivent absolument être dégagés. Le barbecue doit être utilisé sur une surface stable et plane. L'appareil doit être protégé de tout courant d'air direct et installé ou protégé de manière à éviter tout contact direct avec un écoulement d'eau.

Les pièces scellées par le fabricant ou son revendeur ne peuvent pas être modifiées par l'utilisateur. Aucune modification ne peut être apportée au barbecue. Les réparations et l'entretien doivent être effectués par un technicien d'entretien agréé uniquement.

RACCORDEMENT À L'APPAREIL

Avant de raccorder la bouteille à l'appareil, assurez-vous qu'il n'y a pas de débris coincés dans la tête de la bouteille, le régulateur, les brûleurs et les orifices des brûleurs. Les araignées et les insectes peuvent se nicher dans les brûleurs ou les venturis et obstruer l'ouverture. Un brûleur obstrué peut provoquer un incendie dans la partie basse de l'appareil. Attachez le tuyau à l'appareil et utilisez une clé tricoise pour serrer le tuyau au raccord. Si vous remplacez le tuyau, fixez-le à l'aide de colliers de serrage au niveau des raccords avec l'appareil et le régulateur. Lorsque vous n'utilisez pas le barbecue, déconnectez le régulateur de la bouteille (en suivant les instructions fournies avec le régulateur). Le barbecue doit être utilisé dans un espace bien ventilé. Lorsque le barbecue est en cours d'utilisation, n'obstruez pas le passage de l'air de combustion au brûleur. **UTILISEZ CE BARBECUE À L'EXTÉRIEUR UNIQUEMENT.**

CONTRÔLEZ L'ÉTANCHÉITÉ AVANT UTILISATION

Ne contrôlez jamais l'étanchéité de l'installation à l'aide d'une flamme nue ; utilisez toujours de l'eau savonneuse.

POUR VÉRIFIER L'ÉTANCHÉITÉ

Préparez 60-90 ml de solution de détection de fuite en mélangeant un volume de liquide vaisselle avec 3 volumes d'eau. Assurez-vous que la valve de contrôle est réglée sur « OFF ». Raccordez le régulateur à la bouteille de gaz et la valve ON/OFF au brûleur, assurez-vous que les raccordements sont solidement fixés puis allumez le gaz. Appliquez la solution savonneuse à l'aide d'une brosse sur le tuyau et tous les joints. Si des bulles se forment, cela signifie qu'il y a une fuite et que vous devez procéder à une réparation avant d'utiliser l'appareil. Procédez à nouveau au test une fois la réparation effectuée.

Éteignez le gaz au niveau de la bouteille après le test. Si vous ne parvenez pas à réparer une fuite détectée, n'essayez pas d'y remédier vous-même, consultez votre fournisseur de gaz.

INSTRUCTIONS D'UTILISATION

Assemblez le barbecue prudemment en respectant les instructions. Raccordez le tuyau de gaz au barbecue. Raccordez le régulateur au tuyau. Raccordez le régulateur à la soupape de la bouteille en suivant les instructions fournies avec le régulateur. Réglez tous les boutons de commande sur la position « OFF » avant d'allumer l'alimentation de gaz de l'appareil. Utilisez le régulateur conformément aux consignes fournies avec le régulateur.

INSTRUCTIONS POUR ALLUMER VOTRE BARBECUE (BRÛLEUR PRINCIPAL)

INSTRUCTIONS D'ALLUMAGE

MODÈLE G2082 / X88-000010

1. Enlevez le couvercle.
2. Tournez tous les boutons de contrôle dans le sens des aiguilles d'une montre jusqu'à "OFF".
3. Reliez le régulateur à la bouteille de gaz et à l'appareil. Tournez le robinet de la bouteille de gaz sur "ON". Vérifiez à l'aide d'eau savonneuse toute fuite de gaz entre la bouteille et le régulateur.
4. Abaissez le bouton de contrôle gauche et tournez-le dans le sens contraire des aiguilles d'une montre jusqu'à "Full rate", tout en pressant 4 ou 5 fois le bouton d'allumage piézo. Cela doit allumer le brûleur. Vérifiez si tel est le cas. Sinon, répétez la procédure.
5. Si le brûleur n'est pas encore allumé, attendez 5 minutes et répétez l'étape 3.
6. Réglez la chaleur en positionnant le bouton sur la position high/low de votre choix.
7. Si le brûleur n'est pas encore allumé, insérez une allumette allumée dans l'orifice situé sur le côté de l'appareil.
8. Pour allumer le brûleur droit, tournez le bouton de contrôle droit au maximum, cela doit allumer le brûleur gauche. Allumez toujours le brûleur gauche de l'appareil à l'aide du brûleur droit.
9. Pour éteindre le barbecue : Fermez le robinet de la bouteille de gaz et mettez ensuite le bouton de contrôle de l'appareil sur "OFF" en tournant dans le sens des aiguilles d'une montre.

MODÈLE G9003B / X88-000020

1. Enlevez le couvercle.
2. Tournez tous les boutons de contrôle dans le sens des aiguilles d'une montre jusqu'à "OFF".
3. Reliez le régulateur à la bouteille de gaz et à l'appareil. Tournez le robinet de la bouteille de gaz sur "ON". Vérifiez à l'aide d'eau savonneuse toute fuite de gaz entre la bouteille et le régulateur.
4. Appuyez sur le deuxième bouton de commande, identifiable par le symbole de la foudre (⚡), et tournez-le sur "HI". Ce faisant, l'allumage devrait faire une étincelle et allumer le brûleur principal.

5. Vous pouvez allumer les autres brûleurs lorsque le voyant (⚡) du brûleur principal s'allume.
6. Si le processus d'allumage ne fonctionne pas, tournez le bouton sur "OFF", attendez quelques instants, et répétez l'étape 4.
7. Ajustez la flamme à la puissance désirée en utilisant le bouton de commande.
8. Pour éteindre le barbecue, éteignez directement le gaz ou le régulateur, et remettez toutes les commandes sur "OFF".

AVERTISSEMENT: s'il n'est pas possible d'allumer le brûleur, fermez le bouton de contrôle (dans le sens des aiguilles d'une montre) et fermez également le robinet de la bouteille de gaz. Attendez 5 minutes avant de tenter à nouveau la procédure d'allumage.

NETTOYAGE ET ENTRETIEN

MISE EN GARDE : Toutes les opérations de nettoyage et d'entretien doivent être effectuées lorsque le barbecue est froid et que l'alimentation en combustible est coupée au niveau de la bouteille de gaz.

NETTOYAGE

En laissant brûler le barbecue après chaque utilisation (pendant environ 15 minutes), vous réduirez au maximum les résidus de nourriture.

SURFACE EXTÉRIEURE

Utilisez un détergent doux ou du bicarbonate de soude avec une solution à base d'eau chaude. Vous pouvez utiliser une poudre à rincer non abrasive sur les tâches tenaces et rincer ensuite avec de l'eau. Si la surface interne du capot du barbecue a une apparence de peinture écaillée, cela signifie que des résidus de graisse brûlée se sont transformés en carbone et que celui-ci s'écaille. Nettoyez minutieusement à l'aide d'une solution d'eau savonneuse concentrée chaude. Rincez avec de l'eau et laissez sécher complètement. **N'UTILISEZ JAMAIS DE NETTOYANT POUR FOUR.**

INTÉRIEUR DE LA PARTIE BASSE DU BARBECUE

Retirez les résidus à l'aide d'une brosse, d'un grattoir et/ou d'une éponge de nettoyage puis lavez avec une solution d'eau savonneuse. Rincez avec de l'eau et laissez sécher.

GRILLE DE CUISSON

Utilisez une solution d'eau savonneuse douce. Vous pouvez utiliser une poudre à rincer non abrasive sur les tâches tenaces puis rincer avec de l'eau.

NETTOYAGE DES BRÛLEURS

Éteignez le gaz au niveau du bouton de commande et déconnectez la bouteille de gaz. Retirez les grilles une fois qu'elles ont refroidi. Nettoyez le brûleur à l'aide d'une brosse douce ou d'un souffleur à air comprimé et essuyez avec un chiffon. Nettoyez

tous les orifices obstrués à l'aide d'un cure-pipe ou d'un fil de fer rigide (par exemple un trombone déplié). Vérifiez que le brûleur n'est pas endommagé (fissures ou trous). Si vous détectez un brûleur endommagé, remplacez-le. Réinstallez le brûleur, assurez-vous que les orifices de la valve de gaz sont correctement positionnés et bien fixés à l'intérieur de l'arrivée du brûleur (venturi).

RÉVISION

Votre barbecue à gaz doit être révisé annuellement par un professionnel compétent agréé.

L'ENVIRONNEMENT. Lorsque l'appareil aura atteint la fin de sa durée de vie utile, il doit être apporté à un point de collecte pour le recyclage d'équipements électriques et électroniques. Veuillez vous référer aux symboles indiqués sur le produit ou l'emballage ou dans le manuel de l'utilisateur. Communiquez avec votre municipalité pour vous procurer l'adresse du point de collecte de votre quartier.

E BARBACOA

IMPORTANTE

- Lea atentamente las siguientes instrucciones y asegúrese de que su parrillera esté instalada, ensamblada y cuidada correctamente. No seguir estas instrucciones puede resultar en lesiones corporales graves y/o daños a la propiedad. **GUARDAR PARA FUTURAS REFERENCIAS.**
- Si tiene alguna pregunta sobre el montaje o el funcionamiento de este producto, consulte a su distribuidor o proveedor de gas LP.
- Asegúrese de que el aparato y el tanque de GAS estén sobre una superficie plana cuando se utilicen en el suelo.
- Nunca encienda el aparato con la CUBIERTA cerrada.
- Nunca encienda ni use el quemador lateral con la cubierta cerrada.
- Su parrilla se puede utilizar con un depósito de gasolina de 6 a 11 kg.
- Al encender la parrilla, se deben respetar y mantener estrictamente los siguientes espacios libres:
- Lados y parte trasera del aparato: 1 metro de cualquier obstáculo.
- Sobre el aparato: **NO SE PERMITEN OBSTRUCCIONES AÉREAS.**
- **UTILIZAR SOLO EN EXTERIORES.**
- **ADVERTENCIA: LAS PARTES ACCESIBLES PUEDEN ESTAR MUY CALIENTES. MANTENGA ALEJADOS A LOS NIÑOS PEQUEÑOS.**
- **NO MUEVA EL APARATO DURANTE LA COCCIÓN.**

SI HUELE A GAS

- Cerrar la entrada de gas a la parrilla.
- Apague cualquier llama abierta
- Tapa abierta
- Si el olor persiste, manténgase alejado del aparato y llame inmediatamente a su proveedor de gas o al departamento de bomberos.
- No almacene cilindros de propano LPG a menos de 4 m de este aparato.
- No almacene ni utilice gasolina u otros líquidos con vapores inflamables a menos de 8 m de este o cualquier otro aparato similar.
- Tanques de gas- (no conectados para su uso) no debenser nunca almacenarse cerca de este / cualquier otro aparato similar.

ADVERTENCIAS

1. Esta parrilla es solo para uso en exteriores y no debe usarse en un edificio, garaje o cualquier otra área cerrada.
2. Esta parrilla NO es para uso comercial.
3. Esta parrilla debe usarse únicamente con MEZCLA DE GAS LP propano. Usar gas natural, o convertir el producto para poder hacerlo, es peligroso.
4. Características del gas LP:
 - a. El gas LP es inflamable y peligroso si se maneja de manera incorrecta. Lea atentamente las especificaciones antes de utilizar cualquier producto de gas LP.
 - b. El gas LP es explosivo a presión, más pesado que el aire y se deposita en forma de piscinas en áreas bajas.
 - c. El gas LP en su estado natural no tiene olor. Por seguridad, se agrega un olor que huele a repollo podrido.
 - d. El contacto con el gas LP puede causar quemaduras por congelación en la piel.
5. El tanque de gas debe estar equipado con una válvula de tanque.
6. El tanque de gasolina debe estar equipado con un collar de tanque para proteger la válvula del tanque.
7. Nunca use un tanque de gas propano LP con una válvula de cuerpo dañada, cuello o base.
8. Los tanques de gas LP se debe de caer ni manipularse con brusquedad.
10. El tanque de gas LP debe almacenarse al aire libre, fuera del alcance de los niños y no debe almacenarse en un edificio, garaje o cualquier otra área cerrada. El tanque de gas LP nunca debe almacenarse donde las temperaturas puedan alcanzar más de 50°C.
11. Nunca guarde un tanque de gas LP lleno en un automóvil o maletero caliente. El calor hará que aumente la presión del

- gas, lo que puede abrir la válvula de alivio y permitir que el gas escape.
12. Nunca intente conectar esta parrilla al sistema de gas LP autónomo de una caravana, casa rodante o casa.
 13. El uso de alcohol, medicamentos recetados o de venta libre puede afectar la capacidad del consumidor para ensamblar correctamente u operar este electrodoméstico de manera segura.
 14. Nunca use carbón, líquido para encendedores, rocas volcánicas, gasolina, parafina o alcohol con este producto.
 15. Verifique si hay fugas incluso si su unidad fue ensamblada por otra persona.
 16. No opere el producto si tiene una fuga de gas. Las fugas de gas pueden provocar un incendio o explosiones.
 17. Debe seguir todos los procedimientos de verificación de fugas antes de operar. Para evitar el riesgo de incendio o explosión al realizar pruebas de fuga:
 - a. Realice siempre una prueba de fugas antes de encender la parrilla y cada vez que conecte el tanque para su uso.
 - b. No Fumar. Manténgase alejado de cualquier fuente de ignición cuando realice una prueba de fugas.
 - c. Realice la prueba de fugas al aire libre en un área bien ventilada.
 - d. No use fósforos, encendedores o llamas para verificar si hay fugas.
 - e. No use la parrilla hasta que se corrijan todas las fugas. Si no puede remediar la fuga, desconecte el suministro de gas LP.
 18. No almacene ni utilice gasolina, otros líquidos o vapores inflamables a menos de 8 m de este aparato.
 19. No lo utilice en una atmósfera explosiva. Mantenga el área de la parrilla despejada y libre de materiales combustibles.
 20. Mantenga siempre todos los elementos y superficies combustibles al menos a 1 m de distancia de la parrilla. No utilice esta parrilla ni ningún producto de gas debajo de ningún techo o cerca de estructuras combustibles desprotegidas.
 21. Es fundamental mantener limpios el compartimento de la válvula de la parrilla, los quemadores y las rejillas de ventilación. Inspeccione la parrilla antes de cada uso.
 22. No altere la estructura de la parrilla de ninguna manera.
 23. No use la parrilla a menos que esté COMPLETAMENTE ensamblada y todas las piezas estén bien sujetas y apretadas.
 24. Esta parrilla debe limpiarse a fondo e inspeccionarse con regularidad. Siempre

- limpie e inspeccione la manguera antes de usar el aparato. Si hay evidencia de abrasión, desgaste, cortes o fugas, se debe reemplazar la manguera antes de poner el aparato en funcionamiento.
25. Utilice únicamente piezas autorizadas por la fábrica. El uso de cualquier pieza que no esté autorizada por la fábrica puede ser peligroso.
 26. No utilice este aparato sin leer la sección 'Instrucciones de uso' de este manual.
 27. Para evitar quemaduras, no toque ninguna parte metálica de la parrilla hasta que se haya enfriado por completo (aproximadamente 45 min.).
 28. Al cocinar, el equipo de extinción de incendios debe estar fácilmente accesible. En caso de un incendio por grasa, no intente extinguir con agua. Utilice un extintor de incendios químico seco tipo ABC o sofoque las llamas con tierra, arena o bicarbonato de sodio.
 29. No lo instale ni lo utilice en barcos o vehículos recreativos.
 30. No use la parrilla con vientos fuertes.
 31. Nunca se incline sobre la parrilla al encenderla.
 32. No deje una parrilla encendida sin vigilancia, **¡ADVERTENCIA!** Mantenga siempre a los niños y las mascotas alejados de la parrilla.
 33. No intente mover la parrilla cuando esté en uso. Deje que la parrilla se enfríe antes de quitarla o guardarla.
 34. La parrilla se puede almacenar en interiores SÓLO si se desconecta el tanque, se retira de la parrilla y se almacena adecuadamente al aire libre.
 35. Siempre abra la tapa de la parrilla con cuidado y lentamente ya que el calor y el vapor atrapados debajo pueden quemarlo gravemente.
 36. No intente desconectar el regulador de gas del tanque o cualquier accesorio de gas mientras la parrilla esté en uso.
 37. Coloque siempre la parrilla sobre una superficie dura y nivelada. Las superficies deben ser adecuadas para resistir un aumento de temperatura de 50°C.
 38. Tenga mucho cuidado con las terrazas de madera.
 39. Mueva las mangueras de gas lo más lejos posible de superficies calientes y grasa caliente que gotea.
 40. Mantenga todos los cables eléctricos alejados de una parrilla caliente.
 41. No use la parrilla para cocinar o calentar en interiores. Los vapores tóxicos se pueden acumular y causar asfixia.

42. Después de un período de almacenamiento y / o sin uso, verifique que no haya fugas, obstrucciones del quemador e inspeccione si hay abrasión, desgaste y cortes en la manguera.
43. No abrir la tapa mientras se encienden los quemadores de la parrilla, o no esperar 5 minutos para permitir que el gas se disipe si la parrilla no se enciende, puede resultar en una llamada explosiva.
44. Si la parrilla no está en uso, se debe cerrar el gas en el tanque de suministro y el regulador.
45. Nunca opere la parrilla sin sus placas de calor instaladas.
46. No almacene un tanque de gas LP de repuesto debajo o cerca de este aparato.
47. La tubería debe reemplazarse cuando lo requieran las condiciones naturales. Utilice el tipo y la longitud especificados.
48. Coloque el tanque junto a la parrilla para que la manguera no se retuerza ni se retuerza.
49. Asegúrese de estar alejado de cualquier fuente de ignición cuando cambie el tanque de gas propano LP.
50. Cualquier modificación del aparato puede ser peligrosa.
51. Puede ocurrir la muerte, lesiones graves o daños a la propiedad si no cumple estrictamente con las instrucciones y advertencias anteriores.

ESPECIFICACIONES DEL PRODUCTO

CÓDIGO DE APARATO: X88-000010 / MODELO: G2082	
ENTRADA TOTAL DE CALOR (TODAS LAS CATEGORÍAS DE GAS)	5,5 kW (400 g/h)
CATEGORÍA DE GAS	13B/P (30)
TIPOS DE GAS	MEZCLAS DE GAS LP PROPANO
PRESIÓN DE GAS	30 mBar
TAMAÑO DEL INYECTOR	PRINCIPAL: 0,84 mm
CÓDIGO DE IDENTIFICACIÓN	2575DM28150
ADVERTENCIA: LAS PARTES ACCESIBLES PUEDEN ESTAR MUY CALIENTES. MANTENGA ALEJADOS A LOS NIÑOS PEQUEÑOS. LEA LAS INSTRUCCIONES ANTES DE UTILIZAR EL APARATO.	
PARA USO EN EXTERIORES Y EN ZONAS BIEN VENTILADAS.	
ENCENDIDO QUEMADOR PRINCIPAL: UNIDAD DE ENCENDIDO PIEZOELECTRICO DE UN SOLO TÍRO. GAS ESPECÍFICO A UTILIZAR: PROPANO (A 30 mBar).	
CÓDIGO DE APARATO: X88-000020 / MODELO: G9003B	
ENTRADA TOTAL DE CALOR (TODAS LAS CATEGORÍAS DE GAS)	8,4 kW (611 g/h)
CATEGORÍA DE GAS	13B/P (30)
TIPOS DE GAS	MEZCLAS DE GAS LP PROPANO
PRESIÓN DE GAS	30 mBar
TAMAÑO DEL INYECTOR	PRINCIPAL: 0,82 mm
CÓDIGO DE IDENTIFICACIÓN	2575DM28150
ADVERTENCIA: LAS PARTES ACCESIBLES PUEDEN ESTAR MUY CALIENTES. MANTENGA ALEJADOS A LOS NIÑOS PEQUEÑOS. LEA LAS INSTRUCCIONES ANTES DE UTILIZAR EL APARATO.	
PARA USO EN EXTERIORES Y EN ZONAS BIEN VENTILADAS.	
ENCENDIDO QUEMADOR PRINCIPAL: UNIDAD DE ENCENDIDO PIEZOELECTRICO DE UN SOLO TÍRO. GAS ESPECÍFICO A UTILIZAR: PROPANO (A 30 mBar).	

MONTAJE

CONEXIÓN DEL TANQUE DE GAS AL APARATO

Este aparato solo es adecuado para su uso con gas propano de baja presión (mezclas de GLP), instalado

con el regulador de baja presión adecuado a través de una manguera flexible. La manguera debe estar asegurada al regulador y el aparato con abrazaderas para manguera. Esta parrilla está configurada para operar un regulador de 30 mbar con mezclas de GLP. Consulte a su distribuidor de GLP para obtener información sobre un regulador adecuado para el tanque de gas.

REGULADOR Y MANGUERA

Estos artículos no se suministran con la parrilla, se pueden comprar en el distribuidor de su equipo o en un proveedor de gas LP autorizado. Utilice únicamente reguladores y mangueras aprobados para gas LP con las presiones antes mencionadas. La esperanza de vida del regulador se estima en 10 años. Se recomienda que el regulador se cambie dentro de los 10 años posteriores a la fecha de fabricación. El uso de un regulador o manguera incorrectos no es seguro; Siempre verifique que tenga los elementos correctos antes de operar la barbacoa. Una manguera gastada o dañada debe reemplazarse. Asegúrese de que la manguera no esté obstruida, doblada o en contacto con cualquier parte de la parrilla que no sea su conexión. La manguera utilizada debe cumplir con la norma pertinente para el país de uso.

ALMACENAMIENTO DE ELECTRODOMÉSTICOS

El almacenamiento de un aparato en interiores solo está autorizado si el cilindro está desconectado y retirado del aparato. Cuando el aparato no se utiliza durante un período prolongado, debe almacenarse en su embalaje original y almacenarse en un ambiente seco y libre de polvo.

TANQUE DE GAS

¡El tanque de gas no debe dejar caer ni manipularse con brusquedad! Si el aparato no está en uso, el cilindro debe estar desconectado. Vuelva a colocar la tapa protectora en el cilindro después de desconectar el cilindro del aparato. Los tanques deben almacenarse al aire libre en posición vertical y fuera del alcance de los niños. El cilindro nunca debe almacenarse donde las temperaturas puedan superar los 50°C. No almacene el cilindro cerca de llamas, luces piloto u otras fuentes de ignición. NO FUME CERCA DEL TANQUE.

Esta barbacoa está diseñada para su uso en exteriores, lejos de cualquier material inflamable. Es importante que no haya obstrucciones en el techo y que haya una distancia mínima de 1 metro desde los laterales o la parte trasera del aparato. Es importante que las aberturas de ventilación del aparato no estén obstruidas. La barbacoa debe utilizarse sobre una superficie nivelada y estable. El aparato debe protegerse de corrientes de aire directas y debe colocarse o protegerse contra el contacto directo con cualquier goteo de agua.

Las piezas selladas por el fabricante o su agente no deben ser modificadas por el usuario. Ninguna modificación debe realizarse en cualquier parte de esta barbacoa y las reparaciones y el mantenimiento solo deben realizarse por un ingeniero de servicio autorizado.

CONEXIÓN AL APARATO

Antes de conectar el aparato, asegúrese de que no haya residuos atrapados en la cabeza del tanque de gas, regulador, puertos de quemador y quemador. Las arañas y los insectos pueden anidar dentro y obstruir el quemador / tubo venturi en la apertura. Un quemador obstruido puede provocar un incendio en la parte inferior del aparato. Coloque la manguera en el aparato con una llave para apretar en la rosca de conexión. Si la manguera es reemplazada, esta debe asegurarse al aparato y las conexiones del regulador con abrazaderas para manguera. Desconecte el regulador del tanque de gas (según las instrucciones suministradas con el regulador) cuando la parrilla no esté en uso. La parrilla debe utilizarse en un área bien ventilada. No obstruya el flujo de aire de combustión al quemador cuando la parrilla esté en uso. UTILICE ESTA PARRILLERA ÚNICAMENTE AL AIRE LIBRE.

COMPRUEBE QUE NO HAY FUGAS ANTES DE USARLO

Nunca compruebe si hay fugas con una llama abierta: utilice siempre una solución de agua con jabón.

PARA VERIFICAR FUGAS

Prepare 2-3 onzas líquidas de solución de detección de fugas mezclando una parte de detergente líquido con 3 partes de agua. Asegúrese de que la válvula de control esté en "APAGADO". Conecte el regulador al cilindro y la válvula de ENCENDIDO / APAGADO al quemador, asegúrese de que las conexiones estén aseguradas y luego encienda el gas. Aplique la solución jabonosa en la manguera y todas las juntas. Si aparecen burbujas, tiene una fuga, que debe rectificarse antes de su uso. Vuelva a probar después de arreglar la falla. Cierre el gas en el cilindro después de la prueba. Si se detecta una fuga y no se puede rectificar: no intente reparar la fuga y póngase en contacto con su proveedor de gas.

INSTRUCCIONES DE USO

Montar la parrilla siguiendo cuidadosamente las instrucciones. Conecte la manguera de gas a la parrilla. Conecte el regulador a la manguera. Conecte el regulador a la válvula del cilindro de gas acuerdo con las instrucciones del regulador suministradas con el regulador. Gire todas las perillas de control a la posición "APAGADO" antes de abrir el suministro de gas al aparato. Opere el regulador de acuerdo con las instrucciones suministradas con el regulador.

ENCENDER TU BARBACOA (MECHERO PRINCIPAL)

INSTRUCCIONES DE ENCENDIDO

MODELO G2082 / X88-000010

1. Abra la tapa.
2. Gire todas las perillas de control en sentido horario a la posición "OFF".
3. Conecte el regulador de presión de gas a la botella de gas y al aparato. Encienda el suministro de gas en el cilindro de gas. Verifique con agua jabonosa si hay fugas de gas entre la botella y el regulador de presión de gas.
4. Empuje hacia abajo la perilla de control a mano izquierda y gírela en sentido antihorario a la posición "Velocidad máxima" mientras presiona el botón de encendido piezoeléctrico 4 o 5 veces. Esto encenderá el mechero. Observe si el mechero se ha encendido. Si no, repita este proceso.
5. Si el mechero no se ha encendido después de volver a intentarlo, espere 5 minutos y repita el paso 3.
6. Ajuste el calor girando la perilla a la posición Alta / Baja.
7. Si el mechero no se enciende. Encienda el aparato con un fósforo usando el orificio de encendido en el costado del aparato.
8. Para encender el mechero de la derecha, gire la perilla de control de la derecha a la posición de velocidad completa, se encenderá el mechero de la izquierda. Siempre encienda el aparato desde el mechero izquierdo hacia el lado derecho.
9. Para apagar la barbacoa: cierre la válvula de la botella de gas y luego gire las perillas de control del aparato en el sentido de las agujas del reloj a la posición "APAGADO".

MODELO G9003B / X88-000020

1. Abra la tapa.
2. Gire todas las perillas de control en sentido horario a la posición "OFF".
3. Conecte el regulador de presión de gas a la botella de gas y al aparato. Encienda el suministro de gas en el cilindro de gas. Verifique con agua jabonosa si hay fugas de gas entre la botella y el regulador de presión de gas.
4. Presione el segundo botón de control, identificable por el símbolo de un rayo (⚡) y al mismo tiempo gírelo a "HI". Al hacerlo, el encendedor debería chispear y encender el quemador principal.
5. Puede encender los otros quemadores cuando la luz de señal (⚡) del quemador principal este iluminada.
6. Si el proceso de iluminación no funciona, gire el botón a "OFF", espere unos momentos y repita el paso 4.
7. Ajuste la llama a la fuerza deseada usando el botón de control.
8. Para apagar la parrillera, apague el gas o el regulador directamente y vuelva a poner todos los controles en "OFF".

ADVERTENCIA: Si el mechero no se enciende, apague la perilla de control (en sentido horario) y también cierre la válvula de la botella de gas. Espere cinco minutos antes de intentar volver a encender con la secuencia de encendido.

LIMPIEZA Y CUIDADO

PRECAUCIÓN: Toda la limpieza y el mantenimiento deben realizarse cuando la barbacoa esté fría y con el suministro de gas APAGADO.

LIMPIEZA

"Quemar" la parrilla después de cada uso (durante unos 15 minutos) mantendrá el exceso de comida y residuos al mínimo.

SUPERFICIE EXTERIOR

Use un detergente suave o bicarbonato de sodio y una solución de agua caliente. Se puede usar un limpiador en polvo no abrasivo en las manchas rebeldes y luego enjuagar con agua. Si la superficie interior de la tapa de la barbacoa tiene la apariencia de pintura descascarada, es porque la acumulación de grasa horneada se ha convertido en carbón y se está desprendiendo. Limpiar a fondo con una solución fuerte de agua caliente y jabón. Enjuagar con agua y dejar secar completamente. **NUNCA USE LIMPIADOR DE HORNOS.**

INTERIOR DE LA BASE DE LA BARBACOA

Quite los residuos con un cepillo, un raspador y / o una almohadilla de limpieza y luego lávelos con una solución de agua y jabón. Enjuagar con agua y dejar secar.

REJILLA DE COCCIÓN

Use una solución de agua con jabón suave. Se puede utilizar un poder de fregado no abrasivo en las manchas rebeldes enjuagar con agua.

LIMPIEZA DEL CONJUNTO DEL QUEMADOR

Apague el gas en la perilla de control y desconecte el cilindro. Retire el enfriador. Limpiar el quemador con un cepillo suave o limpiar con aire comprimido y limpiar con un paño. Limpie cualquier puerto obstruido con un limpiapiipas o alambre rígido (como un clip de papel abierto). Inspeccione el quemador en busca de daños (grietas o agujeros). Si encuentra algún daño, reemplácelo con un quemador nuevo. Vuelva a instalar el quemador, verifique que las aberturas de la válvula de gas estén colocadas y aseguradas correctamente dentro de la entrada del quemador (venturi).

SERVICIO

Su barbacoa de gas debe ser revisada anualmente por un profesional competente y registrado.

EL MEDIO AMBIENTE

Cuando el producto ha llegado al final de su vida útil, entregarlo en un punto de reciclaje de

productos electrónicos. Por favor, haga referencia a los símbolos en el producto, las instrucciones, o el embalaje. Póngase en contacto con el municipio para los direcciones a su punto de reciclaje más cercano.

BARBECUE

IMPORTANTE:

- Leggere con attenzione le seguenti istruzioni e assicurarsi che il barbecue sia correttamente installato, montato e ben custodito. La mancata osservanza delle istruzioni può arrecare seri danni alle persone e/o alle cose. **CONSERVARE PER FUTURE CONSULTAZIONI.**
- In caso di domande riguardanti il montaggio o il funzionamento del prodotto, rivolgersi al proprio rivenditore o a un fornitore di GPL.
- Quando viene messo in funzione a terra, l'apparecchio e la bombola del GAS devono trovarsi su di una superficie piana e regolare.
- Non accendere mai l'apparecchio quando il COPERCHIO è chiuso.
- Non accendere mai né utilizzare il bruciatore laterale quando il coperchio dell'apparecchio è chiuso.
- Il barbecue può essere usato con una bombola di gas dai 6 agli 11 kg.
- Quando si accende il barbecue bisogna osservare con precisione le seguenti distanze:
 - Lati e parte posteriore dell'apparecchio: 1 metro da qualunque ingombro.
 - Al disopra dell'apparecchio: **NESSUN INGOMBRO DEVE ESSERE POSTO AL DISOPRA.**
 - **PER L'ESCLUSIVO USO ALL'APERTO.**
 - **AVVERTENZA: LE PARTI ACCESSIBILI POSSONO SURRISCALDARSI. TENERE LONTANI I BAMBINI.**
 - **NON SPOSTARE L'APPARECCHIO DURANTE LA COTTURA.**

SE SI SENTE ODORE DI GAS

- Chiudere l'ingresso del gas nella griglia
- Spegnere le fiamme vive
- Aprire il coperchio
- Se l'odore persiste, allontanarsi dall'apparecchio e chiamare immediatamente il fornitore del gas o i vigili del fuoco.
- Non tenere i cilindri di propano GPL a meno di 4 metri dall'apparecchio.
- Non conservare o usare benzina o altri liquidi dotati di vapori infiammabili a meno di 8m da questo o da qualsiasi altro apparecchio simile.

– Le bombole del gas (non collegate per l'uso) non devono mai essere conservate nelle vicinanze di questo o di qualsiasi altro apparecchio simile.

AVVERTENZE

1. La griglia è destinata al solo uso all'aperto, non deve essere usata in un edificio, garage o qualsiasi altro spazio chiuso.
2. La griglia NON è destinata all'uso commerciale.
3. La griglia deve essere usata solo con MISCELA di GPL. Usare gas naturale o manipolare il prodotto in modo che possa essere usato è pericoloso.
4. Caratteristiche del GPL:
 - a. Il GPL è infiammabile e pericoloso se maneggiato in maniera impropria. Prima di usare qualunque prodotto di GPL leggere attentamente le specifiche.
 - b. Il GPL è esplosivo quando sotto pressione, è più pesante dell'aria e si raccoglie nelle cavità del terreno.
 - c. Il GPL allo stato originale è inodore. Per scopi di sicurezza, gli viene aggiunto un odore che assomiglia al cavolo putrefatto.
 - d. Il contatto con il GPL può provocare bruciate da congelamento sulla pelle.
5. La bombola del gas deve essere dotata di una valvola per serbatoi.
6. La bombola del gas deve essere dotata di un collare per serbatoi per proteggere la valvola.
7. Non usare mai una bombola di GPL propano che abbia il cilindro, la valvola, il collare o la base danneggiati.
8. Una bombola di gas ammaccata o arrugginita può essere pericolosa, deve essere controllata dal fornitore di GPL prima di essere usata.
9. La bombola di GPL non deve essere maneggiata senza cautela o lasciata cadere!
10. La bombola del GPL deve essere conservata all'aperto, fuori dalla portata dei bambini e non deve essere conservata in un edificio, garage o altro qualsiasi spazio chiuso. La bombola del GPL non deve essere conservata in un luogo in cui le temperature possono raggiungere i 50°C.
11. Non tenere mai una bombola di GPL in un'auto o in una barca surriscaldate. Il calore forte fa aumentare la pressione del gas per cui la valvola di rilascio si potrebbe aprire e far fuoriuscire il gas.
12. Non provare mai a collegare il grill al sistema GPL autonomo di una roulotte, di un camper o di casa.
13. L'uso di alcol, farmaci prescritti o non prescritti può compromettere le capacità da parte del consumatore di montare o far funzionare correttamente l'apparecchio.
14. Non usare, con questo prodotto, carbone, gas per accendini, pietre laviche, benzina, paraffina o alcol.
15. Controllare eventuali perdite anche se l'unità è stata montata da qualcun altro.
16. Non far funzionare il prodotto in caso di perdite di gas. Le perdite di gas possono provocare incendi o esplosioni.
17. Prima di mettere in funzione l'apparecchio, si devono seguire tutte le procedure di controllo delle perdite. Per prevenire il rischio di incendi o esplosioni durante il controllo di eventuali perdite:
 - a. Eseguire sempre un controllo di eventuali perdite prima di accendere la griglia e tutte le volte che la bombola è collegata per l'uso.
 - b. Non fumare. Durante l'esecuzione del controllo delle perdite tenersi lontano da qualunque fonte di ignizione.
 - c. Eseguire il controllo delle perdite all'aperto in un'area ben ventilata.
 - d. Non usare fiammiferi, accendini o fiamme per controllare le perdite.
 - e. Non usare la griglia fino a quando tutte le perdite non sono state eliminate. Se non si è in grado di eliminare le perdite, scollegare l'alimentazione del gas.
18. Non conservare o usare benzina, altri liquidi infiammabili o vapori a meno di 8m da questo apparecchio.
19. Non usare in ambiente esplosivo. Tenere l'area intorno alla griglia libera e priva di materiali combustibili.
20. Tenere sempre tutti gli elementi e le superfici combustibili ad almeno 1m dalla griglia. Non usare la griglia o altri prodotti del gas al disotto di coperture o accanto a strutture infiammabili non protette.
21. Tenere puliti il vano della valvola della griglia, i bruciatori e le valvole per la circolazione dell'aria è essenziale. Controllare la griglia prima di ciascun uso.
22. Non modificare la griglia in nessun modo.
23. Non usare la griglia se non è **COMPLETAMENTE** montata e tutte le sue parti non sono ben fissate e serrate.
24. Questa griglia deve essere controllata e pulita approfonditamente con regolarità. Pulire e ispezionare sempre il tubo flessibile prima di usare l'apparecchio. Se si riscontrano evidenti abrasioni, usura, tagli o perdite al tubo flessibile, bisogna sostituirlo prima che l'apparecchio venga messo in funzione.
25. Usare soltanto pezzi di ricambio approvati dal produttore. L'uso di ricambi non approvati dal produttore può essere pericoloso.
26. Non usare questo apparecchio senza aver letto il paragrafo 'Istruzioni per l'uso' di questo manuale.
27. Per evitare bruciate, non toccare le parti in metallo della griglia fino a che essa non sia completamente raffreddata (circa 45 min.).
28. Durante la cottura bisogna avere sempre a portata di mano gli estintori. In caso di fiamme da olio bruciato, non provare a estinguere con l'acqua. Usare estintori di tipo ABC a sostanza chimica secca oppure soffocare le fiamme con sabbia o bicarbonato di sodio.
29. Non installare o usare in barche o mezzi da diporto.
30. Non usare la griglia in presenza di vento forte.
31. Non sporgersi sulla griglia mentre la si accende.
32. Non lasciare incustodita la griglia accesa, **ATTENZIONE!** tenere sempre bambini e animali lontani dalla griglia.
33. Non spostare la griglia quando è in uso. Far raffreddare la griglia prima di spostarla o di riporla.
34. La griglia può essere riposta al chiuso SOLO se la bombola è scollegata, staccata dalla griglia e riposta all'aperto in maniera appropriata.
35. Aprire sempre il coperchio della griglia lentamente e facendo attenzione perché il vapore accumulato al disotto potrebbe provocare bruciate profonde.
36. Non provare a scollegare il regolatore del gas dalla bombola o altri raccordi per il gas quando la griglia è in uso.
37. Sistemare sempre la griglia su di una superficie solida e regolare. La superficie d'appoggio deve essere in grado di resistere a un aumento della temperatura fino a 50°.
38. Prestare particolare attenzione alle tavole di legno.
39. Allontanare i tubi del gas quanto più lontano possibile dalle superfici surriscaldate e dal grasso bollente gocciolante.
40. Tenere tutti i cavi elettrici lontani dalla griglia accesa.
41. Non usare la griglia per cucinare al chiuso o per riscaldare ambienti. I gas tossici possono accumularsi e provocare asfissia.

42. Dopo che la griglia è stata riposta e/o non in uso per un periodo, controllare eventuali perdite, l'occlusione del bruciatore e la presenza di abrasioni, usura e tagli al tubo.
43. Se non si apre il coperchio quando si accendono i bruciatori della griglia e se non si attendono cinque minuti per permettere al gas di fuoriuscire quando la griglia non si accende, si corre il rischio di una fiammata esplosiva.
44. Quando la griglia non viene usata, il gas deve essere chiuso sulla bombola e sul regolatore.
45. Non mettere mai in funzione la griglia se i fornelli non sono stati installati.
46. Non sistemare una bombola di GPL di ricambio al disotto o vicino all'apparecchio.
47. I tubi devono essere sostituiti quando richiesto da circostanze naturali. Usare il tipo e la lunghezza specificati.
48. Sistemare la bombola accanto alla griglia in modo tale che il tubo non si torca.
49. Restare lontano da ogni fonte di ignizione quando si sostituisce la bombola di GPL propano.
50. Qualunque modifica all'apparecchio può essere pericolosa.
51. Morte, lesioni gravi o danni alle cose possono verificarsi qualora non si osservino scrupolosamente le istruzioni e gli avvertimenti di cui sopra.

SPECIFICHE DEL PRODOTTO

CODICE APPARECCHIO: X88-000010 / MODELLO : G208Z	
APPORTO TERMICO TOTALE (TUTTE LE CATEGORIE DI GAS)	5,5 kW (400 g/ora)
CATEGORIA GAS	I3B/P (30)
TIPI DI GAS	MISCELE DI GPL PROPANO
PRESSIONE DEL GAS	30 mBar
MISURA INIETTORE	PRINCIPALE: 0,84 mm
CODICE IDENTIFICATIVO	2575DM28150
AVVERTENZA: LE PARTI ACCESSIBILI POSSONO SURRISCALDARSI. TENERE LONTANI I BAMBINI PICCOLI. LEGGERE LE ISTRUZIONI PRIMA DI UTILIZZARE L'APPARECCHIO.	
PER L'UTILIZZO ALL'APERTO E IN AREE BEN VENTILATE.	
IGNIZIONE BRUCIATORE PRINCIPALE: UNITÀ DI IGNIZIONE PIEZOELETTRICA A SCINTILLA SINGOLA. IL GAS SPECIFICO DA UTILIZZARE È IL PROPANO A 30 mBar.	

CODICE APPARECCHIO: X88-000020 / MODELLO : G9003B	
APPORTO TERMICO TOTALE (TUTTE LE CATEGORIE DI GAS)	8,4 kW (611 g/ora)
CATEGORIA GAS	I3B/P (30)
TIPI DI GAS	MISCELE DI GPL PROPANO
PRESSIONE DEL GAS	30 mBar
MISURA INIETTORE	PRINCIPALE: 0,82 mm
CODICE IDENTIFICATIVO	2575DM28150
AVVERTENZA: LE PARTI ACCESSIBILI POSSONO SURRISCALDARSI. TENERE LONTANI I BAMBINI PICCOLI. LEGGERE LE ISTRUZIONI PRIMA DI UTILIZZARE L'APPARECCHIO.	
PER L'UTILIZZO ALL'APERTO E IN AREE BEN VENTILATE.	
IGNIZIONE BRUCIATORE PRINCIPALE: UNITÀ DI IGNIZIONE PIEZOELETTRICA A SCINTILLA SINGOLA. IL GAS SPECIFICO DA UTILIZZARE È IL PROPANO A 30 mBar.	

MONTAGGIO

COLLEGAMENTO DELLA BOMBOLA DEL GAS ALL'APPARECCHIO

Questo apparecchio è adatto al solo uso con gas

propano a bassa pressione (miscela GPL), dotato di un appropriato regolatore a bassa pressione fornito di tubo flessibile. Il tubo deve essere fissato al regolatore e all'apparecchio con fascette stringitubo. Questo barbecue è predisposto per funzionare con un regolatore a 30 mbar con miscela di GPL. Per informazioni sul regolatore adatto alla propria bombola del gas, consultare un rivenditore di GPL.

REGOLATORE E TUBO

Questi componenti non vengono forniti insieme al barbecue, ma possono essere acquistati presso il rivenditore dell'apparecchio o un fornitore autorizzato di GPL. Usare solo regolatori e tubi approvati per GPL alle pressioni indicate sopra. Si ritiene che la durata di vita di un regolatore possa essere 10 anni. Si raccomanda di sostituire il regolatore entro 10 anni dalla sua fabbricazione. Utilizzare un regolatore o un tubo sbagliato è pericoloso; controllare sempre di avere le componenti giuste prima di mettere in funzione il barbecue. I tubi usurati o danneggiati devono essere sostituiti. Assicurarsi che il tubo non sia ostruito, attorcigliato o in contatto con parti del barbecue che non siano il punto di collegamento. L'utilizzo del tubo deve avvenire in base agli standard relativi al paese in cui ci si trova.

STOCCAGGIO DELL'APPARECCHIO

Conservare l'apparecchio al chiuso è consentito solo se il cilindro viene scollegato e staccato dall'apparecchio. Quando l'apparecchio non viene usato per un lungo periodo, dove essere conservato nella sua confezione originale e posto in un ambiente asciutto e privo di polvere.

BOMBOLA DEL GAS

La bombola di GPL non deve essere maneggiata senza cautela o lasciata cadere! Se l'apparecchio non viene utilizzato, il cilindro deve essere scollegato. Togliere il cappuccio protettivo dal cilindro dopo aver scollegato il cilindro dall'apparecchio. I cilindri devono essere riposti all'aperto in posizione verticale e lontano dalla portata dei bambini. I cilindri non devono mai essere riposti dove le temperature possono superare i 50°. Non riporli nelle vicinanze di fiamme, luci pilota o altre fonti di ignizione. **NON FUMARE.**

Questo barbecue è destinato all'uso all'aperto, lontano da qualunque materiale infiammabile. È importante che non ci siano ostruzioni al disopra dell'apparecchio e che ci sia una distanza minima di 1 metro dal lato o dalla parte posteriore. È importante che le aperture di ventilazione dell'apparecchio non vengano ostruite. Il barbecue deve essere usato su di una superficie piana e stabile. L'apparecchio deve essere protetto da correnti d'aria e sistemato al riparo o protetto dal contatto diretto con eventuali gocciolii d'acqua.

Le parti sigillate dal produttore o da un suo agente

non devono essere alterate dall'utente. Nessuna modifica deve essere apportata alle componenti del barbecue e riparazioni e manutenzione devono essere eseguite da un tecnico del servizio di assistenza.

COLLEGAMENTO DELL'APPARECCHIO

Prima di collegare l'apparecchio, assicurarsi che non ci siano detriti nella testa del cilindro del gas, nel regolatore nel bruciatore e negli orifici del bruciatore. Insetti e ragni potrebbero insediarsi all'interno e intasare l'apertura del bruciatore/ tubo venturi. Se il bruciatore è intasato la parte bassa dell'apparecchio potrebbe incendiarsi. Collegare il tubo all'apparecchio usando una chiave inglese per serrarlo sul filo di collegamento. Se il tubo viene sostituito deve essere fissato all'apparecchio e alle connessioni del regolatore con fascette stringitubo. Quando il barbecue non viene utilizzato, scollegare il regolatore dal cilindro (seguendo le indicazioni fornite con il regolatore). Il barbecue deve essere usato in un'area ben ventilata. Quando si usa il barbecue non si deve interrompere il flusso dell'aria di combustione verso il bruciatore. **USARE IL BARBECUE SOLO ALL'APERTO.**

CONTROLLARE EVENTUALI PERDITE PRIMA DELL'USO

Non controllare mai le perdite usando una fiamma viva: usare sempre dell'acqua saponata.

COME CONTROLLARE LE PERDITE

Preparare 60-90 ml di soluzione per individuare le perdite mescolando una parte di detersivo liquido e tre parti d'acqua. La valvola di controllo deve essere posizionata su "SPENTO". Collegare il regolatore al cilindro e la valvola ACCESO/SPENTO al bruciatore, assicurarsi che i collegamenti siano sicuri quindi accendere il gas. Applicare la soluzione saponata al tubo flessibile e a tutte le giunture. Se compaiono delle bolle, ci sono delle perdite che devono essere riparate prima dell'uso. Ripetere il controllo dopo aver riparato la perdita. Spegnerne il gas al cilindro dopo il controllo. Se viene riscontrata una perdita che non può essere risolta: non provare a ripararla voi stessi e contattare il venditore!

ISTRUZIONI PER L'USO

Montare il barbecue seguendo accuratamente le istruzioni. Collegare il tubo del gas al barbecue. Collegare il regolatore al tubo. Collegare il regolatore alla valvola del cilindro seguendo le istruzioni del regolatore fornite insieme al regolatore. Portare tutti i pulsanti di controllo sulla posizione 'SPENTO' prima di aprire il flusso del gas verso l'apparecchio. Far funzionare il regolatore seguendo le istruzioni fornite insieme al regolatore.

COME ACCENDERE IL VOSTRO BARBECUE (BRUCIATORE PRINCIPALE)

ISTRUZIONI DI ACCENSIONE

MODELLO G2082 / X88-000010

1. Aprire il coperchio.
2. Ruotare tutte le manopole in senso orario in posizione di chiusura "OFF".
3. Collegare il regolatore del gas alla bombola del gas alla bombola e all'apparecchiatura. Aprire su "ON" l'alimentazione di gas dalla bombola. Usando una soluzione di acqua e sapone controllare che non vi siano perdite fra la bombola del gas e il regolatore del gas.
4. Premere la manopola di sinistra e ruotarla in senso antiorario sulla posizione "Full rate" [massima] premendo allo stesso tempo il pulsante accenditore 4 o 5 volte. Adesso il bruciatore si accenderà. Controllare che il bruciatore si sia effettivamente acceso. In caso contrario, ripetere questa operazione.
5. Se il bruciatore non si sarà acceso dopo aver riprovato, attendere 5 minuti e ripetere il passaggio 3.
6. Regolare il calore ruotando la manopola sulla posizione High/Low [alto/basso].
7. Se il bruciatore non si accende. Accendere l'apparecchiatura con un fiammifero usando il foro di accensione sul lato dell'apparecchiatura.
8. Per accendere il bruciatore di destra, ruotare la manopola di destra sulla sua posizione massima, l'accensione avverrà tramite il bruciatore di sinistra. Accendere sempre l'apparecchiatura partendo dal bruciatore verso il lato destro.
9. Per SPEGNERE il barbecue: Chiudere la valvola della bombola del gas, quindi ruotare le manopole dell'apparecchiatura in senso orario sulla posizione "OFF".

MODELLO G9003B / X88-000020

1. Aprire il coperchio.
2. Ruotare tutte le manopole in senso orario in posizione di chiusura "OFF".
3. Collegare il regolatore del gas alla bombola del gas alla bombola e all'apparecchiatura. Aprire su "ON" l'alimentazione di gas dalla bombola. Usando una soluzione di acqua e sapone controllare che non vi siano perdite fra la bombola del gas e il regolatore del gas.
4. Premere sul secondo tasto, riconoscibile dal simbolo lampeggiante (⚡) e farlo ruotare contemporaneamente verso 'HI'. Facendo ciò, le scintille si attivano e il bruciatore principale si accende.
5. Si possono accendere gli altri bruciatori quando la spia luminosa (⚡) del bruciatore principale si accende e indica che sta bruciando.
6. Se il processo di accensione non funziona, far ruotare il tasto verso "OFF", attendere e ripetere il punto 4.
7. Impostare la fiamma all'intensità desiderata usando il tasto di comando.
8. Per spegnere il barbecue, spegnere direttamente il gas o il regolatore e portare tutti gli elementi di comando nuovamente su "OFF".

ATTENZIONE: Se il bruciatore non si accende, chiudere la manopola (senso orario) e chiudere anche la bombola del gas. Attendere cinque minuti prima di riprovare a riaccendere con la sequenza di accensione.

PULIZIA E MANUTENZIONE

ATTENZIONE: Tutte le operazioni di pulizia e manutenzione devono essere eseguite quando il barbecue è freddo e con l'alimentazione del carburante SPENTA sul cilindro del gas.

PULIZIA

"Bruciare" il barbecue dopo ogni uso (per circa 15 minuti) ridurrà al minimo i residui di cibo.

SUPERFICIE ESTERNA

Usare un detergente leggero o bicarbonato di sodio sciolti in acqua calda. Sulle macchie ostinate usare un detergente in polvere non abrasivo, quindi sciacquare con acqua. Se la superficie interna del coperchio del barbecue assume l'aspetto di vernice scrostata, vuol dire che un accumulo di grasso bruciato si è trasformato in carbone e si sta sfaldando. Pulire in profondità con una soluzione densa di acqua saponata. Sciacquare con acqua e lasciare asciugare completamente. **NON USARE MAI DETERGENTI DA FORNO.**

INTERNO DELLA BASE DEL BARBECUE

Eliminare i residui usando un pennello, un raschietto e/o una spugnetta poi lavare con una soluzione di acqua saponata. Sciacquare con acqua e lasciare asciugare.

GRIGLIA DI COTTURA

Usare una soluzione leggera di acqua saponata. Sulle macchie ostinate usare un detergente in polvere non abrasivo, quindi sciacquare con acqua.

PULIZIA DEL GRUPPO DEL BRUCIATORE

Portare il tasto di controllo del gas su SPENTO e scollegare il cilindro. Togliere la griglia raffreddata. Pulire il bruciatore con un pennello morbido o con un getto di aria compressa, poi pulire con un panno. Liberare tutti gli ugelli ostruiti con uno scovolino o filo rigido (come un fermaglio aperto). Controllare eventuali danni al bruciatore (spaccature o fori). In caso di danni al bruciatore, sostituirlo con uno nuovo. Reinstallare il bruciatore, controllare che le aperture della valvola del gas siano correttamente posizionate e fissate all'interno dell'ingresso del bruciatore (venturi).

MANUTENZIONE

La manutenzione del barbecue deve essere eseguita manualmente da un professionista competente e registrato.

AMBIENTE

Quando raggiunge il termine della sua durata di vita, portare questo prodotto presso un centro di raccolta per il riciclo di apparecchi elettrici ed elettronici. Fare riferimento alle indicazioni e ai simboli presenti sul prodotto, all'interno delle istruzioni oppure sulla confezione. Rivolgersi agli uffici comunali per l'indirizzo del punto di raccolta a voi più vicino.

GRIL BARBECUE

DŮLEŽITÉ

- Pozorně si přečtěte následující instrukce a ujistěte se, že je gril umístěn na vhodném místě, správně sestavený a udržovaný. Nedodržení těchto instrukcí může způsobit vážné zranění a/nebo škodu na majetku. **USCHOVEJTE K POZDĚJŠÍMU NAHLÉDNUTÍ.**
- Máte-li otázky ohledně montáže nebo fungování tohoto výrobku, kontaktujte prodejce nebo dodavatele zkapalněného ropného plynu.
- Ujistěte se, že spotřebič a nádoba s PLYNEM stojí na rovném povrchu.
- Spotřebič nikdy nepodpalujte s uzavřenou DIGESTOŘÍ.
- Boční hořák nikdy nepodpalujte ani nepoužívejte se zavřeným víkem.
- Gril můžete používat s plynovou láhví o objemu 6 až 11 kg.
- Při podpalování grilu musíte bezpodmínečně dodržovat následující:
- Boční a zadní část: 1 metr od jakékoliv překážky.
- Prostor nad spotřebičem: **ODSTRAŇTE VŠECHNY PŘEKÁŽKY NAD SPOTŘEBIČEM.**
- **NEPOUŽÍVEJTE UVNITŘ.**
- **VAROVÁNÍ: VOLNĚ PŘÍSTUPNÉ ČÁSTI MOHOU BÝT VELMI HORKÉ. UDRŽUJTE MIMO DOSAH MALÝCH DĚTÍ.**
- **BĚHEM VAŘENÍ SE SPOTŘEBIČEM NEHÝBEJTE.**

JESTLIŽE UCÍTÍTE PLYN

- Odpojte od grilu přívod plynu
- Uhasťte jakýkoliv otevřený oheň
- Zvedněte víko
- Pokud zápach přetrvává, odstupte od spotřebiče a ihned zavolejte dodavatele plynu nebo hasiče.
- Propanovou LPG láhev skladujte alespoň 4 m od spotřebiče.
- Benzín a jiné tekutiny s výbušnými parami neskladujte a ani s nimi nemanipulujte ve vzdálenosti menší než 8 m od tohoto nebo jakéhokoliv jiného podobného spotřebiče.
- Plynové láhve (nepřipojené) byste nikdy neměli skladovat v blízkosti tohoto nebo jakéhokoliv podobného spotřebiče.

UPOZORNĚNÍ

1. Gril je určen pouze k venkovnímu použití a nesmí se používat uvnitř budov, garáží nebo jiných uzavřených prostor.
2. Gril není určen ke komerčnímu využití.
3. Gril se smí používat pouze s propanovou LPG SMĚSÍ. Použití zemního plynu nebo přestavba produktu tak, aby jej využíval, je nebezpečná.
4. Charakteristika LPG:
 - a. LPG je hořlavý a pokud se s ním zachází nesprávně, také nebezpečný. Před použitím jakéhokoliv LPG produktu čtěte pečlivě technické parametry.
 - b. LPG je pod tlakem výbušný, těžší než vzduch a usazuje se v obláčích nízko u země.
 - c. LPG v přirozeném stavu je bez zápachu. Kvůli bezpečnosti se přidává látka, která páchne jako zkažené zelí.
 - d. Kontakt s LPG může způsobit popálení mrazem.
5. Plynová láhev musí být vybavena ventilem.
6. Plynová láhev musí být vybavena límcem, který chrání ventil.
7. Nepoužívejte LPG láhev s poškozeným obalem, ventilem, obrubou či dnem.
8. Promáčknuté či zrezavělé LPG láhve mohou být nebezpečné a před použitím by je měl zkontrolovat dodavatel LPG.
9. LPG láhev je nutno chránit před pádem nebo hrubým zacházením.
10. LPG láhev se musí skladovat ve venkovních prostorách, mimo dosah dětí a nesmí se skladovat v budově, garáži nebo jiném uzavřeném prostoru. LPG láhev se nesmí skladovat v místě, kde teploty překračují 50°C.
11. Plnou plynovou láhev neskladujte ve vyhřátém autě nebo kufru. Horko způsobí zvýšení tlaku plynu, což může způsobit otevření pojistného ventilu a únik plynu.
12. Nikdy nepřipojujte gril k samostatné LPG jednotce obytného přívěsu, obytného auta či domu.
13. Užívání alkoholu, léků na předpis i volně prodejných léků může ovlivnit schopnost správně sestavit či bezpečně obsluhovat spotřebič.
14. S tímto výrobkem nikdy nepoužívejte dřevěné uhlí, tekuté podpalovače, lávové kameny, benzín, petrolej či alkohol.
15. Kontrolu úniku plynu provádějte i tehdy, pokud montáž prováděl někdo jiný.
16. Jestliže plyn uniká, spotřebič neuvádějte do provozu. Únik plynu může způsobit požár či explozi.
17. Před uvedením do provozu je nutné provést všechny úkony kontroly úniku plynu. Abyste při kontrole úniku plynu zabránili požáru či explozi:
 - a. Před podpálením grilu a pokaždé, když připojíte plynovou láhev, proveďte kontrolu úniku plynu.
 - b. Nekuřte. Při provádění kontroly úniku plynu se držte mimo dosah zdrojů vznícení.
 - c. Kontrolu úniku plynu provádějte venku v dobře větraném prostoru.
 - d. Ke kontrole úniku plynu nepoužívejte zápalky, zapalovače ani plamen.
 - e. Nepoužívejte gril, dokud nebude únik plynu vyřešen. Pokud únik plynu neumíte vyřešit, odpojte přívod LPG.
18. Ve vzdálenosti 8 m od spotřebiče neskladujte a nepracujte s benzínem, jinými hořlavými tekutinami či párami.
19. Nepoužívejte v prostředí s nebezpečím výbuchu. Na plochu grilu nepokládejte žádné hořlavé látky.
20. Gril vždy udržujte ve vzdálenosti nejméně 1 m od hořlavých látek a povrchů. Nepoužívejte gril nebo jiné plynové produkty pod nebo v blízkosti nechráněných hořlavých konstrukcí.
21. Je nanejvýš důležité, aby prostor s ventilem grilu, hořáky a cirkulační větrací otvory byly čisté. Gril zkontrolujte před každým použitím.
22. Gril žádným způsobem nepozměňujte.
23. Nepoužívejte gril, dokud nebude KOMPLETNĚ sestaven a všechny části bezpečně upevněny a utaženy.
24. Gril byste měli pravidelně čistit a kontrolovat. Před používáním spotřebiče vždy zkontrolujte a očistěte hadici. Pokud vidíte známky odření, opotřebení, proříznutí nebo úniku plynu, hadici musíte před používáním spotřebiče vyměnit.
25. Používejte pouze výrobcem schválené součástky. Používání součástek, které nejsou schváleny výrobcem, může být nebezpečné.
26. Před používáním spotřebiče si přečtěte oddíl „Návod k použití“ v tomto manuálu.
27. Aby nedošlo k popálení, nedotýkejte se kovových částí grilu, dokud zcela nezchladne (zhruba 45 minut).
28. Při vaření byste měli mít při ruce hasicí přístroj. Pokud dojde k vzplanutí tuku, nehaste vodou. K hašení používejte suchý chemický hasicí přístroj třídy ABC nebo plameny uhasťte hlinou, pískem či jedlou sodou.
29. Neinstalujte ani nepoužívejte na lodích a podobných rekreačních dopravních prostředcích.
30. Gril nepoužívejte při silném větru.
31. Při podpalování se nikdy nenahýbejte nad gril.
32. Nenechávejte zapálený gril bez dozoru. **VAROVÁNÍ!** Vždy udržujte z dosahu dětí a domácích mazlíčků.
33. Nehýbejte grilem, pokud se používá. Před přesouváním nebo uskladněním nechte gril vychladnout.
34. Gril se smí skladovat ve vnitřních prostorách, POUZE pokud je plynová láhev odpojena a řádně skladována mimo obytné prostory.
35. Víko grilu vždy otvírejte opatrně a pomalu – horko a pára pod ním mohou způsobit těžké popáleniny.
36. Neodpojujte regulátor od plynové láhve nebo plynové armatury, pokud je gril v provozu.
37. Gril vždy umísťujte na pevný a rovný povrch. Povrch by měl být schopný odolat teplotám vysokým až 50°C.
38. Při používání na dřevěné podlaze buďte vždy extrémně obezřetní.
39. Hadice vedoucí ke zdroji plynu vždy umísťujte tak daleko od horkých povrchů a kapajícího horkého tuku, jak jen to je možné.
40. Elektrické kabely udržuje mimo dosah horkého grilu.
41. Gril nepoužívejte k vaření v uzavřených prostorách ani k vytápění. Nahromaděné toxické výpary mohou způsobit udušení.
42. Po delší době skladování a/nebo pokud spotřebič nepoužíváte, zkontrolujte, zda neuniká plyn, hořáky nejsou ucpané a zda hadice není prodřená, opotřebovaná nebo proříznutá.
43. Pokud při podpalování hořáku neotevřete víko nebo pokud nevyčkáte 5 minut, dokud se plyn nerozptýlí, pokud se nepovedlo gril podpálit, může to mít za následek vzplanutí a explozi.
44. Pokud gril nepoužíváte, plyn u regulátoru a plynové láhve musí být odpojen.
45. Gril nikdy nepoužívejte bez instalované varné desky.
46. Rezervní plynovou láhev nikdy neskladujte pod nebo v blízkosti spotřebiče.
47. Hadici je nutno vyměnit, pokud to vyžadují okolní podmínky. Používejte doporučený druh a délku.
48. Láhev umístěte vedle grilu tak, aby se hadice nemohla zkroutit.
49. Ujistěte se, že při výměně plynové láhve není v blízkosti žádný zdroj vznícení.
50. Jakékoliv změny na spotřebiči mohou být nebezpečné.
51. Nedodržení pokynů a varování výše může mít za následek smrt, vážné zranění nebo škody na majetku.

SPECIFIKACE VÝROBKU

KÓD SPOTŘEBIČE: X88-000010 / MODELO : G2082	
CELKOVÝ TEPELNÝ PŘÍKON (VŠECHNY KATEGORIE PLYNU)	5,5 kW (400 g/h)
KATEGORIE PLYNU	I3B/P (30)
DRUH PLYNU	PROPANOVÉ LPG SMĚSI
TLAK PLYNU	30 mBar
VELIKOST VSTŘIKOVACÍ TRYSKY	HLAVNÍ: 0,84 mm
IDENTIFIKAČNÍ KÓD	2575DM28150
VAROVÁNÍ: VOLNÉ PŘÍSTUPNÉ ČÁSTI MOHOU BÝT VELMI HORKÉ. UDRŽUJTE MIMO DOSAH MALÝCH DĚTÍ. PŘED POUŽITÍM SPOTŘEBIČE SI PŘEČTĚTE NÁVOD K POUŽITÍ.	
K POUŽITÍ VENKU A V DOBRĚ VĚTRANÝCH PROSTORÁCH.	
PODPALOVÁNÍ HLAVNÍ HOŘÁK: ZAPALOVACÍ JEDNOTKA PIEZO S JEDNÍM VÝBOJEM. KONKRETNÍ PLYN, KTERÝ SE MÁ POUŽÍT: PROPAN (PŘI 30 mBar).	

KÓD SPOTŘEBIČE: X88-000020 / MODELO : G9003B	
CELKOVÝ TEPELNÝ PŘÍKON (VŠECHNY KATEGORIE PLYNU)	8,4 kW (611 g/h)
KATEGORIE PLYNU	I3B/P (30)
DRUH PLYNU	PROPANOVÉ LPG SMĚSI
TLAK PLYNU	30 mBar
VELIKOST VSTŘIKOVACÍ TRYSKY	HLAVNÍ: 0,82 mm
IDENTIFIKAČNÍ KÓD	2575DM28150
VAROVÁNÍ: VOLNÉ PŘÍSTUPNÉ ČÁSTI MOHOU BÝT VELMI HORKÉ. UDRŽUJTE MIMO DOSAH MALÝCH DĚTÍ. PŘED POUŽITÍM SPOTŘEBIČE SI PŘEČTĚTE NÁVOD K POUŽITÍ.	
K POUŽITÍ VENKU A V DOBRĚ VĚTRANÝCH PROSTORÁCH.	
PODPALOVÁNÍ HLAVNÍ HOŘÁK: ZAPALOVACÍ JEDNOTKA PIEZO S JEDNÍM VÝBOJEM. KONKRETNÍ PLYN, KTERÝ SE MÁ POUŽÍT: PROPAN (PŘI 30 mBar).	

MONTÁŽ

PŘIPOJENÍ PLYNOVÉ LÁHVE KE SPOTŘEBIČI

Spotřebič je určen k použití pouze s ohebnou hadicí a s nízkotlakým propan butanem (LPG směsí) doplněným vhodným nízkotlakým regulátorem. Hadice musí být připojena k regulátoru a spotřebiči pomocí hadicové spony. Gril je určen k provozu s 30mbarovým regulátorem a s LPG směsí. Ohledně vhodného regulátoru k plynové láhvi kontaktujte prodejce LPG.

REGULÁTOR A HADICE

Toto zboží nedodáváme s grilem, koupíte je u prodejce příslušenství nebo u autorizovaného dodavatele LPG plynů. Používejte pouze regulátory a hadice schválené pro LPG plyny výše uvedeného tlaku. Odhadovaná životnost regulátoru je 10 let. Regulátor doporučujeme vyměnit po 10 letech od data výroby. Používání nevhodného regulátoru nebo hadice není bezpečné. Před zapnutím grilu vždy zkontrolujte, že máte správné díly. Opatřovanou nebo poškozenou hadici musíte vyměnit. Ujistěte se, že hadice není ucpaná, zauzlovaná nebo v kontaktu s jinou částí grilu než u propojení. Hadice musí splňovat příslušné standardy v zemi, kde se používá.

SKLADOVÁNÍ SPOTŘEBIČE

Spotřebič se smí skladovat uvnitř pouze tehdy, je-li plynová láhev odpojena od spotřebiče. Pokud spotřebič dlouho nepoužíváte, měl by být skladován v původním obalu v suchém a bezprašném prostředí.

PLYNOVÁ LÁHEV

Plynovou láhev je nutno chránit před pádem nebo hrubým zacházením. Pokud spotřebič nepoužíváte, plynová láhev se musí odpojit. Po odpojení plynové láhve od spotřebiče nasadte na plynovou láhev ochranný kryt. Plynové láhve se musí skladovat

mimo obytné prostory a mimo dosah dětí. Plynová láhev se nesmí skladovat při teplotách vyšších než 50°C. Neskladujte v blízkosti ohně, věčného plamínku a dalších zdrojů vznícení. NEKUŘTE.

Gril je určen k venkovnímu použití a mimo dosah hořlavých materiálů. Je důležité, aby nad spotřebičem nebyly žádné překážky a aby na bocích a zezadu byla mezera alespoň 1 metr. Je důležité, aby ventilační otvory na spotřebiči nebyly ničím zakryté. Gril používejte na rovném, pevném povrchu. Spotřebič chraňte před průvanem a umístěte jej tak, aby byl chráněn před přímým kontaktem s tekoucí vodou. Části, které jsou z výroby nebo prodejcem znepřístupněné, nesmí uživatel pozměňovat. Gril byste neměli nijak pozměňovat a opravy a údržbu by měl provádět pouze autorizovaný servisní technik.

PŘIPOJENÍ KE SPOTŘEBIČI

Před připojením se ujistěte, že v hlavě plynové láhve, v regulátoru, v hořáku ani v otvorech hořáku neulpěl žádný odpad. Uvnitř se mohou usadit pavouci a hmyz a ucpat hořák / Venturiho trubici na vstupu. Ucpaný hořák může způsobit požár ve spodní části spotřebiče. Připojte hadici ke spotřebiči a pomocí klíče utáhněte připojovací závit. Pokud hadici měníte, musí být připevněna ke spotřebiči a k připojení regulátoru pomocí hadicové spony. Pokud gril nepoužíváte, odpojte regulátor od láhve (v souladu s návodem, který je dodáván s regulátorem). Gril je nutno používat v dobře větraném prostoru. Nebraňte proudění spalovacího vzduchu do hořáku, pokud je gril v provozu. GRIL POUŽÍVEJTE POUZE VENKU.

PŘED POUŽITÍM ZKONTROLUJTE, ZDA NEDOCHÁZÍ K ÚNIKU PLYNU

Únik plynu nikdy neověřujte otevřeným ohněm; vždy používejte roztok mýdlové vody.

KONTROLA ÚNIKU PLYNU

Připravte asi 60-90 ml roztoku k ověření úniku plynu (1 díl přípravku na mytí nádobí, 3 díly vody). Ujistěte se, že kontrolní ventil je vypnutý. Připojte regulátor k láhvi a spínací ventil k hořáku, ujistěte se, že je vše pevně připojeno, poté plyn OTEVŘETE. Na hadici a všechny spoje aplikujte mýdlový roztok. Pokud se objeví bubliny, plyn uniká, což je nutno před použitím napravit. Jakmile chybu opravíte, zkuste test znovu. Po dokončení testování přívod plynu z láhve VYPNĚTE. Pokud zjistíte únik plynu, s kterým si neporadíte, nepokoušejte se jej napravovat a kontaktujte dodavatele plynu!

NÁVOD K POUŽITÍ

Při sestavování grilu postupujte přesně podle návodu. Připojte plynovou hadici ke grilu. Připojte k hadici regulátor. Připojte regulátor k ventilu láhve podle návodu, který je dodáván s regulátorem. Před připojením přívodu plynu ke spotřebiči otočte všechny ovládací knoflíky do polohy VYPNUTO. S

regulátorem zacházejte v souladu s návodem, který je dodáván s regulátorem.

ZAPÁLENÍ VAŠEHO GRILU (HLAVNÍ HOŘÁK)

INSTRUKCE AN ZAPÁLENÍ
MODELO G2082 / X88-000010

- Otevřete kryt.
- Otočte všechny ovládací knoflíky ve směru hodinových ručiček do polohy "OFF".
- Připojte regulátor plynu k plynové láhvi a spotřebiči. Zapněte přívod plynu na plynové láhvi. Pomocí mýdlové vody zkontrolujte, zda nedochází k úniku plynu mezi láhví a regulátorem plynu.
- Stiskněte levý ovládací knoflík a otočte ho proti směru hodinových ručiček do polohy "plný výkon", přičemž stiskněte tlačítko piezo zapalování 4-5 krát. To zapálí hořák. Sledujte, zda se hořák zapálil. Pokud ne, tento postup zopakujte.
- Pokud hořák po opětovném zapnutí nehoří, počkejte 5 minut a opakujte krok 3.
- Teplotu upravte otočením knoflíku do polohy High / Low.
- Pokud hořák nehoří. Spotřebič zapalte zápalkou pomocí zapalovacího otvoru v boku spotřebiče.
- Pokud chcete zapálit pravý hořák, otočte ovládací knoflík na pravé straně do polohy s plným výkonem, aby se rozhořel levý hořák. Spotřebič vždy zapalujte z levého hořáku na pravou stranu.
- Vypnutí grilu: Zavřete ventil plynové láhve a potom otočte ovládací knoflíky na přístroji ve směru hodinových ručiček do polohy "VYPNUTO". (OFF)

MODELO G9003B / X88-000020

- Otevřete kryt.
- Otočte všechny ovládací knoflíky ve směru hodinových ručiček do polohy "OFF".
- Připojte regulátor plynu k plynové láhvi a spotřebiči. Zapněte přívod plynu na plynové láhvi. Pomocí mýdlové vody zkontrolujte, zda nedochází k úniku plynu mezi láhví a regulátorem plynu.
- Stiskněte druhé ovládací tlačítko, označené symbolem blesku (⚡) a současně jej přepněte do polohy „HI“. Následně by zapalování mělo jiskřit a zažehnout hlavní hořák.
- Je možné zapalovat ostatní hořáky, když signální světlo hlavního hořáku (⚡) ukazuje, že svítí.
- Pokud proces zapalování nefunguje, otočte tlačítko do polohy „VYPNUTO“, chvíli počkejte a opakujte krok 4.
- Pomocí ovládacího tlačítka nastavte plamen na požadovanou sílu.
- Chcete-li gril vypnout, vypněte přímo plyn nebo regulátor a otočte všechna ovládací tlačítka zpět do polohy „OFF“.

VAROVÁNÍ: Pokud se hořák nezapálí, vypněte ovládací knoflík (ve směru hodinových ručiček) a také zavřete ventil plynové láhve. Počkejte pět minut, dokud se pokusíte znovu zapalovat.

ČIŠTĚNÍ A ÚDRŽBA

UPOZORNĚNÍ: Čištění a údržbu provádějte, až grill zchladne, a po vypnutí přívodu plynu na plynové láhvi.

ČIŠTĚNÍ

Tzv. „vypálení“ grilu po každém použití (cca 15 minut) snižuje zanášení zbytky jídla na minimum.

VNĚJŠÍ POVRCH

Použijte jemný roztok přípravku na mytí nádobí a horké vody nebo jedlé sody a horké vody. Na odolnou špínu můžete použít neabrazivní čistící písek, poté omyjte vodou. Pokud se zdá, jako by se z vnitřního povrchu víka odlupovala barva, znamená to, že připálený tuk zuhelnatěl a odlupuje se. Víko pečlivě umyjte roztokem mýdlové vody. Omyjte vodou a nechte zcela vyschnout. **NEPOUŽÍVEJTE ČISTÍCÍ PROSTŘEDEK NA TROUBY.**

VNITŘEK ZÁKLADNY GRILU

Zbytky odstraňte pomocí kartáče, škrabky a/nebo čistící houbičky, následně omyjte roztokem mýdlové vody. Omyjte vodou a nechte uschnout.

MŘÍŽKA

Použijte jemný roztok mýdlové vody. Na odolnou špínu můžete použít neabrazivní čistící písek, poté omyjte vodou.

ČIŠTĚNÍ HOŘÁKU

Otočným knoflíkem **VYPNĚTE** plyn a odpojte láhev. Sundejte zchladlý rošt. Hořák očistěte jemným kartáčkem nebo stlačeným vzduchem a otřete hadříkem. Zanesené otvory vyčistěte čistěčem dýmek nebo tuhým drátem (například rozevřenou kancelářskou svorkou). Zkontrolujte, zda hořák není poškozený (praskliny nebo díry). Pokud zjistíte poškození, hořák vyměňte. Hořák znovu připojte, ujistěte se, že otvory plynového ventilu jsou správně umístěné a upevněné v přívodu hořáku (venturi).

SERVIS

Plynový grill by měl jednou ročně zkontrolovat kvalifikovaný odborník.

ŽIVOTNÍ PROSTŘEDÍ

Když tento výrobek dosáhne své doby životnosti, odnešte ho na sběrné místo určené pro recyklaci elektrických a elektronických zařízení. Podívejte se prosím na symboly na výrobku, v návodu, nebo na obalu. Obrátte se na obecní úřad v místě vašeho bydliště, kde by vám měli poskytnout adresu na příslušné sběrné místo ve vašem okolí.

P

CHURRASCO

IMPORTANTE

– Leia as instruções seguintes cuidadosamente e certifique-se que o seu grelhador está instalado correctamente

e com boa manutenção. Não seguir as instruções pode causar ferimentos graves e danos patrimoniais. **MANTER PARA REFERÊNCIA FUTURA.**

- Quaisquer questões relacionadas com a montagem ou utilização deste aparelho, contacte o seu fornecedor de gás LP.
- Certifique-se que o aparelho e o tanque de GÁS encontram-se numa superfície plana quando usado no solo.
- Nunca acenda o aparelho com a CAPOTA na posição fechada.
- Nunca acenda ou use o queimador lateral com a tampa na posição fechada.
- O grelhador pode ser usado com uma botija de 6 a 11 Kg.
- Quando acender o grelhador, as seguintes distâncias devem ser respeitadas:
 - Lados e parte de trás do aparelho: 1 metro sem qualquer obstrução.
 - Acima do aparelho: **NENHUMA OBSTRUÇÃO.**
 - **UTILIZE SOMENTE EM EXTERIORES.**
 - **AVISO: AS PEÇAS ACESSÍVEIS PODEM ESTAR MUITO QUENTES. MANTENHA AS CRIANÇAS AFASTADAS**
 - **NÃO MOVA O APARELHO DURANTE A UTILIZAÇÃO.**

SE CHEIRAR GÁS

- Feche imediatamente a entrada de gás para o grelhador.
- Extinga as chamas.
- Abra a tampa.
- Se o odor persistir, afaste-se do aparelho, chame o fornecedor de gás ou os bombeiros.
- Não armazene cilindros de propano LPG a menos de 4 metros do aparelho.
- Não armazene ou utilize petróleo ou outros líquidos com vapores inflamáveis a menos de 8 metros deste aparelho ou aparelhos similares.
- Tanques de gás não ligados não devem ser armazenados na proximidade do aparelho ou aparelhos similares.

AVISOS

1. Este grelhador deve ser utilizado somente em exteriores, não deve ser utilizado em edifícios, garagens ou outras áreas fechadas.
2. Este grelhador **NÃO** é para uso comercial.
3. Este grelhador só deve ser utilizado com **MISTURA** de propano LPG. Utilizar gás natural ou converter o aparelho para o poder utilizar é perigoso.
4. Características do LPG:
 - a. LPG é inflamável e perigoso se utilizado incorrectamente. Leia as especificações cuidadosamente antes de utilizar qualquer aparelho LPG.

b. LPG é explosivo sob pressão, mais pesado do que o ar e acumula-se em poças em zonas baixas.

c. LPG é um gás no seu estado natural e não tem odor. Para efeitos de segurança, um odorante é adicionado, com cheiro a couve podre.

d. Contacto com LPG pode causar frieiras na pele.

5. O tanque e gás deve ser equipado com uma válvula de tanque.
6. O tanque de gás deve ser equipado com uma gargantilha para proteger a válvula.
7. Nunca utilize um tanque LPG com o corpo, válvula, gargantilha ou base danificadas.
8. Tanques LPG dentados ou enferrujados podem ser perigosos e devem ser verificados pelo seu fornecedor antes de utilizar.
9. Não deve manusear com brusquidão ou deixar cair o tanque LPG.
10. O tanque LPG deve ser armazenado em exteriores, fora do alcance de crianças. Não deve ser armazenado em edifícios, garagens ou qualquer área fechada. Nunca deve ser armazenado onde temperaturas sejam superiores a 50°C.
11. Não guarde um tanque LPG no interior de um carro quente ou bagageira. Nestas situações, a pressão do gás pode aumentar, abrindo a válvula de escape, o que irá permitir que o gás escape.
12. Não tente montar este grelhador directamente a um sistema de LPG de um trailer de campismo, roulotte ou habitação.
13. A ingestão de álcool, drogas prescritas ou não-prescritas pode incapacitar o utilizador de montar ou usar em segurança este aparelho
14. Nunca utilize carvão, fluido de isqueiro, rochas de lava, petróleo, parafina ou álcool com este aparelho.
15. Verifique se existem fugas no aparelho, mesmo se este foi montado por outrem.
16. Não utilize o aparelho se existirem fugas de gás. Estas podem causar incêndios ou explosões.
17. Siga sempre os procedimentos de verificação de fugas antes de utilizar. Para evitar incêndios ou explosões, quando testar se existem fugas:
 - a. Execute a verificação de fugas antes de acender o grelhador e cada vez que ligar um tanque para utilização.
 - b. Não fume. Mantenha afastado de fontes de ignição quando executar o teste de fugas.
 - c. Faça o teste de fugas em exteriores numa área bem ventilada.

- d. Não utilize fósforos, isqueiros ou chamas para verificar se existem fugas.
 e. Não utilize o grelhador até que uma fuga seja corrigida. Se não conseguir corrigir a fuga, desligue do tanque LPG.
18. Não utilize ou armazene petróleo, outros líquidos ou vapores inflamáveis a menos de 8 m de distância.
 19. Não utilize em atmosferas explosivas. Mantenha a área do grelhador limpa e livre de materiais combustíveis.
 20. Mantenha todos os combustíveis e superfícies a pelo menos 1 m de distância do grelhador. Não utilize este grelhador ou aparelhos similares com uma cobertura por cima ou perto de estruturas combustíveis desprotegidas.
 21. É essencial que mantenha o compartimento da válvula, queimadores, e aberturas de circulação de ar limpas. Inspeccione o grelhador antes de cada utilização.
 22. Não altere o grelhador de qualquer maneira.
 23. Não utilize o grelhador até que este esteja **COMPLETAMENTE** montado, todas as peças apertadas seguramente.
 24. Este grelhador deve ser limpo e inspecionado regularmente. Mantenha limpa a mangueira regularmente e inspecione-a antes de cada utilização. Se existirem sinais de abrasão, desgaste, cortes ou fugas na mangueira, esta deve ser substituída antes de voltar a utilizar.
 25. Utilize somente peças autorizadas pelo fabricante. Peças não autorizadas podem causar perigo.
 26. Não utilize este aparelho antes de ler a secção "Instruções de Utilização".
 27. Para evitar queimaduras, não toque nas partes metálicas do grelhador até que este arrefeça completamente (cerca de 45 minutos).
 28. Quando cozinhar, equipamento de extinção de fogos deve estar sempre facilmente acessível. No caso de incêndio com gordura, não tente apagar com água. Utilize extintor químico seco do tipo ABC para apagar. Para diminuir as chamas, utilize areia, poeira ou bicarbonato de sódio.
 29. Não instale ou utilize em barcos ou veículos de recreio.
 30. Não utilize o grelhador com ventos fortes.
 31. Não se incline para o grelhador quando o acender.
 32. Não deixe o grelhador sozinho quando em utilização. **AVISO!** Mantenha fora do alcance de crianças e animais domésticos.
 33. Não tente mover o grelhador quando em utilização. Deixe o grelhador arrefecer antes de o mover ou guardar.
 34. Só deve guardar em interiores, se o tanque estiver desligado, removido do grelhador e guardado em exteriores.
 35. Abra sempre a tampa do grelhador com cuidado e devagar, pois o calor e vapor contidos no interior podem causar queimaduras graves.
 36. Não tente desligar o regulador do gás do tanque ou qualquer outra peça quando o grelhador estiver a ser utilizado.
 37. Coloque sempre o grelhador numa superfície dura e nivelada. A superfície deve ser adequada para resistir a um aumento de temperatura de 50°C.
 38. Tome cuidado com superfícies de madeira.
 39. Mantenha a mangueira de gás o mais afastada possível de superfícies quentes e gordura quente a pingar.
 40. Mantenha todos os cabos eléctricos fora do alcance do grelhador quente.
 41. Não utilize o grelhador em interiores ou para aquecimento. Fumos tóxicos podem acumular-se e causar asfixia.
 42. Depois de um longo período de armazenamento e/ou não utilização, verifique se existem fugas, obstruções no queimador e inspeccione se existem abrasões, desgastes ou cortes na mangueira.
 43. Se não abrir a tampa ao acender o queimador do grelhador ou não esperar 5 minutos se não conseguir acender o queimador (para deixar o gás evaporar), pode resultar numa chama explosiva.
 44. Se o grelhador não estiver a ser utilizado, deve desligar o gás no tanque e regulador.
 45. Não utilize o grelhador sem as placas de aquecimento instaladas.
 46. Não guarde um tanque de LPG extra por baixo do grelhador ou perto deste.
 47. A tubagem deve ser substituída sempre que necessário. Utilize o tipo e tamanho especificados.
 48. Posicione o tanque perto do grelhador, de maneira a que a mangueira não torça.
 49. Certifique-se que está longe de qualquer fonte de ignição quando o tanque LPG.
 50. Modificações ao aparelho são consideradas perigosas.
 51. Se não seguir estritamente as instruções e avisos acima, pode causar ferimentos, danos patrimoniais ou mesmo morte.

ESPECIFICAÇÃO DO APARELHO

CÓDIGO DO APARELHO: X88-000010 / MODELO : G2082	
ENTRADA DE CALOR TOTAL (TODAS AS CATEGORIAS DE GÁS)	5,5 kW (400 g/h)
CATEGORIA DE GÁS	I3B/P (30)
TIPOS DE GÁS	MISTURA PROPANO LPG
PRESSÃO DO GÁS	30 mBar
TAMANHO DO INJECTOR	PRINCIPAL: 0,84 mm
CÓDIGO DE IDENTIFICAÇÃO	2575DM28150
AVISO: PARTES EXTERIORES PODEM ESTAR MUITO QUENTES. MANTENHA FORA DO ALCANCE DE CRIANÇAS. LEIA AS INSTRUÇÕES ANTES DE UTILIZAR O APARELHO.	
PARA UTILIZAÇÃO EM EXTERIORES E ÁREAS BEM VENTILADAS	
IGNIÇÃO UNIDADE DE IGNIÇÃO PIEZOELECTRICA DE TIRO ÚNICO. GÁS A SER UTILIZADO: PROPANO (A 30 mBar).	

CÓDIGO DO APARELHO: X88-000020/ MODELO : G9003B	
ENTRADA DE CALOR TOTAL (TODAS AS CATEGORIAS DE GÁS)	8,4 kW (611 g/h)
CATEGORIA DE GÁS	I3B/P (30)
TIPOS DE GÁS	PROPANO/LPG SM/ESI
PRESSÃO DO GÁS	30 mBar
TAMANHO DO INJECTOR	PRINCIPAL: 0,82 mm
CÓDIGO DE IDENTIFICAÇÃO	2575DM28150
AVISO: PARTES EXTERIORES PODEM ESTAR MUITO QUENTES. MANTENHA FORA DO ALCANCE DE CRIANÇAS. LEIA AS INSTRUÇÕES ANTES DE UTILIZAR O APARELHO.	
PARA UTILIZAÇÃO EM EXTERIORES E ÁREAS BEM VENTILADAS	
IGNIÇÃO UNIDADE DE IGNIÇÃO PIEZOELECTRICA DE TIRO ÚNICO. GÁS A SER UTILIZADO: PROPANO (A 30 mBar).	

MONTAGEM

LIGAR O TANQUE DE GÁS AO APARELHO

Este aparelho só deve ser utilizado com gás propano a baixa pressão (misturas LPG), com o apropriado regulador de baixa pressão através de uma mangueira flexível. A mangueira deve ser presa ao regulador e ao aparelho através de clips. Este grelhador deve ser utilizado com um regulador de 30 mbar com misturas LPG. Consulte o seu fornecedor de LPG para mais informações acerca de um regulador adequado para o tanque de gás.

REGULADOR E MANGUEIRA

Estes itens não são fornecidos com o grelhador, mas podem ser comprados no seu fornecedor habitual de gás LPG. Use somente reguladores e mangueiras aprovados para gás LPG e às pressões acima. A expectativa de vida útil de um regulador é de cerca de 10 anos. Recomenda-se, portanto, que mude de regulador 10 anos depois da data de fabrico.

O uso de reguladores ou mangueiras erradas é perigoso. Verifique sempre se tem os itens correctos antes de utilizar o grelhador.

Mangueiras usadas ou danificadas devem ser substituídas. Certifique-se que a mangueira não está obstruída, torcida ou em contacto com outras partes do grelhador sem ser a ligação.

A mangueira deve seguir os regulamentos do País de utilização.

ARMAZENAR O APARELHO

Só deve armazenar o aparelho em interiores se o cilindro está desligado e removido do aparelho. Se não utilizar o aparelho durante longos períodos de tempo, deve guardá-lo na embalagem original e armazenar num ambiente seco e livre de poeira.

TANQUE DE GÁS

Não deve manusear com brusquidão ou deixar cair o tanque de gás! Se o aparelho não estiver a ser utilizado deve desligar e separar o cilindro. Coloque a tampa protectora do cilindro de seguida. Os cilindros devem ser armazenados em exteriores numa posição vertical e fora do alcance de crianças. Os cilindros não devem ser armazenados em locais com temperaturas superiores a 50°C. Não armazene perto de chamas, luzes piloto e outras fontes de ignição. **NÃO FUME.**

Este grelhador foi criado para ser utilizado em exteriores, fora do alcance de materiais inflamáveis. É importante que não existam obstruções na parte superior do grelhador e que exista uma distância mínima de 1 metro dos lados e da parte de trás. É também importante que as aberturas de ventilação não estejam obstruídas.

Este grelhador deve estar assente numa superfície nivelada e estável. Deve ser protegido de chuva directa e fora do alcance de água corrente. As partes seladas pelo fabricante ou os seus agentes não devem ser alteradas pelo utilizador. Não deve modificar qualquer parte do grelhador e reparações e manutenção deve ser feita por pessoal autorizado.

LIGAÇÃO AO APARELHO

Antes de ligar o aparelho, verifique se existem detritos na cabeça do cilindro de gás e no regulador. queimador e nas aberturas do queimador. Aranhas e outros insectos podem criar ninhos e entupir o queimador nas entradas. Um queimador entupido pode originar um incêndio na parte inferior do aparelho. Ajuste a mangueira ao aparelho utilizando uma chave de fendas para a apertar na conexão. Se substituir a mangueira, deve segurá-la ao aparelho e regulador com clips de mangueira. Quando o grelhador não estiver a ser utilizado, desligue o regulador do cilindro (de acordo com as direcções fornecidas com o regulador) quando o grelhador não estiver a ser utilizado. O grelhador deve ser utilizado numa área bem ventilada. Não obstrua o fluxo de ar de combustão para o queimador quando o grelhador está em utilização. **SÓ UTILIZE EM EXTERIORES.**

VERIFIQUE SE EXISTEM FUGAS ANTES DE UTILIZAR

Nunca verifique fugas com uma chama, use sempre água com detergente.

VERIFICAR FUGAS

Faça uma solução para detectar fugas, de 60 a 90 ml misturando uma parte de detergente com 3 partes de água. Certifique-se que a válvula de controlo está em "OFF". Ligue o regulador ao cilindro e a válvula ON/OFF ao queimador. Certifique-se que as ligações estão seguras e de seguida, ligue o gás. Aplique a solução na mangueira e todas as juntas. Se aparecerem bolhas, tem uma fuga que deve ser rectificadas antes de utilizar. Depois de fixar, volte a

testar se existem fugas. Desligue o cilindro de gás depois de testar. Se existir fuga e esta não pode ser rectificadas, não tente arranjar e contacte o seu fornecedor de gás.

INSTRUÇÕES DE UTILIZAÇÃO

Monte o grelhador cuidadosamente seguindo as instruções. Ligue a mangueira de gás ao grelhador. Ligue o regulador à mangueira. Ligue o regulador à válvula cilíndrica de acordo com as instruções fornecidas com o regulador. Rode todos os botões de controlo para a posição OFF antes de ligar o gás. Opere o regulador de acordo com as instruções fornecidas com este.

ACENDER O SEU GRELHADOR (QUEIMADOR PRINCIPAL)

INSTRUÇÕES DE ACENDER

MODELO G2082 / X88-000010

1. Abra a tampa
2. Rode todos os botões de controlo no sentido horário para a posição OFF.
3. Ligue o regulador do gás à botija de gás e ao aparelho. Rode a entrada de gás para a posição ON na botija de gás. Verifique se existem fugas de gás entre a botija e o regulador de gás utilizando água com sabão.
4. Empurre para baixo o botão de controlo da esquerda e rode-o no sentido anti-horário até à posição "Full rate" ao mesmo tempo que pressiona a ignição piezo 4 a 5 vezes. Isto irá acender o queimador. Verifique se o queimador acendeu. Caso contrário, repita o processo.
5. Se o queimador não acendeu depois de tentar, espere 5 minutos e repita o passo 3.
6. Ajuste o calor rodando o botão para a posição High/Low.
7. Se o queimador não acender, utilize um fósforo na abertura de acender (parte lateral do aparelho).
8. Para acender o queimador da direita, rode o botão de controlo da direita para a posição máxima. Irá acender o queimador do lado esquerdo. Acenda sempre o aparelho do queimador do lado esquerdo para o queimador do lado direito.
9. Para desligar o grelhador: Feche a válvula da garrafa de gás e rode os botões de controlo no sentido dos ponteiros do relógio para a posição "OFF".

MODELO G9003B / X88-000020

1. Abra a tampa
2. Rode todos os botões de controlo no sentido horário para a posição OFF.
3. Ligue o regulador do gás à botija de gás e ao aparelho. Rode a entrada de gás para a posição ON na botija de gás. Verifique se existem fugas de gás entre a botija e o regulador de gás utilizando água com sabão.
4. Pressione o segundo botão de controlo, identificado por um símbolo de iluminação (☀)

e, ao mesmo tempo, rode para "HI". Com isto a ignição irá criar uma faísca e acender o queimador principal.

5. Pode acender os outros queimadores quando o sinal do queimador principal (☀) está aceso.
6. Se o processo de acender não funcionar, rode o botão para a posição de "OFF", espere alguns instantes e repita o passo 4.
7. Ajuste a chama para a potência desejada, utilizando o botão de controlo.
8. Para desligar o grelhador, desligue o gás ou o regulador directamente, e coloque todos os controlos na posição "OFF".

AVISO: Se o queimador não acender, rode o botão em sentido horário (posição OFF) e desligue a válvula do tanque. Espere cinco minutos antes de tentar reacender com correcta sequência.

LIMPEZA E MANUTENÇÃO

CUIDADO: Toda a limpeza e manutenção deve ser feita com o grelhador arrefecido e o fornecimento de gás desligado, no cilindro.

LIMPEZA

Fazer um "burning off" do grelhador durante 15 minutos irá manter os resíduos de comida no mínimo.

SUPERFÍCIE EXTERIOR

Utilize um detergente suave ou bicarbonato de sódio misturado com água. Pode utilizar pó de limpeza não abrasivo em manchas difíceis. Enxague com água. Se superfície interior da tampa do grelhador parece ter o aspecto de tinta solta, significa que gordura está acumulada e transformou-se em carbono. Limpe exhaustivamente com uma mistura forte de água quente e detergente. Enxague com água e deixe secar. **NÃO UTILIZE PRODUTOS DE LIMPEZA DE FORNOS.**

INTERIOR DA BASE DO GRELHADOR

Remova resíduos utilizando uma escova, raspador e/ou toalhetes de limpeza. De seguida utilize uma solução de água e detergente. Enxague com água e deixe secar.

GRELHA DE COZINHAR

Utilize mistura de água e detergente suave. Pode utilizar pó de limpeza não abrasivo para manchas difíceis. Enxague de seguida.

LIMPEZA DA MONTAGEM DO QUEIMADOR

Desligue o gás no botão de controlo e desligue do cilindro. Remova a grelha. Limpe o queimador com uma escova suave ou utilize ar comprimido, limpando de seguida com um pano. Limpe saídas entupidas com produtos de limpeza de canos ou um cabo rígido (como um clip de papel aberto). Verifique se existem danos no queimador (rachas ou buracos). Se os encontrar, substitua o queimador

Reinstale o queimador, verifique se as aberturas da válvula do gás estão correctamente posicionadas e presas no interior da entrada do queimador.

SERVIÇO

O seu grelhador deve ser inspecionado anualmente por um técnico profissional.

O MEIO AMBIENTE

Quando este produto chegar ao fim da sua vida útil, entregue-o num dos pontos de recolha onde seja feita reciclagem de material eléctrico e electrónico. Tome os símbolos no produto, manual de instruções e embalagem como referência. Contacte a sua Câmara Municipal para endereços de pontos de recolha apropriados na sua vizinhança.

PL GRIL

WAŻNE:

- Przeczytaj uważnie poniższe instrukcje i upewnij się, że Twój grill jest prawidłowo zainstalowany, zmontowany i zadbane. Niezastosowanie się do tych instrukcji może spowodować poważne obrażenia ciała i/lub szkody materialne. **ZACHOWAĆ DO WYKORZYSTANIA W PRZYSZŁOŚCI.**
- W przypadku jakichkolwiek pytań dotyczących montażu lub działania tego produktu należy skontaktować się ze sprzedawcą lub dostawcą gazu LP.
- Upewnij się, że urządzenie i zbiornik gazu stoją na płaskiej powierzchni, gdy są używane na ziemi.
- Nigdy nie zapalaj urządzenia z pokrywą.
- Nigdy nie należy zapalać ani używać palnika bocznego z zamkniętą pokrywą.
- Grilla można używać ze zbiornikiem gazowym o pojemności od 6 do 11 kg.
- Przy rozpalaniu grilla należy ściśle przestrzegać następujących odstępów:
 - Boki i tył urządzenia: 1 metr od wszelkich przeszkód.
 - Nad urządzeniem: NIE SĄ DOZWOLONE ŻADNE PRZESZKODY NAD URZĄDZENIEM.
- UŻYWAĆ TYLKO NA ZEWNĄTRZ.
- **OSTRZEŻENIE: DOSTĘPNE CZĘŚCI MOGĄ BYĆ BARDZO GORAĆE. PROSZĘ TRZYMAĆ MAŁE DZIECI Z DAŁA.**
- NIE PRZESUWAĆ URZĄDZENIA PODCZAS GOTOWANIA.

JĘŚLI POCZUJESZ GAZ

- Odetnij dopływ gazu do grilla
- Zagaś wszelki otwarty płomień
- Otwórz pokrywę
- Jeśli zapach będzie się utrzymywał, należy trzymać się z dala od urządzenia i natychmiast skontaktować się z dostawcą gazu lub strażą pożarną.

- Nie należy przechowywać butli z propanem LPG w odległości mniejszej niż 4 m od urządzenia.
- Nie przechowuj ani nie używaj benzyny lub innych płynów z łatwopalnymi oparami w odległości do 8m od tego lub innego podobnego typu urządzenia.
- Zbiorniki z gazem - (nie podłączone do użytkowania) nie powinny być nigdy przechowywane w pobliżu tego ani żadnego innego podobnego urządzenia.

OSTRZEŻENIA

1. Ten grill jest przeznaczony wyłącznie do użytku na zewnątrz i nie powinien być używany w budynku, garażu lub innym miejscu zamkniętym.
2. Grill ten NIE jest przeznaczony do użytku komercyjnego.
3. Ten grill może być używany tylko butlami na gaz płynny propan/butan (LP GAS MIXURE). Używanie gazu ziemnego lub przerabianie produktu w celu uzyskania takiej możliwości jest niebezpieczne.
4. Charakterystyka gazu LP:
 - a. Gaz LP jest łatwopalny i niebezpieczny w przypadku niewłaściwego obchodzenia się z nim. Przed użyciem jakiegokolwiek produktu z gazem LP należy dokładnie zapoznać się ze specyfikacją.
 - b. Gaz LP jest gazem wybuchowym pod ciśnieniem, cięższym od powietrza i gromadzi się przy podłożu i wypiera stamtąd tlen.
 - c. Gaz LP w stanie naturalnym nie ma zapachu. Dla bezpieczeństwa dodaje się środek zapachowy o zapachu zgniłej kapusty.
 - d. Kontakt z gazem LP może spowodować odmrożenia skóry.
5. Zbiornik gazu musi być wyposażony w zawór zbiornika.
6. Zbiornik gazu musi być wyposażony w kołnierz zbiornika chroniący zawór zbiornika.
7. Nigdy nie wolno używać zbiornika gazu z propanem LP z uszkodzonym korpusem, kołnierzem zaworu lub podstawą.
8. Wgniezione lub zardzewiałe zbiorniki na gaz LP mogą być niebezpieczne i przed użyciem powinny być sprawdzone przez dostawcę gazu LP.
9. Należy unikać upuszczania zbiornika na gaz LP i obchodzić się z nim w ostrożny sposób.
10. Zbiornik paliwa gazowego LP należy składować na zewnątrz, poza zasięgiem dzieci i nie wolno go przechowywać w budynku, garażu lub innym miejscu zamkniętym. Zbiornik paliwa gazowego LP nigdy nie może być przechowywany w miejscach, w których temperatura może przekroczyć 50°C.

11. Nigdy nie trzymać napełnionego zbiornika z gazem LP w nagrzanym samochodzie lub bagażniku. Ciepło spowoduje wzrost ciśnienia gazu, co może spowodować otwarcie zaworu upustowego i wydostanie się gazu.
12. Nigdy nie próbować podłączać tego grilla do samodzielnego systemu gazowego LP przyczepy kempingowej, kampera lub domu.
13. Używanie alkoholu, leków na receptę lub bez recepty może zmniejszyć zdolność konsumenta do prawidłowego montażu lub bezpiecznej obsługi urządzenia.
14. Nigdy nie używać z tym produktem węgla drzewnego, płynu do zapalniczek, skał lawowych, benzyny, parafiny lub alkoholu.
15. Sprawdź, czy nie ma wycieków, nawet jeśli urządzenie było montowane przez kogoś innego.
16. Nie należy obsługiwać urządzenia, jeśli jest ono nieszczelne. Wyciek gazu może spowodować pożar lub eksplozję.
17. Przed rozpoczęciem pracy należy przestrzegać wszystkich procedur kontroli szczelności. Aby zapobiec zagrożeniu pożarem lub wybuchem podczas kontroli szczelności:
 - a. Próbę szczelności należy przeprowadzać zawsze przed włączeniem grilla i każdorazowo po podłączeniu zbiornika do eksploatacji.
 - b. Nie wolno palić tytoniu. Podczas wykonywania próby szczelności należy trzymać się z dala od wszelkich źródeł zapłonu.
 - c. Próbę szczelności należy przeprowadzać na zewnątrz, w miejscu dobrze wentylowanym.
 - d. Nie używać zapalek, zapalniczek ani płomienia do sprawdzania szczelności.
 - e. Nie używać grilla, dopóki nie zostaną usunięte wszystkie nieszczelności. Jeśli nie można usunąć nieszczelności, należy odłączyć butlę z gazem LP.
18. Nie należy przechowywać ani używać benzyny, innych łatwopalnych płynów lub oparów w odległości do 8 m od tego urządzenia.
19. Nie używać w atmosferze wybuchowej. Przestrzeń grillowa powinna być czysta i wolna od materiałów palnych.
20. Zawsze trzymaj wszystkie palne przedmioty i powierzchnie w odległości co najmniej 1m od grilla. Nie używaj tego grilla lub jakiegokolwiek produktu gazowego pod żadnym sufitem lub w pobliżu jakichkolwiek niezabezpieczonych konstrukcji palnych.

21. Ważne jest, aby utrzymywać w czystości komorę zaworu grilla, palniki i otwory wentylacyjne powietrza obiegowego. Przed każdym użyciem należy sprawdzić grill.
22. Nie wolno w żaden sposób modyfikować grilla.
23. Nie używać grilla, jeśli nie jest on całkowicie zmontowany, a wszystkie części są pewnie zamocowane i dokręcone.
24. Grill ten powinien być dokładnie czyszczony i regularnie kontrolowany. Zawsze należy oczyścić i skontrolować wąż przed użyciem urządzenia. Jeżeli występują oznaki otarć, zużycia, przecięć lub nieszczelności, wąż musi zostać wymieniony przed uruchomieniem urządzenia.
25. Używać tylko części dopuszczonych przez producenta. Użycie jakiegokolwiek części, która nie jest autoryzowana przez producenta może być niebezpieczne.
26. Nie używać urządzenia bez zapoznania się z rozdziałem "Instrukcja obsługi" niniejszej instrukcji.
27. Aby uniknąć oparzeń, nie dotykać żadnych metalowych części grilla, dopóki nie ostygnie on całkowicie (ok. 45 min.).
28. Podczas gotowania, sprzęt gaśniczy powinien być łatwo dostępny. W przypadku zapłonu tłuszczu nie należy próbować gasić go wodą. Używać suchej gaśnicy chemicznej typu ABC lub zdusić płomień ziemią, piaskiem lub sodą.
29. Nie instalować i nie używać w łodziach i pojazdach rekreacyjnych.
30. Nie używać grilla przy silnym wietrze.
31. Nigdy nie pochylać się nad grillem przy rozpalaniu.
32. Nie zostawiać zapalonego grilla bez nadzoru, **OSTRZEŻENIE!** zawsze trzymać dzieci i zwierzęta domowe z dala od grilla.
33. Nie próbować przesuwania grilla, gdy jest on używany. Przed rozebraniem lub przechowywaniem pozostawić grill do ostygnięcia.
34. Grill może być przechowywany w pomieszczeniach TYLKO wtedy, gdy zbiornik jest odłączony, usunięty z grilla i prawidłowo przechowywany na zewnątrz.
35. Pokrywą grilla należy zawsze otwierać ostrożnie i powoli, ponieważ uwięzione pod nią ciepło i para mogą spowodować poważne oparzenia.
36. Nie wolno próbować odłączać regulatora gazu od zbiornika ani żadnego przyłącza gazowego, gdy grill jest używany.
37. Grill należy zawsze umieszczać na twardej i równej powierzchni. Powierzchnie powinny być odpowiednie, aby wytrzymać wzrost temperatury o 50°C.
38. Należy zachować szczególną ostrożność na drewnianych powierzchniach..
39. Wężę gazowe odsunąć jak najdalej od gorących powierzchni i kapiącego gorącego tłuszczu.
40. Trzymać wszystkie przewody elektryczne z dala od gorącego grilla.
41. Nie używać grilla do gotowania lub ogrzewania w pomieszczeniach. Toksyczne opary mogą się gromadzić i powodować uduszenie.
42. Po okresie przechowywania i/lub nieużywania sprawdzić, czy nie ma wycieków, niedrożności palnika i sprawdzić, czy wąż nie jest przetarty, zużyty i przecięty.
43. Nieotwarcie pokrywy podczas zapalania palników grilla lub nie odczekanie 5 minut na usunięcie gazu, jeśli grill się nie zapali, może spowodować wybuchowy zapłon.
44. Jeśli grill nie jest używany, gaz musi być wyłączony przy zbiorniku zasilającym i regulatorze.
45. Nigdy nie używać grilla bez zainstalowanych płyt grzejnych.
46. Nie wolno przechowywać zapasowego zbiornika gazu LP pod ani w pobliżu tego urządzenia.
47. Wąż musi być wymieniony, gdy wymagają tego warunki naturalne. Należy stosować określony typ i długość.
48. Ustawić zbiornik obok grilla tak, aby wąż nie był skręcony i uniemożliwić mu późniejsze skręcenie się.
49. Podczas wymiany zbiornika z gazem propan LP należy upewnić się, że stoisz z dala od wszelkich źródeł zapłonu.
50. Wszelkie modyfikacje urządzenia mogą być niebezpieczne.
51. Nieprzestrzeżenie powyższych wskazówek i ostrzeżeń może spowodować śmierć, poważne obrażenia ciała lub szkody materialne.

SPECYFIKACJA PRODUKTU

KOD URZĄDZENIA: X88-000010 / MODEL : G2082	
CAŁKOWITY POBÓR CIEPŁA (WSZYSTKIE KATEGORIE GAZOWE)	5,5 kW (400 g/h)
KATEGORIA GAZU	I3B/P (30)
RODZAJE GAZU	MIESZANINA GAZÓW PROPANOWYCH LP
CIŚNIENIE GAZU	30 mBar
ROZMIAR WTRYSKIWAÇA	GŁÓWNY: 0,84 mm
KOD IDENTYFIKACYJNY	2575DM28150
OSTRZEŻENIE: DOSTĘPNE CZĘŚCI MOGĄ BYĆ BARDZO GORĄCE. TRZYMAĆ MAŁE DZIECI Z DALA. PRZECZYTAĆ INSTRUKCJĘ PRZED UŻYCIEM URZĄDZENIA.	
DO STOSOWANIA NA ZEWNĄTRZ I W DOBRZE WENTYLOWANYCH POMIESZCZENIACH.	
ZAPŁON GŁÓWNY PALNIK: POJEDYNCZA JEDNOSTKA ZAPŁONU PIEZOELEKTRYCZNEGO. WŁAŚCIWY GAZ, KTÓRY NALEŻY ZASTOSOWAĆ: PROPAN (PRZY CIŚNIENIU 30 mBar).	

KOD URZĄDZENIA: X88-000020 / MODEL : G9003B	
CAŁKOWITY POBÓR CIEPŁA (WSZYSTKIE KATEGORIE GAZOWE)	8,4 kW (611 g/h)
KATEGORIA GAZU	I3B/P (30)
RODZAJE GAZU	MIESZANINA GAZÓW PROPANOWYCH LP
CIŚNIENIE GAZU	30 mBar
ROZMIAR WTRYSKIWAÇA	GŁÓWNY: 0,82 mm
KOD IDENTYFIKACYJNY	2575DM28150
OSTRZEŻENIE: DOSTĘPNE CZĘŚCI MOGĄ BYĆ BARDZO GORĄCE. TRZYMAĆ MAŁE DZIECI Z DALA. PRZECZYTAĆ INSTRUKCJĘ PRZED UŻYCIEM URZĄDZENIA.	
DO STOSOWANIA NA ZEWNĄTRZ I W DOBRZE WENTYLOWANYCH POMIESZCZENIACH.	
ZAPŁON GŁÓWNY PALNIK: POJEDYNCZA JEDNOSTKA ZAPŁONU PIEZOELEKTRYCZNEGO. WŁAŚCIWY GAZ, KTÓRY NALEŻY ZASTOSOWAĆ: PROPAN (PRZY CIŚNIENIU 30 mBar).	

MONTAŻ

PODŁĄCZENIE ZBIORNIKA Z GAZEM DO URZĄDZENIA

Urządzenie to nadaje się wyłącznie do stosowania z niskociśnieniowym gazem propanowym (mieszanki LPG), wyposażonym w odpowiedni niskociśnieniowy reduktor połączony elastycznym węzłem. Wąż powinien być przymocowany do reduktora i urządzenia za pomocą opasek zaciskowych. Niniejszy grill jest przystosowany do pracy z 30-mbar reduktorem gazu LPG. W celu uzyskania informacji na temat odpowiedniego reduktora do zbiornika gazu płynnego należy skontaktować się z dystrybutorem LPG.

REGULATOR I WĄŻ

Przedmioty te nie są dostarczane wraz z grillem, można je nabyć u sprzedawcy sprzętu lub autoryzowanego dostawcy gazu LP. Należy stosować wyłącznie reduktory i węże zatwierdzone do stosowania z gazem LP o podanym powyżej ciśnieniu. Żywotność regulatora jest szacowana na 10 lat. Zaleca się wymianę regulatora w ciągu 10 lat od daty produkcji. Użycie niewłaściwego regulatora lub węża jest niebezpieczne; przed rozpoczęciem grillowania należy zawsze sprawdzić, czy posiadane są odpowiednie elementy. Zużyty lub uszkodzony wąż musi zostać wymieniony. Upewnić się, że wąż nie jest zatkany, zagięty ani nie styka się z żadną częścią grilla oprócz miejsca jego podłączenia. Używany wąż musi być zgodny z normą obowiązującą w kraju użytkowania.

PRZECHOWYWANIE URZĄDZENIA

Przechowywanie urządzenia w pomieszczeniach zamkniętych jest dozwolone tylko wtedy, gdy butla jest odłączona i wyjęta z urządzenia. Jeżeli urządzenie nie jest używane przez dłuższy okres czasu, powinno być przechowywane w oryginalnym opakowaniu i w suchym i wolnym od kurzu środowisku.

ZBIORNIK GAZU

Zbiornik gazu należy chronić przed upuszczeniem i obchodzić się z nim ostrożnie! Jeśli urządzenie nie jest używane, butla musi być odłączona. Po odłączeniu butli od urządzenia należy założyć zaślepkę ochronną na butlę. Butle muszą być przechowywane na zewnątrz w pozycji pionowej i poza zasięgiem dzieci. Butli nigdy nie wolno

przechowywać w miejscach, w których temperatura może osiągać ponad 50°C. Butli nie wolno przechowywać w pobliżu płomieni, pieców z otwartym płomieniem lub innych źródeł zapłonu. **NIE WOLNO PALIĆ.**

Ten grill jest przeznaczony do użytku na zewnątrz, z dala od wszelkich materiałów łatwopalnych. Ważne jest, aby nie było żadnych przeszkód ponad grillem oraz aby odległość od boku lub tylnej części urządzenia wynosiła co najmniej 1 metr. Ważne jest, aby otwory wentylacyjne urządzenia nie były zasłonięte. Grillowanie musi być prowadzone na równej, stabilnej powierzchni. Urządzenie powinno być zabezpieczone przed bezpośrednimi przeciągami i powinno być zabezpieczone lub ustawione w sposób chroniący przed bezpośrednim kontaktem z kapiącą na nie wodą.

Części zaplombowane przez producenta lub jego przedstawiciela nie mogą być zmieniane przez użytkownika. Nie wolno dokonywać żadnych zmian w żadnej części tego grilla, a naprawy i konserwacje powinny być przeprowadzane wyłącznie przez uprawnionego inżyniera serwisowego.

PODŁĄCZENIE DO URZĄDZENIA

Przed podłączeniem urządzenia należy upewnić się, że w głowicy butli gazowej, reduktorze, palniku i przyłączach palnika nie ma żadnych zanieczyszczeń. Pająki i owady mogą zagnieździć się wewnątrz i zatkać rurę palnika/otworu wentylacyjnego. Zatkany palnik może doprowadzić do powstania ognia w dolnej części urządzenia. Zamontować wąż na urządzeniu za pomocą klucza płaskiego, aby dokręcić go na gwincie przyłączeniowym. W przypadku wymiany węża należy go przymocować do urządzenia i przyłączyć regulatora za pomocą opasek zaciskowych. Odłączyć regulator od butli (zgodnie z instrukcją dołączoną do regulatora), gdy grill nie jest używany. Grill musi być używany w dobrze wentylowanym miejscu. Nie należy blokować dopływu powietrza do palnika podczas grillowania. **TEGO GRILLA NALEŻY UŻYWAĆ WYŁĄCZNIE NA ZEWNĄTRZ.**

SPRAWDZENIE SZCZELNOŚCI PRZED UŻYCIEM

Nigdy nie należy sprawdzać, czy nie ma wycieków za pomocą otwartego ognia: zawsze należy używać roztworu wody z mydłem.

ABY SPRAWDZIĆ, CZY NIE MA WYCIEKÓW

Wykonać 2-3 uncje (około 70ml) płynnego roztworu do wykrywania nieszczelności, mieszając jedną część płynu do mycia naczyń z 3 częściami wody. Upewnić się, że zawór regulacyjny jest wyłączony. Podłączyć reduktor do butli, a zawór włączający/wyłączający do palnika, upewnić się, że połączenia są pewne, a następnie włączyć gaz. Nałożyć roztwór mydła na wąż i wszystkie połączenia. W przypadku pojawienia się pęcherzyków występuje nieszczelność, którą należy usunąć przed użyciem.

Powtórzyć po usunięciu usterki. Wyłączyć gaz w butli po próbie. Jeśli wykryto nieszczelność i nie można jej wyeliminować: nie należy próbować naprawiać nieszczelności samemu i skontaktować się z dostawcą gazu!

INSTRUKCJA OBSŁUGI

Montować grill ostrożnie zgodnie z instrukcją. Podłączyć wąż gazowy do grilla. Podłączyć reduktor do węża. Podłączyć regulator do zaworu butli zgodnie z instrukcją dołączoną do regulatora. Przed otwarciem zaworu butli z gazem należy przekręcić wszystkie pokręta sterujące w pozycji "OFF". Regulator obsługiwać zgodnie z instrukcją dostarczoną wraz z regulatorem.

ZAPALANIE GRILLA (GŁÓWNY PALNIK)

INSTRUKCJE ZAPALANIA

MODEL G2082 / X88-000010

1. Otwórz pokrywę grilla.
2. Obróć wszystkie pokręta zgodnie z ruchem wskazówek zegara do pozycji "OFF".
3. Podłącz reduktor gazu do butli z gazem i urządzenia. Włącz zasilanie gazem "ON" przy butli z gazem. Sprawdź przy użyciu wody z mydłem, czy nie ma wycieku gazu między butlą a reduktorem gazu.
4. Naciśnij lewe pokrętko i przekręć je w lewo do pozycji "Pełna szybkość", naciskając przycisk zapłonu piezoelektrycznego 4 lub 5 razy. Spowoduje to zapalenie palnika. Obserwuj, czy palnik się zapalił. Jeśli nie powtórz ten proces raz jeszcze.
5. Jeśli palnik nie zapalił się po ponownym spróbowaniu, odczekaj 5 minut i powtórz krok 3.
6. Ustaw temperaturę, przekręcając pokrętko do pozycji Wysoka/Niska.
7. Jeśli palnik nie zapalał się. Zapal urządzenie zapałką, używając otworu do zapalania z boku urządzenia.
8. Aby zapalić prawy palnik, przekręć pokrętko regulacji w prawo do pozycji pełnego natężenia, zapali się lewy palnik. Zawsze zapalaj urządzenie od palnika lewego do prawego boku.
9. Aby wyłączyć grilla: Zamknij zawór butli z gazem, a następnie obróć pokręta sterujące urządzenia w kierunku zgodnym z ruchem wskazówek zegara do pozycji "OFF".

MODEL G9003B / X88-000020

1. Otwórz pokrywę grilla.
2. Obróć wszystkie pokręta zgodnie z ruchem wskazówek zegara do pozycji "OFF".
3. Podłącz reduktor gazu do butli z gazem i urządzenia. Włącz zasilanie gazem "ON" przy butli z gazem. Sprawdź przy użyciu wody z mydłem, czy nie ma wycieku gazu między butlą a reduktorem gazu.
4. Wcisnąć drugi przycisk sterujący, rozpoznać go można po symbolu pioruna (⚡), i jednocześnie

przekręcić go na "HI". W ten sposób zapłon powinien zaiskrzyć i zapalić główny palnik.

5. Pozostałe palniki można zapalić, gdy lampka sygnalizacyjna palnika głównego (⚡) pokazuje, że jest zapalona.
6. Jeżeli proces zapalania nie działa, należy przekręcić przycisk na "OFF", odczekać kilka chwil i powtórzyć krok 4.
7. Wyregulować płomień do żądanej mocy za pomocą przycisku sterującego.
8. Aby wyłączyć grilla, należy wyłączyć bezpośrednio gaz lub reduktor i ustawić wszystkie elementy sterujące z powrotem w pozycji "OFF".

OSTRZEŻENIE: Jeśli palnik nie zapalił się, należy wyłączyć pokrętko sterujące (zgodnie z ruchem wskazówek zegara), a także wyłączyć zawór butli gazowej. Odczekać pięć minut przed próbą ponownego zapalania przy użyciu sekwencji zapłonu.

CZYSZCZENIE I PIELĘGNACJA

UWAGA: Wszelkie czynności związane z czyszczeniem i konserwacją należy przeprowadzać przy chłodnym grillu i wyłączonym dopływie paliwa z butli gazowej.

CZYSZCZENIE

"Przepalanie" grilla po każdym użyciu (przez ok. 15 minut) ograniczy do minimum pozostawione resztki jedzenia.

ZEWNĘTRZNA POWIERZCHNIA

Stosować łagodny detergent lub sodę oczyszczoną i roztwór gorącej wody. Na uporczywe plamy można stosować nieścierny proszek do szorowania, a następnie spłukać wodą. Jeśli wewnętrzna powierzchnia pokrywy grilla ma wygląd łuszczącej się farby, nagromadzone i zapieczony tłuszcz zamienił się w węgiel i łuszczy się. Czyścić dokładnie mocnym roztworem gorącej wody z mydłem. Spłukać wodą i pozostawić do całkowitego wyschnięcia. **NIGDY NIE UŻYWAĆ ŚRODKA DO CZYSZCZENIA PIEKARNIKA.**

WNĘTRZE BAZY GRILLA

Resztki usuń za pomocą szczotki, skrobaka i/lub gąbki czyszczącej, a następnie umyj je roztworem wody z mydłem. Spłukać wodą i pozostawić do wyschnięcia.

RUSZT DO PIECZENIA

Użyj łagodnego roztworu wody z mydłem. Na uporczywe plamy można stosować nieścierny proszek do szorowania, a następnie spłukać wodą.

CZYSZCZENIE ZESPOŁU PALNIKA

Wyłączyć gaz przekręcając zawór dopływu gazu i odłączyć butlę. Wyjąć schłodzony ruszt. Palnik czyścić miękką szczotką lub przedmuchać sprężonym powietrzem i przetrzeć szmatką.

Zatkane otwory należy czyścić za pomocą środka do czyszczenia rur lub sztywnego drutu (np. otwarty spinacz do papieru). Sprawdzić palnik pod kątem ewentualnych uszkodzeń (pęknięć lub otworów). W przypadku stwierdzenia uszkodzeń, wymienić na nowy palnik. Ponownie zamontować palnik, sprawdzić, czy otwory w zaworze gazowym są prawidłowo umieszczone i zabezpieczone wewnątrz wlotu palnika (venturi).

SERWISOWANIE

Grill gazowy powinien być co roku serwisowany przez kompetentnego i zarejestrowanego specjalistę.

ŚRODOWISKO

Jeśli żywotność produktu zostanie wyczerpana, zdiagnozować do odpowiedniego punktu zbierania odpadów elektrycznych i elektronicznych. Zapoznaj się z symbolami na produkcie, w instrukcji użytkowania lub na opakowaniu. Zapytaj w lokalnym urzędzie miejskim o adres najbliższego punktu zbierania odpadów.

RU БАРБЕКЮ

ВАЖНО:

- Внимательно прочтите следующие инструкции и убедитесь, что ваш прибор для барбекю правильно установлен, собран и содержится в полной исправности. Несоблюдение этих инструкций может привести к серьезным телесным повреждениям и/или материальному ущербу. **СОХРАНИТЬ ИНСТРУКЦИИ ДЛЯ ДАЛЬНЕЙШЕГО ИСПОЛЬЗОВАНИЯ.**
- Если у вас есть какие-либо вопросы относительно сборки или эксплуатации данного изделия, обратитесь к своему дилеру или поставщику сжиженного природного газа.
- При использовании на земле убедитесь, что прибор и Газовый баллон стоят на ровной поверхности.
- Никогда не разжигайте, когда прибор закрыт ЧЕХЛОМ.
- Никогда не зажигайте и не используйте боковую горелку с закрытой крышкой.
- Ваш барбекю можно использовать на газовом баллоне весом от 6 до 11 кг.
- При разжигании барбекю необходимо строго соблюдать следующие требования для размещения:
 - Боковые стороны и задняя часть прибора: 1 метр от любого объекта.
 - Пространство над прибором: НЕ РАЗРЕШАЕТСЯ РАЗМЕЩЕНИЕ ЛЮБЫХ ОБЪЕКТОВ.
- ИСПОЛЬЗУЙТЕ ТОЛЬКО НА ОТКРЫТОМ

ВОЗДУХЕ.

- **ВНИМАНИЕ: ДОСТУПНЫЕ ЧАСТИ МОГУТ БЫТЬ ОЧЕНЬ ГОРЯЧИМИ. ПОЖАЛУЙСТА, ДЕРЖИТЕ МАЛЕНЬКИХ ДЕТЕЙ ПОДАЛЬШЕ ОТ ПРИБОРА.**
- НЕ ПЕРЕМЕЩАЙТЕ ПРИБОР ВО ВРЕМЯ ПРИГОТОВЛЕНИЯ ПИЩИ.

ЕСЛИ ВЫ ПОЧУВСТВУЕТЕ ЗАПАХ ГАЗА

- Перекройте поступление газа в гриль
- Потушите открытое пламя
- Откройте крышку
- Если запах сохраняется, держитесь подальше от прибора и немедленно позвоните своему поставщику газа или в пожарную службу.
- Не храните баллон с пропановым сжиженным газом в пределах 4 м от данного прибора.
- Не храните и не используйте бензин или другие жидкости с легковоспламеняющимися парами в пределах 8 м от этого/любого другого аналогичного прибора.
- Газовые баллоны (не в рабочем состоянии) никогда не должны храниться вблизи этого/любого другого аналогичного прибора.

ПРЕДУПРЕЖДЕНИЯ

1. Этот гриль предназначен только для использования на воздухе и не должен использоваться в здании, гараже или любом другом закрытом помещении.
2. Этот гриль не предназначен для коммерческого использования.
3. Этот гриль должен использоваться только с пропановой ГАЗОВОЙ СМЕСЬЮ LP. Использование природного газа или любые изменения в изделии с этой целью опасно.
4. Сжиженный газ характеристики:
 - а. Сжиженный газ является горючим и опасным при неправильном обращении. Внимательно прочитайте технические характеристики перед использованием любого изделия, работающего на LP.
 - б. Газ LP взрывоопасен под давлением, тяжелее воздуха и оседает в бассейнах в низких местах.
 - в. Газ LP в своем естественном состоянии не имеет запаха. Для безопасности добавляют одорант, который пахнет гнилой капустой.
 - г. Контакт с газом LP может вызвать ожоги от обморожения кожи.
5. Газовый баллон должен быть снабжен клапаном.

6. Газовый баллон должен быть снабжен манжетой для защиты клапана.
7. Никогда не используйте пропановый баллон LP с поврежденным корпусом, клапаном, манжетой или основанием.
8. Помятые или проржавевшие газовые баллоны LP могут быть опасны и должны быть проверены вашим поставщиком газа LP перед использованием.
9. Газовый баллон LP не следует ронять или не осторожно обращаться с ним.
10. Газовый баллон LP должен храниться на открытом воздухе, в недоступном для детей месте и не должен храниться в здании, гараже или любом другом закрытом помещении. Газовый баллон LP никогда не должен храниться там, где температура может достигать более 50°C.
11. Никогда не храните заполненный газовый баллон LP в нагретом автомобиле или багажнике. Тепло приведет к увеличению давления газа, что выдавит предохранительный клапан и позволит газу выйти.
12. Никогда не пытайтесь присоединить этот гриль к автономной газовой системе LP трейлера кемпера, дома на колесах или дома.
13. Употребление алкоголя, отпускаемых по рецепту или без рецепта лекарств может ухудшить способность пользователя правильно собирать или безопасно эксплуатировать данный прибор.
14. Никогда не используйте уголь, жидкость для зажигалок, лавовые камни, бензин, парафин или спирт с этим изделием.
15. Проверьте, нет ли утечек, даже если корпус был собран кем-то другим.
16. Не эксплуатируйте изделие, если из него вытекает газ. Утечка газа может привести к пожару или взрыву.
17. Перед началом работы необходимо выполнить все процедуры проверки герметичности. Для предотвращения пожара или взрывоопасной ситуации проведите испытание на предмет утечки:
 - а. Всегда выполняйте проверку на герметичность перед зажиганием гриля и каждый раз, когда резервуар подключается для использования.
 - б. Не курить. При проведении испытания на герметичность следует держаться подальше от любых источников воспламенения.
 - в. Проведите испытание на

- герметичность на открытом воздухе в хорошо проветриваемом помещении.
- г. Не используйте спички, зажигалки или пламя для проверки на герметичность.
- д. Не используйте гриль до тех пор, пока все утечки не будут устранены. Если вы не можете устранить утечку, отключите подачу сжиженного газа.
18. Не храните и не используйте бензин, другие легко воспламеняющиеся жидкости или пары в пределах 8 м от данного прибора.
 19. Не используйте во взрывоопасной атмосфере. Держите зону гриля чистой и свободной от горючих материалов.
 20. Всегда держите все горючие предметы и поверхности на расстоянии не менее 1 м от гриля. Не используйте этот гриль или любой другой газовый продукт под каким либо навесом или вблизи любых незащищенных способных к воспламенению конструкций.
 21. Очень важно содержать в чистоте отсек клапанов решетки, горелки и вентиляционные отверстия циркулирующего воздуха. Перед каждым использованием проверяйте гриль.
 22. Ни в коем случае не производите какие-либо изменения в гриле.
 23. Не используйте решетку, если она полностью не собрана, а все детали надежно закреплены и затянуты.
 24. Этот гриль должен быть тщательно очищен и проверен на регулярной основе. Всегда очищайте и проверяйте шланг перед использованием прибора. При наличии признаков истирания, износа, порезов или протечек шланг должен быть заменен до начала эксплуатации прибора.
 25. Используйте только заводские запчасти. Использование любой детали, которая не разрешена заводом, может быть опасным.
 26. Не используйте данное устройство, не прочитав раздел "Инструкции по эксплуатации" данного руководства.
 27. Во избежание ожогов не прикасайтесь к металлическим частям гриля, пока он полностью не остынет (около 45 мин.).
 28. При приготовлении пищи средства пожаротушения должны быть в доступной близости. В случае загорания смазки не пытайтесь потушить пожар водой. Используйте сухой химический огнетушитель типа ABC или погасите пламя грязью, песком или пищевой содой.
 29. Не устанавливайте и не используйте в лодках или рекреационных транспортных средствах.
 30. Не используйте гриль при сильном ветре.
 31. Никогда не наклоняйтесь над грилем при зажигании.
 32. Не оставляйте зажженный гриль без присмотра. **ВНИМАНИЕ!** Всегда держите детей и домашних животных подальше от гриля.
 33. Не пытайтесь перемещать гриль во время его использования. Дайте грилю остыть, прежде чем передвигать или убирать его на хранение.
 34. Гриль можно хранить в помещении только в том случае, если бак отсоединен, снят с гриля и надлежащим образом хранится на открытом воздухе.
 35. Всегда открывайте крышку гриля осторожно и медленно, так как тепло и пар, скопившиеся под ней, могут явиться причиной ожога.
 36. Не пытайтесь отсоединить газовый регулятор или любой другой газовый регулятор от баллона во время работы гриля.
 37. Всегда ставьте гриль на твердую и ровную поверхность. Поверхности должны быть выдерживать температуру до 50°C.
 38. Будьте предельно осторожны на деревянных палубах.
 39. Отодвиньте газовые шланги как можно дальше от горячих поверхностей и капающего горячего жира.
 40. Держите все электрические шнуры подальше от горячего гриля.
 41. Не используйте гриль для приготовления пищи в помещении или для отопления помещений. Токсичные пары могут накапливаться и вызвать удушье.
 42. После периода хранения и / или длительного периода неиспользования проверьте на наличие утечек, не попали ли помехи в горелку и проверьте, нет ли истирания, износа и порезов на шланге.
 43. В ситуации, когда при зажигании горелок гриля крышка открыта, и вы подождали 5 минут для установления ровного потока газа, а гриль все равно не разгорается, возникает опасность

- взрыва и возгорания.
44. Если гриль не используется, газ в подающем баллоне и регуляторе должен быть выключен.
 45. Никогда не используйте гриль без установленных нагревательных пластин.
 46. Не храните запасной газовый баллон LP под прибором или рядом с ним.
 47. Трубки должны быть заменены, когда это требуется. Используйте указанные тип и длину.
 48. Расположите баллон рядом с решеткой так, чтобы шланг не скручивался и не перекручивался.
 49. При замене газового баллона LP с пропаном убедитесь, что вы стоите вдали от любого источника воспламенения.
 50. Любое изменение в устройстве прибора может представлять опасность.
 51. Смерть, серьезные травмы или повреждение имущества могут произойти, если вы не будете строго соблюдать вышеуказанные инструкции и предупреждения.

ХАРАКТЕРИСТИКИ ИЗДЕЛИЯ

КОД ПРИБОРА: X88-000010 / МОДЕЛЬ: G2082	
ОБЩАЯ ТЕПЛОВАЯ МОЩНОСТЬ (ДЛЯ ВСЕХ ВИДОВ ГАЗА)	5,5 кВт (400 g/h)
КАТЕГОРИЯ ГАЗА	I3B/P (30)
ВИДЫ ГАЗА	ПРОПАН LP СМЕСЬ ГАЗОВ
ДАВЛЕНИЕ ГАЗА	30 mBar
РАЗМЕР ФОРСУНКИ	ОСНОВНОЙ: 0,84 mm
ИДЕНТИФИКАЦИОННЫЙ КОД	2575DM28150
ПРЕДОСТЕРЕЖЕНИЕ: ДОСТУПНЫЕ ЧАСТИ МОГУТ БЫТЬ ОЧЕНЬ ГОРЯЧИМИ. ДЕРЖИТЕ МАЛЕНЬКИХ ДЕТЕЙ ПОДАЛЬШЕ. ПРОЧИТАЙТЕ ИНСТРУКЦИИ ПЕРЕД ИСПОЛЬЗОВАНИЕМ ПРИБОРА.	
ДЛЯ ИСПОЛЬЗОВАНИЯ НА ОТКРЫТОМ ВОЗДУХЕ И В ХОРОШО ПРОВЕТРИВАЕМЫХ ПОМЕЩЕНИЯХ.	
ЗАЖИГАНИЕ ОСНОВНАЯ ГОРЕЛКА: АГРЕГАТ ДЛЯ РАЗЖИГАНИЯ СИСТЕМЫ ПЬЕЗО. ИСПОЛЬЗУЕМЫЙ ГАЗ: ПРОПАН (ПРИ 30 mBar).	

КОД ПРИБОРА: X88-000020 / МОДЕЛЬ: G9003B	
ОБЩАЯ ТЕПЛОВАЯ МОЩНОСТЬ (ДЛЯ ВСЕХ ВИДОВ ГАЗА)	8,4 кВт (611 g/h)
КАТЕГОРИЯ ГАЗА	I3B/P (30)
ВИДЫ ГАЗА	ПРОПАН LP СМЕСЬ ГАЗОВ
ДАВЛЕНИЕ ГАЗА	30 mBar
РАЗМЕР ФОРСУНКИ	ОСНОВНОЙ: 0,82 mm
ИДЕНТИФИКАЦИОННЫЙ КОД	2575DM28150
ПРЕДОСТЕРЕЖЕНИЕ: ДОСТУПНЫЕ ЧАСТИ МОГУТ БЫТЬ ОЧЕНЬ ГОРЯЧИМИ. ДЕРЖИТЕ МАЛЕНЬКИХ ДЕТЕЙ ПОДАЛЬШЕ. ПРОЧИТАЙТЕ ИНСТРУКЦИИ ПЕРЕД ИСПОЛЬЗОВАНИЕМ ПРИБОРА.	
ДЛЯ ИСПОЛЬЗОВАНИЯ НА ОТКРЫТОМ ВОЗДУХЕ И В ХОРОШО ПРОВЕТРИВАЕМЫХ ПОМЕЩЕНИЯХ.	
ЗАЖИГАНИЕ ОСНОВНАЯ ГОРЕЛКА: АГРЕГАТ ДЛЯ РАЗЖИГАНИЯ СИСТЕМЫ ПЬЕЗО. ИСПОЛЬЗУЕМЫЙ ГАЗ: ПРОПАН (ПРИ 30 mBar).	

СБОРКА

ПОДКЛЮЧЕНИЕ ГАЗОВОГО БАЛЛОНА К ПРИБОРУ
 Этот прибор подходит только для использования с пропановым газом низкого давления (смеси сжиженного газа), установленным с соответствующим регулятором низкого давления через гибкий шланг. Шланг должен быть прикреплен к регулятору и прибору при помощи зажимов для шлангов. Это барбекю

настроено на работу с регулятором 30 мбар, работающим на LPG смесях. Пожалуйста, проконсультируйтесь с вашим дилером, поставляющим сжиженный газ, для получения информации о подходящем регуляторе для газового баллона.

РЕГУЛЯТОР И ШЛАНГ

Эти предметы не поставляются в комплекте с барбекю, их можно купить у вашего розничного продавца оборудования или авторизованного поставщика сжиженного природного газа. Используйте только регуляторы и шланги, одобренные для работы со сжиженным газом при давлении, указанном выше. Ожидаемая продолжительность жизни регулятора оценивается в 10 лет. Рекомендуется менять регулятор в течение 10-летнего периода со дня изготовления. Использование регулятора или шланга, не рекомендованных данной инструкцией, небезопасно; всегда проверяйте, что вы работаете с правильно подобранными аксессуарами перед эксплуатацией барбекю. Изношенный или поврежденный шланг необходимо заменить. Убедитесь, что шланг ничем не загорожен, не перегибается и не соприкасается с какой-либо частью барбекю, кроме места его соединения. Используемый шланг должен соответствовать соответствующему стандарту для страны использования.

ХРАНЕНИЕ ПРИБОРА

Хранение прибора в помещении разрешается только в том случае, если баллон отсоединен и убран от прибора. Если прибор не используется в течение длительного периода времени, его следует хранить в оригинальной упаковке и в сухом месте, защищенном от пыли.

ГАЗОВЫЙ БАЛЛОН

Газовый баллон нельзя ронять или небрежно обращаться с ним! Если прибор не используется, то баллон должен быть отсоединен. Поместите защитный колпачок на цилиндр после отсоединения цилиндра от прибора. Баллоны должны храниться на открытом воздухе в вертикальном положении и в недоступном для детей месте. Баллон никогда не следует хранить там, где температура может достигать более 50°C. Не храните баллон вблизи пламени, контрольных огней или других источников воспламенения. НЕ КУРИТЬ.

Это барбекю предназначено для использования на открытом воздухе, вдали от любых легковоспламеняющихся материалов. Важно, чтобы не было ничего помещено поверх прибора, и чтобы было соблюдено минимальное расстояние в 1 метр от боковой и задней части прибора. Важно, чтобы вентиляционные

отверстия прибора не были чем-то закрыты. Барбекю должно использоваться на ровной, устойчивой поверхности. Прибор должен быть защищен от сквозняков и расположен таким образом, чтобы исключить прямой контакт с любой каплюющей водой.

Детали, запечатанные изготовителем или его агентом, не должны быть подвержены какой-либо модификации пользователем. Никакое изменение по отношению к любой части этого барбекю не допустимо, ремонт и техническое обслуживание должны осуществляться авторизованным сервисным инженером.

ПОДКЛЮЧЕНИЕ К ПРИБОРУ

Перед подключением прибора убедитесь что в головку газового баллона, регуляторе, горелке и портах горелки отсутствует какой-либо мусор. Пауки и насекомые могут гнездиться внутри и засорять проходы горелки/трубки. Засоренная горелка может привести к возгоранию в нижней части прибора. Подсоедините шланг к прибору с помощью гаечного ключа, и затяните его на соединительной резьбе. Если шланг заменен, он должен быть прикреплен к прибору и соединителям регулятора при помощи хомутов для шлангов. Отсоедините регулятор от цилиндра (в соответствии с указаниями, прилагаемыми к регулятору), когда барбекю не используется. Барбекю должно использоваться на хорошо проветриваемой площадке. Не препятствуйте прохождению потока воздуха к горелке, когда барбекю используется. **ИСПОЛЬЗУЙТЕ ЭТО БАРБЕКЮ ТОЛЬКО НА ОТКРЫТОМ ВОЗДУХЕ.**

ПЕРЕД ИСПОЛЬЗОВАНИЕМ ПРОВЕРЬТЕ НА НАЛИЧИЕ УТЕЧЕК

Никогда не проверяйте герметичность с помощью открытого огня: всегда используйте раствор мыльной воды.

ЧТОБЫ ПРОВЕРИТЬ НА ГЕРМЕТИЧНОСТЬ

Сделайте 2-3 жидких унции раствора для обнаружения утечек, смешав одну часть моющей жидкости с 3 частями воды. Убедитесь, что регулирующий клапан установлен в положение "ВЫКЛ.". Подсоедините регулятор к цилиндру, а клапан ВКЛ/ВЫКЛ - к горелке, проследив, что соединения закреплены, а затем Включите газ. Нанесите мыльный раствор на шланг и все стыки. Если появляются пузырьки, то имеется утечка, которую необходимо устранить перед использованием. Проведите повторное тестирование после устранения неисправности. Выключите газ в баллоне после тестирования. Если утечка обнаружена и не может быть устранена, не пытайтесь устранить утечку сами и обратитесь к своему газовому дилеру!

ИНСТРУКЦИЯ ПО ПРИМЕНЕНИЮ

Аккуратно соберите барбекю, следуя инструкциям. Подсоедините газовый шланг к барбекю. Подключите регулятор к шлангу. Подсоедините регулятор к клапану баллона в соответствии с инструкциями регулятора, прилагаемыми к регулятору. Перед включением подачи газа в прибор поверните все ручки управления в положение "ВЫКЛ.". Приводите регулятор в действие в соответствии с инструкциями, прилагаемыми к регулятору.

КАК РАЗЖЕЧЬ ГРИЛЬ (ГЛАВНАЯ ГОРЕЛКА)

ИНСТРУКЦИИ ПО РАЗЖИГАНИЮ

МОДЕЛЬ G2082 / X88-000010

1. Откройте крышку.
2. Поверните все контрольные ручки по часовой стрелке в позицию «ВЫКЛ».
3. Подсоедините регулятор газа к газовому баллону и прибору. Включите подачу газа «ВКЛ» на газовом баллоне. При помощи мыльной воды проверьте, нет ли утечки газа между баллоном и регулятором газа.
4. Надавите левую контрольную ручку и поверните ее против часовой стрелки до позиции «Полная мощность», в это же время нажимая кнопку пьезо-запала 4 или 5 раз. Это активирует работу горелки. Проконтролируйте, начала ли горелка работать. Если нет, то повторите это действие.
5. Если горелка все-таки не разгорелась после повторной попытки, подождите 5 минут и повторите шаг 3.
6. Настройте мощность нагрева, поворачивая кнопку в позицию Сильный/Слабый.
7. Если горелка не зажигается, разожгите прибор при помощи спички, используя отверстие для разжигания в боковой части прибора.
8. Чтобы разжечь горелку с правой стороны, поверните правую контрольную ручку в позицию полной мощности. Это разожжет горелку с левой стороны. Всегда разжигайте прибор от левосторонней горелки к правосторонней.
9. Чтобы выключить гриль: закройте клапан на газовом баллоне, затем поверните контрольные ручки на приборе по часовой стрелке в позицию «ВЫКЛ».

МОДЕЛЬ G9003B / X88-000020

1. Откройте крышку.
2. Поверните все контрольные ручки по часовой стрелке в позицию «ВЫКЛ».
3. Подсоедините регулятор газа к газовому баллону и прибору. Включите подачу газа «ВКЛ» на газовом баллоне. При помощи мыльной воды проверьте, нет ли утечки газа между баллоном и регулятором газа.
4. Нажмите вторую кнопку управления, обозначенную знаком молнии (⚡), и одновременно поверните ее в положение

«Н!». При этом зажигание должно искрить и зажечь основную горелку.

5. Вы можете зажечь другие конфорки, когда загорится сигнальный (⚡) световой индикатор основной конфорки, указывая на то, что она включена.
6. Если процесс зажигания не работает, поверните ручку в положение «ВЫКЛ.», Подождите немного и повторите шаг 4.
7. Отрегулируйте пламя до желаемой амплитуды горения с помощью ручки управления.
8. Чтобы остановить работу гриля, выключите мгновенно газ или регулятор и снова поверните все регуляторы в положение «ВЫКЛ.».

ПРЕДОСТЕРЕЖЕНИЕ: Если не удастся разжечь горелку, выключите контрольную ручку (по часовой стрелке), а также выключите газовый баллон. Подождите 5 минут перед тем, как снова попытаться разжечь при помощи последовательного запала.

ЧИСТКА И УХОД

Внимание: вся очистка и техническое обслуживание должны выполняться, когда барбекю остыло и подача топлива в газовый баллон отключена.

ОЧИЩЕНИЕ

“Прожигайте” барбекю после каждого использования (ок. 15 минут), что поможет максимально сжечь оставшиеся частицы еды.

НАРУЖНАЯ ПОВЕРХНОСТЬ

Используйте мягкое моющее средство или пищевую соду и раствор горячей воды. Неабразивный чистящий порошок можно использовать на стойких пятнах, а затем смыть водой. Если внутренняя поверхность крышки мангала имеет следы облупившейся краски, то запеченный на ней нарост жира превращается в нагар и отслаивается. Тщательно очистите эти места сильным раствором горячей мыльной воды. Смойте чистой водой и дайте полностью высохнуть. НИКОГДА НЕ ИСПОЛЬЗУЙТЕ ЧИСТЯЩЕЕ СРЕДСТВО ДЛЯ ДУХОВКИ.

ВНУТРЕННЯЯ ПОВЕРХНОСТЬ ОСНОВАНИЯ БАРБЕКЮ

Удалите остатки с помощью щетки, скребка и / или чистящей губки, а затем промойте раствором мыльной воды. Смойте чистой водой и дайте высохнуть.

РЕШЕТКА ДЛЯ ПРИГОТОВЛЕНИЯ ПИЩИ

Используйте слабый раствор мыльной воды. Можно с силой потереть особо загрязненные места, не используя при этом скребущие предметы, затем промыть водой.

ОЧИСТКА СОБРАННОЙ ГОРЕЛКИ

Выключите газ на ручке управления и отсоедините баллон. Снимите охлажденную решетку. Очистите горелку мягкой щеткой или продуйте ее сжатым воздухом и протрите тряпкой. Очистите все засоренные порты при помощи очистителя для трубок или жесткой проволокой (например, открытой скрепкой для бумаги). Проверьте горелку на наличие повреждений (трещин или отверстий). Если обнаружится повреждение, замените на новую. Установите горелку на место, убедитесь, что отверстия газовых клапанов правильно расположены и закреплены внутри входа горелки (вентури).

ОБСЛУЖИВАНИЕ

Ваше газовое барбекю должно ежегодно проходить осмотр компетентным зарегистрированным специалистом.

УЧАСТВУЙТЕ В ОХРАНЕ ОКРУЖАЮЩЕЙ СРЕДЫ!

После окончания срока службы изделия его нельзя выбрасывать вместе с обычным бытовым мусором. Вместо этого оно подлежит сдаче на утилизацию в соответствующий пункт приема электрического и электронного оборудования для последующей переработки и утилизации. Обратите внимание на символы утилизации на самом изделии, на указания в инструкции или на упаковке прибора. Более подробную информацию о пунктах приема и утилизации данного продукта можно получить в местных муниципальных органах.

TR MANGAL

ÖNEMLİ:

- Aşağıdaki talimatları dikkatlice okuyun ve barbekünüzün doğru şekilde kurulduğundan, monte edildiğinden ve bakımının yapıldığından emin olun. Bu talimatlara uyulmaması, ciddi bedensel yaralanmalara ve/veya mal hasarına neden olabilir. İLERİDE BAŞVURMAK İÇİN SAKLAYIN.
- Bu ürünün montajı veya çalıştırılmasıyla ilgili herhangi bir sorunuz varsa, satıcınıza veya LP Gaz tedarikçinize danışın.
- Yerde kullanıldığında cihazın ve GAZ tüpünün düz bir yüzey üzerinde durduğundan emin olun.
- DAVLUMBAZ kapalı konumdayken cihazı asla çalıştırmayın.
- Kapak kapalıyken yan brülörü asla çalıştırmayın veya kullanmayın.
- Mangalınız 6 ila 11 kg'lık bir gaz tüpünde kullanılabilir.
- Mangalı yakarken, aşağıdaki noktalara kesinlikle uyulmalıdır:

- Cihazın yanları ve arkası: Herhangi bir engelden 1 metre uzakta olmalıdır.
- Cihazın üstünde: ÜST KISIM HERHANGİ BİR ŞEKİLDE BLOKE EDİLMEMELİDİR.
- YALNIZCA DIŞ MEKANLARDA KULLANIN.
- **UYARI:** ERİŞİLEBİLİR PARÇALAR ÇOK SICAK OLABİLİR. LÜTFEN KÜÇÜK ÇOCUKLARDAN UZAK TUTUN.
- PİŞİRME SIRASINDA CİHAZI HAREKET ETTİRMEYİN.

GAZ KOKUSU ALIYORSANIZ

- Izgaraya giden gaz girişini kapatın
- Herhangi bir açık alevi söndürün
- Kapağı açık
- Koku devam ederse, cihazdan uzak durun ve derhal gaz tedarikçinizi veya itfaiyeyi arayın.
- Propan LPG tüpünü bu cihazın 4 metreye kadar yakınında saklamayın.
- Benzin veya yanıcı buhar içeren diğer sıvıları bu/diğer benzer cihazların 8 m'ye kadar yakınında saklamayın veya kullanmayın.
- Gaz tüpleri (kullanım için bağlanmamış) asla bu/diğer benzer cihazların yakınında saklanmamalıdır.

UYARILAR

1. Bu ızgara yalnızca dış mekanda kullanım içindir ve bina, garaj veya başka bir kapalı alanda kullanılmamalıdır.
2. Bu ızgara ticari kullanım için DEĞİLDİR.
3. Bu ızgara yalnızca propan LP GAZ KARIŞIMI ile kullanılmalıdır. Doğal gaz kullanmak veya ürünü bunu yapabilmesi için modifiye etmek tehlikelidir.
4. LP gazı özellikleri:
 - a. Yanlış kullanıldığında LP gazı yanıcı ve tehlikelidir. Herhangi bir LP gazı ürününü kullanmadan önce teknik özelliklerini dikkatlice okuyunuz.
 - b. LP gazı basınç altında patlayıcıdır, havadan ağırdır ve alçak bölgelerdeki alanlara yerleşir.
 - c. Doğal haldeki LP gazının kokusu yoktur. Güvenlik için çürük lahana gibi kokan bir koku eklenir.
 - d. LP Gaz ile temas, deride donma yanıklarına neden olabilir.
5. Gaz tüpüne bir tüp valfi takılmalıdır.
6. Tüp valfini korumak için gaz tüpüne bir tüp yakalığı takılmalıdır.
7. Asla gövdesi, valfi, yakası veya tabanı hasarlı bir propan LP gaz tüpünü kullanmayın.
8. Ezilmiş veya paslı LP gaz tüpleri tehlikeli olabilir ve kullanmadan önce LP gazı tedarikçiniz tarafından kontrol edilmelidir.

9. LP gaz tüpü düşürülmemeli veya sert bir şekilde taşınmamalıdır.
10. LP gaz tüpü dışarıda, çocukların ulaşamayacağı bir yerde saklanmalı ve bir bina, garaj veya başka bir kapalı alanda depolanmamalıdır. LP gaz tüpü asla 50°C'yi aşan sıcaklıklarda depolanmamalıdır.
11. Asla dolu bir LP gazı tüpünü sıcak bir arabada veya bagajda tutmayın. Isı, gaz basıncının artmasına neden olarak tahliye vanasını açabilir ve gazın kaçmasına neden olabilir.
12. Bu ızgarayı asla bir karavan, gezici ev veya evinizin bağımsız LP gaz sistemine takmaya çalışmayın.
13. Alkol, reçeteli veya reçetesiz ilaçların kullanımı, tüketicinin bu cihazı doğru bir şekilde kurma veya güvenli bir şekilde çalıştırma yeteneğini bozabilir.
14. Bu ürünle asla odun kömürü, çakmak sıvısı, lav taşları, benzin, parafin veya alkol kullanmayın.
15. Ürününüz başka biri tarafından monte edilmiş olsa bile sızıntı olup olmadığını kontrol edin.
16. Gaz sızıntısı varsa ürünü çalıştırmayın. Gaz sızıntıları yangına veya patlamalara neden olabilir.
17. Çalıştırmadan önce tüm sızıntı kontrol prosedürlerini izlemelisiniz. Sızıntı testi yaparken yangın veya patlama tehlikesini önlemek için:
 - a. Izgarayı yakmadan önce ve tüp kullanım için her bağlandığında daima bir sızıntı testi yapın.
 - b. Sigara İçmek Yasaktır. Sızıntı testi yaparken her türlü ateşleme kaynağından uzak tutun.
 - c. Sızıntı testini dışarıda, iyi havalandırılmış bir alanda gerçekleştirin.
 - d. Sızıntıları kontrol etmek için kibrit, çakmak veya alev kullanmayın.
 - e. Tüm sızıntılar giderilene kadar ızgarayı kullanmayın. Sızıntıyı giderebiliyorsanız, LP gaz beslemesini kesin.
18. Bu cihazın 8m'ye kadar yakınında benzin, diğer yanıcı sıvılar veya buharları saklamayın veya kullanmayın.
19. Patlayıcı bir atmosferde kullanmayın. Izgara alanını temiz, ve yanıcı malzemelerden uzak tutun.
20. Her zaman tüm yanıcı nesnelere ve yüzeylere ızgaradan en az 1m uzakta tutun. Bu ızgarayı veya herhangi bir gaz ürününü herhangi bir korumasız ve yanıcı yapının yakınında veya üstünde kullanmayın.
21. Izgara valfi bölmesini, brülörleri ve sirkülasyon hava deliklerini daima temiz tutmak önemlidir. Her kullanımdan önce ızgarayı teftiş edin.
22. Izgarayı hiçbir şekilde modifiye etmeyin.
23. TAMAMEN monte edilmedikçe ve tüm parçalar sağlam bir şekilde bağlanıp sıkıştırılmadan ızgarayı kullanmayın.
24. Bu ızgara düzenli olarak iyice temizlenmeli ve incelenmelidir. Cihazı kullanmadan önce daima hortumu temizleyin ve inceleyin. Aşınma, eskime, kesilme veya sızıntı izleri varsa hortum, cihaz çalıştırılmadan önce değiştirilmelidir.
25. Yalnızca fabrika tarafından izin verilen parçaları kullanın. Fabrika tarafubdab izin verilmeyen herhangi bir parçanın kullanılması tehlikeli olabilir.
26. Bu kılavuzun 'Kullanım Talimatları' bölümünü okumadan bu cihazı kullanmayın.
27. Yanıkları önlemek için, tamamen soğuyana kadar (yaklaşık 45 dakika) ızgaranın metal kısımlarına dokunmayın.
28. Yemek pişirirken, yangın söndürme ekipmanı kolayca erişilebilir olmalıdır. Yağdan kaynaklanan yangın durumunda su ile söndürmeye çalışmayın. ABC tipi kuru kimyasal yangın söndürücü kullanın veya alevleri toprak, kum veya karbonatla bastırın.
29. Tekneler veya eğlence araçlarında kurmayın ve kullanmayın.
30. Izgarayı sert rüzgarlarda kullanmayın.
31. Yakarken asla ızgaranın üzerine eğilmeyin.
32. Yanan bir ızgarayı gözetimsiz bırakmayın, **UYARI!** Daima çocukları ve evcil hayvanları ızgaradan uzak tutun.
33. Kullanımdayken ızgarayı hareket ettirmeye çalışmayın. Sökmeden veya saklamadan önce ızgaranın soğumasını bekleyin.
34. Izgara, YALNIZCA tüpün bağlantısı kesilip, ızgaradan çıkarılarak dışarıda uygun şekilde saklanırsa iç mekanda saklanabilir.
35. Izgaranın kapağını her zaman dikkatli ve yavaş bir şekilde açın; altında kalan ısı ve buhar sizi ciddi şekilde yakabilir.
36. Izgara kullanımdayken gaz regülatörünü tüpten veya herhangi bir gaz bağlantısı/ armatüründen ayırmaya çalışmayın.
37. Izgarayı daima sert ve düz bir yüzeye yerleştirin. Yüzeyler 50°C'lik sıcaklık artışına dayanıklı olmalıdır.
38. Ahşap güvertelerde son derece dikkatli olun.
39. Gaz hortumlarını sıcak yüzeylerden ve damlayan sıcak yağdan mümkün olduğunca uzağa koyun.
40. Tüm elektrik kablolarını sıcak ızgaradan uzak tutun.
41. İç mekanda yemek pişirmek veya ısıtmak için ızgarayı kullanmayın. Zehirli dumanlar birikebilir ve boğulmaya neden olabilir.
42. Bir süre saklandıktan ve/veya kullanılmadıkdan sonra ızgarayı sızıntı ve brülör engelleri için kontrol edin ve hortumda herhangi bir aşınma, eskime ve kesik olup olmadığını kontrol edin.
43. Izgaranın ocaklarını tutuştururken kapağın açılmaması veya ızgara yanmazsa gazın dağılması için 5 dakika beklenmemesi, patlayıcı bir alevlenmeye neden olabilir.
44. Izgara kullanımında değilse, besleme tüpünden ve regülatörden gaz akışı kapatılmalıdır.
45. Izgarayı, ısı plakaları takılı olmadan asla çalıştırmayın.
46. Yedek bir LP gazı tüpünü bu cihazın altında veya yakınında saklamayın.
47. Doğal koşullar gerektirdiğinde hortum değiştirilmelidir. Belirtilen türü ve uzunluğu kullanın.
48. Tüpü, hortum dönmeyecek ve dolanmayacak şekilde ızgaranın yanına yerleştirin.
49. LP propan gaz tüpünü değiştirirken her türlü ateşleme kaynağından uzak durduğunuzdan emin olun.
50. Cihazda yapılacak herhangi bir modifikasyon tehlikeli olabilir.
51. Yukarıdaki talimatlara ve uyarılara kesinlikle uymazsanız, ölüm, ciddi yaralanma veya maddi hasar meydana gelebilir.

ÜRÜN ÖZELLİKLERİ

CİHAZ KODU: X88-000010 / MODEL: G2082	
TOPLAM ISI GİRİŞİ (TÜM GAZ KATEGORİLERİ)	5,5 kW (400 g/u)
GAZ KATEGORİSİ	I3B/P (30)
GAZ TÜRLERİ	PROPAN LP GAZ KARIŞIMLARI
GAZ BASINCI	30 mBar
ENJEKTÖR BOYUTU	ANA: 0,84 mm
KİMLİK KODU	2575DM28150
UYARI: ERİŞİLEBİLİR PARÇALAR ÇOK SICAK OLABİLİR. KÜÇÜK ÇOCUKLARDAN UZAK TUTUN. CİHAZI KULLANMADAN ÖNCE TALİMATLARI OKUYUN.	
DIŞ MEKANLARDA VE İYİ HAVALANDIRILMIŞ ALANLARDA KULLANIM İÇİNDİR.	
ATEŞLEME: ANA BRÜLÖR: TEK ATEŞLİ PIEZO ATEŞLEME ÜNİTESİ. KULLANILACAK ÖZEL GAZ: PROPAN (30 mBar/DA).	
CİHAZ KODU: X88-000020 / MODEL: G9003B	
TOPLAM ISI GİRİŞİ (TÜM GAZ KATEGORİLERİ)	8,4 kW (611 g/u)
GAZ KATEGORİSİ	I3B/P (30)
GAZ TÜRLERİ	PROPAN LP GAZ KARIŞIMLARI
GAZ BASINCI	30 mBar
ENJEKTÖR BOYUTU	ANA: 0,82 mm
KİMLİK KODU	2575DM28150
UYARI: ERİŞİLEBİLİR PARÇALAR ÇOK SICAK OLABİLİR. KÜÇÜK ÇOCUKLARDAN UZAK TUTUN. CİHAZI KULLANMADAN ÖNCE TALİMATLARI OKUYUN.	
DIŞ MEKANLARDA VE İYİ HAVALANDIRILMIŞ ALANLARDA KULLANIM İÇİNDİR.	
ATEŞLEME: ANA BRÜLÖR: TEK ATEŞLİ PIEZO ATEŞLEME ÜNİTESİ. KULLANILACAK ÖZEL GAZ: PROPAN (30 mBar/DA).	

KURULUM

GAZ TÜPÜNÜN CİHAZA BAĞLANMASI

Bu cihaz yalnızca düşük basınçlı propan gazı (LPG karışımları), ve esnek bir hortum aracılığıyla takılan uygun düşük basınç regülatörü ile kullanım için uygundur. Hortum, regülatör ve cihaza hortum klipsleri ile sabitlenmelidir. Bu mangal, LPG karışımlarıyla 30 mbar'lık regülatör ile çalıştıracak şekilde ayarlanmıştır. Lütfen gaz tüpü için uygun regülatör ile ilgili bilgi almak için LPG bayinize danışın.

REGÜLATÖR VE HORTUM

Bu ürünler mangal ile birlikte verilmez, ekipman satıcınızdan veya yetkili bir LP gazı tedarikçisinden satın alınabilir. Sadece yukarıda verilen basınçlarda, LP gazı için onaylanmış regülatörleri ve hortumları kullanın. Regülatörün hizmet ömür beklentisi 10 yıl olarak tahmin edilmektedir. Üretim tarihinden itibaren 10 yıl içerisinde değiştirilmesi önerilir. Yanlış regülatör veya hortumun kullanılması tehlikelidir; mangalı çalıştırmadan önce her zaman doğru parçaların takılı olduğunu kontrol edin. Aşınmış veya hasar görmüş hortum değiştirilmelidir. Hortumun engellenmediğinden, bükülmediğinden veya bağlantısı dışında mangalın herhangi bir parçasıyla temas etmediğinden emin olun. Kullanılan hortum, kullanıldığı ülke için ilgili standara uygun olmalıdır.

CİHAZIN SAKLANMASI

Cihazın iç mekanda depolanması, yalnızca tüpün cihazdan bağlantısı kesilerek çıkarıldığında mümkündür. Cihaz uzun süre kullanılmadığında orijinal ambalajında, kuru ve tozsuz bir ortamda saklanmalıdır.

GAZ TÜPÜ

Gaz tüpü düşürülmemeli veya sert bir şekilde taşınmamalıdır! Cihaz kullanımda değilse, silindiri bağlantısı kesilmelidir. Silindiri cihazdan çıkardıktan sonra silindirin üzerindeki koruyucu kapağı değiştirin. Tüpler açık havada dik konumda ve çocukların ulaşamayacağı bir yerde saklanmalıdır. Tüp asla 50°C'yi aşan sıcaklıklarda depolanmamalıdır. Silindiri alevlerin, pilot alevlerin veya diğer ateşleme kaynaklarının yakınında saklamayın. SİGARA İÇMEYİN.

Bu mangal, yanıcı malzemelerden uzakta, açık havada kullanılmak üzere tasarlanmıştır. Cihazın üstünde herhangi bir engel olmaması ve yan ile arkada taraflarından minimum 1 metre mesafe olması önemlidir. Cihazın havalandırma açıklıklarının engellenmemesi önemlidir. Mangal düz, sabit bir yüzeyde kullanılmalıdır. Cihaz doğrudan cereyandan korunmalı ve herhangi bir damlayan su ile doğrudan temasa karşı korunarak yerleştirilmelidir.

Üretici veya temsilcisi tarafından mühürlenmiş parçalar kullanıcı tarafından değiştirilmemelidir. Bu mangalın herhangi bir bölümünde modifikasyon yapılmamalı ve onarım ve bakım sadece yetkili bir servis mühendisi tarafından yapılmalıdır.

CİHAZIN BAĞLANMASI

Cihazı bağlamadan önce, gaz silindir başlığı, regülatör, brülör ve brülör girişlerinde herhangi bir kalıntı olmadığından emin olun. Örümcekler ve böcekler brülörün/venturi borusunun içine yuva yapabilir ve tıkayabilir. Tıkalı bir brülör, cihazın alt kısmında yangına neden olabilir. Hortumu, cihaza bir anahtar kullanarak, bağlantı dişine sıkarak takın. Hortum değiştirildiğinde cihaza ve regülatör bağlantılarına hortum kelepçeleri ile sabitlenmelidir. Mangal kullanılmadığında regülatörü silindirden ayırın (regülatörle birlikte verilen talimatlara göre). Bu mangal iyi havalandırılmış bir alanda kullanılmalıdır. Mangalı kullanılırken yanma havasının brülöre akışını engellemeyin. BU MANGALI YALNIZCA DIŞ MEKANLARDA KULLANIN.

KULLANMADAN ÖNCE GAZ KAÇAĞI İÇİN KONTROL EDİN

Sızıntıları asla çıplak alevle kontrol etmeyin: daima sabunlu su çözümü kullanın.

GAZ KAÇAĞINI KONTROL ETMEK İÇİN

1 ölçek bulaşık deterjanını 3 ölçek suyla karıştırarak 2-3 sıvı ons miktarda sızıntı tespit çözeltisi hazırlayın. Kontrol vanasının "KAPALI" olduğundan emin olun. Regülatörü silindire ve AÇMA/KAPAMA valfını brülöre bağlayın, bağlantıların emniyete alındığından emin olun ve ardından gazı AÇIN. Sabunlu çözümü hortuma ve tüm bağlantı yerlerine uygulayın. Kabarcıklar belirirse, sızıntı vardır ve kullanmadan önce giderilmesi gerekir. Arızayı giderdikten sonra yeniden kontrol edin. Test ettikten sonra silindirdeki gazı KAPATIN. Sızıntı tespit edilirse ve giderilemezse: sızıntıyı gidermeye çalışmayın ve yetkili satıcınızla temasa geçin!

KULLANIM TALİMATLARI

Mangal talimatları dikkatle izleyerek kurun. Gaz hortumunu mangala bağlayın. Regülatörü hortuma bağlayın. Regülatörü, regülatör ile birlikte verilen regülatör talimatlarına göre tüp vanasına bağlayın. Cihaza giden gaz beslemesini açmadan önce tüm kontrol düğmelerini "KAPALI" konuma getirin. Regülatörü, regülatörle birlikte verilen talimatlara göre çalıştırın.

MANGALIN YAKILMASI (ANA YAKICI)

YAKMA TALİMATLARI

MODEL G2082 / X88-000010

1. Kapağı açınız.
2. Tüm ayar düğmelerini saat yönünde "OFF" (kapalı) konuma getiriniz.
3. Gaz regülatörünü gaz tüpüne ve mangala bağlayınız. Gaz tüpünü "ON" (açık) konuma getiriniz. Sabunlu su kullanarak gaz tüpü ve gaz regülatörü arasında gaz kaçağı olup olmadığını kontrol ediniz.
4. Sol taraftaki ayar düğmesini içeri doğru bastırınız ve saat yönünün tersine "Full rate" (tam gaz) konumuna getiriniz. Aynı zamanda piezo

ateşleme düğmesine 4-5 kere basınız. Böylece yakıcı ateşlenecektir. Yakıcının yanıp yanmadığını kontrol ediniz. Eğer yanmamışsa bu adımları tekrar ediniz.

5. Tekrar denedikten sonra yakıcı hala yanmamışsa 5 dakika bekleyiniz ve 3. adımı tekrar ediniz.
6. Ayar düğmesini High/Low (Yüksek/Düşük) konumuna getirerek ısıyı ayarlayınız.
7. Yakıcı yanmaz ise bir kibrit kullanarak mangalın yan tarafında bulunan yakma deliği aracılığıyla yakınız.
8. Sağ taraftaki yakıcıyı yakmak için, sağ ayar düğmesini tam gaz konumuna getiriniz, sol yakıcı tarafından ateşlenecektir. Mangalı her zaman soldan sağa doğru yakınız.
9. Mangalı SÖNDÜRMEK için: Gaz tüpünün valfını kapatınız, mangalın ayar düğmelerini saat yönünde "OFF" (kapalı) konuma getiriniz.

MODEL G9003B / X88-000020

1. Kapağı açınız.
2. Tüm ayar düğmelerini saat yönünde "OFF" (kapalı) konuma getiriniz.
3. Gaz regülatörünü gaz tüpüne ve mangala bağlayınız. Gaz tüpünü "ON" (açık) konuma getiriniz. Sabunlu su kullanarak gaz tüpü ve gaz regülatörü arasında gaz kaçağı olup olmadığını kontrol ediniz.
4. Şimşek sembolü (⚡) ile işaretli ikinci kontrol düğmesine basınız ve aynı zamanda onu "HI" konumuna getiriniz. Böylece ateşlemeden kıvılcım çıkmalı ve ana brülörü yakmalıdır.
5. Ana brülörün sinyal (⚡) ışığı yandığını gösterdiğinde diğer brülörleri yakabilirsiniz.
6. Yakma işlemi işe yaramazsa, düğmeyi "OFF" (kapalı) konuma getiriniz, birkaç dakika bekleyin ve 4. adımı tekrarlayınız.
7. Kontrol düğmesini kullanarak alevi istenen kuvvete ayarlayınız.
8. Mangalı kapatmak için gazı veya regülatörü doğrudan kapatınız ve tüm kontrolleri tekrar "OFF" (kapalı) konuma getiriniz.

DIKKAT: Yakıcı yanmaz ise, ayar düğmesini saat yönünde kapatınız ve gaz tüpünün valfını da kapatınız. Tekrar ateşlemeden önce beş dakika bekleyiniz.

TEMİZLİK VE BAKIM

DIKKAT: Tüm temizlik ve bakım mangal soğuduktan sonra ve yakıt beslemesi gaz tüpünden KAPALI hale getirildikten sonra yapılmalıdır.

TEMİZLİK

Her kullanımdan sonra mangalı yakmak (yaklaşık 15 dakika) fazla yiyecek kalıntılarını en aza indirecektir.

DIŞ YÜZEY

Hafif bir deterjan veya karbonat ve sıcak su çözümü kullanın. Aşındırıcı olmayan ovma tozu inatçı lekelerde kullanılabilir, ardından suyla durulayın. Mangal kapağının iç yüzeyi soyulan boya

görünümündeyse, pişmiş yağ birikintisi karbona dönmüş ve dökülmektedir. Sıcak, kuvvetli bir sæbunlu su solusyonu ile iyice temizleyin. Su ile durulayın ve tamamen kurumasını bekleyin. ASLA FIRIN TEMİZLEYİCİ KULLANMAYIN.

MANGAL TABANININ İÇ YÜZEYİ

Artıkların fırça, kazıyıcı ve/veya temizleme pedi kullanarak çıkarın, ardından sæbunlu su solusyonu ile yıkayın. Su ile durulayın ve kurumaya bırakın.

PİŞİRME IZGARASI

Hafif sæbunlu su solusyonu kullanın. Aşındırıcı olmayan güçlü temizleyiciler inatçı lekelerde kullanılabilir. Ardından suyla durulayın.

BRÜLÖR DÜZENEGİNİN TEMİZLENMESİ

Kontrol düğmesinden gazı KAPATIN ve tüpün bağlantısını kesin. Soğuyan ızgarayı kaldırın. Brülörü yumuşak bir fırça ile veya basınçlı hava ile temizleyin ve bir bezle silin. Tıkalı bağlantı noktalarını bir boru temizleyicisi veya sert bir telle (açılmış bir ataş gibi) temizleyin. Brülörü herhangi bir hasar (çatlak veya delik) açısından inceleyin. Hasar bulunursa, yeni bir brülörle değiştirin. Brülörü yeniden takın, gaz vanası açıklıklarının brülör girişinin içine (venturi) doğru konumlandırıldığından ve sabitlendiğinden emin olmak için kontrol edin.

SERVİS

Gazlı mangalımıza, yıllık olarak yetkin ve kayıtlı bir profesyonel tarafından servis yapılmalıdır.

ÇEVREMİZ

Bu ürünün ömrü sonuna erdiği anda, ürünü elektrikli ve elektronik eşya toplayan bir noktaya veya kuruma götürün. Ürünün kendisindeki, kullanma kılavuzundaki ve ambalajındaki yönergeleri ve simgeleri dikkate alın. Eşya toplama noktasının adres ve bilgileri için belediyeniz ile irtibata geçebilirsiniz.

DK GRILL

VIGTIGT:

- Læs nedenstående anvisninger nøje igennem, og sørg for, at din grill installeres, samles og vedligeholdes korrekt. Manglende overholdelse af disse anvisninger kan medføre alvorlig personskade og/eller materiel skade. GEMMES TIL SENERE BRUG.
- Hvis du har spørgsmål vedrørende samling eller betjening af produktet, bedes du henvende dig til din forhandler eller LPG-leverandør.
- Når apparatet og GAS-flasken bruges på jorden, skal det sikres, at de står på en plan overflade.
- Tænd aldrig for apparatet, når LÅGET er lukket.
- Brug aldrig og tænd aldrig for sidebrænderen, mens låget er lukket.

- Grillen kan bruges med en gasflaske på 6-11 kg.
- Når grillen tændes, skal følgende afstande overholdes ubetinget:
 - Ved siden af og bag ved apparatet: 1 meter fra enhver form for hindring.
 - Over apparatet: INGEN HINDRINGER TILLADT OVER APPARATET.
 - KUN TIL UDENDØRS BRUG.
- **ADVARSEL:** DE TILGÆNGELIGE DELE KAN BLIVE MEGET VARME. HOLD MINDRE BØRN PÅ AFSTAND.
- APPARATET MÅ IKKE FLYTTES, MENS DET ER I BRUG.

HVIS DER BEMÆRKESES GASLUGT

- Luk for gastilførslen til grillen
- Sluk enhver form for åben ild
- Åbn låget
- Hvis lugten stadig er til stede: Gå væk fra apparatet, og tilkald øjeblikkeligt din gasleverandør eller brandvæsenet.
- Propan-LPG-flasken må ikke opbevares inden for 4 meter af apparatet.
- Benzin og andre væsker, der afgiver brændbare dampe, må ikke opbevares eller anvendes inden for 8 meter af dette eller lignende apparater.
- Gasflasker (der ikke er tilsluttet til brug) må aldrig opbevares i nærheden af dette eller lignende apparater.

ADVARSLER

1. Denne grill er kun til udendørs brug og må ikke bruges i en bygning, en garage eller et andet lukket område.
2. Denne grill er IKKE beregnet til kommerciel brug.
3. Denne grill må kun benyttes med en propan-LPG-blanding. Det er farligt at bruge eller konvertere produktet til brug af naturgas.
4. LPG-egenskaber:
 - a. LPG-gas er brændbart og farligt, hvis det ikke håndteres korrekt. Læs anvisningerne nøje inden brug af enhver form for LPG-produkt.
 - b. LPG-gas er sprængfarligt under tryk, er tungere end luft og samler sig i lave områder.
 - c. I sin naturlige form er LPG-gas lugtfri. Af sikkerhedsmæssige årsager er der tilsat et lugtstof, der lugter som rådden kål.
 - d. Kontakt med LPG-gas kan forårsage forfrysninger på huden.
5. Gasflasken skal være udstyret med en tankventil.
6. Gasflasken skal være udstyret med en tankkrave, der beskytter tankventilen.

7. Brug aldrig en propan-LPG-flaske, hvis beholderen, ventilen, kraven eller bunden er beskadiget.
8. Bulede eller rustne LPG-flasker kan være farlige og skal kontrolleres af din LPG-leverandør før brug.
9. LPG-flasken må ikke tabes eller håndteres hårdhændet.
10. LPG-flasken skal opbevares udendørs og utilgængeligt for børn og må ikke opbevares i en bygning, garage eller andet lukket område. LPG-flasken må aldrig opbevares på et sted, hvor temperaturen kan nå op over 50 °C.
11. En fyldt LPG-flaske må aldrig opbevares i en varm bil eller et varmt bagagerum. Varmen vil få gastrykket til at stige, hvilket kan få sikkerhedsventilen til at åbnes, så gassen kan slippe ud.
12. Forsøg aldrig at koble grillen til det indbyggede LPG-system i en campingvogn, en autocamper eller et hus.
13. Indtagelse af alkohol eller brug af receptpligtig eller ikke-receptpligtig medicin kan påvirke brugerens evne til at samle apparatet korrekt eller til at betjene det på sikker vis.
14. Brug aldrig grillkul, lighervæske, lavasten, benzin, paraffin eller sprit sammen med dette produkt.
15. Udfør lækagesøgning, også hvis en anden har samlet produktet.
16. Brug ikke produktet, hvis der er gaslækage. Gaslækage kan forårsage brand eller eksplosion.
17. Følg alle procedurer til lækagesøgning, inden apparatet anvendes. Undgå brand og eksplosion under lækagesøgningen:
 - a. Udfør altid lækagesøgning, før grillen tændes, og hver gang der tilsluttes en gasflaske.
 - b. Rygning er forbudt. Hold apparatet væk fra enhver form for antændelseskilde under lækagesøgningen.
 - c. Udfør lækagesøgningen udendørs på et sted med god ventilation.
 - d. Brug ikke tændstikker, lightere eller åben ild til lækagesøgningen.
 - e. Brug ikke grillen, før alle lækager er udbedret. Frakobl LPG-tilførslen, hvis du ikke kan udbedre lækagen.
18. Benzin og andre brændbare væsker eller dampe må ikke opbevares eller anvendes inden for 8 meter fra apparatet.
19. Må ikke bruges i en eksplosiv atmosfære. Området omkring grillen skal holdes ryddet og frit for brændbare materialer.
20. Der skal altid holdes mindst 1 meters afstand mellem grillen og alle brændbare genstande og overflader. Grillen og andre gasprodukter

- må ikke anvendes under eller i nærheden af ubeskyttede brændbare konstruktioner.
21. Det er meget vigtigt at holde grillens ventilrum, brændere og ventilationsåbninger rene. Grillen skal efterses før hver brug.
 22. Der må ikke foretages nogen form for ændringer på grillen.
 23. Grillen må kun bruges, når den er HELT samlet, og når alle dele er monteret og spændt forsvarligt.
 24. Denne grill skal rengøres grundigt og efterses regelmæssigt. Slangen skal altid renses og efterses, inden apparatet anvendes. Hvis der er tegn på slitage, revner eller lækage, skal slangen udskiftes, inden apparatet må tages i brug.
 25. Der må kun benyttes fabriksgodkendte reservedele. Det kan være farligt at bruge dele, som ikke er fabriksgodkendt.
 26. Dette apparat må først tages i brug, når afsnittet "Brugsanvisning" i denne manual er læst.
 27. For at undgå forbrændinger må grillens metaldele ikke berøres, før grillen er kølet helt af (efter ca. 45 minutter).
 28. Under tilberedningen skal der forefindes lettilgængeligt brandslukningsudstyr i nærheden. I tilfælde af fedtbrand: Forsøg ikke at slukke ilden med vand. Brug en ABC-pulverslukker, eller kvæl flammerne med jord, sand eller natron.
 29. Apparatet må ikke installeres eller anvendes i både eller fritidskøretøjer.
 30. Grillen må ikke bruges i kraftig blæst.
 31. Bøj dig aldrig ind over grillen, når du tænder den.
 32. En tændt grill må ikke efterlades uden opsyn. **ADVARSEL!** Hold altid børn og dyr væk fra grillen.
 33. Forsøg ikke at flytte grillen, mens den er i brug. Lad grillen køle af, før den flyttes eller sættes tilbage på sin opbevaringsplads.
 34. Grillen må KUN opbevares indendørs, hvis gasflasken er frakoblet og opbevares separat udendørs.
 35. Åbn altid grillens låg forsigtigt og langsomt, da varmen og dampen, der er fanget under låget, kan forårsage alvorlige forbrændinger.
 36. Forsøg ikke at frakoble gasregulatoren fra gasflasken eller andre gasfittings, mens grillen er i brug.
 37. Grillen skal altid placeres på et hårdt og plant underlag. Underlaget skal kunne holde til en temperaturstigning på 50°C.
 38. Udvis den største varsomhed på en træterrasse.
 39. Placer gaslangerne længst muligt væk fra varme overflader og dryppende varmt fedt.

40. Hold alle elledninger i behørig afstand fra den varme grill.
41. Må ikke bruges til tilberedning eller opvarmning indendørs. Der kan ophobe sig giftige dampe, som kan forårsage kvælning.
42. Efter en periode, hvor grillen har været opmagasineret og/eller ikke har været i brug, skal der udføres lækagesøgning og kontrolleres for brænderblokeringer, og slangen skal efterses for slitage og revner.
43. Hvis låget ikke er åbent, mens grillens brændere tændes, eller hvis der ikke ventes i 5 minutter, når grillen ikke kan tændes, så gassen kan forsvinde, kan det medføre en eksplosiv opflamning.
44. Når grillen ikke er i brug, skal der lukkes for gassen på gasflasken og regulatoren.
45. Grillen må aldrig anvendes, uden at varmepladerne er installeret.
46. Der må ikke opbevares en ekstra LPG-flaske under eller i nærheden af apparatet.
47. Slangen skal udskiftes, når dette er nødvendigt af naturlige årsager. Anvend den anførte type og længde.
48. Gasflasken skal placeres ved siden af grillen på en måde, så slangen ikke er eller kan blive snoet.
49. Sørg for at stå i behørig afstand fra enhver form for antændelseskilde, når LPG-propanflasken udskiftes.
50. Enhver form for ændring af apparatet kan være farligt.
51. Hvis ovenstående anvisninger og advarsler ikke overholdes nøje, kan det medføre død, alvorlig personskade eller materiel skade.

PRODUKTSPECIFIKATIONER

APPARATETS KODE: X88-000010 / MODEL: G2082	
SAMLET VARMETILFØRSEL (ALLE GASKATEGORIER)	5,5 kW (400 g/h)
GASKATEGORI	I3B/P (30)
GASTYPER	PROPAN-LPG-BLANDINGER
GASTRYK	30 mBar
DYSESTØRRELSE	HØVED: 0,84 mm
IDENTIFIKATIONSKODE	2575DM28150
ADVARSEL: DE TILGÆNGELIGE DELE KAN BLIVE MEGET VARME. HOLD MINDRE BØRN PÅ AFSTAND. LÆS ANVISNINGERNE NØJE, INDEN APPARATET TAGES I BRUG.	
TIL UDENDØRS BRUG I OMRÅDER MED GOD VENTILATION.	
TÆNDING HØVEDBRÆNDER: SINGLESHOT-PIEZOTÆNDING. FORESKREVET GAS TIL BRUG: PROPAN (MINDST 30 mBar).	

APPARATETS KODE: X88-000020 / MODEL: G9003B	
SAMLET VARMETILFØRSEL (ALLE GASKATEGORIER)	8,4 kW (611 g/h)
GASKATEGORI	I3B/P (30)
GASTYPER	PROPAN-LPG-BLANDINGER
GASTRYK	30 mBar
DYSESTØRRELSE	HØVED: 0,82 mm
IDENTIFIKATIONSKODE	2575DM28150
ADVARSEL: DE TILGÆNGELIGE DELE KAN BLIVE MEGET VARME. HOLD MINDRE BØRN PÅ AFSTAND. LÆS ANVISNINGERNE NØJE, INDEN APPARATET TAGES I BRUG.	
TIL UDENDØRS BRUG I OMRÅDER MED GOD VENTILATION.	
TÆNDING HØVEDBRÆNDER: SINGLESHOT-PIEZOTÆNDING. FORESKREVET GAS TIL BRUG: PROPAN (MINDST 30 mBar).	

SAMLING

TILKOBLING AF GASFLASKE PÅ APPARATET

Dette apparat er udelukkende egnet til brug med lavtrykspropangas (LPG-blandinger), udstyret med en egnet lavtryksregulator via en fleksibel slange. Slangen skal være fastgjort til regulatoren og apparatet med slangeklemmer. Denne grill er indstillet til brug med en 30-mbar-regulator med LPG-blandinger. Spørg din LPG-forhandler, hvilken regulator der er egnet til gasflasken.

REGULATOR OG SLANGE

Disse dele følger ikke med grillen. De kan købes i den butik, hvor du plejer at købe udstyr, eller hos en autoriseret LPG-leverandør. Brug kun regulatorer og slanger, som er godkendt til LPG-gas ved ovennævnte tryk. Regulatoren har en estimeret levetid på 10 år. Det anbefales, at regulatoren udskiftes senest 10 år efter produktionsdatoen. Brug af en forkert regulator eller slange er farligt. Kontroller altid, at du har de korrekte dele, før du bruger grillen. En slidt eller beskadiget slange skal udskiftes. Det skal sikres, at slangen ikke er tilstoppet, at den ikke har skarpe buk, og at den ikke er berørt af grillens dele ud over ved koblingen. Den anvendte slange skal leve op til den relevante standard i det land, hvor den anvendes.

OPBEVARING AF APPARATET

Apparatet må kun opbevares indendørs, hvis gasflasken er frakoblet og opbevares separat. Hvis apparatet ikke skal bruges i længere tid, skal det opbevares i originalemballagen på et tørt og støv frit sted.

GASFLASKE

Gasflasken må ikke tabes eller håndteres hårdhændet! Når apparatet ikke er i brug, skal gasflasken frakobles. Når gasflasken er koblet fra apparatet, skal gasflaskens beskyttelseshætte sættes på igen. Gasflasker skal opbevares udendørs, stående og utilgængeligt for børn. Gasflasken må aldrig opbevares på et sted, hvor temperaturen kan nå op over 50 °C. Gasflasken må ikke opbevares i nærheden af åben ild, en vågeflamme eller anden antændelseskilde. RYGNING FORBUDET.

Denne grill er beregnet til udendørs brug, i behørig afstand fra enhver form for brændbare materialer. Det er vigtigt, at der ikke er nogen hindringer over apparatet, og at der er mindst 1 meters afstand til siderne og bag ved apparatet. Det er vigtigt, at apparatets ventilationsåbninger ikke tildækkes. Grillen skal anvendes på et plant, stabilt underlag. Apparatet skal beskyttes mod direkte træk og skal placeres væk fra eller beskyttes mod direkte kontakt med dryppende vand.

Dele, der er forseglet af producenten eller dennes agent, må ikke ændres af brugeren. Der må ikke foretages ændringer på nogen af grillens dele, og reparationer og vedligeholdelse må kun udføres af en autoriseret servicetekniker.

TILSLUTNING AF APPARATET

Inden apparatet tilsluttes, skal det sikres, at der ikke sidder snavs i gasflaskehovedet, regulatoren, brænderen eller brænderportene. Edderkopper og insekter kan bygge rede i apparatet og derved tilstoppe brænderen/venturislagen ved åbningen. En tilstoppet brænder kan forårsage brand i den nederste del af apparatet. Fastgør slangen til apparatet ved at spænde den på koblingsgevindet med en skrueøgle. Hvis slangen udskiftes, skal den fastgøres til apparatet og regulatorkoblingerne med slangeklemmer. Afmonter regulatoren fra gasflasken (i henhold til de anvisninger, der følger med regulatoren), når grillen ikke er i brug. Grillen skal anvendes på et sted med god ventilation. Der må ikke blokeres for tilstrømningen af forbrændingsluft til brænderen, når grillen er i brug. DENNE GRILL MÅ KUN ANVENDES UDENDØRS.

UDFØR LÆKAGESØGNING FØR BRUG.

Brug aldrig åben ild til lækagesøgning. Brug altid en sæbevandsopløsning.

LÆKAGESØGNING

Lav ½-1 dl lækagesøgningsvæske ved at blande 1 del opvaskemiddel med 3 dele vand. Kontroller, at kontrolventilen står på "OFF". Kobl regulatoren til gasflasken, og kobl ON/OFF-ventilen til brænderen. Kontroller, at samlingerne er fastspændt. Luk op for gassen. Kom sæbevandsopløsning på slangen og alle samlinger. Hvis der opstår bobler, er der en lækage, som skal udbedres, før grillen kan bruges. Udfør en ny lækagesøgning, når fejlen er udbedret. Luk for gastilførslen på gasflasken efter lækagesøgningen. Hvis der konstateres en lækage, som ikke kan udbedres, skal du ikke selv forsøge at løse problemet. Kontakt din forhandler!

BRUGSANVISNING

Saml grillen ved at følge anvisningerne nøje. Kobl gasslangen til grillen. Kobl regulatoren til slangen. Kobl regulatoren til gasflaskens ventil i henhold til de anvisninger, der fulgte med regulatoren. Indstil alle kontrolknapper på "OFF", inden der lukkes op for gastilførslen til apparatet. Betjen regulatoren i henhold til de anvisninger, der fulgte med den.

TIL DIN BARBECUE (HOVEDBURNER)

BELYSNINGSTRUKTIONER

MODEL G2082 / X88-000010

1. Åbn hættten.
2. Drej alle betjeningsknapper med uret til "OFF"-position.
3. Tilslut gasregulatoren til gasflasken og apparatet. Tænd gasforsyningen "TIL" ved gasflasken. Kontroller med brug af sæbevand for eventuel gaslækage mellem flasken og gasregulatoren.
4. Tryk venstre betjeningsknap ned, og drej den mod uret til "Full rate"-positionen, mens du trykker på piezo tændingen 4 eller 5 gange. Dette tænder

brænderen. Overhold, hvis brænderen er tændt. Hvis ikke gentages denne proces.

5. Hvis brænderen ikke er tændt efter forsøget igen, vent 5 minutter, og gentag trin 3.
6. Juster varmen ved at dreje knappen til høj / lav position.
7. Hvis brænderen ikke lyser. Tænd apparatet med en tændstik ved hjælp af belysningshullet i siden af apparatet.
8. For at tænde den højre brænder skal du dreje den højre betjeningsknap til den fulde hastighed, det lyser af den venstre brænder. Tænd altid apparatet fra venstre brænder til højre side.
9. Sådan slukker du for grillen: Luk gasflaskeventilen, og drej derefter kontrolknappen på apparatet med uret til "OFF" position.

MODEL G9003B / X88-000020

1. Åbn hættten.
2. Drej alle betjeningsknapper med uret til "OFF"-position.
3. Tilslut gasregulatoren til gasflasken og apparatet. Tænd gasforsyningen "TIL" ved gasflasken. Kontroller med brug af sæbevand for eventuel gaslækage mellem flasken og gasregulatoren.
4. Tryk på den anden kontrolknap, som kan kendes på lynsymbolet (⚡), og drej den samtidig om på "HI". Herved bør tændingen slå gnister og tænde for hovedbrænderen.
5. De øvrige brændere kan tændes, når hovedbrænderens signallampe (⚡) viser, at den er tændt.
6. Hvis tændingsprocessen ikke fungerer, så drej knappen om på "OFF", vent et par sekunder, og gentag punkt 4.
7. Regulér flammen til den ønskede styrke ved hjælp af kontrolknappen.
8. Sluk for grillen ved at lukke for gassen direkte eller på regulatoren og dreje alle kontrolknapper om på "OFF".

ADVARSEL: Hvis brænderen ikke tænder, skal du dreje kontrolknappen (med uret) og også slukke for gasflaskeventilen. Vent fem minutter, før du forsøger at relæ med tændingssekvensen.

RENGØRING OG VEDLIGEHOLDELSE

VIKTIGT: Enhver form for rengøring og vedligeholdelse må kun udføres, når grillen er afkølet, og når der er lukket for gastilførslen på gasflasken.

RENGØRING

"Afbrending" af grillen efter hver brug (ca. 15 minutter) vil begrænse omfanget af madrester til et minimum.

UDVENDIGE FLADER

Brug et mildt rengøringsmiddel eller natron samt en varmtvandsopløsning. Et ikke-slibende skurepulver

kan anvendes på genstridige pletter, hvorefter der skylles efter med vand. Hvis overfladen på grilllågets inderside minder om afskallet maling, er det fastbrændt, ophobet fedt, som er blevet omdannet til kulstof og skaller af. Rengør det grundigt med en stærk sæbevandsopløsning. Skyl efter med vand, og lad det tørre helt. BRUG ALDRIG OVNRENS.

INDERSIDEN AF GRILLEN BUND

Fjern rester med en børste, skraber eller rengøringsvamp, og vask derefter med sæbevand. Skyl efter med vand, og lad overfladen tørre.

GRILLRISTEN

Brug en mild sæbevandsopløsning. Et ikke-slibende skurepulver kan anvendes på genstridige pletter, hvorefter der skylles efter med vand.

RENGØRING AF BRÆNDERINDSATSEN

Luk for gassen på kontrolknappen, og frakobl gasflasken. Fjern den afkølede grillrist. Rengør brænderen med en blød børste, eller blæs den ren med trykluft, og tør efter med en klud. Rens eventuelle tilstoppede porte med en piberenser eller kraftig ståltråd (f.eks. en udfoldet papirclips). Efterse brænderen for eventuelle skader (revner eller huller). Hvis der konstateres skader, skal brænderen udskiftes med en ny. Geninstaller brænderen, og kontroller, at gasventilåbningerne er placeret korrekt og fastgjort i brænderindgangen (venturi).

SERVICEEFTERSYN

Din gasgrill bør have et årligt serviceeftersyn, som skal udføres af en kompetent og registreret fagmand.

MILJØET

Når dette produkt når slutningen af sin levetid afleveres det på et indsamlingssted til genbrug af elektrisk og elektronisk udstyr. Der henvises til symbolerne på produktet, brugsinstruktionerne eller emballagen. Kontakt din kommune for adressen på det relevante indsamlingssted i dit nabolag.

NO GRILL

VIKTIG:

- Les følgende instruksjoner grundig og forsikre deg om at grillen din installeres, monteres og vedlikeholdes riktig. Hvis ikke disse instruksjonene følges kan det føre til alvorlig personskade og/eller skade på eiendom. TA VARE PÅ BRUGSANVISNINGEN SÅ DU KAN LESE DEN SENERE.
- Hvis du skulle ha spørsmål angående montering eller betjening av dette produktet, konsulter forhandleren din eller leverandøren av LP-gassen.
- Forsikre deg om at apparatet og gasstanken står på et flatt underlag når de brukes på bakken.

- Tenn aldri apparatet med lokket i lukket posisjon.
- Bruk aldri sidebrenneren med lokket i lukket posisjon.
- Grillen din kan brukes på en 6- eller 11-kilos gasstank.
- Når grillen tennes må følgende sikkerhetsavstander respekteres:
- Apparatets sider og bakside: 1 meter fra alle hinder.
- Over apparatet: INGEN HINDER OVER APPARATET ERTILLATT.
- KUN FOR UTENDØRS BRUK.
- **ADVARSEL:** TILGJENGELIGE DELER KAN VÆRE SVÆRT VARME. SMÅ BARN MÅ HOLDES UNNA APPARATET.
- IKKE FLYTT APPARATET UNDER MATLAGINGEN.

HVIS DU KJENNER GASSLUKT

- Skru av grillens gassinntak
- Slukk all åpen flamme
- Åpne lokket
- Hvis lukten vedvarer må du holde deg unna apparatet og umiddelbart ringe gassleverandøren eller brannvesenet.
- Ikke oppbevar LPG-sylindere med propan nærmere apparatet enn 4 m.
- Ikke oppbevar eller bruk bensin eller andre væsker med brennbar damp nærmere dette apparatet eller tilsvarende apparater enn 8 m.
- Gasstanker (som ikke er tilkoblet for bruk) må aldri oppbevares i nærheten av dette apparatet eller andre lignende apparater.

ADVARSLER

1. Denne grillen er kun for utendørs bruk, og må ikke brukes i en bygning, garasje eller annet lukket område.
2. Denne grillen skal ikke brukes til kommersiell bruk.
3. Denne må kun brukes med propan-LP-gassblanding. Bruk av naturgass eller ombygging av produktet for bruk med naturgass er farlig.
4. LP-gassens egenskaper:
 - a. LP-gass er brennbar og farlig hvis den ikke håndteres på korrekt måte. Les spesifikasjonene grundig før du bruker et LP-gass-produkt.
 - b. LP-gass er eksplosiv under trykk, tyngre enn luft og vil samles opp i bassenger og lave områder.
 - c. LP-gass i naturlig tilstand er luktfri. Av sikkerhetsgrunner er det tilsatt en lukt til gassen som minner om råttent kål.
 - d. Kontakt med LP-gass kan føre til frostskafer på huden.
5. Gasstanken må være utstyrt med en tankventil.

6. Gasstanken må være utstyrt med en tankkrage for å beskytte tankventilen.
7. Bruk aldri en propan-LP-gasstank med skadd kropp, ventil, krage eller bunn.
8. Bulkede eller rustede LP-gasstanker kan være farlige og må kontrolleres av din LP-gass-leverandør før bruk.
9. LP-gasstanken må ikke utsettes for støt eller håndteres skjodesløst.
10. LP-gasstanken må oppbevares utendørs, utenfor rekkevidde for barn, og må ikke oppbevares i en bygning, garasje eller annet lukket område. LP-gasstanken må aldri lagres der temperaturen kan stige til over 50°C.
11. Oppbevar aldri en LP-gasstank i en varm bil eller et varmt bagasjerom. Varme vil føre til at gassen ekspanderer, noe som kan åpne avlastningsventilen og slippe ut gass.
12. Prøv aldri å koble denne gassen til et LP-gasssystem som tilhører en campingvogn, campingbil eller et hus.
13. Bruk av alkohol, reseptbelagte legemidler eller ikke-reseptbelagte legemidler kan påvirke forbrukerens evne til å montere eller bruke dette apparatet på en trygg måte.
14. Bruk aldri kull, lightervæske, lavasteiner, bensin, parafin eller alkohol sammen med dette produktet.
15. Kontroller om det finnes lekkasjer hvis apparatet ditt er blitt montert av noen andre enn deg selv.
16. Ikke bruk dette produktet hvis det lekker gass. Gasslekkasjer kan føre til brann eller eksplosjoner.
17. Du må følge alle lekkasjesdeteksjonsprosedyrer før bruk. For å unngå brann- eller eksplosjonsfare når du tester for lekkasje:
 - a. Gjennomfør alltid en lekkasjetest før du tenner grillen og hver gang grillen kobles til for bruk.
 - b. Røyking forbudt. Hold apparatet unna antenneskilder under gjennomføringen av lekkasjetesten.
 - c. Gjennomfør lekkasjetesten på et sted med god ventilasjon.
 - d. Ikke bruk fyrstikker, lightere eller åpen flamme til å se etter lekkasjer.
 - e. Ikke bruk grillen før alle lekkasjer er reparert. Koble fra tilførselen av LP-gass hvis du ikke er i stand til å reparere lekkasjen.
18. Ikke oppbevar eller bruk bensin eller andre brennbare væsker eller damper nærmere dette apparatet enn 8 m.
19. Må ikke brukes i eksplosive atmosfærer. Hold grillområdet ryddig og fritt for brennbare materialer.
20. Hold alltid brennbare gjenstander og overflater minst 1 m unna grillen. Ikke bruk grillen eller noe gassprodukt under et overbygg eller i nærheten av ubeskyttede brennbare strukturer.
21. Det er svært viktig å holde grillventilrommet, brennerne og luftsirkulasjonsventilene rene. Inspiser grillen hver gang den skal brukes.
22. Ikke utfør noen endringer på grillen.
23. Ikke bruk grillen hvis den ikke er HELT montert, og alle delene er godt festet og strammet til.
24. Denne grillen skal rengjøres grundig og inspiseres med jevne mellomrom. Rengjør og inspiser alltid slangen før du bruker apparatet. Slangen må repareres før du tar i bruk apparatet hvis du oppdager tegn på avsliting, slitasje, kutt eller lekkasjer.
25. Bruk kun deler som er autoriserte av produsenten. Bruk av deler som ikke er autoriserte av produsenten kan være farlig.
26. Ikke bruk dette apparatet uten først å ha lest avsnittet «Bruksanvisning» i denne håndboken.
27. For å unngå brannskader må du ikke berøre noen av grillens metalldeleer før den er helt avkjølt (dette tar ca. 45 min).
28. Sørg for å ha brannslukningsutstyr lett tilgjengelig under matlagingen. Hvis fett/olje skulle ta fyr må du ikke forsøke å slokke med vann. Bruk kjemisk pulverapparat av type ABC eller kvel flammene med jord, sand eller natron.
29. Ikke installer eller bruk apparatet i båter eller fritidskjøretøy.
30. Ikke bruk grillen ved sterk vind.
31. Len deg aldri over grillen når du tenner den.
32. Ikke gå fra en tent grill uten tilsyn. **ADVARSEL!** Hold alltid barn og kjæledyr unna grillen.
33. Ikke prøv å flytte grillen når den er i bruk. La grillen avkjøles helt før du flytter den eller setter den bort for lagring.
34. Grillen kan lagres innendørs KUN hvis tanken er frakoblet, fjernet fra grillen og lagret på riktig måte utendørs.
35. Åpne alltid grilllokket forsiktig og langsomt, da damp under lokket kan gi alvorlige brannskader.
36. Ikke prøv å koble fra gassregulatoren fra tanken eller en annen gasskobling mens grillen er i bruk.
37. Sett alltid grillen på et hardt og vannrett underlag. Underlaget skal kunne tåle en temperaturøkning på 50°C.
38. Vær ekstremt forsiktig på underlag av tre.

39. Sørg for at gasslangene er så langt borte fra varme overflater og dryppende varmt fett som mulig.
40. Hold alle elektriske ledninger unna grillen.
41. Ikke bruk grillen til innendørs matlaging eller oppvarming. Giftige avgasser kan samles opp og føre til kvalning.
42. Etter at grillen har vært lagret og/eller ikke brukt i en lengre periode, må den kontrolleres for lekkasjer og blokkeringer av brenneren. Slangen må også inspiseres for avsliting, slitasje og kutt.
43. Hvis ikke lokket åpnes under tenning av brennerne, eller hvis det ikke ventes i 5 minutter etter et mislykket tenningsforsøk (så gassen kan forsvinne), kan det føre til eksplosiv oppflamming.
44. Hvis grillen ikke er i bruk må gassen skrues av på gasstanken og regulatoren.
45. Bruk aldri grillen uten at dens varmeplater er installerte.
46. Ikke lagre en reserve-LP-gasstank under eller i nærheten av dette apparatet.
47. Rørene må byttes når dette er nødvendig på grunn av naturlige forhold. Bruk den typen og lengden som er spesifisert.
48. Plasser tanken ved siden av grillen slik at ikke slangen er eller kan bli vridd.
49. Forsikre deg om at du ikke står i nærheten av antennelseskilder når du bytter LP-propantanken.
50. All endring av apparatet kan vær farlig.
51. Det kan oppstå dødsfall, alvorlig personskade eller skade på eiendom hvis ikke de ovennevnte instruksjonene og advarslene følges strengt.

PRODUKTSPEKIFIKASJONER

APPARATKODE: X88-000010 / MODELL: G2082	
TOTAL VARMEEFFEKT: (ALLE GASSKATEGORIER)	5,5 kW (400 g/t)
GASSKATEGORI	I3B/P (30)
GASSTYPER	PROPAN-LP-GASSBLANDINGER
GASSTRYKK	30 mBar
INJEKTORSTØRRELSE	HOVED: 0,84 mm
IDENTIFIKASJONSKODE	2575DM28150
ADVARSEL: TILGJENGELIGE DELER KAN VÆRE SVÆRT VARME. HOLD SMÅ BARN UNNA APPARATET. LES BRUKSANVISNINGEN FØR DU BRUKER APPARATET.	
FOR BRUK UTENDØRS OG PÅ STEDER MED GOD VENTILASJON.	
TENNING HOVEDBRENNER: ENKELTSKUDDS PIEZO-TENNENHET. SPESIFIKK GASS SOM SKAL BRUKES: PROPAN (VED 30 mBar).	

APPARATKODE: X88-000020 / MODELL: G9003B	
TOTAL VARMEEFFEKT: (ALLE GASSKATEGORIER)	8,4 kW (611 g/t)
GASSKATEGORI	I3B/P (30)
GASSTYPER	PROPAN-LP-GASSBLANDINGER
GASSTRYKK	30 mBar
INJEKTORSTØRRELSE	HOVED: 0,82 mm
IDENTIFIKASJONSKODE	2575DM28150
ADVARSEL: TILGJENGELIGE DELER KAN VÆRE SVÆRT VARME. HOLD SMÅ BARN UNNA APPARATET. LES BRUKSANVISNINGEN FØR DU BRUKER APPARATET.	
FOR BRUK UTENDØRS OG PÅ STEDER MED GOD VENTILASJON.	
TENNING HOVEDBRENNER: ENKELTSKUDDS PIEZO-TENNENHET. SPESIFIKK GASS SOM SKAL BRUKES: PROPAN (VED 30 mBar).	

MONTERING

KOBLE GASSTANKEN TIL APPARATET

Dette apparatet er kun egnet for propangass under lavt trykk (LPG-blandinger), utstyrt med passende lavtrykkregulator via en fleksibel slange. Slangen skal festet til regulatoren og apparatet med slangeklips. Denne grillen er stilt inn for å bruke en 30 mbar-regulator med LPG-blandinger. Vennligst rådfør deg med din LPG-forhandler for informasjon angående en passende regulator til gasstanken.

REGULATOR OG SLANGE

Disse delene leveres ikke sammen med grillen, men kan kjøpes fra din utstyrsforhandler eller en autorisert LP-gass-leverandør. Bruk kun regulatorer og slange som er godkjent for LP-gass ved de ovennevnte trykkene. Levetiden til regulatoren er anslått til 10 år. Det anbefales at regulatoren byttes innen 10 år fra produksjonsdatoen. Bruk av feil regulator og slange er farlig; kontroller alltid at du har de riktige delene før du bruker grillen. Slitte eller skadde slanger må byttes. Forsikre deg om at slangen ikke er blokkert, har en knekk, eller er i kontakt med noen del av grillen annet enn ved tilkoblingspunktet. Slangen må oppfylle de relevante standardene i landet der den brukes.

OPPBEVARING AV APPARATET

Oppbevaring av et apparat innendørs er kun tillatt hvis sylindere er frakoblet og fjernet fra apparatet. Når apparatet ikke skal brukes over en lengre periode, bør det lagres i originalemballasjen i et tørt og støvfritt miljø.

GASSTANK

Gasstanken må ikke utsettes for støt eller håndteres skjodesløst! Hvis apparatet ikke er i bruk, må sylindere kobles fra. Sett på plass beskyttelseshetten på sylindere etter at sylindere er koblet fra apparatet. Sylindere må lagres utendørs i stående posisjon og utilgjengelig for barn. Sylindere må aldri oppbevares der temperaturen kan stige til over 50°C. Ikke oppbevar sylindere i nærheten av flammer, pilotflammer eller andre antennelseskilder. RØYKING FORBUDD.

Denne grillen er beregnet for utendørs bruk, borte fra antennbare materialer. Det er viktig at det ikke finnes noen hinder over apparatet og at det er en minimum avstand på 1 meter fra apparatets sider eller bakside. Det er viktig at apparatets ventilasjonsåpninger ikke er blokkerte. Grillen må brukes på et flatt og stabilt underlag. Apparatet må beskyttes mot direkte trekk, og skal plasseres eller beskyttes så det ikke kommer i kontakt med rennende vann.

Deler som er forseglede av produsenten eller dennes representant må ikke endres av brukeren. Det må ikke utføres noen endringer på noen del av denne grillen, og reparasjoner og vedlikehold skal kun utføres av en autorisert servicetekniker.

TILKOBLING TIL APPARATET

Før tilkobling til apparatet må du forsikre deg om at det ikke finnes noe skitt/avfall i gassylindere hode, regulatoren, brenneren og brennerportene. Edderkopper og insekter kan etablere seg inne i brenner-/venturirøråpningen og blokkere denne. En blokkert brenner kan føre til brann i apparatets nedre del. Monter slangen til apparatet ved bruk av en fastnøkkel og stram godt til. Hvis slangen skiftes må den festet til apparatet og regulatoren ved hjelp av slangeklips. Koble regulatoren fra sylindere (i henhold til bruksanvisningen som ble levert sammen med regulatoren) når grillen ikke er i bruk. Grillen må brukes på et sted med god ventilasjon. Ikke blokker strømmen av forbrenningsluft til brenneren når grillen er i bruk. DENNE GRILLEN SKAL KUN BRUKES UTENDØRS.

KONTROLLER FOR LEKKASJER FØR BRUK

Bruk aldri åpen ild for å kontrollere for lekkasjer: bruk alltid en såpevannløsning.

LEKKASJEKONTROLL

Lag til ca. 1 dl lekkasjedeteksjonsvæske ved å blande oppvaskmiddel med vann i forholdet 1:3. Forsikre deg om at kontrollventilen er «AV». Koble regulatoren til sylindere og brennerens PÅ/AV-ventil. Forsikre deg om at koblingen er godt festet og skru så gassen PÅ. Påfør såpevann på slangen og alle koblingene. Hvis du ser bobler betyr det at du har en lekkasje. Denne må rettes opp før bruk. Test på nytt etter at feilen er rettet. Skru AV gassen ved sylindere etter testing. Hvis lekkasje oppdages og ikke kan rettes opp: ikke forsøk å reparere lekkasjen og kontakt din gassforhandler!

BRUKSANVISNING

Monter grillen ved å følge instruksjonene nøye. Koble gasslangene til grillen. Koble regulatoren til slangen. Koble regulatoren til sylinderventilen i henhold til regulatorbruksanvisningen som ble levert sammen med regulatoren. Skru alle kontrollknopper til «AV»-posisjonen før du skrur på gasstilførselen til apparatet. Betjen regulatoren i samsvar med instruksjonen som ble levert sammen med regulatoren.

HVORDANTENNE PÅ GRILLEN (HOVEDBRENNER)

INSTRUKSER FOR Å TENNE PÅ GRILLEN

MODELL G2082 / X88-000010

1. Åpne dekslet.
2. Vri på alle betjeningsknappene med klokken til dem står i «OFF»-posisjon.
3. Koble på gasstrykkregulatorene på gassflasken. Vri på regulatorbryteren til «ON» på gassflasken. Kontroller ved hjelp av såpevann at det ikke er gasslekkasje mellom flasken og gasstrykkregulatorene.
4. Trykk og hold på den venstre betjeningsknappen mens du vrir den til venstre, mot klokken, helt til

den står i «Helt på»-posisjon. Samtidig trykker du inn piezo-tenningsmekanismen 4-5 ganger. Dette gjør at brenneren tennes. Kontroller at brenneren er antent. Hvis ikke, gjenta samme prosessen.

5. Hvis brenneren ikke antennes etter et nytt forsøk, vent i fem minutter, og gjenta steg 3.
6. Juster varmen ved å vri på knappen til High/Low-posisjonen.
7. Hvis brenneren ikke antennes, tenn på apparatet med en fyrstikk. Dette gjøres via antenningshullet som befinner seg på siden av apparatet.
8. For å tenne på den høyre brenneren vri på den høyre betjeningsknappen til den står i «Helt på»-posisjon. Denne blir antent via venstre brenner.
9. Fremgangsmåte for å slå av grillen: Steng kranen på gassflasken. Deretter vri betjeningsknappene på apparatet med klokken til «OFF»-posisjon.

MODELL G9003B / X88-000020

1. Åpne dekslet.
2. Vri på alle betjeningsknappene med klokken til dem står i «OFF»-posisjon.
3. Koble på gasstrykkregulatoren på gassflasken. Vri på regulatorbryteren til «ON» på gassflasken. Kontroller ved hjelp av såpevann at det ikke er gasslekkasje mellom flasken og gasstrykkregulatoren.
4. Trykk på den andre kontrollknappen, denne kan kjennes igjen på lyn-symbolet (⚡) og drei den samtidig til «HI». Når du gjør dette bør tenningen gi gnister og tenne hovedbrenneren.
5. Du kan tenne de andre brennerne når hovedbrennerens signal-lys (⚡) viser at den er tent.
6. Hvis tennprosessen ikke fungerte må du skru knappen til «OFF», vente et par minutter og deretter gjenta trinn 4.
7. Juster flammen til ønsket styrke ved å bruke kontrollknappen.
8. For å slukke grillen, skru gassen eller regulatoren av direkte, og drei alle kontroller tilbake til «OFF».

ADVARSEL: Hvis brenneren ikke antennes, slå av betjeningsknappen (med klokken) og steng gassflaskekranen. Vent fem minutter før du prøver å tenne på igjen med tenningssekvensen.

RENGJØRING OG VEDLIKEHOLD

ADVARSEL: All rengjøring og vedlikehold skal utføres når grillen er kald og med gasstilførselen skrudd AV ved gassylindere.

RENGJØRING

«Avbrenning» av grillen etter hver gangs bruk (i ca. 15 minutter) vil holde matrester på grillen på et minimum.

UTVENDIG OVERFLATE

Bruk en løsning av varmt vann og mildt rengjøringsmiddel eller natron. Ikke-skurende pulver kan brukes

på vanskelige flekker, skyll deretter med vann. Hvis den innvendige overflaten av grilllokket ser ut som flassende lakk, er det fastbrent fett som har blitt til karbon og som flasser av. Rengjør grundig med en løsning av sterkt varmt såpevann. Skyll med vann og la det tørke helt. BRUK ALDRI OVNSRENS.

INNVENDIG I GRILLENS NEDRE DEL

Fjern rester ved bruk av en børste, skrape og/eller rengjøringsvamp, vask deretter med en såpevannsløsning. Skyll med vann og la det tørke helt.

GRILLRISTEN

Bruk en mild såpevannsløsning. Ikke-skurende pulver kan brukes på vanskelige flekker, skyll deretter med vann.

RENGJØRING AV BRENNERSAMMENSTILLINGEN

Skru gassen AV ved kontrollknotten og koble fra sylindere. Fjern den avkjølte risten. Rengjør brenneren med en myk børste eller blås den ren med trykkluft og tørk av med en klut. Rengjør eventuelle blokkerte porter med en piperenser eller stiv ståltråd (som f.eks. en åpen binders). Inspiser brenneren og se etter skader (sprekker eller hull). Hvis det oppdages skade, bytt ut med en ny brenner. Sett på plass brenneren, kontroller deretter at gassventilåpningene er korrekt posisjonert og sikret på innsiden av brennerinntaket (venturi).

SERVICE

Gassgrillen din bør få service årlig av en kompetent og registrert fagperson.

MILJØ

Når dette produktet når slutten av sin levetid, avhende den til et mottak for resirkulering av elektrisk og elektronisk utstyr. Vennligst referer til symbolene på produktet, bruksanvisningen eller emballasje. Kontakt med lokale myndigheter for adressen til et returpunkt i nabolaget ditt.

S BARBECUE

OBS:

- Les de følgende instruksjonerna noga och se till att din grill är korrekt installerad, monterad och underhållen. Om du inte följer instruksjonerna kan det orsaka allvarliga personskador och/eller egendomsskador. SPARA FÖR FRAMTIDA BRUK.
- Om du har några frågor om hur du monterar eller använder den här produkten, kontaktar du din återförsäljare eller gasolleverantör.
- Se till att apparaten och GASBEHÅLLAREN står på ett plant underlag om den används på marken.

- Tänd aldrig apparaten om HUVEN är stängd.
- Tänd eller använd inte sidobrännaren om locket är stängt.
- Din grill kan användas med en gasbehållare på 6 till 11 kg.
- När du tänder grillen måste följande säkerhetsavstånd observeras:
- Apparatsens sidor och baksida: 1 meter till alla hinder.
- Ovanför apparaten: INGA HINDER FÅR FÖREKOMMA OVANFÖR APPARATEN.
- ENDAST AVSEDD FÖR UTMOMHUSBRUK.
- **VARNING:** ÅTKOMLIGA DELAR KAN BLI VÄLDIGT VARMA. HÅLL SMÅ BARN BORTA FRÅN GRILLEN.
- FLYTTA INTE APPARATEN MEDAN MAT TILLAGAS.

OM DU KÄNNER LUKTEN AV GAS

- Stänger du av gasinloppet på grillen
- Släcker alla öppna lågor
- Öppnar locket
- Om lukten kvarstår håller du avstånd från apparaten och kontaktar omedelbart din gasleverantör eller brandkåren.
- Förvara inte gasolbehållare inom 4 meter av apparaten.
- Förvara eller använd inte bensin eller andra vätskor som avger brandfarliga ångor inom 8 m av denna eller någon liknande apparat.
- Gasbehållare (som inte är anslutna och används) får inte förvaras i närheten av denna eller någon liknande apparat.

VARNINGAR:

1. Denna grill är endast avsedd för utomhusbruk och får inte användas inomhus, i garage eller i andra slutna utrymmen.
2. Denna grill är INTE avsedd för kommersiellt bruk.
3. Grillen får endast användas med GASOL. Att använda naturgas eller modifiera produkten så att den använder naturgas utgör en fara.
4. Gasolens egenskaper:
 - a. Gasol är brandfarligt och är farligt om det hanteras på fel sätt. Läs specifikationerna noga innan du använder gasolprodukter.
 - b. Gasol är explosivt när det är trycksatt och är tyngre än luft och samlas i låga utrymmen.
 - c. Gasol är luktfritt i sitt naturliga tillstånd. Av säkerhetsskäl har ett lukttämne tillsats för att lukta som rutten kål.
 - d. Kontakt med gasol kan orsaka förfrysningsskador på huden.

5. Gasbehållaren måste ha en ventil
6. Gasbehållaren måste ha en krage för att skydda ventilen.
7. Använd aldrig gasolbehållare om behållaren, ventilen, kragen eller basen är skadade.
8. Buckliga eller rostiga gasolbehållare kan vara farliga och måste kontrolleras av din gasolleverantör innan de används.
9. Gasolbehållaren får inte tappas eller hanteras ovarsamt.
10. Gasoltanken måste förvaras utomhus, utom räckhåll för barn och får inte förvaras inomhus, i ett garage eller i slutna utrymmen. Gasoltanken får inte förvaras i utrymmen där temperaturen kan överstiga 50°C.
11. Förvara aldrig en påfylld gasoltank i en varm bil eller i bagageluckan. Värme gör att gstrycket ökar, vilket kan orsaka att övertrycksventilen öppnas och gas tränger ut.
12. Försök inte ansluta grillen till ett slutet gasolsystem såsom i en husvagn, husbil eller hus.
13. Att förtära alkohol, receptbelagda läkemedel eller receptfria läkemedel kan försämra användaren förmåga att korrekt montera och säkert använda denna apparat.
14. Använd aldrig kol, tändvätska, lavasten, bensin, paraffin eller alkohol tillsammans med den här produkten.
15. Kontrollera att apparaten inte läcker om den har monterats av en annan person.
16. Använd inte produkten om den läcker gas. Gasläckor kan orsaka bränder eller explosioner.
17. Du måste följa alla stegen för att kontrollera att apparaten inte läcker innan du använder den. För att förebygga risken för brand och explosion gör du följande när du utför läcktestet:
 - a. Kontrollera alltid för läckage innan du tänder grillen och varje gång tanken ansluts och ska användas.
 - b. Rök inte. Håll apparaten borta från alla antändningskällor när du utför läcktestet.
 - c. Utför läcktestet utomhus och i ett välventilerat utrymme.
 - d. Använd inte tändstickor, tändare eller öppen låga för att kontrollera om apparaten läcker.
 - e. Använd inte grillen förrän alla läckor har åtgärdats. Om du inte kan åtgärda en läcka kopplar du bort gasolen.
18. Förvara och använd inte bensin eller andra brandfarliga vätskor och ångor inom 8 m av denna apparat.
19. Får inte användas i explosiva atmosfärer. Håll området kring grillen rent och fritt från alla antändliga material.
20. Håll alltid alla antändliga material och underlag minst 1 m bort från grillen. Använd inte grillen eller någon gasprodukt under eller i närheten av några oskyddade antändliga strukturer.
21. Det är viktigt att grillutrymmet, brännarna och cirkulationsluftventilerna är rena. Kontrollera grillen varje gång den ska användas.
22. Grillen får inte modifieras på något sätt.
23. Använd inte grillen om den inte är HELT monterad och alla delar sitter säkert och är åtdragna.
24. Grillen måste rengöras noga och kontrolleras regelbundet. Rengör och kontrollera alltid slangen innan du använder apparaten. Om det finns tecken på nötning, slitage, revor eller läckor måste slangen bytas ut innan apparaten används.
25. Använd endast delar som godkänts av tillverkaren. Delar som inte är godkänts av tillverkaren kan vara farliga.
26. Använd inte apparaten utan att första ha läst avsnittet "Bruksanvisning" i denna användarhandbok.
27. För att undvika brännskador får inga av grillens metalleder vidröras innan de har svalnat helt (cirka 45 minuter).
28. Medan grillen används måste brandsläckningsutrustning finnas nära till hands. I händelse av en fettbrand får du inte försöka släcka den med vatten. Använd ABC-torrsläckmedel eller kvävelden med jord, sand eller bakpulver.
29. Får inte installeras eller användas på båtar eller i fritidsfordon.
30. Använd inte grillen i kraftig vind.
31. Luta dig inte över grillen när du tänder den.
32. Lämna inte grillen utan uppsikt. **WARNING!** Håll barn och husdjur borta från grillen.
33. Försök inte flytta grillen medan den används. Låt grillen svalna helt innan du flyttar eller stoppar undan den.
34. Grillen får ENDAST förvaras inomhus om tanken är bortkopplad, avlägsnad från grillen och förvaras korrekt utomhus.
35. Öppna alltid locket på grillen försiktigt och långsamt eftersom ångan och värmen som samlats under den kan orsaka allvarliga brännskador.
36. Försök inte koppla bort gasreglaget från tanken eller någon gaskoppling medan grillen används.
37. Placera alltid grillen på ett hårt och jämnt underlag. Underlaget måste kunna motstå en temperaturökning på upp till 50°C.
38. Var särskilt försiktig på trägol.
39. Håll gasslangarna så långt bort som möjligt från heta underlag och droppande varmt fett.
40. Håll alla strömkablar borta från den varma grillen.
41. Använd inte grillen inomhus för matlagning eller uppvärmning. Giftiga ångor riskerar att samlas och utgöra en kvävningsrisk.
42. Om grillen har legat i förvaring eller inte har använts under längre tid, kontrollera att den inte läcker, att brännarna inte är tilltäppta och att slangen inte visar tecken på nötning, slitage eller revor.
43. Om du inte öppnar locket när du tänder grillens brännare eller om du inte väntar 5 minuter på att gasen skingrats om grillen inte kan tändas kan det orsaka en explosiv antändning.
44. Om grillen inte används måste gasen stängas vid gasbehållaren och med gasreglaget.
45. Använd inte grillen utan att värmeplattorna har installerats.
46. Förvara inte en extra gasolbehållare under eller nära apparaten.
47. Slangarna måste bytas ut vid behov när deras tillstånd försämras naturligt. Använd den angivna typen och längden.
48. Placera behållaren bredvid grillen så att slangen inte vrids eller riskerar att vridas.
49. Se till att du inte befinner dig i närheten av någon antändningskälla när du byter gasolbehållaren.
50. Att modifiera apparaten kan vara farligt.
51. Död, allvarliga personskador eller allvarliga egendomsskador kan uppstå om du inte noga följer de ovanstående instruktionerna och varningarna.

PRODUKTSPECIFIKATIONER

APPARATKOD: X88-000010 / MODELL: G2082	
TOTAL VÄRMEEFFEKT: (ALLA GASKATEGORIER)	5,5 kW (400 g/h)
GASKATEGORI	I3B/P (30)
GASTYP	GASOLBLANDNING
GASTRYCK	30 mBar
INJEKTORSTORLEK	HUVUDINJEKTOR: 0,84 mm
BETECKNING	2575DM28150
WARNING: ÅTKOMLIGA DELAR. KAN BLI VÄLDIGT VARMA. HÅLL BORTA SMÅ BARN. LÄS INSTRUKTIONERNA NOGA INNAN DU ANVÄNDER APPARATEN.	
AVSEDD ATT ANVÄNDAS UTMOMHUS OCH I VÄLVENTILERADE UTRYMMEN.	
TÄNDNING HUVUDBRÄNNARE: ENKEL PIEZOELEKTRISK TÄNDMEKANISM. SPECIFIK GAS ATT ANVÄNDA: PROPAN (VID 30 mBar).	

APPARATKOD: X88-000020 / MODELL: G9003B	
TOTAL VÄRMEEFFEKT: (ALLA GASKATEGORIER)	8,4 kW (611 g/h)
GASKATEGORI	I3B/P (30)
GASTYP	GASOLBLANDNING
GASTRYCK	30 mBar
INJEKTORSTORLEK	HUVUDINJEKTOR: 0,82 mm
BETECKNING	2575DM28150
VARNING: ÅTKOMLIGA DELAR KAN BLI VÄLDIGT VARMA. HÅLL BORTA SMÅ BARN. LÄS INSTRUKTIONERNA NOGA INNAN DU ANVÄNDER APPARATEN.	
AVSEDD ATT ANVÄNDAS UTMOMHUS OCH I VÄLVENTILERADE UTRYMMEN.	
TÄNDNING HUVUDBRÄNNARE: ENKEL PIEZOELEKTRISK TÄNDMEKANISM. SPECIFIK GAS ATT ANVÄNDA: PROPAN (VID 30 mBar).	

MONTERING

ANSLUTA GASBEHÅLLAREN TILL APPARATEN

Apparaten är endast avsedd att användas med lågtrycksgasol (LPG-blandning) med ett lämplig lågtrycksreglage via en flexibel slang. Slangen fästs i reglaget och apparaten med slangklämmor. Grillen är konstruerad för att användas med ett 30 mbar-reglage med gasol. Hör med din gasolåterförsäljare om vilket reglage som bör användas med gasbehållaren.

REGLAGE OCH SLANG

Dessa artiklar ingår inte med grillen, utan kan köpas från samma återförsäljare som du köpte grillen ifrån eller en behörig gasolförsäljare. Använd endast reglage och slangar som är godkända för gasol vid ovanstående tryck. Reglagets beräknade livslängd är 10 år. Vi rekommenderar att reglaget byts ut inom 10 år från tillverkningsdatumet. Att använda fel reglage eller slang kan vara farligt. Kontrollera alltid att du använder rätt delar innan du använder grillen. Om slangen är skadad eller sliten måste den bytas ut. Se till att slangen inte är blockerad, vikt eller är i kontakt med någon del av grillen annat än där slangen ansluts till grillen. Slangen måste uppfylla alla tillämpliga krav i landet där den används.

FÖRVARA APPARATEN

Apparaten får endast förvaras inomhus om gasbehållaren är bortkopplad och avlägsnad från apparaten. Om apparaten inte används under längre tid bör den förvaras i sin originalförpackning i ett torrt och damfritt utrymme.

GASBEHÅLLARE

Gasolbehållaren får inte tappas eller hanteras ovarsamt! Om apparaten inte används måste gasbehållaren kopplas bort. Sätt skyddslocket på gasbehållaren efter att den har kopplats bort från apparaten. Gasbehållare måste förvaras upprätt utomhus och utom räckhåll för barn. Gasbehållaren får aldrig förvaras på platser där temperaturen kan överstiga 50°C. Förvara inte gasbehållaren nära eld, tändlågor eller andra antändningskällor. RÖK INTE. Grillen är avsedd att användas utomhus utom räckhåll för antändliga material. Det är viktigt att det inte finns några hinder ovanför grillen, och att det finns ett fritt område på 1 meter från sidorna och baksidan på apparaten. Det är viktigt

att ventilationsöppningarna på apparaten inte blockeras. Grillen måste användas på ett jämnt och stadigt underlag. Apparaten måste skyddas från direkt bläst och måste placeras och skyddas mot direktkontakt med strilande vatten.

Alla delar som är förseglade av tillverkaren eller dennes representanter får inte modifieras av användaren. Inga modifikationer får utföras på någon del av grillen, och alla reparationer och allt underhåll måste utföras av en behörig servicetekniker.

ANSLUTA APPARATEN

Innan apparaten ansluts måste du kontrollera att inget skräp har fastnat i huvudet på gasbehållaren, reglaget, brännaren eller brännarroppningarna. Spindlar och insekter kan bygga bon i och täppa till brännaren eller venturiröret vid öppningen. Tilltäppta brännare kan orsaka bränder i nederdelen av apparaten. Anslut slangen till apparaten med en nyckel och dra åt den på den gängade kontakten. Om slangen byts ut måste den fästas i apparaten och reglaget med slangklämmor. Koppla bort reglaget från cylindern (enligt instruktionerna som kommer med reglaget) om grillen inte används. Grillen måste användas i ett välventilerat utrymme. Blockera inte förbränningsluften till brännaren medan grillen används. GRILLEN FÅR ENDAST ANVÄNDAS UTMOMHUS.

KONTROLLERA ATT GRILLEN INTE LÄCKER INNAN DEN ANVÄNDS

Kontrollera inte om grillen läcker med en öppen låga. Använd alltid vatten och diskmedel.

KONTROLLERA FÖR LÄCKOR

Blanda 1,5 till 2,5 dl med läcktestlösning genom att blanda en del diskmedel med tre delar vatten. Se till att reglerventilen är stängd. Anslut reglaget till cylindern och brännarventilen, och se till att anslutningarna sitter säkert innan du sätter på gasen. Lägg diskmedelslösningen på slangen och alla fogar. Om bubblor uppstår innebär det att det finns en läcka som måste åtgärdas innan produkten används. Testa igen efter att du har åtgärdat felet. Stäng av gasen från gasbehållaren efter testet. Om du upptäcker en läcka och inte kan åtgärda den får du inte försöka laga läckan utan kontaktar din gasåterförsäljare!

BRUKSANVISNING

Montera grillen genom att noga följa dessa instruktioner. Anslut gasslangen till grillen. Anslut reglaget till slangen. Anslut reglaget till gasbehållarens ventil enligt instruktionerna som kommer med reglaget. Sätt alla vred i läget "OFF" innan du sätter på gasen till apparaten. Använd reglaget enligt instruktionerna som kommer med reglaget.

TÄNDA DIN GRILL (HUVUDBRÄNNAREN)

ANTÄNDNINGSinSTRUKTIONER

MODELL G2082 / X88-000010

- Öppna locket.
- Vrid alla reglage medsols till "OFF" -läge.
- Anslut gastrycksregulatorn till gasflaskan. Slå på gasförsörjningen "ON" på gasflaskan. Kontrollera genom att använda såpvatten om det finns gasläckor mellan flaskan och gastrycksregulatorn.
- Tryck på vänster kontrollknapp och vrid den moturs till läget "Fullt på" medan du trycker på piezotändningsknappen 4 eller 5 gånger. Detta tänds brännaren. Kontrollera om brännaren är tänd. Om inte, upprepa denna process.
- Om brännaren inte brinner efter försöket, vänta 5 minuter och upprepa steg 3.
- Justera lågan genom att vrida ratten till High / Low -läge.
- Om brännaren inte startar. Tänd brännaren med en tändsticka via antändningshållet på enhetens sida.
- För att tända den högra brännaren, vrid den högra reglerknappen till fullt läge, denna tänds via vänster brännare. Tänd alltid apparaten från vänster till höger brännare.
- För att stänga AV grillen: Stäng gasflaskventilen och vrid sedan reglagen på enheten medurs till "OFF" -läget.

MODELL G9003B / X88-000020

- Öppna locket.
- Vrid alla reglage medsols till "OFF" -läge.
- Anslut gastrycksregulatorn till gasflaskan. Slå på gasförsörjningen "ON" på gasflaskan. Kontrollera genom att använda såpvatten om det finns gasläckor mellan flaskan och gastrycksregulatorn.
- Tryck på den andra kontrollknappen, som du känner igen på blix-symbolen (⚡), och vrid den samtidigt mot "HI". När du gör det så tänds tändningen och huvudbrännaren börjar brinna.
- Du kan tända de andra brännarna efter att symbolen (⚡) på huvudbrännaren indikerar att den tänts.
- Om tändandet inte fungerar, vrid knappen mot "OFF", vänta någon minut och repetera steg 4.
- Anpassa flamman genom kontrollknappen.
- Slå av gasen eller reglaget för att stänga av grillen och vrid alla knappar mot "OFF".

VARNING: om brännaren inte tänds, stäng av reglaget (medurs) och stäng även av gasflaskventilen. Vänta fem minuter innan du försöker tända igen genom att upprepa antändningsproceduren.

RENGÖRING OCH SKÖTSEL

OBS: Du får endast rengöra och utföra underhåll på grillen medan den är sval och gasen är avstängd vid gasbehållaren.

RENGÖRING

Att bränna av grillen varje gång den används (cirka 15 minuter) håller mängden matrester till ett minimum.

UTSIDA

Använd ett milt rengöringsmedel eller bakpulver blandat med varmt vatten. Icke-nötande skurpulver kan användas på envisa fläckar och sedan sköljas bort med vatten. Om insidan av grillens lock ser ut som flagnande färg har inbrända fettavlagringar förkolnat och börjat flagna. Rengör noga med en stark blandning av diskmedel och varmt vatten. Skölj med vatten och låt torka helt. ANVÄND ALDRIG UGNSRENGÖRINGSMEDEL.

INSIDAN AV GRILLENS BAS

Avlägsna rester med borste skrapa och/eller skursvamp, och tvätta sedan med en blandning av diskmedel och vatten. Skölj med vatten och låt torka.

GALLER

Använd en mild blandning av diskmedel och vatten. Icke-nötande skurpulver kan användas på envisa fläckar och sedan sköljas bort med vatten.

RENGÖRA BRÄNNAREN

Stäng av gasen med vredet och koppla bort gasbehållaren. Ta bort det svalnade gallret. Rengör brännaren med en mjuk borste eller blås rent den med tryckluft, och torka av med en trasa. Rengör alla tilltäppta öppningar med piprensare eller en styv tråd (som ett uppviktt gem). Kontrollera att brännaren inte är skadad (sprickor eller hål). Om den är skadad måste brännaren ersättas. Sätt tillbaka brännaren och kontrollera att alla gasventilsöppningar är korrekt positionerade och säkrade inuti brännarens inlopp (venturi).

SERVICE

Din gasgrill bör årligen genomgå service utförd av en behörig yrkesperson.

MILJÖN

När produkten når slutet av sin livslängd lämna den till ett samlingsställe för återvinning av elektrisk och elektronisk utrustning. Se symboler på produkten, användnings instruktioner eller förpackningen. Kontakta din kommun för adressen till lämplig samlingsplats i ditt grannskap.

H

KERTI-GRILL

FONTOS

- Gondosan olvassa el a következő utasításokat, és győződjön meg róla, hogy grillsütőjének telepítése, összeállítása és gondozása megfelelő. Ha nem tartják be ezeket az utasításokat, a következmény súlyos személyi sérülés és/vagy anyagi kár lehet. **ŐRIZZE MEG KÉSŐBBI HIVATKOZÁSHOZ.**
- Amennyiben bármilyen kérdése vagy a termék összeállításával vagy működésével kapcsolatban, forduljon értékesítőjéhez vagy cseppfolyós gáz (LPG) szállítójához.

- Amikor a talajon használja, győződjön meg róla, hogy a készülék és a gáztartály lapos felületen áll.
- Begyújtáskor a KÉSZÜLÉK FEDELE mindig legyen nyitott helyzetben.
- Az oldalégbegyújtásakor vagy használatakor a fedő mindig legyen nyitott helyzetben.
- Grillsütője 6-11 kg-os gáztartállyal használható.
- Tüzeléskor a grillsütőtől a következő szabad távolságokat szigorúan be kell tartani:
 - A készülék oldalán és hátul: 1 méter távolság minden akadálytól.
 - A készülék felett: **FELSŐ AKADÁLY NEM MEGENGEDETT**
 - **CSAK KÜLTÉRI HASZNÁLATRA.**
 - **FIGYELEM: A HOZZÁFÉRHETŐ RÉSZEK NAGYON FORRÓK LEHETNEK. A KISGYERMEKEKET TARTSA TÁVOL.**
 - **SÜTÉS KÖZBEN NE MOZGASSA A KÉSZÜLÉKET.**

HA GÁZSZAGOT ÉREZ

- Zárja el a grillsütő gázbevezetését
- Minden nyílt lángot oltson el
- Nyissa ki a fedőt
- Ha a szag továbbra is érezhető, ne menjen a készülék közelébe, és haladéktalanul hívja gázszállítóját vagy a tűzoltóságot.
- Ne tároljon propántartalmú LPG gázpalackot a készülék 4 m-es körzetében.
- Tilos benzint, más gyúlékony folyadékot vagy gőzöket tartani a készülék (vagy más hasonló berendezés) 8 m-es környezetében.
- Gáztartályok (ha nincsenek összekapcsolva használatra) soha nem tárolhatók ennek vagy bármely másik hasonló készüléknek a közelében.

FIGYELMEZTETÉSEK

1. Ez a grillsütő csak kültérben használható, nem szabad épületben, garázsban vagy bármilyen egyéb zárt térben használni.
2. Ez a készülék NEM kereskedelmi használatra készült.
3. Ezt a grillsütőt csak propántartalmú LPG GÁZKEVERÉKKEL szabad használni. Földgáz használata, illetve a termék földgázhasználatra való átalakítása veszélyes.
4. Az LPG gáz tulajdonságai:
 - a. Az LPG gáz, ha nem megfelelően kezelik, gyúlékony és veszélyes LPG gázt használó termékek működtetésekor alaposan tanulmányozza a specifikációkat.
 - b. A cseppfolyósított gáz nyomás alatt robbanékony, a levegőnél nehezebb, alacsony területeken gyűlik össze.

- c. Természetes állapotában a cseppfolyósított gáz szagtalan. Biztonsági célból szaganyagot adnak hozzá, ettől rohadt káposzta szagú lesz.
 - d. LPG-vel való érintkezés a bőrön fagyási sérüléseket okozhat.
5. A gáztartályra tartályszelepet kell szerelni.
 6. A gáztartályra szerelt tartályszelepet peremmel kell védeni.
 7. Soha ne használjon propántartalmú cseppfolyósított gáztartályt sérült karosszériával, szeleppel, peremmel vagy talppal.
 8. Horpadt vagy rozsdás cseppfolyósított gáztartály veszélyes lehet, használat előtt ellenőrizze a helyi LPG gáz szállítója.
 9. A cseppfolyósított gáz tartályát nem szabad leejteni vagy keményen kezelni.
 10. Cseppfolyósított gáz tartályát kültéren kell tárolni, gyermekek ne férjenek hozzá, nem szabad épületben, garázsban vagy bármilyen más zárt térben tárolni. A cseppfolyósított gáz tartályát nem szabad olyan helyen tárolni, ahol a hőmérséklet meghaladhatja az 50°C-ot.
 11. Soha ne tartson megtöltött cseppfolyósított gáz tartályt meleg autóban vagy csomagtartóban. Hő hatására a gáz nyomása megnő, ez megnyithatja a biztonsági szelepet, és a gáz kiszökhet.
 12. Ezt a grillsütőt soha ne kösse össze lakókocsi, lakóautó vagy lakóház önálló cseppfolyósított gáz rendszerével.
 13. Alkohol, orvos által felírt vagy recept nélkül kapható gyógyszerek leronthatják az ügyfélnek a készülék megfelelő összeállítására vagy biztonságos kezelésére való képességét.
 14. Ezzel a termékkel soha ne használjon faszenet, gyújtófolyadékot, lávakövet, benzint, paraffint vagy alkoholt.
 15. Ellenőrizze a tömítetlenséget akkor is, ha valaki más állította össze a készüléket.
 16. Ne működtesse a terméket, ha gázszivárgást észlel. Gázszivárgások tüzet vagy robbanást okozhatnak.
 17. Működtetés előtt el kell végezni a tömítetlenség-ellenőrzési eljárásokat. Tömítetlenség ellenőrzésekor igyelezkedjen meg a tűz- vagy robbanásveszély:
 - a. A grill begyújtása és a tartály használat céljára való csatlakoztatása előtt mindig végezzen tömítetlenségi tesztet.
 - b. Tilos a dohányzás. Tömítetlenségi teszt végzésekor tartsa távol a gyújtóforrásokat.
 - c. A tömítetlenségi tesztet kültéren, jó szellőzésű területen végezze.
 - d. Tömítetlenség ellenőrzéséhez ne használjon gyufát, öngyújtót vagy lángot.

- e. A grillsütőt csak az összes tömítetlenség megszüntetése után szabad használni. Amennyiben nem tudja megjavítani a tömítetlenséget, válassza le a cseppfolyós gázellátást.
18. Tilos benzint, más gyúlékony folyadékot vagy gőzöket tárolni a berendezés 8 m-es környezetében.
 19. Tilos robbanásveszélyes atmoszférában használni. Tartsa távol és távolítsa el a grillsütő területétől a robbanékony anyagokat.
 20. Valamennyi robbanékony tárgy és felület legyen legalább 1 m távolságra a grillsütőtől. Tilos ezt a grillsütőt vagy bármilyen gáz terméket védelem nélküli éghető szerkezet alatt, felett vagy mellett használni.
 21. Alapvető fontosságú, hogy a grillsütő szelepkamráját, égőit és a keringő levegő nyílásait tartsa tisztán. Minden egyes használat előtt ellenőrizze a grillsütőt.
 22. Semmilyen módon ne módosítsa a grillsütőt.
 23. Tilos a grillsütőt használni, ha nincs TELJESEN összeállítva, mindegyik alkatrésze biztonságosan rögzítve és megszorítva.
 24. Ezt a grillsütőt rendszeresen, alaposan tisztítani és ellenőrizni kell. A berendezés használata előtt mindig tisztítsa meg és ellenőrizze a tömlőt. Amennyiben kopást, elhasználódást, vágásokat vagy tömítetlenségeket észlel, a berendezés működésének elindítása előtt a tömlőt ki kell cserélni.
 25. Csak gyárilag jóváhagyott alkatrészeket használjon. Gyárilag nem jóváhagyott alkatrész használata veszélyes lehet.
 26. Ne használja ezt a berendezést, amíg nem olvasta el a jelen kézikönyv 'Használati utasítás' részét.
 27. Égési sérülések elkerülése érdekében csak akkor érintse meg a grillsütőt fém részeit, amikor az teljesen lehűlt (kb. 45 perc).
 28. Sütés közben legyen könnyen elérhető közelségben tűzoltókészülék. Abban az esetben, ha a zsír meggyullad, ne próbálja meg vízzel eloltani. ABC típusú száraz vegyszert tartalmazó készüléket használjon, illetve a lángokat porral, homokkal vagy szódabikarbónával fojtsa el.
 29. Ne szerelje fel vagy használja hajókon vagy szabadidős járművön.
 30. Ne használja a grillsütőt erős szélben.
 31. Soha ne hajoljon a grillsütő fölé, amikor
 32. Begyűjtött grillsütőt soha ne hagyjon felügyelet nélkül. **FIGYELMEZTETÉS!** A gyermekeket és a kedvenc állatokat mindig tartsa távol a grillsütőtől.
 33. Használat közben ne próbálja mozgatni a grillsütőt. Elmozdítás vagy tárolás előtt hagyja lehűlni a grillsütőt.
 34. A grillsütőt CSAK akkor lehet beltérben tárolni, ha elválasztották a gáztartálytól, azt eltávolították a grillsütőtől, és kültéren megfelelően tárolták.
 35. Mindig óvatosan és lassan nyissa fel a grillsütő fedőjét, mivel az alatta összegyűlt forró gőz súlyos égési sérüléseket okozhat.
 36. A grillsütő használata közben ne kísérelje meg leválasztani a gázszabályozót a tartályról, illetve valamelyik gázszervelényt.
 37. A grillsütőt mindig kemény és vízszintes felületen helyezze el. A felületnek alkalmasnak kell lenni elviselni 50°C-os hőmérséklet-emelkedést.
 38. Fa asztalokon mindig rendkívüli elővigyázatossággal használja!
 39. A gáztömlőket vigye a lehető legmesszebb forró felületektől és lecsöpönő forró zsírtól.
 40. Tartsa távol az elektromos vezetékeket a forró grillsütőtől.
 41. Tilos a grillsütőt beltéri sütésre vagy melegítésre használni. Mérgező gázok gyűlhetnek fel, amelyek fulladást okozhatnak.
 42. Tárolás és / vagy használaton kívüli időszakok után ellenőrizzen tömítetlenség, az égő eltömődései szempontjából, és vizsgálja meg a tömlő kopását, elhasználódását vagy vágásait.
 43. Ha a grillsütő égőinek begyűjtésakor nem nyitják fel a fedelet, illetve ha a grillsütő sikertelen begyűjtése után nem várnak 5 percet, hogy a gáz eltávozzon, robbanás szerű fellángolás következhet be.
 44. Ha a grillsütőt nem használják, el kell zárni a gázt a táptartálynál és a regulátornál.
 45. A grillsütőt mindig felszerelt hőlemezekkel használja.
 46. A készülék alatt vagy annak közelében ne tároljon tartalék gázpalackot.
 47. Amikor a természetes körülmények szükségessé teszik, a csőrendszert cserélni kell. A megadott típust és hosszúságot használja.
 48. A tartályt a grillsütő mellett helyezze el, a tömlő ne legyen csavarodott, és ne csavarodjon el.
 49. Győződjön meg róla, hogy amikor cseréli a propántartalmú LPG gáz tartályát, a közelben nincs gyújtóforrás.

50. A készülék bármilyen módosítása veszélyes lehet.

51. Amennyiben nem követi szigorúan a fenti utasításokat és figyelmeztetéseket, a következmény halál, súlyos sérülés vagy anyagi kár lehet.

TERMÉK SPECIFIKÁCIÓK

KÉSZÜLÉK KÓDJÁ: X88-000010 / MODELL: G2082	
ÖSSZES HŐBENNET (VALAMENNYI GÁZKATEGÓRIA)	5,5 kW (400 g/h)
GÁZKATEGÓRIA	I3B/P (30)
GÁZTÍPUS	PROPÁNTARTALMÚ CSEPPFOLYÓSÍTOTT GÁZKEVERÉKEK
GÁZNYOMÁS	30 mBar
BEFECSKENDEZŐ MÉRETE	FŐ: 0,84 mm
AZONOSÍTÁSI KÓD	2575DM28150
FIGYELEM: A HOZZÁFÉRHETŐ RÉSZEK NAGYON FORRÓK LEHETNEK. A KISGYERMEKEKET TARTSA TÁVOL. KÉSZÜLÉK HASZNÁLATA ELŐTT OLVASSA EL A KÖVETKEZŐ UTASÍTÁSOKAT.	
KÜLTÉRI HASZNÁLATHATÓ, JÓL SZELLŐZÖTT TERÜLETEN	
BEGYŰJTÉS FŐ ÉGŐ: EGYSZERES PIEZO BEGYŰJTŐ EGYSÉG. HASZNÁLANDÓ GÁZ: PROPÁN (30 mBar NYOMÁSON).	
KÉSZÜLÉK KÓDJÁ: X88-000020 / MODELL: G9003B	
ÖSSZES HŐBENNET (VALAMENNYI GÁZKATEGÓRIA)	8,4 kW (611 g/h)
GÁZKATEGÓRIA	I3B/P (30)
GÁZTÍPUS	PROPÁNTARTALMÚ CSEPPFOLYÓSÍTOTT GÁZKEVERÉKEK
GÁZNYOMÁS	30 mBar
BEFECSKENDEZŐ MÉRETE	FŐ: 0,82 mm
AZONOSÍTÁSI KÓD	2575DM28150
FIGYELEM: A HOZZÁFÉRHETŐ RÉSZEK NAGYON FORRÓK LEHETNEK. A KISGYERMEKEKET TARTSA TÁVOL. KÉSZÜLÉK HASZNÁLATA ELŐTT OLVASSA EL A KÖVETKEZŐ UTASÍTÁSOKAT.	
KÜLTÉRI HASZNÁLATHATÓ, JÓL SZELLŐZÖTT TERÜLETEN	
BEGYŰJTÉS FŐ ÉGŐ: EGYSZERES PIEZO BEGYŰJTŐ EGYSÉG. HASZNÁLANDÓ GÁZ: PROPÁN (30 mBar NYOMÁSON).	

BERENDEZÉS

GÁZPALACK CSATLAKOZTATÁSA A KÉSZÜLÉKHEZ

Ez a készülék csak alacsony nyomású propán gázzal (LPG gázkeverékekkel) való használatra alkalmas, a megfelelő, hajlékony tömlővel csatlakozó alacsony nyomású regulátorral szerelt. A tömlőt csőszorítókkal kell a regulátorhoz és a készülékhez rögzíteni. Ezt a grillsütőt úgy állították be, hogy 30 mbar nyomású regulátorral, LPG keverékekkel működjön. A gázpalackhoz alkalmas regulátorral kapcsolatban kérjen tanácsot a helyi LPG értékesítőtől.

REGULÁTOR ÉS TÖMLŐ

Ezeket az alkatrészeket nem mellékeljük a grillsütőhöz, ezek megvásárolhatók a berendezés vásárlásának helyén, illetve jogosult LPG szállítótól. Csak a fenti nyomású LPG-re engedélyezett regulátort és tömlőt használjon. A regulátor várható becsült élettartama 10 év. Javasoljuk, hogy a gyártási időtől számított 10 éven belül cserélje ki a regulátort. A nem megfelelő regulátor vagy tömlő használata veszélyes; a grillsütő működtetése előtt mindig ellenőrizze, hogy a megfelelő alkatrészeket használja. Használt vagy sérült tömlőt ki kell cserélni. Gondoskodjon róla, hogy a tömlő nem tömődött el, nem tört meg, illetve a csatlakozási helyen kívül nem érintkezik a grillsütő más részeivel. A tömlő feleljen meg a használati hely országa vonatkozó szabványának.

A KÉSZÜLÉK TÁROLÁSA

Készülék beltéri tárolása csak akkor engedélyezett, ha leválasztják a gázpalackot és eltávolítják a készüléktől. Ha a készüléket hosszú ideig nem használják, az eredeti csomagolásban kell tárolni, száraz és pormentes környezetben.

GÁZTARTÁLY

A gáztartályt nem szabad leejteni vagy keményen kezelni! Ha a készüléket nem használják, a palackot szét kell kapcsolni. Miután elválasztotta a gázpalackot és a készüléket, tegye vissza a palackra a védősapkát. A palackokat kültéren kell tárolni álló helyzetben, gyermekektől elzárva. A palackot olyan helyen kell tárolni, ahol a hőmérséklet soha nem érheti el az 50 °C-ot. Tilos a palackot lángok, gyújtólángok vagy más gyújtóforrás közelében tárolni. DOHÁNYOZNI TILOS

Ezt a grillsütőt kültéri, gyúlékony anyagoktól távoli használatra tervezték. Fontos, hogy a készülék felett ne legyen akadály, és a készülék mellett és mögötte legalább 1 méteres távolság legyen. Fontos, hogy a készülék szellőző nyílásai ne legyenek gátolva. A grillsütőt vízszintes, stabilis felületen kell használni. A készüléket védeni kell közvetlen huzattól, és úgy kell elhelyezni, hogy ne érintkezzen vízfolyással, illetve védeni kell a vízzel való közvetlen érintkezéstől.

A gyártó vagy megbízottja által lezárt alkatrészeket a felhasználó nem módosíthatja. A grillsütő semelyik alkatrésze nem módosítható, valamint a javításokat és karbantartást csak jogosult szervizmérnök végezheti el.

A KÉSZÜLÉK CSATLAKOZTATÁSA

A készülék csatlakoztatása előtt győződjön meg róla, hogy a gázpalack fejrészét, a regulátort, az égőt és annak nyílásait nem tömíti el törmelék. Pókok és rovarok rejtőzhetnek belül, és a nyílásnál eltömítik az égőt/Venturi-csővet. Eltömődött égő tüzet okozhat a készülék alsó részében. A tömlőt csavarkulccsal szorítsa rá a csatlakozó menetre. Amikor a tömlőt cserélik, csőszorítókkal rögzíteni kell a készülék és a regulátor csatlakozásaihoz. Amikor a grillsütő nincs használatban, válassza le a regulátort a palackról (a regulátorhoz mellékelt útmutatás szerint). Mindig jól szellőző területen használja a grillsütőt. Amikor a grillsütőt használja, ne akadályozza az égési levegő égőhöz való áramlását. EZT A GRILLSÜTŐT CSAK KÜLTÉREN HASZNÁLJA.

HASZNÁLAT ELŐTT ELLENŐRIZZE TÖMÍTETTSÉG SZEMPONTJÁBÓL

A tömítettség ellenőrzését soha ne végezze nyílt lánggal: minden esetben használjon szappanos vizet.

SZIVÁRGÁS-ELLENŐRZÉS

Egy rész mosogató folyadékot keverjen össze három rész vízzel, így készítsen 50-100 milliliter szivárgáskereső oldatot. Győződjön meg róla, hogy a szabályozószelep „OFF” (kikapcsolt) helyzetben van.

Csatlakoztassa a regulátort a palackhoz és az ON/OFF (KI/BE) szelepet az égőhöz, győződjön meg a biztonságos csatlakozásokról, majd kapcsolja be a gázt. Vigye fel a szappanos oldatot a tömlőre és az összes illesztésre. Ha buborékok jelennek meg, lyukat észlelt, amit használat előtt ki kell javítani. A hiba kijavítása után ismét végezze el a tesztet. Tesztelés után zárja el a gázt a palacknál. Amennyiben szivárgást észlel, és az nem szüntethető meg: ne próbálja megjavítani a lyukat, forduljon gáz értékesítőjéhez!

HASZNÁLATI UTASÍTÁS

Állítsa össze a grillsütőt gondosan, az utasításokat betartva. Csatlakoztassa a gáztömlőt a grillsütőhöz. Csatlakoztassa a regulátort a tömlőhöz. Csatlakoztassa a regulátort a gázpalackhoz a regulátorhoz mellékelt utasítások szerint. Mielőtt bekapcsolja a készülék gázellátását, fordítsa az összes szabályozó gombot 'OFF' (ki) helyzetbe. A regulátor kezelését a regulátorhoz mellékelt utasítások szerint végezze.

A GRILLEZŐ BEGYÚJTÁSA (GYÚJTÓLÁNG)

BEGYÚJTÁSI INSTRUKCIÓK

MODEL G2082 / X88000010

1. Nyissa fel a fedelet.
2. Fordítsa az összes gombot az óramutató járásával egyező irányba az "OFF" állásba.
3. Csatlakoztassa a gázadagoló szelepet a gázpalackhoz és a készülékhez. Nyissa meg a gázcsapot a palackon. Szappanos vízzel ellenőrizze, hogy van-e szivárgás a palack és a szelep között.
4. Nyomja le a bal oldali gombot és fordítsa az óramutató járásával ellentétesen a "Full rate" állásba, miközben 4-5 alkalommal lenyomja a piezo gyújtó gombot. Ez meg fogja gyújtani a lángot. Ellenőrizze, hogy meggyulladt-e a láng. Ha nem, ismétlje ezt a lépést.
5. Ha a láng újrapróbálás után sem gyullad meg, várjon 5 percet és ismétlje meg a 3. lépést.
6. Állítsa be a lángot a kezelőgomb megfelelő irányba (High/Low) csavarásával.
7. Ha a láng nem gyulladt meg, Gyújtsa be a készüléket egy gyufa segítségével az oldalsó nyílásban található mélyedésnél.
8. A jobb oldali tűzhely használatához forgassa a jobb oldali gombot a legmagasabb állásba. Ez ki fogja oltani a bal oldali tűzhelyet. Mindig a baloldali tűzhelyről gyújtsa meg a jobb oldalt.
9. A grillező kikapcsolása: Zárja el a gázpalack csapját, és azután fordítsa a készüléken található kezelőgombokat az óramutató járásával egyező irányba az OFF állásba.

MODEL G9003B / X88000020

1. Nyissa fel a fedelet.
2. Fordítsa az összes gombot az óramutató járásával egyező irányba az "OFF" állásba.
3. Csatlakoztassa a gázadagoló szelepet a gázpalackhoz és a készülékhez. Nyissa meg a gázcsapot a palackon. Szappanos vízzel

ellenőrizze, hogy van-e szivárgás a palack és a szelep között.

4. Nyomja meg a második gombot, amelyet a villám szimbólum (⚡) jelez, és ezzel egyidejűleg fordítsa "HI" állásba. Ezáltal a gyújtónak fel kell izzania és meggyújtania a főégőt.
5. A többi égőt akkor gyújthatja meg, ha a főégő szimbólumát (⚡) jelző lámpa világít.
6. Ha a meggyújtási folyamat nem működik, kapcsolja a gombot "OFF" állásba, várjon néhány percet, és ismétlje meg a 4. lépést.
7. A vezérlőgomb segítségével állítsa be a lángot a kívánt erősségre.
8. A grill kikapcsolásához kapcsolja ki közvetlenül a gázt vagy a szabályozót, majd kapcsolja vissza az összes kezelőszervet "OFF" állásba.

FIGYELMEZTETÉS: Ha a láng nem gyullad meg, fordítsa a kezelőgombot (óramutató irányába) az off állásba, és zárja el a gázpalack csapját. Várjon 5 percet mielőtt újra megpróbálná begyújtani.

TISZTÍTÁS ÉS KARBANTARTÁS

FIGYELJEN A KÖVETKEZŐKRE: Minden tisztítást és karbantartást a grillsütő hideg állapotában kell végezni, a gázpalacknál kikapcsolt üzemanyag-ellátás mellett.

TISZTÍTÁS

A grillsütő „leégetése” (kb. 15 percig) minden használat után megakadályozza, hogy túl sok ételmaradék maradjon benne.

KÜLSŐ FELÜLET

Használja kémélő tisztítószer vagy szódabikarbóna és forró víz oldatát. Makacs foltok esetében használható nem koptató súrolópor, utána öblítsen vízzel. Ha a grillsütő fedelének belső felületén láthatóan lehámlik a festék, a ráégett zsír elszenesedik és lemezesen lepattogzik. Tisztítsa meg alaposan tömény forró szappanos vízzel. Öblítse le vízzel és hagyja teljesen megszáradni. SOHA NE HASZNÁLJON TISZTÍTÓGÉPET.

A GRILLSÜTŐ ALJÁNAK BELSŐ RÉSZE

Kefével, kaparóval és/vagy tisztítópárnával távolítsa el a maradékot, majd mossa le szappanos vízzel. Öblítse vízzel és hagyja megszáradni.

SÜTŐRÁCS

Használjon híg szappanos vizet. Makacs foltok esetében használható nem koptató súrolópor, utána öblítsen vízzel.

AZ ÉGŐ TISZTÍTÁSA

A szabályozógombnál kapcsolja ki a gázt, és válassza le a palackot. Akkor vegye ki a rácsot, amikor lehűlt. Az égőt puha kefével vagy sűrített levegővel való lefúvással tisztítsa, és törölje le ruhával. Az eltömődött részeket tisztítsa pipaszurkálóval

vagy merev dróttal (például kiegyenesített gémpapocscsal). Vizsgálja meg az égőt, nem sérült-e (nincsenek-e rajta repedések vagy lyukak). Ha sérülést talál, cserélje ki új égőre. Szerelje vissza az égőt, ellenőrizze, hogy a gázszелеp nyílásainak helyzete biztosan megfelelő és azok rögzítettek az égő belsejében (Venturi).

SZERVIZELÉS

Grillsütőjét évente szervizelje hozzáértő és bejegyzett szakemberrel.

KÖRNYEZETVÉDELEM

Amikor a termék élettartama lejár, vigye a terméket egy elektromos és elektronikus újrahasznosítási gyűjtőponthoz. Kérjük, kezelje a terméket a csomagolási információk jelzése alapján. Lépjen kapcsolatba a környezetéhez tartozó, legközelebbi gyűjtőpontra.

FI ULKOGRILLI

TÁRKEÄÄ:

- Lue seuraavat ohjeet huolellisesti ja varmista, että grillisi on asianmukaisesti asennettu, koottu ja huollettu. Näiden ohjeiden noudattamatta jättäminen voi aiheuttaa vakavia henkilövammoja tai omaisuusvahinkoja. SÄILYÄ MYÖHEMPÄÄ KÄYTTÖÄ VARTEN.
- Mikäli sinulla on laitteen asennukseen tai käyttöön liittyviä kysymyksiä, ota yhteyttä myyjään tai nestekaasun toimittajaan.
- Varmista, että laite ja KAASUPULLO ovat tasaisella maaperällä, kun sitä käytetään maassa.
- Älä koskaan sytytä laitetta niin, että grillin päällä on SUOJAPEITE.
- Älä koskaan sytytä tai käytä sivupoltinta niin, että kansi on kiinni.
- Voit käyttää grilliäsi 6 tai 11 kg kaasupulloilla.
- Grilliä sytytettäessä on seuraavia ohjeita noudatettava tarkasti:
- Laitteen reunat ja selusta: vähintään 1 metri esteetöntä tilaa ympärillä
- Laitteen yläpuoli: LAITTEEN YLÄPUOLELLA EI SAA OLLA MITÄÄN
- VAIN ULKOKÄYTTÖÖN.
- **VAROITUS:** ULKOISET OSAT VOIVAT OLLA TODELLA KUUMA. PIDÄ NUORET LAPSET KAUKANA.
- ÄLÄ LIIKUTA LAITETTA GRILLIUKSEN AIKANA.

JOS HAISTAT KAASUN HAJUA

- katkaise grillin kaasunsyöttö
- sammuta liekki
- avaa kansi
- mikäli kaasu edelleen haisee, pysy kaukana laitteesta ja soita kaasun toimittajalle tai palokunnalle

- säilytä propaaninestekaasupullot vähintään 4 metrin päässä laitteesta
- älä säilytä tai käytä bensaa tai muita helposti syttyviä nesteitä tai kaasuja lähempänä kuin 8 metriä tästä ja tätä vastaavista laitteista
- kaasupullot (ei se, joka on grilliin kiinnitetty) tulee säilyttää kaukana tästä ja tätä vastaavista laitteista

VAROITUKSET

1. Grilli on tarkoitettu vain ulkokäyttöön eikä sitä saa käyttää missään rakennuksessa, autotallissa tai muussa suljetussa tilassa.
2. Tämä grilli ei ole tarkoitettu ammattimaiseen käyttöön.
3. Tätä grilliä saa käyttää vain propaanista tehdyllä NESTEKAASULLA. Maakaasun käyttö tai laitteen mukauttaminen sen käytön mahdollistamiseksi on vaarallista.
4. Nestekaasun ominaisuudet:
 - a. nestekaasu on helposti syttyvä ja vaarallista, mikäli sitä käsitellään väärin. Lue yksityiskohdat huolellisesti ennen nestekaasulla toimivan tuotteen käyttöä.
 - b. Nestekaasu on paineistettuna helposti räjähtävää, raskaampaa kuin ilma ja voi tiivistyä alavalla maalla.
 - c. Nestekaasu on luonnon tilassa hajutonta. Turvallisuussyistä tuotteeseen on lisätty mädän kaalin haju.
 - d. Nestekaasun pääsy iholle voi aiheuttaa paleltumavammoja.
5. Kaasupullossa on oltava pulloventtiili.
6. Kaasupullossa on oltava pulloventtiiliä suojaava suojus.
7. Älä koskaan käytä nestekaasupulloa, jonka runko, venttiili, venttiilin suojus tai alusta on vioittunut.
8. Kolhiintunut tai ruosteinen nestekaasupullo voi olla vaarallinen ja se pitäisi antaa nestekaasun toimittajan tarkastettavaksi ennen käyttöä.
9. Nestekaasupulloa ei saa pudottaa maahan eikä käsitellä kaltoin.
10. Nestekaasupullo on säilytettävä ulkona, lasten ulottumattomissa, ei rakennuksessa, autotallissa tai muussa suljetussa tilassa. Älä koskaan säilytä nestekaasupulloa tilassa, jonka lämpötila voi nousta yli 50°C:een.
11. Älä koskaan säilytä täyttä nestekaasupulloa kuumassa autossa tai veneessä. Kuumuus nostaa kaasun painetta, mikä voi aiheuttaa venttiilin aukeamisen ja kaasuvuodon.

12. Älä koskaan yritä yhdistää tätä grilliä asuntovaunun, asuntoauton tai talon itsenäiseen nestekaasusysteemiin.
13. Alkoholin sekä reseptilääkkeiden ja huumeiden käyttö voi heikentää käyttäjän kykyä koota ja käyttää grilliä asianmukaisesti.
14. Älä koskaan käytä tässä laitteessa hiiliä, sytytysnesteitä, laavakiviä, bensaa, parafiinia tai alkoholia.
15. Tarkasta laite vuotojen varalta vaikka sen olisi koonnut joku muu.
16. Älä käytä, mikäli havaitset kaasuvuodon. Kaasuvuoto voi aiheuttaa tulipalon tai räjähdyksiä.
17. Sinun on suoritettava kaikki vuototarkastuksen toimenpiteet ennen käyttöönottoa. Vältäaksesi tulipalon ja räjähdysten vaaralta vuotoja tarkastaessasi:
 - a. Tarkasta vuodot aina ennen grillin sytyttämistä ja joka kerta, kun kaasupullo kiinnitetään käyttöä varten.
 - b. Älä tupakoi. Pidä kaukana syttymislähteistä vuotoja tarkastastaessasi.
 - c. Tee vuototarkastus ulkona hyvin tuulettuvassa paikassa.
 - d. Älä käytä tulitukkuja, sytyttimiä tai liekkiä mahdollisia vuotoja etsiessäsi.
 - e. Älä käytä grilliä ennen kuin kaikki vuodot on tukittu. Mikäli vuodon tukkiminen ei onnistu, irrota nestekaasupullo grillistä.
18. Älä säilytä tai käytä bensaa tai muita helposti syttyviä nesteitä tai kaasuja lähempänä kuin 8 m laitteesta.
19. Älä käytä räjähdysvaarallisessa tilassa. Pidä grillausalue vapaana syttyvistä materiaaleista.
20. Pidä aina palavat aineet ja pinnat vähintään 1 metrin etäisyydellä grillistä. Älä käytä tätä grilliä tai muuta kaasulaitetta minkään suojaamattoman palavan materiaalin alla tai läheisyydessä.
21. On tärkeää, että grillin venttiiliosa, polttimet ja kiertoilma-aukot pidetään puhtaina. Tarkasta grilli ennen jokaista käyttökertaa.
22. Älä muuntele grilliä millään tavalla.
23. Älä käytä grilliä ennen kuin se on KOKONAISUUDESSAAN koottu ja kaikki osat ovat siinä kunnolla kiinni ja kiristetty.
24. Tämä grilli on puhdistettava ja tarkastettava säännöllisesti. Puhdista ja tarkasta letku aina hyvin ennen laitteen käyttöä. Mikäli havaitset letkussa merkkejä hankautumista, kulumista,

- viilloista tai vuodoista, vaihda se ennen kuin käytät laitetta.
25. Käytä vain tehtaan valtuuttamia osia. Tehtaan valtuuttamattomien osien käyttö voi olla vaarallista.
 26. Älä käytä tätä laitetta lukematta käyttöoppaan osiota 'käyttöohjeet'
 27. Välttyäksesi palovammoilta älä kosketa mitään grillin metalliosaa ennen kuin grilli on kokonaan jäähtynyt (n. 45 min).
 28. Grillatessasi tulisi palontorjuntavälineiden olla helposti saatavilla. Rasvapalon sattuessa älä käytä sammuttamiseen vettä. Käytä kuivajauhesammutinta (ABC) tai tukahduta liekit mullalla, hiekalla tai ruokasoodalla.
 29. Älä asenna tai käytä veneessä tai matkailuautossa.
 30. Älä käytä grilliä kovassa tuulessa.
 31. Älä koskaan kumarru grillin yli sitä sytyttäessäsi.
 32. Älä jätä sytytettyä grilliä valvomatta, **VAROITUS!** Pidä lapset ja lemmikit aina turvallisen välimatkan päässä grillistä.
 33. Älä liikuta grilliä, kun se on käytössä. Anna grillin jäähtyä ennen kuin liikutat sitä tai varastoit sen.
 34. Grilliä saa säilyttää sisätiloissa VAIN kun nestekaasupullo on suljettu, grillistä irrotettu ja varastoitu asianmukaisesti ulos.
 35. Avaa grillin kansi aina varovaisesti ja hitaasti, sillä kuumuus ja vesihöyry sen alla voivat polttaa sinua vakavasti.
 36. Älä irrota nestekaasupullostaa kaasusäädintä tai muuta osaa, kun grilli on käytössä.
 37. Aseta grilli aina kovalle ja tasaiselle pinnalle. Pinnan tulee kestää 50°C lämpötilannousu.
 38. Ole erityisen tarkkana puupintojen kanssa.
 39. Pidä kaasuletku niin kaukana kuin mahdollista kuumista pinnoista ja tiheästä kuumasta rasvasta.
 40. Pidä kaikki sähköjohdot kaukana kuumasta grillistä.
 41. Älä käytä grilliä sisällä ruoan valmistukseen tai lämmitykseen. Myrkylliset kaasut voivat tiivistyä ja aiheuttaa tukehtumisen.
 42. Kun laite on ollut pitkään varastoituna tai käyttämättömänä, tarkasta se vuotojen ja polttimien tukosten varalta. Tarkasta myös letku hankaumien, kulumien ja viiltojen varalta.
 43. Räjähäen loimahtava liekki voi syntyä, mikäli grillin kansi ei ole auki sen polttimia sytytettäessä tai jos et odota

- 5 minuuttia antaaksesi kaasun haihtua, kun grillin sytyttäminen ei onnistu.
44. Mikäli grilliä ei käytetä, pitää kaasun tulo sammuttaa kaasupullostaa ja säätimestä.
45. Älä koskaan käytä grilliä asentamatta siihen kuumennuslevyjä.
46. Älä säilytä varanestekaasupulloa laitteen alla tai sen läheisyydessä.
47. Putkitus on uusittava, kun sen kunto sitä vaatii. Katso malli ja pituus teknisistä tiedoista.
48. Sijoita pullo grillin viereen niin, ettei letku kierry eikä pääse kiertymään.
49. Varmista, ettei lähelläsi ole mitään sytytyslähteitä nestekaasupulloa vaihtaessasi.
50. Kaikenlainen laitteen muuntelu voi olla vaarallista.
51. Kuolema, henkilövahinko tai omaisuuden vaurioituminen voi koitua siitä, ettei yllä mainittuja ohjeita ja varoituksia ole tarkasti noudatettu.

TUOTETIEDOT

LAITTEEN NUMERO: X88-000010 / MALLI: G2082	
KOKONAISLÄMMÖNSYÖTTÖ (KAIKKI KAASULUOKAT)	5,5 kW (400 g/t)
KAASULUOKKA	13B/P (30)
KAASULAJI	PROPAANI NESTEKAAASUSEOKSET
KAASUN PAINE	30 mBar
INJEKTORIN KOKO	MAIN: 0,84 mm
YKSILÖINTINUMERO	2575DM28150
VAROITUS: ULKOISET OSAT VOIVAT OLLA TODELLA KUUMIA. PIDÄ NUORET LAPSET KAUKANA. LUE OHJEET ENNEN LAITTEEN KÄYTTÖÄ.	
ULKOKÄYTTÖÖN JA HYVIN TUULETUVIIN TILOIHIN.	
SYTYTYS PÄÄPOLTIN: KERTATOIMINEN PIETSOSÄHKÖINEN SYTYTYSYKSIKKÖ. LAITTEESSA KÄYTETTÄVÄ KAASULAJI: PROPAANI (30 mBar).	

LAITTEEN NUMERO: X88-000020 / MALLI: G9003B	
KOKONAISLÄMMÖNSYÖTTÖ (KAIKKI KAASULUOKAT)	8,4 kW (611 g/t)
KAASULUOKKA	13B/P (30)
KAASULAJI	PROPAANI NESTEKAAASUSEOKSET
KAASUN PAINE	30 mBar
INJEKTORIN KOKO	MAIN: 0,82 mm
YKSILÖINTINUMERO	2575DM28150
VAROITUS: ULKOISET OSAT VOIVAT OLLA TODELLA KUUMIA. PIDÄ NUORET LAPSET KAUKANA. LUE OHJEET ENNEN LAITTEEN KÄYTTÖÄ.	
ULKOKÄYTTÖÖN JA HYVIN TUULETUVIIN TILOIHIN.	
SYTYTYS PÄÄPOLTIN: KERTATOIMINEN PIETSOSÄHKÖINEN SYTYTYSYKSIKKÖ. LAITTEESSA KÄYTETTÄVÄ KAASULAJI: PROPAANI (30 mBar).	

ASENNUS

KAASUPULLON KIINNITTÄMINEN LAITTEeseen

Tässä laitteessa saa käyttää vain matalapaineista propaanikaasua (nestekaasu) yhdessä asianmukaisen paineensäätimen ja joustavan letkun kanssa. Letku pitää olla kiinnitetty säätimeen ja laitteeseen letkuklipseillä. Tämä grilli toimii 30 mbarin säätimellä ja nestekaasuseoksella. Ole hyvä ja ota yhteyttä nestekaasumyyjäsi saadaksesi lisätietoja kaasupulloon sopivasta paineensäätimestä.

PAINEENSÄÄDIN JA LETKU

Nämä osat eivät tule grillin mukana, vaan voit ostaa ne laitemyyjältä tai valtuutetulta nestekaasun

toimittajalta. Käytä vain sellaisia paineensäätimiä ja letkuja, jotka soveltuvat nestekaasulle yllä mainituissa paineissa. Paineensäätimen odotettu elinikä on noin 10 vuotta. On suositeltavaa vaihtaa paineensäädin 10 vuoden kuluessa sen valmistusvuodesta. Väärän paineensäätimen tai letkun käyttö ei ole turvallista; tarkista aina, että sinulla on oikeat osat ennen grillin käyttöä. Haurastunut tai vioittunut letku on vaihdettava. Varmista, ettei letkussa ole tukoksia, ettei se ole kierossa eikä kosketuksissa mihinkään muuhun grillin osaan kuin kiinnityskohtaan. Letkun on noudatettava maakohtaisia standardeja.

LAITTEEN SÄILYTYS

Laitetta saa säilyttää sisätiloissa vain jos siitä on irrotettu kaasusäiliö. Mikäli laitetta ei pitkään aikaan käytetä, tulisi se säilyttää alkuperäisessä pakkauksessaan kuivassa ja pölyttömässä tilassa.

KAASUPULLO

Kaasupulloa ei saa pudottaa maahan eikä kohdella kaltoin! Mikäli laitetta ei käytetä, pitää siitä irrottaa kaasusäiliö. Pane säiliön suojus takaisin paikoilleen, kun olet irrotanut säiliön laitteesta. Kaasusäiliöt pitää varastoida ulos, pystyasentoon ja lasten ulottumattomiin. Älä koskaan säilytä säiliötä tilassa, jonka lämpötila voi nousta yli 50°C:een. Älä säilytä säiliöitä lähellä avotulta, sytykkeitä tai muita sytytyslähteitä. **ÄLÄ TUPAKOI.**

Tämä grilli on suunniteltu ulkokäyttöön, kaasupalavasta materiaalista. On tärkeää, ettei grillin päällä ole mitään, ja että sen ympärillä on tyhjää tilaa vähintään 1 metri joka suuntaan. On tärkeää, että grillin ilma-aukoissa ilmankulku on vapaa. Grilliä tulee käyttää tasaisella ja vakaalla pinnalla. Laitte tulee suojata suoralta vedolta ja asettaa niin, että se on suojattuna suoralta kosketukselta valuvaan tai pisaroivaan veteen.

Valmistajan ja hänen valtuuttamansa sinetöimiä osia ei saa itse vaihtaa. Tämän grillin mihinkään osaan ei saa tehdä minkäänlaisia muunnoksia. Korjaus- ja ylläpitotoimenpiteet saa suorittaa vain valtuutettu asiantuntija.

LAITTEeseen KIINNITTÄMINEN

Ennen kaasupullon laitteeseen kiinnittämistä huolehdi, ettei kaasusäiliössä, paineensäätimessä, polttimessa tai poltinaukoissa ole mitään ylimääräistä. Osissa voi olla hämähäkkejä ja muita hyönteisiä, jotka voivat tukkia polttimen/injektoria aukkoja. Tukkeutunut poltin voi aikaansaada tulipalon laitteen alaosassa. Sovita letku laitteeseen ja käytä kiintoavainta sen kiristämiseksi liitinkierteeseen. Mikäli letku on vaihdettu, tulee se kiinnittää laitteeseen ja paineensäätimeen letkuklipseillä. Irrota säädin sylinteristä (katso suunta säätimestä), kun grilliä ei käytetä. Grilliä saa käyttää vain hyvin tuulettuvassa tilassa. Älä estä palamisilman kulkua polttimeen, kun grilli on käytössä. **KÄYTÄ TÄTÄ GRILLIÄ VAIN ULKOILMASSA.**

VUOTOJEN TARKASTUS ENNEN KÄYTTÖÄ

Älä koskaan tarkasta laitetta vuotojen varalta tulella: käytä aina saippuavesiliuosta.

VUOTOJEN TARKASTUS

Tee 4–6 ruokalusikallista vuotojentarkastusnestettä sekoittamalla keskenään yksi osa nestemäistä saippua ja 3 osaa vettä. Varmista, että kontrolliventtiili on asennossa "OFF". Yhdistä säädin säiliöön ja ON/OFF-venttiili polttimeen, varmista, että liitokset ovat kunnolla kiinni ja käännä kaasu asentoon "ON". Levitä saippuavettä letkun ja kaikkien liitoskohtien päälle. Kuplien ilmaantuminen kertoo vuodosta, joka on korjattava ennen käyttöä. Testaa uudelleen ongelmakohdan korjattuasi. Käännä testin tehtyäsi kaasu asentoon "OFF". Mikäli olet havainnut vuotokohdan, jonka tukkiminen ei onnistu: älä yritä korjata vuotoa itse, vaan ota yhteyttä kaasun myyjään.

KÄYTTÖOHJEET

Kokoa grilli huolellisesti ohjeita noudattaen. Yhdistä kaasuletku grilliin. Kiinnitä paineensäädin letkuun. Yhdistä paineensäädin kaasusäiliön venttiiliin säätimen mukana tulleiden ohjeiden mukaan. Käännä kaikki ohjaimet OFF-asentoon ennen kuin käynnistät kaasunsyötön laitteeseen. Käytä paineensäädintä, kuten sen mukana tulleissa käyttöohjeissa opastetaan.

GRILLIN SYTYTTÄMINEN (PÄÄPOLTIN)

SYTYTYSOHJEET

MALLI G2082 / X88-000010

1. Avaa kuomu.
2. Käännä kaikki säätönapit myötöpäivään OFF-asentoon.
3. Yhdistä kaasun säätölaite kaasupulloon ja grilliin. Käännä kaasupullon kaasunsyöttö ON-asentoon. Tarkista saippuaveden avulla, ettei kaasupullo tai kaasun säätölaite vuoda.
4. Paina vasemmanpuoleinen säätönappi alas ja käännä sitä vastapäivään Full rate -asentoon samalla kun painat sytytintä 4–5 kertaa. Tämä saa polttimeen syttymään. Varmista, että poltin syttyy. Mikäli näin ei ole, toista toimenpide alusta.
5. Mikäli poltin ei syty toisen yrityksen jälkeen, odota viisi minuuttia ja toista kohta 3.
6. Säädä kuumuutta kääntämällä nappia välillä High/Low.
7. Mikäli poltin ei syty, sytytä se sytyttämällä tulitikku ja suuntaamalla se polttimeen sivussa olevaan sytytysaukkoon.
8. Sytytä oikeanpuoleinen poltin kääntämällä oikeanpuoleinen säätönappi Full rate -asentoon. Vasen poltin saa oikeanpuoleisen polttimeen syttymään. Sytytä aina ensin vasen ja sitten vasta oikea poltin.
9. Sammuta grilli sulkemalla kaasupullon venttiili ja kääntämällä säätönapit myötöpäivään OFF-asentoon.

MALLI G9003B / X88-000020

1. Avaa kuomu.
2. Käännä kaikki säätönapit myötöpäivään OFF-asentoon.
3. Yhdistä kaasun säätölaite kaasupulloon ja grilliin. Käännä kaasupullon kaasunsyöttö ON-asentoon. Tarkista saippuaveden avulla, ettei kaasupullo tai kaasun säätölaite vuoda.
4. Paina toista kontrolli painiketta, merkitty salamalla (⚡) ja samaan aikaan käännä "HI" asentoon. Tämä sytyttää pääpolttimeen.
5. Voit sytyttää toiset polttimet kun pääpolttimeen merkkivalo (⚡) syttyy.
6. Jos sytytin ei toimi, käännä painike OFF asentoon, odota hetki, ja toista vaihe 4.
7. Säädä liekin voimakkuutta ohjauselementillä.
8. Sammuta grilli kääntämällä kaasu pois päältä, ja kääntämällä kaikki painikkeet OFF asentoon.

VAROITUS: Mikäli poltin ei syty, käännä säätönappi myötöpäivään OFF-asentoon ja sulje kaasupullon venttiili. Odota viisi minuuttia ennen kuin käytät sytytintä uudelleen.

PUHDISTUS JA HUOLTO

VAROITUS: kaikki puhdistus- ja huoltotoimenpiteet pitää suorittaa kun grilli on viileä ja kaasusäiliön kaasunsyöttö on OFF-asennossa.

PUHDISTUS

Grillin puhdistaminen "rasvanpoltolla" (n. 15 min) jokaisen käyttökerran jälkeen minimoi grilliin jäävät jäänteet.

ULKOPINTA

Käytä mietoa pesuainetta tai ruokasoodan ja kuuman veden liuosta. Mietoa hankausjauhetta voi käyttää tiukassa pysyviin tahroihiin, huuhtelee sitten vedellä. Mikäli kannen sisäpinnalta näyttää lohkeilevan maalia, on palanut rasva hiiltynyt ja ruvennut hilseilemään. Puhdista kauttaaltaan vahvalla kuumalla saippuavedellä. Huuhtelee vedellä ja anna kunnolla kuivua. ÄLÄ KOSKAAN KÄYTÄ UUNINPESUAINETTA.

GRILLIN SISÄPUOLI

Poista ruoantähteet käyttämällä harjaa, lastaa tai puhdistustyynyä ja pese sitten saippuavesiliuksella. Huuhtelee vedellä ja anna kuivua.

GRILLIRITILÄ

Käytä mietoa saippuavesiliuosta. Mietoa hankausjauhetta voi käyttää tiukassa pysyviin tahroihiin, huuhtelee sitten vedellä.

POLTINKOKONAISUUDEN PUHDISTUS

Käännä kaasu OFF-asentoon ja irrota kaasusäiliö. Irrota jäähtynyt ritilä. Puhdista poltin pehmeällä harjalla tai puhalla puhtaaksi paineilmalla ja pyyhi sitten liinalla. Puhdista tukkeutuneet kohdat

piippurassilla tai jäykällä metallilangalla (kuten avattu paperiliitin). Tarkista poltin vaurioiden varalta (halkeama tai reikä). Mikäli poltin on viallinen, vaihda se uuteen. Pane poltin takaisin. Tarkista, että kaasuventtiilin aukot ovat kohdillaan ja yhteydessä kaasunsyöttöön polttimen sisäpuolella.

HUOLTO

Kaasugrillisi tulisi huollattaa vuosittain asiantuntevalla ja rekisteröidyllä ammattihenkilöllä.

YMPÄRISTÖ

Kun tämä tuote saavuttaa käyttökelpoisen ikänsä lopun, jätä se sähkö- ja elektroniikkalaitteiden keräyspisteeseen. Katso tuotteen, käyttäjän ohjeiden tai pakkauksen symboleja. Ota yhteyttä kuntaasi sopivan lähistöllä olevan keräyspisteen osoitetta varten.

GR

ΜΠΑΡΜΠΕΚΙΟΥ

ΣΗΜΑΝΤΙΚΟ:

- Διαβάστε προσεκτικά τις ακόλουθες οδηγίες και βεβαιωθείτε ότι η συσκευή σας είναι εγκατεστημένη, συναρμολογημένη και φροντισμένη σωστά. Η αποτυχία τήρησης αυτών των οδηγιών μπορεί να προκαλέσει σοβαρές σωματικές βλάβες και/ή υλικές ζημιές. ΚΡΑΤΗΣΤΕ ΑΥΤΕΣ ΤΙΣ ΟΔΗΓΙΕΣ / ΣΗΜΕΙΩΣΕΙΣ ΓΙΑ ΜΕΛΛΟΝΤΙΚΗ ΑΝΑΦΟΡΑ ΣΕ ΑΥΤΕΣ.
- Εάν έχετε οποιοδήποτε ερωτήσες σχετικά με τη συναρμολόγηση ή τη λειτουργία αυτού του προϊόντος, συμβουλευτείτε τον αντιπρόσωπό σας ή τον προμηθευτή αερίου LP.
- Βεβαιωθείτε ότι η συσκευή και η δεξαμενή ΑΕΡΙΟΥ βρίσκονται σε επίπεδη επιφάνεια όταν χρησιμοποιούνται απ' ευθείας στο έδαφος.
- Μην ανάβετε ποτέ τη συσκευή με την ΚΟΥΚΟΥΛΑ στην κλειστή θέση.
- Μη χρησιμοποιείτε ποτέ και μην ανάβετε ποτέ τον πλευρικό καυστήρα με το καπάκι στην κλειστή θέση.
- Η συσκευή σας για το μπάρμπεκιου μπορεί να χρησιμοποιηθεί πάνω σε δεξαμενή αερίου 6 έως 11 κιλών.
- Όταν ανάβετε το μπάρμπεκιου, πρέπει να σέβεστε αυστηρά τους ακόλουθους κανονισμούς:
- Τα πλάγια και το πίσω μέρος της συσκευής πρέπει να απέχουν 1 μέτρο από κάθε εμπόδιο.
- Πάνω από τη συσκευή, ΔΕΝ ΕΠΙΤΡΕΠΟΝΤΑΙ ΤΑ ΕΜΠΟΔΙΑ.
- ΧΡΗΣΗ ΜΟΝΟ ΣΕ ΕΞΩΤΕΡΙΚΟΥΣ ΧΩΡΟΥΣ.
- **ΠΡΟΕΙΔΟΠΟΙΗΣΗ:** ΤΑ ΠΡΟΣΒΑΣΙΜΑ ΜΕΡΗ ΠΙΘΑΝΟΝ ΝΑ ΚΑΙΝΕ. ΠΑΡΑΚΑΛΕΙΣΘΕ ΝΑ ΚΡΑΤΗΣΤΕ ΤΑ ΜΙΚΡΑ ΠΑΙΔΙΑ ΜΑΚΡΥΑ.

– ΜΗ ΜΕΤΑΚΙΝΕΙΤΕ ΤΗ ΣΥΣΚΕΥΗ ΚΑΤΑ ΤΗ ΔΙΑΡΚΕΙΑ ΤΟΥ ΜΑΓΕΙΡΕΜΑΤΟΣ / ΨΗΣΙΜΑΤΟΣ

ΑΝ ΜΥΡΙΣΕΤΕ ΑΕΡΙΟ

- Κλείστε την είσοδο του αερίου στη συσκευή
- Σβήστε οποιαδήποτε γυμνή φλόγα
- Ανοίξτε το καπάκι
- Εάν η οσμή επιμένει, απομακρυνθείτε από τη συσκευή και καλέστε αμέσως τον προμηθευτή αερίου σας ή την Πυροσβεστική Υπηρεσία.
- Μην αποθηκεύετε τον κύλινδρο υγραερίου προπανίου σε απόσταση 4 μέτρων από αυτή τη συσκευή.
- Μην αποθηκεύετε ή χρησιμοποιείτε πετρέλαιο, βενζίνη, ή άλλα υγρά με εύφλεκτους ατμούς σε απόσταση 8 μέτρων από αυτή / από οποιαδήποτε άλλη συσκευή τέτοιου τύπου.
- Οι δεξαμενές αερίου (που δεν είναι συνδεδεμένες προς χρήση) δεν πρέπει να αποθηκεύονται ποτέ κοντά σε αυτή / σε οποιαδήποτε άλλη συσκευή τέτοιου τύπου.

ΠΡΟΕΙΔΟΠΟΙΗΣΕΙΣ

1. Αυτή η συσκευή είναι αποκλειστικά για χρήση σε εξωτερικούς χώρους, και δε θα πρέπει να χρησιμοποιηθεί στο εσωτερικό κτιρίων, γκαράζ/αποθηκών, ή άλλων κλειστών περιοχών.
2. Αυτή η συσκευή ΔΕΝ προορίζεται για εμπορική χρήση.
3. Αυτή η συσκευή πρέπει να χρησιμοποιείται μόνο με το μείγμα αερίου- βενζίνης – προπανίου LP. Η χρήση φυσικού αερίου ή η μετατροπή του προϊόντος προς χρήση φυσικού αερίου είναι επικίνδυνη.
4. Χαρακτηριστικά αερίου LP:
 - α. Το αέριο LP είναι εύφλεκτο και επικίνδυνο εάν υποστεί εσφαλμένο χειρισμό. Διαβάστε προσεκτικά τις προδιαγραφές πριν χρησιμοποιήσετε οποιοδήποτε προϊόν αερίου LP.πριν
 - β. Το αέριο LP εκρήγνυται υπό πίεση, είναι βαρύτερο από τον αέρα, και εγκαθίσταται σε πισίνες χαμηλών περιοχών.
 - γ. Στη φυσική του κατάσταση, το αέριο LP δεν έχει κάποια οσμή. Χάριν ασφαλείας, έχει προστεθεί κάποια ουσία που έχει την οσμή σάπιου λάχανου.
 - δ. Η επαφή με το αέριο LP μπορεί να προκαλέσει κρυοπαγήματα στο δέρμα.
5. Η δεξαμενή αερίου πρέπει να είναι εξοπλισμένη με τη βαλβίδα της δεξαμενής.
6. Η δεξαμενή αερίου πρέπει να είναι εξοπλισμένη με το κολλάρο της δεξαμενής, για την προστασία της βαλβίδας.

7. Μη χρησιμοποιείτε ποτέ δεξαμενή αερίου προπανίου LP με κατεστραμμένο περίβλημα, βαλβίδα, κολλάρο ή βάση.
8. Οι δεξαμενές αερίου LP που έχουν βαθουλώματα ή είναι σκουριασμένες, μπορεί να είναι επικίνδυνες και πρέπει να ελεγχθούν από τον προμηθευτή του LP αερίου σας πριν από τη χρήση.
10. Η δεξαμενή αερίου LP πρέπει να αποθηκευτεί σε εξωτερικό χώρο, μακριά από παιδιά, και όχι μέσα σε κτίρια, αποθήκες/γκαράζ ή άλλους κλειστούς χώρους. Η δεξαμενή LP δε θα πρέπει ποτέ να αποθηκεύεται σε χώρους όπου οι θερμοκρασίες μπορεί να υπερβούν τους 50°C.
11. Μην κρατάτε ποτέ μία γεμάτη δεξαμενή αερίου σε καυτό αυτοκίνητο ή πορτμπαγκάζ. Η θερμότητα θα προκαλέσει την αύξηση της πίεσης αερίου, η οποία μπορεί να ανοίξει τη βαλβίδα εκτόνωσης και να επιτρέψει στο αέριο να βγει.
12. Μην επιχειρήσετε ποτέ να συνδέσετε αυτή τη συσκευή στο αυτόνομο σύστημα αερίου LP ενός τροχόσπιτου, ενός βαν, ή ενός σπιτιού.
13. Η χρήση αλκοόλ και συνταγογραφούμενων ή μη συνταγογραφούμενων φαρμάκων μπορεί να επηρεάσει την ικανότητα του καταναλωτή να συναρμολογήσει σωστά ή να χειριστεί με ασφάλεια αυτή τη συσκευή.
14. Μην χρησιμοποιήσετε ποτέ κάρβουνο, υγρό αναπτήρα, πέτρες λάβας, πετρέλαιο / βενζίνη, παραφίνη ή αλκοόλ με αυτό το προϊόν.
15. Ελέγξτε για διαρροές ακόμα και αν η μονάδα σας έχει συναρμολογηθεί από κάποιον άλλο.
16. Μην χρησιμοποιείτε το προϊόν εάν έχει διαρροή αερίου. Διαρροές αερίου μπορεί να προκαλέσουν πυρκαγιά ή εκρήξεις.
17. Πρέπει να ακολουθήσετε όλες τις διαδικασίες ελέγχου διαρροών πριν από τη λειτουργία. Για την πρόληψη κινδύνου πυρκαγιάς ή έκρηξης κατά τον έλεγχο για διαρροή:
 - α. Να εκτελείτε πάντα έναν έλεγχο διαρροών πριν ανάψετε τη συσκευή, καθώς και κάθε φορά που η δεξαμενή είναι συνδεδεμένη στη συσκευή για χρήση.
 - β. Μην καπνίζετε. Κρατήστε τη συσκευή μακριά από πηγές ανάφλεξης κατά τη διεξαγωγή ελέγχου διαρροής.
 - γ. Να πραγματοποιείτε τους ελέγχους διαρροής σε εξωτερικούς και καλά αεριζόμενους χώρους.

δ. Μη χρησιμοποιήσετε σπύρτα, αναπτήρες ή κάποια γυμνή φλόγα για τον έλεγχο των διαρροών.

ε. Μη χρησιμοποιείτε τη συσκευή μέχρι να επιδιορθωθούν όλες οι διαρροές. Εάν δεν μπορείτε να επιδιορθώσετε τη διαρροή, αποσυνδέστε την παροχή του αερίου L.P.

18. Μην αποθηκεύετε ή χρησιμοποιείτε πετρέλαιο / βενζίνη, άλλα εύφλεκτα υγρά ή ατμούς εντός 8 μέτρων από αυτή τη συσκευή.
19. Μη χρησιμοποιείτε αυτή τη συσκευή μέσα σε εκρηκτική ατμόσφαιρα. Κρατήστε την περιοχή της σχάρας και της συσκευής καθαρή και απαλλαγμένη από εύφλεκτα υλικά.
20. Να κρατάτε πάντα όλα τα εύφλεκτα υλικά και τις εύφλεκες επιφάνειες τουλάχιστον 1 μέτρο μακριά από τη συσκευή. Μη χρησιμοποιήσετε αυτή τη συσκευή ή οποιοδήποτε προϊόν αερίου κάτω από οποιαδήποτε αντικείμενο σε μεγάλο ύψος ή κοντά σε απροστάτευτα και εύφλεκτα αντικείμενα.
21. Είναι απαραίτητο να διατηρείτε καθαρή τη θήκη της βαλβίδας της συσκευής, όπως επίσης και τους καυστήρες, καθώς και τους αγωγούς της κυκλοφορίας του αέρα. Να ελέγχετε τη συσκευή πριν από κάθε χρήση.
22. Μην τροποποιείτε τη συσκευή κατά κανένα τρόπο.
23. Μη χρησιμοποιήσετε τη συσκευή εκτός αν είναι ΠΛΗΡΩΣ συναρμολογημένη και όλα τα εξαρτήματά της είναι στερεωμένα με ασφάλεια και καλά σφιγμένα.
24. Αυτή η συσκευή πρέπει να καθαρίζεται σχολαστικά και να ελέγχεται σε συχνή βάση. Να καθαρίζετε και να ελέγχετε πάντα το λάστιχό της πριν την χρησιμοποιήσετε. Εάν υπάρχουν ενδείξεις τριβής, φθοράς, εγκοπών ή διαρροών, το λάστιχο πρέπει να αντικατασταθεί πριν η συσκευή τεθεί σε λειτουργία.
25. Να χρησιμοποιείτε μόνο εξαρτήματα που είναι εργοστασιακά εγκεκριμένα. Η χρήση οποιουδήποτε εξαρτήματος που δεν είναι εργοστασιακά εγκεκριμένο μπορεί να είναι επικίνδυνη.
26. Μη χρησιμοποιήσετε αυτή τη συσκευή αν πρώτα δε διαβάσετε την ενότητα 'Οδηγίες Χρήσης' αυτού του εγχειριδίου.
27. Προς αποφυγήν εγκαυμάτων, μην αγγίζετε οποιαδήποτε μεταλλικά μέρη της συσκευής μέχρι να κρυώσει εντελώς (για περίπου 45 λεπτά.).
28. Κατά τη διάρκεια του ψησίματος, κάποιος εξοπλισμός πυρόσβεσης πρέπει

- να είναι εύκολα προσβάσιμος. Σε περίπτωση που η συσκευή πάρει φωτιά, μην επιχειρήσετε να σβήσετε τη φωτιά με νερό. Χρησιμοποιήστε ξηρό χημικό πυροσβεστήρα τύπου ABC, ή πνίξτε τις φλόγες με σκόνη, άμμο ή μαγειρική σόδα.
29. Μην εγκαθιστάτε ή χρησιμοποιείτε τη συσκευή σε σκάφη ή οχήματα αναψυχής.
 30. Μην χρησιμοποιείτε τη συσκευή όταν επικρατούν ισχυροί άνεμοι.
 31. Μην σκύβετε ποτέ πάνω από τη σχάρα όταν την ανάβετε.
 32. Μην αφήνετε μια αναμμένη συσκευή χωρίς επίβλεψη, **ΠΡΟΕΙΔΟΠΟΙΗΣΗ!** Να κρατάτε πάντοτε τα παιδιά και κατοικίδια σας μακριά από τη συσκευή.
 33. Μην επιχειρήσετε να μετακινήσετε τη συσκευή όταν βρίσκεται σε λειτουργία. Αφήστε τη συσκευή να κρυώσει πριν τη μετακινήσετε ή την αποθηκεύσετε.
 34. Η συσκευή μπορεί να αποθηκευτεί σε εσωτερικό χώρο ΜΟΝΟ αν η δεξαμενή δεν είναι συνδεδεμένη, έχει απομακρυνθεί από τη συσκευή και είναι αποθηκευμένη κανονικά σε εξωτερικό χώρο
 35. Να ανοίγετε πάντοτε το καπάκι της συσκευής προσεκτικά, καθώς η ζέστη και ο ατμός που είναι παγιδευμένα από κάτω μπορούν να σας προκαλέσουν σοβαρά εγκαύματα.
 36. Μην επιχειρήσετε να αποσυνδέσετε τον ρυθμιστή αερίου από τη δεξαμενή ή από οποιαδήποτε εφαρμογή αερίου όταν η συσκευή είναι σε λειτουργία.
 37. Να τοποθετείτε πάντοτε τη συσκευή σε μια σκληρή και επίπεδη επιφάνεια. Οι επιφάνειες πρέπει να είναι κατάλληλα πυρίμαχες ώστε να αντέξουν μία άνοδο θερμοκρασίας 50°C.
 38. Επιδείξτε μεγάλη προσοχή στα ξύλινα δάπεδα.
 39. Μετακινήστε τα λάστιχα του αερίου όσο το δυνατόν μακρύτερα από καυτές επιφάνειες και καυτό λίπος που στάζει.
 40. Κρατήστε όλα τα ηλεκτρικά καλώδια μακριά από την καυτή συσκευή.
 41. Μην χρησιμοποιήσετε τη συσκευή για μαγείρεμα, ψήσιμο ή ζέσταμα. Τοξικές αναθυμιάσεις μπορεί να συσσωρευτούν και να προκαλέσουν ασφυξία.
 42. Μετά από μία περίοδο αποθήκευσης ή/και μη χρήσης, ελέγξτε για διαρροές, εμπόδια στον καυστήρα, και κοιτάξτε για τυχόν αμυχές, φθορές και κοψίματα στο λάστιχο.
 43. Η αδυναμία να ανοίξετε το καπάκι ενώ ανάβετε τους καυστήρες της συσκευής, ή το να μην περιμένετε 5 λεπτά ώστε

να μπορέσει το αέριο να διαλυθεί εάν η συσκευή δεν ανάψει, μπορεί να καταλήξει σε μία εκρηκτική κι ανυψωμένη φλόγα.

44. Εάν η συσκευή δεν είναι σε λειτουργία, το αέριο πρέπει να απενεργοποιηθεί από τη δεξαμενή και τον ρυθμιστή του.
45. Μην χρησιμοποιήσετε ποτέ τη συσκευή χωρίς να είναι εγκατεστημένες οι πλάκες θερμότητάς της.
46. Μην αποθηκεύετε ανταλλακτική δεξαμενή αερίου LP κάτω από τη συσκευή ή κοντά σε αυτήν.
47. Η σωλήνωση πρέπει να αντικατασταθεί όταν το απαιτήσουν οι καιρικές συνθήκες. Χρησιμοποιήστε τον συγκεκριμένο τύπο και μήκος σωλήνωσης.
48. Τοποθετήστε τη δεξαμενή αερίου δίπλα στη συσκευή, έτσι ώστε να μη διπλωθεί το λάστιχο σε καμία περίπτωση.
49. Βεβαιωθείτε ότι στέκεστε μακριά από κάθε πηγή ανάφλεξης κατά την αλλαγή της δεξαμενής αερίου (προπανίου) LP.
50. Κάθε τροποποίηση στη συσκευή μπορεί να είναι επικίνδυνη.
51. Η μη αυστηρή τήρηση των παραπάνω προειδοποιήσεων και οδηγιών και η μη συμμόρφωση σύμφωνα με αυτές μπορεί να προκαλέσει θάνατο, σοβαρούς τραυματισμούς ή φθορά περιουσίας.

ΠΡΟΔΙΑΓΡΑΦΕΣ ΠΡΟΪΟΝΤΟΣ

ΚΩΔΙΚΟΣ ΣΥΣΚΕΥΗΣ: X88-000010 / ΜΟΝΤΕΛΟ: G2082	
ΣΥΝΟΛΙΚΗ ΕΙΣΡΟΗ ΘΕΡΜΟΤΗΤΑΣ: (ΟΛΕΣ ΟΙ ΚΑΤΗΓΟΡΙΕΣ ΑΕΡΙΟΥ)	5,5 kW (400 g/h)
ΚΑΤΗΓΟΡΙΑ ΑΕΡΙΟΥ	13B/P (30)
ΤΥΠΟΙ ΑΕΡΙΩΝ	ΜΕΙΓΜΑΤΑ ΑΕΡΙΩΝ ΠΡΟΠΑΝΙΟΥ LP
ΠΙΕΣΗ ΑΕΡΙΟΥ	30 mBar
ΜΕΓΕΘΟΣ ΕΓΧΥΤΗΡΩΝ	ΚΥΡΙΩΣ: 0,84 mm
ΚΩΔΙΚΟΣ ΤΑΥΤΟΤΗΤΑΣ / ΑΝΑΓΝΩΡΙΣΗΣ	2575DM28150
ΠΡΟΕΙΔΟΠΟΙΗΣΗ: ΤΑ ΠΡΟΣΒΑΣΙΜΑ ΜΕΡΗ ΜΠΟΡΕΙ ΝΑ ΕΙΝΑΙ ΠΟΛΥ ΚΑΥΤΑ. ΚΡΑΤΗΣΤΕ ΤΑ ΜΙΚΡΑ ΠΑΙΔΙΑ ΜΑΚΡΥΑ. ΔΙΑΒΑΣΤΕ ΤΙΣ ΟΔΗΓΙΕΣ ΠΡΙΝ ΑΠΟ ΤΗ ΧΡΗΣΗ ΤΗΣ ΣΥΣΚΕΥΗΣ.	
ΓΙΑ ΧΡΗΣΗ ΣΕ ΕΣΩΤΕΡΙΚΟΥΣ ΧΩΡΟΥΣ ΚΑΙ ΕΥΑΕΡΕΣ ΠΕΡΙΟΧΕΣ.	
ΑΝΑΦΛΕΞΗ ΚΥΡΙΩΣ ΚΑΥΣΤΗΡΑΣ: ΠΙΕΣΟ-ΗΛΕΚΤΡΙΚΟΣ ΑΝΑΦΛΕΚΤΗΡΑΣ ΜΟΝΗΣ ΔΟΣΗΣ. ΕΙΔΙΚΟ ΑΕΡΙΟ ΠΡΟΣ ΧΡΗΣΗ: ΠΡΟΠΑΝΙΟ (ΣΤΑ 30 mBar).	

ΚΩΔΙΚΟΣ ΣΥΣΚΕΥΗΣ: X88-000020 / ΜΟΝΤΕΛΟ: G9003B	
ΣΥΝΟΛΙΚΗ ΕΙΣΡΟΗ ΘΕΡΜΟΤΗΤΑΣ: (ΟΛΕΣ ΟΙ ΚΑΤΗΓΟΡΙΕΣ ΑΕΡΙΟΥ)	8,4 kW (611 g/h)
ΚΑΤΗΓΟΡΙΑ ΑΕΡΙΟΥ	13B/P (30)
ΤΥΠΟΙ ΑΕΡΙΩΝ	ΜΕΙΓΜΑΤΑ ΑΕΡΙΩΝ ΠΡΟΠΑΝΙΟΥ LP
ΠΙΕΣΗ ΑΕΡΙΟΥ	30 mBar
ΜΕΓΕΘΟΣ ΕΓΧΥΤΗΡΩΝ	ΚΥΡΙΩΣ: 0,82 mm
ΚΩΔΙΚΟΣ ΤΑΥΤΟΤΗΤΑΣ / ΑΝΑΓΝΩΡΙΣΗΣ	2575DM28150
ΠΡΟΕΙΔΟΠΟΙΗΣΗ: ΤΑ ΠΡΟΣΒΑΣΙΜΑ ΜΕΡΗ ΜΠΟΡΕΙ ΝΑ ΕΙΝΑΙ ΠΟΛΥ ΚΑΥΤΑ. ΚΡΑΤΗΣΤΕ ΤΑ ΜΙΚΡΑ ΠΑΙΔΙΑ ΜΑΚΡΥΑ. ΔΙΑΒΑΣΤΕ ΤΙΣ ΟΔΗΓΙΕΣ ΠΡΙΝ ΑΠΟ ΤΗ ΧΡΗΣΗ ΤΗΣ ΣΥΣΚΕΥΗΣ.	
ΓΙΑ ΧΡΗΣΗ ΣΕ ΕΣΩΤΕΡΙΚΟΥΣ ΧΩΡΟΥΣ ΚΑΙ ΕΥΑΕΡΕΣ ΠΕΡΙΟΧΕΣ.	
ΑΝΑΦΛΕΞΗ ΚΥΡΙΩΣ ΚΑΥΣΤΗΡΑΣ: ΠΙΕΣΟ-ΗΛΕΚΤΡΙΚΟΣ ΑΝΑΦΛΕΚΤΗΡΑΣ ΜΟΝΗΣ ΔΟΣΗΣ. ΕΙΔΙΚΟ ΑΕΡΙΟ ΠΡΟΣ ΧΡΗΣΗ: ΠΡΟΠΑΝΙΟ (ΣΤΑ 30 mBar).	

ΣΥΝΑΡΜΟΛΟΓΗΣΗ

ΣΥΝΔΕΣΗ ΤΗΣ ΔΕΞΑΜΕΝΗΣ ΑΕΡΙΟΥ ΣΤΗ ΣΥΣΚΕΥΗ

Αυτή η συσκευή είναι κατάλληλη για χρήση μόνο με αέριο προπανίου χαμηλής πίεσης (μείγματα αερίου LPG), εξοπλισμένη με τον κατάλληλο ρυθμιστή χαμηλής πίεσης μέσω ενός εύκαμπτου λάστιχου. Το λάστιχο θα πρέπει να είναι καλά στερεωμένο

στον ρυθμιστή και τη συσκευή με τα κλιπάρια του λάστιχου. Αυτό το μπάρμπεκιου είναι ρυθμισμένο να λειτουργεί έναν ρυθμιστή 30-mbar με μείγματα αερίων LPG. Παρακαλείσθε να συμβουλευτείτε τον προμηθευτή σας LPG για πληροφορίες που αφορούν έναν κατάλληλο ρυθμιστή για τη δεξαμενή αερίου.

ΡΥΘΜΙΣΤΗΣ ΚΑΙ ΛΑΣΤΙΧΟ

Αυτά τα είδη δεν παρέχονται με το μπάρμπεκιου, μπορείτε να τα αγοράσετε από τον λιανέμπορο εξοπλισμού σας, ή από έναν εξουσιοδοτημένο προμηθευτή αερίου LP. Να χρησιμοποιείτε ρυθμιστές και λάστιχα εγκεκριμένα για αέριο LP στις παραπάνω πιέσεις. Το προσδόκιμο ζωής του ρυθμιστή εκτιμάται στα 10 έτη. Συνιστάται ο ρυθμιστής να αλλάξει εντός 10 ετών από την ημερομηνία κατασκευής. Η χρήση του λάθος ρυθμιστή ή του λάθος λάστιχου είναι επικίνδυνη. Να ελέγχετε πάντοτε ότι έχετε τα σωστά είδη πριν θέσετε σε λειτουργία το μπάρμπεκιου. Τυχόν φθαρμένο ή κατεστραμμένο λάστιχο πρέπει να αντικατασταθεί. Φροντίστε το λάστιχο να μην εμποδίζεται, να μην έχει στρίψει, ή να μην έρχεται σε επαφή με οποιοδήποτε μέρος του μπάρμπεκιου εκτός από τη σύνδεσή του. Το λάστιχο που χρησιμοποιείται πρέπει να είναι προσαρμοσμένο στο σχετικό πρότυπο για τη χώρα χρήσης.

ΑΠΟΘΗΚΕΥΣΗ ΤΗΣ ΣΥΣΚΕΥΗΣ

Η αποθήκευση της συσκευής σε εσωτερικό χώρο επιτρέπεται μόνο εάν ο κύλινδρος αποσυνδεθεί και αφαιρεθεί από τη συσκευή. Όταν η συσκευή δε χρησιμοποιείται για μεγάλο χρονικό διάστημα, θα πρέπει να αποθηκεύεται στην αρχική της συσκευασία, και σε ένα ξηρό περιβάλλον χωρίς σκόνη.

ΔΕΞΑΜΕΝΗ ΑΕΡΙΟΥ

Η δεξαμενή αερίου δε θα πρέπει να υποστεί πτώση ή να τύχει απότομου χειρισμού! Αν η συσκευή δε βρίσκεται σε λειτουργία, ο κύλινδρος θα πρέπει να αποσυνδεθεί. Αντικαταστήστε το προστατευτικό κάλυμμα στον κύλινδρο αφού αποσυνδέσετε τον κύλινδρο από τη συσκευή. Οι κύλινδροι θα πρέπει να αποθηκεύονται σε εξωτερικούς χώρους σε όρθια θέση και μακριά από παιδιά. Ο κύλινδρος δεν πρέπει ποτέ να αποθηκεύεται σε χώρους όπου οι θερμοκρασίες μπορούν να υπερβούν τους 50°C. Μην αποθηκεύσετε τον κύλινδρο κοντά σε φλόγες, φώτα χειρισμού ή άλλες πηγές ανάφλεξης. ΜΗΝ ΚΑΠΝΙΖΕΤΕ.

Αυτό το μπάρμπεκιου είναι σχεδιασμένο για χρήση σε εξωτερικούς χώρους, μακριά από εύφλεκτα υλικά. Είναι σημαντικό να μην υπάρχουν εμπόδια πάνω από τη συσκευή και ότι υπάρχει μια ελάχιστη απόσταση 1 μέτρου από τα πλάγια ή το πίσω μέρος της συσκευής. Είναι σημαντικό να μην εμποδίζονται τα ανοίγματα εξαερισμού της συσκευής. Το μπάρμπεκιου πρέπει να χρησιμοποιείται σε μια επίπεδη και σταθερή επιφάνεια. Η συσκευή πρέπει να προστατεύεται από άμεσα ρεύματα και θα τοποθετηθεί ή θα προστατευτεί από άμεση επαφή με τυχόν νερό που στάζει.

Μέρη που έχουν σφραγιστεί από την κατασκευάστρια εταιρεία, δε θα πρέπει να τροποποιηθούν από το χρήστη. Δεν πρέπει να γίνονται αλλαγές σε οποιοδήποτε μέρος αυτού του μπάρμπεκιου, και τυχόν επιδιορθώσεις θα πρέπει να εκτελούνται από μηχανικό εξουσιοδοτημένου σέρβις.

ΣΥΝΔΕΣΗ ΜΕ ΤΗ ΣΥΣΚΕΥΗ

Πριν συνδέσετε τη συσκευή, βεβαιωθείτε ότι δεν έχουν πιαστεί σκουπίδια στην κεφαλή του κυλίνδρου αερίου, στον ρυθμιστή, στον καυστήρα και τις θύρες του καυστήρα. Αράχνες και έντομα μπορούν να κάνουν φωλιά στο εσωτερικό και να φράξουν το άνοιγμα του καυστήρα / του σωλήνα βεντούρι. Ένας φραγμένος καυστήρας μπορεί να οδηγήσει σε φωτιά στο κάτω μέρος της συσκευής. Τοποθετήστε το λάστιχο στη συσκευή χρησιμοποιώντας ένα κλειδί σύσφιξης για να το σφίξετε πάνω στο νήμα σύνδεσης. Αν το λάστιχο αντικατασταθεί, θα πρέπει να στερεωθεί στις συνδέσεις συσκευής και ρυθμιστή με τα κλιπάρια του λάστιχου. Αποσυνδέστε τον ρυθμιστή από τον κύλινδρο (σύμφωνα με τις οδηγίες που παρέχονται με τον ρυθμιστή) όταν το μπάρμπεκιου δεν είναι σε λειτουργία. Το Μπάρμπεκιου πρέπει να χρησιμοποιείται σε ευάερη περιοχή. Μην εμποδίζετε τη ροή του αέρα καύσης στον καυστήρα όταν το μπάρμπεκιου είναι σε λειτουργία. ΧΡΗΣΙΜΟΠΟΙΗΣΤΕ ΤΟ ΜΠΑΡΜΠΕΚΙΟΥ ΑΠΟΚΛΕΙΣΤΙΚΑ ΣΕ ΕΞΩΤΕΡΙΚΟΥΣ ΧΩΡΟΥΣ.

ΕΛΕΓΞΤΕ ΤΟ ΜΠΑΡΜΠΕΚΙΟΥ ΓΙΑ ΔΙΑΡΡΟΕΣ ΠΡΙΝ ΑΠΟ ΤΗ ΧΡΗΣΗ

Μην κάνετε ποτέ αυτόν τον έλεγχο με γυμνές φλόγες: να χρησιμοποιείτε πάντοτε ένα διάλυμα με νερό και σαπούνι.

ΕΛΕΓΧΟΣ ΓΙΑ ΔΙΑΡΡΟΕΣ

Φτιάξτε 5-6 ml διαλύματος εμφάνισης διαρροών, αναμειγνύοντας ένα μέρος απορρυπαντικού πιάτων με 3 μέρη νερό. Βεβαιωθείτε ότι η βαλβίδα ελέγχου βρίσκεται στην θέση "OFF". Συνδέστε τον ρυθμιστή στον κύλινδρο και την βαλβίδα ON/OFF στον καυστήρα, βεβαιωθείτε ότι οι συνδέσεις είναι ασφαλείς, κατόπιν ΕΝΕΡΓΟΠΟΙΗΣΤΕ το αέριο. Εφαρμόστε το διάλυμα του σαπουνιού επάνω στο λάστιχο και σε όλες τις αρθρώσεις. Αν εμφανιστούν φυσαλίδες, έχετε διαρροή, η οποία θα πρέπει να επιδιορθωθεί πριν από τη χρήση. Επαναλάβετε το τεστ αφού επιδιορθωθεί το σφάλμα. ΑΠΕΝΕΡΓΟΠΟΙΗΣΤΕ το αέριο στον κύλινδρο μετά το τεστ. Αν η διαρροή που θα εμφανιστεί δεν μπορεί να επιδιορθωθεί: Μην επιχειρήσετε να φτιάξετε τη διαρροή και επικοινωνήστε με τον προμηθευτή αερίου σας!

ΟΔΗΓΙΕΣ ΧΡΗΣΗΣ

Συναρμολογήστε το μπάρμπεκιου προσεκτικά, ακολουθώντας τις οδηγίες. Συνδέστε το λάστιχο αερίου στο μπάρμπεκιου. Συνδέστε τον ρυθμιστή στο λάστιχο. Συνδέστε τον ρυθμιστή στη βαλβίδα του κυλίνδρου σύμφωνα με τις οδηγίες του ρυθμιστή που παρέχονται με το ρυθμιστή. Στρέψτε όλα τα

κουμπιά ελέγχου στη θέση "OFF" πριν ενεργοποιήσετε την παροχή αερίου στη συσκευή. Λειτουργήστε τον ρυθμιστή σύμφωνα με τις οδηγίες που παρέχονται με τον ρυθμιστή.

ΑΝΑΒΟΝΤΑΣ ΤΟ ΔΙΚΟ ΣΑΣ ΜΠΑΡΜΠΕΚΙΟΥ (ΚΥΡΙΟΣ ΚΑΥΣΤΗΡΑΣ)

ΟΔΗΓΙΕΣ ΠΡΟΣΑΝΑΜΜΑΤΟΣ
MONTELO G2082 / X88-000010

1. Ανοίξτε το κάλυμμα.
2. Στρέψτε όλα τα κουμπιά δεξιόστροφα, στη θέση "OFF".
3. Συνδέστε το ρυθμιστή αερίου στη φιάλη αερίου και τη συσκευή. Ενεργοποιήστε την παροχή αερίου στρέφοντας το κουμπί στη θέση "ON" στη φιάλη του αερίου. Ελέγξτε για τυχόν διαρροές στη φιάλη και τον ρυθμιστή αερίου με τη χρήση σαπουνιού και νερού.
4. Σπρώξτε προς τα κάτω το αριστερό κουμπί ελέγχου και στρέψτε το αριστερόστροφα στη θέση "Full rate", ενώ πιέζετε το κουμπί ανάφλεξης 4 ή 5 φορές. Αυτό θα ανάψει τον καυστήρα. Κοιτάξτε αν ο καυστήρας έχει ανάψει. Αν όχι, επαναλάβετε τη διαδικασία.
5. Αν ο καυστήρας δεν έχει ανάψει αφού ξαναπροσπαθήσατε, περιμένετε για 5 λεπτά και επαναλάβετε το βήμα 3.
6. Ρυθμίστε τη θερμότητα στρέφοντας το κουμπί στη θέση High/Low.
7. Αν ο καυστήρας δεν ανάψει, ανάψτε τη συσκευή με ένα σπίρτο χρησιμοποιώντας την ειδική τρύπα στο πλάι της συσκευής.
8. Για να ανάψετε τον δεξιό καυστήρα, στρέψτε το δεξί κουμπί ελέγχου στη θέση full rate, έτσι θα ανάψει και ο αριστερός καυστήρας. Να ανάβετε πάντα τη συσκευή από τον αριστερό καυστήρα προς τη δεξιά πλευρά.
9. Για να ΣΒΗΣΕΤΕ το μπάρμπεκιου: Κλείστε τη βαλβίδα στη φιάλη αερίου, και κατόπιν στρέψτε τα κουμπιά ελέγχου της συσκευής δεξιόστροφα στη θέση "OFF".

MONTELO G9003B / X88-000020

1. Ανοίξτε το κάλυμμα.
2. Στρέψτε όλα τα κουμπιά δεξιόστροφα, στη θέση "OFF".
3. Συνδέστε το ρυθμιστή αερίου στη φιάλη αερίου και τη συσκευή. Ενεργοποιήστε την παροχή αερίου στρέφοντας το κουμπί στη θέση "ON" στη φιάλη του αερίου. Ελέγξτε για τυχόν διαρροές στη φιάλη και τον ρυθμιστή αερίου με τη χρήση σαπουνιού και νερού.
4. Πιέστε το δεύτερο κουμπί ελέγχου, αναγνωρίσιμο από το σύμβολο αστραπής (⚡) και ταυτόχρονα μετατρέψτε το σε "HI". Με αυτόν τον τρόπο, η ανάφλεξη πρέπει να πυροδοτηθεί και να ανάψει τον κύριο καυστήρα.
5. Μπορείτε να ανάψετε τους άλλους καυστήρες όταν το σήμα (⚡) του κύριου καυστήρα δείχνει ότι είναι αναμμένο.

6. Εάν η διαδικασία φωτισμού δεν λειτουργεί, γυρίστε το κουμπί στο "OFF", περιμένετε λίγα λεπτά και επαναλάβετε το βήμα 4.
7. Ρυθμίστε τη φλόγα στην επιθυμητή ισχύ χρησιμοποιώντας το κουμπί ελέγχου.
8. Για να απενεργοποιήσετε το μπάρμπεκιου, απενεργοποιήστε άμεσα το αέριο ή το ρυθμιστή και γυρίστε ξανά όλα τα χειριστήρια στο "OFF".

ΠΡΟΣΟΧΗ: Αν ο καυστήρας δεν ανάψει, στρέψτε το κουμπί ελέγχου στη θέση off (δεξιόστροφα), κι επίσης κλείστε και τη βαλβίδα της φιάλης. Περιμένετε 5 λεπτά πριν προσπαθήσετε να ξαναάψετε τη συσκευή με τη συνέχεια της ανάφλεξης.

ΚΑΘΑΡΙΣΜΟΣ ΚΑΙ ΦΡΟΝΤΙΔΑ

ΠΡΟΣΟΧΗ: Όλος ο καθαρισμός και όλη η συντήρηση θα πρέπει να εκτελείται όταν το μπάρμπεκιου έχει κρυώσει και με την παροχή στον κύλινδρο αερίου ΑΠΕΝΕΡΓΟΠΟΙΗΜΕΝΗ.

ΚΑΘΑΡΙΣΜΟΣ

Το κάψιμο των λιπών του μπάρμπεκιου μετά από κάθε χρήση (για περίπου 15 λεπτά) θα περιορίσει τα υπολείμματα του φαγητού στο ελάχιστο.

ΕΞΩΤΕΡΙΚΗ ΕΠΙΦΑΝΕΙΑ

Χρησιμοποιήστε ένα διάλυμα από ήπιο απορρυπαντικό ή μαγειρική σόδα, και καυτό νερό. Χρησιμοποιήστε επίσης ένα ήπιο απορρυπαντικό σε σκόνη πάνω σε λεκέδες που επιμένουν, και κατόπιν ξεπλύνετε με νερό. Εάν η εσωτερική επιφάνεια στο καπάκι της συσκευής δείχνει πως η μπογιά της ξεφλουδίζει, το μαγειρικό λίπος που έχει συσσωρευτεί έχει μετατραπεί σε άνθρακα, και η επιφάνεια δείχνει να έχει «λέπια» και να κομματιάζεται. Καθαρίστε τη καλά με ένα δυνατό και καυτό διάλυμα σαπουνόνευρο. Ξεπλύνετε με νερό και αφήστε να στεγνώσει εντελώς. ΜΗ ΧΡΗΣΙΜΟΠΟΙΗΣΤΕ ΠΟΤΕ ΚΑΘΑΡΙΣΤΙΚΟ ΦΟΥΡΝΟΥ.

ΕΞΩΤΕΡΙΚΟ ΤΗΣ ΒΑΣΗΣ ΜΠΑΡΜΠΕΚΙΟΥ

Αφαιρέστε τα υπολείμματα χρησιμοποιώντας βουρτσάκι, ξέστρο και / ή πανάκι καθαρισμού, και κατόπιν, πλύνετε με ένα διάλυμα σαπουνόνευρο. Ξεπλύνετε με νερό και αφήστε να στεγνώσει.

ΣΧΑΡΑ ΨΗΣΙΜΑΤΟΣ

Χρησιμοποιήστε ένα ήπιο διάλυμα σαπουνόνευρο. Χρησιμοποιήστε επίσης ένα ήπιο απορρυπαντικό σε σκόνη πάνω σε λεκέδες που επιμένουν, και κατόπιν ξεπλύνετε με νερό.

ΚΑΘΑΡΙΣΜΟΣ ΤΗΣ ΣΥΝΑΡΜΟΛΟΓΗΣΗΣ ΤΟΥ ΚΑΥΣΤΗΡΑ

Απενεργοποιήστε το αέριο με το κουμπί ελέγχου και αποσυνδέστε τον κύλινδρο. Απομακρύνετε το στέλεχος ψύξης. Καθαρίστε τον κρύα σχάρα (με ένα απαλυνδετήρα).ό βουρτσάκι ή ριζίτε πεπιεσμένο αέρα και σκουπίστε με πανί.Καθαρίστε τυχόν

φραγμένα ανοίγματα με καθαριστικό σωλήνων ή σκληρό σύρμα (όπως έναν ανοιγμένο σ Ελέγξτε τον καυστήρα για τυχόν φθορές (ρωγμές ή τρύπες). Αν βρεθεί φθορά, αντικαταστήστε τον με έναν νέο καυστήρα. Επανεγκαταστήστε τον καυστήρα, κι ελέγξτε για να βεβαιωθείτε ότι τα ανοίγματα της βαλβίδας του αερίου είναι τοποθετημένα σωστά και ασφαλισμένα μέσα στο σωλήνα εισόδου του καυστήρα (σωλήνας βεντούρι).

ΣΕΡΒΙΣ

Το μάρμπεκκιου αερίου σας πρέπει να υπόκειται σε έλεγχο ετησίως από έναν ικανό και πιστοποιημένο επαγγελματία.

ΤΟ ΠΕΡΙΒΑΛΛΟΝ

Όταν αυτό το προϊόν δεν μπορεί πλέον να χρησιμοποιηθεί παραδώστε το σε ένα σημείο ανακύκλωσης ηλεκτρικού και ηλεκτρονικού εξοπλισμού. Παρακαλώ αναφερθείτε στα σύμβολα του προϊόντος, στις οδηγίες του χρήστη ή στη συσκευασία. Ελάτε σε επαφή με το δήμο σας για τη διεύθυνση του κατάλληλου σημείου συλλογής στη γειτονιά σας.

LAT BARBEKJŪ

SVARĪGI:

- Rūpīgi izlasiet šo instrukciju un nodrošiniet, ka jūsu barbekjū tiek pareizi uzstādīts, samontēts un kopts. Šīs instrukcijas neievērošanas gadījumā var rasties nopietni miesas bojājumi un/vai īpašuma bojājumi. GLABĀJIET ROKASGRĀMATU TURPMĀKAI LIETOŠANAI.
- Ja jums ir kādi jautājumi par šīs ierīces montāžu vai lietošanu, konsultējieties ar tā izplatītāju vai LP gāzes piegādātāju.
- Pārliedzinieties, ka ierīce un GĀZES tvertne stāv uz līdzenas virsmas, ja to lieto uz zemes.
- Nekādā gadījumā neiededziet ierīci, kad PĀRSEGS ir slēgtā pozīcijā.
- Nekādā gadījumā neiededziet un neizmantojiet sānu degli, kad vāks ir aizvērtā pozīcijā.
- Barbekjū drīkst izmantot uz gāzes tvertnes, kas ir no 6 līdz 11 kg smaga.
- Iedezot barbekjū, ir stingri jāievēro šādi attālumi:
 - Ierīces sāni un aizmugure: 1 metrs no jebkura šķēršļa.
 - Virs ierīces: NAV ATĻAUTI NEKĀDA VEIDA OBJEKTI.
 - LIETOT TIKAI ĀRPUS TELPĀM.
- **BRĪDINĀJUMS:** PIEEJAMĀS DAĻAS VAR BŪT ĻOTI KARSTAS. LŪDZU, NEĻAUJIET BĒRNIEM TĀM PIEKĻŪT.
- NEPĀRVIETOJIET IERĪCI ĒDIENA GATAVOŠANAS LAIKĀ.

JA IR JŪTAMA GĀZES SMAKA

- izslēdziet barbekjū gāzes ieplūdi;
- nodzēsiet jebkuru atklātu liesmu;
- atveriet vāku;
- ja smarža saglabājas, netuvojieties ierīcei un nekavējoties sazinieties ar gāzes piegādātāju vai ugunsdzēsības dienestu.
- Glabājiet propāna LPG balonu vismaz 4 m attālumā no šīs ierīces.
- Neglabājiet un nelietojiet benzīnu vai citus šķidrums ar viegli uzliesmojošiem tvaikiem tuvāk par 8 m no šīs/citas līdzīgas ierīces.
- Gāzes tvertnes (nav savienotas lietošanai) nedrīkst glabāt šīs/citas līdzīgas ierīces tuvumā.

BRĪDINĀJUMI

1. Šīs barbekjū paredzēts tikai lietošanai ārā, un to nedrīkst izmantot ēkā, garāžā vai kādā citā slēgtā telpā.
2. Šīs barbekjū NAV paredzēts komerciālai lietošanai.
3. Šīs barbekjū jālieto tikai ar propāna LP GĀZU MAISIĶUMU. Dabas gāzes izmantošana vai ierīces pārveidošana tā, lai to varētu izmantot, ir bīstama.
4. LP gāzes raksturojums:
 - a. LP gāze ir uzliesmojoša un bīstama, ja ar to rīkojas nepareizi. Pirms jebkuru LP gāzes produktu lietošanas uzmanīgi izlasiet specifikācijas.
 - b. LP gāze zem spiediena ir sprādzienbīstama, smagāka par gaisu un nosēžas baseinos zemās vietās.
 - c. LP gāzei dabiskajos apstākļos nav smakas. Drošības nolūkos tai pievieno smaržvielu, kas smaržo pēc puvušiem kāpostiem.
 - d. Saskare ar LP gāzi var izraisīt ādas apsaldējumus.
5. Gāzes tvertnei jābūt aprīkotai ar tvertnes vārstu.
6. Gāzes tvertnei jābūt aprīkotai ar tvertnes apkakli, lai aizsargātu tvertnes vārstu.
7. Nekādā gadījumā nelietojiet propāna LP gāzes tvertni ar bojātu korpusu, vārstu, apkakli vai pamatni.
8. Deformētas vai sarūsējušas LP gāzes tvertnes var būt bīstamas, un pirms lietošanas jūsu LP gāzes piegādātājam tās ir jāpārbauda.
9. LP gāzes tvertni nedrīkst nomest zemē vai rīkoties ar to nevērīgi.
10. LP gāzes tvertne jāuzglabā ārpus telpām, bērniem nepieejamā vietā, un to nedrīkst uzglabāt ēkā, garāžā vai kādā citā slēgtā vietā. LP gāzes tvertni nekādā gadījumā nedrīkst uzglabāt vietās, kur temperatūra var pārsniegt 50°C.

11. Nekādā gadījumā neglabājiet piepildītu LP gāzes tvertni karstā automašīnā vai bagāžniekā. Karstums izraisīs gāzes spiediena palielināšanos, kā rezultātā var atvērties atslogošanas vārsts un izplūst gāze.
12. Nekādā gadījumā nemēģiniet piestiprināt šo barbekjū pie autofurgona treilera, dzīvojamā automobiļa vai mājas autonomās LP gāzes sistēmas.
13. Alkohola, recepšu vai bezrecepšu zāļu lietošana var pasliktināt ierīces lietotāja spēju pareizi samontēt vai droši lietot šo ierīci.
14. Nekādā gadījumā neizmantojiet šajā ierīcē ogles, degšķidrums, lavas akmeņus, benzīnu, parafīnu vai alkoholu.
15. Pārbaudiet, vai nav noplūdes, pat ja jūsu ierīci montēja kāds cits.
16. Nelietojiet ierīci, ja tai ir gāzes noplūde. Gāzes noplūde var izraisīt ugunsgrēku vai eksploziju.
17. Pirms darba sākšanas jums jāievēro visas noplūdes pārbaudes procedūras. Lai novērstu ugunsgrēka vai eksplozijas risku, pārbaudot noplūdi:
 - a. Pirms barbekjū aizdedzināšanas un katru reizi, kad tvertne tiek pievienota lietošanai, vienmēr veiciet noplūdes pārbaudi.
 - b. Nesmēķējiet. Veicot noplūdes pārbaudi, neturiet ierīces tuvumā aizdegšanās avotus.
 - c. Noplūdes testu veic ārā, labi vēdināmā zonā.
 - d. Lai pārbaudītu noplūdes, nelietojiet sērkokoņus, šķiltavas vai liesmu.
 - e. Nelietojiet barbekjū, kamēr nav novērsta visas noplūdes. Ja jūs nevarat novērst noplūdi, atvienojiet LP gāzes padevi.
18. Neglabājiet un nelietojiet benzīnu, citus viegli uzliesmojošus šķidrums vai tvaikus tuvāk par 8 m no šīs ierīces.
19. Neizmantojiet sprādzienbīstamā vidē. Uzturiet barbekjū zonu tīru un brīvu no viegli uzliesmojošiem materiāliem.
20. Vienmēr glabājiet visus viegli uzliesmojošos priekšmetus un virsmas vismaz 1 m attālumā no barbekjū. Nelietojiet šo barbekjū vai citas gāzes ierīces zem jebkāda veida jumtiem vai netālu no neaizsargātām, viegli uzliesmojošām konstrukcijām.
21. Ir ļoti svarīgi uzturēt barbekjū vārsta nodalījumu, degļus un gaisa ventilācijas vārstus tīrus. Pārbaudiet barbekjū pirms katras lietošanas.
22. Nekādā gadījumā nepārveidojiet barbekjū.

23. Nelietojiet barbekjū, kamēr tas nav PILNĪBĀ salikts un visas detaļas nav droši nostiprinātas un pievilktas.
24. Šis barbekjū ir regulāri jātīra un jāpārbauda. Pirms ierīces lietošanas vienmēr notīriet un pārbaudiet šļūteni. Ja ir nodiluma, nolietošanās, griezuma vai noplūdes pazīmes, pirms ierīces izmantošanas šļūtene ir jānomaina.
25. Izmantojiet tikai tās detaļas, kuras ir atzinis ražotājs. Jebkuras ražotāja neatzītas detaļas izmantošana var būt bīstama.
26. Nelietojiet šo ierīci, neizlasot šīs rokasgrāmatas sadaļu „Lietošanas instrukcijas”.
27. Lai izvairītos no apdegumiem, nepieskarieties barbekjū metāla daļām, kamēr tās nav pilnībā atdzisušas (apmēram 45 minūtes).
28. Gatavojot ēdienu, ugunsdzēsības iekārtām jābūt viegli pieejamām. Tāuku aizdegšanās gadījumā nemēģiniet uguni nodzēst ar ūdeni. Izmantojiet ABC tipa ķīmisko ugunsdzēsamo aparātu vai apslāpējiet liesmas ar zemi, smiltīm vai sodu.
29. Neuzstādi un nelietojiet ierīci laivās vai atpūtas transportlīdzekļos.
30. Nelietojiet barbekjū stipra vēja apstākļos.
31. Kad barbekjū ir iedegts, nekādā gadījumā neliecieties virs tā.
32. Neatstājiet iedegtu barbekjū bez uzraudzības, **BRĪDINĀJUMS!** nekādā gadījumā neļaujiet tam piekļūt bērniem un mājdzīvniekiem.
33. Nemēģiniet pārvietot barbekjū, kad to lietojat. Pirms barbekjū pārvietošanas vai novietošanas glabāšanai nogaidiet, līdz tas ir atdzisis.
34. Barbekjū var uzglabāt telpās TIKAI tad, ja tvertne ir atvienota, izņemta no barbekjū un pareizi uzglabāta ārpus telpām.
35. Barbekjū vāku vienmēr atveriet uzmanīgi un lēnām, jo zem tā iesprostotā karstuma un tvaiku dēļ pastāv risks gūt nopietnus apdegumus.
36. Nemēģiniet atvienot gāzes regulatoru no tvertnes vai jebkuras gāzes armatūras, kamēr tiek izmantots barbekjū.
37. Vienmēr novietojiet barbekjū uz cietas un līdzenas virsmas. Virsmām jābūt piemērotām, lai izturētu temperatūras pieaugumu par 50°C.
38. Ievērojiet īpašu piesardzību, novietojot ierīci uz koka klājuma.
39. Novietojiet gāzes šļūtenes pēc iespējas tālāk no karstām virsmām un pilošiem karstiem taukiem.

40. Visiem elektrības vadiem ir jābūt drošā attālumā no karstā barbekjū.
41. Nelietojiet barbekjū ēdiena gatavošanai telpās vai kā apkures elementu. Var uzkrāties toksiskie izgarojumi un izraisīt nosmakšanu.
42. Pēc uzglabāšanas un/vai neizmantošanas perioda pārbaudiet, vai nav noplūdes, degļa aizsprostojumu, kā arī vai šļūtene nav nodilusi, tai nav nolietojuma pazīmju un iegriezumus.
43. Neatverot vāku un aizdedzinot barbekjū degļus vai nenogaidot 5 minūtes, lai ļautu gāzei izkliedēties, ja barbekjū neiedegas, pastāv eksplozijas risks.
44. Ja barbekjū netiek izmantots, gāze ir jāizslēdz pie padeves tvertnes un regulatora.
45. Nekādā gadījumā nedarbiniet barbekjū, ja tam nav uzstādītas restes.
46. Neglabājiet rezerves LP gāzes tvertni zem šīs ierīces vai tās tuvumā.
47. Caurules jāmaina, ja to prasa dabiskie apstākļi. Izmantojiet norādīto veidu un garumu.
48. Novietojiet tvertni blakus barbekjū tā, lai šļūtene nesagrieztos.
49. Mainot LP propāna gāzes tvertni, pārliedzieties, ka neatrodieties aizdegšanās avota tuvumā.
50. Jebkāda veida ierīces pārveidošana var būt bīstama.
51. Ja jūs stingri neievērojat iepriekš minētos norādījumus un brīdinājumus, var rasties nāves, nopietnu traumu vai īpašuma bojājumu risks.

IERĪCES SPECIFIKĀCIJAS

IERĪCES KODS: X88-000010 / MODELIS: G2082	
KOPĒJĀ SILTUMA IEVADE (VISAS GĀZU KATEGORIJAS)	5,5 kW (400 g/h)
GĀZES KATEGORIJA	13B/P (30)
GĀZES VEIDI	PROPĀNA LP GĀZU MAISIJUMI
GĀZES SPIEDIENS	30 mBar
DEGLĀ IZMĒRS	GALVENAIS: 0,84 mm
IDENTIFIKĀCIJAS KODS	2575DM28150
BRĪDINĀJUMS: PIEJAMĀS DAĻAS VAR BŪT ĻŪTI KARSTAS. LŪDZU, NEĻAUJIET BĒRNIEM TĀM PIEKĻŪT. PIRMS IERĪCES LIETOŠANAS UZMANĪGI IZLASIET INSTRUKCIJU.	
LIETOŠANAI ĀRPUS TĒLPĀM UN LABI VENTILĒTĀS ZONĀS.	
AIZDEGŠANĀS GALVENAIS DEGLIS: VIENKĀRTĒJAS PIEZO AIZDEDES VIENĪBA. IZMANTOJAMĀ SPECIFISKĀ GĀZE: PROPĀNS (PIE 30 MBAR).	

IERĪCES KODS: X88-000020 / MODELIS: G9003B	
KOPĒJĀ SILTUMA IEVADE (VISAS GĀZU KATEGORIJAS)	8,4 kW (611 g/h)
GĀZES KATEGORIJA	13B/P (30)
GĀZES VEIDI	PROPĀNA LP GĀZU MAISIJUMI
GĀZES SPIEDIENS	30 mBar
DEGLĀ IZMĒRS	GALVENAIS: 0,82 mm
IDENTIFIKĀCIJAS KODS	2575DM28150
BRĪDINĀJUMS: PIEJAMĀS DAĻAS VAR BŪT ĻŪTI KARSTAS. LŪDZU, NEĻAUJIET BĒRNIEM TĀM PIEKĻŪT. PIRMS IERĪCES LIETOŠANAS UZMANĪGI IZLASIET INSTRUKCIJU.	
LIETOŠANAI ĀRPUS TĒLPĀM UN LABI VENTILĒTĀS ZONĀS.	
AIZDEGŠANĀS GALVENAIS DEGLIS: VIENKĀRTĒJAS PIEZO AIZDEDES VIENĪBA. IZMANTOJAMĀ SPECIFISKĀ GĀZE: PROPĀNS (PIE 30 MBAR).	

MONTĀŽA

GĀZES TVERTNES SAVIENOŠANA AR IERĪCI

Šī ierīce ir piemērota lietošanai tikai ar zema spiediena propāna gāzi (LPG maisījumiem), kas aprīkota ar piemērotu zema spiediena regulatoru caur elastīgu šļūteni. Šļūtene jāpiestiprina pie regulatora un ierīces ar šļūtenes spailēm. Šis barbekjū ir iestatīts darbam ar 30 mbar regulatoru ar LPG maisījumiem. Lūdzu, sazinieties ar savu LPG piegādātāju, lai iegūtu informāciju par gāzes tvertnei piemērotu regulatoru.

REGULATORS UN ŠĻŪTENE

Šīs vienības netiek piegādātas kopā ar barbekjū, tās var iegādāties pie jūsu aprīkojuma mazumtirgotāja vai pilnvarota LP gāzes piegādātāja. Izmantojiet tikai tādus regulatorus un šļūteni, kas ir piemēroti LP gāzei ar iepriekš minētajiem spiedieniem. Regulatora paredzamais darbmužs ir 10 gadi. Regulatoru ir ieteicams nomainīt 10 gadu laikā pēc izgatavošanas datuma. Nepiemērota regulatora vai šļūtenes izmantošana nav droša; pirms barbekjū izmantošanas vienmēr pārbaudiet, vai jums ir pareizie priekšmeti. Nodilusi vai bojāta šļūtene ir jānomaina. Pārliedzieties, ka šļūtene nav aizsprostota, saspiesta un nesaskaras ar kādu barbekjū daļu, izņemot tās savienojumu. Šļūtenei jāatbilst attiecīgajam valsts standartam, kurā tā tiek izmantota.

IERĪCES GLABĀŠANA

Iekārtas glabāšana telpās ir atļauta tikai tad, ja balons ir atvienots un izņemts no ierīces. Ja ierīce netiek lietota ilgu laiku, tā jāuzglabā oriģinālajā iepakojumā un sausā vidē, bez putekļiem.

GĀZES TVERTNE

LP gāzes tvertni nedrīkst nomest zemē vai rīkoties ar to nevērīgi! Ja ierīci nelieto, balonu ir jāatvieno. Pēc balona atvienošanas no ierīces uzlieciet balona aizsargvāciņu. Balonu jāuzglabā ārpus telpām vertikālā stāvoklī un bērniem nepieejamā vietā. Balonu nekādā gadījumā nedrīkst uzglabāt vietās, kur temperatūra var pārsniegt 50°C. Neglabājiet balonu liesmu, kontrolspuldžu vai citu uguns avotu tuvumā. NEMĒĶĒT.

Šis barbekjū ir paredzēts lietošanai ārpus telpām, drošā attālumā no viegli uzliesmojošiem materiāliem. Ir svarīgi, lai virs ierīces nav jumta vai cita veida šķēršļu un lai no ierīces sāna vai aizmugures līdz šķērslim ir vismaz 1 metrs. Ir svarīgi, lai ierīces ventilācijas atveres nebūtu aizsprostotas. Barbekjū jālieto uz līdzenas, stabilas virsmas. Ierīcei jābūt aizsargātai no tiešiem caurvējiem, un tā jānovieto vai jāaizsargā pret tiešu saskari ar ūdeni.

Lietotājs nedrīkst mainīt detaļas, kuras ir aizzīmogojis ražotājs vai viņa pārstāvis. Nedrīkst veikt jebkāda veida pārveidojumus jebkurai šī barbekjū daļai, un remonts un apkope jāuztic tikai pilnvarotam servisa inženierim.

SAVIEŅOJUMS AR IERĪCI

Pirms ierīces pievienošanas pārlicinieties, ka gāzes balona galviņā, regulatorā, degļu un degļu atverēs nav sakrājušies būvgruži. Zirnekļi un kukaiņi var ligzdot un aizsprostot degļa/Venturi cauruli pie atvēruma. Aizsērējis deglis var izraisīt ugunsgrēku ierīces apakšējā daļā. Pievienojiet šļūteni ierīcei, izmantojot uzgriežņu atslēgu, lai pievilktu to uz savienojuma vītnes. Ja šļūtene ir nomainīta, tā jāpiestiprina pie ierīces un regulatora savienojumiem ar šļūtenu spailēm. Kad barbekjū netiek izmantots, atvienojiet regulatoru no balona (atbilstoši norādījumiem, kas pievienoti regulatoram). Barbekjū jālieto labi vēdināmā vietā. Kad barbekjū tiek izmantots, nebloķējiet sadegšanas gaisa plūsmu uz degli. ŠO BARBEKJŪ ATĻAUTS IZMANTOT TIKAI ĀRPUS TELPĀM.

PIRMS LIETOŠANAS PĀRBAUDIET NOPLŪDES

Nekad nepārbaudiet noplūdes ar atklātu liesmu: vienmēr izmantojiet ziepjūdens šķīdumu.

LAI PĀRBAUDĪTU NOPLŪDES

Pagatavojiet 60-90 g noplūdes noteikšanas šķīduma, sajaucot vienu daļu mazgāšanas šķidrums ar 3 daļām ūdens. Pārlicinieties, ka regulētārvārsts ir izslēgtā pozīcijā „OFF”. Pievienojiet regulatoru pie balona un ON/OFF ieslēgšanas vārstu pie degļa, pārlicinieties, vai savienojumi ir droši, tad ieslēdziet gāzi. Ziepjū šķīdumu uzklāj uz šļūtenes un visiem savienojumiem. Ja parādās burbulji, ir noplūde, kas pirms lietošanas ir jānovērš. Pēc kļūdas novēršanas atkārtoti pārbaudiet. Pēc pārbaudes izslēdziet gāzi pie balona. Ja tiek konstatēta noplūde un to nevar novērst: nemēģiniet novērst noplūdi saviem spēkiem, bet sazinieties ar savu gāzes piegādātāju!

LIETOŠANAS INSTRUKCIJA

Salieciet barbekjū uzmanīgi, ievērojot norādījumus. Pievienojiet barbekjū gāzes šļūteni. Pievienojiet regulatoru šļūtenei. Pievienojiet regulatoru balona vārstam saskaņā ar regulatora instrukcijām, kas pievienotas regulatoram. Pirms ierīcei ieslēdzat gāzes padevi, pagrieziet visas vadības pogas izslēgtā pozīcijā „OFF”. Regulatoru darbiniet saskaņā ar instrukcijām, kas pievienotas regulatoram.

GRILA IEDEGŠANA

IEDEGŠANAS INSTRUKCIJA

MODELIS G2082 / X88-000010

1. Atveriet vāku.
2. Pagrieziet visus slēdzus pulksteņrādītāja virzienā „OFF” pozīcijā.
3. Savienojiet gāzes regulatoru ar gāzes balonu un ierīci. Pagrieziet gāzes padeves slēdzi uz „ON”. Pārbaudiet iespējamo gāzes noplūdi starp balonu un regulatoru, izmantojot ziepjūdeni.
4. Nospiediet kreisās puses slēdzi un pagrieziet pretpulksteņrādītājrīvirzienā līdz pozīcijai „FULL RATE”, tajā pašā laikā piespiežot aizdedzes pogu

4 vai 5 reizes. Tas iedegs degli. Pārbaudiet, vai viss kārtīgi deg. Ja nē, atkārtojiet šo procesu.

5. Ja deglis joprojām neaizdedzas, pagaidiet 5 minūtes un atkārtojiet 3. Soli.
6. Regulējiet karstumu, izmantojot slēdzi un atstājot to High / Low pozīcijā.
7. Ja deglis neiedegas, iededziet to ar sērkokciņu, izmantojot aizdedšanas caurumu iekārtas sātā.
8. Lai iedegtu labās puses degli, pagrieziet labās puses slēdzi līdz galam. Tas iedegs kreisās puses degli. Vienmēr sāciet grila aizdedšanu ar kreisās puses degli un pēc tam aizdedzies labo.
9. Lai izslēgtu grilu aizgrieziet gāzes balona ventili, tad pagrieziet iekārtas slēdzus pulksteņrādītāja virzienā līdz „OFF” pozīcijai.

MODELIS G9003B / X88-000020

1. Atveriet pārsegu.
2. Pagrieziet visus slēdzus pulksteņrādītāja virzienā „OFF” pozīcijā.
3. Savienojiet gāzes regulatoru ar gāzes balonu un ierīci. Pagrieziet gāzes padeves slēdzi „ON” pozīcijā. Pārbaudiet iespējamo gāzes noplūdi starp balonu un regulatoru, izmantojot ziepjūdeni.
4. Nospiediet otro vadības pogu, kas identificējama ar zibens simbolu (⚡), un tajā pašā laikā pagrieziet to uz "HI". To darot, aizdedzei vajadzētu dzirkstelēt un iedegt galveno degli.
5. Jūs varat iedegt pārējos degļus, kad galvenā degļa signāla (⚡) lampiņa ir iedegusies.
6. Ja aizdedšanas process nedarbojas, pagrieziet slēdzi "OFF" pozīcijā, brīdi uzgaidiet un atkārtojiet 4. darbību.
7. Izmantojot vadības pogu, noregulējiet liesmu vēlamajā stiprumā.
8. Lai izslēgtu bārbekjū, izslēdziet gāzes padevi vai regulatoru un pagrieziet visus vadības slēdzus pozīcijā "OFF".

UZMANĪBU: Ja deglis neiedegas, izslēdziet slēdzus (pulksteņrādītāja virziens) un aizgrieziet arī gāzes balona ventili. Uzgaidiet piecas minūtes, līdz nākamajai aizdedšanai.

TĪRĪŠANA UN APKOPE

UZMANĪBU: Visa tīrīšana un apkope ir jāveic, kad barbekjū ir atdzisis un gāzes padeve ir izslēgta pie gāzes balona.

TĪRĪŠANA

„Dedzinot” barbekjū pēc katras lietošanas reizes (apmēram 15 minūtes), ēdiena atliekas tiks notīrītas līdz minimumam.

ĀRĒJĀ VIRSMA

Izmantojiet maigu mazgāšanas līdzekli vai sodas un karstā ūdens šķīdumu. Noturīgu traipu tīrīšanai var izmantot neabrazīvu mazgāšanas pulveri, pēc tam noskalojiet to ar ūdeni. Ja barbekjū vāka iekšējai

virsmai šķietami lobās krāsa, uz tā ir izveidojusies tauku kārtā, kas tagad ir sadegusi un atslāņojas. Rūpīgi notīriet to ar stipru karstā ziepjūdens šķīdumu. Noskalojiet ar ūdeni un ļaujiet pilnībā izžūt. NEKĀDĀ GADĪJUMĀ NELIETOJIET KRĀSNIJ PAREDZĒTOS TĪRĪŠANAS LĪDZEKĻUS.

BARBEKJŪ BĀZES IEKŠPUSE

Noņemiet atlikumus, izmantojot suku, skrāpjus un/vai tīrīšanas paliktni, pēc tam mazgājiet ar ziepjūdens šķīdumu. Noskalojiet ar ūdeni un ļaujiet pilnībā izžūt.

REŽĪSIS ĒDIENA PAGATAVOŠANAI

Izmantojiet maigu ziepjūdens šķīdumu. Noturīgu traipu tīrīšanai var izmantot neabrazīvu mazgāšanas pulveri, pēc tam noskalojiet ar ūdeni.

DEGLŪ TĪRĪŠANA

Ar vadības pogu izslēdziet gāzi un atvienojiet balonu. Noņemiet atdzēsēto režģi. Notīriet degli ar mīkstu suku vai notīriet ar saspīestu gaisu un noslaukiet ar drānu. Notīriet visas aizsērējušās atveres ar cauruļu tīrītāju vai stingru vadu (piemēram, ar atvērtu saspraudī). Pārbaudiet, vai deglis nav bojāts (plaisas vai atveres). Ja tiek konstatēti bojājumi, nomainiet to ar jaunu degli. No jauna uzstādiet degli, pārbaudiet, vai gāzes vārsta atveres ir pareizi novietotas un nostiprinātas degļa iekšējās atverē (Venturi caurule).

TEHNISKĀ APKOPE

Jūsu gāzes barbekjū katru gadu ir jāveic tehniskā apkope, kas jāuztic kompetentam un reģistrētam speciālistam.

VIDE

Kad šis produkts sasniedz tā ekspluatācijas darbmuža beigas, nododiet to savākšanas punktā, kas pārstrādā elektriskās un elektroniskās iekārtas. Lūdzu, skatiet uz produkta, lietotāja instrukcijās vai uz iepakojuma norādītos simbolus. Lai iegūtu jūsu reģionā esošā attiecīgā savākšanas punkta adresi, sazinieties ar savu pašvaldību.

LTU GRILIS

SVARBU:

- Atidzīai perskaitykite šias instrukcijas ir įsitikinkite, kad jūsų kepsninė tinkamai sumontuota, surinkta ir prižiūrėta. Nesilaikymas šių nurodymų gali privesti prie rimtos kūno traumos ir (arba) materialinės žalos. IŠSAUGIKITE NUORODAI ATEITYJE.
- Jei turite klausimų dėl šio gaminio surinkimo ar naudojimo, pasitarkite su pardavėju arba suskystintų dujų tiekėju.
- Įsitikinkite, kad prietaisas ir dujų balionas yra pastatyti ant lygaus paviršiaus, kai jie yra naudojami ant žemės.

- Niekada neuždekite prietaiso su uždaru GAUBTU.
- Niekada neuždekite ir nenaudokite šoninio degiklio su uždaru gaubtu.
- Jūsų kepsninę galima naudoti su 6–11 kg talpos dujų cilindru.
- Uždegant kepsninę, reikia griežtai laikytis šio atstumo:
- Prietaiso šonai ir užpakalinė dalis: 1 metras nuo bet kokių kliūčių.
- Virš prietaiso: DRAUDŽIAMI BET KOKIE STOGELIAI.
- NAUDOKITE TIK LAUKE.
- **ĮSPĖJIMAS:** PRIEINAMOS DALYS GALI BŪTI LABAI KARŠTOS. PRAŠOME LAIKYTI JAUNUS VAIKUS ATOKIAU.
- NEKEISKITE PRIETAISO VIETOS GAMINIMO METU.

JEI UŽUOŠITE DUJAS

- Uždarykite kepsninės dujų įleidimo angą
- Užgesinkite bet kokią atvirą liepsną
- Atidarykite dangtį
- Jei kvapas išlieka, laikykitės atokiau nuo prietaiso ir nedelsdami kreipkitės į dujų tiekėją arba priešgaisrinę tarnybą.
- Nelaikykite propano suskystintų dujų baliono iki 4 m atstumu nuo šio prietaiso.
- Nelaikykite ir nenaudokite benzino ar kitų skysčių su degiais garais iki 8 m atstumu nuo šio / kito panašaus prietaiso.
- Dujų balionai (neprijungti naudojimui) niekada neturėtų būti laikomi šalia šio / bet kurio kito panašaus prietaiso.

ĮSPĖJIMAI

1. Ši kepsninė skirta naudoti tik lauke ir neturėtų būti naudojama pastate, garaže ar kitose uždaroje patalpose.
2. Ši kepsninė NĖRA komerciniam naudojimui.
3. Ši kepsninė turi būti naudojama tik su propano DUJŲ MIŠINIU. Gamtinių dujų naudojimas arba šio produkto perdirbimas yra pavojinga naudoti.
4. Dujų charakteristikos:
 - a. Netinkamai naudojant dujas yra degios ir pavojingos. Atidžiai perskaitykite specifikacijas prieš naudodami bet kokius dujų produktus.
 - b. Dujos yra sprogios esant slėgiui, sunkesnės už orą ir nusėda telkiniuose žemose vietose.
 - c. Natūralios būsenos dujos neturi kvapo. Saugumo sumetimais dedamas kvapiklis, kuris kvėpia supuvusiais kopūstais.
 - d. Susilietus su dujomis, oda gali nudegti.
5. Ant dujų baliono turi būti vožtuvas.
6. Norėdami apsaugoti baliono vožtuvą, dujų balionas turi būti su apykakle.

7. Niekada nenaudokite propano dujų baliono su pažeistu korpusu, vožtuvu, apykakle arba pagrindu.
8. Įlenkti ar surūdiję dujų balionai gali būti pavojingi, todėl prieš naudojimą jos turėtų patikrinti jūsų dujų tiekėjas.
9. Dujų baliono negalima mesti ar elgtis su jo šiuurkščiai.
10. Dujų balionas turi būti laikomas lauke, vaikams nepasiekiamoje vietoje, jo negalima laikyti pastate, garaže ar kitoje uždaroje patalpoje. Dujų baliono niekada negalima laikyti ten, kur temperatūra gali viršyti 50°C.
11. Niekada nelaikykite užpildyto dujų baliono karštame automobilyje ar bagažinėje. Dėl šilumos padidės dujų slėgis, kuris gali atidaryti apsauginį vožtuvą ir leisti dujoms ištekėti.
12. Niekada nebandykite pritvirtinti šios kepsninės prie kemperio, namelio ant ratų ar namo dujų sistemos.
13. Alkoholio, receptinių ar nereceptinių vaistų vartojimas gali pakenkti vartotojo galimybei tinkamai surinkti ar saugiai valdyti šį prietaisą.
14. Niekada su šiuo produktu nenaudokite anglies, žiebtuvėlių skysčio, lavos uolienu, benzino, parafino ar alkoholio.
15. Patikrinkite, ar nėra nuotėkio, net jei jūsų įrenginį surinko kažkas kitas.
16. Nenaudokite gaminio, jei iš jo teka dujos. Dujų nutekėjimas gali sukelti gaisrą ar sprogimą.
17. Prieš pradėdami naudoti, turite atlikti visas nuotėkio tikrinimo procedūras. Kaip išvengti gaisro ar sprogimo pavojaus bandydami patikrinti dėl nuotėkio:
 - a. Visada atlikite nuotėkio testą prieš uždegdami kepsninę ir kiekvieną kartą, kai balionas yra prijungtas naudojimui.
 - b. Nerūkykite. Atlikdami patikrinimą, laikykitės atokiau nuo uždegimo šaltinių.
 - c. Nuotėkio testą atlikite lauke, gerai vėdinamoje vietoje.
 - d. Nenaudokite nuotėkio patikrinimui degtukų, žiebtuvėlių ar liepsnos.
 - e. Nenaudokite kepsninės, kol nepašalinsite visų nuotėkių. Jei negalite pašalinti nuotėkio, atjunkite dujų tiekimą.
18. Nelaikykite ir nenaudokite benzino, kitų degių skysčių ar garų 8 m atstumu nuo šio prietaiso.
19. Nenaudokite sprogioje aplinkoje. Kepsninės vietą laikykite švarią ir be degių medžiagų.
20. Visus degius daiktus ir paviršius visada laikykite mažiausiai 1 m atstumu nuo kepsninės. Nenaudokite šios kepsninės ar

dujų produktų po bet kokia viršutine danga ar šalia neapsaugotų degių konstrukcijų.

21. Svarbu, kad kepsninės vožtuvo skyrius, degikliai ir cirkuliuojančios oro angos būtų švarios. Prieš kiekvieną naudojimą patikrinkite kepsninę.
22. Jokių būdu nieko ant kepsninės nepakeiskite.
23. Nenaudokite kepsninės iki tol, kol ji yra VISIŠKAI surinkta ir visos dalys yra tvirtai pritvirtintos ir priveržtos.
24. Ši kepsninė turėtų būti reguliariai kruopščiai išvalyta ir patikrinta. Prieš naudodami prietaisą, visada išvalykite ir patikrinkite žarną. Jei yra įbrėžimų, susidėvėjimo, įpjovimų ar nuotėkio požymių, prieš pradėdami naudoti prietaisą, žarna turi būti pakeista.
25. Naudokite tik gamykloje patvirtintas dalis. Bet kurios dalies, kuriai nėra suteiktas gamyklos patvirtinimas, naudojimas gali būti pavojingas.
26. Nenaudokite šio prietaiso, neperskaitę šio vadovo skyriaus „Naudojimo instrukcijos“.
27. Kad išvengtumėte nudegimų, nelieskite metalinių kepsninės dalių, kol jos visiškai neatvės (apie 45 min.).
28. Gaminant maistą, gaisro gesinimo įranga turėtų būti lengvai prieinama. Kilus riebalų gaisrui, nebandykite jo gesinti vandeniu. Naudokite ABC tipo cheminį gesintuvą arba užgniauzkite liepsną purvu, smėliu arba soda.
29. Nemontuokite ir nenaudokite valtyse ar poilsio transporto priemonėse.
30. Nenaudokite kepsninės esant stipriam vėjui.
31. Niekada nesilenkite virš kepsninės, kai ją uždegate.
32. Nepalikite uždegtos kepsninės be priežiūros, **ĮSPĖJIMAS!** Visada laikykite vaikus ir naminius gyvūnus atokiau nuo kepsninės.
33. Nebandykite perkelti kepsninę, kai ją naudojate. Prieš išardymą ar sandėliavimą, leiskite kepsninei atvėsti.
34. Kepsninė galima laikyti patalpoje TIK, jei dujų balionas yra atjungtas, pašalintas nuo kepsninės ir tinkamai laikomas lauke.
35. Visada atsargiai ir lėtai atidarykite kepsninės dangtį, nes po jo esanti šiluma ir garai gali jūsų odą stipriai nudeginti.
36. Nebandykite atjungti dujų regulatoriaus nuo baliono ar bet kokios dujų armatūros, kol kepsninė naudojama.
37. Kepsninę visada padėkite ant kieto ir lygaus paviršiaus. Paviršiai turi atlaikyti 50°C temperatūros pakilimą.
38. Būkite ypač atsargūs su mediniais paviršiais.
39. Laikykite dujų žarnas kuo toliau nuo karštų paviršių ir lašančių karštų riebalų.

40. Laikykitė visus elektros laidus atokiau nuo karštos kepsninės.
41. Nenaudokite kepsninės maisto gaminimui ar šildymui namuose. Toksiški garai gali kauptis ir sukelti asfiksiją.
42. Po tam tikro laikymo ir (arba) nenaudojimo patikrinkite, ar nėra nuotėkių, degiklio kliūčių ir ar nėra žarnos įbrėžimų, nusidėvėjimo ir įpjovimų.
43. Galite sukelti sprogstančią liepsną, jei dangtis neatidaromas, kai kepsninės degikliai įjungiami, arba jei nelaukiama 5 minučių, kol dujos išsiskirs, kai kepsninė neužsidega.
44. Kai kepsninė nenaudojama, dujos turi būti uždarytos prie rezervuaro ir regulatoriaus.
45. Niekada nenaudokite kepsninės be sumontuotų kaitinimo plokščių.
46. Nelaikykitė atsarginių dujų balionų po šiuo prietaisu ar šalia jo.
47. Žarnos turi būti pakeistos, kai to reikalauja natūralios sąlygos. Naudokite nurodytą tipą ir ilgį.
48. Dujų balioną pastatykite prie kepsninės taip, kad žarna nebūtų susukta ir nesusisuktu.
49. Keisdami propano dujų balioną, įsitikinkite, kad stovite atokiau nuo bet kokio uždegimo šaltinio.
50. Bet kokie prietaiso pakeitimai gali būti pavojingi.
51. Mirtis, sunkūs sužalojimai ar žala turtui gali kilti kaip pasekmės, jei griežtai nesilaikysite aukščiau nurodytų instrukcijų ir įspėjimų.

PRODUKTO SPECIFIKACIJOS

PRIETAISO KODAS: X88-000010 / MODELIS: G2082	
VISAS ŠILUMOS ĮVADAS (VISOS DUJŲ KATEGORIJS)	5,5 kW (400 g/h)
DUJŲ KATEGORIJA	I3B/P (30)
DUJŲ RŪŠYS	PROPANO LP DUJŲ MISHINIAI
DUJŲ SLĖGIS	30 mBar
INJEKTORIAUS DYDIS	MAIN: 0,84 mm
IDENTIFIKAVIMO KODAS	2575DM28150
ISPĖJIMAS: PRIENAMOS DALYS GALI BŪTI LABAI KARŠTOS. LAIKYKITE JAUNUS VAIKUS ATOKIAU. PRIES NAUDOJIMĄ PERSKAITYKITE INSTRUKCIJAS.	
NAUDOJIMUI LAUKE IR GERAI VĒDINAMOSE VIETOSE.	
UŽDEGIMAS PAGRINDINIS DEGIKLIS: VIENKARTINIS PIEZO UŽDEGIMO MAZGAS. KONKREČIOS NAUDOJAMOS DUJOS: PROPANAS (ESANT 30 mBar).	

PRIETAISO KODAS: X88-000020 / MODELIS: G9003B	
VISAS ŠILUMOS ĮVADAS (VISOS DUJŲ KATEGORIJS)	8,4 kW (611 g/h)
DUJŲ KATEGORIJA	I3B/P (30)
DUJŲ RŪŠYS	PROPANO LP DUJŲ MISHINIAI
DUJŲ SLĖGIS	30 mBar
INJEKTORIAUS DYDIS	MAIN: 0,82 mm
IDENTIFIKAVIMO KODAS	2575DM28150
ISPĖJIMAS: PRIENAMOS DALYS GALI BŪTI LABAI KARŠTOS. LAIKYKITE JAUNUS VAIKUS ATOKIAU. PRIES NAUDOJIMĄ PERSKAITYKITE INSTRUKCIJAS.	
NAUDOJIMUI LAUKE IR GERAI VĒDINAMOSE VIETOSE.	
UŽDEGIMAS PAGRINDINIS DEGIKLIS: VIENKARTINIS PIEZO UŽDEGIMO MAZGAS. KONKREČIOS NAUDOJAMOS DUJOS: PROPANAS (ESANT 30 mBar).	

MONTAVIMAS

DUJŲ BALIONO PRIJUNGIMAS PRIE PRIETAISO

Šis prietaisas tinka naudojimui tik su žemo slėgio propano dujomis (mišiniais), pritaikytas su atitinkamu žemo slėgio reguliatoriumi per lanksčią žarną. Žarna turi būti pritvirtinta prie regulatoriaus ir prietaisas su žarnų spaustukais. Ši kepsninė nustatyta darbui su 30 mbar reguliatoriumi dujų mišiniais. Norėdami sužinoti informacijos apie tinkamą reguliatorių dujų balionui, prašome kreiptis į savo dujų platintoją.

REGULIATORIUS IR ŽARNA

Šiuos gaminius kartu su kepsnine nebūna pateikiami, juos galite įsigyti pas savo įrangos mažmenininką arba įgaliotą dujų tiekėją. Naudokite tik aukščiau nurodytus reguliatorius ir žarnas, patvirtintas tinkamam dujų spaudimui. Apskaičiuota, kad regulatoriaus gyvenimo trukmė yra 10 metų. Rekomenduojama, kad reguliatorius būtų pakeistas per 10 metų nuo pagaminimo datos.

Netinkamo regulatoriaus ar žarnos naudojimas yra nesaugus; prieš pradėdami naudoti kepsninę, visada patikrinkite, ar turite tinkamų gaminių. Susidėvėjusią ar pažeistą žarną būtina pakeisti. Įsitikinkite, kad žarna nėra užkimšta, sulenкта ir nesiliečia su jokia kepsninės dalimi, išskyrus jos prijungimo vietą. Naudojama žarna turi atitikti šalies, kurioje naudojate, atitinkamiems standartams.

PRIETAISO LAIKYMAS

Prietaisą laikyti patalpoje leidžiama tik atjungus cilindrą ir pašalinus jį nuo prietaiso. Kai prietaisas nenaudojamas ilgą laiką, jis turėtų būti laikomas originalioje pakuotėje ir sausoje bei nedulkėtoje aplinkoje.

DUJŲ BALIONAS

Dujų balioną negalima mesti ar elgtis su juo šiurkščiai! Jei prietaisas nenaudojamas, cilindras turi būti atjungtas. Atjungę cilindrą nuo prietaiso, uždėkite apsauginį cilindro dangtelį. Balionai turi būti laikomi lauke vertikaliai ir vaikams nepasiekiamoje vietoje. Baliono niekada negalima laikyti ten, kur temperatūra gali viršyti 50°C. Nelaikykitė cilindro šalia liepsnos, kontrolinių žibintų ar kitų uždegimo šaltinių. **NERŪKYTI.**

Ši kepsninė skirta naudojimui lauke, atokiau nuo degių medžiagų. Svarbu tai, kad nebūtų jokių kliūčių virš galvos ir kad nuo prietaiso šono ar galo būtų 1 metras minimalus atstumas. Svarbu, kad nebūtų užkimštos prietaiso ventilacijos angos. Kepsninę reikia naudoti ant lygaus, stabilaus paviršiaus. Prietaisą reikia apsaugoti nuo tiesioginių skersvėjų ir jis turi būti pastatytas arba apsaugotas nuo tiesioginio kontakto su bet kokia vandens srove. Vartotojas negali keisti dalių, kurias užplombuoja gamintojas arba jo atstovas. Jokių modifikacijų Bet kurioje šios kepsninės dalyje remontą ir priežiūrą turi atlikti tik įgaliotas techninės priežiūros atstovas.

PRIJUNGIMAS PRIE PRIETAISO

Prieš prijungdami prietaisą įsitikinkite, kad dujų baliono galvutėje, reguliatoriuje, degiklyje ir degiklio angoje jokių šiukšlių nėra. Vorai ir vabzdžiai gali sudaryti lizdą viduje ir užkimšti degiklio / Venturi vamzdelio atidarymo angą. Užsikimšęs degiklis gali sukelti gaisrą apatinėje prietaiso dalyje. Pritvirtinkite žarną prie prietaiso veržliarakčiu, kad pritvirtintumėte ją prie jungiamojo sriegio. Pakeitus žarną, ji turi būti pritvirtinta prie prietaiso ir regulatoriaus jungimo žarnos spaustukais. Kai kepsninė nenaudojama, atjunkite reguliatorių nuo dujų baliono (pagal instrukcijas, pateiktas su reguliatoriumi). Kepsninę reikia naudoti gerai vėdinamoje vietoje. Neužblokuokite degimo oro srauto į degiklį, kai kepsninė yra naudojama. **NAUDOKITE ŠIĄ KEPSNINĘ TIK LAUKE. PRIEŠ NAUDOJANTIS PATIKRINKITE NUTEKĖJIMĄ** Niekada netikrinkite nuotėkio kai yra atvira liepsna: visada naudokite muiluoto vandens tirpalą.

NUOTĖKIO TIKRINIMAS

Sumaišykite vienos dalies plovimo skysčio su 3 dalimis vandens, kad gautumėte 200 – 300 ml nuotėkio aptikimo tirpalo. Įsitikinkite, kad valdymo vožtuvas yra įjungtas ant „OFF“. Prijunkite reguliatorių prie baliono ir ON / OFF vožtuvą prie degiklio, įsitikinkite, kad jungtys yra saugi, tada įjunkite dujas. Muiluotą tirpalą užtepkite ant žarnos ir visų jungčių. Jei atsiranda burbuliukų, turite nutekėjimą, kurį prieš naudojimą reikia ištaisyti. Patikrinkite nutekėjimą dar kartą kai gedimas yra ištaisytas. Po bandymo išjunkite dujas prie cilindro. Jei aptinkamas nuotėkis ir jo pašalinti nepavyksta: nebandykite pašalinti nuotėkio ir susisieki su savo pardavėju!

NAUDOJIMO INSTRUKCIJA

Atidžiai surinkite kepsninę, laikydamiesi instrukcijų. Prijunkite dujų žarną prie kepsninės. Prijunkite reguliatorių prie žarnos. Prijunkite reguliatorių prie cilindro vožtuvo pagal regulatoriaus instrukcijas, pateiktas kartu su reguliatoriumi. Prieš įjungdami dujų tiekimą į prietaisą, pasukite visas valdymo rankenėles į padėtį „OFF“. Valdykite reguliatorių pagal instrukcijas, pateiktas su reguliatoriumi.

JŪSŲ BARBEKIU UŽKŪRIMAS (PAGRINDINIS DEGIKLIS) UŽKŪRIMO INSTRUKCIJOS

MODELIS G2082 / X88-000010

1. Atidarykite gaubtą.
2. Pasukite visas valdymo rankenėles pagal laikrodžio rodyklę į padėtį „OFF“.
3. Prijunkite dujų reguliatorių prie dujų baliono ir prietaiso. Pasukite dujų baliono rankenėlę į „ON“ padėtį. Naudodami muiluotą vandenį patikrinkite, ar nėra dujų nuotėkio tarp butelio ir dujų regulatoriaus.
4. Įspauskite kairiąją rankinę rankenėlę ir pasukite ją prieš laikrodžio rodyklę į padėtį „FULL RATE“, 4 ar

5 kartus paspausdami pjezo uždegimo mygtuką. Tai uždegs degiklį. Stebėkite, ar degiklis užsidegė. Jei ne, pakartokite šį procesą.

5. Jei degiklis neužsidegė po pakartotinio bandymo, palaukite 5 minutes ir pakartokite 3 veiksmą.
6. Sureguliuokite šilumą pasukdami rankenėlę į aukštą / žemą padėtį.
7. Jei degiklis neužsidega, uždegkite prietaisą degtukais, naudodamiesi apšvietimo anga prietaiso šone.
8. Norėdami uždegti dešinės pusės degiklį, pasukite dešinės rankos rankenėlę į viso greičio padėtį, jis užsidegs kairiajame degiklyje. Visada užkurkite prietaisą pradėdami nuo kairiojo degiklio iki dešinės pusės.
9. Norėdami išjungti barbekiu: Užsukite dujų baliono vožtuvą ir pasukite prietaiso valdymo rankenėles pagal laikrodžio rodyklę į „OFF“ padėtį.

MODELIS G9003B / X88-000020

1. Atidarykite gaubtą.
2. Pasukite visas valdymo rankenėles pagal laikrodžio rodyklę į padėtį „OFF“.
3. Prijunkite dujų reguliatorių prie dujų baliono ir prietaiso. Pasukite dujų baliono rankenėlę į „ON“ padėtį. Naudodami muiluotą vandenį patikrinkite, ar nėra dujų nuotėkio tarp butelio ir dujų reguliatoriaus.
4. Paspauskite antrąjį valdymo mygtuką, kuris yra pažymėtas žaibas simboliu (⚡), ir tuo pačiu metu pasukite jį į „HI“. Tai darydamas, uždegimas turėtų įsijiebtį ir uždegti pagrindinį degiklį.
5. Galite uždegti kitus degiklius, kai užsidega pagrindinio degiklio signalo (⚡) lemputė, rodanti, kad jis įjungtas.
6. Jei uždegimo procesas neveikia, pasukite rankenėlę į padėtį „OFF“, šiek tiek palaukite ir pakartokite 4 žingsnį.
7. Valdymo rankenėle sureguliuokite norimą liepsną.
8. Norėdami išjungti kepsninę, nedelsdami išjunkite dujas ar reguliatorių ir paskui pasukite visas valdymo rankenėles į padėtį "OFF".

ĮSPĖJIMAS: Jei degiklis neužsidega, pasukite valdymo rankenėlę (pagal laikrodžio rodyklę) ir išjunkite dujų baliono vožtuvą. Palaukite penkias minutes, kol bandysite naują uždegimo seką.

VALYMAS IR PRIEŽIŪRA

PASTABA: Visi valymo ir priežiūros darbai turėtų būti atliekami, kai kepsninė yra atvėsusi ir sausa, o dujų tiekimas išjungtas prie dujų baliono.

VALYMAS

„Deginant“ kepsninę po kiekvieno naudojimo (maždaug 15 minučių), maisto produktų likučių perteklius pasidarys minimalus.

IŠORINIS PAVIRŠIUS

Naudokite švelnų ploviklį arba soda ir karšto vandens tirpalą. Ant sunkiai įveikiamų dėmių gali būti naudojami nešviečiantys šveitimo milteliai, po to reikėtų nuplauti vandeniu. Jei ant kepsninės dangtelio vidinio paviršiaus atsilupę dažai, tai reiškia kad kepant ant riebalų kaupiasi anglis ir nuo to pleiskanoja. Kruopščiai nuvalykite stipriu muiluotu vandeniu. Nuplaukite vandeniu ir leiskite visiškai išdžiūti. NIEKADA NENAUDOKITE ORKAITĖS VALIKLIO.

KEPSNINĖS PAGRINDAS

Pašalinkite likučius šepėčiu, grandikliu ir (arba) valymo pagalvėlėmis, tada plaukite muiluoto vandens tirpalu. Nuplaukite vandeniu ir leiskite nudžiūti.

GROTELĖS

Naudokite švelnų muiluoto vandens tirpalą. Ant sunkiai įveikiamų dėmių gali būti naudojami nešviečiantys šveitimo milteliai, po to reikėtų nuplauti vandeniu.

DEGIKLIO VALYMAS

Valdymo rankenėle išjunkite dujas ir atjunkite cilindrą. Nuimkite atvėsusias groteles. Degiklį nuvalykite minkštu šepetėliu arba nupuskite suspaustu oru ir nuvalykite šluoste. Nuvalykite visas užsikimšusias angas vamzdžių valikliu arba standžia viela (pvz., išlankstyta sąvaržėle). Patikrinkite, ar degiklyje nėra pažeidimų (trūkimų ar skylių). Jei nustatoma žala, pakeiskite nauju degikliu. Įstatykite degiklį iš naujo, patikrinkite, ar dujų vožtuvo angos yra tinkamai įstatyti ir pritvirtinti degiklio įleidimo angos (venturi) viduje.

APTARNAVIMAS

Jūsų dujinę kepsninę turėtų kasmet prižiūrėti kompetentingas ir registruotas specialistas.

APLINKA

Kai baigiasi šio gaminio tarnavimo laikas, pristatykite jį perdirbti į elektrinės ir elektroninės įrangos surinkimo punktą. Žr. simbolius ant gaminio, naudojimo instrukcijoje arba ant pakuotės. Arčiausiai esančio atitinkamo surinkimo punkto adresu teiraukitės savivaldybėje.

ŽAR

POMEMBNO:

- Natančno preberite naslednja navodila in se prepričajte, da je vaš žar pravilno nameščen, sestavljen in oskrbovan. Neupoštevanje teh navodil lahko povzroči hude telesne poškodbe in / ali materialno škodo. HRANITI ZA PRIHODNJE REFERENCE.
- Če imate kakršna koli vprašanja v zvezi s sestavljanjem ali delovanjem tega izdelka,

se posvetujte s svojim prodajalcem ali dobaviteljem UNP.

- Prepričajte se, da naprava in plinski rezervoar stojijo na ravni površini, kadar jih uporabljate na tleh.
- Naprave nikoli ne prižigajte s pokrovom v zaprtem položaju.
- Nikoli ne prižigajte in ne uporabljajte stranskega gorilnika s pokrovom v zaprtem položaju.
- Žar lahko uporabljate na plinskem rezervoarju teže od 6 do 11 kg.
- Pri prižiganju žara je treba dosledno upoštevati naslednje:
- Strani in zadnji del naprave: 1 meter od ovir.
- Nad napravo: PREDMETI NISO DOVOLJENI.
- UPORABLJATI SAMO ZUNAJ.
- **OPOZORILO:** DOSTOPNI DELI SO LAHKO ZELO VROČI. MAJHNI OTROCI NAJ SE NE PRIBLIŽUJEJO NAPRAVI.
- NE PREMKAJTE NAPRAVE MED PEČENJEM.

ČE VONJATE PLIN

- Zaprite dovod plina za žar.
- Pogasite kakršen koli odprt plamen.
- Odprite pokrov.
- Če vonj ne preneha, stopite stran od naprave in takoj pokličite dobavitelja plina ali gasilce.
- Ne shranjujte jeklenke za propan z utekočinjenim naftnim plinom manj kot 4 m od naprave.
- Ne shranjujte in ne uporabljajte bencina ali drugih tekočin z vnetljivimi hlapi v razdalji 8 m od te / ali katere koli druge podobne naprave.
- Rezervoarjev za plin - (niso priključeni za uporabo) nikoli ne shranjujte v bližini te / ali katere koli druge podobne naprave.

OPOZORILA

1. Ta žar je namenjen samo za zunanjo uporabo in se ga ne sme uporabljati v stavbi, garaži ali v katerem koli drugem zaprtem prostoru.
2. Ta žar NI za komercialno uporabo.
3. Ta žar je dovoljeno uporabljati samo s propan UNP mešanico. Uporaba zemeljskega plina ali pretvorba takega izdelka, je nevarna.
4. Značilnosti utekočinjenega naftnega plina (UNP):
 - a. UNP je vnetljiv in ob nepravilnem ravnanju nevaren. Pred uporabo katerega koli UNP natančno preberite specifikacije.
 - b. UNP je pod pritiskom eksploziven, težji od zraka in se naseli v bazenih na nizkih območjih.

- c. UNP v naravnem stanju nima vonja. Zaradi varnosti je dodan vonj, ki diši po gnilem zelju.
- d. Stik z UNP lahko povzroči ozeblino kože.
5. Rezervoar za plin mora biti pritrjen z ventilom rezervoarja.
 6. Rezervoar za plin mora biti opremljen z obročem rezervoarja za zaščito ventila rezervoarja.
 7. Nikoli ne uporabljajte rezervoarja s poškodovanim ohišjem, ventilom, obročem ali podstavkom.
 8. Ukrivljeni ali zarjaveli rezervoarji z utekočinjenim naftnim plinom so lahko nevarni in jih mora pred uporabo preveriti dobavitelj plina.
 9. Rezervoarja za plin ne smete spustiti ali z njim ravnati grobo.
 10. Rezervoar za plin mora biti shranjen na prostem, izven dosega otrok in ne sme biti shranjen v stavbi, garaži ali drugem zaprtem prostoru. Rezervoarja za plin nikoli ne shranjujte tam, kjer lahko temperature dosežejo več kot 50°C.
 11. Napolnjenega rezervoarja za plin nikoli ne imejte v vročem avtu ali prtljajniku. Zaradi vročine se bo tlak plina povečal, kar lahko odpre varnostni ventil in plin začne puščati.
 12. Tega žara nikoli ne poskušajte priklopiti na samostojni UNP plinski sistem prikolice, avtodoma ali hiše.
 13. Uporaba alkohola, zdravil na recept ali zdravil brez recepta lahko poslabša sposobnost potrošnika, da pravilno sestavi ali varno uporablja to napravo.
 14. S tem izdelkom nikoli ne uporabljajte oglja, vžigalne tekočine, kamnin iz lave, bencina, parafina ali alkohola.
 15. Preverite puščanje, tudi če je vašo enoto sestavil nekdo drug.
 16. Izdelka ne uporabljajte, če pušča plin. Puščanje plina lahko povzroči požar ali eksplozijo.
 17. Pred uporabo morate upoštevati vse postopke preverjanja puščanja plina. Da preprečite nevarnost požara ali eksplozije pri preizkušanju puščanja:
 - a. Pred prižiganjem žara vedno izvedite test puščanja in prav tako vsakič, ko je rezervoar priključen za uporabo.
 - b. Prepovedano kajenje. Pri preskusu puščanja se držite stran od virov vžiga.
 - c. Preskus puščanja izvedite na prostem v dobro prezračenem prostoru.
 - d. Za preverjanje puščanja ne uporabljajte vžigalic, vžigalnikov ali plamena.
 - e. Ne uporabljajte žara, dokler ne odpravite vseh puščanj. Če puščanja ne morete odpraviti, odklopite dovod plina.
 18. Ne shranjujte in ne uporabljajte bencina, drugih vnetljivih tekočin ali hlapov na razdalji 8 m od naprave.
 19. Ne uporabljajte v eksplozivnem ozračju. Prostor žara naj bo čist in brez gorljivih materialov.
 20. Vedno držite vse gorljive predmete in površine vsaj 1 m stran od žara. Tega žara ali kakršnega koli plinskega izdelka ne uporabljajte pod nobenim predmetom/objektom ali v bližini nezaščitene gorljivih struktur.
 21. Pomembno je, da so predeli za rešetke, gorilniki in odprtine za kroženje zraka čisti. Pred vsako uporabo pregledajte žar.
 22. Žara nikakor ne spreminjajte/modificirajte.
 23. Žara ne uporabljajte, če ni popolnoma sestavljen in so vsi deli varno pritrjeni in zategnjeni.
 24. Ta žar je treba redno čistiti in redno pregledovati. Pred uporabo naprave vedno očistite in pregledajte cev. Če obstajajo vidne sledi o odrgnini, obrabi, urezninah ali puščanju, je treba cev zamenjati pred zagonom naprave.
 25. Uporabljajte samo tovarniško dovoljene dele. Uporaba katerega koli dela, ki ni tovarniško dovoljen, je lahko nevarna.
 26. Te naprave ne uporabljajte, ne da bi prebrali poglavje „Navodila za uporabo“ tega priročnika.
 27. Da se izognete opeklinam, se ne dotikajte nobenih kovinskih delov žara, dokler se popolnoma ne ohladi (približno 45 minut).
 28. Pri kuhanju mora biti oprema za gašenje požara zlahka dostopna. V primeru požara z maščobo ne poskušajte gasiti z vodo. Uporabljajte suhi kemični gasilni aparat tipa ABC ali zadušite plamen z umazanijo, peskom ali sodo bikarbono.
 29. Ne nameščajte in ne uporabljajte žara na čolnih ali rekreacijskih vozilih.
 30. Ne uporabljajte žara pri močnem vetru.
 31. Nikoli se ne nagibajte nad žarom, ko ga prižigate.
 32. Prižganega žara ne puščajte brez nadzora. **OPOZORILO!** Otroke in hišne ljubljence vedno držite stran od žara.
 33. Med uporabo žara ne poskušajte premikati. Pustite, da se žar ohladi, preden ga odstranite ali shranite.
 34. Žar lahko hranite v zaprtih prostorih SAMO, če je rezervoar odklopljen, odstranjen iz žara in pravilno shranjen na prostem.
 35. Pokrov žara vedno odpirajte previdno in počasi, saj vas lahko ujeta toplota in para močno opečeta.
 36. Ko je žar v uporabi, ne poskušajte odklopiti regulatorja plina iz rezervoarja ali plinske napeljave.
 37. Žar vedno položite na trdo in ravno podlago. Površine morajo biti odporne na povišanje temperature za 50°C.
 38. Bodite zelo previdni na lesenih površinah.
 39. Cevi za plin premaknite čim dlje od vročih površin in kapljajoče vroče masti.
 40. Vse električne kable držite stran od vročega žara.
 41. Ne uporabljajte žara za kuhanje ali ogrevanje v zaprtih prostorih. Strupeni hlapi se lahko kopičijo in povzročijo zadušitev.
 42. Po določenem obdobju skladiščenja in / ali neuporabe preverite tesnjenje, ovire gorilnika in preverite, ali so na ceveh odrgnine, obrabe in ureznine.
 43. Če med vžigom gorilnikov ne odprete pokrova ali v primeru, da se žar ne prižge ne počakate 5 minut, da se plin razprši, lahko pride do eksplozije.
 44. Če žara ne uporabljate, morate plin izklopiti na oskrbovalnem rezervoarju in regulatorju.
 45. Žara nikoli ne uporabljajte brez nameščenih grelnih plošč.
 46. Rezervna posode za plin ne shranjujte pod ali blizu te naprave.
 47. Cevi je treba zamenjati, kadar to zahtevajo naravne razmere. Uporabite pravilno vrsto in dolžino.
 48. Rezervoar postavite ob žar tako, da se cev ne zasuka in ne zvija.
 49. Pri menjavi posode za propan se prepričajte, da stojite stran od virov vžiga.
 50. Vsaka modifikacija naprave je lahko nevarna.
 51. Če ne upoštevate zgornjih navodil in opozoril, lahko pride do smrti, resnih poškodb ali materialne škode.

SPECIFIKACIJE IZDELKA

KODA NAPRAVE: X88-000010 / MODEL: G2082	
SKUPNI TOPLOTNI VHOD (VSE KATEGORIJE PLINA)	5,5 kW (400 g/h)
KATEGORIJA PLINA	I3B/P (30)
VRSTE PLINA	PROPANOVE PLINSKE ZMESI
TLAK PLINA	30 mBar
VELIKOST INJEKTORJA	GLAVNA: 0,84 mm
IDENTIFIKACIJSKA KODA	2575DM28150
OPOZORILO: DOSTOPNI DELI SO LAHKO ZELO VROČI. MAJHNIM OTROKOM NE PUSTITE BLIZU NAPRAVE. PREBERITE NAVODILA PRED UPORABO NAPRAVE.	
ZA UPORABO NA PROSTEM IN V DOBRO PREZRAČENIH OBMOCIH.	
VŽIG GLAVNI GORILNIK: PIEZO VŽIGALNA ENOTA. SPECIFIČNI PLIN, KI GA JE TREBA UPORABITI: PROPAN (PRI 30 mBar).	

KODA NAPRAVE: X88-000020 / MODEL: G9003B	
TOTAL HEAT INPUT (ALL GAS CATEGORIES)	8,4 kW (611 g/h)
KATEGORIJA PLINA	I3B/P (30)
VRSTE PLINA	PROPANOVE PLINSKE ZMESI
TLAK PLINA	30 mBar
VELIKOST INJEKTORJA	GLAVNA: 0,82 mm
IDENTIFIKACIJSKA KODA	2575DM28150
POZORILO: DOSTOPNI DELI SO LAHKO ZELO VROČI. MAJHNIM OTROKOM NE PUSTITE BLIZU NAPRAVE. PREBERITE NAVODILA PRED UPORABO NAPRAVE.	
ZA UPORABO NA PROSTEM IN V DOBRO PREZRAČENIH OBMOČJIH.	
VŽIG GLAVNI GORILNIK: PIEZO VŽIGALNA ENOTA. SPECIFIČNI PLIN, KI GA JE TREBA UPORABITI: PROPAN (PRI 30 mBar).	

MONTAŽA

PRIKLJUČITEV PLINSKEGA REZERVOARJA NA NAPRAVO

Ta naprava je primerna samo za uporabo z nizkotlačnim propan plinom (mešanice utekočinjenega naftnega plina) z ustreznim regulatorjem nizkega tlaka preko fleksibilne cevi. Cev mora biti pritrjena na regulator in aparat s sponkami za cevi. Ta žar je nastavljen tako, da deluje s 30-mbar regulatorjem z mešanico utekočinjenega naftnega plina. Za informacije o ustreznem regulatorju za gorivo se obrnite na prodajalca rezervoarjev za plin.

REGULATOR IN CEV

Ti predmeti niso priloženi žaru, lahko jih kupite pri prodajalcu opreme ali pooblaščenem dobavitelju plina. Uporabljajte samo regulatorje in cevi, odobrene za zgoraj navedeni plinski pritisk. Pričakovana življenjska doba regulatorja je ocenjena na 10 let. Priporočljivo je, da regulator zamenjate v 10 letih od datuma izdelave. Uporaba napačnega regulatorja ali cevi ni varna; pred uporabo žara vedno preverite, ali imate ustrezne predmete. Obrabljeno ali poškodovano cev je treba zamenjati. Prepričajte se, da cev ni ovirana, prepognjena ali v stiku s katerim koli delom žara, razen na njegovi točki povezave. Uporabljena cev mora ustrezati ustreznemu standardu v državi uporabe.

SHRANJEVANJE NAPRAVE

Shranjevanje naprave v zaprtih prostorih je dovoljeno le, če jeklenko odklopite in odstranite iz naprave. Če naprave dalj časa ne uporabljate, jo hranite v originalni embalaži in v suhem in neprašnem okolju.

REZERVOAR ZA GORIVO

Rezervoarja za plin ne smete spustiti ali z njim ravnati grobo! Če naprava ni v uporabi, je jeklenko treba odklopiti. Po odklopu jeklenke iz naprave ponovno namestite zaščitni pokrovček na jeklenko. Jeklenke je treba hraniti na prostem v pokončnem položaju in izven dosega otrok. Jeklenke nikoli ne shranjujte tam, kjer lahko temperature presežejo 50°C. Jeklenke ne shranjujte v bližini ognja, pilotnih luči ali drugih virov vžiga. NE KADITE.

Ta žar je zasnovan za uporabo na prostem, stran od vnetljivih materialov. Pomembno je, da ni nobenih ovir nad žarom in da je od strani ali zadnjega dela oddaljen od ostalih predmetov za najmanj 1 meter.

Pomembno je, da prezračevalne odprtine naprave niso ovirane. Žar je treba uporabljati na ravni, stabilni površini. Naprava mora biti zaščitena pred neposrednimi preprihi in zaščitena pred neposrednim stikom s tekočo vodo.

Uporabnik ne sme spreminjati delov, ki jih je zapečatil proizvajalec ali njegov zastopnik. Modifikacije na katerem koli delu tega žara niso dovoljene, popravila in vzdrževanje pa mora izvajati le pooblaščen servisier.

POVEZAVA Z APARATOM

Pred priključitvijo aparata se prepričajte, da na glavi plinske jeklenke, regulatorja, gorilnikov in vratu gorilnika ni ujetih umazanih delcev. Pajki in žuželke lahko gnezdiijo znotraj teh delov in zamašijo gorilnik / venturijeve cevi na predelu odpiranja. Zamašen gorilnik lahko privede do požara v spodnjem delu naprave. Cev pritrdite na aparat s pomočjo ključa, da jo privijete na priključni navoj. Če cev zamenjate, jo je treba s cevnicami sponkami pritrditi na priključke naprave in konektorje regulatorja. Ko žar ni v uporabi, odklopite regulator iz jeklenke (v skladu z navodili, ki so priložena regulatorju). Žar je treba uporabljati v dobro prezračevanem prostoru. Ko žar uporabljate, ne ovirajte pretoka zraka za zgorevanje do gorilnika. ŽAR UPORABLJAJTE SAMO NA PROSTEM.

PRED UPORABO PREVERITE PUŠČANJE

Nikoli ne preverjajte puščanja z golim plamenom: vedno uporabite milnico.

ZA PREVERJANJE PUŠČANJA

Zmešajte raztopino za preverjanje puščanja plina: pripravite 60-80ml mešanice milnice (1 del) in vode (3 deli). Prepričajte se, da je krmilni ventil v položaju "OFF". Regulator priključite na jeklenko, ventil za vklop / izklop pa na gorilnik. Prepričajte se, da so priključki varni in nato vklopite (ON) plin. Nanesite milnico na cev in vse spoje. Če se pojavijo mehurčki, plin pušča, kar morate pred uporabo žara odpraviti. Po odpravi puščanja ponovno opravite preskus. Po preskusu izklopite (OFF) plin na jeklenki. Če zaznate puščanje in ga ni mogoče odpraviti: ne poskušajte odpraviti puščanja in se obrnite na prodajalca plina!

NAVODILO ZA UPORABO

Žar skrbno sestavite po navodilih. Cev za plin priključite na žar. Regulator priključite na cev. Regulator priključite na ventil jeklenke v skladu z navodili regulatorja, ki so priložena regulatorju. Preden vklopite dovod plina v aparat, obrnite vse krmilne gumbe v položaj 'OFF'. Upravljajte regulator v skladu z navodili, ki so priložena regulatorju.

PRIŽIGANJE ŽARA (GLAVNI GORILNIK)

NAVODILA ZA VŽIG

MODEL G2082 / X88-000010

1. Odprite pokrov.
2. Obrnite vse kontrolne gumbe v smeri urinega kazalca v položaj "OFF".

3. Regulator plina priključite na plinsko posodo in aparat. Na plinski posodi vklopite dovod plina (ON). Z milnico preverite, ali plin med plinsko posodo in regulatorjem plina pušča.
4. Potisnite levi gumb za upravljanje in ga zavrtite v nasprotni smeri urinega kazalca v položaj "Full rate", medtem ko pritisnete gumb za piezo vžig 4 ali 5-krat. To bo prižgalo gorilnik. Preverite, če se je gorilnik prižgal. Če ne gori, ponovite ta postopek.
5. Če se gorilnik po ponovnem poskusu ne prižge, počakajte 5 minut in ponovite 3. korak.
6. Prilagodite toploto z vrtenjem gumba v položaj High / Low.
7. Če gorilnik ne sveti: aparat prižgite z vžigalico s pomočjo luknjice za vžig na bočni strani aparata.
8. Če želite prižgati desni gorilnik, zavrtite desni gumb za upravljanje v položaj za vklop, to bo prižgalo desni gorilnik. Napravo vedno prižgite z levega gorilnika na desno stran.
9. Izklop žara: zaprite ventil za plinsko posodo in nato v smeri urinega kazalca zavrtite kontrolne gumbe v položaj "OFF".

MODEL G2082 / X88-000010

1. Odprite pokrov.
2. Obrnite vse kontrolne gumbe v smeri urinega kazalca v položaj "OFF".
3. Regulator plina priključite na plinsko posodo in aparat. Na plinski posodi vklopite dovod plina (ON). Z milnico preverite, ali plin med plinsko posodo in regulatorjem plina pušča.
4. Pritisnite drugi kontrolni gumb, ki ga prepoznate po simbolu strele (⚡), in ga hkrati obrnite na položaj "HI". S tem se mora sprožiti vžig in vžgati glavni gorilnik.
5. Ostale gorilnike lahko prižgete, ko signalna lučka (⚡) glavnega gorilnika pokaže, da je prižgan.
6. Če postopek osvetlitve ne deluje, gumb obrnite na "OFF", počakajte nekaj trenutkov in ponovite 4. korak.
7. S kontrolnim gumbom nastavite plamen na zeleno jakost.
8. Če želite izklopiti žar, izklopite plin ali regulator in vse kontrolne gumbe obrnite nazaj v položaj "OFF".

POZORILO: Če se gorilnik ne prižge, izklopite kontrolni gumb (v smeri urinega kazalca) in izklopite ventil plinske posode. Počakajte pet minut, preden ponovno poskusite z vžigom.

ČIŠČENJE IN NEGA

POZOR: čiščenje in vzdrževanje je treba izvajati, ko je žar hladen in je dovod goriva na plinski jeklenki izklopljen.

ČIŠČENJE

Če žar po vsaki uporabi "žgete" (za približno 15 minut), se ostanki hrane na žaru zmanjšajo na minimum.

ZUNANJA POVRŠINA

Uporabite blag detergent ali sodo bikarbono in raztopino vroče vode. Neabrazivni čistilni prašek lahko uporabite na trdovratnih madežih, nato sperite z vodo. Če je na notranji površini pokrova žara vidna luščeča se barva, se je zapečena nakopičena maščoba spremenila v ogljik in se tako začela luščiti. Temeljito očistite z močno in toplo raztopino milnice. Izperite z vodo in pustite, da se popolnoma posuši. NIKOLI NE UPORABLJAJTE ČISTIL ZA PEČI.

NOTRANJOST ŽARA

Ostanke odstranite s ščetko, strgalom in / ali čistilno blazinico, nato sperite z milno raztopino. Izperite z vodo in pustite, da se posuši.

KUHALNA MREŽA

Uporabite blago milno raztopino. Za trdovratne madeže lahko uporabite neabrazivno čistilno moč, nato sperite z vodo.

ČIŠČENJE SESTAVE GORILNIKA

Na krmilnem gumbu izklopite plin (OFF) in odklopite jeklenko. Odstranite ohlajen tečaj. Gorilnik očistite z mehko krtačo ali popihajte s stisnjenim zrakom in obrišite s krpo. Zamašene vmesnike očistite s čistilom za cevi ali trdo žico (na primer zravnano sponko za papir). Preglejte gorilnik zaradi morebitnih poškodb (razpoke ali luknje). Če ugotovite škodo, jo zamenjajte z novim gorilnikom. Znova namestite gorilnik, preverite, ali so odprtine plinskega ventila pravilno nameščene in pritrjene znotraj dovoda gorilnika (venturijeva cev).

SERVIS

Plinski žar bi moral letno servisirati pristojni in registrirani strokovnjak.

ZAŠČITA OKOLICE

Ko tale izdelek doseže konec uporabnosti, odnesite ga na zbirno mesto za etektrične in elektronske naprave. Prosimo, preglejte simbole na izdelku, navodila in pakiranje. Obrnite se na odgovorni urad, naj vam dajo naslov najbližjega zbirnega mesta v vaši okolici.

EST GRILL

NB!

- Lugege järgnevad juhised tähelepanelikult läbi ning jälgige, et BBQ-ahju paigaldatakse, pannakse kokku ja hooldatakse õigesti. Nende juhiste eiramine võib kaasa tuua rasked kehavigastused ja/või materiaalse kahju. HOIDKE JUHEND EDASPIDISEKS ALLES.
- Kui teil on küsimusi selle toote kokkupaneku või kasutamise kohta, pidage nõu oma edasimüüja või LP-gaasi tarnijaga.
- Jälgige, et seade ja gaasiballoon asetseksid tasasel pinnal, kui neid kasutatakse maapinnal.

- Ärge mitte kunagi süüdake seadet, kui KAAS on kinni.
- Ärge mitte kunagi süüdake ega kasutage külgpõletit, kui selle kate on kinni.
- BBQ-ahju saab kasutada 6–11 kg gaasiballooniga.
- Ahju süütamisel tuleb rangelt järgida järgnevaid vahesid:
 - Seadme küljed ja tagaosa: 1 m igasugusest takistusest.
 - Seadme kohal: AHJU KOHAL EI TOHI OLLA TAKISTUSI.
 - KASUTADA AINULT VÄLISTINGIMUSTES.
- **HOIATUS!** LIGIPÄÄSETAVAD OSAD VÕIVAD MUUTUDA VÄGA TULISEKS. HOIDKE LAPSED EEMAL.
- ÄRGE LIIGUTAGE SEADET KÜPSETAMISE AJAL

KUI TUNNETE GAASILÕHNA

- Lülitage grilli gaasisisselase välja
- Kustutage lahtine tuli
- Avage kaas
- Kui lõhn ei kao, hoidke seadmest eemale ja helistage kohe gaasitarnijale või tuletõrjesse.
- Ärge hoidke propaangaasiballooni seadmele lähemal kui 4 m.
- Ärge hoidke ega kasutage bensiini või muid tuleohtlike aurudega vedelikke sellele ja muudele sarnastele seadmetele lähemal kui 8 m.
- Gaasiballoone (ei ole kasutamiseks ühendatud) ei tohi mitte kunagi hoida selle ega teiste sarnaste seadmete läheduses.

HOIATUSED

1. See grill on mõeldud kasutamiseks üksnes välistingimustes ning seda ei tohi kasutada hoones, garaažis või muus kinnises kohas.
2. Grill EI OLE mõeldud kommertseesmärgil kasutamiseks.
3. Seda grilli tohib kasutada üksnes LP-GAASISEGUGA. Maagaasi kasutamine või toote modifitseerimine maagaasi kasutamiseks on ohtlik.
4. LP-gaasi omadused:
 - a. LP-gaas on valesti käsitsemise korral kergestisüttiv ja ohtlik. Lugege enne LP-gaasi toote kasutamist tähelepanelikult läbi sellega kaasas olev info.
 - b. LP-gaas on surve all plahvatusohtlik, õhust raskem ja koguneb madalamatesse kohtadesse.
 - c. LP-gaas on loomulikult olekus lõhnatu. Ohutuse huvides on sellele lisatud mädanenud kapsast meenutavat lõhnaainet.
 - d. Kokkupuutel LP-gaasiga võib nahal tekkida külmapõletus.
5. Gaasiballoonile tuleb paigaldada klapp.
6. Gaasiballoonile tuleb paigaldada klapi kaitsmiseks balloonikrae.
7. Ärge kasutage propaangaasiballooni, mille korpus, klapp, krae või põhi on kahjustunud.
8. Mõlkidega või roostes LP-gaasi balloonid võivad olla ohtlikud ning LP-gaasi tarnija peab need enne kasutamist üle kontrollima.
9. LP-gaasi balloonil ei tohi lasta maha kukkuda ega seda hoolekult käsitseda.
10. LP-gaasi ballooni tuleb hoida välistingimustes, lastele kättesaamatult, ning seda ei tohi hoida hoones, garaažis või muus kinnises kohas. LP-gaasi ballooni ei tohi mitte kunagi hoida üle 50°C temperatuuril.
11. Ärge hoidke täis LP-gaasi ballooni kuumas autosalongis või pagasiruumis. Kuumus põhjustab gaasirõhu suurenemist, mistõttu võib kaitseklapp avaneda ja gaas välja voolata.
12. Ärge püüdke kinnitada grilli autokaravani või matkamaja iseseisvasse LP-gaasi süsteemi.
13. Alkoholi, retsepti- ja käsimüügiravimite tarvitamine võib vähendada kasutaja võimet seadet õigesti kokku panna või ohutult käitada.
14. Ärge kasutage selle tootega sütt, süütevedelikku, laavakive, bensiini, parafiini ega alkoholi.
15. Kontrollige lekkeid isegi siis, kui seadme on kokku pannud keegi teine.
16. Ärge kasutage toodet, kui sellest lekib gaasi. Gaasileke võib põhjustada tulekahju või plahvatuset.
17. Enne kasutamist tuleb järgida kõiki lekke kontrollimise protseduure. Tule- või plahvatusohu vältimiseks lekkesti ajal tuleb toimida järgmiselt.
 - a. Tehke lekkest enne grilli süütamist ning alati enne ballooni ühendamist kasutamise eesmärgil.
 - b. Mitte suitsetada. Lekkesti tegemise ajal tuleb püsida süttimisallikatest eemal.
 - c. Tehke lekkest väljas hea ventilatsiooniga kohas.
 - d. Ärge kasutage lekete tuvastamiseks tikke, süütleid ega leeki.
 - e. Ärge kasutage grilli enne, kui kõik lekkes on kõrvaldatud. Kui te ei suuda leket kõrvaldada, katkestage LPG-gaasi varustus.
18. Hoidke ja kasutage bensiini või muid tuleohtlike vedelikke või aineid sellest seadmest vähemalt 8 m kaugusel.
19. Ärge kasutage seadet plahvatusohtlikus keskkonnas. Hoidke grilli piirkond puhas ja ärge hoidke seal süttivaid materjale.

20. Hoidke süttivad esemed ja pinnad grillist vähemalt 1 m kaugusel. Ärge kasutage grilli ega gaasitooteid kaitsmata süttiva konstruktsiooni all ega lähedal.
21. Grilli klapp, põletid ja ringlusõhu avad tuleb hoida puhtana. Kontrollige grilli enne iga kasutamist.
22. Ärge muutke grilli mitte mingil viisil.
23. Kasutage grilli ainult siis, kui see on TÄIELIKULT kokku pandud ja kõik osad on turvaliselt kinnitatud.
24. Grilli tuleb regulaarselt ja hoolikalt puhastada ja kontrollida. Puhastage ja kontrollige voolikut alati enne seadme kasutamist. Hõõrdumise, kulumise, sisselõigete ja lekete korral tuleb voolik enne seadme kasutuselevõttu välja vahetada.
25. Kasutage ainult tehase poolt heaks kiidetud varuosi. Osade kasutamine, mida tehas ei ole heaks kiitnud, võib olla ohtlik.
26. Ärge kasutage seadet enne, kui olete läbi lugenud selle juhendi jaotise „Kasutusjuhised“.
27. Põletuste vältimiseks ärge puudutage grilli metalloosi enne, kui ahi on täielikult maha jahtunud (umbes 45 min).
28. Toiduvalmistamise ajal peavad kustutusvahendid olema alati kättesaadavad. Rasva süttimise korral ärge üritage seda kustutada veega. Kasutage ABC-tüüpi kustutuspulbrit või summutage leegid mulla, liiva või küpsetussoodaga.
29. Ärge paigaldage ega kasutage laevadel või vabaajasoodades.
30. Ärge kasutage grilli tugeva tuulega.
31. Ärge kummarduge süttimise ajal grilli kohale.
32. Ärge jätke grilli järelevalveta. **HOIATUS!** Hoidke lapsed ja loomad alati grillist eemal.
33. Ärge proovige grilli kasutamise ajal teisaldada. Laske grillil enne puhastamist või hoiulepanekut jahtuda.
34. Grilli võib hoida siseruumis AINULT siis, kui ballooni on grilli küljest eemaldatud ja seda hoitakse korrektselt välistingimustes.
35. Avage grilli kaas alati ettevaatlikult ja aeglaselt, sest selle alla kogunenud kuumus ja aru võib tekitada raskeid põletusi.
36. Ärge proovige lahutada grilli kasutamise ajal ballooni ega gaasipaigaldistelt gaasiregulaatorit.
37. Asetage grill kõvale ja tasasele pinnale. Pind peab taluma 50°C temperatuuritõusu.

38. Olge puitpõrandatel äärmiselt ettevaatlik.
39. Viige gaasivoolikud kuumadest pindadest ja tilkuvast kuumast rasvast võimalikult kaugemale.
40. Hoidke kõik elektrijuhtmed kuumast grillist eemal.
41. Ärge kasutage grilli toiduvalmistamiseks ega kütmiseks siseruumides. Mürgised aurud võivad koguneda ja põhjustada lämbumist.
42. Pärast pikemat hoiustamist ja/või mittekasutamist kontrollige lekkeid, põleti takistusi ning voolikutel abrasiiooni, kulumist ja lõikeid.
43. Kui grillipõletite süütamisel ei avata kaant või kui pärast grilli mittesüttimist ei oodata 5 minutit, et gaas saaks hajuda, võib tekkida plahvatuslik leegi süttimine.
44. Kui grilli ei kasutata, tuleb gaas ballooni ja regulaatorist välja lülitada.
45. Ärge mitte kunagi kasutage grilli, kui selle kuumutusplaadid pole paigaldatud.
46. Ärge hoidke varugaasiballooni seadme all ega lähedal.
47. Toru tuleb välja vahetada, kui selle seisukord seda nõuab. Kasutage sama tüüpi ja pikkust.
48. Paigutage ballooni grilli lähedale, nii et voolik ei oleks keerdu ega läheks keerdu.
49. LP-propaangaasi ballooni vahetamisel tuleb püsida süttimisallikatest eemal.
50. Seadme modifitseerimine on ohtlik.
51. Eespool kirjeldatud juhiste ja hoiatuste eiramine võib põhjustada surma, raskeid vigastusi või materiaalseid kahju.

TOOTE TEHNILISED ANDMED

SEADME KOOD: X88-000010 / MUDEL: G2082	
KOGU SOOJUSISEND (KÖIK GAASIKATEGOORIAD)	5,5 kW (400 g/h)
GAASIKATEGOORIA	I3B/P (30)
GAASI TÜÜP	LP-PROPAANGAASISEGU
GAASIRÖHK	30 mBar
DÜÜSI SUURUS	PEAÜKSUS: 0,84 mm
IDENTIFITSEERIMISKOOD	2575DM28150
HOIATUS! LIGIPÄÄSETAVAD OSAD VÕIVAD MUUTUDA VÄGA TULISEKS. HOIDKE LAPSED EEMAL. ENNE SEADME KASUTAMIST LUGEGE JUHISEID.	
KASUTADA AINULT VÄLSTINGIMUSTES JA HÄSTI VENTILEERITUD KOHAS.	
SÜÜTAMINE PEAPÕLETI: ÜHEKORDNE PIESOSÜÜTEL. KASUTATAV GAAS: PROPAAN (30 mBar RÖHUL).	

SEADME KOOD: X88-000020 / MUDEL: G9003B	
KOGU SOOJUSISEND (KÖIK GAASIKATEGOORIAD)	8,4 kW (611 g/h)
GAASIKATEGOORIA	I3B/P (30)
GAASI TÜÜP	LP-PROPAANGAASISEGU
GAASIRÖHK	30 mBar
DÜÜSI SUURUS	PEAÜKSUS: 0,82 mm
IDENTIFITSEERIMISKOOD	2575DM28150
HOIATUS! LIGIPÄÄSETAVAD OSAD VÕIVAD MUUTUDA VÄGA TULISEKS. HOIDKE LAPSED EEMAL. ENNE SEADME KASUTAMIST LUGEGE JUHISEID.	
KASUTADA AINULT VÄLSTINGIMUSTES JA HÄSTI VENTILEERITUD KOHAS.	
SÜÜTAMINE PEAPÕLETI: ÜHEKORDNE PIESOSÜÜTEL. KASUTATAV GAAS: PROPAAN (30 mBar RÖHUL).	

KOKKUPANEK

GAASIBALLOONI ÜHENDAMINE SEADMEGA

Seade sobib kasutamiseks ainult madala rõhuga propaangaasiga (LP-gaasisegu), millele on ühendatud painduva vooliku abil madala rõhuga regulaator. Voolik tuleb kinnitada regulaatorile ja seadmele voolikuklambritega. See grillahi on mõeldud kasutamiseks 30 mbar regulaatoriga ja LP-gaasiseadega. Gaasiballoonile sobiva regulaatori leidmiseks pidage nõu LP-gaasi tarnijaga.

REGULAATOR JA VOOLIK

Neid komponente grillahjuga kaasas ei ole, vaid need tuleb osta grillitarvikute müüjalt või LP-gaasi volitatud tarnijalt. Kasutage ainult koos regulaatorite ja voolikutega, mis on heaks kiidetud eespool kirjeldatud LP-gaasi rõhule. Regulaatori oodatav eluiga on 10 aastat. Regulaator on soovitatav 10 aastat pärast tootmiskuupäeva välja vahetada. Vale regulaatori ja vooliku kasutamine on ohtlik. Kontrollige alati enne grillahju kasutamist, kas teil on õiged tooted. Kulunud või kahjustunud voolik tuleb välja vahetada. Jälgige, et voolikus ei oleks takistust, murdunud kohti või kokkupuudet grillahjuga (välja arvatud ühenduskoht). Voolik peab vastama kasutuskoha riigis kehtivatele nõuetele.

SEADME HOIUSTAMINE

Seadet tohib hoida siseruumides vaid juhul, kui ballooni on lahutatud ja seadme küljest eemaldatud. Kui seadet ei ole plaanis pikemat aega kasutada, tuleb seda hoida originaalpakendis kuivas ja tolmuvabas kohas.

GAASIBALLOON

Gaasiballoonil ei tohi lasta maha kukkuda ega seda hoolekult käsitseda! Kui seadet ei kasutata, tuleb ballooni lahutada. Pärast ballooni lahutamist seadmelt paigaldage silindri kaitsekork. Ballooni tuleb hoida välistingimustes püstises asendis, lastele kättesaamatus kohas. Ballooni ei tohi hoida kohas, kus temperatuur võib tõusta üle 50°C. Ärge hoidke ballooni leekide, signaallampide või muude süttimisallikate läheduses. MITTE SUITSETADA. See grillahi on mõeldud kasutamiseks välistingimustes, eemal süttivatest materjalidest. Oluline on, et seadme kohal ei oleks takistusi ning et seadme külgedel ja taga oleks vähemalt 1 meeter vaba ruumi. Seadme ventilatsioonivad ei tohi olla kinni kaetud. Grillahi tuleb asetada tasasele stabiilsele pinnale. Seadet tuleb kaitsta tõmbetuule eest ning see tuleb paigutada kohta, kus sellele ei saa tilkuda vett. Kasutaja ei tohi tootja poolt pitseeritud osi modifitseerida. Grillahju osi ei tohi modifitseerida ning remondi- ja hooldustööd tohivad teha üksnes volitatud tehnikud.

ÜHENDUSE LOOMINE SEADMEGA

Enne seadme ühendamist tuleb veenduda, et gaasiballooni, regulaatori, põleti ja põletiliitmike

sisse ei ole sattunud mustust. Ämblikud ja putukad võivad olla teinud põleti/ventuuritoru sisse pesa ja selle ummistanud. Ummistunud põleti võib põhjustada seadme alumises osas tulekahju. Paigaldage seadmele voolik, keerates selle nutrivõtmega ühenduskeermele. Kui voolik vahetatakse välja, tuleb see voolikuklambrite abil seadme ja regulaatorühenduste külge kinnitada. Kui grillahju ei kasutata, lahutage regulaator balloonilt (kooskõlas regulaatoriga kaasas olnud juhistega). Grillahju tuleb kasutada hea ventilatsiooniga kohas. Ärge takistage õhuvoolu põletisse, kui grillahju parajasti ei kasutata. KASUTAGE GRILLAHJU ÜKSNES VÄLISTINGIMUSTES.

KONTROLLIGE ENNE KASUTAMIST LEKETE PUUDUMIST

Ärge kontrollige lekkeid lahtise leegiga: kasutage alati seebivett.

LEKETE KONTROLLIMINE

Valmistage 60–90 ml lekkeotsinguvedelikku, segades kokku ühe osa nõudepesuvahendit ja kolm osa vett. Jälgige, et juhtklapp oleks LAHTI. Ühendage regulaator ballooni ja põleti SISSE/VÄLJA-klapiga, veenduge, et ühendused oleksid tugevad ning lülitage seejärel gaas SISSE. Kandke voolikule ja kõigile liitekohtadele seebilahus. Mullitamine annab märku lekkest, mis tuleb enne seadme kasutamist kõrvaldada. Pärast lekke kõrvaldamist tehke uus lekkek kontroll. Pärast testimist lülitage gaas balloonist VÄLJA. Lekke tuvastamisel, mida ei õnnestu kõrvaldada, ärge püüdke leket parandada, vaid võtke ühendust gaasitarnijaga!

KASUTUSJUHISED

Pange grill ettevaatlikult kokku, järgides juhiseid. Ühendage gaasivoolik grillahjuga. Ühendage regulaator voolikuga. Ühendage regulaator ballooniklapiga, järgides regulaatori juhendit. Lülitage kõik juhtelemendid väljalülitatud asendisse, enne kui gaasi sisse lülitate. Kasutage regulaatorit kooskõlas regulaatori juhendile.

TEIE GRILLI SÜÜTAMINE (PEAMINE PÕLETI)

SÜÜTAMISINSTRUKTSIOONID

MUDEL G2082 / X88-000010

1. Ava klapp.
2. Keera kõik juhtimisnupud kellaga „OFF“ peale.
3. Ühenda gaasisurveregulaator gaasipudelig. Keera gaasilisamine gaasiballoonil lahti „ON“ peale. Kontrolli kasutades seebivett, ega ei ole gaasilekkeid pudeli ja gaasisurveregulaatori vahel.
4. Vajuta vasaku juhtimisnupu peale ja keera seda vastu kella liikumist, vasakule, seisu „Täiesti lahti“ samal ajal kui hoiate piesosüütenuppu 4 või 5 korda all. See süütab põleti. Kontrolli kas põleti on süüdatud. Kui mitte, korrake protsessi.
5. Kui põleti peale järgmist katset ei põle, oota 5 minutit ja korda samm 3-e.

6. Reguleeri leegikõrgus keerates nuppu High/Low-seisu muutes.
7. Kui põleti enam ei lülitu sisse. Süüta siis aparaat tikuga asetades tiku süütevavasse aparaadi küljel.
8. Et paremat põletit süüdata, keerake parem juhtimisnupp täisseisu, see süüdatakse tänu vasemale põletile. Süüdatakse alati aparaadi vasem põleti suunaga paremale põletile.
9. Et barbecue VÄLJA lülitada: Sulge gaasiballoonikraan ja keera järgnevalt juhtimisnuppu, et aparaadi kell läheks 'OFF' asendisse.

MUDEL G9003 / X88-000020

1. Ava klapp.
2. Keera kõik juhtimisnupud kellaga „OFF“ peale.
3. Ühenda gaasisurveregulaator gaasipudelig. Keera gaasilisamine gaasiballoonil lahti „ON“ peale. Kontrolli kasutades seebivett, ega ei ole gaasilekkeid pudeli ja gaasisurveregulaatori vahel.
4. Vajutage teisele kontrollnupule, mis on tuvastatav valgustussümboli abil (☚), ja samal ajal pöörake see asendisse „HI“. Nii toimides peaks süüde sätet lööma ja süütama peapõleti.
5. Te saate süüdata teised põletid, kui põhipõleti signaaltuli (☚) näitab, et see on süüdatud.
6. Kui süütamisprotsess ei tööta, pöörake nupp asendisse „OFF“, oodake mõni hetk ja korrake sammu 4.
7. Kohandage leeki soovitud tugevusele, kasutades kontrollinuppu.
8. Selleks et grill välja lülitada, lülitage gaas või regulaator otse välja ning keerake kõik kontrollnupud tagasi asendisse „OFF“.

HOIATUS: kui põleti ei sütti, keera juhtimisnupp välja (kella liikumissuunas) ja keera gaasikraan välja. Oota 5 minutit enne kui sa proovid uuesti süüdata süütesüsteemiga.

PUHASTAMINE JA HOOLDUS

ETTEVAATUST. Kõiki hooldus- ja puhastustööd tuleb teha maha jahtunud grillahjul ning väljalülitatud gaasiühendusega.

PUHASTAMINE

Grillahju „põletamine“ pärast iga kasutamist (umbes 15 minutit) hoiab toidujääkide koguse minimaalsel tasemel.

VÄLISPIND

Kasutage õrna pesuvahendit või söögisooda ja kuuma vee lahust. Tõrksate plekkide eemaldamiseks kasutage mitteabasiivset küürimispulbrit ja loputage veega. Kui grillahju kaane sisepinnale tekib mahakoorunud värvi efekt, on põlenud rasv söestunud ja koorub maha. Puhastage see hoolikalt kuuma seebilahusega. Loputage veega ja laske täielikult kuivada. ÄRGE KASUTAGE AHJUPUHASTUSVAHENDIT.

GRILLAHJU PÕHJA SISEPIND

Eemaldage jäägid harja, kaabitsa ja/või puhastuskäsnaaga, seejärel peske seebilahusega. Loputage veega ja laske kuivada.

KÜPSETUSREST

Kasutage õrna seebilahust. Tõrksate plekkide eemaldamiseks kasutage mitteabasiivset küürimispulbrit ja loputage veega.

PÕLETI PUHASTAMINE

Lülitage gaas juhtnupust VÄLJA ja lahutage ballooni. Eemaldage jahtunud küpsetusrest. Puhastage põletit pehme harjaga või suruõhuga ning pühkige lapiga. Puhastage ummistunud liitmikud toruharja või jäiga traadiga (nt sirgeks tõmmatud kirjaklambriga). Kontrollige, ega põleti pole kahjustunud (mõrad või avad). Kahjustuste leidmise korral vahetage põleti välja. Paigaldage põleti tagasi, kontrollige, et gaasiklapi avad oleksid õiges asendis ja kinnitatud põleti sisselaskesse (ventuuri).

HOOLDUS

Gaasigrillahju tuleb lasta kord aastas pädeval ja registreeritud spetsialistil hooldada.

KESKKONNAALANE TEAVE

Kui toote kasutusiga on lõppenud, siis viige see elektriliste ja elektrooniliste jätmete kogumispunkti. Järgige tootel, kasutusjuhendis ja pakendil olevaid sümboleid. Lisateavet lähimate kogumispunktide kohta saate kohalikust omavalitsusest.

HR ROŠTILJ

VAŽNO:

- Pažljivo pročitajte sljedeće upute i provjerite je li vaš roštilj pravilno instaliran, sastavljen i održavan. Nepoštivanje ovih uputa može dovesti do ozbiljnih tjelesnih ozljeda i / ili materijalne štete. ČUVAJTE ZA BUDUĆU REFERENCU.
- Ako imate pitanja u vezi s montažom ili radom ovog proizvoda, obratite se svom dobavljaču ili dobavljaču LP plina.
- Pazite da uređaj i plinski spremnik stoje na ravnoj površini kada se koriste na zemlji.
- Uređaj nikada ne palite s HOOD-om u zatvorenom položaju.
- Nikada ne palite i ne upotrebljavajte bočni plamenik s poklopcem u zatvorenom položaju.
- Vaš roštilj možete koristiti na spremniku za gorivo od 6 do 11 kg.
- Prilikom paljenja roštilja moraju se strogo poštivati sljedeća odobrenja:
- Bočne strane i stražnji dio uređaja: 1 metar od bilo kakve prepreke.
- Iznad uređaja: NIJE UVJETOVANO GORNJE OGRANIČENJE.

- KORISTITE SAMO VANI.
- **UPOZORENJE:** DOSTUPNI DIJELOVI MOGU BITI VRLO VRUĆI. MOLIMO VAS, DA DJECU DRŽITE DALJE OD BBQ.
- NEMOJTE PREMJEŠTATI UREĐAJ ZA VRIJEME KUHANJA.

AKO OSJETITE PLIN

- Zatvorite plinski dovod za grilla
- Ugasiti svaki otvoreni plamen
- Otvorite poklopac
- Ako se plin i dalje osjeti, držite se podalje od uređaja i odmah nazovite dobavljača plina ili vatrogasce.
- Nemojte skladištiti bocu za propan LPG unutar 4 m od ovog uređaja.
- Nemojte skladištiti ili koristiti benzin ili druge tekućine sa zapaljivim parama unutar 8 m od ovog / bilo kojeg drugog sličnog uređaja.
- Spremnici za plin - (nisu povezani za uporabu) nikada ne smiju biti pohranjeni u blizini ovog / bilo kojeg drugog sličnog uređaja.

UPOZORENJA

1. Ovaj roštilj namijenjen je samo vanjskoj upotrebi i ne smije se koristiti u zgradi, garaži ili bilo kojem drugom zatvorenom prostoru.
2. Ovaj roštilj NIJE za komercijalnu upotrebu.
3. Ovaj roštilj mora se koristiti samo s PROPANSKOM PLINSKIM SMJESOM. Korištenje prirodnog plina ili pretvaranje proizvoda da bi to bilo moguće opasno je.
4. Karakteristike LP plina:
 - a. LP plin je zapaljiv i opasan ako se njime rukuje nepravilno. Pažljivo pročitajte specifikacije prije upotrebe bilo kojeg LP plin proizvoda.
 - b. LP plin je eksplozivan pod pritiskom, teži je od zraka i taloži se u bazenima u niskim područjima.
 - c. LP plin u prirodnom stanju nema miris. Radi sigurnosti dodaje se odorant koji miriše na truli kupus.
 - d. Kontakt s LP plinom može izazvati smrzavanje kože.
5. Spremnik za plin mora biti opremljen ventilom ZA spremnik.
6. Spremnik za plin mora biti opremljen ovratnikom spremnika za zaštitu ventila spremnika.
7. Nikada nemojte koristiti spremnik propan LP goriva s oštećenim tijelom, ventilom, ovratnikom ili bazom.
8. Rezervoari sa zupčanicima ili zahrđali LP plin mogu biti opasni i treba ih provjeriti

kod vašeg dobavljača LP plina prije upotrebe.

9. Spremnik LP plina ne smije se ispustiti ili rukovati s njim grubo.
10. LP spremnik za plin mora se čuvati na otvorenom, izvan dohvata djece i ne smije se čuvati u zgradi, garaži ili bilo kojem drugom zatvorenom prostoru. LP spremnik za plin nikada se ne smije skladištiti tamo gdje temperature mogu doseći više od 50°C.
11. Nikada nemojte držati napunjeni spremnik za plin u vrućem automobilu ili prtljažniku. Toplina će uzrokovati porast tlaka plina, što može otvoriti sigurnosni ventil i omogućiti istjecanje plina.
12. Nikada ne pokušavajte pričvrstiti ovaj roštilj na samostalni LP sustav plinske prikolice, kamp kućice ili kuće.
13. Korištenje alkohola, lijekova na recept ili lijekova koji se izdaju na recept može naštetiti potrošačevoj sposobnosti da pravilno sastavi ili sigurno koristi ovaj uređaj.
14. Nikada s ovim proizvodom nemojte koristiti ugljen, upaljač, kamenje lave, benzin, parafin ili alkohol.
15. Provjerite ima li curenja čak i ako je vašu jedinicu sastavio netko drugi.
16. Ne upotrebljavajte proizvod ako curi plin. Curenje plina može prouzročiti požar ili eksploziju.
17. Prije rada morate slijediti sve postupke provjere nepropusnosti. Da biste spriječili opasnost od požara ili eksplozije tijekom ispitivanja curenja:
 - a. Uvijek provedite test nepropusnosti prije paljenja roštilja i svaki put kada se spremnik priključi za upotrebu.
 - b. Zabranjeno pušenje. Držite se podalje od izvora paljenja prilikom provođenja ispitivanja nepropusnosti.
 - c. Provedite ispitivanje nepropusnosti na otvorenom u dobro prozračenom prostoru.
 - d. Nemojte koristiti šibice, upaljače ili plamen za provjeru curenja.
 - e. Ne koristite rešetku dok se ne isprave sva curenja. Ako ne uspijete otkloniti curenje, isključite dovod LP plina.
18. Ne držite i ne upotrebljavajte benzin, druge zapaljive tekućine ili pare na udaljenosti od 8 m od ovog uređaja.
19. Ne upotrebljavati u eksplozivnoj atmosferi. Područje roštilja neka bude čisto i bez zapaljivih materijala.
20. Uvijek držite sve zapaljive predmete i površine najmanje 1m od roštilja. Ne upotrebljavajte ovaj roštilj ili bilo koji plinoviti proizvod ispod bilo koje glave ili

u blizini bilo koje nezaštićene zapaljive strukture.

21. Nužno je održavati prostor oko ventila, plamenika i ventilacijskih otvora čistima. Pregledajte roštilj prije svake upotrebe.
22. Ni na koji način ne mijenjajte roštilj.
23. Ne koristite grill ako nije POTPUNO sastavljen i ako nisu svi dijelovi osigurani.
24. Ovaj roštilj treba redovito temeljito čistiti i pregledavati. Uvijek očistite i pregledajte crijevo prije upotrebe uređaja. Ako postoje tragovi abrazije, trošenja, posjekotina ili curenja, crijevo mora biti zamijenjeno prije puštanja uređaja u rad.
25. Koristite samo tvornički odobrene dijelove. Upotreba bilo kojeg dijela koji nije tvornički odobren može biti opasna.
26. Ne koristite ovaj uređaj bez čitanja odjeljka "Upute za uporabu" ovog priručnika.
27. Da biste izbjegli opekline, ne dodirujte metalne dijelove roštilja dok se potpuno ne ohladi (oko 45 min.).
28. Tijekom kuhanja oprema za gašenje požara mora biti lako dostupna. U slučaju požara masti, ne pokušavajte ugaziti vodom. Upotrijebite suhi kemijski aparat tipa ABC ili prigušite plamen prljavštinom, pijeskom ili sodom bikarbonom.
29. Ne instalirajte grill i ne koristite ga čamcima ili vozila za rekreaciju.
30. Ne koristite roštilj po jakom vjetru.
31. Nikada se ne naginjte nad roštilj prilikom paljenja.
32. Ne ostavljajte upaljeni roštilj bez nadzora, **UPOZORENJE!** djecu i kućne ljubimce uvijek držite dalje od roštilja.
33. Ne pokušavajte pomicati roštilj dok se koristi. Ostavite da se roštilj ohladi prije nego što ga izvadite ili spremite.
34. Roštilj se može čuvati u zatvorenom prostoru SAMO ako se spremnik odvoji, izvadi iz roštilja i pravilno čuva na otvorenom.
35. Uvijek pažljivo i polako otvorite poklopac roštilja jer vas vrućina i para zarobljeni mogu ozbiljno opeći.
36. Ne pokušavajte odspojiti regulator plina iz spremnika ili bilo kojeg plinskog okovja dok je roštilj u upotrebi.
37. Roštilj uvijek postavite na tvrdu i ravnu površinu. Površine trebaju biti prikladne za otpor porastu temperature od 50°C.
38. Budite izuzetno oprezni na drvenim podlogama.
39. Maknite crijeva za plin što je dalje moguće od vrućih površina i nakapanih vrućih masti.

40. Držite sve električne kabele dalje od vrućeg roštilja.
41. Ne koristite roštilj za kuhanje ili grijanje u zatvorenom. Otrova isparenja mogu se nakupiti i prouzročiti gušenje.
42. Nakon razdoblja skladištenja i / ili nekorištenja, provjerite ima li curenja, začepljenja plamenika i provjerite ima li abrazije, istrošenosti i posjekotina na crijevu.
43. Ne otvarajte poklopca prilikom paljenja plamenika roštilja ili ne čekajte 5 minuta da se plin sagori ako roštilj ne gori, može rezultirati eksplozivnim plamenom.
44. Ako se roštilj ne koristi, plin se mora isključiti na dovodnom spremniku i regulatoru.
45. Nikada nemojte koristiti roštilj bez ugrađenih grijaćih ploča.
46. Nemojte spremati rezervni spremnik za LP plin ispod ili u blizini ovog uređaja.
47. Cijevi se moraju zamijeniti kada to zahtijevaju prirodni uvjeti. Upotrijebite navedenu vrstu i duljinu.
48. Postavite spremnik uz roštilj tako da se crijevo ne zavrti i ne zapetlja.
49. Pazite da stojite dalje od bilo kojeg izvora paljenja kad mijenjate spremnik LP propan-plina.
50. Svaka preinaka uređaja može biti opasna.
51. Ako se strogo ne pridržavate gornjih uputa i upozorenja, može doći do smrti, ozbiljnih ozljeda ili oštećenja imovine.

SPECIFIKACIJE PROIZVODA

KOD UREĐAJA: X88-000010 / MODEL: G2082	
UKUPNI ULAZ TOPLINE (SVE KATEGORIJE PLINA)	5,5 kW (400 g/h)
KATEGORIJA PLINA	I3B/P (30)
VRSTE PLINA	PROPAN LP PLINSKE SMJESE
PRITISAK PLINA	30 mBar
VELIČINA INJEKTORA	GLAVNA: 0,84 mm
IDENTIFIKACIJSKI KOD	2575DM28150
UPOZORENJE: DOSTUPNI DIELOVI MOGU BITI VROUĆI. DRŽITE MALU DJECU DALJE OD GRILLA. PROČITAJTE UPUTE PRIJE UPOTREBE UREĐAJA.	
ZA KORIŠTENJE NA VANJSKIM PROSTORIMA I U DOBRO PROZRAČENIM PROSTORIMA.	
PALJENJE GLAVNI PLAMENIK: JEDNOSTRUKO PIEZO PALJENJE. SPECIFIČNI PLIN KOJI SE KORISTI: PROPAN (NA 30 mBar).	

KOD UREĐAJA: X88-000020 / MODEL: G9003B	
TOTAL HEAT INPUT (ALL GAS CATEGORIES)	8,4 kW (611 g/h)
GAS CATEGORY	I3B/P (30)
TYPES OF GAS	PROPANE LP GAS MIXTURES
GAS PRESSURE	30 mBar
INJECTOR SIZE	MAIN: 0,82 mm
IDENTIFICATION CODE	2575DM28150
UPOZORENJE: DOSTUPNI DIELOVI MOGU BITI VROUĆI. DRŽITE MALU DJECU DALJE OD GRILLA. PROČITAJTE UPUTE PRIJE UPOTREBE UREĐAJA.	
ZA KORIŠTENJE NA VANJSKIM PROSTORIMA I U DOBRO PROZRAČENIM PROSTORIMA.	
PALJENJE GLAVNI PLAMENIK: JEDNOSTRUKO PIEZO PALJENJE. SPECIFIČNI PLIN KOJI SE KORISTI: PROPAN (NA 30 mBar).	

MONTAŽA

PRIKLJUČIVANJE SPREMNIKA PLINA NA UREĐAJ

Ovaj je uređaj prikladan samo za upotrebu s ugrađenim propanskim plinovima niskog tlaka (TNG smjese) s odgovarajućim regulatorom niskog tlaka

putem fleksibilnog crijeva. Crijevo treba pričvrstiti na regulator i aparat s kopčama za crijeva. Ovaj roštilj postavljen je za rad sa regulatorom od 30 mbar LPG smjese. Molimo Vas da se obratite svom distributeru UNP-a za informacije o prikladnom regulatoru za spremnik za plin.

REGULATOR I CRIJEVO

Ovi predmeti nisu isporučeni s roštiljem, mogu se kupiti kod vašeg prodavača opreme ili kod ovlaštenog dobavljača LP plina. Koristite samo regulatore i crijeva odobrena za gore navedene plin pritisci. Očekivani životni vijek regulatora procjenjuje se na 10 godina. Preporučuje se da se regulator mijenja u roku od 10 godina od datuma proizvodnje. Upotreba pogrešnog regulatora ili crijeva nije sigurna; uvijek provjerite imate li ispravne predmete prije rukovanja roštiljem. Istrošeno ili oštećeno crijevo mora se zamijeniti. Pazite da crijevo ne bude začepljeno, savijeno ili u kontaktu s bilo kojim dijelom roštilja osim na njegovom spoju. Crijevo koje se koristi mora biti u skladu s odgovarajućim standardom za zemlju upotrebe.

POHRANA UREĐAJA

Skladištenje uređaja u zatvorenom prostoru dozvoljeno je samo ako je cilindar odspojen i izvađen iz uređaja. Kad se aparat ne koristi dulje vrijeme, treba ga čuvati u originalnom pakiranju i čuvati u suhom i bez prašine.

SPREMNIK ZA PLIN

Spremnik za plin ne smije se ispustiti ili rukovati s njim grubo! Ako se aparat ne koristi, cilindar mora biti odspojen. Vratite zaštitni poklopac na cilindar nakon što ste cilindar odvojili od uređaja. Cilindri se moraju čuvati na otvorenom u uspravnom položaju i izvan dohvata djece. Boca se nikada ne smije skladištiti tamo gdje temperature mogu doseći i više od 50°C. Nemojte čuvati cilindar u blizini plamena, pilot svjetla ili drugih izvora paljenja. NEMOJTE PUŠITI.

Ovaj roštilj je dizajniran za upotrebu na otvorenom, daleko od zapaljivih materijala. Važno je da nema gornjih prepreka i da postoji minimalna udaljenost od 1 metra od bočne ili stražnje strane uređaja. Važno je da otvori za ventilaciju uređaja ne budu začepljeni. Roštilj se mora koristiti na ravnoj, stabilnoj površini. Uređaj bi trebao biti zaštićen od izravnih propuha i postavljen ili zaštićen od izravnog kontakta s bilo kojom tekućom vodom. Korisnik ne smije mijenjati dijelove koje je zapečatio proizvođač ili njegov agent. Izmjena dijelova se ne smije obaviti na bilo kojem dijelu ovog roštilja, a popravke i održavanje smiju obavljati samo ovlašteni serviser.

PRIKLJUČAK NA UREĐAJ

Prije spajanja uređaja, osigurajte da je glava plinske boce, regulatora, čista i da nema zaostale prljavštine

kao i plamenika i priključaka na plamenik. Pauci i insekti mogu se ugnijezditi unutar i začepliti cijev plamenika / venturijeve cijevi na otvoru. Začepljeni plamenik može dovesti do požara u donjem dijelu uređaja. Pričvrstite crijevo na uređaj pomoću ključa za pričvršćivanje na priključni navoj. Ako je crijevo zamijenjeno mora biti osigurano na priključcima uređaja i regulatora pomoću obujmica za crijeva. Odvojite regulator od cilindra (prema uputama isporučenim s regulatorom) kada roštilj nije u upotrebi. Roštilj se mora koristiti u dobro prozračenom prostoru. Nemojte ometati protok zraka za izgaranje do plamenika dok se koristi roštilj. **KORISTITE OVAJ ROŠTILJ SAMO NA OTVORENOM PROSTORU, VANI.**

PROVJERITE DA LI CURI PLIN PRIJE UPOTREBE

Nikad ne provjeravajte ima li curenja otvorenim plamenom: uvijek koristite otopinu sapunice.

ZA PROVJERU PROVODA

Napravite 2-3 unce tekuće otopine za otkrivanje curenja miješanjem jednodijelne tekućine za pranje s 3 dijela vode. Provjerite je li kontrolni ventil u položaju "OFF". Spojite regulator na cilindar, a ON / OFF ventil na plamenik, provjerite jesu li spojevi osigurajte pa uključite plin. Nanesite sapunastu otopinu na crijevo i sve spojeve. Ako se pojave mjehurići, imate curenje, koje prije upotrebe morate ispraviti. Ponovno testirajte nakon otklanjanja kvara. ISKLJUČITE plin na boci nakon ispitivanja. Ako se otkrije curenje i ne može se otkloniti: ne pokušavajte popraviti curenje i kontaktirajte svoj plin trgovac!

UPUTSTVO ZA UPOTREBU

Pažljivo sastavite roštilj slijedeći upute. Spojite crijevo za plin na roštilj. Spojite regulator na crijevo. Spojite regulator na ventil cilindra prema uputama regulatora isporučenim uz regulator. Okrenite sve kontrolne gumb u položaj 'OFF' prije uključivanja dovoda plina u uređaj. Upravljajte regulatorom u skladu s uputama isporučenim s regulatorom.

ZAPALITE VAŠ ROŠTILJ (GLAVNI PLAMENIK)

UPUTE ZA PALJENJE

MODEL G2082 / X88-000010

1. Otvorite poklopac
2. Okrenite sve kontrolne gumb u smjeru kazaljke na satu u poziciju "OFF".
3. Priključite plinski regulator na plinsku bocu i na aparat. Okrenite dovod plina na plinskoj boci na "ON". Provjerite sapunicom ako negdje istječe plin između plinske boce i regulatora plina.
4. Pritisnite prema dolje lijevi kontrolni gumb i okrenite ga u smjeru obrnutom od kazaljke na satu u poziciju "FULL rate" dok potiskujete piezo gumb za paljenje 4 do 5 puta. Tako ćete upaliti plamenik. Promatrajte je li se plamenik upalio. Ako nije ponovite proces.

5. Ako se plamenik nije upalio nakon ponavljanja pričekajte 5 minuta i ponovite korak 3.
6. Prilagodite grijanje okretanjem gumba u poziciju High/Low.
7. Ako plamenik ne gori zapalite uređaj šibicom koristeći rupe za paljenje po strani uređaja.
8. Za paljenje desnog plamenika okrenite desni kontrolni gumb u poziciju punom snagom. Zapalit će lijevi plamenik. Uvijek palite uređaj s lijevog plamenika na desni plamenik.
9. Za isključivanje roštilja: zatvorite ventil na plinskoj boci i zatim okrenite kontrolne gumbe na uređaju u smjeru kazaljke na satu u poziciju "OFF".

MODEL G9003B / X88-000020

1. Otvorite poklopac
2. Okrenite sve kontrolne gumbe u smjeru kazaljke na satu u poziciju "OFF".
3. Priključite plinski regulator na plinsku bocu i na aparat. Okrenite dovod plina na plinskoj boci na "ON". Provjerite sapunicom ako negdje istječe plin između plinske boce i regulatora plina.
4. Pritisnite drugi upravljački gumb, prepoznatljiv po gromu (⚡), i istovremeno ga okrenite na "HII". Stiskom na gumb, trebalo bi zaiskriti i zapaliti glavni plamenik.
5. Ostale plamenike možete upaliti kad svijetli signalna lampica (⚡) glavnog plamenika, što znači da je uključena.
6. Ako postupak paljenja ne uspije, okrenite gumb u položaj "OFF", pričekajte malo i ponovite postupak 4.
7. Podesite plamen na željenu jakost pomoću kontrolne tipke.
8. Da biste isključili rešetku, odmah isključite plin ili regulator i vratite sve kontrole na "OFF".

UPOZORENJE: Ako se plamenik ne upali, okrenite kontrolni gumb (u smjeru kazaljke na satu) i također zatvorite ventil na plinskoj boci. Pričekajte 5 minuta prije ponovnog pokušaja paljenja.

ČIŠĆENJE I NJEGA

OPREZ: Sva čišćenja i održavanje treba provoditi kada je roštilj hladan i dovod goriva isključen na plinskoj boci.

ČIŠĆENJE

"Izgaranje" roštilja nakon svake upotrebe (približno 15 minuta) zadržat će višak taloga hrane na minimumu.

VANJSKA POVRŠINA

Koristite blagi deterđent ili sodu bikarbonu i otopinu vruće vode. Neabrazivni prašak za ribanje može se koristiti na tvrdokornim mrljama, a zatim isperite vodom. Ako unutarnja površina poklopca roštilja izgleda kao ljuštena boja, pečena na nakupinama masti pretvorila se u ugljik i ljušti se. Temeljito očistite jakom vrućom sapunicom. Isperite vodom i ostavite da se potpuno osuši. **NIKADA NE KORISTITE SREDSTVO ZA ČIŠĆENJE PEĆI.**

INTERIJER BAZE ZA ROŠTILJ

Uklonite ostatke četkom, strugalicom i / ili podlogom za čišćenje, a zatim operite sapunicom. Isperite vodom i ostavite da se osuši.

MREŽA ZA KUHANJE

Koristite blagu otopinu sapunice. Tada se na tvrdokornim mrljama može koristiti neabrazivno sredstvo za čišćenje koje se može isprati vodom.

ČIŠĆENJE SKLOPA PLAMENIKA

Isključite plin na upravljačkoj tipki i odvojite cilindar. Uklonite brzinu hlađenja. Očistite plamenik mekom četkom ili očistite komprimiranim zrakom i obrišite krpom. Očistite sve začepljene otvore čistačem za cijevi ili krutom žicom (kao što je otvorena spajalica). Pregledajte plamenik i obatite pažnju na oštećenja (pukotine ili rupe). Ako se utvrde oštećenja, zamijenite novim plamenikom. Vratite plamenik, provjerite jesu li otvori za plinski ventil pravilno postavljeni i osigurani unutar ulaza u plamenik (venturi).

SERVISIRANJE

Vaš plinski roštilj trebao bi godišnje servisirati nadležni i ovlašteni serviser.

ZAŠTITA OKOLIŠA

Ako proizvod nije više za uporabu, odnesite ga i pohranite u sabirnim mjestima namjenjenim za recikliranje elektroničkih i električnih aparata. Napomenite reference i simbole proizvoda, koji su na uputama ili pakiranju. Obratite se svojoj općini i zatražite adresu najbližeg sabirnog mjesta za reciklažu elektroničkih i električnih aparata.

UA

БАРБЕКЮ

ВАЖЛИВО:

- Уважно прочитајте наступні інструкції та переконайтеся, що ваш мангал правильно встановлений, зібраний та доглянутий. Недотримання цих інструкцій може призвести до серйозних тілесних ушкоджень та / або пошкодження майна. **ЗБЕРІГАЙТЕ ІНСТРУКЦІЇ ДЛЯ МАЙБУТНЬОЇ ДОВІДКИ.**
- Якщо у вас є які-небудь питання щодо складання або експлуатації цього виробу, проконсультуйтеся з дилером або постачальником газу.
- Переконайтеся, що прилад та резервуар для ГАЗУ стоять на рівній поверхні, коли використовуються на землі.
- Ніколи не запалюйте прилад ГУПОМ у закритому положенні.
- Ніколи не запалюйте і не використовуйте бічний пальник із закритою кришкою.
- Ваш мангал можна використовувати на балоні вагою від 6 до 11 кг.

- Під час запалення барбекю слід суворо дотримуватися таких дозволів:
- Бічні та задні частини приладу: 1 метр від будь-яких перешкод.
- Над приладом: **ЗАБОРОНЕНО НАКЛАДНІ ПЕРЕШКОДИ.**
- **ВИКОРИСТОВУЙТЕ ТІЛЬКИ НА ЗЗОВНІ.**
- **ПОПЕРЕДЖЕННЯ: ДОСТУПНІ ЧАСТИНИ МОЖУТЬ БУТИ ДУЖЕ ГАРЯЧИМИ. ТРИМАЙТЕ МАЛИХ ДІТЕЙ НА ВІДСТАНІ.**
- **НЕ ПЕРЕМІЩАЙТЕ ПРИЛАД ПІД ЧАС ВИКОРИСТАННЯ.**

ЯКЩО ВИ ЧУЄТЕ ЗАПАХ ГАЗУ

- Закрийте подачу газу на барбекю
- Загасить будь-яке відкрите полум'я
- Відкрийте кришку
- Якщо запах не зникає, тримайтеся подалі від приладу та негайно зателефонуйте своєму постачальнику газу або пожежному відділу.
- Не зберігайте пропан-балон для зрідженого газу на відстані 4 м від цього приладу.
- Не зберігайте та не використовуйте бензин та інші рідини із займистими парами на відстані 8 м від цього / будь-якого іншого подібного приладу.
- Балони для газу - (не підключені для використання) ніколи не слід зберігати поблизу цього / будь-якого іншого подібного приладу.

ПОПЕРЕДЖЕННЯ

1. Цей мангал призначений лише для зовнішнього використання, і його не слід використовувати в будівлі, гаражі чи будь-якому іншому приміщенні.
2. Це барбекю НЕ комерційний виріб.
3. Це барбекю слід використовувати лише з LP газовим сумішем. Використання природного газу або перетвореного продукту, дуже небезпечно.
4. Характеристики LP газу:
 - a. LP газ є легкозаймистим і небезпечним при неправильному поводженні. Перед використанням будь-якого газового продукту LP уважно прочитайте технічні характеристики.
 - b. Газ LP вибухонебезпечний під тиском, важчий за повітря і осідає в басейнах на низьких ділянках.
 - c. Зріджений газ у своєму природному стані не має запаху. Задля безпеки додають одорант, який пахне гнилою капустою.
 - d. Контакт з газом LP може спричинити замерзання шкіри.

5. Балон повинен бути обладнаний клапаном бака.
6. Балон повинен бути обладнаний ковпаком бака для захисту клапана бака.
7. Ніколи не використовуйте пропан-балон з пошкодженим корпусом, клапаном, коміром, або основою.
8. Нафтові або іржаві резервуари для газу можуть бути небезпечними, і перед використанням їх повинен перевірити постачальник газу.
9. Газовий балон не можна скидати або грубо поводитися з ним.
10. Газовий балон повинен зберігатись на відкритому повітрі, у недоступному для дітей місці, та не у будівлі, гаражі чи будь-якому іншому закритому приміщенні. Забороняється зберігати газовий балон для зрідженого газу там, де температура може перевищувати 50°C.
11. Ніколи не тримайте наповнений газовий балон у гарячому автомобілі або багажнику. Нагрівання призведе до підвищення тиску газу, що може відкрити запобіжний клапан і газ може вийти.
12. Ніколи не намагайтесь прикріпити це барбекю до автономної газової системи LP причепа, автодома чи будинку.
13. Вживання алкоголю, ліків, що відпускаються за рецептом, або ліків, що відпускаються без рецепта, може погіршити здатність споживача правильно зібрати або безпечно експлуатувати цей прилад.
14. Ніколи не використовуйте з цим приладом деревне вугілля, запальну рідину, породи лави, бензин, парафін або спирт.
15. Перевірте наявність герметичності, навіть якщо ваш пристрій був зібраний кимось іншим.
16. Не використовуйте виріб, якщо в ньому витікає газ. Витік газу можуть спричинити пожежу або вибух.
17. Перед початком роботи необхідно дотримуватися всіх процедур перевірки витоків. Щоб запобігти пожежі або вибуху під час випробувань на герметичність:
 - a. Завжди виконуйте тест на герметичність перед тим, як запалювати гриль, і кожного разу, коли балон підключається для використання.
 - b. Палити заборонено. Тримайте прилад подалі від джерел займання, проводячи тест на герметичність.
 - c. Проведіть тест на герметичність на відкритому повітрі чи в добре провітрюваному приміщенні.
 - d. Не використовуйте сірники, запальнички або полум'я для перевірки герметичності.
 - e. Не використовуйте барбекю, доки не виправите всі витіки. Якщо ви не можете усунути витік, відключіть подачу газового палива.
18. Не зберігайте та не використовуйте бензин, інші легкозаймисті рідини чи пари на відстані 8 м від цього приладу.
19. Не використовувати у вибухонебезпечній атмосфері. Тримайте зону гриля чистою та вільною від горючих матеріалів.
20. Завжди тримайте всі горючі предмети та поверхні на відстані принаймні 1 м від прилада. Не використовуйте цей гриль або будь-який газовий продукт під будь-якою верхньою частиною або поблизу незахищених горючих конструкцій.
21. Важливо підтримувати відсік клапана гриля, пальників та вентиляційних отворів у чистоті. Оглядайте барбекю перед кожним використанням.
22. Ні в якому разі не змінюйте нічого на приладі.
23. Не використовуйте прилад, якщо він не повністю зібраний, та не переконавшись, що всі деталі надійно закріплені та затягнуті.
24. Цей гриль слід ретельно чистити та регулярно перевіряти. Завжди чистіть та оглядайте шланг перед використанням приладу. Якщо є ознаки стирання, зносу, порізів або витоків, шланг необхідно замінити перед введенням в експлуатацію приладу.
25. Використовуйте лише дозволені виробником деталі. Використання будь-якої деталі, яка не дозволена виробником, може бути небезпечно.
26. Не використовуйте цей прилад, не прочитавши розділу «Інструкції з використання» цього посібника.
27. Щоб уникнути опіків, не торкайтесь жодних металевих частин барбекю, поки прилад повністю не охолоне (близько 45 хв.).
28. Під час приготування їжі, обладнання для пожежогасіння має бути легкодоступним. У разі загоряння жиру, не намагайтесь загасити його водою. Використовуйте сухий хімічний вогнегасник типу АВС або загасіть полум'я ґрунтом, піском або харчовою содою.
29. Не встановлюйте та не використовуйте на човнах чи на транспортних засобах для відпочинку.
30. Не використовуйте гриль при сильному вітрі.
31. Ніколи не нахиляйтесь над палаючим приладом.
32. Не залишайте запалений гриль без нагляду, **ПОПЕРЕДЖЕННЯ!** завжди тримайте дітей та домашніх тварин подалі від гриля.
33. Не намагайтесь рухати прилад під час використання. Дайте барбекю охолонути, перш ніж його переміщати або зберігати.
34. Гриль можна зберігати в приміщенні ТІЛЬКИ якщо балон від'єднати, вийняти з гриля та правильно його зберігати на відкритому повітрі.
35. Завжди обережно і повільно відкривайте кришку гриля, оскільки тепло і пара всередині, можуть сильно вас обпекти.
36. Не намагайтесь від'єднати газовий регулятор від балона або будь-якого газового штуцера, поки використовується прилад.
37. Завжди кладіть гриль на тверду і рівну поверхню. Поверхні повинні бути придатними для протистояння підвищенню температури до 50°C.
38. Будьте дуже обережні на дерев'яних настилах.
39. Відсуньте газові шланги якомога далі від гарячих поверхонь та крапель гарячого жиру.
40. Тримайте всі електричні шнури подалі від гарячого гриля.
41. Не використовуйте гриль для приготування їжі або опалення в приміщенні. Токсичні випари можуть накопичуватися і спричинити задуху.
42. Після періоду зберігання та / або невикористання, перевірте на герметичність, перешкоди пальника та перевірте, чи немає стирання, зносу та порізів шланга.
43. Якщо не відкрити кришку під час займання пальників гриля, або не зачекати 5 хвилин, щоб газ просочився, якщо гриль не запалений, це може призвести до вибухового спалаху.
44. Якщо гриль не використовується, газ потрібно вимкнути у подаючому балоні та регуляторі.
45. Ніколи не працюйте з приладом без встановлених нагрівальних пластин.
46. Не зберігайте запасний балон під цим приладом або поблизу нього.

47. Трубки повинні бути замінені, коли це вимагається природними умовами. Використовуйте вказаний тип та довжину.
48. Розташуйте балон біля барбекю так, щоб шланг не загинався і не закручувався.
49. Переконайтесь, що ви стоїте подалі від будь-якого джерела займання під час заміни газового балона для пропану.
50. Будь-які модифікації приладу можуть бути небезпечними.
51. Смерть, серйозні тілесні ушкодження або пошкодження майна можуть наступити, якщо ви не суворо дотримуетесь вищевказаних інструкцій та попереджень.

ХІМІЧНІ ХАРАКТЕРИСТИКИ ВИРОБУ

КОД ПРИЛАДУ: X88-000010 / МОДЕЛЬ: G2082	
ЗАГАЛЬНИЙ ВХІД ТЕПЛА (ВСІ КАТЕГОРІЇ ГАЗУ)	5,5 кВт (400 г / год)
КАТЕГОРІЯ ГАЗУ	I3B/P (30)
ВИДИ ГАЗУ	ПРОПАНОВІ ГАЗОВІ СУМІШІ
ТИСК ГАЗУ	30 мбар
РОЗМІР ІНЖЕКТОРА	ОСНОВНИЙ: 0,84 мм
ІДЕНТИФІКАЦІЙНИЙ КОД	2575DM28150
ПОПЕРЕДЖЕННЯ: ДОСТУПНІ ЧАСТИНИ МОЖУТЬ БУТИ ДУЖЕ ГАРЯЧИМИ. ТРИМАЙТЕ МАЛИХ ДІТЕЙ НА ВІДСТАНІ. ПРОЧИТАЙТЕ ІНСТРУКЦІЮ ЩОДО ВИКОРИСТАННЯ ПРИЛАДУ.	
ДЛЯ ВИКОРИСТАННЯ НА ЗЗОВНІ ТА В ДОБРО ВЕНТИЛЬОВАНИХ ЗОНАХ.	
ЗАПАЛЮВАННЯ: ГОЛОВНИЙ ПАЛЬНИК: П'ЄЗОБЛОК ЗАПАЛЮВАННЯ ОДНОРАЗОВИЙ. СПЕЦИФІЧНИЙ ГАЗ, ЯКИЙ СЛІД ВИКОРИСТОВУВАТИ: ПРОПАН (30 мбар).	

КОД ПРИЛАДУ: X88-000020 / МОДЕЛЬ: G9003B	
TOTAL HEAT INPUT (ALL GAS CATEGORIES)	8,4 кВт (611 г / год)
КАТЕГОРІЯ ГАЗУ	I3B/P (30)
ВИДИ ГАЗУ	ПРОПАНОВІ ГАЗОВІ СУМІШІ
ТИСК ГАЗУ	30 мбар
РОЗМІР ІНЖЕКТОРА	ОСНОВНИЙ: 0,82 мм
ІДЕНТИФІКАЦІЙНИЙ КОД	2575DM28150
ПОПЕРЕДЖЕННЯ: ДОСТУПНІ ЧАСТИНИ МОЖУТЬ БУТИ ДУЖЕ ГАРЯЧИМИ. ТРИМАЙТЕ МАЛИХ ДІТЕЙ НА ВІДСТАНІ. ПРОЧИТАЙТЕ ІНСТРУКЦІЮ ЩОДО ВИКОРИСТАННЯ ПРИЛАДУ.	
ДЛЯ ВИКОРИСТАННЯ НА ЗЗОВНІ ТА В ДОБРО ВЕНТИЛЬОВАНИХ ЗОНАХ.	
ЗАПАЛЮВАННЯ: ГОЛОВНИЙ ПАЛЬНИК: П'ЄЗОБЛОК ЗАПАЛЮВАННЯ ОДНОРАЗОВИЙ. СПЕЦИФІЧНИЙ ГАЗ, ЯКИЙ СЛІД ВИКОРИСТОВУВАТИ: ПРОПАН (30 мбар).	

МОНТАЖ

ПІДКЛЮЧЕННЯ ГАЗОВОГО БАЛОНУ ДО ПРИЛАДУ

Цей прилад придатний лише для використання з пропановим газом низького тиску (суміш зрідженого газу) з відповідним регулятором низького тиску через гнучкий шланг. Шланг повинен бути закріпленний на регулятор та прилад із затискачами для шлангів. Цей мангал призначений для роботи з регулятором 30 мбар. Проконсультуйтеся із дилером по зрідженому газу для отримання інформації щодо відповідного регулятора для паливного бака.

РЕГУЛЯТОР І ШЛАНГ

Ці предмети не постачаються разом із мангалом, їх можна придбати у продавця обладнання або у уповноваженого постачальника газу. Використовуйте лише регулятори та шланги,

дозволені для зрідженого газу з вищевказаним тиском. Тривалість праці регулятора оцінюється в 10 років. Рекомендується замінити регулятор протягом 10 років з дати виготовлення. Використання неправильного регулятора або шланга небезпечно; Завжди перевіряйте наявність відповідних предметів перед тим, як користуватися мангалом. Зношений або пошкоджений шланг потрібно замінити. Переконайтесь, що шланг не заблокований, не зігнутий та не контактує з будь-якою частиною барбекю, крім місця його з'єднання. Шланг, який використовується, повинен відповідати стандарту щодо країни використання.

ЗБЕРІГАННЯ ПРИЛАДУ

Зберігання приладу в приміщенні дозволено лише в тому випадку, якщо балон від'єднано та витягнуто з приладу. Коли прилад не використовується протягом тривалого періоду часу, його слід зберігати в оригінальній упаковці, в сухому та вільному від пилу середовищі.

ПАЛИВНИЙ БАК

Не можна скидати паливний бак або грубо поводитися з ним! Якщо прилад не використовується, балон повинен бути відключений. Після від'єднання балона від приладу встановіть захисний ковпачок на циліндрі. Балони слід зберігати на відкритому повітрі у вертикальному положенні та в недоступному для дітей місці. Ніколи не можна зберігати балон там, де температура може перевищувати 50°C. Не зберігайте балон поблизу полум'я, контрольних вогнів та інших джерел займання. НЕ ПАЛИТИ.

Цей мангал призначений для використання на відкритому повітрі, далеко від будь-яких легкозаймистих матеріалів. Важливо, щоб не було накладних перешкод, а також відстань мінімум 1 метр збоку або позаду приладу. Важливо, щоб вентиляційні отвори приладу не були перекриті. Мангал потрібно використовувати на рівній, стійкій поверхні. Прилад повинен бути захищений від прямого протягу, а також повинен бути розміщений або захищений від прямого контакту з будь-якою струменевою водою.

Користувач не повинен змінювати деталі, опечатані виробником або його агентом. Ніяких модифікацій не слід робити на будь-яку частину цього барбекю, а ремонт та технічне обслуговування має проводити лише кваліфікований фахівець в авторизованому сервісному центрі.

ПІДКЛЮЧЕННЯ ДО ПРИЛАДУ

Перед підключенням приладу переконайтесь, що в головку газового балона, регулятора, не потрапило сміття, а також в пальники та порти

пальника. Павуки та комахи можуть гніздитися всередині та закупорювати пальник / трубку біля відкриття. Засмічений пальник може призвести до пожежі в нижній частині приладу. Прикріпіть шланг до приладу за допомогою гайкового ключа, щоб затягнути його на з'єднувальну різьбу. Якщо шланг замінений, він повинен бути прикріплений до приладу та з'єднання регулятора за допомогою шлангових затискачів. Відключіть регулятор від балона (відповідно до вказівок, що додаються до регулятора), коли мангал не використовується. Барбекю потрібно використовувати в добре провітрюваному приміщенні. Не перешкоджайте надходженню повітря згоряння до пальника, коли використовується мангал. ВИКОРИСТОВУЙТЕ ЦЕ БАРБЕКУ ТІЛЬКИ ЗЗОВНІ.

ПЕРЕВІРЯЙТЕ НА ВИТОКИ ПЕРЕД ВИКОРИСТАННЯМ

Ніколи не перевіряйте герметичність відкритим полум'ям: завжди використовуйте мильний водний розчин.

ПЕРЕВІРКА НА ВИТІК

Зробіть 2-3 унції розчину рідини для виявлення витоків, змішавши однокомпонентну мийну рідину з 3 частинами води. Переконайтесь, що регулюючий клапан увімкнено. Підключіть регулятор до циліндра, а клапан увімкнення / вимкнення - до пальника, переконайтесь, що з'єднання є, та потім увімкніть газ. Нанесіть мильний розчин на шланг і всі з'єднання. Якщо з'являються бульбашки, у вас витік, який перед використанням необхідно усунути. Перевірте після усунення несправності. Після випробування вимкніть газ у балоні. Якщо виявлено витік, який неможливо усунути: не намагайтеся усунути витік і зверніться до свого постачальника газу!

ІНСТРУКЦІЯ З ВИКОРИСТАННЯ

Збирайте мангал обережно, дотримуючись інструкцій. Підключіть газовий шланг до барбекю. Підключіть регулятор до шланга. Підключіть регулятор до клапана циліндра відповідно до інструкції щодо регулятора, які додаються до регулятора. Поверніть усі ручки управління в положення «ВИМК.» перед увімкненням подачі газу до приладу. Експлуатуйте регулятор відповідно до інструкцій, що додаються до регулятора.

ЗАПАЛЕННЯ ВАШОГО БАРБЕКУ (ОСНОВНИЙ ПАЛЬНИК)

ІНСТРУКЦІЯ ЗАПАЛЕННЯ МОДЕЛЬ G2082 / X88-000010

1. Відкрийте кришку.
2. Поверніть всі регуляторні ручки за годинниковою стрілкою у положення "OFF".
3. Підключіть регулятор тиску газу до газового балону. Увімкніть подачу газу "ON" на газовому балоні. Перевірте пристрій на предмет

протікання газу за допомогою мильної води між балоном та регулятором тиску газу.

4. Натисніть ліву кнопку керування та поверніть її проти годинникової стрілки у положення "Повне увімкнення", одночасно натискаючи кнопку п'єзо запалювання 4 або 5 разів. Це запалить пальник. Перевірте, чи горить пальник. Якщо ні, повторіть цей процес ще раз.
5. Якщо пальник після повторної спроби не горить, зачекайте 5 хвилин і повторіть крок 3.
6. Відрегулюйте висоту полум'я, повернувши регулятор у положення Високий / Низький.
7. Якщо пальник не запалюється. Запаліть пристрій сірником через запальний отвір збоку пристрою.
8. Щоб запалити правий пальник, поверніть праву кнопку управління до кінця в положення повного запалення, він запалиться через лівий пальник. Завжди запалюйте прилад від лівого пальника до правого.
9. Щоб вимкнути мангал: Закрийте клапан газового балона, а потім поверніть регулювальні ручки на приладі за годинниковою стрілкою у положення «OFF».

МОДЕЛЬ G9003B / X88-000020

1. Відкрийте кришку.
2. Поверніть всі регуляторні ручки за годинниковою стрілкою у положення "OFF".
3. Підключіть регулятор тиску газу до газового балону. Увімкніть подачу газу "ON" на газовому балоні. Перевірте пристрій на предмет протікання газу за допомогою мильної води між балоном та регулятором тиску газу.
4. Натисніть другу кнопку управління, яку можна ідентифікувати за допомогою символу блискавки (⚡), і одночасно поверніть її на "HI". Роблячи це, запалювання повинно іскрити і запалюється основний пальник.
5. Ви можете запалити інші пальники, коли індикатор основного пальника (⚡) показує, що він горить.
6. Якщо процес освітлення не працює, поверніть кнопку у положення «OFF», почекайте кілька хвилин і повторіть крок 4.
7. Відрегулюйте полум'я до бажаної сили за допомогою кнопки управління.
8. Щоб вимкнути барбекю, безпосередньо вимкніть газ або регулятор і поверніть усі елементи управління в положення «OFF».

ПОПЕРЕДЖЕННЯ: якщо пальник не запалюється, вимкніть регулятор (за годинниковою стрілкою), а також викрутіть клапан газового балона. Зачекайте п'ять хвилин, перш ніж спробувати запалити знову з послідовністю запалювання.

ОЧИЩЕННЯ ТА ДОГЛЯД

ПОПЕРЕДЖЕННЯ: Очищення та технічне обслуговування слід проводити, коли барбекю прохолодне і вимкнено подача палива на газовому балоні.

ОЧИЩЕННЯ

«Випалюючи» мангал після кожного використання (приблизно 15 хвилин), залишатиметься кількість залишок їжі до мінімуму.

ЗОВНІШНЯ ПОВЕРХНЯ

Використовуйте м'який миючий засіб або харчову соду та розчин гарячої води. Неабразивний чистячий порошок можна використовувати на стійких плямах, потім змити водою. Якщо внутрішня поверхня кришки барбекю має вигляд облупленої фарби, запечена на накопиченні жиру перетворилася на вуглець і відшаровується. Ретельно очистіть сильним гарячим мильним розчином. Змийте водою і дайте повністю висохнути. **НИКОЛИ НЕ ВИКОРИСТОВУЙТЕ ОЧИЩУВАЧ ДЛЯ ПЕЧІ.**

КОРПУС БАРБЕКЮ

Видаліть залишки за допомогою щітки, скребка та / або чистячої губки, а потім промийте мильним водним розчином. Змийте водою і дайте висохнути.

РЕШІТКА ДЛЯ ГОТУВАННЯ

Використовуйте м'який мильний водний розчин. Тоді на абразивних плямах можна застосовувати неабразивне чищення та змити водою.

ОЧИЩЕННЯ ПАЛЬНИКА

Вимкніть газ на ручці управління та від'єднайте циліндр. Зніміть охолоджену швидкість. Очистіть пальник м'якою щіткою або продуйте стисненим повітрям і протріть ганчіркою. Очистіть усі засмічені отвори очищувачем для труб або жорстким дротом (наприклад, відкритою скріпкою). Перевірте пальник на наявність пошкоджень (тріщин або отворів). Якщо виявлено пошкодження, замініть новим пальником. Повторно встановіть пальник, переконайтесь, що отвори газового клапана правильно встановлені та закріплені всередині вхідного отвору пальника (Вентурі).

ОБСЛУГОВУВАННЯ

Щороку ваш газовий мангал повинен обслуговувати компетентний та зареєстрований фахівець.

НАВКОЛИШНЄ СЕРЕДОВИЩЕ

Коли цей апарат досяг кінця робочого терміну, здайте його в пункт збору електричних та електронних апаратів для повторного

використання. Ознайомтеся з символами, зазначеними на апараті, інструкції використання або упаковці. Зверніться в муніципалітет за адресою стосовно відповідного пункту збору у вашому районі.

RO BARBECUE

IMPORTANT:

- Citiți cu atenție aceste instrucțiuni și asigurați-vă că grătarul dvs. este instalat, asamblat și îngrijit corect. Nerespectarea acestor instrucțiuni poate duce la vătămări corporale grave și / sau daune materiale. **PĂSTRAȚI PENTRU REFERINȚE VIITOARE.**
- Dacă aveți întrebări cu privire la asamblarea sau funcționarea acestui produs, consultați distribuitorul sau furnizorul local de Gaz.
- Asigurați-vă că aparatul și rezervorul de GAZ stau pe o suprafață plană atunci când sunt folosite la sol.
- Nu aprindeți niciodată aparatul cu CAPACUL în poziția închis.
- Nu aprindeți niciodată și nu folosiți arzătorul lateral cu capacul în poziția închis.
- Grătarul dvs. poate fi folosit cu un rezervor de gaz de 6 până la 11 kg.
- La aprinderea grătarului, trebuie respectate cu strictețe următoarele prevederi:
 - Lateralele și spatele aparatului: la 1 metru de orice obstacol.
 - Deasupra aparatului: **NU ESTE PERMISĂ NICIO OBSTRUȚIE SUPERIOARĂ.**
 - **FOLOȘIȚI NUMAI ÎN EXTERIOR.**
 - **AVERTISMENT: PĂRȚILE ACCESIBILE POT FI FOARTE FIERBINȚI. ȚINEȚI COPIII LA DISTANȚĂ DE ACEST APARAT.**
 - **NU MUTAȚI APARATUL ÎN TIMPUL GĂTITULUI.**

DACĂ MIROȘIȚI GAZ

- Opriți alimentarea cu gaz a grătarului.
- Stingeți orice flacără deschisă
- Lăsați capacul deschis.
- Dacă mirosul persistă, stați departe de aparat și sunați imediat furnizorul de gaz sau pompierii.
- Nu depozitați butelii de propan GPL la mai puțin de 4m de acest aparat.
- Nu depozitați și nu utilizați benzină sau alte lichide cu vapori inflamabili la o distanță mai mică de 8 m de acest / orice alt aparat similar.
- Rezervoarele de gaz- (care nu sunt conectate pentru utilizare) nu trebuie depozitate niciodată în apropierea acestui / a oricărui alt aparat similar.

AVERTIZĂRI

1. Acest grătar este destinat exclusiv utilizării în aer liber și nu trebuie utilizat într-o clădire, garaj sau în orice altă zonă închisă.
2. Acest grătar NU este pentru uz comercial.
3. Acest grătar trebuie utilizat numai cu propan LP AMESTEC DE GAZ. Utilizarea gazelor naturale sau transformarea produsului pentru a putea face posibil acest lucru este periculoasă.
4. Caracteristicile gazului LP:
 - a. Gazul LP este inflamabil și periculos dacă este utilizat necorespunzător. Citiți cu atenție specificațiile înainte de a utiliza orice produs cu gaz LP.
 - b. Gazul LP este exploziv sub presiune, mai greu decât aerul și se depune în bazine în zone joase.
 - c. Gazul LP în starea sa naturală nu are miros. Pentru siguranță, se adaugă o substanță care miroase a varză putredă.
 - d. Contactul cu gaz LP poate provoca arsuri prin îngheț pe piele.
5. Rezervorul de gaz trebuie să fie prevăzut cu o supapă.
6. Rezervorul de gaz trebuie să fie prevăzut cu o garnitură pentru a proteja supapa rezervorului.
7. Nu folosiți niciodată un rezervor de gaz propan LP cu corpul, supapa, garnitura sau baza deteriorate.
8. Rezervoarele de gaz LP deformate sau ruginite pot fi periculoase și trebuie verificate de către furnizorul dvs. de gaz LP înainte de utilizare.
9. Rezervorul de gaz LP nu trebuie scăpat din mână sau manipulat agresiv.
10. Rezervorul de gaz LP trebuie depozitat în aer liber, într-un loc inaccesibil copiilor și nu trebuie depozitat într-o clădire, garaj sau în orice altă zonă închisă. Rezervorul de gaz LP nu trebuie depozitat niciodată acolo unde temperaturile pot depăși 50°C.
11. Nu țineți niciodată un rezervor de gaz LP plin într-o mașină sau barcă când sunt încălzite. Căldura va determina creșterea presiunii gazului, ceea ce poate deschide supapa de siguranță și permite evacuarea gazului.
12. Nu încercați niciodată să atașați acest grătar la sistemul de gaz LP al unei rulote, al autoturismului sau casei.
13. Utilizarea alcoolului, a medicamentelor eliberate pe bază de prescripție medicală sau fără prescripție medicală pot afecta capacitatea utilizatorului de a asambla sau de a opera în siguranță acest aparat.
14. Nu folosiți niciodată cărbune, lichid pentru brichete, pietre de lavă, benzină, parafină sau alcool cu acest produs.
15. Verificați dacă există scurgeri de gaz chiar dacă unitatea dvs. a fost asamblată de altcineva.
16. Nu folosiți produsul dacă sesizați scurgeri de gaz. Scurgerile de gaz pot provoca un incendiu sau explozii.
17. Trebuie să urmați toate procedurile de verificare a scurgerilor de gaz înainte de operare. Pentru a preveni pericolul de incendiu sau explozie la constatarea unei scurgeri:
 - a. Efectuați întotdeauna un test de scurgere înainte de a aprinde grătarul și de fiecare dată când rezervorul este conectat pentru utilizare.
 - b. Fumatul este interzis. Păstrați departe de orice sursă de aprindere atunci când efectuați un test de scurgere.
 - c. Efectuați testul de scurgere în aer liber într-o zonă bine ventilată.
 - d. Nu folosiți chibrituri, brichete sau flacăra pentru a verifica scurgerile.
 - e. Nu folosiți grătarul până când nu se elimină toate scurgerile. Dacă nu puteți remedia scurgerea, deconectați alimentarea cu gaz LP.
18. Nu depozitați și nu utilizați benzină, alte lichide sau vapori inflamabili la mai puțin de 8 m de acest aparat.
19. A nu se utiliza într-o atmosferă inflamabilă. Păstrați zona grătarului liberă și fără materiale combustibile.
20. Păstrați întotdeauna toate obiectele și suprafețele inflamabile la cel puțin 1m distanță de grătar. Nu utilizați acest grătar sau niciun produs gazos sub niciun fel de acoperiș sau lângă nicio structură inflamabilă neprotejată.
21. Este esențial să păstrați curat compartimentul supapei grătarului, arzătoarele și orificiile de aerisire circulante. Inspectați grătarul înainte de fiecare utilizare.
22. Nu modificați în niciun fel grătarul.
23. Nu utilizați grătarul decât dacă este complet asamblat și toate piesele sunt bine fixate și strânse.
24. Acest grătar trebuie curățat temeinic și inspectat în mod regulat. Curățați întotdeauna și inspectați furtunul înainte de a utiliza aparatul. Dacă există dovezi de abraziune, uzură, tăieturi sau scurgeri, furtunul trebuie înlocuit înainte de punerea în funcțiune a aparatului.
25. Utilizați numai piese autorizate din fabrică. Utilizarea oricărei piese care nu este autorizată din fabrică poate fi periculoasă.
26. Nu utilizați acest aparat fără să citiți secțiunea „Instrucțiuni de utilizare” din acest manual.
27. Pentru a evita arsurile, nu atingeți părțile metalice ale grătarului până când nu s-a răcit complet (aproximativ 45 de minute).
28. La gătit, echipamentul de stingere a incendiilor trebuie să fie ușor accesibil. În cazul unui incendiu cu grăsimi, nu încercați să stingeți cu apă. Folosiți un extingtor chimic uscat de tip ABC sau înăbușiți flăcările cu gunoaie, nisip sau bicarbonat de sodiu.
29. Nu instalați și nu utilizați în bărci sau vehicule de agrement.
30. Nu folosiți grătarul când este vânt puternic.
31. Nu vă aplecați niciodată peste grătar atunci când aprindeți.
32. Nu lăsați un grătar aprins nesupravegheat, **AVERTISMENT!** țineți întotdeauna copiii și animalele de companie departe de grătar.
33. Nu încercați să mișcați grătarul când îl folosiți. Lăsați grătarul să se răcească înainte să îl îndepărtați sau să îl depozitați.
34. Grătarul poate fi depozitat în interior DOAR dacă rezervorul este deconectat, scos din grătar și depozitat corespunzător în aer liber.
35. Deschideți întotdeauna capacul grătarului cu grijă și încet, deoarece căldura și aburul prinse în interior vă pot arde grav.
36. Nu încercați să deconectați regulatorul de gaz de la rezervor sau orice accesoriu de gaz în timp ce grătarul este utilizat.
37. Așezați întotdeauna grătarul pe o suprafață dură și plană. Suprafețele trebuie să fie adecvate pentru a rezista la o creștere a temperaturii de 50°C.
38. Aveți grijă extremă pe punțile de lemn.
39. Îndepărtați furtunurile de gaz cât mai departe posibil de suprafețele fierbinți și de scurgerea de grăsimi fierbinte.
40. Păstrați toate cablurile electrice la distanță de un grătar fierbinte.
41. Nu folosiți grătarul pentru gătit sau încălzire în interior. Fumul toxic se poate acumula și poate provoca asfixiere.
42. După o perioadă de depozitare și / sau neutilizare, verificați scurgerile, obstrucțiile arzătorului și verificați dacă există abraziune, uzură și tăieturi ale furtunului.
43. Neindepartarea capacului în timpul aprinderii arzătoarelor grătarului sau neașteptarea a 5 minute pentru

a permite împrăștierea gazului dacă grătarul nu se aprinde, poate duce la aprinderea explozivă.

44. Dacă grătarul nu este utilizat, gazul trebuie oprit la rezervorul de alimentare și la regulator.
45. Nu utilizați niciodată grătarul fără plăcile de încălzire instalate.
46. Nu depozitați un rezervor de rezervă LP sub sau în apropierea acestui aparat.
47. Tubulatura trebuie înlocuită atunci când condițiile naturale o impun. Folosiți tipul și lungimea specificate.
48. Poziționați rezervorul lângă grătar astfel încât furtunul să nu stea răsucit și să nu se poată răsuci.
49. Asigurați-vă că stați departe de orice sursă de aprindere atunci când schimbați rezervorul de gaz LP propan.
50. Orice modificare a aparatului poate fi periculoasă.
51. Pot surveni decese, vătămări grave sau daune materiale dacă nu respectați cu strictețe instrucțiunile și avertismentele de mai sus.

SPECIFICAȚIILE PRODUSULUI

CODUL APARATULUI: X88-000010 / MODEL: G2082	
INTRARE TOTALĂ DE CĂLDURĂ (TOATE CATEGORIILE DE GAZ)	5,5 kW (400 g/h)
CATEGORIE DE GAZ	I3B/P (30)
TIPURI DE GAZ	AMESTECURI DE GAZ LP PROPAN
PRESIUNEA GAZULUI	30 mBar
MĂRIME INJECTOR	PRINCIPAL: 0,84 mm
COD DE IDENTIFICARE	2575DM28150
AVERTISMENT: PIESELE ACCESIBILE POT FI FOARTE FIERBINȚI. A SE FERI DE COPII. CITIȚI INSTRUCȚIUNILE ÎNAINTE DE A UTILIZA APARATUL.	
PENTRU UTILIZARE ÎN EXTERIOR ȘI ÎN ZONE BINE VENTILATE.	
APRINDERE ARZĂTOR PRINCIPAL: UNITATE DE APRINDERE PIEZO CU O SINGURĂ SCAPARARE. GAZ SPECIFIC CARE TREBUIE UTILIZAT: PROPAN (LA 30 mBar).	

CODUL APARATULUI: X88-000020 / MODEL: G9003B	
INTRARE TOTALĂ DE CĂLDURĂ (TOATE CATEGORIILE DE GAZ)	8,4 kW (611 g/h)
CATEGORIE DE GAZ	I3B/P (30)
TIPURI DE GAZ	AMESTECURI DE GAZ LP PROPAN
PRESIUNEA GAZULUI	30 mBar
MĂRIME INJECTOR	PRINCIPAL: 0,82 mm
COD DE IDENTIFICARE	2575DM28150
AVERTISMENT: PIESELE ACCESIBILE POT FI FOARTE FIERBINȚI. A SE FERI DE COPII. CITIȚI INSTRUCȚIUNILE ÎNAINTE DE A UTILIZA APARATUL.	
PENTRU UTILIZARE ÎN EXTERIOR ȘI ÎN ZONE BINE VENTILATE.	
APRINDERE ARZĂTOR PRINCIPAL: UNITATE DE APRINDERE PIEZO CU O SINGURĂ SCAPARARE. GAZ SPECIFIC CARE TREBUIE UTILIZAT: PROPAN (LA 30 mBar).	

ASAMBLARE

CONECTAREA REZERVORULUI DE GAZ LA APARAT

Acest aparat este potrivit numai pentru utilizarea cu gaz propan de joasă presiune (amestecuri GPL), conectat cu regulatorul de joasă presiune adecvat printr-un furtun flexibil. Furtunul trebuie să fie fixat la regulator și aparat cu cleme pentru furtun. Acest grătar este setat să acționeze cu un regulator de 30 mbar cu Amestecuri de GPL. Vă rugăm să consultați distribuitorul dvs. de GPL pentru informații cu privire la un regulator adecvat pentru butelie.

REGULATOR ȘI FURTUN

Aceste articole nu sunt furnizate împreună cu grătarul, ele pot fi cumpărate de la distribuitorul dvs. de echipamente sau de la un furnizor autorizat de gaz LP. Utilizați numai regulatoare și furtunuri aprobate pentru gaz LP la presiunile specificate mai sus. Speranța de viață a regulatorului este estimată la 10 ani. Se recomandă ca regulatorul să fie schimbat în termen de 10 ani de la data fabricației. Utilizarea unui regulator sau a unui furtun necorespunzător este nesigură; verificați întotdeauna dacă aveți articolele corecte înainte de a folosi grătarul. Furtunul uzat sau deteriorat trebuie înlocuit. Asigurați-vă că furtunul nu este obstrucționat, îndoit sau în contact cu nicio altă parte a grătarului, decât la conexiunea sa. Furtunul utilizat trebuie să respecte standardul relevant pentru țara de utilizare.

DEPOZITAREA APARATULUI

Depozitarea unui aparat în interior este autorizată numai dacă butelia este deconectată și scoasă din aparat. Când aparatul nu este utilizat o perioadă lungă de timp, acesta trebuie depozitat în ambalajul original într-un mediu uscat și fără praf.

BUTELIE

Rezervorul de gaz nu trebuie scăpat din mână sau manipulat agresiv! Dacă aparatul nu este utilizat, butelia trebuie deconectată. Remontați capacul de protecție al buteliei după ce ați deconectat butelia de la aparat. Buteliile trebuie depozitate în aer liber, în poziție verticală și nu la îndemâna copiilor. Butelia nu trebuie depozitată niciodată acolo unde temperaturile pot depăși 50°C. Nu depozitați butelia lângă flăcări, lămpi sau alte surse de aprindere. INTERZIS FUMATUL.

Acest grătar este conceput pentru a fi utilizat în aer liber, departe de orice materiale inflamabile. Este important să nu existe obstacole deasupra aparatului și să existe o zonă liberă de minim un 1 metru în jurul aparatului atât în părțile laterale cât și în spatele aparatului. Este important ca orificiile de ventilație ale aparatului să nu fie obstrucționate. Grătarul trebuie utilizat pe o suprafață plană și stabilă. Aparatul trebuie protejat de curenții de aer direcți și trebuie poziționat sau protejat împotriva contactului direct cu orice scurgere de apă.

Piese sigilate de producător sau agentul său nu trebuie modificate de utilizator. Nu trebuie efectuate nici un fel de modificări la componentele acestui aparat de către utilizator și reparațiile și întreținerea trebuie efectuate numai de către un inginer de service autorizat.

CONEXIUNE LA APARAT

Înainte de a conecta aparatul, asigurați-vă că nu există impurități prinse în capul buteliei de gaz, regulator, porturile arzătorului și arzător. Păianjenii și insectele se pot cuibări în interior și pot înfunda arzătorul / tuburile la capete. Un arzător înfundat

poate duce la un incendiu în partea inferioară a aparatului. Montați furtunul la aparat folosind o cheie pentru a-l strânge pe poziția de conectare. Dacă furtunul este înlocuit, acesta trebuie fixat de conexiunile aparatului și ale regulatorului cu cleme pentru furtun. Deconectați regulatorul de butelie (conform instrucțiunilor furnizate împreună cu regulatorul) atunci când grătarul nu este utilizat. Grătarul trebuie utilizat într-o zonă bine ventilată. Nu obstrucționați fluxul de aer de ardere către arzător atunci când grătarul este în uz. FOLOSIȚI ACEST GRĂTAR DOAR ÎN EXTERIOR.

VERIFICAȚI DACĂ EXISTĂ SCURGERI ÎNAINTE DE UTILIZARE

Nu verificați niciodată scurgerile cu flacăra deschisă: folosiți întotdeauna o soluție de apă cu săpun.

PENTRU A VERIFICA EVENTUALELE SCURGERI

Faceți 0,1L de lichid de soluție de detectare a scurgerilor amestecând o parte soluție de săpun cu 3 părți de apă. Asigurați-vă că supapa de control este în poziția „OFF”. Conectați regulatorul la butelie și supapa ON / OFF la arzător, asigurați-vă că sunt sigure conexiunile, apoi porniți gazul. Aplicați soluția de săpun pe furtun și pe toate articulațiile. Dacă apar bule, aveți o scurgere care trebuie întreruptă înainte de utilizare. Refaceți testul după întrerupere scurgerii. Opriți gazul din butelie după testare. Dacă scurgerea este detectată și nu poate fi întreruptă: nu încercați să remediați defecțiunea ci contactați distribuitorul de gaz!

INSTRUCȚIUNI DE FOLOSIRE

Asamblați grătarul cu atenție, urmând instrucțiunile. Conectați furtunul de gaz la grătar. Conectați regulatorul la furtun. Conectați regulatorul la supapa buteliei conform instrucțiunilor regulatorului furnizate împreună cu regulatorul. Porniți toate butoanele de control în poziția „OFF” înainte de a porni alimentarea cu gaz a aparatului. Utilizați regulatorul în conformitate cu instrucțiunile furnizate împreună cu regulatorul.

APRINDEREA GRĂTARULUI (ARZĂTORUL PRINCIPAL)

INSTRUCȚIUNI DE APRINDERE

MODEL G2082 / X88-000010

1. Deschideți capacul.
2. Rotiți toate butoanele în sensul acelor de ceasornic până la poziția „OPRIȚI” (“OFF”).
3. Conectați racordul de gaz la butelia de gaz. Rotiți alimentarea cu gaz a buteliei pe poziția “DESCHIS” (“ON”). Folosiți un amestec de apă cu săpun pentru a verifica dacă există scurgeri de gaz între racordul de gaz și butelie.
4. Apăsăți butonul din partea stângă și rotiți-l în sens invers acelor de ceasornic, înspre stânga, până la poziția “Deschis la maxim”, în același timp, apăsați de 4 sau 5 ori butonul de aprindere piezoelectrică.

Аcesta va aprinde arzătorul. Controlați dacă arzătorul este pornit. În caz contrar, repetați procedeuл.

5. Dacă arzătorul nu s-a aprins după ce аți încercat а doua оară, аșteптаți timp de 5 minute, după care repetați pasul 3.
6. Regлаți intensitatea flăcării rotind butonul Ridicat/Scăzut ("High/Low").
7. În cazul în care arzătorul nu se aprinde. Aprindeți aparatul folosind un chibrit, pe care îl introduceți prin partea laterală, prin orificiul de aprindere.
8. Pentru а aprinde arzătorul din partea dreaptă, rotiți butonul din partea dreaptă până la poziția "deschis la maxim", acesta va fi aprins prin arzătorul din stânga. Aprindeți întотdeauna aparatul începând cu arzătorul din partea stângă și apoi cu cel din partea dreaptă.
9. OPRIREA grătarului: Închideți robinetul de gaz și rotiți butoanele aparatului în sensul acelor de ceasornic, până la poziția "OPRIT" ("OFF").

MODEL G9003B / X88-000020

1. Deschideți capacul.
2. Rotiți toate butoanele în sensul acelor de ceasornic până la poziția "OPRIT" ("OFF").
3. Conectați racordul de gaz la butelia de gaz. Rotiți alimentarea cu gaz а buteliei pe poziția "DESCHIS" ("ON"). Folosiți un amestec de apă cu săpun pentru а verifica dacă există scurgeri de gaz între racordul de gaz și butelie.
4. Apăsаți al doilea buton de control, identificabil prin simbolul fulger (⚡) și, în același timp, rotiți-l pe „H”. Procedând astfel, aprinzatorul ar trebui să scapere și să aprindă arzătorul principal.
5. Puteți aprinde celelalte arzătoare atunci când semnalul (⚡) arzătorului principal arată că este aprins.
6. Dacă procesul de iluminare nu funcționează, rotiți butonul pe „OFF”, аșteптаți câteva momente și repetați pasul 4.
7. Regлаți flacăra la puterea dorită folosind butonul de control.
8. Pentru а opri grătarul, opriți direct gazul sau regulatorul și readuceți toate comenzile în poziția „OPRIT”.

AVERTISMENT: dacă arzătorul nu se aprinde, rotiți butonul până la punctul de închidere (în sensul acelor de ceasornic) și închideți totотдată și butelia de gaz. Аșteптаți cinci minute până veți reîncerca să îl porniți prin secvența de aprindere.

CURĂȚARE ȘI ÎNGRIJIRE

ATENȚIE: Toate operațiunile de curățare și întreținere trebuie efectuate atunci când grătarul este rece și alimentarea cu combustibil este oprită la butelia de gaz.

CURĂȚAREA

„Arderea” grătarului după fiecare utilizare (pentru аproximativ 15 minute) va înlătura reziduurile de mâncare în exces.

SUPRAFAȚA EXTERIOARĂ

Folosiți detergent ușor sau soluție de bicarbonat de sodiu și apă fierbinte. Pe petele rezistente poate fi folosită pudra de curățare non-abrazivă, apoi clătiți cu apă.

Dacă suprafața interioară а capacului pentru grătar are aspectul de vopsea scorojită, este pentru că grăsimea arsă se transformă în carbon și se desprinde. Curățați bine с о soluție puternică de apă caldă și săpun. Clătiți с apă și lăsați să se usuce complet. **NU UTILIZAȚI NICIODATĂ SOLUȚIE DE CURĂȚARE PENTRU CUPTOR.**

INTERIORUL BAZEI GRĂTARULUI

Îndepărtați reziduurile с ajutorul periei, răzuitorului și / sau tamponului de curățare, apoi spălați с о soluție de apă с săpun. Clătiți с apă și lăsați să se usuce.

GRILA DE GĂTIT

Folosiți о soluție ușoară de apă с săpun. Pe petele rezistente poate fi folosită pudra de curățare non-abrazivă, apoi clătiți с apă.

CURĂȚAREA ANSAMBLULUI ARZĂTORULUI

Opriți gazul de la butonul de comandă și deconectați butelia. Îndepărtați grătarul răcit. Curățați arzătorul с о perie moale sau curățați с aer comprimat și ștergeți с о cârpă. Curățați orificiile îmfundate с un dispozitiv de curățare а țevilor sau о sârmă rigidă (cum ar fi о agrafă deschisă). Verificați arzătorul pentru orice deteriorare (fisuri sau găuri). Dacă se constată дауне, înlouciți atzatorul с un arzător nou. Reinstalați arzătorul, verificați dacă deschiderile supapei de gaz sunt poziționate și fixate corect în interiorul orificiului de admisie al arzătorului (venturi).

ÎNȚREȚINERE

Grătarul pe gaz ar trebui să fie întreținut anual de un profesionist competent și înregistrat.

MEDIU

Atunci când acest produs аjunge la sfârșitul duratei sale de utilizare, predați-l la un punct de colectare pentru reutilizarea echipamentelor electrice și electronice. Vă rugăm să consultați simbolurile de pe produs, instrucțiunile de utilizare sau ambalajul. Luați legătura с municipalitatea de care aparțineți, pentru а afla adresa celui mai apropiat punct de colectare al aparatelor electrice și electronice.

BG

БАРБЕКЮ

ВАЖНО:

– Прочетете внимателно следните инструкции и се уверете, че вашето барбекю е правилно инсталирано, сглобено и обгрижвано. Неспазването на тези инструкции може да доведе

до сериозни телесни повреди и / или материални щети. ПАЗЕТЕ ЗА БЪДЕЩА РЕФЕРЕНЦИЯ.

- Ако имате въпроси относно сглобяването или експлоатацията на този продукт, консултирайте се с вашия барбекю дилър или доставчик на втечен пропан-бутан.
- Уверете се, че уредът и резервоарът за газ стоят на равна повърхност, когато се използват на земята.
- Никога не запалвайте уреда, ако капакът е в затворено положение.
- Никога не запалвайте и не използвайте, ако капакът на страничната горелка е в затворено положение.
- Вашето барбекю може да се използва върху газова бутилка от 6 до 11 кг.
- При запалване на барбекюто трябва да се спазват стриктно следните разстояния:
 - Странична и задна част на уреда: 1 метър от всякакви препятствия.
 - Над уреда: НЕ СЕ ПОЗВОЛЯВАТ НИКАКВИ ПРЕПЯТСТВИЯ.
 - ИЗПОЛЗВАЙТЕ САМО НА ОТКРИТО.
- **ПРЕДУПРЕЖДЕНИЕ:** ДОСТЪПНИТЕ ЧАСТИ МОГАТ ДА БЪДАТ МНОГО ГОРЕЩИ. МОЛЯ, ДРЪЖТЕ МАЛКИ ДЕЦА ДАЛЕЧ ОТ УРЕДА.
- НЕ МЕСТЕТЕ УРЕДА ПО ВРЕМЕ НА ГОТВЕНЕ.

АКО ВИ МИРИШЕ НА ГАЗ

- Затворете входа за газ към грила
- Загасете всеки открит пламък
- Отворете капака
- Ако миризмата продължи, стойте далеч от уреда и незабавно се обадете на вашия доставчик на газ или на пожарна безобасност.
- Не съхранявайте бутилки за пропан-бутан в рамките на 4м от този уред.
- Не съхранявайте и не използвайте бензин или други течности със запалими пари в рамките на 8м от този / друг подобен уред.
- Газовите бутилки (несвързани за употреба) никога не трябва да се съхраняват в близост до този / друг подобен уред.

ПРЕДУПРЕЖДЕНИЯ

1. Този грил е предназначена само за външна употреба и не трябва да се използва в сграда, гараж или друга затворена зона.
2. Този грил НЕ е за търговска употреба.
3. Този грил трябва да се използва само със смес пропан-бутан. Използването

- на природен газ или преобразуването на продукта за употреба с природен газ, е опасно.
4. Характеристики на пропан-бутан:
 - a. Пропан-бутанът е запалим и опасен при неправилно боравене. Прочетете внимателно спецификациите, преди да използвате какъвто и да е пропан-бутан продукт.
 - b. Пропан-бутанът е експлозивен под налягане, по-тежък от въздуха и се утаява в басейни в ниски райони.
 - c. Пропан-бутанът в естествените си състояния няма мирис. За безопасност се добавя миризливи агент (одорант), който мирише на изгнило зеле.
 - d. Контактът с втечен пропан-бутан може да причини замръзване на кожата.
 5. Газовата бутилка трябва да бъде снабдена с клапа.
 6. Газовата бутилка трябва да бъде снабдена с яка, за да предпази клапата.
 7. Никога не използвайте газова бутилка с пропан-бутан, която е с повредено тяло, клапан, яка или основа.
 8. Ударени или ръждясали газови бутилки могат да бъдат опасни и трябва да бъдат проверени от вашия доставчик на втечен пропан-бутан преди употреба.
 9. Газовата бутилка с пропан-бутан не трябва да се изпуска или не трябва да се третира грубо.
 10. Газовата бутилка с пропан-бутан трябва да се съхранява на открито, недостъпно за деца място и не трябва да се съхранява в сграда, гараж или друга затворена зона. Газовата бутилка с пропан-бутан никога не трябва да се съхранява там, където температурите могат да достигнат повече от 50°C.
 11. Никога не дръжте газова бутилка с пропан-бутан в гореща кола или багажник. Нагриването ще доведе до увеличаване на налягането на газа, което може да отвори предпазния клапан и да позволи на газа да излезе.
 12. Никога не се опитвайте да прикачите този грил към автономната пропан-бутан газова уредба на каравана, кемпер или къща.
 13. Използването на алкохол, лекарства (с или без рецепта) може да наруши способността на потребителя да сглоби правилно уреда или безопасно да работи с този уред.
 14. Никога не използвайте въглен, течност за запалки, лава камъни, бензин, парафин или алкохол с този продукт.
 15. Проверете за течове, дори ако вашето устройство е монтирано от някой друг.
 16. Не работете с продукта, ако изтича газ. Изтичането на газ може да причини пожар или експлозии.
 17. Трябва да следвате всички процедури за проверка на течове, преди да започнете работа. За да предотвратите пожар или експлозия при тестване за теч:
 - a. Винаги провеждайте тест за теч, преди да запалите грила и всеки път, когато газовата бутилка е свързана за употреба.
 - b. Пушенето е забранено. Пазете от източници на запалване, когато провеждате тест за течове.
 - c. Проведете теста за течове на открито в добре проветриво помещение.
 - d. Не използвайте кибрит, запалки или пламък, за да проверите за течове.
 - e. Не използвайте грила, докато не се коригират всички течове. Ако не можете да отстраните течта, изключете подаването на пропан-бутан.
 18. Не съхранявайте и не използвайте бензин, други запалими течности или пари в рамките на 8м от този уред.
 19. Да не се използва във взривоопасна атмосфера. Пазете зоната на грила чиста и без запалими материали.
 20. Винаги дръжте всички запалими предмети и повърхности на разстояние поне 1м от грила. Не използвайте този грил или какъвто и да е газов продукт под горни части или в близост до незащитени запалими конструкции.
 21. От съществено значение е да се поддържат чисти отделението за вентили на грила, горелките и отворите за циркулиращ въздух. Оглеждайте грила преди всяка употреба.
 22. Не променяйте уреда по никакъв начин.
 23. Не използвайте грила, ако не е напълно сглобен и всички части не са здраво закрепени и затегнати.
 24. Този грил трябва да бъде редовно почистван и инспектиран. Винаги почиствайте и проверявайте маркуча, преди да използвате уреда. Ако има данни за абразия, износване, порязвания или течове, маркучът трябва да бъде сменен преди пускането на уреда в експлоатация.
 25. Използвайте само оторизирани от производителя части. Използването на всяка част, която не е фабрично разрешена, може да бъде опасно.
 26. Не използвайте този уред, без да сте прочели раздела „Инструкции за употреба“ на това ръководство.
 27. За да избегнете изгаряния, не докосвайте металните части на грила, докато той не се охлади напълно (около 45 минути).
 28. Когато готвите, пожарогасителните съоръжения трябва да бъдат лесно достъпни. В случай на пожар, причинен от мазнини, не се опитвайте да загасите с вода. Използвайте сух химически пожарогасител тип ABC или задушете пламъците с пръст, пясък или сода за хляб.
 29. Не инсталирайте и не използвайте в лодки или превозни средства за отпих.
 30. Не използвайте грила при силен вятър.
 31. Никога не се навеждайте над грила, когато го запалвате.
 32. Не оставяйте запален грил без надзор, **ПРЕДУПРЕЖДЕНИЕ!** винаги дръжте децата и домашните любимци далеч от грила.
 33. Не се опитвайте да местите грила, когато го използвате. Оставете грила да се охлади, преди да го отстраните или съхраните.
 34. Грилът може да се съхранява на закрито САМО, ако газовата бутилка е изключена, извадена от грила и правилно съхранена на открито.
 35. Винаги отваряйте внимателно и бавно капака на грила, тъй като топлината и парата, попаднали под капака, могат силно да ви изгорят.
 36. Не се опитвайте да разкачите газовия регулатор от газовата бутилка или какъвто и да е газов фитинг, докато грилът се използва.
 37. Винаги поставяйте грила на твърда и равна повърхност. Повърхностите трябва да са устойчиви на повишаване на температурата с 50°C.
 38. Бъдете изключително внимателни с дървени платформи.
 39. Преместете маркучите за газ възможно най-далеч от горещи повърхности и капеща гореща мазнина.
 40. Дръжте всички електрически кабели далеч от гореща скара.

41. Не използвайте грила за готвене или отопление на закрито. Токсичните изпарения могат да се натрупват и да причинят задушаване.
42. След период на съхранение и / или неизползване, проверете за течове, повреди на горелката и проверете за абразии, износване и порязвания на маркуча.
43. Ако не отворите капака при запалване на горелките на грила или не изчакате 5 минути, докато газът се изчисти, ако грилът не се запали, може да доведе до взривоопасно пламване.
44. Ако грилът не се използва, газта трябва да се изключи от подаващия резервоар и регулатора.
45. Никога не използвайте грила, без да са монтирани нагревателните плочи.
46. Не съхранявайте резервна газова бутилка под или в близост до този уред.
47. Тръбите трябва да бъдат заменени, когато това се изисква от естествените условия. Използвайте посочения тип и дължина.
48. Поставете газовата бутилка до грила, така че маркучът да не се извива и да не се усуква.
49. Уверете се, че стоите далеч от всеки източник на запалване, когато смените газовата бутилка
50. Всяка модификация на уреда може да бъде опасна.
51. Смърт, сериозни наранявания или имуществени щети могат да настъпят, ако не спазвате стриктно горните инструкции и предупреждения.

СПЕЦИФИКАЦИИ НА ПРОДУКТА

КОД НА УРЕДА: X88-000010 / МОДЕЛ: G2082	
ОБЩ ВХОД НА ТОПЛИНА (ВСИЧКИ КАТЕГОРИИ ГАЗОВЕ)	5,5 kW (400 g/h)
КАТЕГОРИЯ НА ГАЗА	I3B/P (30)
ВИДОВЕ ГАЗ	ПРОПАН-БУТАН СМЕСИ
НАЛЯГАНЕ НА ГАЗА	30 mBar
РАЗМЕР НА ИНЖЕКТОРА	ОСНОВЕН: 0,84 мм
ИДЕНТИФИКАЦИОНЕН КОД	2575DM28150
ПРЕДУПРЕЖДЕНИЕ: ДОСТЪПНИТЕ ЧАСТИ МОЖАТ ДА БЪДАТ МНОГО ГОРЕЩИ. МОЛЯ, ДРЪЖТЕ МАЛКИ ДЕЦА ДАЛЕЧ ОТ УРЕДА. ПРОЧЕТЕТЕ ИНСТРУКЦИИТЕ ПРЕДИ ИЗПОЛЗВАНЕ НА УРЕДА.	
ЗА УПОТРЕБА НА ОТКРИТО И В ДОБРЕ ВЕНТИЛИРАНИ ЗОНИ.	
ЗАПАЛВАНЕ ОСНОВНА ГОРЕЛКА: ЕДНОКРАТНО ПИЕЗО ЗАПАЛИТЕЛНО УСТРОЙСТВО. СПЕЦИФИЧЕН ГАЗ, КОЙТО ЩЕ СЕ ИЗПОЛЗВА: ПРОПАН (ПРИ 30 mBar).	

КОД НА УРЕДА: X88-000020 / МОДЕЛ: G9003V	
ОБЩ ВХОД НА ТОПЛИНА (ВСИЧКИ КАТЕГОРИИ ГАЗОВЕ)	8,4 kW (611 g/h)
КАТЕГОРИЯ НА ГАЗА	I3B/P (30)
ВИДОВЕ ГАЗ	ПРОПАН-БУТАН СМЕСИ
НАЛЯГАНЕ НА ГАЗА	30 mBar
РАЗМЕР НА ИНЖЕКТОРА	ОСНОВЕН: 0,82 мм
ИДЕНТИФИКАЦИОНЕН КОД	2575DM28150
ПРЕДУПРЕЖДЕНИЕ: ДОСТЪПНИТЕ ЧАСТИ МОЖАТ ДА БЪДАТ МНОГО ГОРЕЩИ. МОЛЯ, ДРЪЖТЕ МАЛКИ ДЕЦА ДАЛЕЧ ОТ УРЕДА. ПРОЧЕТЕТЕ ИНСТРУКЦИИТЕ ПРЕДИ ИЗПОЛЗВАНЕ НА УРЕДА.	
ЗА УПОТРЕБА НА ОТКРИТО И В ДОБРЕ ВЕНТИЛИРАНИ ЗОНИ.	
ЗАПАЛВАНЕ ОСНОВНА ГОРЕЛКА: ЕДНОКРАТНО ПИЕЗО ЗАПАЛИТЕЛНО УСТРОЙСТВО. СПЕЦИФИЧЕН ГАЗ, КОЙТО ЩЕ СЕ ИЗПОЛЗВА: ПРОПАН (ПРИ 30 mBar).	

МОНТАЖ

СВЪРЗВАНЕ НА ГАЗОВИЯ РЕЗЕРВОАР КЪМ УРЕДА
Този уред е подходящ само за използване с монтиран пропан газ с ниско налягане (пропан-бутан смеси) с подходящия регулатор за ниско налягане чрез гъвкав маркуч. Маркучът трябва да бъде закрепен към регулатора и уредът със скоби за маркучи. Това барбекю е настроено да работи с 30-mbar регулатор с пропан-бутан смеси. Моля, консултирайте се с вашия дилър за пропан-бутан за информация относно подходящ регулатор за газова бутилка.

РЕГУЛАТОР И МАРКУЧ

Тези артикули не се доставят с барбекюто, те могат да бъдат закупени от вашия търговец на оборудване или оторизиран доставчик на течен пропан-бутан. Използвайте само регулаторите и маркучите, одобрени за пропан-бутан и по-горе споменатото налягане. Продължителността на живота на регулатора се оценява на 10 години. Препоръчително е регулаторът да се сменя в рамките на 10 години от датата на производство. Използването на грешен регулатор или маркуч е опасно; винаги проверявайте дали разполагате с правилните части, преди да работите с барбекюто. Износеният или повреден маркуч трябва да се смени. Уверете се, че маркучът не е запушен, прегънат или не е в контакт с която и да е част от барбекюто, различна от неговата връзка. Използваният маркуч трябва да отговаря на съответния стандарт за страната, в която уредът се използва.

СЪХРАНЕНИЕ НА УРЕДА

Съхранението на уред на закрито е разрешено само, ако газовата бутилка е изключена и извадена от уреда. Когато уредът не се използва продължително време, той трябва да се съхранява в оригиналната опаковка и да се съхранява в суха и без прах среда.

РЕЗЕРВОАР ЗА ГАЗ

Газовата бутилка не трябва да се изпуска или да се третира грубо! Ако уредът не се използва, бутилката трябва да бъде изключена. Сменете защитната капачка на бутилката, след като бутилката е откачена от уреда. Газовите бутилки трябва да се съхраняват на открито, в исправено положение и недостъпни за деца. Бутилката никога не трябва да се съхранява там, където температурите могат да достигнат над 50°C. Не съхранявайте бутилката близо до пламъци, възпламенители или други източници на запалване. **ДА НЕ СЕ ПУШИ.**

Това барбекю е предназначено за използване на открито, далеч от запалими материали. Важно е да няма препятствия над барбекюто и да има минимално разстояние от 1 метър от страни или отзад на уреда. Важно е вентилационните отвори

на уреда да не са запушени. Барбекюто трябва да се използва на равна, стабилна повърхност. Уредът трябва да бъде защитен от директни течения и да бъде разположен или защитен срещу пряк контакт с течаща вода.

Частите, запечатани от производителя или неговия агент, не трябва да се променят от потребителя. Модификации, на която и да е част от това барбекю, не трябва да бъдат правени, а ремонтите и поддръжката трябва да се извършват само от оторизиран сервизен инженер.

СВЪРЗВАНЕ С УРЕДА

Преди да свържете уреда, уверете се, че в главата на газовата бутилка, регулатора, горелката и отворите за горелка няма остатъци. Паяците и насекомите могат да гнездят вътре и да запушат горелката / тръбата на Вентури при отбора. Запушената горелка може да доведе до пожар в долната част на уреда. Поставете маркуча към уреда с помощта на гаечен ключ, за да го затегнете към свързващата резба. Ако маркучът е сменен, той трябва да бъде закрепен към уреда и връзките на регулатора със скоби за маркучи. Изключете регулатора от бутилката (в съответствие с инструкциите, предоставени с регулатора), когато барбекюто не се използва. Барбекюто трябва да се използва в добре проветриво помещение. Не препречвайте потока на въздух към горелката, когато барбекюто се използва. **ИЗПОЛЗВАЙТЕ ТОВА БАРБЕКЮ САМО НА ОТКРИТО.**

ПРОВЕРЕТЕ ЗА ТЕЧОВЕ ПРЕДИ УПОТРЕБА

Никога не проверявайте за течове с открит пламък: винаги използвайте сапунен воден разтвор.

ПРОВЕРКА ЗА ТЕЧОВЕ

Направете 60 – 80мл. разтвор за откриване на течове, като смесите препарат за миене на съдове с вода, в съотношение 1:3. Уверете се, че копчето за управление е в положение „OFF“. Свържете регулатора към бутилката и клапана за включване/изключване към горелката, уверете се, че връзките са добре подсигурени, след това включете газта. Нанесете сапунения разтвор върху маркуча и всички фуги. Ако се появят мехурчета, има теч, който трябва да се отстрани преди употреба. Повторно тестване след отстраняване на неизправността. Изключете газта в бутилката след тестване. Ако течът бъде открит и не може да бъде отстранен: не се опитвайте да поправяте теча и се свържете с вашия доставчик на газ!

УКАЗАНИЯ ЗА УПОТРЕБА

Монтирайте внимателно барбекюто, следвайки инструкциите. Свържете маркуча за газ към

барбекюто. Свържете регулатора към маркуча. Свържете регулатора към клапана на бутилката в съответствие с инструкциите на регулатора, предоставени с регулатора. Завъртете всички копчета за управление в положение „OFF“, преди да включите подаването на газ към уреда. Работете с регулатора в съответствие с инструкциите, предоставени с регулатора.

ЗАПАЛВАНЕ НА ВАШИЯ ГРИЛ (ОСНОВНА ГОРЕЛКА)

ИНСТРУКЦИИ ЗА ЗАПАЛВАНЕ
МОДЕЛ G2082 / X88-000010

1. Отворете капака.
2. Завъртете всички бутони по посока на часовниковата стрелка до позиция "OFF".
3. Свържете редуцир вентила с газовата бутилка и уреда. Завъртете кранчето на газа на бутилката в положение "ON". Проверете със сапунена вода за течове на газ между бутилката и редуцир вентила.
4. Натиснете левия бутон за управление и го завъртете обратно на часовниковата стрелка в положение "Пълна мощност", докато натискате бутон за пиезо запалване 4 или 5 пъти. Това ще запали горелката. Проверете дали горелката се е запалила. Ако не повторете този процес.
5. Ако горелката не се е запалила след опита, изчакайте 5 минути и повторете стъпка 3.
6. Настройте топлината чрез завъртане на бутон в позиция Силен/Слаб пламък.
7. Ако горелката не запали. Запалете уреда с кибрит като използвате отвора от страни на уреда.
8. За да запалите дясната горелка, завъртете десния бутон за управление в положение на пълна мощност, ще запали лявата горелка. Винаги палете уреда от лявата горелка към дясната страна.
9. За ИЗКЛЮЧВАНЕ на грила: Затворете клапана на бутилката и завъртете контролните бутони на уреда по посока на часовниковата стрелка в положение "OFF".

МОДЕЛ G9003B / X88-000020

1. Отворете капака.
2. Завъртете всички бутони по посока на часовниковата стрелка до позиция "OFF".
3. Свържете редуцир вентила с газовата бутилка и уреда. Завъртете кранчето на газа на бутилката в положение "ON". Проверете със сапунена вода за течове на газ между бутилката и редуцир вентила.
4. Натиснете втория контролен бутон, разпознаваем от символа за мълния (⚡) и в същото време го завъртете на "HI". По този начин ще стартирате запалването и ще запалите основната горелка.

5. Можете да запалите другите горелки, след като сигналната лампичка (⚡) на основната горелка светне, което показва, че е включена.
6. Ако процесът на запалване не работи, завъртете копчето на позиция "OFF", изчакайте малко и повторете стъпка 4.
7. Настройте пламъка до желаната сила с помощта на контролния бутон.
8. За да изключите грила, незабавно изключете газта или редуцир вентила и върнете всички контроли обратно на „OFF“.

ПРЕДУПРЕЖДЕНИЕ: Ако горелката не се запали, изключете контролния бутон (по посока на часовниковата стрелка) и също изключете клапана на бутилката за газ. Изчакайте пет минути, преди да опитате да запалите при спазване на последователността на запалване.

ПОЧИСТВАНЕ И ГРИЖИ

ВНИМАНИЕ: Цялото почистване и поддръжка трябва да се извършват, когато барбекюто е охладено и при изключено подаване на газ в газовата бутилка.

ПОЧИСТВАНЕ

„Изгарянето“ на барбекюто след всяка употреба (за около 15 минути) ще сведе до минимум излишните остатъци от храна.

ВЪНШНА ПОВЪРХНОСТ

Използвайте мек препарат или сода за хляб и разтвор за гореща вода. Неабразивен почистващ прах може да се използва върху упорити петна, след което се изплаква с вода. Ако вътрешната повърхност на капака на барбекюто има вид на олющена боя, изпечената натрупала се мазнина се е превърнала във въглерод и се лющи. Почиствайте старателно със силен разтвор с гореща сапунена вода. Изплакнете с вода и оставете да изсъхне напълно. НИКОГА НЕ ИЗПОЛЗВАЙТЕ ПРЕПАРАТ ЗА ПОЧИСТВАНЕ НА ФУРНА.

ВЪТРЕШНОСТ НА БАРБЕКЮТО

Отстранете остатъците с помощта на четка, скрепер и / или почистваща подложка, след което измийте със сапунен воден разтвор. Изплакнете с вода и оставете да изсъхне.

РЕШЕТКА ЗА ГОТВЕНЕ

Използвайте мек сапунен воден разтвор. Неабразивно почистващо средство може да се използва върху упорити петна, след което се изплаква с вода.

ПОЧИСТВАНЕ НА МЕХАНИЗМА НА ГОРЕЛКАТА

Изключете газта на копчето за управление и откачете бутилката. Отстранете охладената решетка. Почистете горелката с мека четка или

почистете със сгъстен въздух и избършете с кърпа. Почистете всички запушени портове с препарат за почистване на тръби или твърда жица (като отворен кламер). Проверете горелката за повреди (пукнатини или дупки). Ако се установи повреда, заменете с нова горелка. Поставете отново горелката, проверете дали отворите на газовия клапан са правилно позиционирани и закрепени, вътре, в отвора на горелката (Вентури).

ОБСЛУЖВАНЕ

Вашето газово барбекю трябва да се обслужва ежегодно от компетентен и регистриран специалист.

ОКОЛНА СРЕДА. Когато уредът приключи своя експлоатационен живот го предайте в пункт за рециклиране на електрическа и електронна апаратура. Обърнете внимание на указанията и символите върху продукта, в инструкциите за употреба и върху опаковката. Свържете се с вашето кметство, за да поискате адреса на най-близкия подходящ събирателен пункт във вашия квартал.

SK GRIL

DÔLEŽITÉ:

- Pozorne si prečítajte nasledujúce pokyny a uistite sa, že je váš gril správne nainštalovaný, zmontovaný a správne udržiavaný. Nedodržanie týchto pokynov môže mať za následok vážne zranenie alebo poškodenie majetku. UCHOVÁVAJTE BUDÚCE INFORMÁCIE.
- Ak máte akékoľvek otázky týkajúce sa montáže alebo prevádzky tohto produktu, obráťte sa na svojho predajcu alebo dodávateľa plynu.
- Pri použití na zemi sa uistite, že prístroj a nádrž na PLYN stoja na rovnom povrchu.
- Nikdy nezapaľujte prístroj, keď je KRYT v zatvorenej polohe.
- Nikdy nezapaľujte a nepoužívajte bočný horák s vekom v zatvorenej polohe.
- Váš gril je možné použiť s plynovou nádržou od 6 do 11 kg.
- Prizapaľovanie grilu musí byť bezpodmienečne dodržané nasledujúce vzdialenosti:
- Boky a zadná strana prístroja: 1 meter od akejkoľvek prekážky.
- Nad prístrojom: NI E SÚ POVOLENÉ ŽIADNE PREKÁŽKY.
- POUŽÍVAJTE IBA VONKU.
- **UPOZORNENIE:** DOSTUPNÉ DIELY MÔŽU BYŤ VEĽMI TEPLÉ. UDRŽUJTE MIMO DOSAHU DETI.
- NEPPRESÚVAJTE SPOTREBIČ POČAS VARENIA.

AK CÍTITE PLYN

- Uzavrite prívod plynu do grilu
- Uhasťte akýkoľvek otvorený oheň
- Otvorte veko
- Ak zápach naďalej pretrváva, držte sa ďalej od spotrebiča a okamžite kontaktujte svojho dodávateľa plynu alebo hasičov.
- Neuchovávajte propánový LPG do 4 m od tohto prístroja.
- Neskladujte ani nepoužívajte benzín alebo iné kvapaliny s horľavými parami do 8 metrov od tohto alebo iného podobného prístroja.
- Nádrže na plyn - (nie sú pripojené na použitie) by sa nikdy nemali skladovať v blízkosti tohto alebo iného podobného zariadenia.

UPOZORNENIA

1. Tento gril je určený iba na vonkajšie použitie a nemal by sa používať v budovách, garážach alebo na iných uzavretých miestach.
2. Tento gril NIE JE na komerčné použitie.
3. Tento gril sa smie používať iba s PROPÁNOVÝMI ZMESAMI LP. Používanie zemného plynu alebo úprava produktu, aby to bolo možné, je nebezpečné.
4. Vlastnosti LP plynu:
 - a. LPG je horľavý a pri nesprávnom zaobchádzaní nebezpečný. Pred použitím ľubovoľného LPG produktu si pozorne prečítajte technické údaje.
 - b. LPG je pod tlakom výbušný, ťažší ako vzduch a usadzuje sa v jamkách na nízkych miestach.
 - c. LPG v prirodzenom stave nemá žiadny zápach. Pre bezpečnosť sa pridáva odorant, ktorý vonia ako zhnitá kapusta.
 - d. Kontakt s LPG môže spôsobiť popáleniny na pokožke.
5. Nádrž na plyn musí byť vybavená ventilom nádrže.
6. Nádrž na plyn musí byť vybavená golierom nádrže na ochranu ventilu nádrže.
7. Nikdy nepoužívajte LPG na propán s poškodeným telom, ventilom, golierom alebo podstavcom.
8. Prehĺbené alebo zhrdzavené nádrže na plyn môžu byť nebezpečné a pred použitím by ich mal skontrolovať váš dodávateľ LP plynu.
9. Plynová nádrž by nemala spadnúť alebo s ňou hrubo manipulovať.
10. Nádrž na LPG musí byť uskladnená vonku, mimo dosahu detí a nesmie byť skladovaná v budove, garáži alebo na inom uzavretom mieste. Nádrž na LPG sa nikdy nesmie skladovať tam, kde teploty môžu dosiahnuť viac ako 50°C.

11. Nikdy neuchovávajte naplnenú plynovú nádrž na LP v rozpálenom automobile alebo batožinovom priestore. Teplo spôsobí zvýšenie tlaku plynu, čo môže otvoriť poistný ventil a umožniť únik plynu.
12. Nikdy sa nepokúšajte pripevniť tento gril k samostatnému plynovému systému LP obytného prívesu, obytného automobilu alebo domu.
13. Užívanie alkoholu, liekov na predpis alebo liekov bez lekárskeho predpisu môže zhoršiť schopnosť spotrebiteľa správne zostaviť alebo bezpečne obsluhovať tento prístroj.
14. S týmto výrobkom nikdy nepoužívajte uhlie, tekutinu zo zapaľovača, lávové kamene, benzín, parafín alebo alkohol.
15. Skontrolujte tesnosť, aj keď jednotku zostavil niekto iný.
16. Nepoužívajte výrobok, ak z neho uniká plyn. Únik plynu môže spôsobiť požiar alebo výbuch.
17. Pred prevádzkou musíte dodržať všetky postupy kontroly úniku. Aby ste zabránili nebezpečenstvu požiaru alebo výbuchu pri testovaní na únik:
 - a. Pred zapálením grilu a pri každom použití nádrže vždy vykonajte skúšku tesnosti.
 - b. Nefajčite. Pri vykonávaní skúšky tesnosti sa držte mimo dosahu zdrojov zapálenia.
 - c. Skúšku tesnosti vykonajte vonku na dobre vetranom mieste.
 - d. Na kontrolu únikov nepoužívajte zápalky, zapaľovače alebo plameň.
 - e. Gril nepoužívajte, kým nebudú odstránené všetky netesnosti. Ak nie ste schopní únik napraviť, odpojte prívod LP plynu.
18. Neskladujte ani nepoužívajte benzín, iné horľavé kvapaliny alebo výpary do 8 m od tohto prístroja.
19. Nepoužívajte vo výbušnom prostredí. Udržujte priestor grilu čistý a bez horľavých materiálov.
20. Všetky horľavé predmety a povrchy vždy udržiavajte vo vzdialenosti najmenej 1 m od grilu. Nepoužívajte tento gril ani žiadny plynový produkt pod hlavou alebo v blízkosti nechránených horľavých štruktúr.
21. Je bezpodmienečne nutné udržiavať priestor ventilového grilu, horáky a prieduchy cirkulujúceho vzduchu čisté. Pred každým použitím gril skontrolujte.
22. Gril nijako neupravujte.
23. Gril nepoužívajte, pokiaľ nie je úplne zmontovaný a všetky jeho časti nie sú bezpečne upevnené a utiahnuté.
24. Tento gril by sa mal pravidelne dôkladne čistiť a kontrolovať. Pred použitím prístroja vždy vyčistite a skontrolujte hadicu. Ak existujú dôkazy o abrázii, opotrebovaní, porezaní alebo netesnosti, musí sa hadica pred uvedením prístroja do prevádzky vymeniť.
25. Používajte iba diely schválené výrobcom. Použitie akejkoľvek časti, ktorá nie je schválená výrobcom, môže byť nebezpečné.
26. Nepoužívajte tento spotrebič bez toho, aby ste si prečítali časť „Pokyny na používanie“ tejto príručky.
27. Aby ste sa vyhli popáleninám, nedotýkajte sa žiadnych kovových častí grilu, kým úplne nevychladne (asi 45 minút).
28. Pri varení by malo byť ľahko prístupné hasiace zariadenie. V prípade požiaru mastnoty sa ju nepokúšajte uhasiť vodou. Použite suchý chemický hasiaci prístroj typu ABC alebo plamene uduste špinou, pieskom alebo sódou bikarbónou.
29. Neinštalujte a nepoužívajte na čloch alebo na rekreačných vozidlách.
30. Nepoužívajte gril pri silnom vetre.
31. Nikdy sa nenakláňajte nad gril keď je zapálený.
32. Nenechávajte zapálený gril bez dozoru, **VAROVANIE!** deti a domáce zvieratá vždy držte ďalej od grilu.
33. Nepokúšajte sa s grilom hýbať, keď ho používate. Pred presúvaním alebo uskladnením nechajte gril vychladnúť.
34. Gril je možné skladovať v interiéri IBA, ak je nádrž odpojená, zložená z grilu a správne skladovaná vonku.
35. Veko grilu otvárajte vždy opatrne a pomaly, pretože teplo a para zachytené pod vami vás môžu vážne popáliť.
36. Nepokúšajte sa odpojiť regulátor plynu od nádrže alebo od akejkoľvek plynovej armatúry, keď je gril v prevádzke.
37. Gril vždy položte na tvrdý a rovný povrch. Povrchy by mali byť vhodné na to, aby odolali zvýšeniu teploty o 50°C.
38. Na drevených podlahách buďte veľmi opatrní.
39. Plynové hadice premiestnite čo najďalej od horúcich povrchov a odkvapávajúceho horúceho tuku.
40. Chráňte všetky elektrické káble pred horúcim grilom.
41. Nepoužívajte gril na vnútorné varenie alebo kúrenie. Môžu sa hromadiť toxické výpary a spôsobiť zadusenie.
42. Po uplynutí doby skladovania a / alebo nepoužívania skontrolujte tesnosť,

prekážky horáka a skontrolujte, či nie sú na hadici žiadne odery, opotrebenia a rezy.

43. Ak neotvoríte veko pri zapalovaní horákov grilu alebo nebudete čakať 5 minút, aby sa plyn mohol vyvetrať, ak sa gril nerozhorí, môže to viesť k výbuchu plameňa.
44. Ak gril nepoužívate, musíte vypnúť plyn na prívodnej nádrži a regulátore.
45. Nikdy gril nepoužívajte bez nainštalovaných výhrevných dosiek.
46. Pod týmto prístrojom alebo v jeho blízkosti neskladujte náhradnú plynovú nádrž.
47. Hadice musia byť vymenené, ak to vyžadujú prírodné podmienky. Použite uvedený typ a dĺžku.
48. Nádrž umiestnite vedľa grilu tak, aby sa hadica netočila a nekrútila.
49. Pri výmene palivovej nádrže s propánovým plynom sa uistite, že nestojíte v blízkosti žiadneho zdroja zapálenia.
50. Akákoľvek úprava spotrebiča môže byť nebezpečná.
51. Ak nebudete dôsledne dodržiavať vyššie uvedené pokyny a varovania, môže dôjsť k smrti, vážnemu zraneniu alebo poškodeniu majetku.

ŠPECIFIKÁCIA VÝROBKU

KÓD SPOTREBIČA: X88-000010 / MODEL: G2082	
CELKOVÝ TEPELNÝ VSTUP (VŠETKY KATEGÓRIE PLYNOV)	5,5 kW (400 g/h)
KATEGÓRIA PLYNOV	13B/P (30)
TYPY PLYNU	PROPÁNOVÉ ZMESI PLYNU LP
TLAK PLYNU	30 mBar
VEĽKOSŤ VSTREKOVÁČA	HLAVNÁ: 0,84 mm
IDENTIFIKAČNÝ KÓD	2575DM28150
UPOZORNENIE: DOSTUPNÉ DIELY MÔŽU BYŤ VEĽMI TEPLÉ. UDRŽUJTE DETI MIMO DOSAHU. PRED POUŽITÍM SPOTREBIČA SI PREČÍTAJTE POKYNY.	
NA VONKAJŠIE POUŽITIE A V DOBRE VENTILOVANÝCH OBLASTIACH.	
ZAPALOVANIE HLAVNÝ HORÁK: PIEZOELEKTRICKÁ ZAPALOVACIA JEDNOTKA. ŠPECIFICKÝ PLYN, KTORÝ SA MÁ POUŽIŤ: PROPÁN (PRI 30 mBar).	

KÓD SPOTREBIČA: X88-000020 / MODEL: G9003B	
CELKOVÝ TEPELNÝ VSTUP (VŠETKY KATEGÓRIE PLYNOV)	8,4 kW (611 g/h)
KATEGÓRIA PLYNOV	13B/P (30)
TYPY PLYNU	PROPÁNOVÉ ZMESI PLYNU LP
TLAK PLYNU	30 mBar
VEĽKOSŤ VSTREKOVÁČA	HLAVNÁ: 0,82 mm
IDENTIFIKAČNÝ KÓD	2575DM28150
UPOZORNENIE: DOSTUPNÉ DIELY MÔŽU BYŤ VEĽMI TEPLÉ. UDRŽUJTE DETI MIMO DOSAHU. PRED POUŽITÍM SPOTREBIČA SI PREČÍTAJTE POKYNY.	
NA VONKAJŠIE POUŽITIE A V DOBRE VENTILOVANÝCH OBLASTIACH.	
ZAPALOVANIE HLAVNÝ HORÁK: PIEZOELEKTRICKÁ ZAPALOVACIA JEDNOTKA. ŠPECIFICKÝ PLYN, KTORÝ SA MÁ POUŽIŤ: PROPÁN (PRI 30 mBar).	

MONTÁŽ

PRIPOJENIE PLYNOVEJ NÁDRŽE K SPOTREBIČU

Tento prístroj je vhodný na použitie iba s namontovaným nízkotlakovým propánovým plynom (zmesi LPG) s príslušným nízkotlakovým regulátorom pomocou ohybnej hadice. Hadica

by mala byť pripevnená k regulátoru a prístroju hadicovými sponami. Tento gril je nastavený tak, aby fungoval s 30 mbar regulátorom zmesi LPG. Informácie o vhodnom regulátore pre palivovú nádrž prekonzultujte s predajcom.

REGULÁTOR A HADICA

Tieto predmety sa nedodávajú s grilom, je možné ich kúpiť od predajcu zariadenia alebo od autorizovaného dodávateľa plynu LP. Používajte iba regulátory a hadicu schválenú pre vyššie uvedené tlaky plynu. Očakávaná dĺžka života regulátora sa odhaduje na 10 rokov. Odporúča sa, aby regulátor sa vymenil do 10 rokov od dátumu výroby. Použitie nesprávneho regulátora alebo hadice je nebezpečné; Pred použitím grilu vždy skontrolujte, či máte správne veci. Opatrebovaná alebo poškodená hadica musí byť vymenená. Uistite sa, že hadica nie je upchatá, zalomená alebo v kontakte so žiadnou časťou grilu inak ako pri svojom pripojení. Použitá hadica musí zodpovedať príslušnej norme platnej v krajine použitia.

SKLADOVANIE SPOTREBIČA

Skladovanie prístroja v interiéroch je povolené iba vtedy, ak je fľaša odpojená a zložená zo spotrebiča. Pokiaľ nebudete prístroj dlhšiu dobu používať, mali by ste ho uložiť v pôvodnom obale a v suchom a bezprašnom prostredí.

PALIVOVÁ NÁDRŽ

S plynovou nádržou by sa nemalo zhadzovať alebo sa s ňou musí hrubo manipulovať! Ak sa spotrebič nepoužíva, nádrž musí byť odpojená. Po odpojení fľaše od spotrebiča nasadte na fľašu ochranný kryt. Fľaše sa musia skladovať vonku vo zvislej polohe a mimo dosahu detí. Fľaša sa nesmie nikdy skladovať tam, kde môžu teploty dosiahnuť viac ako 50°C. Neuchovávajte fľašu v blízkosti plameňov, kontroliek alebo iných zdrojov zapálenia. NEFAJČITE.

Tento gril je určený na použitie vonku, mimo horľavých materiálov. Je to dôležité aby nad grilom neboli žiadne prekážky a vzdialenosť od prístroja od boku alebo zozadu je minimálne 1 meter. Je dôležité, aby neboli upchaté vetracie otvory prístroja. Gril sa musí používať na rovnom a stabilnom povrchu. Spotrebič by mal byť chránený pred priamym prievanom a musí byť umiestnený alebo chránený proti priamemu kontaktu s akoukoľvek striekajúcou vodou.

Užívateľ nesmie meniť diely zapečatené výrobcom alebo jeho zástupcom. Nesmú sa robiť žiadne úpravy ktorejkoľvek časti tohto grilu a opravy a údržba by sa mali vykonávať iba autorizovaným servisným technikom.

PRIPOJENIE K ZARIADENIU

Pred pripojením spotrebiča sa uistite, že v hlave plynovej fľaše, regulátore, horáku a častiach horáka nie sú žiadne nečistoty. Pavúky a hmyz

sa môžu usadiť vo vnútri a pri otvorení upchať horák / venturiho trubicu. Zanesený horák môže viesť k požiaru v spodnej časti zariadenia. Hadicu pripevnite k prístroju pomocou kľúča a utiahnite ju na pripojovací závit. Ak sa hadica vymení, musí byť pripevnená k prípojkám spotrebiča a regulátora pomocou hadicových spôn. Keď gril nepoužívate, odpojte regulátor od fľaše (podľa pokynov dodaných s regulátorom). Gril sa musí používať na dobre vetranom mieste. Keď je gril v prevádzke, nezakrývajte prúd spaľovacieho vzduchu k horáku. TENTO GRIL POUŽÍVAJTE IBA VONKU.

PRED POUŽITÍM SKONTROLUJTE ÚNIKU

Nikdy nekontrolujte tesnosť otvoreným ohňom: vždy používajte mydlový roztok.

KONTROLA ÚNIKOV

0,5 L roztoku na detekciu úniku vyrobte zmiešaním jednozložkovej umývacej kvapaliny s 3 dielmi vody. Uistite sa, že je regulačný ventil v polohe „OFF“. Pripojte regulátor k fľaši a ON/OFF ventilu horáku, uistite sa, že sú prípojky zaistené a potom ZAPNITE plyn. Naneste mydlový roztok na hadicu a všetky kĺby. Ak sa objavia bubliny, došlo k úniku, ktorý je potrebné pred použitím odstrániť. Po odstránení poruchy znova otestujte. Po vyskúšaní VYPNITE plyn na fľaši. Ak je zistený únik a nie je možné ho napraviť: Nepokúšajte sa netesnosť opraviť a kontaktujte svojho predajcu plynu!

NÁVOD NA POUŽITIE

Zostavte gril opatrne podľa pokynov. Pripojte plynovú hadicu k grilu. Pripojte regulátor k hadici. Pripojte regulátor k ventilu fľaše podľa pokynov regulátora dodaných s regulátorom. Pred zapnutím prívodu plynu do prístroja otočte všetky ovládacie gombíky do polohy „OFF“. Regulátor prevádzkujte v súlade s pokynmi dodanými s regulátorom.

ZAPÁLENIE VÁŠHO GRILU (HLAVNÝ HORÁK)

INŠTRUKCI AN ZAPÁLENIE MODEL G2082 / X88-000010

1. Otvorte kryt.
2. Otočte všetky ovládacie gombíky v smere hodinových ručičiek do polohy „OFF“.
3. Pripojte regulátor plynu k plynovej fľaši a spotrebiču. Zapnite prívod plynu na plynovej fľaši. Pomocou mydlovej vody skontrolujte, či nedochádza k úniku plynu medzi fľašou a regulátorom plynu.
4. Stlačte ľavý ovládacie gombík a otočte ho proti smeru hodinových ručičiek do polohy „plný výkon“, pričom stlačte tlačidlo piezo zapalovania 4-5 krát. To zapáli horák. Sledujte, či sa horák zapálil. Ak nie, tento postup zopakujte.
5. Ak horák po opätovnom zapnutí nehorí, počkajte 5 minút a opakujte krok 3.
6. Teplo upravte otočením gombíka do polohy High / Low.

- Ak horák nehorí. Spotrebič zapáľte zápalkou pomocou zapalovacieho otvoru v boku spotrebiča.
- Ak chcete zapáliť pravý horák, otočte ovládacie gombík na pravej strane do polohy s plným výkonom, aby sa rozohrel ľavý horák. Spotrebič vždy zapalujte z ľavého horáka na pravú stranu.
- Vypnutie grilu: Zatvorte ventil plynovej fľaše a potom otočte ovládacie gombíky na prístroji v smere hodinových ručičiek do polohy „VYPNUTÉ“ (OFF)

MODEL G2082 / X88-000010

- Otvorte kryt.
- Otočte všetky ovládacie gombíky v smere hodinových ručičiek do polohy „OFF“.
- Pripojte regulátor plynu k plynovej fľaši a spotrebiču. Zapnite prívod plynu na plynovej fľaši. Pomocou mydlovej vody skontrolujte, či nedochádza k úniku plynu medzi fľašou a regulátorom plynu.
- Stlačte druhé ovládacie tlačidlo identifikovateľné podľa symbolu blesku (⚡) a súčasne ho otočte do polohy „HI“. Týmto by zapalovanie malo iskriť a zapáliť hlavný horák.
- Ostatné horáky môžete zapáliť, keď kontrolka (⚡) hlavného horáka ukazuje, že je zapálený.
- Ak proces zapalovania nefunguje, otočte tlačidlo do polohy „OFF“, počkajte chvíľu a zopakujte krok 4.
- Pomocou ovládacieho tlačidla nastavte plameň na požadovanú silu.
- Ak chcete gril vypnúť, vypnite priamo plyn alebo regulátor a otočte všetky ovládacie prvky späť do polohy „OFF“.

VAROVANIE: Ak sa horák nezapáli, vypnite ovládacie gombík (v smere hodinových ručičiek) a tiež zatvorte ventil plynovej fľaše. Počkajte päť minút, kým sa pokúsite znovu zapalovať.

ČISTENIE A STAROSTLIVOSŤ

UPOZORNENIE: Všetko čistenie a údržba by sa mala vykonávať, keď je gril vychladený a keď je v dodávka paliva z plynovej fľaše VYPNUTÁ.

ČISTENIE

„Vypálenie“ grilu po každom použití (asi 15 minút) zníži nadmerné zvyšky jedla na minimum.

VONKAJŠÍ POVRCH

Použite jemný čistiaci prostriedok alebo sódu bikarbónu a horúci vodný roztok. Na odolné škrvny možno použiť neabrazívny čistiaci prášok, ktorý potom opláchnite vodou. Ak má vnútorný povrch veka grilu vzhľad odlupujúcej sa farby, usadená na masť sa zmenila na uhlík a odlupuje sa. Dôkladne očistite silným horúcim roztokom mydlovej vody. Opláchnite vodou a nechajte úplne vyschnúť. NIKDY NEPOUŽÍVAJTE ČISTIČ RÚR.

INTERIÉR ZÁKLADNE GRILU

Zvyšky odstráňte kefou, škrabkou alebo čistiacou podložkou a potom umyte mydlovým roztokom. Opláchnite vodou a nechajte vyschnúť.

VARNÁ MRIEŽKA

Použite mierny roztok mydlovej vody. Na odolné škrvny potom môžete použiť neabrazívnu čistiacu silu a potom opláchnite vodou.

ČISTENIE HORÁKU

Vypnite plyn na ovládacom gombíku a odpojte valec. Vyberte vychladené diely. Horák očistíte mäkkou kefou alebo vyfúkajte stlačeným vzduchom a utrite handričkou. Vyčistite všetky upchaté otvory čističom rúrok alebo tvrdým drôtom (napríklad otvorenou sponkou na papier). Skontrolujte horák, či nie je poškodený (praskliny alebo otvory). Ak zistíte poškodenie, vymeňte ho za nový horák. Znovu namontujte horák, skontrolujte, či sú otvory plynového ventilu správne umiestnené a zaistené vo vnútri vstupu horáka (venturiho trubica).

SERVIS

Váš plynový gril by mal každoročne opravovať kompetentný a registrovaný odborník.

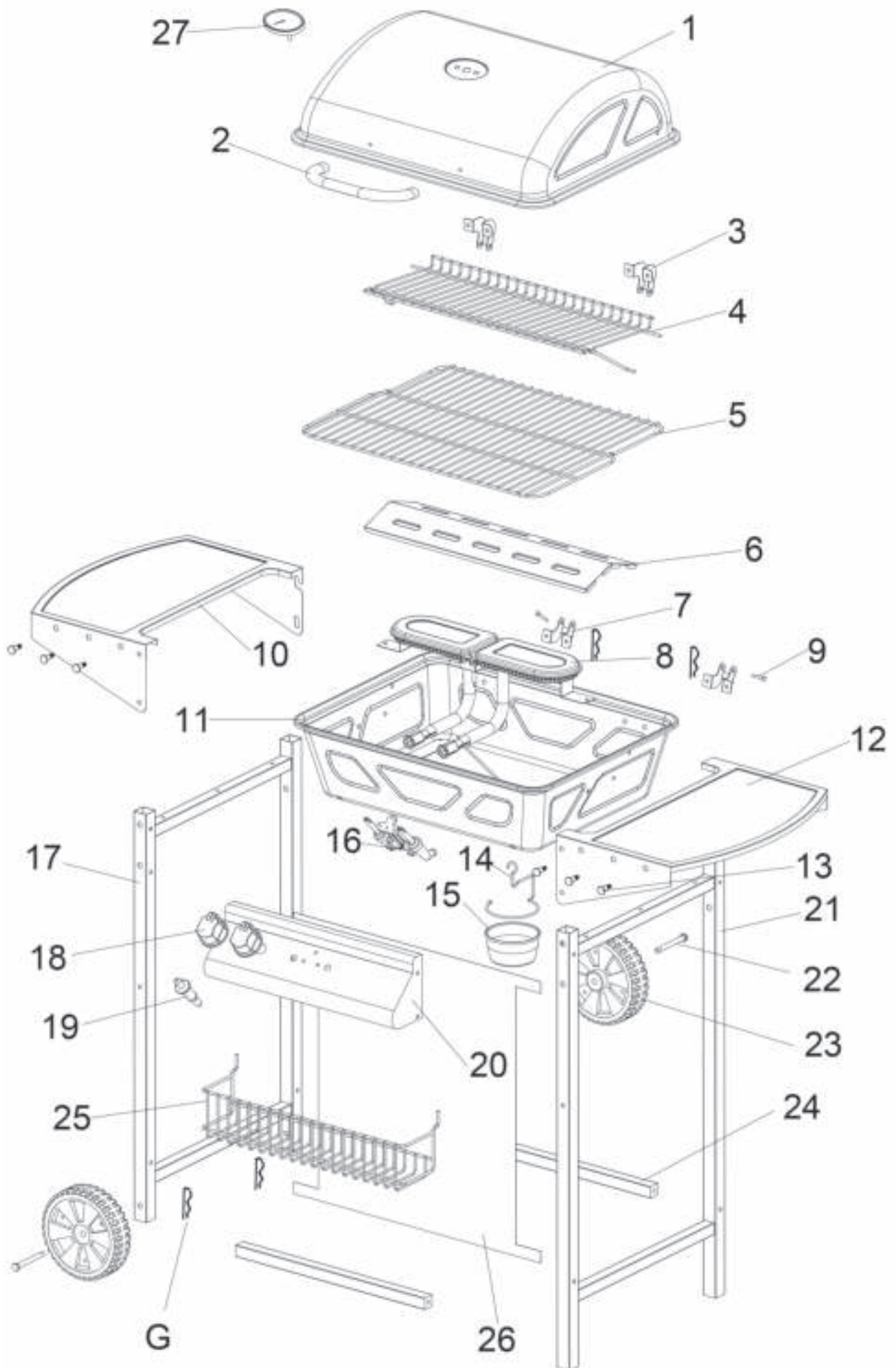
ŽIVOTNÉ PROSTREDIE



































Keď tento výrobok dosiahne svoju dobu životnosti, odneste ho na zberné miesto určené pre recykláciu elektrických a elektronických zariadení. Pozrite sa prosím na symboly na výrobku, v návode, alebo na obale. Obráťte sa na obecný úrad v mieste Vášho bydliska, kde by Vám mali poskytnúť adresu na príslušné zberné miesto vo Vašem okolí.



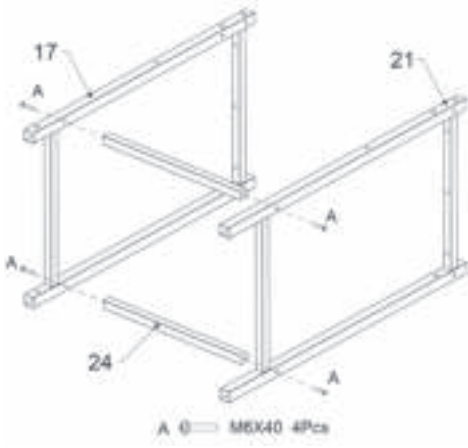
excl. / Exkl. / nezahr.
nie zawiera / искл. / dahil deġil
ekskl. / nem tart. / ei sis.
δεν περιλαμβάνεται / iznemot
nejsk. / ei ole komplektis
bez. / nezahrnuté

ASSEMBLY INSTRUCTIONS MODEL G2082 / X88-000010

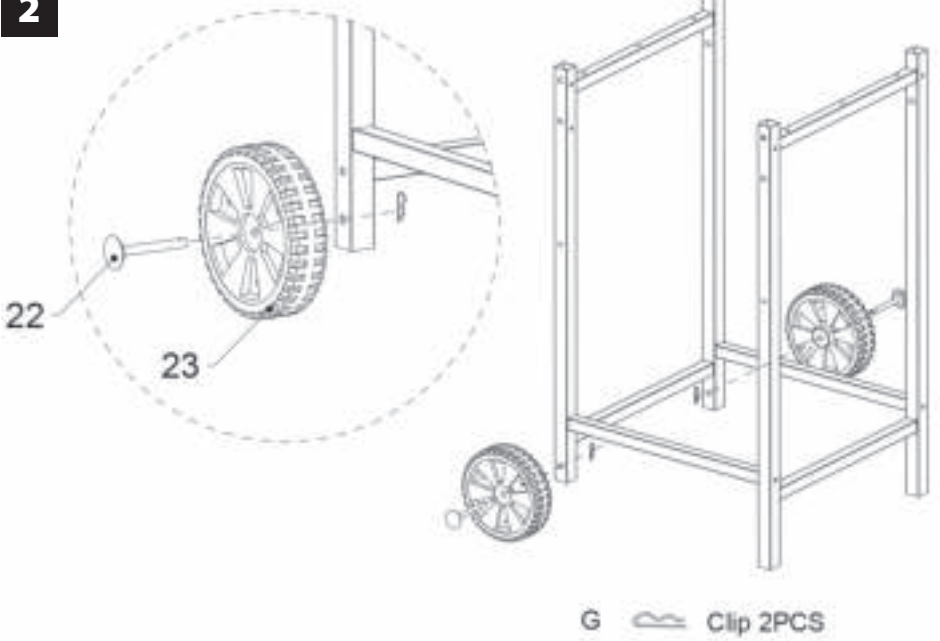


NO.	Description	Figure	Q'TY	NO.	Description	Figure	Q'TY
1	Lid		1	20	Control Panel		1
2	Lid Handle		1	21	Right Leg Assembly		1
3	Lid Hinge		2	22	Wheel Axle		2
4	Warming Rack		1	23	Wheel 6"		2
5	Cooking Grid		1	24	Transverse Tube		2
6	Flame Tamer		1	25	Front Basket		1
7	Body Hinge		2	26	Front Cloth		1
8	Burner		1	27	Thermometer		1
9	Hinge Axle		2				
10	Side Shelf,Left		1				
11	Body		1				
12	Side Shelf,Right		1				
13	Hook		6	A	Screw (M6X40)		4
14	Grease Cup Hook		1	B	Screw (M6X10)		8
15	Grease Cup		1	C	Screw (M5X30)		10
16	Valve		1	D	Screw (M5X10)		13
17	Left Leg Assembly		1	E	M5Nut		18
18	Knob		2	F	Screw (M4X10)		4
19	Ignitor		1	G	Clip		4

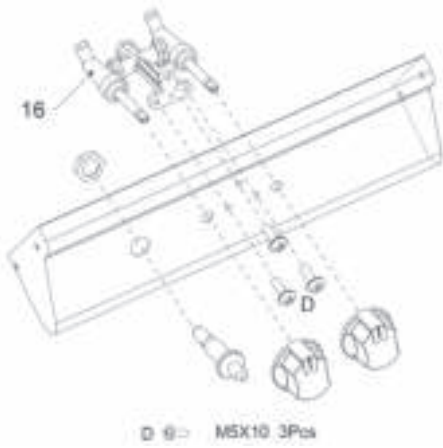
1



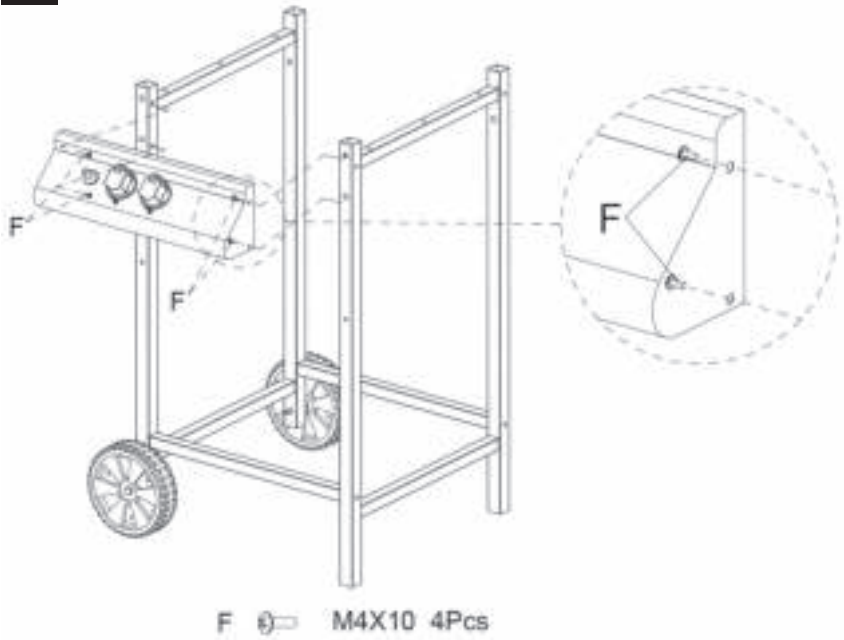
2



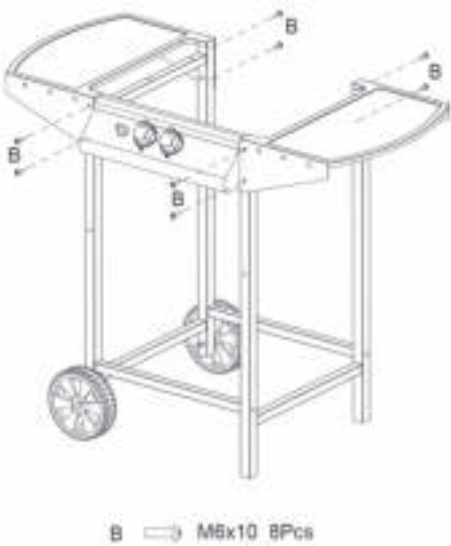
3



4



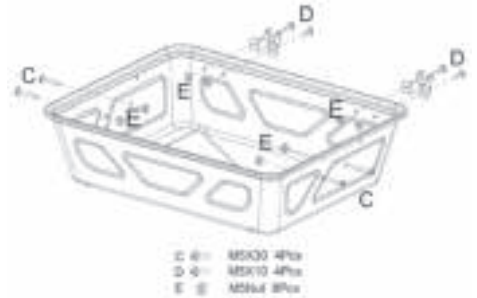
5

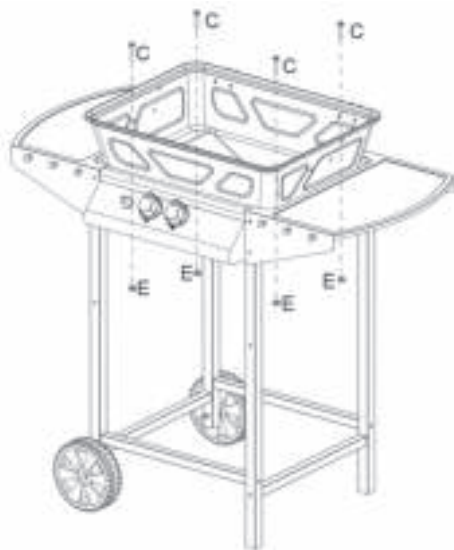


6

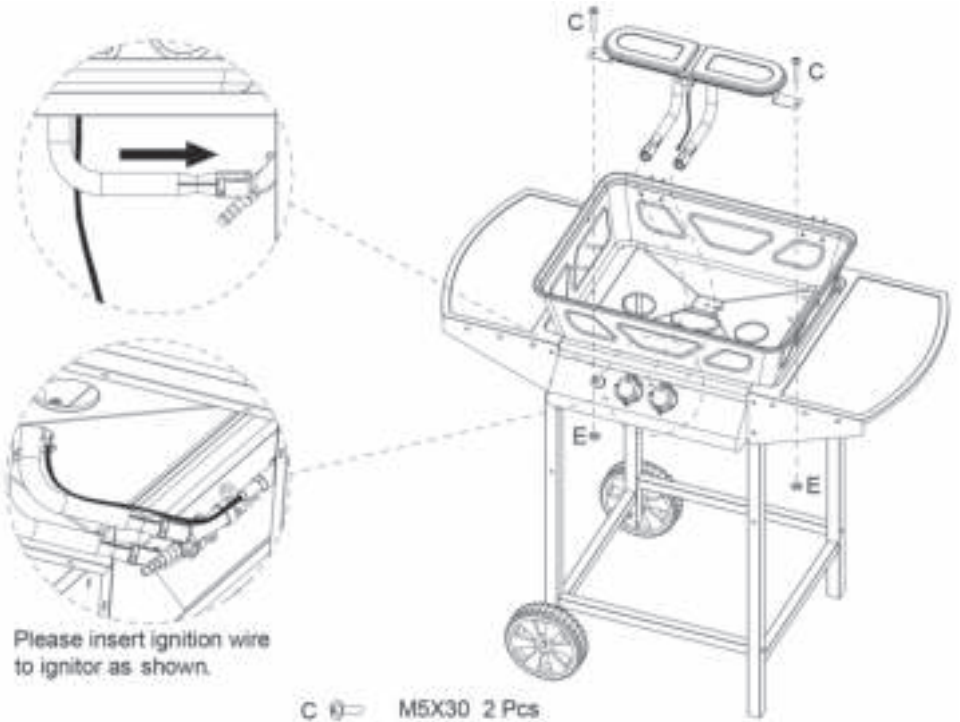


7



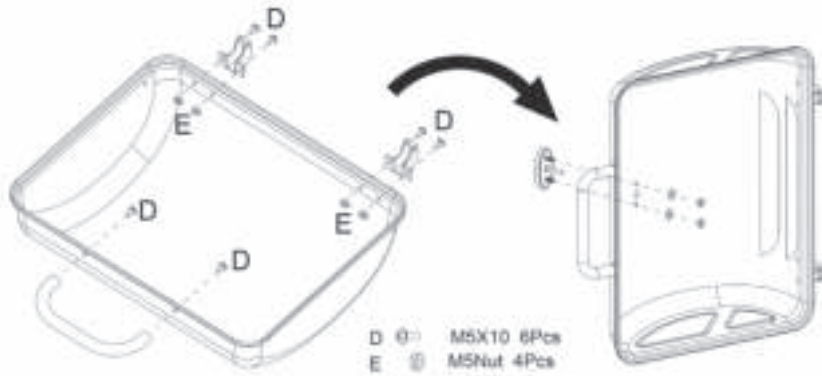
8

C M5X30 4Pcs
E M5Nut 4Pcs

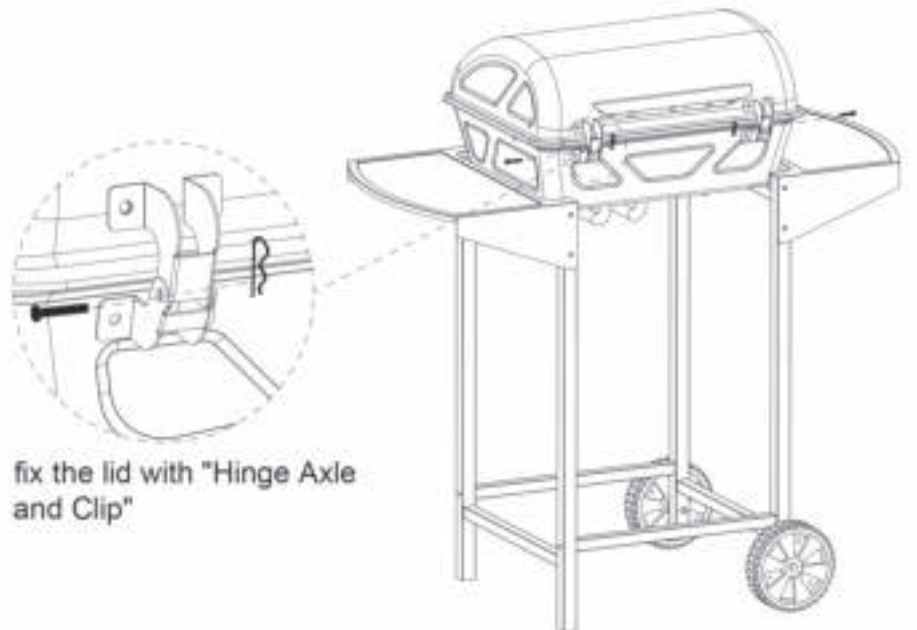
9

Please insert ignition wire to ignitor as shown.

C M5X30 2 Pcs
E M5 Nut 2 Pcs

10

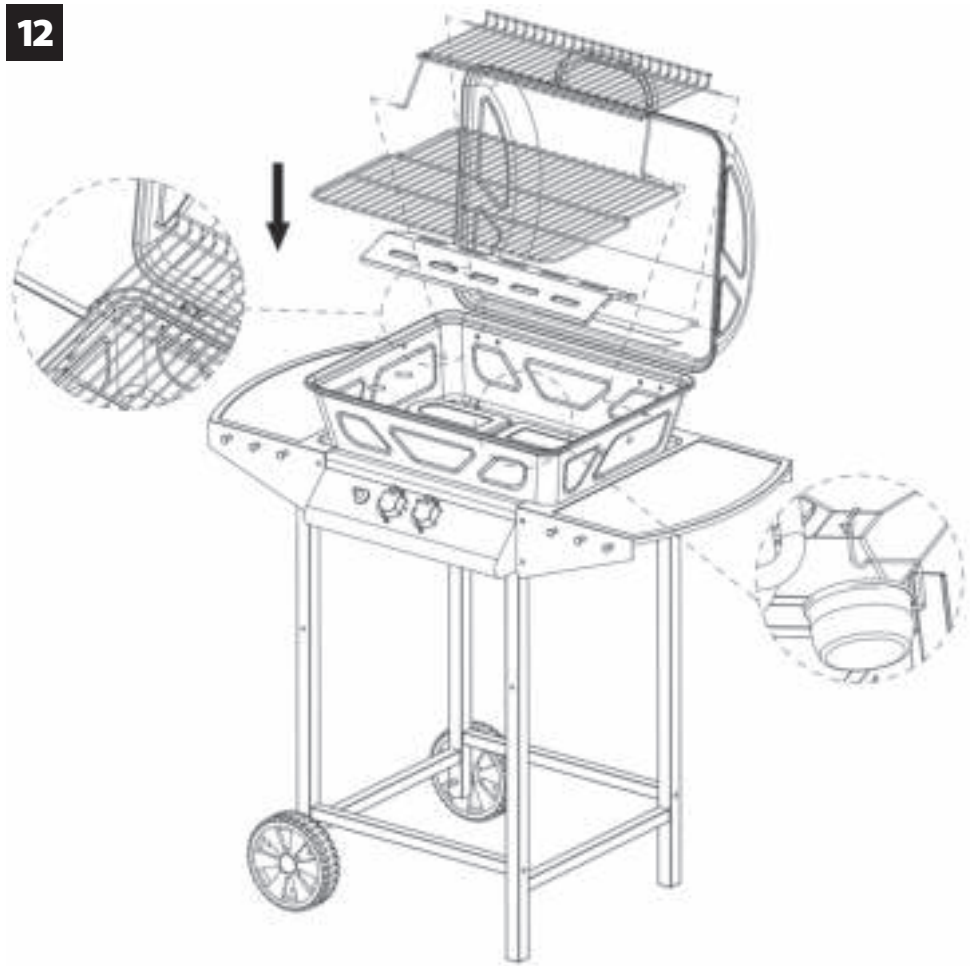
D M5X10 6Pcs
E M5Nut 4Pcs

11

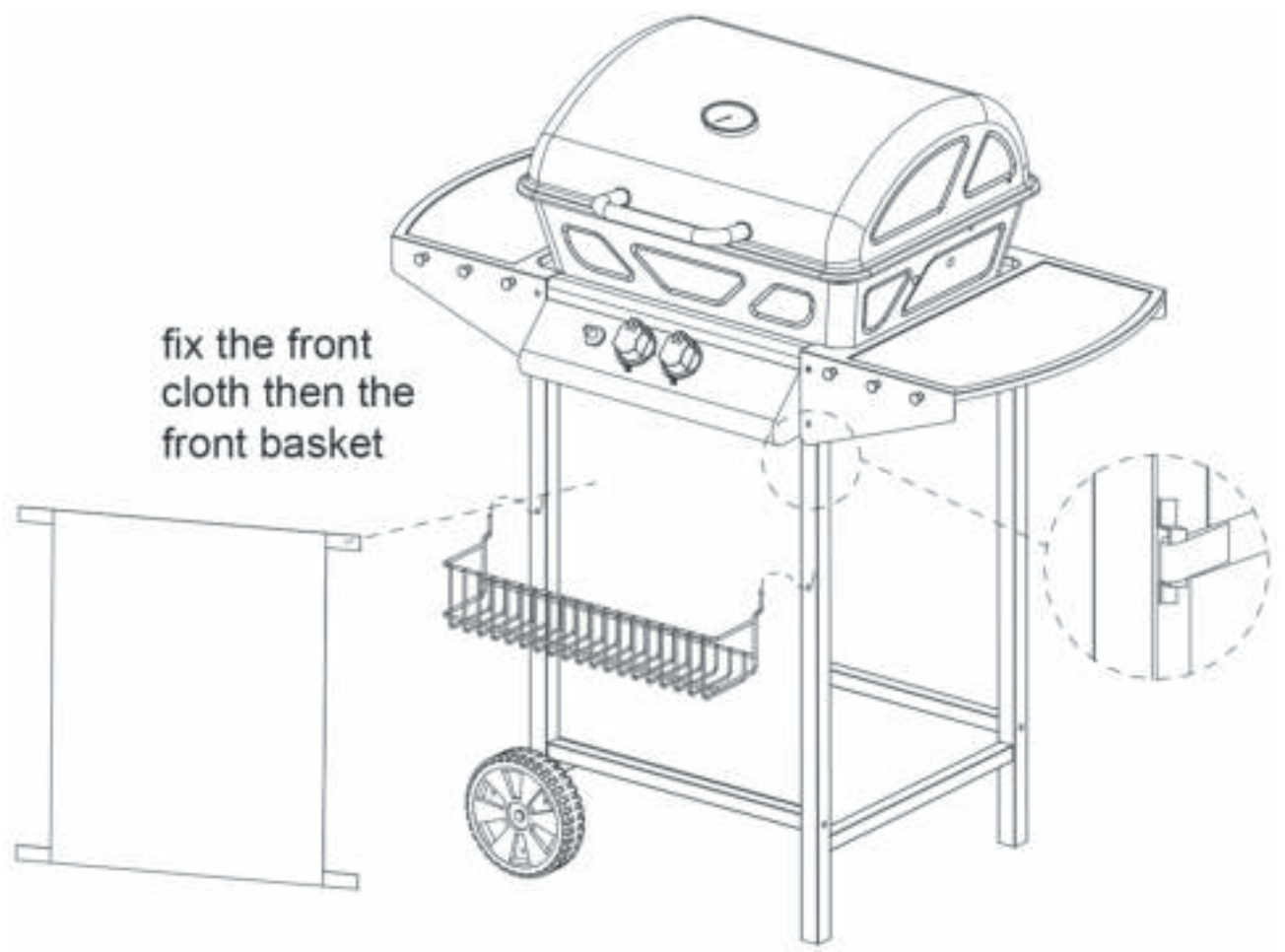
fix the lid with "Hinge Axle and Clip"

Clip 2PCS
 Hinge Axle 2PCS

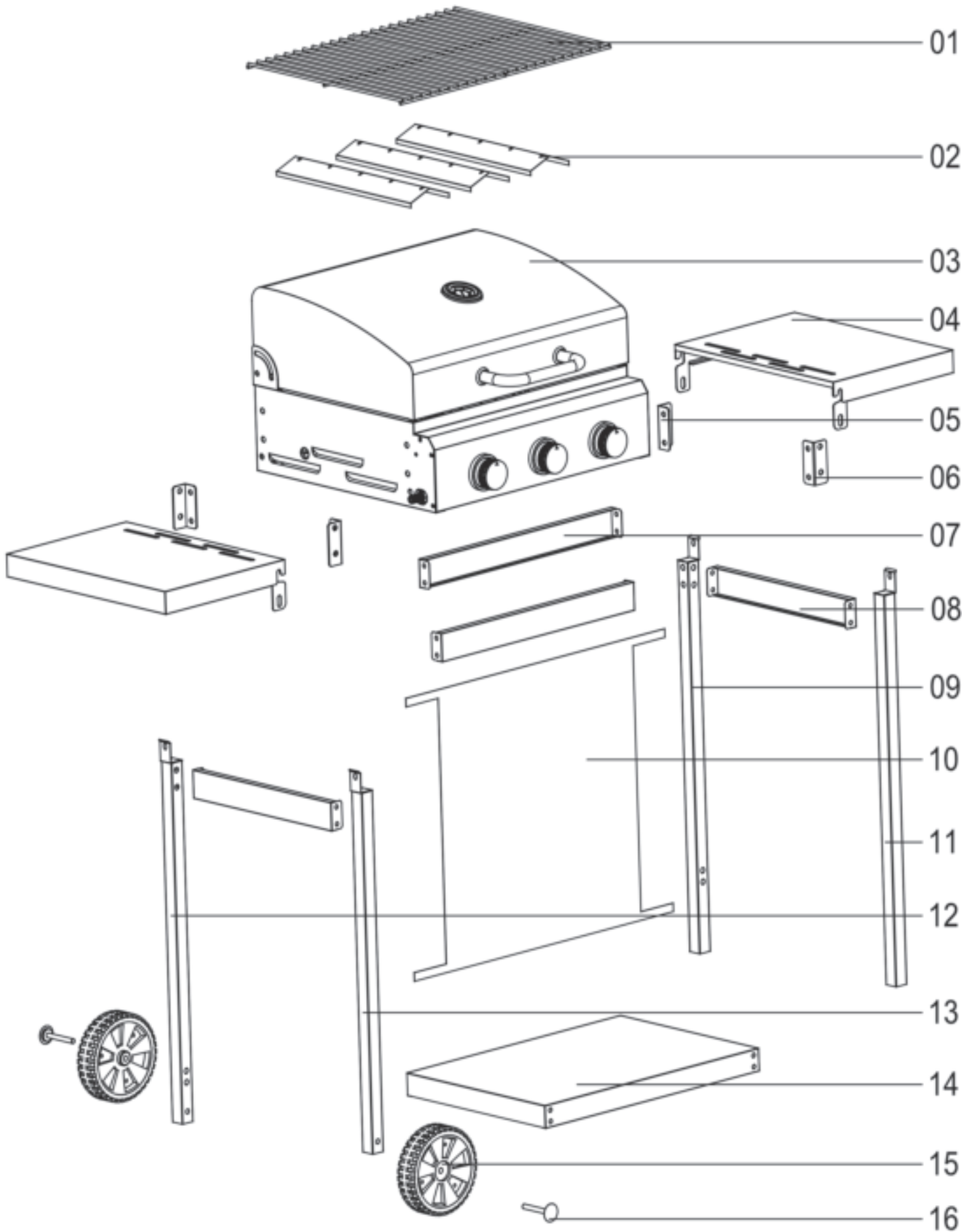
12






















13

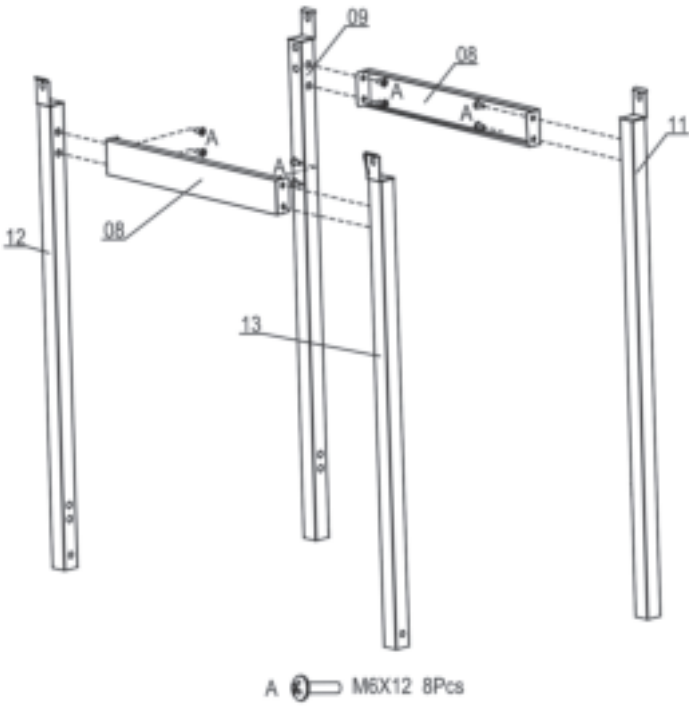


ASSEMBLY INSTRUCTIONS MODEL G9003B / X88-000020

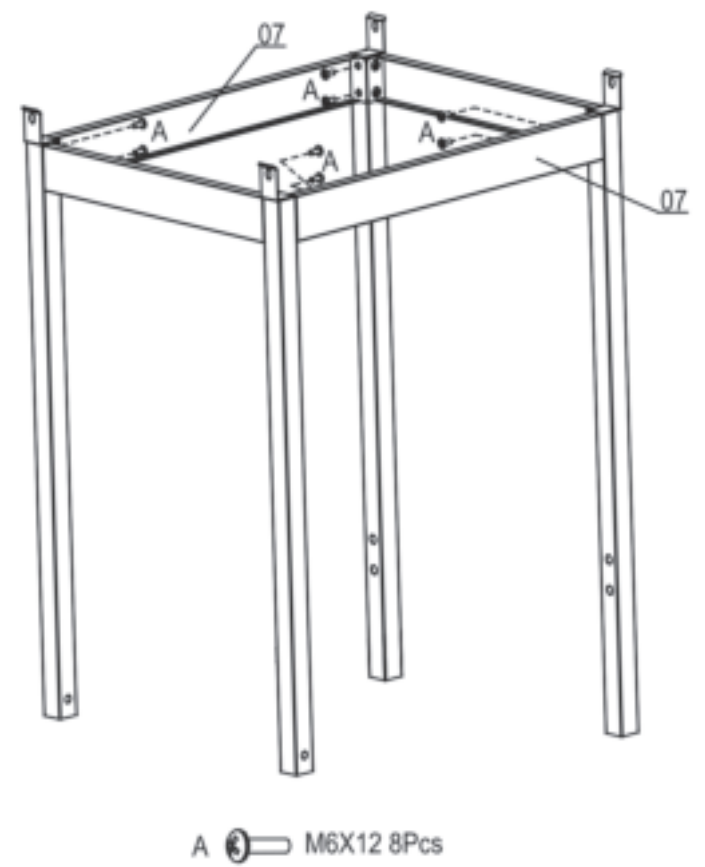


NO.	Description	Figure	QTY	NO.	Description	Figure	QTY
01	Cooking grill		2	11	Front Right Leg		1
02	Flame Tamer		3	12	Back Left Leg		1
03	Body Asem		1	13	Front Left Leg		1
04	Side Shelf		2	14	Bottom Panel		1
05	Side table stents A		2	15	Wheel		2
06	Side table stents B		2	16	Wheel Axle		2
07	Front & Back Bracket		2	A	Screw(M6X12)		36
08	Side Bracket		2	B	Clip		2
09	Back Right Leg		1	C	M6 Axle		8
10	Front Cloth		1				

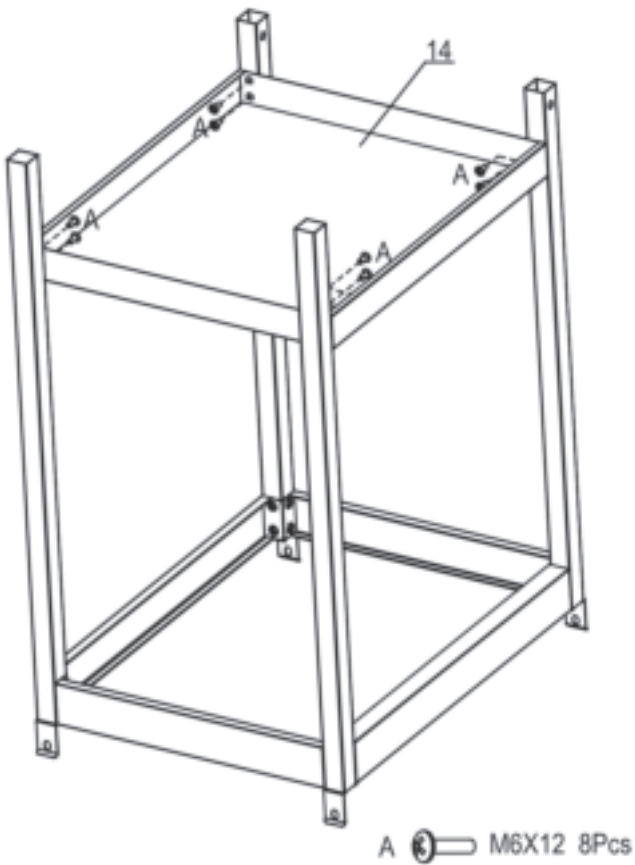
1



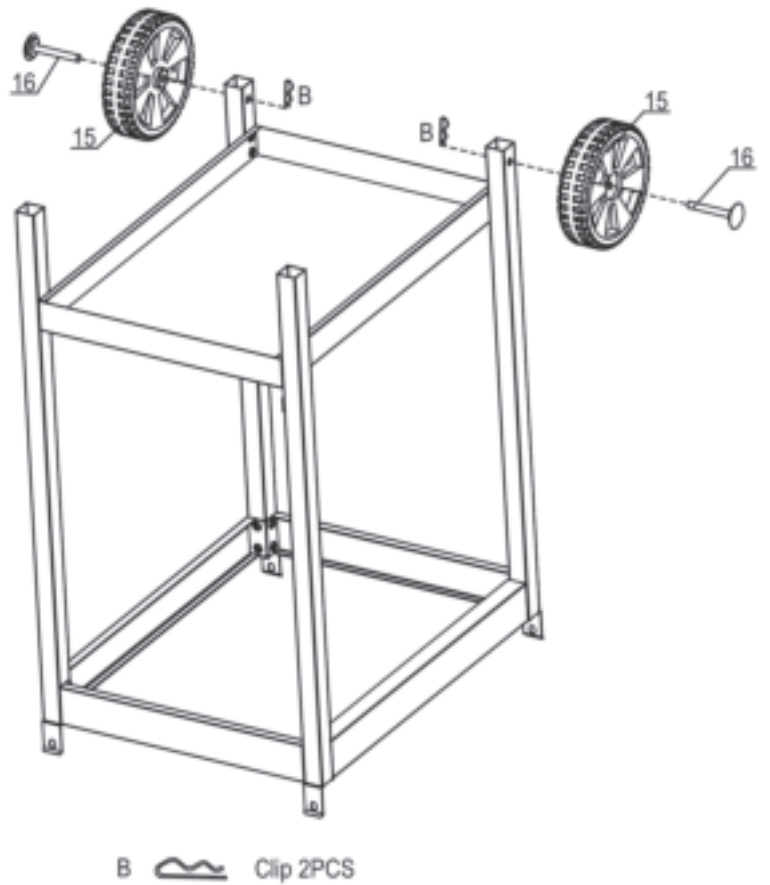
2



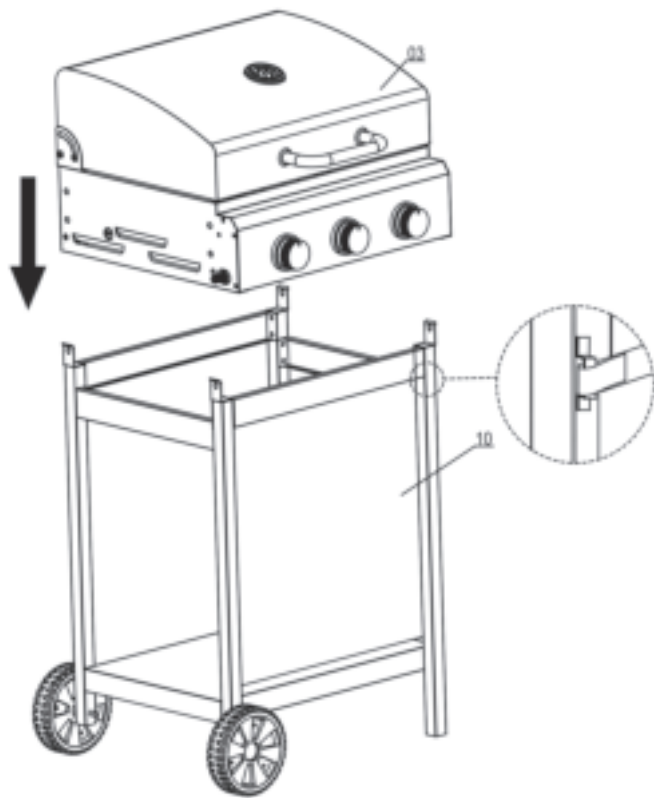
3



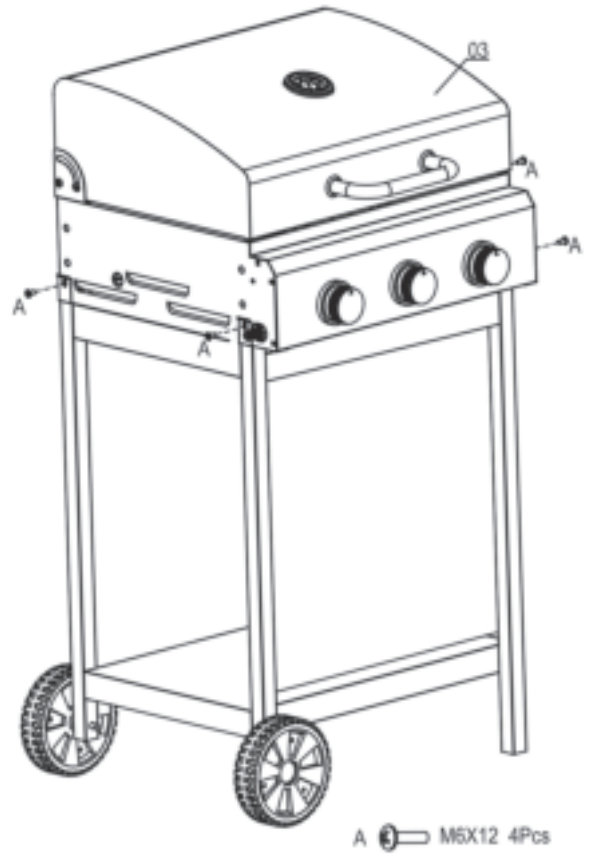
4



5

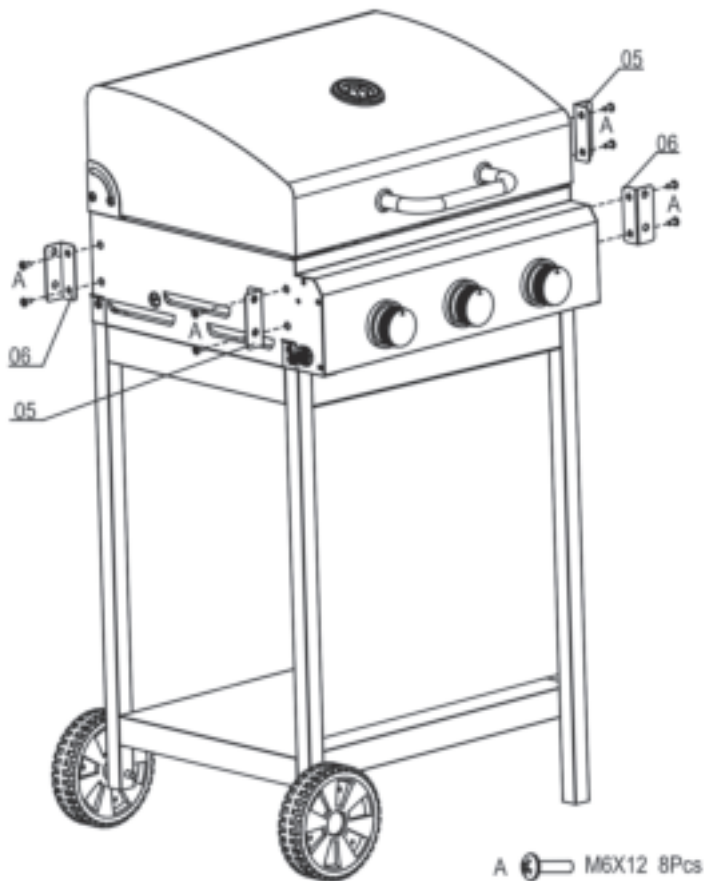


6



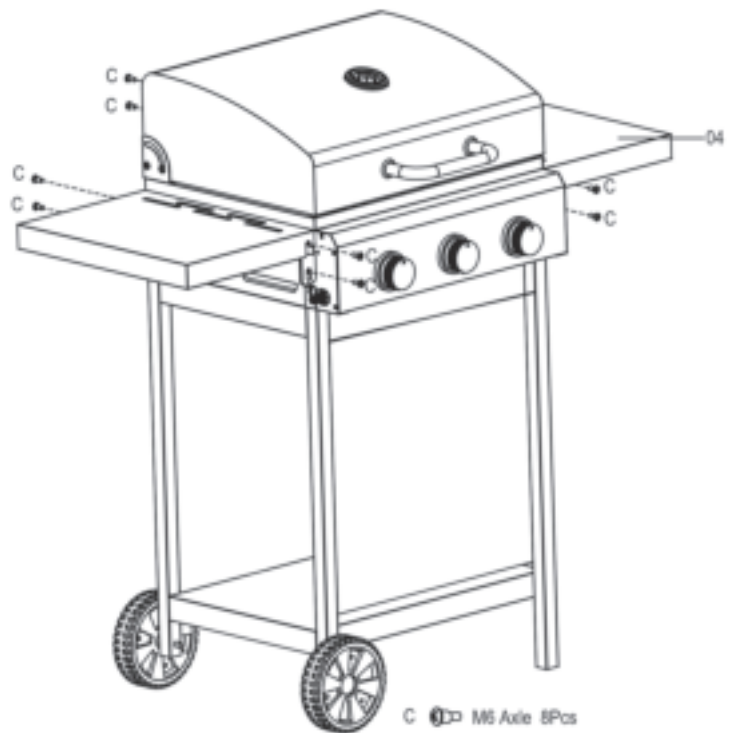
A  M6X12 4Pcs

7

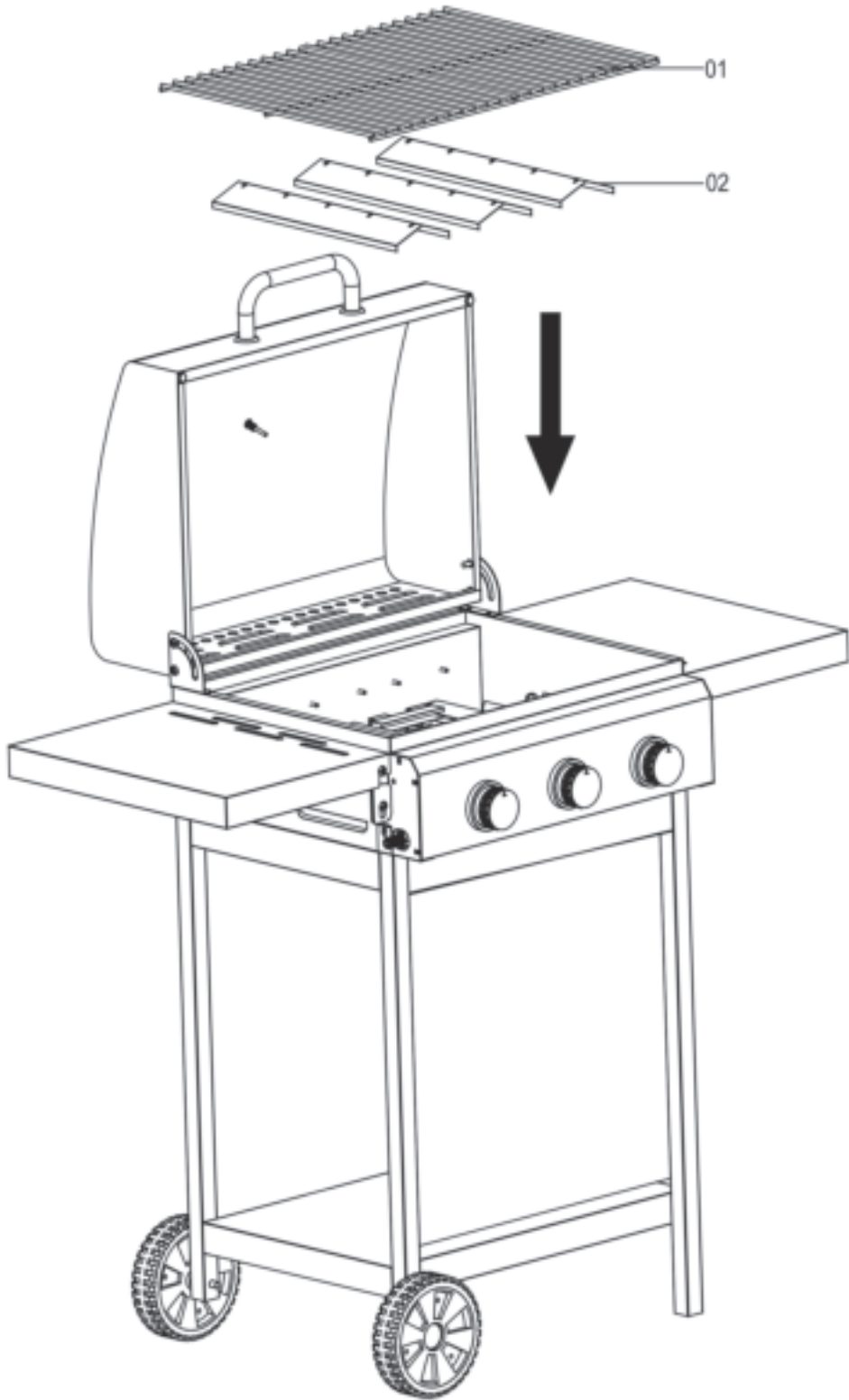


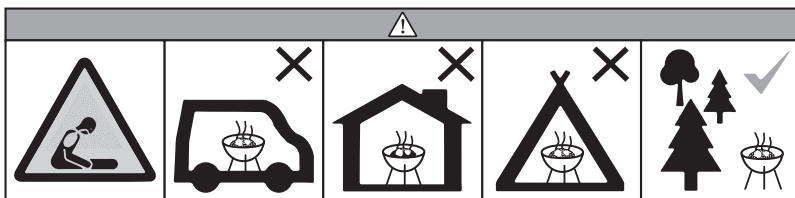
A  M6X12 8Pcs

8



C  M5 Axle 8Pcs





Do not use the barbecue in a confined and/or habitable space e.g. houses, tents, caravans, motor homes, boats. Danger of carbon monoxide poisoning fatality.

Gebruik de barbecue niet in een binnen en/of bewoonbare ruimte, b.v. huizen, tenten, caravans, garages of boten. Gevaar voor fatale koolmonoxide vergiftiging.

Verwenden Sie das Barbecue nicht in einem geschlossenen und/oder Wohnraum, z.B. Häuser, Zelte, Wohnwagen, Wohnmobile, Boote. Gefahr der Kohlenmonoxidvergiftung.

Veillez ne pas utiliser le barbecue dans un espace confiné ou habitable, p. ex. à l'intérieur de maisons, tentes, caravanes, camping-cars et bateaux. Risque de décès par empoisonnement au monoxyde de carbone.

No utilice la barbacoa en un espacio cerrado y/o habitáculo p. ej. en casas, tiendas, (auto-)caravanas, botes. Peligro de intoxicación mortal por monóxido de carbono.

Non usare in luoghi chiusi o abitabili come ad es. case, tende, campers o roulotte, garage e imbarcazioni. Pericolo di intossicamento per monossido di carbonio.

Gril nepoužívejte ve stísněném a / nebo obytném prostoru, např. domy, stany, karavany, mobilní domy, lodě. Nebezpečí smrtelné otravy oxidem uhelnatým.

Não utilize o grelhador em espaços confinados e/ou habitados, por exemplo casas, tendas, caravanas, barcos, etc. Perigo de intoxicação fatal com monóxido de carbono.

Nie używać grilla w zamkniętych pomieszczeniach i/lub w pomieszczeniach mieszkalnych np. domach, namiotach, przyczepach kempingowych, domach na kołach, łodziach. Niebezpieczeństwo zatrucia tlenkiem węgla.

Не используйте барбекю в ограниченном и / или жилом помещении, например домах, палатках, караванах, гаражах или лодках. Опасность отравления угарным газом.

Mangalı kapalı ve / veya yaşanabilir bir yerde, örneğin evler, çadırlar, karavanlar, garajlar veya teknelerde kullanmayınız. Ölümcül karbon monoksit zehirlenmesi tehlikesi vardır.

Brug ikke grillen i et lukket område, f.eks. indendørs, i telte, i campingvogne, ombord på både. Der kan være fare for forgiftning.

Ikke bruk grillen i lukkede og / eller bebodde rom som f.eks. telt, campingvogner, bobiler og båter. Fare for karbonmonoksid-forgiftning.

Använd ej grillen i ett slutet utrymme och/eller i rum ägnat för boende såsom hus, tält, husvagnar, campingstugor, båtar. Fara för dödlig kolmonoxidförgiftning.

Ne használja a barbecuet fedett vagy zárt térben, például lakásban, sátorban, lakókocsiban, lakóbuszban, vagy hajón. Fokozott karbon-monoxid veszély, ami halálos kimenetelű lehet.

Älä käytä grilliä ahtaassa tilassa ja/tai asuintilassa, esim. talossa, teltassa, asuntovaunussa, matkailuautossa, laivassa. Kuolettavan häkämyrkytyksen vaara.

Μην χρησιμοποιείτε το μπάρμπεκιου σε περιορισμένο και / ή κατοικήσιμο χώρο, π.χ. σπίτια, σκηνές, τροχόσπιτα, μηχανοκίνητα σπίτια, βάρκες. Κίνδυνος θανάτου από δηλητηρίαση με μονοξείδιο του άνθρακα.

Neizmantojiet grilu norobežotā un/vai apdzīvojamā telpā, piem., mājā, teltī, treilerā, autofurgonā, laivā. Pastāv risks letāli saindēties ar oglekļa monoksīdu.

Nesinaudokite kepsnines ribotos erdvės ir (arba) gyvenamosios patalpos, pvz., namuose, palapinėse, furgonuose, nameliuose ant ratų, laivuose. Pavojus mirtinai apsinuodyti anglies monoksidu.

Žara ne uporabljajte v zaprtih in/ali bivalnih prostorih, kot so hiša, šotori, počitniške prikolice, avtodomi ali čolni. Nevarnost zastrupitve z ogljikovim monoksidom s smrtnim izidom.

Ärge kasutage grilli piiratud ja/või suletud ruumis, nagu maja, telk, karavan, autoelamu või paat. Surmaga lõppeva vingugaasi mürgituse oht.

Nemojte koristiti roštilj u zatvorenim prostorima ili prostorima predviđenim za boravak, kao npr. kuće, tente, karavani, garaže, ili brodovi. Opasnost od fatalnog trovanja sa ugljičnim monoksidom.

Не використовуйте барбекю в обмеженому та / або житловому приміщенні, наприклад будинках, наметах, караванах, гаражах або човнах. Небезпека отруєння чадним газом.

Nu utilizați grătarul într-un spațiu închis și / sau locuibil, de exemplu, case, corturi, caravane, case auto, bărci. Pericol de deces prin intoxicare cu monoxid de carbon.

Не използвайте барбекюто в затворени и/или обитаеми места, напр. къщи, палатки, каравани, мобилни домове, лодки. Опасност от отравяне с въглероден оксид.

Nepoužívajte gril v uzavretom a / alebo obytnom priestore, napr. v dome, stane, karavane, motorovom dome, člne. Hrozí nebezpečenstvo úmrtia pri otravách oxidom uhoľnatým.

VAGGAN

BARBECUE

MODEL G2082 / X88-000010



MODEL G9003B / X88-000020

