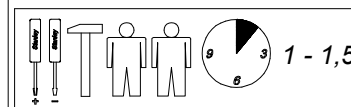
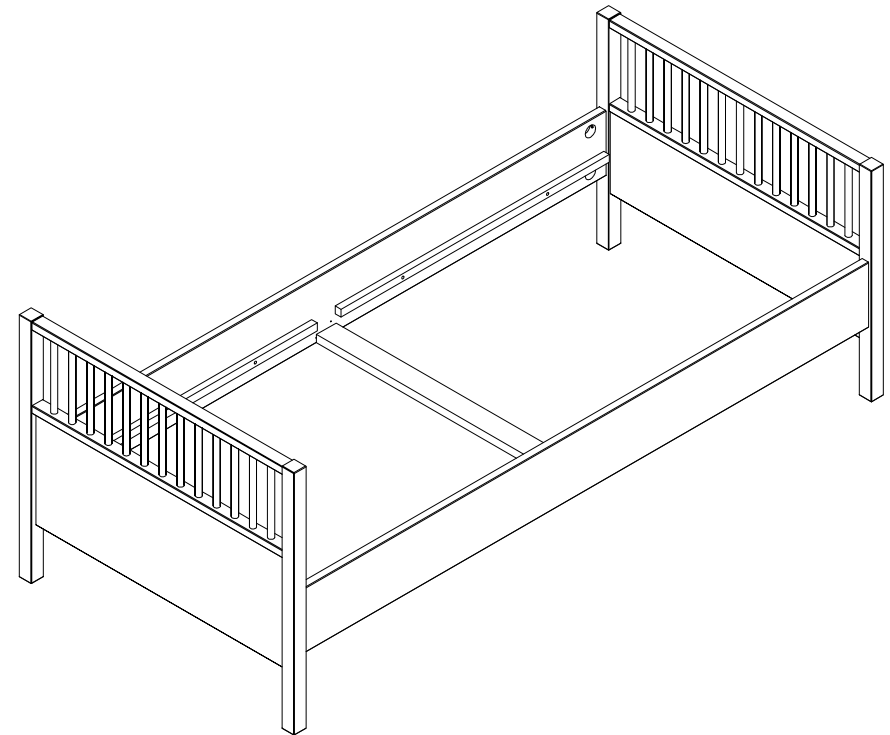


Instruction Manual

Mika

BED 90x200

15422951



DISTRIBUTOR:

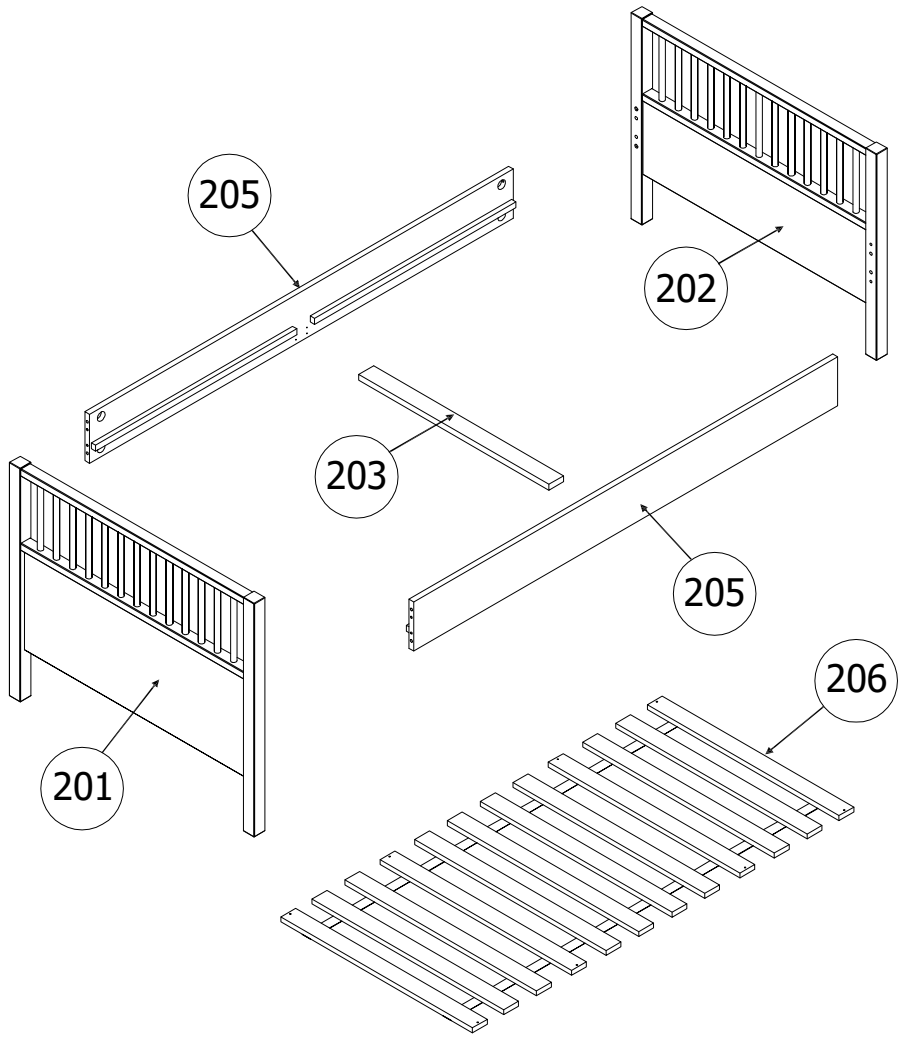
BOPITA









Energieweg 1, 6662 NS Elst

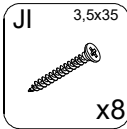
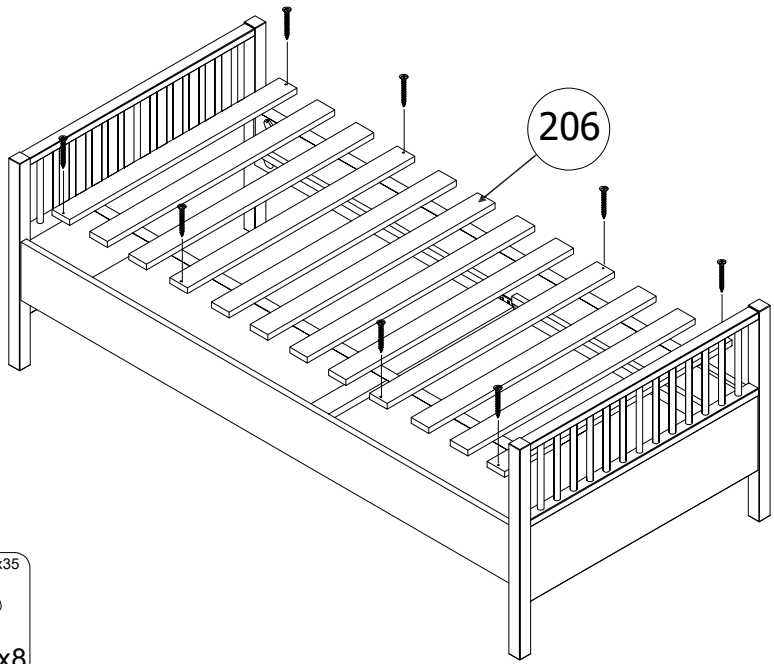
The Netherlands

www.bopita.com

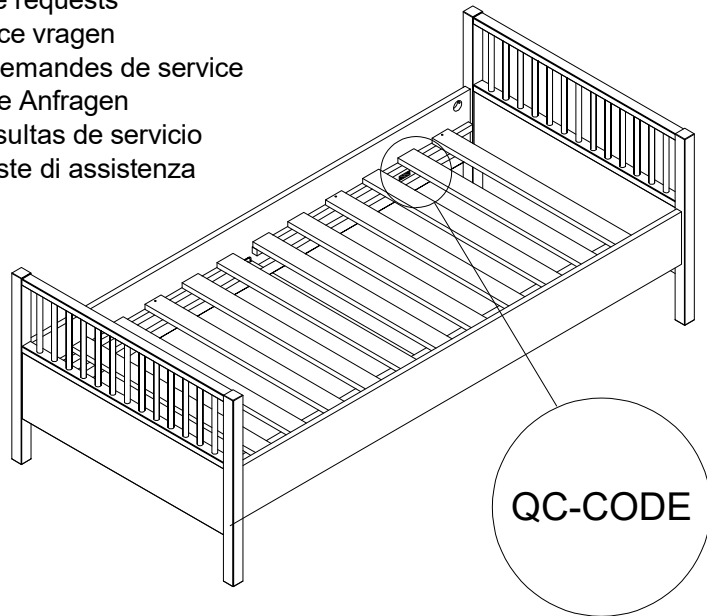
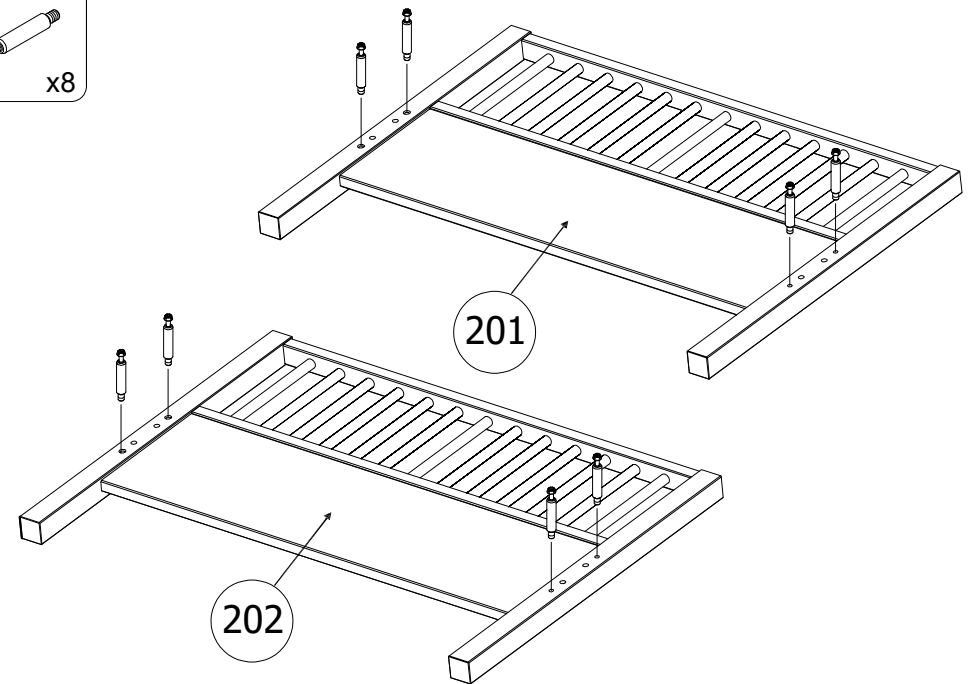
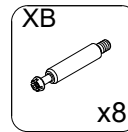
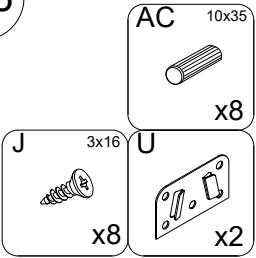
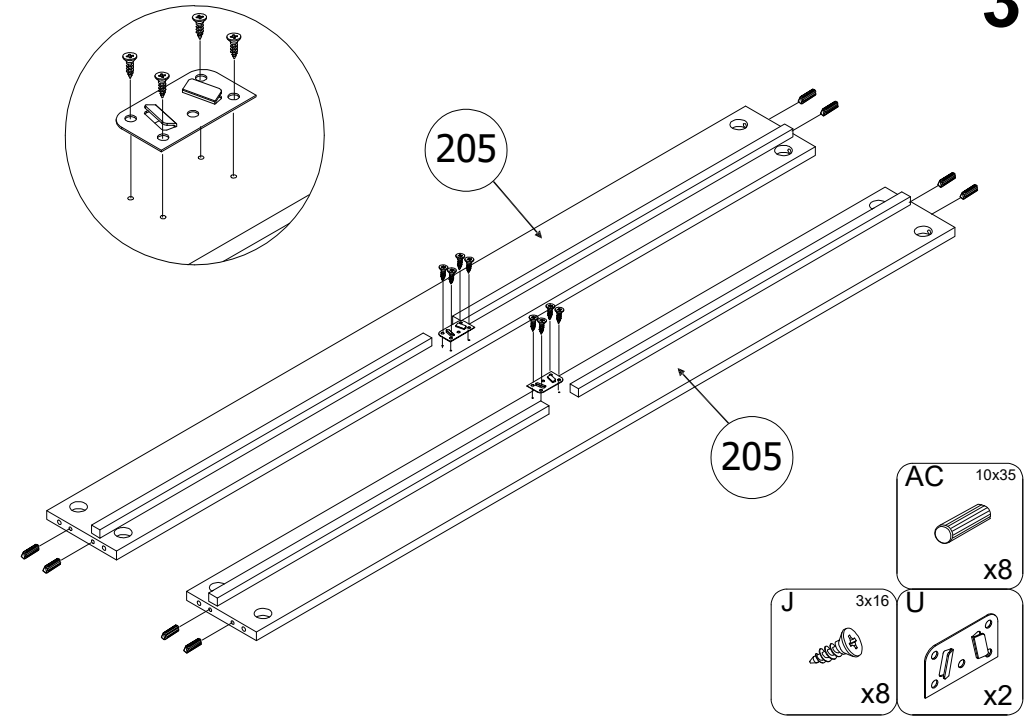
04.05.2022.

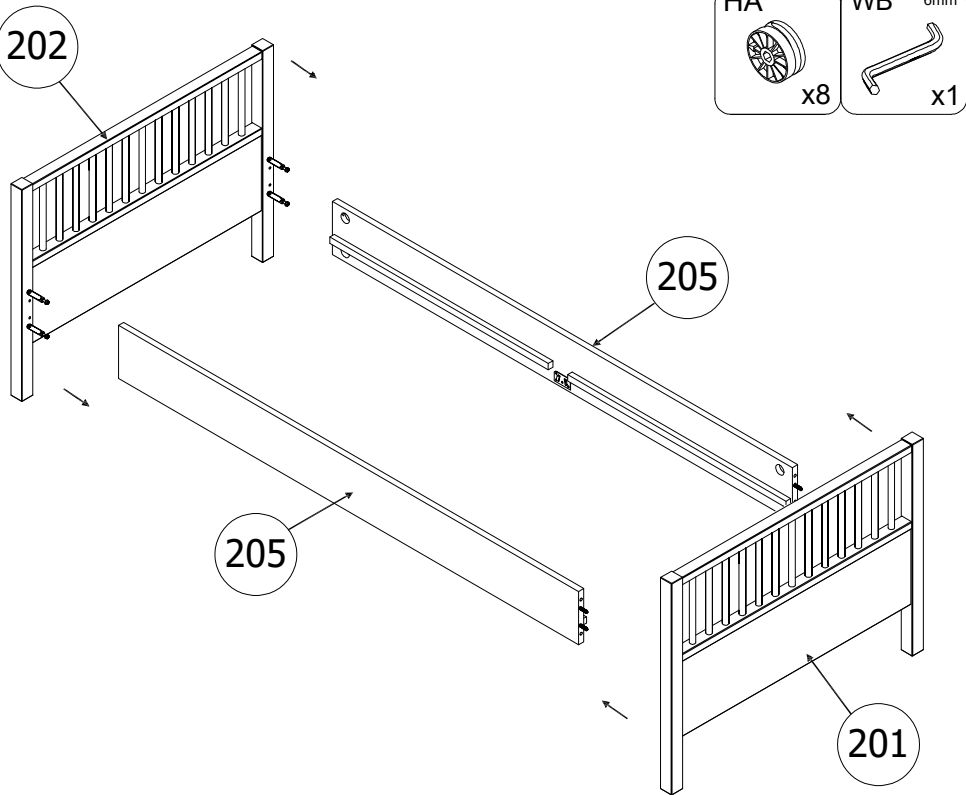




- | | | | |
|---|--|--|---|
| J
3x16

x14 | U

x2 | UA

x2 | AC 10x35

x8 |
| HA

x8 | XB

x8 | WB 6mm

x1 | Jl 3,5x35

x8 |

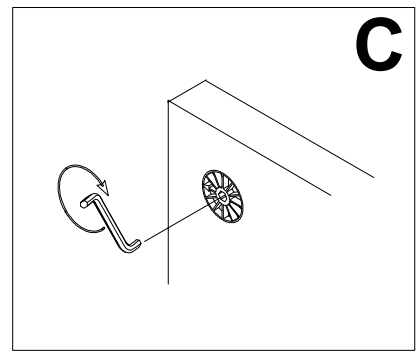
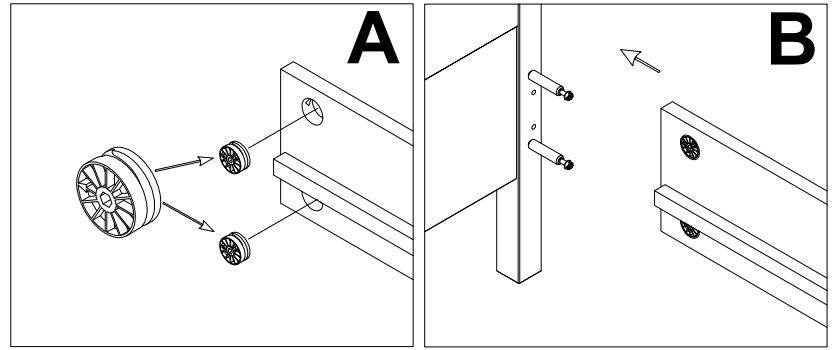
8**QC-CODE**

- (UK) for service requests
- (NL) voor service vragen
- (FR) pour les demandes de service
- (DE) für Service Anfragen
- (ES) para consultas de servicio
- (IT) per richieste di assistenza

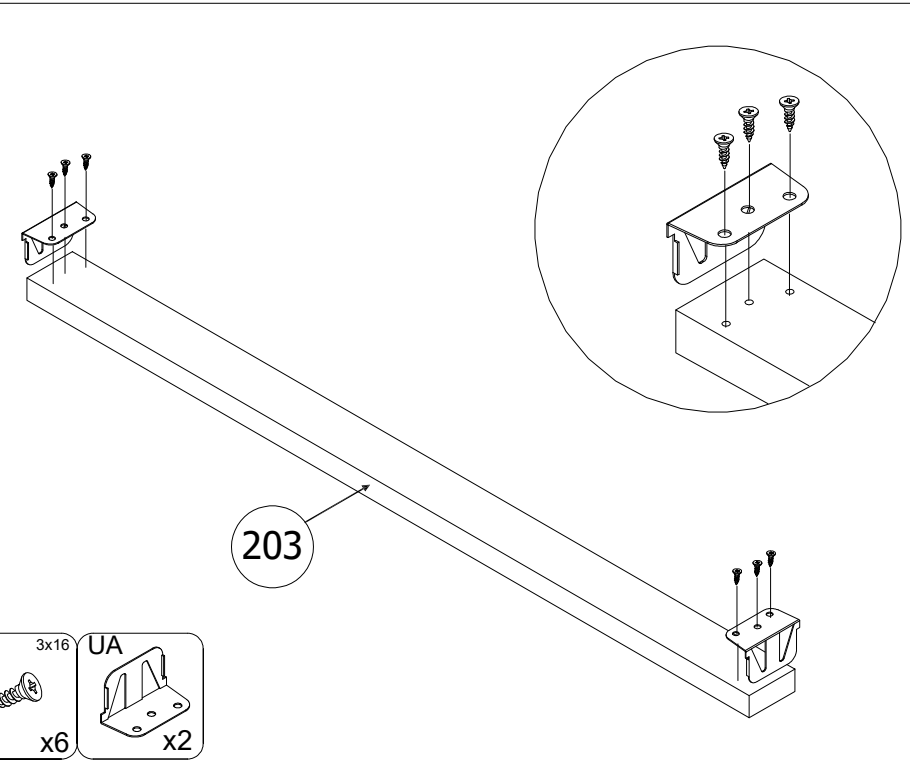
**9****3****4**


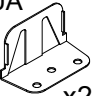


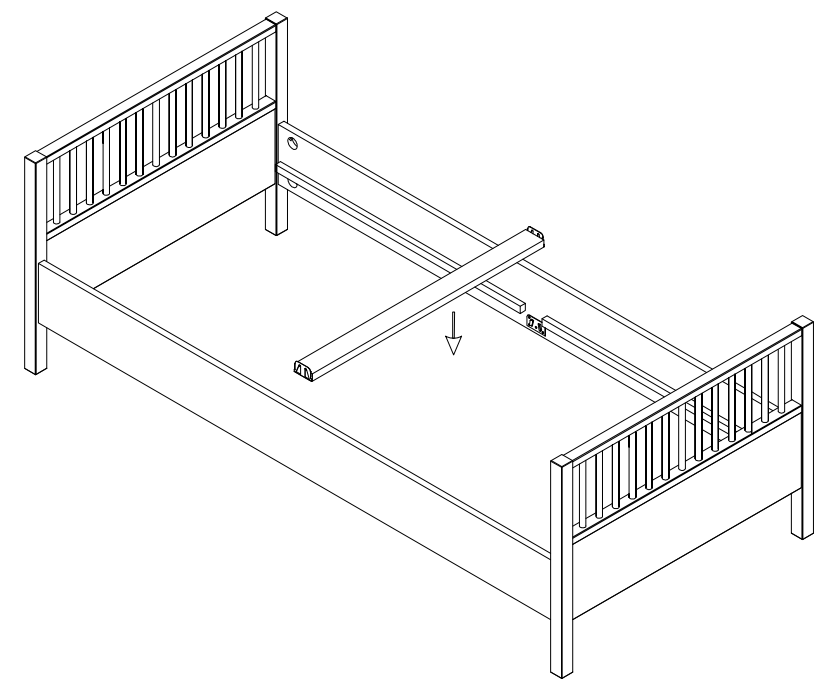
- | | |
|--|---|
| HA | WB 6mm |
|  |  |
| x8 | x1 |



5



- | | | |
|---|------|---|
| J | 3x16 | UA |
|  | |  |
| x6 | | x2 |



7

6