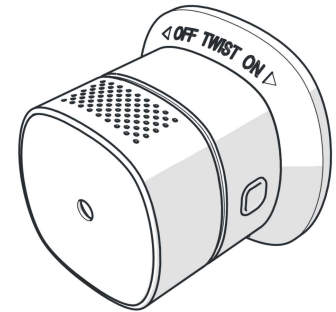


*nedis*

## Zigbee CO detector

Article number: ZBDCO11WT



**CE** Nedis BV  
De Tweeling 28, 5215 MC 's-Hertogenbosch, The Netherlands 06/22

## Preface

Thank you for purchasing the Nedis ZBDCO11WT.

This document is the user manual and contains all the information for correct, efficient and safe use of the product.

- This user manual is addressed to the end user. Read this information carefully before installing or using the product.
- Always store this information with the product for use in the future.

## Product description

### ○ Intended use

This product is intended to detect Carbon Monoxide build-up in residential environments. The product is intended for indoor use only.

Other uses or changes to the product constitute improper use and carry serious risk of accidents.

This product is not intended for commercial use.

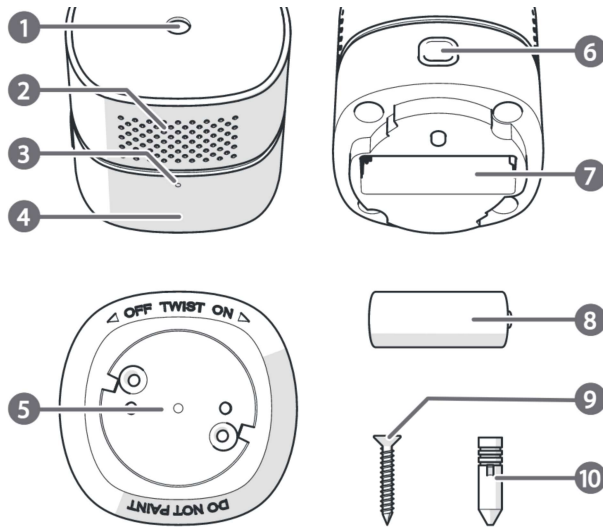
Any modification of the product may have consequences for safety, warranty and proper functioning.

## Specifications

<b>Article number</b>	ZBDC011WT
<b>Dimensions (l × w × h)</b>	43 × 43 × 50 mm
<b>Weight</b>	68 g
<b>Battery type</b>	CR123A / CR17335 Lithium Battery (HCB/EVE)
<b>Battery lifespan</b>	Up to 5 years
<b>Sensor lifespan</b>	Up to 10 years
<b>Alarm volume</b>	>85 dB @ 3 m
<b>Alarm output</b>	Visual and audible indication
<input type="radio"/> <b>Warm-up period</b>	Approximately 100 seconds
<input type="radio"/> <b>Mounting location</b>	Wall mounting
<input type="radio"/> <b>Test/Hush button</b>	Yes
<input type="radio"/> <b>Low-battery alert</b>	Yes
<input type="radio"/> <b>Detectable ppm (CO)</b>	30 – 999 ppm
<b>Operating temperature</b>	-10 °C – 40 °C
<b>Operating humidity</b>	0% – 95% (RH) non-condensing
<b>FM frequency range</b>	2400 - 2485 MHz
<b>Maximum transmission power</b>	13 dBm

---

Main parts (image **A**)



**A**

**1** Buzzer

**2** Air inlet

**3** Pairing button

**4** Alarm

**5** Bracket

**6** LED indicator and test/hush button

**7** Battery compartment

**8** Battery

**9** Screws (2x)

**10** Plugs (2x)

## Safety instructions

install or use the product, keep the packaging and the document for future reference.

- Only use the product as described in this document.
- Do not use the product if a part is damaged or defective. Replace a damaged or defective product immediately.
- Do not drop the product and avoid bumping.
- This product may only be serviced by a qualified technician for maintenance to reduce the risk of electric shock.
- Do not expose the product to water or moisture.
- Test the product once every month to ensure the product still functions.
- Do not paint the product.
- Do not use aerosols (air fresheners, hair spray, paint) near the product.
- Do not use this product in a dusty or smoky ambience.
- The CO detector will not trigger an alarm for other hazards such as gas leaks, fires or explosions. A CO detector is no substitute for smoke, fire, heat or other gas detectors.
- Assist children and/or people with mobility limitations in event of an emergency.
- Always check your home and appliances for potential problems after an alarm.
- • Consult a qualified appliance technician to check your appliances if the alarm reactivates within 24 hours.
- • Always notify the manufacturer if a problem with an appliance is identified.
- • The product is intended for use in household environments for typical housekeeping
- functions. The product is not suitable for commercial or industrial applications nor for use
- on recreational or commercial vehicles.
- • The installation of the product should not be used as a substitute for proper installation,
- use and maintenance of fuel fired facilities, including appropriate ventilation and exhaust
- systems.
- Do not dismantle, open or shred cells or batteries.
- Do not expose cells or batteries to heat or fire. Avoid storage in direct sunlight.
- Do not short-circuit a cell or a battery.
- Do not store cells or batteries haphazardly in a box or drawer where they may short-circuit each other or be short-circuited by other metal objects.
- Do not subject cells or batteries to mechanical shock.
- In the event of a battery leaking, do not allow the liquid to come in contact with the skin or eyes. If contact has been made, wash the affected area with copious amounts of water and seek medical advice.
- Do not mix cells of different manufacture, capacity, size or type within a product.
- Only use the battery type(s) recommended in this document.

Do not use any cell or battery that is not designed for use with the product.

- Use only the cell or battery in the application for which it was intended.
- Wipe the cell or battery terminals with a clean dry cloth if they become dirty.
- Battery usage by children should be supervised.
- Make sure to match the (+) and (-) polarity markings.
- Properly dispose empty cells or batteries.
- Seek medical advice immediately if a cell or a battery has been swallowed.

### **Dangers of Carbon Monoxide**

Exposure to Carbon Monoxide (CO) is very dangerous. CO is a colourless, odourless and tasteless gas that deprives oxygen from the area. This can be fatal.

CO is generated by combustion of carbonaceous materials, mainly when not enough oxygen is available. This can occur for example by malfunctioning or misuse of appliances used for heating and cooking or by vehicle engines, blocked chimneys, fireplaces, boilers, stoves and any other fuel burning appliance within a confined area.


CO is a toxin that is bound in blood where it prevents the transport of oxygen, which can cause death by suffocation.





- Everyone is susceptible but experts agree that unborn babies, pregnant women, senior citizens
- and people with heart or respiratory problems are especially vulnerable to the dangers of CO.
- Combustion appliances should always be installed by a qualified professional. Initial carbon
- monoxide poisoning symptoms are similar to the flu with no fever and can include:
- • dizziness
- • severe headaches
- • nausea
- • vomiting
- • disorientation

If symptoms of CO poisoning are experienced, seek medical attention immediately, CO poisoning can be determined by a carboxyhaemoglobin test.

The following symptoms are related to CO poisoning and should be discussed with all members of the household:

1. Mild exposure: slight headache, nausea, vomiting, fatigue (often described as flu-like symptoms).
2. Medium exposure: severe throbbing headache, drowsiness, confusion, fast heart rate.
3. Extreme exposure: unconsciousness, convulsions, cardiorespiratory failure, death.

 The product will not trigger an alarm for other hazards such as gas leaks, fires or explosions. A CO detector is no substitute for smoke, fire, heat or other gas detectors.

-  The installation of the product should not be used as a substitute for proper installation, use and maintenance of fuel fired facilities, including appropriate ventilation and exhaust systems.
-  This detector is intended to protect persons from the acute effects of CO.
-  The detector can not provide people with special medical properties complete security. If in doubt you should consult a physician.
-  Gas appliances/equipment should be installed by trained personnel only. Keep the devices/equipment in good mechanical condition and have them checked regularly

## The danger of CO levels:

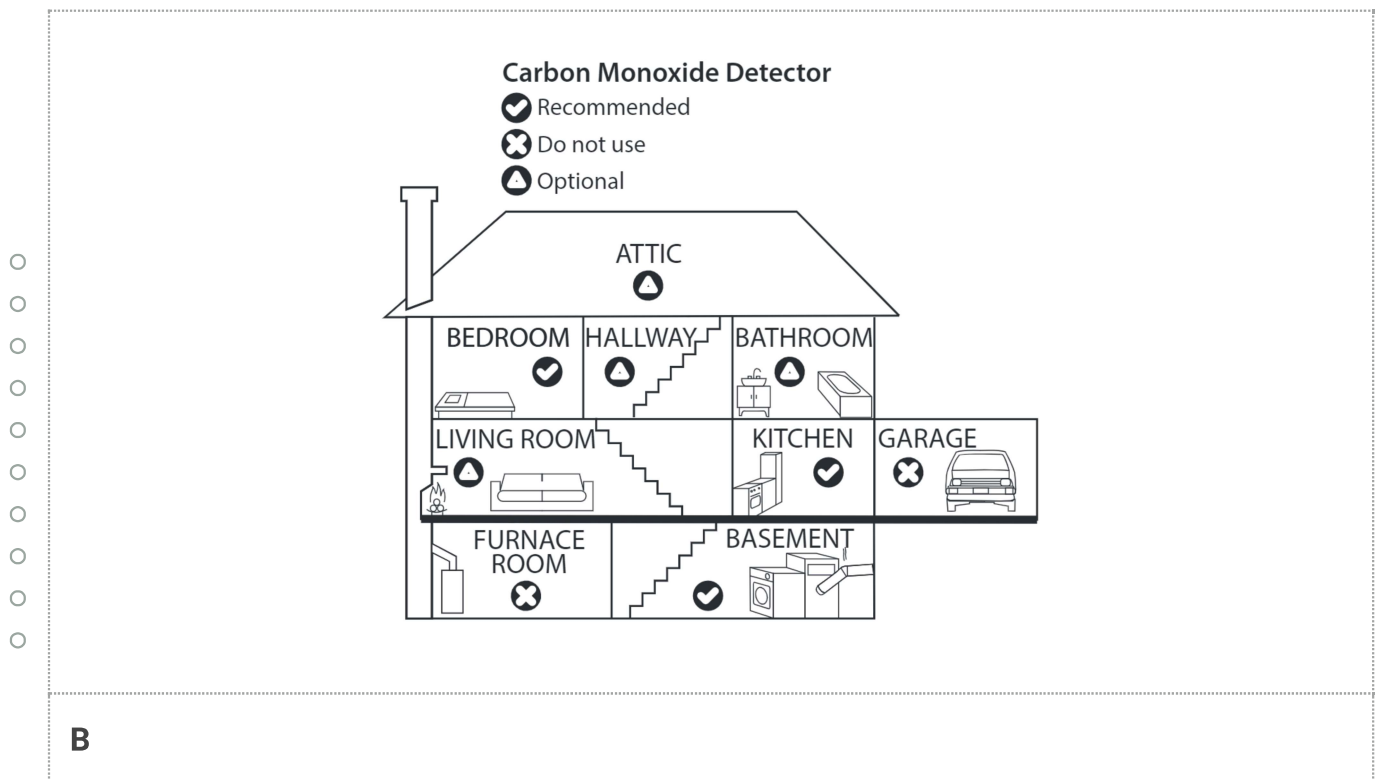
Concentration of CO in air. ( <i>ppm = parts per million</i> )	Symptoms
○ ○ ○ <b>50 ppm</b>	The maximum allowable concentration for healthy adults to be exposed to in a 8-hour period.
○ ○ ○ ○ ○ ○ ○ ○ ○ <b>200 ppm</b>	Within 2-3 hours of exposure: <ul style="list-style-type: none"> <li>- slight headache</li> <li>- fatigue</li> <li>- dizziness</li> <li>- nausea</li> </ul>
<b>400 ppm</b>	Within 1-2 hours of exposure: <ul style="list-style-type: none"> <li>- frontal headaches</li> </ul> <p><b>WARNING:</b> 3 hours of exposure will result in death.</p>
<b>800 – 999 ppm</b>	Within 45 minutes of exposure: <ul style="list-style-type: none"> <li>- dizziness</li> <li>- nausea</li> <li>- convulsions</li> <li>- unconsciousness</li> </ul> <p><b>WARNING:</b> 2-3 hours of exposure will result in death.</p>

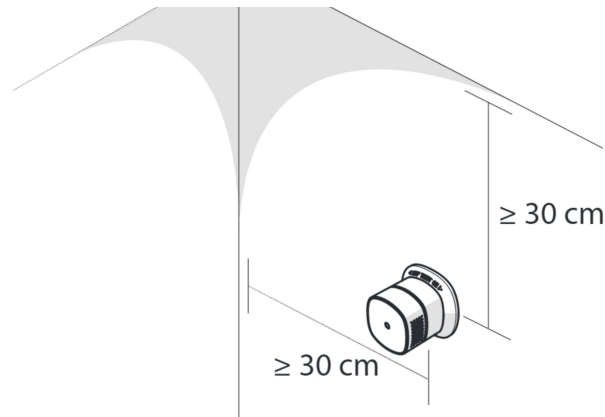
## Installation

### Check the contents of the package

Check that all parts are present and that no damage is visible on the parts. If parts are missing or damaged, contact the Nedis B.V. service desk via the website: [www.nedis.com](http://www.nedis.com).

### Choosing a location (image B + C)



**C**

For safe use, it is recommended to install the product in the following locations:

- Every sleeping area.
- Both ends of a hallway longer than 12 m.
- Every room where multiple people spend several consecutive hours.
- Install at least one product on each floor of a multi-level home.

**In areas with a source of combustion**

- At least 1 - 3 m away from the CO-source. The optimal distance is 6 m.
- At least 30 cm away from surrounding walls.
- At a central point in the room.
- Not in turbulent air (near windows, ceiling fans or air conditioners).

**In areas without a source of combustion****In sleeping areas:**

- On breathing level.
- Not in turbulent air (near windows, ceiling fans or air conditioners).
- Not behind objects (curtains or closets).

**Other areas:**

- On breathing level. Depending on the activities in the room the product should be installed on sitting or standing height.
- Not in turbulent air (near windows, ceiling fans or air conditioners).
- Not behind objects (curtains or closets).



- in temperatures above 40 °C.
- in turbulent air (near ceiling fans, air conditioners or open windows).
- within 3 meters of a high humidity source.
- within 1.5 meters of kitchen appliances.
- within 1.5 meters of a furnace or fuel burning heat sources. The optimal distance is 6 meters.
- behind objects like curtains or closets.
- in direct sunlight.

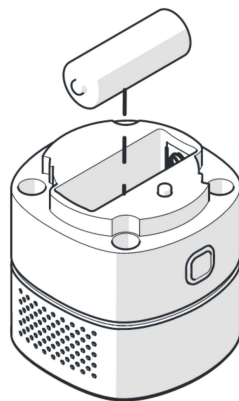
Always remove the product from the area when the following maintenance is performed to prevent damage to the product:

- scouring or stripping wooden floors.
- painting.
- wallpapering.
- using adhesives or aerosols.

- 
- The following substances and gasses can cause false alarms or permanently damage the
- detector: methane, propane, iso-butane, ethylene, ethanol, alcohol, iso-propanol, benzene,
- toluene, ethylacetate, acid, ether, hydrogen, hydrogen sulphate, hepatic gas, sulphur dioxide,
- aerosol, propellant, alcohol preparation, paint, thinner, dissolvent, bonding agents, shampoo,
- aftershave balm, perfume and certain cleaning agents.

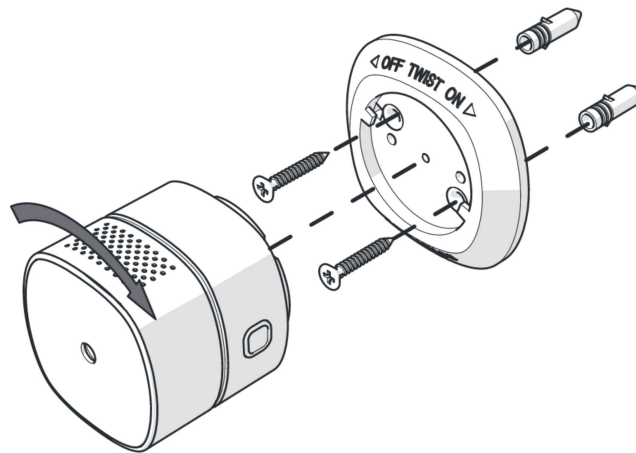
---

- Installing the batteries (image D)



2. Insert the battery **A8** into the battery compartment **A7**.
- i** Make sure that the battery polarity (+/-) matches the polarity markings inside the battery compartment.
  - i** Constant exposure to high or low humidity may reduce battery life.
  - i** Always test the product after the batteries are replaced

## Mounting the product (image E)



**E**

- i** This product is only suitable for wall mounting.

1. Place **A5** in the desired location.

Follow steps 2-4 for stone/concrete surfaces. Continue to step 5 for wood surfaces.

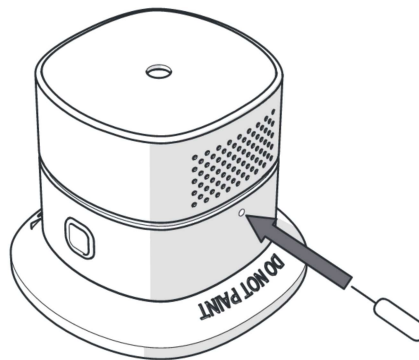
2. Use **A5** to mark the drill locations with a pencil.
3. Drill two Ø 5 mm holes.
4. Insert the plugs **A10** into the holes.
5. Fasten the mounting bracket with the screws **A9**.
6. Turn **A4** clockwise to attach it to **A5**.

Make sure the LED indicator and test/hush button **A6** is pointing downwards after mounting the product.

- i** Keep the product in a dust free area when drilling.
- i** Do not overtighten the screws, this will deform the bracket.

1. Download the Nedis Smartlife app for Android or iOS on your phone via Google Play or the Apple App Store.
2. Open the Nedis Smartlife app on your phone.
3. Create an account with your mobile phone number or your e-mail address and tap **Continue**.
- i** You will receive a verification code on your e-mail address.
4. Enter the received verification code.
5. Create a password and tap **Done**.
6. Tap **Add Home** to create a SmartLife Home.
7. Set your location, choose the rooms you want to connect with and tap **Done**.

## Adding a product to the Nedis SmartLife app (image F)



**F**

1. Make sure that the battery is installed properly.
2. Wait 100 seconds to allow the product to start up.
3. Tap + in the Nedis SmartLife app.
4. Select the product type you want to add from the list.
5. Press and hold the Pairing button **A3** with a pin (not included) for 2 seconds.
- i** **A6** starts blinking to indicate pairing mode is active.
6. Follow the instructions in the Nedis SmartLife app.
7. Alarm and battery status are shown in the Nedis SmartLife app.

## Use

### Response time of the product

<b>Concentration of CO in air. (<i>ppm = parts per million</i>)</b>	<b>Response time of the product</b>
30 ppm	120 minutes
50 ppm	60 - 90 minutes
100 ppm	10 - 90 minutes
300 ppm	3 minutes

### When the alarm goes off

When the alarm goes off:

- Immediately go outside.
- Call the local emergency services (Fire department).
- Do not go back into the building until the emergency services tell you it is safe.



Never ignore an alarm.



Do not press the LED indicator and test/hush button in case of an emergency.



Assist children and/or people with mobility limitations in event of an emergency.



The product cannot protect people with special medical conditions.



Always check your home and appliances for potential problems after an alarm.



Consult a qualified appliance technician to check your appliances if the alarm reactivates within 24 hours.



Always notify the manufacturer if a problem with an appliance is identified.



The product only measures CO in the area where it is located.



Individuals with medical conditions that may make them more sensitive to CO may consider using warning devices which provide audible and visual signals for CO

## Hush mode

In the hush mode, the alarm sound is turned off for 10 minutes.

The hush mode must be activated manually.

1. Press **A6** to activate the hush mode.

**i** Only use the hush mode when the product is in line of sight.

The product status is indicated through **A6**. An overview of the different statuses and indications is shown in the table below.

Mode	LED indicator	Sound alarm	Information
Power up and warm up mode	The LED indicator and test/hush button <b>A6</b> blinks green, red and yellow alternately.	One short beep.	Check Installation to power the product. Warm up lasts approximately 100 seconds.
Standby mode	<b>A6</b> blinks green every 30 seconds.	Off	After warm up, the product will activate standby automatically.
Test	<b>A6</b> blinks red 4 times.	four beeps.	Press and release <b>A6</b> to test the product.
Alarm	The LED indicator and test/hush button <b>A6</b> blinks red every 5 seconds.	Four beeps every 5 seconds.	Presence of Carbon Monoxide.
Low battery condition	<b>A6</b> blinks yellow twice every 30 seconds.	A beep every 30 seconds.	Change the battery immediately.

	seconds.		Contact Nedis.
Hush mode	Stays the same as mode before the hush mode was activated.	Off	Press <b>A6</b> shortly to silence an unwanted alarm.
End-of-life	<b>A6</b> blinks yellow twice every 30 seconds.	One long beep and one short beep every 30 seconds.	Replace the product immediately.

## Maintenance

- Do not use aggressive chemical cleaning agents such as ammonia, acid or acetone when cleaning the product.
- • Vacuum the product once a month to remove dust.
- • Clean the product regularly with a soft, clean, dry cloth. Avoid abrasives that can damage the surface.
- • Do not clean the inside of the product.
- • Wipe the cell or battery terminals with a clean dry cloth if they become dirty.
- **i** Do not use aerosols (air fresheners, hair spray, paint) near the product.
- **i** Do not paint the product.
- 

## Warranty

Any changes and/or modifications to the product will void the warranty. We accept no liability for damage caused by improper use of the product.

This product is designed for private use (normal domestic use) only. Nedis is not responsible for wear, defect and/or damages caused by commercial use of the product.

## Disclaimer

---

## Disposal



This symbol indicates that this product should not be thrown away with other household waste throughout the EU. To prevent possible harm to the environment or human health by uncontrolled waste disposal, you are responsible for recycling it so that it can promote the sustainable reuse of raw materials. To return your used product, you can use the regular return and collection systems or contact the store where the product was purchased. They can recycle this product for the environment.

---

## Declaration of Conformity

- We, Nedis B.V. declare as manufacturer that the product ZBDC011WT from our brand Nedis®,
- produced in China, has been tested according to all relevant CE standards and regulations and
- that all tests have been passed successfully. This includes, but is not limited to the RED
- 2014/53/EU regulation.
- 
- The complete Declaration of Conformity (and the safety datasheet if applicable) can be found
- and downloaded via:
- [nedis.com/ZBDC011WT#support](https://nedis.com/ZBDC011WT#support)