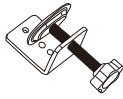
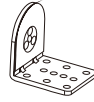


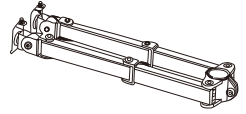
(1) Tube-a



(1) Cliper-b



(1) Cliper-c



(1) Swivel Arm-d



(2) VESA Panel-e



(3) M5X16-f



(2) M8X12-g



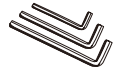
(2) Nut-h



(1) Cable Cliper-n1



(4) Cable Cliper-n2



(1) Wrench-o



(8) M4X12-q

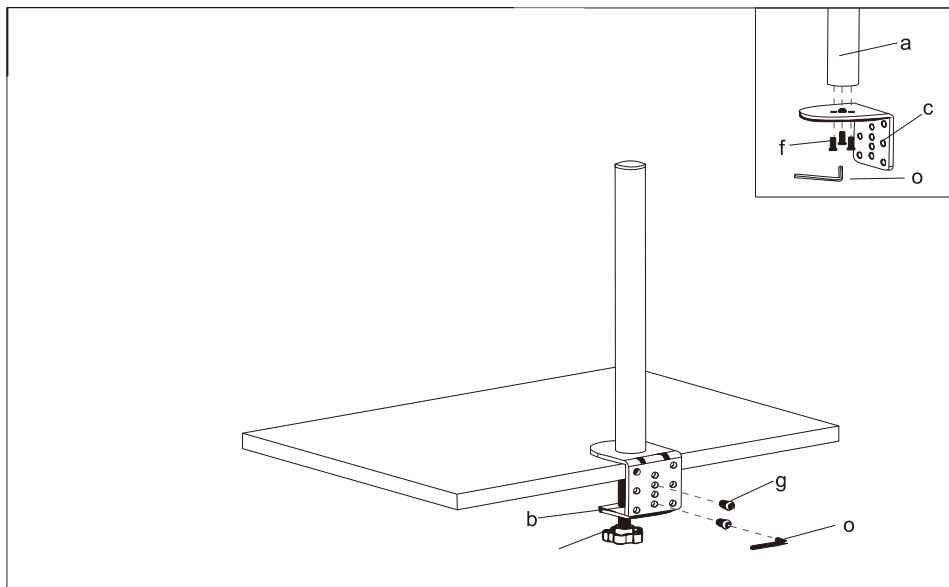


(8) M4X30-r

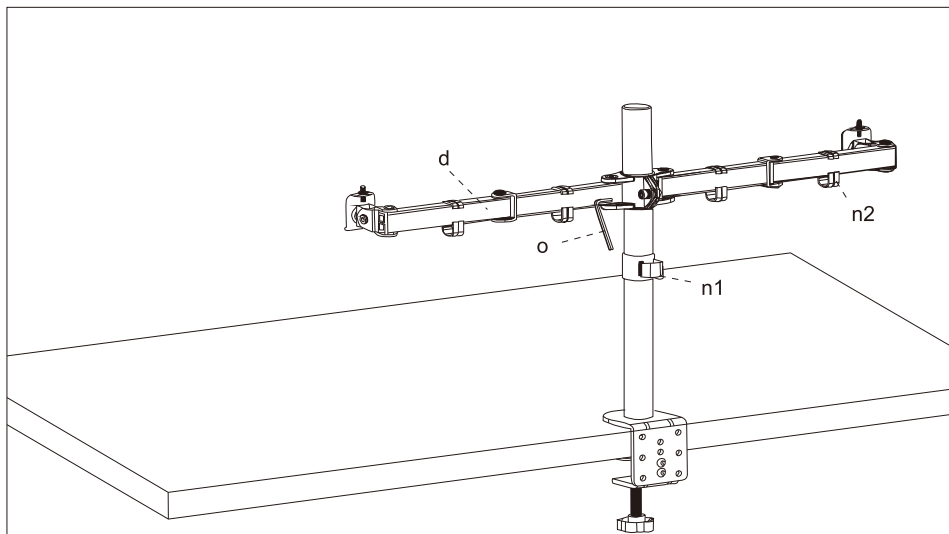


(8) M6Plastic Washer-s

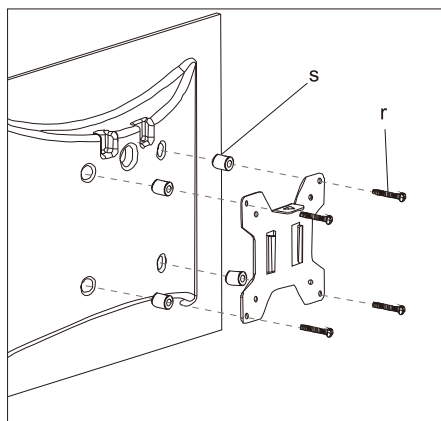
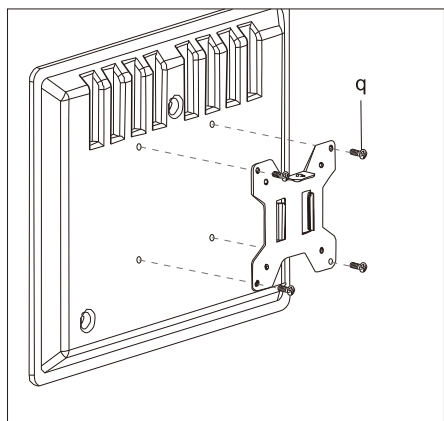
# SET1



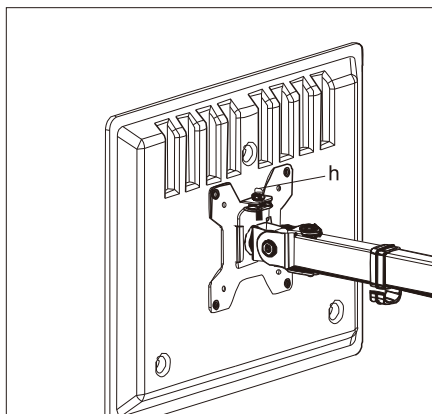
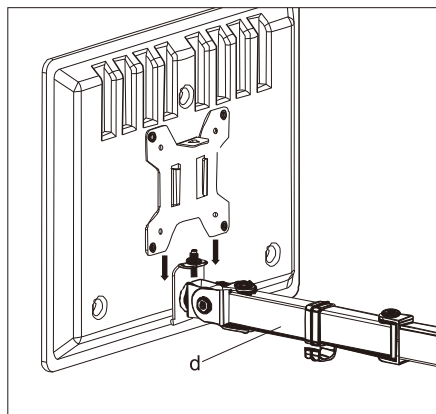
# SET2



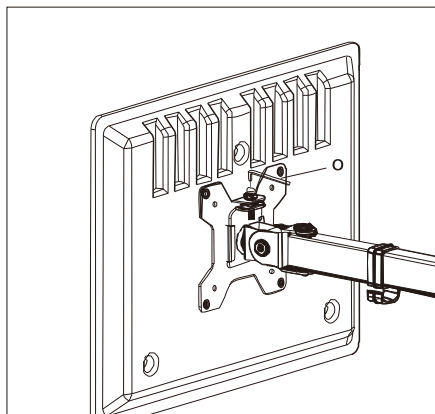
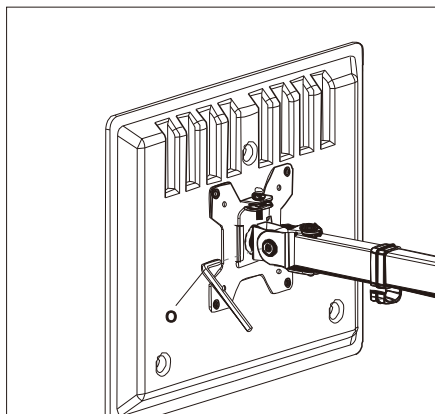
# SET3



# SET4



## SET5



## SET6

