



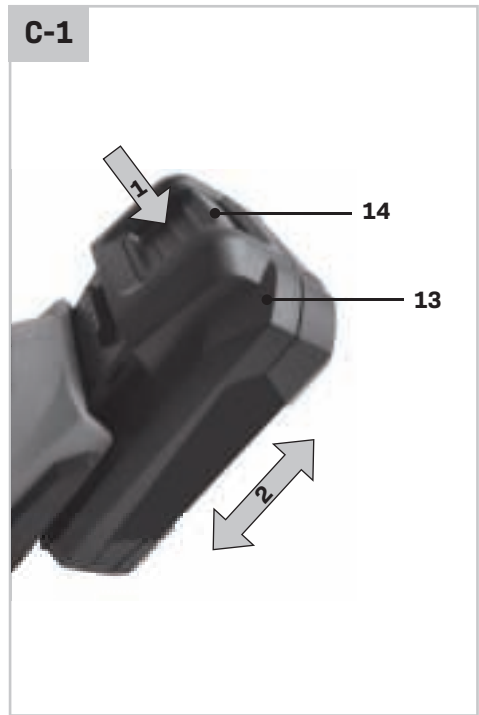
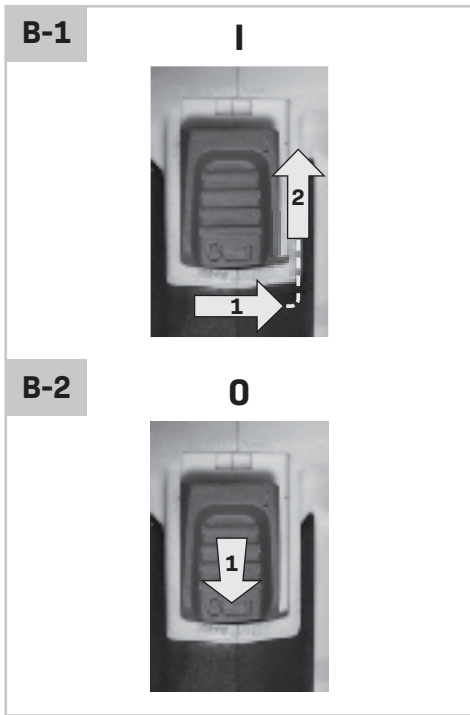
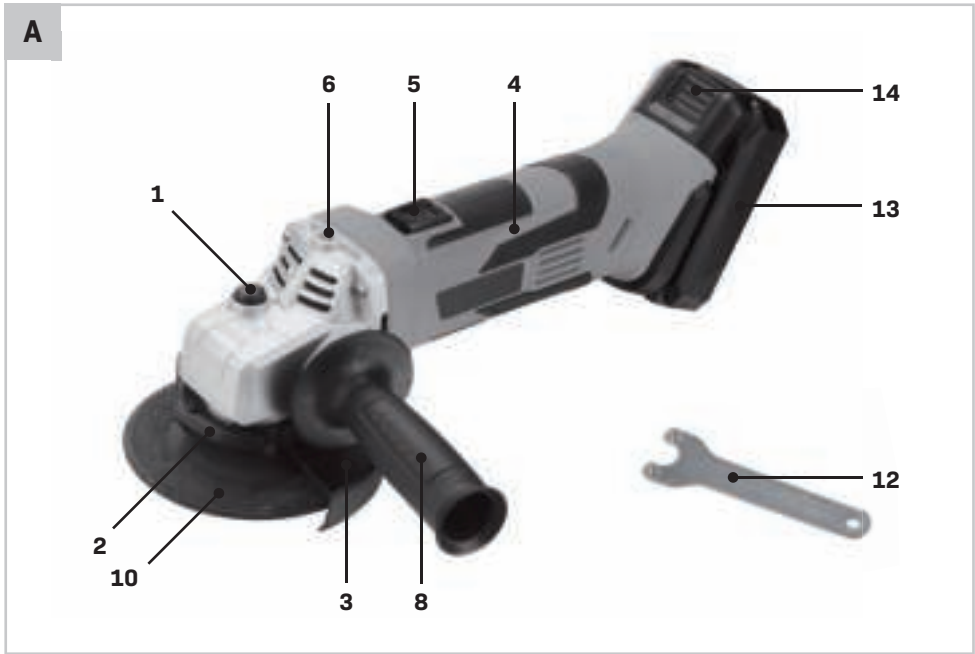
VONROC®

BUILD YOUR FUTURE

ANGLE GRINDER S2_AG501DC



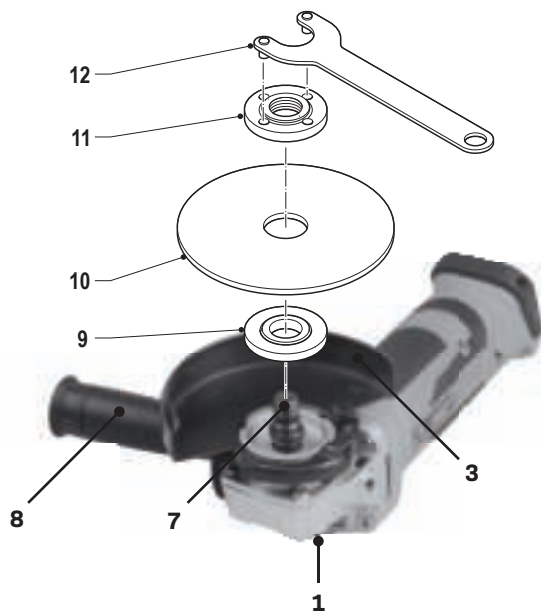
EN Original Instructions	06
DE Übersetzung Der Originalbetriebsanleitung	14
NL Vertaling van de oorspronkelijke gebruiksaanwijzing	24
FR Traduction de la notice originale	34
ES Traducción del manual original	43
IT Traduzione delle istruzioni originali	53
TR Orijinal talimatların çevirisi	62

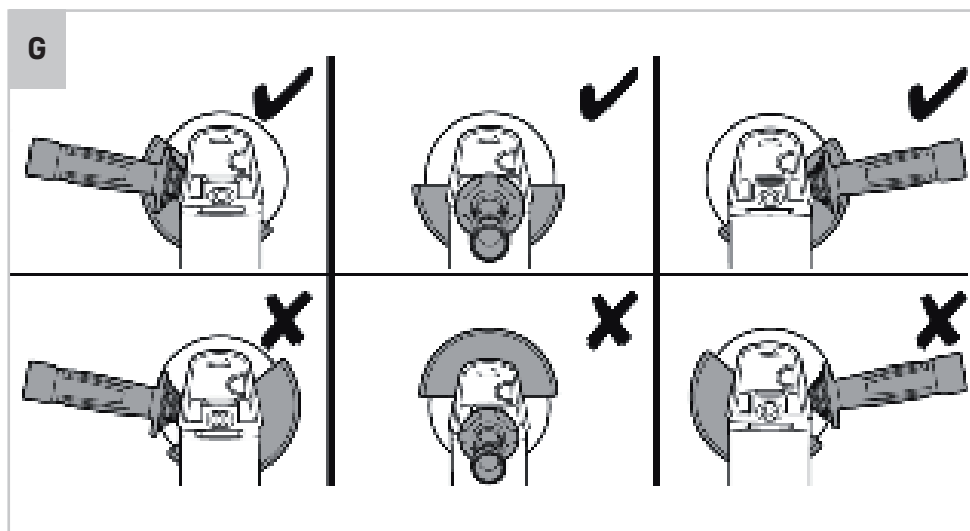
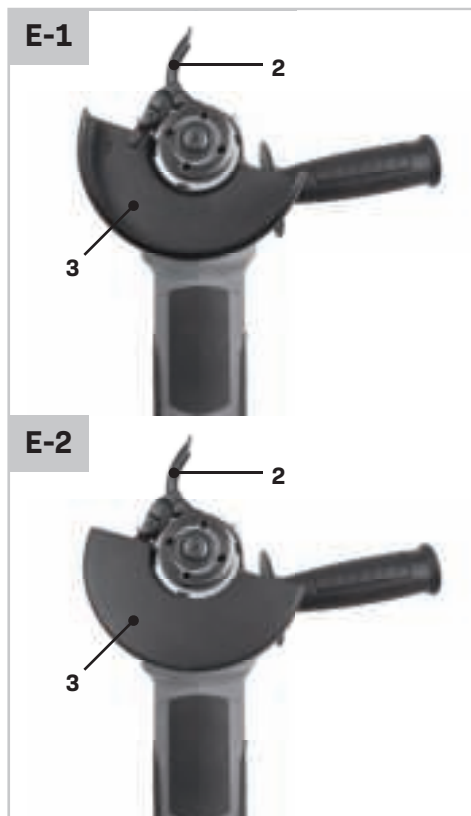


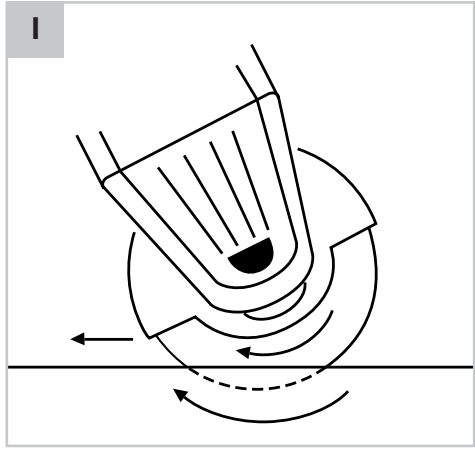
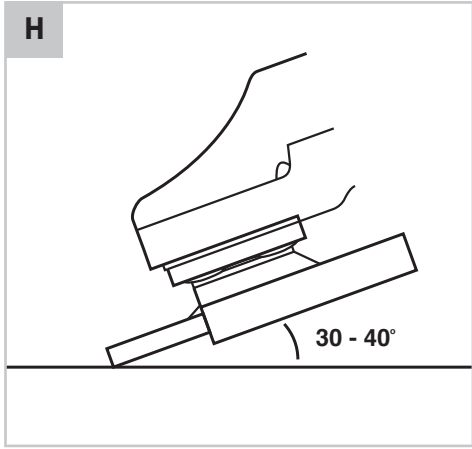
C-2



D







1. SAFETY INSTRUCTIONS

Read the enclosed safety warnings, the additional safety warnings and the instructions. Failure to follow the safety warnings and the instructions may result in electric shock, fire and/or serious injury. Save the safety warnings and the instructions for future reference.

The following symbols are used in the user manual or on the product:



Read the user manual.



Denotes risk of personal injury, loss of life or damage to the tool in case of non-observance of the instructions in this manual.



Risk of electric shock.



Max temperature 45°C.



Do not throw the battery into fire.



Do not throw the battery into water.



Wear safety goggles.



Wear hearing protection.



Wear safety gloves.



Indoor use only.

Do not use in rain.



Risk of flying objects. Keep bystanders away from the work area.



Do not press the spindle lock button while the motor is running.



Class II machine - Double insulation - You don't need any earthed plug.



Time-lag miniature fuse-link.



Separate collection for Li-ion battery.



Do not dispose of the product in unsuitable containers.



The product is in accordance with the applicable safety standards in the European directives.

GENERAL POWER TOOL SAFETY WARNINGS



WARNING! Read all safety warnings and all instructions. Failure to follow the warnings and instructions may result in electric shock, fire and/or serious injury.

Save all warnings and instructions for future reference.

The term "power tool" in the warnings refers to your mains-operated (corded) power tool or battery-operated (cordless) power tool.

1) Work area safety

- a) **Keep the work area clean and well lit.** Cluttered or dark areas invite accidents.
- b) **Do not operate power tools in explosive atmospheres, such as in the presence of flammable liquids, gases or dust.** Power tools create sparks which may ignite the dust or fumes.
- c) **Keep children and bystanders away while operating a power tool.** Distractions can cause you to lose control.

2) Electrical safety

- a) **Power tool plugs must match the outlet. Never modify the plug in any way. Do not use any adapter plugs with earthed (grounded) power tools.** Unmodified plugs and matching outlets will reduce risk of electric shock.
- b) **Avoid body contact with earthed or grounded surfaces, such as pipes, radiators, ranges and refrigerators.** There is an increased risk of electric shock if your body is earthed or grounded.
- c) **Do not expose power tools to rain or wet conditions.** Water entering a power tool will increase the risk of electric shock.
- d) **Do not abuse the cord. Never use the cord for carrying, pulling or unplugging the power tool. Keep cord away from heat, oil, sharp edges or moving parts.** Damaged or entangled cords increase the risk of electric shock.
- e) **When operating a power tool outdoors, use an extension cord suitable for outdoor use.** Use of a cord suitable for outdoor use reduces the risk of electric shock.
- f) **If operating a power tool in a damp location is unavoidable, use a residual current device**

(RCD) protected supply. Use of an RCD reduces the risk of electric shock.

3) Personal safety

a) **Stay alert, watch what you are doing and use common sense when operating a power tool. Do not use a power tool while you are tired or under the influence of drugs, alcohol or medication.**

A moment of inattention while operating power tools may result in serious personal injury.

b) **Use personal protective equipment. Always wear eye protection.** Protective equipment such as dust mask, non-skid safety shoes, hard hat, or hearing protection used for appropriate conditions will reduce personal injuries.

c) **Prevent unintentional starting. Ensure the switch is in the off-position before connecting to power source and/or battery pack, picking up or carrying the tool.** Carrying power tools with your finger on the switch or energising power tools that have the switch on invites accidents.

d) **Remove any adjusting key or wrench before turning the power tool on.** A wrench or a key left attached to a rotating part of the power tool may result in personal injury.

e) **Do not overreach. Keep proper footing and balance at all times.** This enables better control of the power tool in unexpected situations.

f) **Dress properly. Do not wear loose clothing or jewellery. Keep your hair, clothing and gloves away from moving parts.** Loose clothes, jewellery or long hair can be caught in moving parts.

g) **If devices are provided for the connection of dust extraction and collection facilities, ensure these are connected and properly used.** Use of dust collection can reduce dust related hazards.

h) **Do not let familiarity gained from frequent use of tools allow you to become complacent and ignore tool safety principles.** A careless action can cause severe injury within a fraction of a second.

4) Power tool use and care

a) **Do not force the power tool. Use the correct power tool for your application.** The correct power tool will do the job better and safer at the rate for which it was designed.

b) **Do not use the power tool if the switch does not turn it on and off.** Any power tool that cannot be controlled with the switch is dangerous and must be repaired.

c) **Disconnect the plug from the power source and/**

or the battery pack from the power tool before making any adjustments, changing accessories, or storing power tools. Such preventive safety measures reduce the risk of starting the power tool accidentally.

d) **Store idle power tools out of the reach of children and do not allow persons unfamiliar with the power tool or these instructions to operate the power tool.** Power tools are dangerous in the hands of untrained users.

e) **Maintain power tools. Check for misalignment or binding of moving parts, breakage of parts and any other condition that may affect the power tool's operation. If damaged, have the power tool repaired before use.** Many accidents are caused by poorly maintained power tools.

f) **Keep cutting tools sharp and clean.** Properly maintained cutting tools with sharp cutting edges are less likely to bind and are easier to control.

g) **Use the power tool, accessories and tool bits etc. in accordance with these instructions, taking into account the working conditions and the work to be performed.** Use of the power tool for operations different from those intended could result in a hazardous situation.

h) **Keep handles and grasping surfaces dry, clean and free from oil and grease.** Slippery handles and grasping surfaces do not allow for safe handling and control of the tool in unexpected situations.

5) Battery tool use and care

a) **Recharge only with the charger specified by the manufacturer.** A charger that is suitable for one type of battery pack may create a risk of fire when used with another battery pack.

b) **Use power tools only with specifically designated battery packs.** Use of any other battery packs may create a risk of injury and fire.

c) **When battery pack is not in use, keep it away from other metal objects, like paper clips, coins, keys, nails, screws or other small metal objects that can make a connection from one terminal to another.** Shorting the battery terminals together may cause burns or a fire.

d) **Under abusive conditions, liquid may be ejected from the battery; avoid contact. If contact accidentally occurs, flush with water. If liquid contacts eyes, additionally seek medical help.** Liquid ejected from the battery may cause irritation or burns.

- e) **Do not use a battery pack or tool that is damaged or modified.** Damaged or modified batteries may exhibit unpredictable behaviour resulting in fire, explosion or risk of injury.
 - f) **Do not expose a battery pack or tool to fire or excessive temperature.** Exposure to fire or temperature above 130 °C may cause explosion. NOTE The temperature „130 °C“ can be replaced by the temperature „265 °F“.
 - g) **Follow all charging instructions and do not charge the battery pack or tool outside the temperature range specified in the instructions.** Charging improperly or at temperatures outside the specified range may damage the battery and increase the risk of fire.
- 6) Service**
- a) **Have your power tool serviced by a qualified repair person using only identical replacement parts.** This will ensure that the safety of the power tool is maintained.
 - b) **Never service damaged battery packs.** Service of battery packs should only be performed by the manufacturer or authorized service providers.

SAFETY WARNINGS COMMON FOR GRINDING OR ABRASIVE CUTTING-OFF OPERATIONS

- a) **This power tool is intended to function as a grinder tool. Read all safety warnings, instructions, illustrations and specifications provided with this power tool.** Failure to follow all instructions listed below may result in electric shock, fire and/or serious injury.
- b) **Operations such as sanding, wire brushing, polishing are not recommended to be performed with this power tool.** Operations for which the power tool was not designed may create a hazard and cause personal injury.
- c) **Do not use accessories which are not specifically designed and recommended by the tool manufacturer.** Just because the accessory can be attached to your power tool, it does not assure safe operation.
- d) **The rated speed of the accessory must be at least equal to the maximum speed marked on the power tool.** Accessories running faster than their rated speed can break and fly apart.
- e) **The outside diameter and the thickness of your accessory must be within the capacity rating of your power tool.** Incorrectly sized accessories cannot be adequately guarded or controlled.
- f) **Threaded mounting of accessories must match the grinder spindle thread. For accessories mounted by flanges, the arbour hole of the accessory must fit the locating diameter of the flange.** Accessories that do not match the mounting hardware of the power tool will run out of balance, vibrate excessively and may cause loss of control.
- g) **Do not use a damaged accessory. Before each use inspect the accessory such as abrasive wheels for chips and cracks, backing pad for cracks, tear or excess wear, wire brush for loose or cracked wires. If power tool or accessory is dropped, inspect for damage or install an undamaged accessory. After inspecting and installing an accessory, position yourself and bystanders away from the plane of the rotating accessory and run the power tool at maximum no-load speed for one minute.** Damaged accessories will normally break apart during this test time.
- h) **Wear personal protective equipment. Depending on application, use face shield, safety goggles or safety glasses. As appropriate, wear dust mask, hearing protectors, gloves and workshop apron capable of stopping small abrasive or workpiece fragments.** The eye protection must be capable of stopping flying debris generated by various operations. The dust mask or respirator must be capable of filtering particles generated by your operation. Prolonged exposure to high intensity noise may cause hearing loss.
- i) **Keep bystanders a safe distance away from work area. Anyone entering the work area must wear personal protective equipment.** Fragments of workpiece or of a broken accessory may fly away and cause injury beyond immediate area of operation.
- j) **Hold the power tool by insulated gripping surfaces only, when performing an operation where the cutting accessory may contact hidden wiring or its own cord.** Cutting accessory contacting a “live” wire may make exposed metal parts of the power tool “live” and could give the operator an electric shock.
- k) **Position the cord clear of the spinning accessory.** If you lose control, the cord may be cut or snagged and your hand or arm may be pulled into the spinning accessory.
- l) **Never lay the power tool down until the accessory has come to a complete stop.** The spinning accessory may grab the surface and pull the power tool out of your control.

- m) **Do not run the power tool while carrying it at your side.** Accidental contact with the spinning accessory could snag your clothing, pulling the accessory into your body.
- n) **Regularly clean the power tool's air vents.** The motor's fan will draw the dust inside the housing and excessive accumulation of powdered metal may cause electrical hazards.
- o) **Do not operate the power tool near flammable materials.** Sparks could ignite these materials.
- p) **Do not use accessories that require liquid coolants.** Using water or other liquid coolants may result in electrocution or shock.

Kickback and Related Warnings

Kickback is a sudden reaction to a pinched or snagged rotating wheel, backing pad, brush or any other accessory. Pinching or snagging causes rapid stalling of the rotating accessory which in turn causes the uncontrolled power tool to be forced in the direction opposite of the accessory's rotation at the point of the binding. For example, if an abrasive wheel is snagged or pinched by the workpiece, the edge of the wheel that is entering into the pinch point can dig into the surface of the material causing the wheel to climb out or kick out. The wheel may either jump toward or away from the operator, depending on direction of the wheel's movement at the point of pinching. Abrasive wheels may also break under these conditions. Kickback is the result of power tool misuse and/or incorrect operating procedures or conditions and can be avoided by taking proper precautions as given below.

- a) **Maintain a firm grip on the power tool and position your body and arm to allow you to resist kickback forces. Always use auxiliary handle, if provided, for maximum control over kickback or torque reaction during start-up.** The operator can control torque reactions or kickback forces, if proper precautions are taken.
- b) **Never place your hand near the rotating accessory.** Accessory may kickback over your hand.
- c) **Do not position your body in the area where power tool will move if kickback occurs.** Kickback will propel the tool in direction opposite to the wheel's movement at the point of snagging.
- d) **Use special care when working corners, sharp edges etc. Avoid bouncing and snagging the accessory.** Corners, sharp edges or bouncing have a tendency to snag the rotating accessory and cause loss of control or kickback.

- e) **Do not attach a saw chain woodcarving blade or toothed saw blade.** Such blades create frequent kickback and loss of control.

SAFETY WARNINGS SPECIFIC FOR GRINDING AND ABRASIVE CUTTING-OFF OPERATIONS

- a) **Use only wheel types that are recommended for your power tool and the specific guard designed for the selected wheel.** Wheels for which the power tool was not designed cannot be adequately guarded and are unsafe.
- b) **The grinding surface of centre depressed wheels must be mounted below the plane of the guard lip.** An improperly mounted wheel that projects through the plane of the guard lip cannot be adequately protected.
- c) **The guard must be securely attached to the power tool and positioned for maximum safety, so the least amount of wheel is exposed towards the operator.** The guard helps to protect the operator from broken wheel fragments, accidental contact with wheel and sparks that could ignite clothing.
- d) **Wheels must be used only for recommended applications. For example: do not grind with the side of cut-off wheel.** Abrasive cut-off wheels are intended for peripheral grinding, side forces applied to these wheels may cause them to shatter.
- e) **Always use undamaged wheel flanges that are of correct size and shape for your selected wheel.** Proper wheel flanges support the wheel thus reducing the possibility of wheel breakage. Flanges for cut-off wheels may be different from grinding wheel flanges.
- f) **Do not use worn down wheels from larger power tools.** Wheel intended for larger power tool is not suitable for the higher speed of a smaller tool and may burst.

ADDITIONAL SAFETY WARNINGS SPECIFIC FOR ABRASIVE CUTTING-OFF OPERATIONS



Cut-off operations are only suitable with a special protection guard (not included) Fig. E2 - F2.

- a) **Do not "jam" the cut-off wheel or apply excessive pressure. Do not attempt to make an excessive depth of cut.** Overstressing the wheel increases the loading and susceptibility to twisting or binding of the wheel in the cut and the possibility of kickback or wheel breakage.

- b) **Do not position your body in line with and behind the rotating wheel.** When the wheel, at the point of operation, is moving away from your body, the possible kickback may propel the spinning wheel and the power tool directly at you.
- c) **When wheel is binding or when interrupting a cut for any reason, switch off the power tool and hold the power tool motionless until the wheel comes to a complete stop. Never attempt to remove the cut-off wheel from the cut while the wheel is in motion otherwise kickback may occur.** Investigate and take corrective action to eliminate the cause of wheel binding.
- d) **Do not restart the cutting operation in the workpiece. Let the wheel reach full speed and carefully re-enter the cut.** The wheel may bind, walk up or kickback if the power tool is restarted in the workpiece.
- e) **Support panels or any oversized workpiece to minimize the risk of wheel pinching and kickback.** Large workpieces tend to sag under their own weight. Supports must be placed under the workpiece near the line of cut and near the edge of the workpiece on both sides of the wheel.
- f) **Use extra caution when making a “pocket cut” into existing walls or other blind areas.** The protruding wheel may cut gas or water pipes, electrical wiring or objects that can cause kickback.

SAFETY WARNINGS FOR BATTERY

- a) **Do not open the battery.** Danger of short-circuiting.
- b) **Protect the battery against heat, e. g., against continuous intense sunlight, fire, water, and moisture.** Danger of explosion.
- c) **In case of damage and improper use of the battery, vapours may be emitted. Ventilate the area and seek medical help in case of complaints.** The vapours can irritate the respiratory system.
- d) **Use the battery only in conjunction with your Vonroc product.** This measure alone protects the battery against dangerous overload.
- e) **The battery can be damaged by pointed objects such as nails or screwdrivers or by force applied externally.** An internal short circuit can occur and the battery can burn, smoke, explode or overheat.

SAFETY WARNINGS FOR CHARGER

Intended use

Charge only CD801AA and CD803AA type rechargeable Battery packs with the charger. Other types of batteries may burst causing personal injury and damage.

- a) **The appliance is not to be used by persons (including children) with reduced physical, sensory or mental capabilities, or lack of experience and knowledge, unless they have been given supervision or instruction.**
- b) **Children being supervised not to play with the appliance.**
- c) **Do not recharging non-rechargeable batteries!**
- d) **During charging, batteries must be placed in the well ventilated area!**

Electrical safety



Always check that the voltage of the power supply corresponds to the voltage on the rating plate.

- Do not use the machine if the mains cable or the mains plug is damaged.
- Only use extension cables that are suitable for the power rating of the machine with a minimum thickness of 1.5 mm². If you use an extension cable reel, always fully unroll the cable.


2. MACHINE INFORMATION


Intended use

Your angle grinder has been designed for grinding masonry and steel materials without the use of water. For cutting, a special protection guard must be used (not included). Fig. F2.

TECHNICAL SPECIFICATIONS

Model No.	S2_AG501DC
Voltage	20V
No load speed	8.000/min
Grinding disc Diameter:	115 mm
Bore:	22.2 mm
Spindle thread	M14
Weight	1.55 kg
Sound pressure level L _{PA}	75.7 dB(A), K=3dB(A)
Acoustic power level L _{WA}	86.7 dB(A), K=3dB(A)
Vibration a _{h,AG}	5.642 m/s ² , K=1.5 m/s ²

Model No	CD801AA
Battery Type	Lithium-Ion
Voltage	20V 
Capacity	2.0 Ah
Recommended charger	CD802AA
Weight	0.3 kg

Model No	CD802AA
Charger input	220-240V,50Hz 0.4A
Charger output	21V  2.5A
Charging time 2Ah battery	60 minutes
Charging time 4Ah battery	120 minutes
Recommended batteries	CD801AA, CD803AA
Weight	0.36 kg



Wear hearing protection.

Only use the following batteries of the VONROC VPOWER 20V battery platform. Using any other batteries could cause serious injury or damage the tool.

CD801AA 20V, 2Ah Lithium-Ion

CD803AA 20V, 4Ah Lithium-Ion

The following charger of the can be used to charge these batteries.

CD802AA Quick charger

The batteries of the VONROC VPOWER 20V battery platform are interchangeable with all the VONROC VPOWER 20V battery platform tools.

Vibration level

The vibration emission level stated in this instruction manual has been measured in accordance with a standardized test given in EN60745; it may be used to compare one tool with another and as a preliminary assessment of exposure to vibration when using the tool for the applications mentioned.

- Using the tool for different applications, or with different or poorly maintained accessories, may significantly increase the exposure level.
- The times when the tool is switched off or when it is running but not actually doing the job, may significantly reduce the exposure level.

Protect yourself against the effects of vibration by maintaining the tool and its accessories, keeping your hands warm, and organizing your work patterns.

DESCRIPTION

The numbers in the text refer to the diagrams on pages 2 - 5.

1. Spindle lock button
2. Release lever for protection guard
3. Protection guard
4. Machine
5. On / off switch
6. Side handle connection point
7. Spindle
8. Side handle
9. Mounting flange
10. Wheel disc (not included)
11. Clamping nut
12. Spanner
13. Battery
14. Battery unlock button
15. Battery LED indicators button
16. Battery LED indicators
17. Charger
18. Charger LED indicators

3. ASSEMBLY



Before any work on the power tool, remove the battery.



The battery must be charged before first use.

Inserting the battery into the machine (Fig. C-1)



Ensure that the exterior of the battery is clean and dry before connecting to the charger or machine.

1. Insert the battery (13) into the base of the machine as shown in Fig. C-1.
2. Push the battery further forward until it clicks into place.

Removing the battery from the machine (Fig. C-1)

1. Push the battery unlock button (14)
2. Pull the battery out of the machine like shown in Fig. C-1.

Checking the battery charging status (Fig. C-2)

- To check the battery charge status, push the button (15) on battery shortly.
- The battery has 3 lights indicating the charge level, the more lights that burn, the more charge

the battery has left.

- When the lights are not burning it means the battery is empty and must be charged immediately.

Charging the battery with the charger (Fig. C-2)

1. Take the battery (13) from the machine.
2. Turn the battery (13) to upside down position and slide it onto the charger (17) as shown in Fig. C-2.
3. Push the battery until it is fully pushed into the slot.
4. Plug the charger plug into an electrical outlet and wait for a while. The LED indicators on the charger (18) will lighten up and show the charger status.

The charger has 2 LED indicators (18) which indicate the status of the charging process:

Red LED Status	Green LED status	Charger status
Off	Off	No power
Off	On	Standby mode: - No battery is inserted or, - Battery inserted but charging has finished
On	Off	Battery charging in progress

- Fully charging the 2Ah battery may take up to 60 minutes.
- Fully charging the 4Ah battery may take up to 120 minutes.

After the battery is fully charged remove the charger plug from the outlet and remove the battery from the charger.



When the machine is not being used over a longer period of time it is best to store the battery in charged condition.

Assembling the protection guard (Fig. E and F)

1. Place the machine on a table with the spindle (7) facing upwards.
2. Place the protection guard (3) over the machine head as shown in Figure E making sure the ridges on the protection guard fall into the notches of the machine head.
3. Turn the protection guard counter clockwise as shown in Figure F and clench the release lever for protection guard (2).

4. You can adjust the position of the protection guard by releasing the lever (2), adjust the guard to the desired position and clench the lever to lock it.

Mounting and removing the wheel disc (Fig. D)



Do not use the machine without the guard.



Only use sharp and undamaged wheel discs.

- Always use suitable wheel disc for this machine with diameter Ø 115 mm and a bore from 22.2 mm the thickness of the wheel disc should be 6 mm for wheel disc for grinding and 3 mm for wheel disc for cutting, the mounting wheel disc may not touch the safety guard.

Mounting

1. Place the machine on a table with the protection guard (3) facing upwards.
2. Mount the flange (9) onto the spindle (7).
3. Place the wheel disc (10) onto the spindle (7).
4. Keep the spindle lock button (1) pressed and firmly tighten the clamping nut (11) onto the spindle (7) by using the spanner (12).

Removing

1. Place the machine on a table with the protection guard (3) facing upwards.
2. Keep the spindle lock button (1) pressed and loosen the clamping nut (11) using the spanner (12).
3. Remove the wheel disc (10) from the spindle (7).
4. Keep the spindle lock button (1) pressed and firmly tighten the clamping nut (11) using the spanner (12).

Mounting the side handle (Fig. A and G)

- The side handle (8) can be screwed into one of the three side handle connection points (6).

4. OPERATION



Make sure that the work piece is properly supported or fixed.

Switching on and off (Fig. B)

- To switch on the machine in continuous mode, slide the on/off switch (5) to the right and slide

the on/off switch (5) in the direction of the grinding disc (fig. B1).

- To switch off the machine, press the lower part of the on/off switch (5) (fig. B2). Hold the machine away from the work piece when turning it on and off because the wheel disc could damage the work piece.
- Clamp the work piece firmly or use another method to ensure that it cannot move while working.
- Check the discs regularly. Worn wheel discs have a negative effect on the machine's efficiency. Change to a new wheel disc in good time.

Deburring (Fig. H)



An angle of inclination of 30° to 40° will give the best results when deburring. Move the machine back and forth using light pressure. This will prevent the work piece from discolouring or becoming too hot and will avoid making groves.



Never use abrasive cutting discs for deburring work!

Cutting (Fig. I)



For cutting, a special protection guard must be used (not included).

Maintain firm contact with the work piece to prevent vibration and do not tilt or apply pressure and when cutting. Use moderate pressure when working, appropriate to the material that is being worked on. Do not slow down wheel discs by applying sideways counter pressure. The direction in which you want to cut is important. The machine must always work against the direction of the cut; so never move the machine in the other direction! There is the risk that the machine will catch in the cut causing kickback and that you will lose control.

Hints for optimum use

- Clamp the work piece. Use a clamping device for small work pieces.
- Hold the machine with both hands.
- Switch on the machine.
- Wait until the machine has reached full speed.
- Place the wheel disc on the work piece.
- Slowly move the machine along the work piece, firmly pressing the wheel disc against the work piece.
- Do not apply too much pressure on the machine.

Let the machine do the work.

- Switch off the machine and wait for the machine to come to a complete standstill before putting the machine down.

5. MAINTENANCE



Before cleaning and maintenance, always switch off the machine and remove the battery pack from the machine.

Clean the machine casings regularly with a soft cloth, preferably after each use. Make sure that the ventilation openings are free of dust and dirt. Remove very persistent dirt using a soft cloth moistened with soapsuds. Do not use any solvents such as gasoline, alcohol, ammonia, etc. Chemicals such as these will damage the synthetic components.

ENVIRONMENT



Faulty and/or discarded electrical or electronic apparatus have to be collected at the appropriate recycling locations.

Only for EC countries

Do not dispose of power tools into domestic waste. According to the European Guideline 2012/19/EC for Waste Electrical and Electronic Equipment and its implementation into national right, power tools that are no longer usable must be collected separately and disposed of in an environmentally friendly way.

WARRANTY

VONROC products are developed to the highest quality standards and are guaranteed free of defects in both materials and workmanship for the period lawfully stipulated starting from the date of original purchase. Should the product develop any failure during this period due to defective material and/or workmanship then contact VONROC directly.

The following circumstances are excluded from this guarantee:

- Repairs and or alterations have been made or attempted to the machine by unauthorized service centers;
- Normal wear and tear;
- The tool has been abused, misused or improperly maintained;

- Non-original spare parts have been used.

This constitutes the sole warranty made by company either expressed or implied. There are no other warranties expressed or implied which extend beyond the face hereof, herein, including the implied warranties of merchantability and fitness for a particular purpose. In no event shall VONROC be liable for any incidental or consequential damages. The dealers remedies shall be limited to repair or replacement of nonconforming units or parts.

The product and the user manual are subject to change. Specifications can be changed without further notice.

1. SICHERHEITSAUWEISUNGEN

Lesen Sie die beiliegenden Sicherheitsanweisungen, die zusätzlichen Sicherheitsanweisungen sowie diese Bedienungsanleitung sorgfältig durch. Bei Nichtbeachten der Sicherheitsanweisungen und der Bedienungsanleitung kann es zu einem Stromschlag, einem Brand und/oder schweren Verletzungen kommen. Bewahren Sie die Sicherheitsanweisungen und die Bedienungsanleitung zur künftigen Bezugnahme sicher auf.

Folgende Symbole werden im Benutzerhandbuch oder auf dem Produkt verwendet:



Lesen Sie das Benutzerhandbuch.



Lebens- und Verletzungsgefahr und Gefahr von Beschädigungen am Werkzeug/Gerät bei Nichteinhaltung der Anweisungen in dieser Bedienungsanleitung.



Gefahr eines Stromschlags.



Höchsttemperatur 45°C.



Batterien/Akkus nicht in offene Feuer werfen.



Batterien/Akkus nicht ins Wasser werfen.



Tragen Sie eine Schutzbrille.
Tragen Sie einen Gehörschutz.



Tragen Sie Schutzhandschuhe.



Nur zur Benutzung in Innenräumen.



Nicht im Regen benutzen.



Gefahr von herumfliegenden Gegenständen.
Halten Sie Unbeteiligte vom Arbeitsbereich fern.



Drücken Sie nicht auf den Spindelarretierungs-knopf, während der Motor läuft.



Werkzeug/Gerät der Schutzklasse II
- schutzisoliert - kein Schutzkontaktschluss erforderlich.



Sicherungseinsatz für träge Sicherungen.



Der Li-Ionen-Akku muss separat der Wertstoffsammlung zugeführt werden.



Entsorgen Sie das Produkt nicht in hierfür nicht vorgesehenen Abfallbehältern.



Das Produkt entspricht den geltenden Sicherheitsnormen der europäischen Richtlinien.

ALLGEMEINE SICHERHEITSHINWEISE



ACHTUNG! Lesen Sie alle Sicherheitshinweise und Anweisungen. Fehler bei der Einhaltung der nachstehend aufgeführten Anweisungen können elektrischen Schlag, Brand und/oder schwere Verletzungen verursachen.

Bewahren Sie diese Anweisungen gut auf. Der nachfolgend verwendete Begriff „Elektrowerkzeug“ bezieht sich auf netzbetriebene Elektrowerkzeuge (mit Netzkabel) und auf akkubetriebene Elektrowerkzeuge (ohne Netzkabel).

1) Arbeitsplatz

- a) **Halten Sie Ihren Arbeitsbereich sauber und aufräumt.** Unordnung und unbeleuchtete Arbeitsbereiche können zu Unfällen führen.
- b) **Arbeiten Sie mit dem Gerät nicht in explosionsgefährdeter Umgebung, in der sich brennbare Flüssigkeiten, Gase oder Staub befinden.** Elektrowerkzeuge erzeugen Funken, die den Staub oder die Dämpfe entzünden können.
- c) **Halten Sie Kinder und andere Personen während der Benutzung des Elektrowerkzeugs fern.** Bei Ablenkung können Sie die Kontrolle über das Gerät verlieren.

2) Elektrische Sicherheit

- a) **Der Anschlussstecker des Gerätes muss in die Steckdose passen. Der Netzstecker darf in keener Weise verändert werden. Verwenden Sie keine Adapterstecker gemeinsam mit schutzgeerdeten Geräten. Unveränderte Netzstecker** und passende Steckdosen verringern das Risiko eines elektrischen Schlages.
- b) **Vermeiden Sie Körperkontakt mit geerdeten Oberflächen, wie von Rohren, Heizungen, Herden und Kühlschränken.** Es besteht ein erhöhtes Risiko durch elektrischen Schlag, wenn Ihr Körper geerdet ist.
- c) **Halten Sie das Gerät von Regen oder Nässe fern.**

Das Eindringen von Wasser in ein Elektrogerät erhöht das Risiko eines elektrischen Schlages.

- d) **Zweckfremden Sie das Netzkabel nicht, um das Gerät zu tragen, aufzuhängen oder um den Netzstecker aus der Steckdose zu ziehen. Halten Sie das Netzkabel fern von Hitze, Öl, scharfen Kanten oder sich bewegenden Geräteteilen.** Beschädigte oder verwickelte Netzkabel erhöhen das Risiko eines elektrischen Schlages.
- e) **Wenn Sie mit einem Elektrowerkzeug im Freien arbeiten, verwenden Sie nur Verlängerungskabel, die auch für den Außenbereich zugelassen sind.** Die Anwendung eines für den Außenbereich geeigneten Verlängerungskabels verringert das Risiko eines elektrischen Schlages
- f) **Wenn sich Arbeiten mit einem Elektrowerkzeug in feuchten Umgebungen nicht vermeiden lassen, verwenden Sie eine Stromversorgung mit einer Fehlerstrom-Schutzeinrichtung (RCD).** Durch die Verwendung einer RCD wird die Gefahr eines elektrischen Schlags verringert.

3) Sicherheit von Personen

- a) **Seien Sie aufmerksam. Achten Sie darauf, was Sie tun, und gehen Sie mit Vernunft an die Arbeit mit einem Elektrowerkzeug. Benutzen Sie das Gerät nicht, wenn Sie müde sind oder unter dem Einfluss von Drogen, Alkohol oder Medikamenten stehen.** Ein Moment der Unachtsamkeit beim Gebrauch des Gerätes kann zu ernsthaften Verletzungen führen.
- b) **Tragen Sie persönliche Schutzausrüstung und immer eine Schutzbrille.** Das Tragen persönlicher Schutzausrüstung, wie Staubmaske, rutschfeste Sicherheitsschuhe, Schutzhelm oder Gehörschutz, je nach Art und Einsatz des Elektrowerkzeuges, verringert das Risiko von Verletzungen.
- c) **Vermeiden Sie eine unbeabsichtigte Inbetriebnahme. Vergewissern Sie sich, dass der Schalter in der Position „AUS(0)“ ist, bevor Sie den Netzstecker in die Steckdose stecken.** Wenn Sie beim Tragen des Gerätes den Finger am Schalter haben oder das Gerät eingeschaltet an die Stromversorgung anschließen, kann dies zu Unfällen führen.
- d) **Entfernen Sie Einstellwerkzeuge oder Schraubenschlüssel, bevor Sie das Gerät einschalten.** Ein Werkzeug oder Schlüssel, der sich in einem drehenden Geräteteil befindet,

- kann zu Verletzungen führen.
- e) **Überschätzen Sie sich nicht.** Sorgen Sie für **einen sicheren Stand und halten Sie jederzeit das Gleichgewicht.** Dadurch können Sie das Gerät in unerwarteten Situationen besser kontrollieren.
 - f) **Tragen Sie geeignete Kleidung. Tragen Sie keine weite Kleidung oder Schmuck. Halten Sie Haare, Kleidung und Handschuhe fern von sich bewegenden Teilen.** Lockere Kleidung, Schmuck oder lange Haare können von sich bewegenden Teilen erfasst werden.
 - g) **Wenn Staubabsaug- und -auffangeinrichtungen montiert werden können, vergewissern Sie sich, dass diese angeschlossen sind und richtig verwendet werden.** Das Verwenden dieser Einrichtungen verringert Gefährdungen durch Staub.
 - h) **Achten Sie darauf, nicht durch häufigen Gebrauch von Werkzeugen nachlässig zu werden und die Prinzipien zum sicheren Umgang mit den Werkzeugen zu ignorieren.** Eine unachtsame Handlung kann innerhalb von Sekundenbruchteilen schwere Verletzungen verursachen.
- 4) Sorgfältiger Umgang und Gebrauch von Elektrowerkzeugen**
- a) Überlasten Sie das Gerät nicht. Verwenden **Sie für Ihre Arbeit das dafür bestimmte Elektrowerkzeug.** Mit dem passenden Elektrowerkzeug arbeiten Sie besser und sicherer im angegebenen Leistungsbereich.
 - b) **Benutzen Sie kein Elektrowerkzeug, dessen Schalter defekt ist.** Ein Elektrowerkzeug, das sich nicht mehr ein- oder ausschalten lässt, ist gefährlich und muss repariert werden.
 - c) **Ziehen Sie den Netzstecker aus der Steckdose, bevor Sie Geräteeinstellungen vornehmen, Zubehörteile wechseln oder das Gerät weglegen.** Diese Vorsichtsmaßnahme verhindert den unbeabsichtigten Start des Geräts.
 - d) **Bewahren Sie unbenutzte Elektrowerkzeuge außerhalb der Reichweite von Kindern auf. Lassen Sie Personen das Gerät nicht benutzen, die mit diesem nicht vertraut sind oder diese Anweisungen nicht gelesen haben.** Elektrowerkzeuge sind gefährlich, wenn Sie von unerfahrenen Personen benutzt werden.
 - e) **Pflegen Sie das Gerät mit Sorgfalt. Kontrollieren Sie, ob bewegliche Geräteteile einwandfrei funktionieren und nicht klemmen, ob Teile gebrochen oder so beschädigt sind, dass**
- die Funktion des Gerätes beeinträchtigt ist. Lassen Sie beschädigte Teile vor dem Einsatz des Gerätes reparieren.** Viele Unfälle haben ihre Ursache in schlecht gewarteten Elektrowerkzeugen.
- f) **Halten Sie Schneidwerkzeuge scharf und sauber.** Sorgfältig gepflegte Schneidwerkzeuge mit scharfen Schneidkanten verkleben sich weniger und sind leichter zu führen.
 - g) **Verwenden Sie Elektrowerkzeug, Zubehör, Einsatzwerkzeuge usw. entsprechend diesen Anweisungen und so, wie es für diesen speziellen Gerätetyp vorgeschrieben ist. Berücksichtigen Sie dabei die Arbeitsbedingungen und die auszuführende Tätigkeit.** Der Gebrauch von Elektrowerkzeugen für andere als die vorgesehenen Anwendungen kann zu gefährlichen Situationen führen.
 - h) **Halten Sie Griffe und Greifflächen immer trocken, sauber und frei von Öl und Fett.** Rutschige Griffe und Greifflächen verhindern in unerwarteten Situationen den sicheren Umgang mit dem Werkzeug und die richtige Kontrolle darüber.
- 5) Umgang mit Akkuwerkzeugen**
- a) **Zum Laden ist ausschließlich das vom Hersteller angegebene Ladegerät zu verwenden.** Ein Ladegerät, das für eine Art von Akkus geeignet ist, kann bei Verwendung mit einer anderen Art von Akku Brandgefahr verursachen.
 - b) **Elektrowerkzeuge dürfen nur mit speziell dazu bestimmten Akkus verwendet werden,** da bei der Verwendung anderer Akkus Verletzungs- und Brandgefahr entstehen kann.
 - c) **Wenn der Akku nicht in Gebrauch ist, ist er von Büroklammern, Münzen, Schlüssel, Nägel, Schrauben und anderen kleinen Metallobjekten fernzuhalten, die eine Verbindung zwischen den Polen bilden können.** Kurzschließen der Pole kann Brand oder Verbrennungen verursachen.
 - d) **Bei falschem Umgang mit dem Akku kann Flüssigkeit aus dem Akku austreten. Die Berührung dieser Flüssigkeit ist zu vermeiden. Bei Berührung den betroffenen Körperteil mit Wasser abspülen. Bei Berührung der Flüssigkeit mit den Augen muss zusätzlich ärztliche Hilfe gerufen werden. Die Akkuflüssigkeit kann Reizungen oder Verbrennungen verursachen.**
 - e) **Verwenden Sie keinesfalls Akkus und Werkzeuge, die beschädigt oder verändert wurden.** Beschädigte oder veränderte Akkus können ein

unvorhersehbares Verhalten zeigen, das zu Feuer, Explosionen oder Verletzungsgefahren führt.

- f) **Setzen Sie Akkus oder Werkzeuge keinem Feuer oder übermäßigen Temperaturen aus.** Feuer oder Temperaturen über 130 °C können zu Explosionen führen. HINWEIS: Die Temperaturangabe „130 °C“ kann durch die Temperaturangabe „265 °F“ ersetzt werden.
 - g) **Beachten Sie alle Hinweise zum Aufladen und laden Sie Akkus oder Werkzeuge nicht außerhalb der in der Anleitung angegebenen Temperaturbereiche auf.** Unsachgemäßes Aufladen oder Aufladen bei Temperaturen außerhalb des angegebenen Bereichs kann den Akku schädigen und die Brandgefahr erhöhen.
- 6) Service**
- a) **Lassen Sie Ihre Werkzeuge durch einen qualifizierten Reparaturtechniker ausschließlich mit identischen Ersatzteilen warten.** So lässt sich eine gleich bleibende Sicherheit des Elektrowerkzeugs gewährleisten.
 - b) **Beschädigte Akkus dürfen keinesfalls gewartet werden.** Die Wartung von Akkus darf nur vom Hersteller oder von Vertragswerkstätten durchgeführt werden.

GEMEINSAME SICHERHEITSHINWEISE FÜR DAS SCHLEIFEN UND ABRASIVE TRENNEN

- a) **Dieses Elektrowerkzeug ist als Schleifwerkzeug vorgesehen. Lesen Sie alle Sicherheitshinweise, Anweisungen, Abbildungen und technischen Daten, die mit diesem Elektrowerkzeug geliefert werden.** Das Nichtbeachten einer der im Folgenden aufgeführten Sicherheitsanweisungen kann zu Stromschlag, Feuer und/oder schweren Verletzungen führen.
 - b) **Die Durchführung von Arbeiten wie Schmirgeln, Drahtbürsten oder Polieren mit diesem Elektrowerkzeug wird nicht empfohlen.** Arbeiten, für die das Elektrowerkzeug nicht konzipiert ist, können unter Umständen zu Gefahrensituationen und Verletzungen führen.
 - c) **Verwenden Sie kein Zubehör, das nicht speziell vom Hersteller entwickelt und empfohlen wurde.** Auch wenn ein Zubehörteil auf das Elektrowerkzeug passt, gewährleistet dies keinen sicheren Betrieb.
 - d) **Die Nenndrehzahl des Zubehörteils muss mindestens der auf dem Elektrowerkzeug angegebenen Maximaldrehzahl entsprechen.**
- e) **Der Außendurchmesser und die Dicke Ihres Zubehörteils müssen innerhalb der Nennwerte Ihres Elektrowerkzeugs liegen.** Nicht passende Zubehörteile können nicht ordnungsgemäß gesichert oder kontrolliert werden.
 - f) **Einsatzwerkzeuge mit Gewindeeinsatz müssen genau auf das Gewinde der Schleifspindel passen. Bei Einsatzwerkzeugen, die mittels Flansch montiert werden, muss der Lochdurchmesser des Einsatzwerkzeuges zum Aufnahmedurchmesser des Flansches passen.** Einsatzwerkzeuge, die nicht genau am Elektrowerkzeug befestigt werden, drehen sich ungleichmäßig, vibrieren sehr stark und können zum Verlust der Kontrolle führen.
 - g) **Verwenden Sie keine beschädigten Zubehörteile. Prüfen Sie vor jeder Verwendung das Zubehör wie Schleifscheiben auf Absplittungen und Risse, die Stützteller auf Risse, Sprünge oder übermäßigen Verschleiß und die Drahtbürsten auf lose oder rissige Drähte. Wenn das Elektrowerkzeug oder Zubehör fallen gelassen wird, ist es auf Schäden zu prüfen oder ein unbeschädigtes Zubehörteil zu installieren. Halten Sie sich und Unbeteiligte nach der Überprüfung und Montage eines Zubehörteils von der Rotationsebene des Zubehörs fern und lassen Sie das Elektrowerkzeug eine Minute lang bei maximaler Leerlaufdrehzahl laufen.** Während dieses Prüfzeitraums brechen beschädigte Zubehörteile in der Regel auseinander.
 - h) **Tragen Sie persönliche Schutzausrüstung. Verwenden Sie je nach Anwendung einen Gesichtsschutz, eine Schutzbrille oder eine Sicherheitsbrille. Tragen Sie nach Bedarf eine Staubmaske, Gehörschutz, Handschuhe und eine Werkstattschürze zum Schutz vor kleinen Abrieb- oder Werkstückteilen.** Der Augenschutz muss die bei verschiedenen Arbeiten entstehenden fliegenden Trümmerteile abhalten können. Die Staubmaske oder das Atemschutzgerät muss bei der Arbeit entstehende Partikel filtern können. Lang anhaltende Lärmbelastung kann zu Hörverlust führen.
 - i) **Halten Sie Unbeteiligte in sicherem Abstand zum Arbeitsbereich. Personen, die den Arbeitsbereich betreten, müssen persönliche Schutzkleidung tragen.** Werkstücke oder Teile von beschädigtem Zubehör können sich unter Umständen

lösen und auch außerhalb des unmittelbaren Betriebsbereichs zu Verletzungen führen.

- j) **Halten Sie das Elektrowerkzeug ausschließlich an den isolierten Griffflächen, wenn Sie Arbeiten durchführen, bei denen das Schneidwerkzeug in Kontakt mit verborgenen Elektroleitungen oder dem eigenen Netzkabel kommen** Bei Kontakt des Schneidwerkzeugs mit einem stromführenden Kabel wird der Strom an die Metallteile des Elektrowerkzeugs und dadurch an den Bediener weitergeleitet, und der Bediener erleidet einen Stromschlag.
- k) **Halten Sie das Kabel von drehenden Zubehöerteilen fern.** Wenn Sie die Kontrolle über das Gerät verlieren, kann das Netzkabel zerschnitten werden oder sich verheddern, und Ihre Hand oder Ihr Arm können in drehende Zubehörteile gezogen werden.
- l) **Legen Sie das Elektrowerkzeug niemals ab, bevor das Zubehör vollständig zum Stillstand gekommen ist.** Die drehenden Zubehörteile können auf der Oberfläche festhängen und das Elektrowerkzeug aus Ihrer Hand reißen.
- m) **Verwenden Sie das Gerät nicht, während Sie es an Ihrer Seite tragen.** Durch unbeabsichtigten Kontakt mit drehenden Zubehörteilen könnten Ihre Kleidung eingeklemmt und das Zubehör zu Ihrem Körper hin gezogen werden.
- n) **Reinigen Sie die Lüftungsschlitze des Elektrowerkzeugs regelmäßig.** Der Lüfter des Motors zieht Staub ins Gehäuse hinein, und die übermäßige Ansammlung von Metallstaub kann zu elektrischen Gefahren führen.
- o) **Arbeiten Sie mit dem Werkzeug nicht in der Nähe von entzündlichen Stoffen.** Diese Stoffe könnten sich durch Funkenbildung entzünden.
- p) **Verwenden Sie kein Zubehör, bei dem flüssige Kühlmittel erforderlich sind.** Die Verwendung von Wasser oder anderen flüssigen Kühlmitteln kann zu Stromschlägen führen.

Warnungen in Verbindung mit Rückschlag

Ein Rückschlag ist eine plötzliche Reaktion darauf, wenn eine drehende Scheibe, ein Stützteller, eine Bürste oder ein anderes Zubehörteil eingeklemmt wird oder sich verheddert. Das Einklemmen oder Verheddern führt zu einem plötzlichen Anhalten des drehenden Zubehörs, was wiederum dazu führt, dass das Elektrowerkzeug sich unkontrolliert entgegen der Drehrichtung zum Zeitpunkt des Festklemmens bewegt. Wenn beispielsweise

eine Schleifscheibe im Werkstück eingeklemmt wird oder sich verheddert, kann sich die Kante der Scheibe, die in die eingeklemmte Stelle eindringt, in die Oberfläche des Materials graben, wodurch die Schleifscheibe aus dem Schnitt „herausklettern“. Die Scheibe kann dann entweder auf den Bediener zu oder von diesem weg schnellen, je nach Drehrichtung der Scheibe zum Zeitpunkt des Festklemmens. Auch ein Brechen der Schleifscheibe ist unter diesen Umständen möglich. Ein Rückschlag ist das Ergebnis einer unsachgemäßen Bedienung des Elektrowerkzeugs und/oder von nicht ordnungsgemäßen Bedienungsabläufen oder -bedingungen und lässt sich durch Ergreifen der richtigen Vorsichtsmaßnahmen wie im Folgenden angeben vermeiden.

- a) **Halten Sie das Elektrowerkzeug gut fest und halten Sie Ihren Körper und Arm so, dass Sie Rückschlagkräften widerstehen können. Verwenden Sie immer einen Zusatzhandgriff, falls vorhanden, um bei einem Rückschlag oder bei einem Gegendrehmoment während des Startens maximale Kontrolle über das Elektrowerkzeug zu behalten.** Mit den richtigen Vorsichtsmaßnahmen kann der Bediener auch bei einem Rückschlag oder bei einem Gegendrehmoment während des Startens die Kontrolle über das Gerät behalten.
- b) **Halten Sie unbedingt Ihre Hände von den drehenden Zubehörteilen fern.** Gefahr eines Rückschlags über Ihre Hand.
- c) **Halten Sie Ihren Körper aus dem Bereich fern, in den sich das Elektrowerkzeug bei einem Rückschlag bewegt.** Bei einem Rückschlag wird das Elektrowerkzeug in die entgegengesetzte Richtung zur Scheibenbewegung zum Schleifzeitpunkt getrieben.
- d) **Gehen Sie bei der Bearbeitung von Ecken, scharfen Kanten usw. mit besonderer Vorsicht vor. Vermeiden Sie Sprünge und das Einklemmen des Zubehörs.** Bei Ecken, scharfen Kanten oder Sprüngen kann das drehende Zubehör leicht fest klemmen, was zu einem Verlust der Kontrolle oder einem Rückschlag führen kann.
- e) **Verwenden Sie keine Holzklingsen für Sägeketten oder Sägeblätter.** Solche Klingsen führen zu häufigen Rückschlägen und Verlusten der Kontrolle über das Elektrowerkzeug.

BESONDERE SICHERHEITSHINWEISE FÜR DAS SCHLEIFEN UND ABRASIVE TRENNEN

- a) **Verwenden Sie nur die für Ihr Elektrowerkzeug empfohlenen Schleifscheiben sowie die für die ausgewählten Schleifscheiben speziell konzipierten Schutzvorrichtungen.** Scheiben, für die das Elektrowerkzeug nicht vorgesehen ist, können nicht ordnungsgemäß gesichert werden und sind daher unsicher.
- b) **Gekröpfte Schleifscheiben müssen so montiert werden, dass ihre Schleiffläche nicht über der Ebene des Schutzhaubenrandes hervorsteht.** Eine unsachgemäß montierte Schleifscheibe, die über die Ebene des Schutzhaubenrandes hinausragt, kann nicht ausreichend abgeschirmt werde.
- c) **Die Schutzvorrichtung muss sicher am Elektrowerkzeug befestigt und für maximale Sicherheit so positioniert werden, dass nur der geringste Teil der Scheibe dem Bediener zugänglich ist.** Die Schutzvorrichtung dient zum Schutz des Bedieners vor abgebrochenen Scheibenstücken, vor unbeabsichtigtem Kontakt mit der Scheibe und vor Funken, die zu einem Entzünden der Kleidung führen könnten.
- d) **Die Schleifscheiben dürfen nur für die empfohlenen Anwendungszwecke verwendet werden. Beispiel: Führen Sie keine Schleifarbeiten mit der Seite einer Trennscheibe durch.** Abrasive Trennscheiben sind für das Umfangsschleifen vorgesehen und können durch aufgebrauchte Seitenkräfte brechen.
- e) **Verwenden Sie immer unbeschädigte Scheibenflansche in der richtigen Größe und Form für die gewählte Scheibe.** Scheibenflansche in der richtigen Größe stützen die Scheibe und verringern so die Bruchgefahr. Flansche für Trennscheiben können sich von Flanschen für Schleifscheiben unterscheiden.
- f) **Verwenden Sie keine abgenutzten Scheiben aus größeren Elektrowerkzeugen.** Für größere Elektrowerkzeuge konstruierte Scheiben sind nicht für die höheren Drehzahlen eines kleineren Werkzeugs geeignet und können zerspringen.

ZUSÄTZLICHE BESONDERE SICHERHEITSHINWEISE FÜR DAS ABRASIVE TRENNEN



Trennarbeiten dürfen nur mit einer besonderen Schutzvorrichtung durchgeführt werden (nicht inbegriffen) Abb. E2 - F2.

- a) **Blockieren Sie die Trennscheibe nicht und üben Sie keinen übermäßigen Druck aus. Versu-**

chen sie nicht, eine übermäßige Schnitttiefe zu erreichen. Eine Überlastung der Scheiben führt zu einer höheren Last und einer höheren Anfälligkeit für das Verdrehen und Festsetzen der Scheibe im Schnitt sowie zur Gefahr eines Rückschlags oder Bruchgefahr.

- b) **Bringen Sie Ihren Körper nicht hinter oder neben die drehende Scheibe.** Wenn die Scheibe sich während des Arbeitens von Ihrem Körper entfernt, kann ein möglicher Rückschlag die drehende Scheibe und das Elektrowerkzeug direkt in Ihre Richtung treiben.
- c) **Wenn die Scheibe festsitzt oder das Trennen aus einem beliebigen Grund unterbrochen werden muss, schalten Sie das Elektrowerkzeug aus und halten Sie es bewegungslos, bis die Scheibe vollständig zum Stillstand gekommen ist. Versuchen Sie niemals, die Trennscheibe aus dem Werkstück zu entfernen, während sie noch in Bewegung ist. Dies könnte zu einem Rückschlag führen.** Untersuchen Sie die Ursache des Festsitzens und treffen Sie entsprechende Gegenmaßnahmen.
- d) **Nehmen Sie den Schneidvorgang außerhalb des Werkstücks wieder auf. Lassen Sie die Scheibe erst die volle Drehzahl erreichen und schneiden Sie dann vorsichtig weiter.** Die Scheibe kann festsitzen, hinaufsteigen oder einen Rückschlag verursachen, wenn der Schneidvorgang im Werkstück wieder aufgenommen wird.
- e) **Stützen Sie Platten oder übergroße Werkstücke ab, um die Gefahr eines Festklemmens der Scheibe oder eines Rückschlags zu verringern.** Große Werkstücke sacken häufig durch ihr Eigengewicht ein. Die Stützen müssen auf beiden Seiten der Scheibe in der Nähe der Schnittlinie und in der Nähe der Kante unter dem Werkstück platziert werden.
- f) **Seien Sie bei kleinformatigen Schnitten in bestehenden Wänden oder anderen Blindflächen besonders vorsichtig.** Die herausragende Scheibe kann Gas- oder Wasserleitungen, elektrische Kabel oder Gegenstände anschneiden, die zu einem Rückschlag führen können.

SICHERHEITSHINWEISE FÜR AKKU

- a) **Öffnen Sie den Akku nicht.** Es besteht die Gefahr eines Kurzschlusses.
- b) **Schützen Sie den Akku vor Hitze, z. B. auch vor dauernder Sonneneinstrahlung, Feuer, Wasser und Feuchtigkeit.** Es besteht Explosionsgefahr.

- c) **Bei Beschädigung und unsachgemäßem Gebrauch des Akkus können Dämpfe austreten. Führen Sie Frischluft zu und suchen Sie bei Beschwerden einen Arzt auf.** Die Dämpfe können die Atemwege reizen.
- d) **Verwenden Sie den Akku nur in Verbindung mit Ihrem Vonroc Produkt.** Nur so wird der Akku vor gefährlicher Überlastung geschützt.
- e) **Durch spitze Gegenstände wie z. B. Nagel oder Schrau benzieher oder durch äußere Krafteinwirkung kann der Akku beschädigt werden.** Es kann zu einem internen Kurzschluss kommen und der Akku brennen, rauchen, explodieren oder überhitzen.

SICHERHEITSHINWEISE FÜR DAS LADEGERÄT Verwendungszweck

Nur für das Laden von wiederaufladbaren Li-Ionen-Akkus des Typs CD801AA und CD803AA geeignet. Andere Arten von Akkus können platzen und zu Verletzungen und Schäden führen.

- a) **Das Gerät darf nicht von Personen (einschließlich Kindern) mit eingeschränkten körperlichen, sensorischen bzw. geistigen Fähigkeiten, mangelnder Erfahrung bzw. fehlendem Wissen verwendet werden, wenn diese nicht beaufsichtigt werden oder eine Einweisung erhalten haben.**
- b) **Kinder sollten beaufsichtigt werden, um sicherzustellen, dass sie nicht mit dem Gerät spielen.**
- c) **Nicht wiederaufladbare Batterien dürfen nicht aufgeladen werden!**
- d) **Während des Ladens müssen sich die Akkus in einem gut belüfteten Raum befinden!**

Elektrische Sicherheit



Achten Sie stets darauf, dass die Spannung der Stromversorgung mit der Spannung auf dem Typenschild übereinstimmt.

- Verwenden Sie die Maschine nicht, wenn das Netzkabel oder der Netzstecker beschädigt ist.
- Verwenden Sie nur Verlängerungskabel, die für die Leistungsaufnahme der Maschine geeignet sind und eine Mindestaderstärke von 1,5 mm² haben. Falls Sie eine Kabeltrommel verwenden, rollen Sie das Kabel immer vollständig ab.

2. ANGABEN ZUM WERKZEUG

Verwendungszweck

Ihr Winkelschleifer wurde zum Schleifen von Mauerwerk und Stahl ohne Verwendung von Wasser konstruiert. Zum Trennen muss eine besondere Schutzvorrichtung verwendet werden (nicht inbegriffen). Abb. F2.

TECHNISCHE DATEN

Modellnummer	S2_AG501DC
Spannung	20V
Leerlaufgeschwindigkeit	8.000/min
Schleifscheibe	
Durchmesser:	115 mm
Bohrung:	22,2 mm
Spindelgewinde	M14
Gewicht	1,55 kg
Schalldruckpegel L_{PA}	75,7 dB(A), K=3dB(A)
Schalleistungspegel L_{WA}	86,7 dB(A), K=3dB(A)
Vibrationen $a_{h,AG}$	5,642 m/s ² , K=1,5 m/s ²

Modellnummer	CD801AA
Akkutyp	Lithium-Ion
Spannung	20V
Kapazität	2,0 Ah
Empfohlene Ladegeräte	CD802AA
Gewicht	0,3 kg

Modellnummer	CD802AA
Ladegerät Eingang	220-240V, 50Hz 0,4A
Ladegerät Ausgang	21V 2,5A
Ladezeit 2Ah Akku	60 Minuten
Ladezeit 4Ah Akku	120 Minuten
Empfohlene Akkus	CD801AA, CD803AA
Gewicht	0,36 kg



Tragen Sie einen Gehörschutz.

Verwenden Sie nur folgende Akkus der VONROC VPOWER 20V-Akku-Plattform. Die Verwendung anderer Akkus kann zu schweren Verletzungen oder einer Beschädigung des Werkzeugs führen.

CD801AA	20V, 2Ah Lithium-Ion
CD803AA	20V, 4Ah Lithium-Ion

Folgendes Ladegerät ist zum Aufladen dieser Akkus vorgesehen.

CD802AA	Schnellladegerät
---------	------------------

Die Akkus der VONROC VPOWER 20V-Akku-Plattform sind unter allen Werkzeugen der VONROC VPOWER 20V-Akku-Plattform austauschbar.

Vibrationsintensität

Die in dieser Bedienungsanleitung angegebene Vibrationsintensität wurde mit einem standardisierten Test gemäß EN60745 gemessen. Anhand dieser Größe können Werkzeuge miteinander verglichen werden. Außerdem eignet sich diese Größe für eine erste Beurteilung der Vibrationsbelastung bei Verwendung des Werkzeugs für die angegebenen Anwendungszwecke.

- Bei Verwendung des Werkzeugs für andere Anwendungen oder mit anderem oder unzureichend gewartetem Zubehör kann sich die Vibrationsbelastung erheblich erhöhen.
- Wenn das Werkzeug ausgeschaltet ist, oder wenn es eingeschaltet ist, jedoch nicht genutzt wird, kann sich die Vibrationsbelastung erheblich verringern.

Schützen Sie sich vor den Auswirkungen der Vibration durch Wartung des Werkzeugs und des Zubehörs, halten Sie Ihre Hände warm, und organisieren Sie Ihren Arbeitsablauf.

BESCHREIBUNG

Die Buchstaben und Ziffern im folgenden Text verweisen auf die Abbildungen auf den Seiten 2 bis 5.

1. Spindelarretierungsknopf
2. Lösehebel für Schutzvorrichtung
3. Schutzvorrichtung
4. Werkzeug
5. Ein-/Aus-Schalter
6. Seitengriff-Verbindungspunkt
7. Spindel
8. Seitengriff
9. Montageflansch
10. Radschleifscheibe
11. Spannmutter
12. Schraubenschlüssel
13. Akku (nicht enthalten)

14. Akku-Freigabetaste
15. Akku LED-Anzeigen-Taste
16. LED-Anzeige Akku
17. Ladegerät
18. LED-Anzeige Ladegerät

3. MONTAGE



Nehmen Sie vor allen Arbeiten am Elektrowerkzeug den Akku heraus.



Vor der ersten Verwendung muss der Akku aufgeladen werden.

Einsetzen des Akkus in das Werkzeug (Abb. C-1)



Überprüfen Sie, ob die Außenflächen des Akkus sauber und trocken sind, bevor Sie den Akku an das Ladegerät anschließen oder in das Werkzeug einsetzen.

1. Setzen Sie den Akku (13) in das Gerät ein.
2. Drücken Sie den Akku soweit nach vorn, bis der Akku hörbar einrastet.

Entnehmen des Akkus aus dem Werkzeug (Abb. C-1)

1. Drücken Sie die Akku-Freigabetast (14)
2. Ziehen Sie den Akku aus dem Werkzeug, wie in Abb. C-1 dargestellt.

Überprüfen des Akkuladezustands (Abb. C-2)

- Drücken Sie zum Überprüfen des Ladezustands kurz die Taste (15) auf dem Akku.
- Der Akku ist mit 3 Leuchten zur Anzeige des Ladezustands ausgestattet. Je mehr davon leuchten, desto höher der Ladezustand.
- Wenn keine der Leuchten an ist, bedeutet das, dass der Akku leer ist und sofort aufgeladen werden muss.

Laden des Akkus über das Ladegerät (Abb. C-2)

1. Entnehmen Sie den Akku (13) aus dem Werkzeug.
2. Drehen Sie den Akku (13) mit der Unterseite nach oben, und schieben Sie ihn in das Ladegerät (17), wie in Abb. C-2 dargestellt.
3. Drücken Sie den Akku vollständig in die Aufnahme.
4. Stecken Sie den Netzstecker des Ladegeräts in eine Steckdose, und warten Sie einen Moment. Die LED-Anzeigen am Ladegerät (18) leuchten zur Anzeige des Ladezustands auf.

Das Ladegerät verfügt über 2 LED-Anzeige (18), die den Ladevorgang anzeigt:

Rote LED	Grüne LED	Status Ladegerät
Aus	Aus	Keine Stromversorgung
Aus	An	Standby-Modus: - Kein Akku eingelegt oder - Akku eingelegt, aber
An	Aus	Akku wird geladen

- Das vollständige Laden des 2Ah-Akkus kann bis zu 60 Minuten dauern.
- Das vollständige Laden des 4Ah-Akkus kann bis zu 120 Minuten dauern.

Ziehen Sie nach dem vollständigen Laden des Akkus den Stecker des Ladegeräts aus der Netzsteckdose, und entnehmen Sie den Akku aus dem Ladegerät.



Wenn das Werkzeug für einen längeren Zeitraum nicht verwendet wird, sollte das Werkzeug möglichst mit einem voll aufgeladenen Akku aufbewahrt werden.

Montage der Schutzvorrichtung (Abb. E und F)

1. Legen Sie das Gerät mit der Spindel (7) nach obenweisend auf einen Tisch.
2. Positionieren Sie die Schutzvorrichtung (3) wie in Abbildung C dargestellt über den oberen Teil des Geräts. Stellen Sie dabei sicher, dass die Rillen der Schutzvorrichtung in die Einkerbungen des Geräts passen.
3. Drehen Sie die Schutzvorrichtung wie in Abbildung D dargestellt gegen den Uhrzeigersinn, und haken Sie den Lösehebel für die Schutzvorrichtung (2) ein.
4. Sie können die Position der Schutzvorrichtung durch Lösen des Hebels (2), Einstellen der Schutzvorrichtung auf die gewünschte Position und Einhaken des Hebels zum Verriegeln anpassen.

Einbau und Ausbau der Radschleifscheibe (Abb. D)



Verwenden Sie die Maschine nicht ohne Schutzvorrichtung.



Verwenden Sie ausschließlich scharfe und unbeschädigte Radschleifscheiben.

- Verwenden Sie stets die passenden Scheiben für dieses Gerät mit einem Durchmesser von \varnothing 115 mm sowie einer Bohrung von 22,2 mm. Die Scheibendicke sollte bei einer Schleifscheibe 6 mm betragen und bei einer Trennscheibe 3 mm. Nach dem Einbau darf die Scheibe nicht die Schutzvorrichtung berühren.

Einbau

1. Legen Sie das Gerät mit der Schutzvorrichtung (3) nach obenweisend auf einen Tisch.
2. Bringen Sie den Flansch (9) auf der Spindel (7) an.
3. Platzieren Sie die Radschleifscheibe (10) auf der Spindel (7).
4. Halten Sie den Spindelarretierungsknopf (1) gedrückt, und ziehen Sie die Spannmutter (11) mit dem Schraubenschlüssel (12) fest auf der Spindel (7) an.

Ausbau

1. Legen Sie das Gerät mit der Schutzvorrichtung (3) nach obenweisend auf einen Tisch.
2. Halten Sie den Spindelarretierungsknopf (1) gedrückt, und lösen Sie die Spannmutter (11) mit dem Schraubenschlüssel (12).
3. Entfernen Sie die Radschleifscheibe (10) von der Spindel (7).
4. Halten Sie den Spindelarretierungsknopf (1) gedrückt und ziehen Sie die Spannmutter (11) mit dem Schraubenschlüssel (12) fest.

Einbau des Seitengriffs (Abb. A und B)

- Der Seitengriff (8) kann in einen der drei Seitengriff-Verbindungsstellen (6) eingeschraubt werden.

4. BETRIEB



Beachten Sie, dass das Werkstück gut gesichert oder befestigt ist.

Switching on and off (Fig. B)

- Um die Maschine in den Dauerbetrieb zu schalten, schieben Sie die Ein-/Aus-Schalter (5) nach rechts und schieben den Ein-/Aus-Schalter (5) in Richtung Schleifscheibe (Abb. B1).
- Um die Maschine auszuschalten, drücken Sie auf den unteren Teil des Ein-/Aus-Schalters (5) (Abb. B2). Halten Sie das Gerät beim Ein- und Ausschalten vom Werkstück fern, da die Radschleifscheibe

- andernfalls das Werkstück beschädigen könnte.
- Spannen Sie das Werkstück ein, oder sichern Sie es bei der Arbeit anderweitig.
- Überprüfen Sie regelmäßig die Scheiben. Abgenutzte Schleifscheiben können die Leistung des Geräts beeinträchtigen. Tauschen Sie die Schleifscheiben rechtzeitig gegen neue aus.

Entgraten (Abb. H)



Beim Entgraten lassen sich mit einem Neigungswinkel von 30° bis 40° die besten Ergebnisse erzielen. Bewegen Sie das Gerät unter leichtem Druck vor und zurück. Dies verhindert ein Verfärben oder Überhitzen des Werkstücks sowie die Bildung von Riefen.



Verwenden Sie zum Entgraten niemals abrasive Schleifscheiben!

Trennen (Abb. I)



Zum Trennen muss eine besondere Schutzvorrichtung verwendet werden (nicht inbegriffen).

Halten Sie festen Kontakt zum Werkstück, um Vibrationen zu vermeiden, neigen Sie das Gerät beim Trennen nicht, und üben Sie keinen übermäßigen Druck aus. Üben Sie beim Arbeiten nur mäßigen Druck aus, der dem bearbeiteten Werkstoff angemessen ist. Verlangsamen Sie die Schleifscheiben nicht durch Gegendruck von der Seite.

Die Richtung, in der Sie schneiden möchten, ist wichtig. Das Gerät muss immer entgegen der Schnittrichtung arbeiten. Bewegen Sie also niemals das Gerät in die andere Richtung! Es besteht die Gefahr, dass das Gerät beim Trennen festklemmt, was einen Rückschlag verursacht, sodass Sie die Kontrolle über das Gerät verlieren.

Ratschläge für optimale Arbeitsergebnisse

- Spannen Sie das Werkstück ein. Verwenden Sie für kleine Werkstücke eine Spannvorrichtung.
- Halten Sie das Gerät mit beiden Händen fest.
- Schalten Sie das Gerät ein.
- Warten Sie, bis das Gerät seine Höchstdrehzahl erreicht hat.
- Setzen Sie die Schleifscheibe auf das Werkstück.
- Bewegen Sie das Gerät langsam am Werkstück entlang, wobei Sie die Schleifscheibe fest gegen das Werkstück drücken.

- Üben Sie nicht zu viel Druck auf das Gerät aus. Lassen Sie das Gerät die Arbeit verrichten.
- Schalten Sie das Gerät aus, und warten Sie vor dem Ablegen, bis es vollkommen zum Stillstand gekommen ist.

5. WARTUNG



Schalten Sie das Werkzeug immer aus, und entnehmen Sie den Akku aus dem Gerät, bevor Sie Reinigungs- oder Wartungsarbeiten am Werkzeug vornehmen.

Reinigen Sie das Werkzeuggehäuse regelmäßig mit einem weichen Lappen, vorzugsweise nach jeder Verwendung. Stellen Sie sicher, dass die Lüftungsöffnungen frei von Staub und Schmutz sind. Entfernen Sie anhaftenden Schmutz mit einem weichen Lappen, der leicht mit Seifenwasser befeuchtet wurde. Verwenden Sie keine Lösungsmittel wie Benzin, Alkohol, Ammoniak usw., da Chemikalien dieser Art die Kunststoffteile beschädigen.

UMWELTSCHUTZ



Schadhafte und/oder zu entsorgende elektrische oder elektronische Werkzeuge und Geräte müssen an den dafür vorgesehenen Recycling-Stellen abgegeben werden.

Nur für EG-Länder

Entsorgen Sie Elektrowerkzeuge nicht über den Hausmüll. Entsprechend der EU-Richtlinie 2012/19/EG über Elektro- und Elektronik-Altgeräte sowie der Umsetzung in nationales Recht müssen Elektrowerkzeuge, die nicht mehr im Gebrauch sind, getrennt gesammelt und umweltschonend entsorgt werden.

GARANTIE

VONROC-Produkte werden nach den höchsten Qualitätsstandards entwickelt und sind für den gesetzlich festgelegten Zeitraum, ausgehend von dem ursprünglichen Kaufdatum, garantiert frei von Fehlern in Material und Ausführung. Sollte das Produkt in diesem Zeitraum aufgrund von Material- und/oder Verarbeitungsmängeln Fehler aufweisen, wenden Sie sich bitte direkt an VONROC Kundendienst.

Folgende Umstände sind von der Garantie ausgeschlossen:

- Reparaturen und oder Änderungen an der Maschine, die durch nicht-autorisierte Servicestellen vorgenommen oder versucht wurden.
- Normale Abnutzung und Verschleiß.
- Das Werkzeug wurde übermäßig beansprucht, missbräuchlich verwendet oder falsch gewartet.
- Es wurden keine Original-Ersatzteile verwendet.

Dies stellt die einzige Gewährleistung des Unternehmers dar, sowohl ausdrücklich als auch implizit. Es gibt keine anderen ausdrücklichen oder stillschweigenden Garantien, die über das hier Genannte hinausgehen, einschließlich der stillschweigenden Garantien der Marktgängigkeit oder Eignung für einen bestimmten Zweck. In keinem Fall ist VONROC haftbar für Neben- oder Folgeschäden. Die Rechtsmittel des Händlers beschränken sich auf Reparatur oder Ersatz fehlerhafter Einheiten oder Teile.

Am Produkt und am Benutzerhandbuch können Änderungen vorgenommen werden. Die technischen Daten können sich ohne Vorankündigung ändern.

1. VEILIGHEIDSVOORSCHRIFTEN

Lees de bijgesloten veiligheidswaarschuwingen, de aanvullende veiligheidswaarschuwingen en de instructies. Het niet opvolgen van de veiligheidswaarschuwingen kan elektrische schokken, brand en/of ernstig letsel tot gevolg hebben. Bewaar de veiligheidswaarschuwingen en instructies als naslagwerk voor later.

De volgende symbolen worden gebruikt in de gebruikershandleiding of op het product:



Lees de gebruikershandleiding.



Gevaar voor lichamelijk letsel, overlijden of schade aan de machine wanneer de instructies in deze handleiding niet worden opgevolgd.



Gevaar voor elektrische schokken.



Max temperatuur 45°C.



Accu niet verbranden.



Accu niet in het water gooien.



*Draag een veiligheidsbril.
Draag gehoorbescherming.*



Draag veiligheidshandschoenen.



Alleen binnenshuis gebruiken.



Niet gebruiken in regen.



Gevaar voor rondvliegende voorwerpen. Houd omstanders uit de buurt van het werkgebied.



Druk de asvergrendelingsknop niet in terwijl de motor draait.



Klasse II apparaat - Dubbel geïsoleerd - Een geaarde stekker is niet noodzakelijk.



Miniaturzekering met vertragingstijd.



Aparte inzameling van Li-ion-accu's.



Werp het product niet weg in ongeschikte containers.



Het product is in overeenstemming met de van toepassing zijnde veiligheidsnormen in de Europese richtlijnen.

ALGEMENE VEILIGHEIDSVOORSCHRIFTEN



**WAARSCHUWING! Lees alle veiligheids-
waarschuwingen en alle instructies.** Het niet opvolgen van onderstaande instructies kan leiden tot een elektrische schok, brand en/of ernstig persoonlijk letsel.

Bewaar deze instructies.

De term "elektrisch gereedschap" in onderstaande waarschuwingen heeft betrekking op zowel apparatuur met een vaste elektriciteitskabel als op apparatuur met een accu (draadloze apparatuur).

1) Werkgebied

- a) **Zorg voor een opgeruimde en goed verlichte werkomgeving.** Rommelige en donkere werkomgevingen leiden tot ongelukken
- b) **Gebruik elektrisch gereedschap nooit in een omgeving waar explosiegevaar bestaat, zoals in de nabijheid van ontvlambare vloeistoffen, gassen, dampen of andere stoffen.** Elektrische gereedschappen kunnen vonken veroorzaken, die deze stoffen tot ontbranding kunnen brengen.
- c) **Wanneer u elektrisch gereedschap gebruikt, houd dan kinderen en omstanders op afstand.** Wanneer u wordt afgeleid, kunt u de controle over het gereedschap verliezen.

2) Elektrische veiligheid

- a) **Stekkers van elektrische gereedschappen moeten probleemloos passen op het stopcontact. Breng nooit wijzigingen aan in of aan de stekker. Gebruik geen adapters voor geaarde elektrische gereedschappen.** Standaardstekkers en passende stopcontacten verkleinen de kans op een elektrische schok.
- b) **Voorkom lichamelijk contact met geaarde oppervlakken van bijvoorbeeld pijpen, leidingen, radiatoren, fornuizen en koelkasten.** Wanneer uw lichaam geaard is, wordt de kans op een elektrische schok groter.
- c) **Stel elektrische gereedschappen nooit bloot aan regen of vocht.** Wanneer er water binnendringt in een elektrisch gereedschap,

wordt de kans op een elektrische schok groter.

- d) **Gebruik het snoer niet om het elektrisch gereedschap te dragen, te verplaatsen of de stekker uit het stopcontact te trekken. Bescherm het snoer tegen olie, warmte, scherpe randen en bewegende delen.** Beschadigde of vastzittende snoeren vergroten de kans op een elektrische schok.
- e) **Wanneer u elektrische gereedschappen buiten gebruikt, gebruik dan een verlengkabel die geschikt is voor buitengebruik.** Door een kabel te gebruiken die geschikt is voor buitengebruik, wordt de kans op een elektrische schok kleiner.
- f) **Gebruik een aardlekbeveiliging (RCD) als niet te voorkomen is dat een power tool moet worden gebruikt in een vochtige omgeving.** Gebruik van een RCD vermindert het risico van elektrische schokken.

3) Persoonlijke veiligheid

- a) **Blijf altijd alert, kijk goed wat u doet en gebruik uw gezonde verstand wanneer u een elektrisch gereedschap gebruikt. Gebruik geen elektrische gereedschappen wanneer u moe bent, of drugs, alcohol of medicijnen hebt gebruikt.** Eén moment van onachtzaamheid bij het gebruik van elektrische gereedschappen kan ernstige verwondingen tot gevolg hebben.
- b) **Gebruik persoonlijke beschermingsmiddelen. Draag altijd een veiligheidsbril.** Een gepast gebruik van veiligheidsvoorzieningen, zoals een stof masker, speciale werkschoenen met antislipzolen, een veiligheidshelm en gehoorbescherming verkleinen de kans op persoonlijk letsel.
- c) **Voorkom dat het gereedschap per ongeluk wordt gestart. Zorg dat de schakelaar op de UITpositie staat, voordat u de stekker in het stopcontact steekt.** Draag elektrisch gereedschap nooit met uw vinger op de schakelaar en steek ook nooit de stekker van ingeschakelde elektrische gereedschappen in het stopcontact: dit leidt tot ongelukken.
- d) **Verwijder alle instel en andere sleutels uit het elektrisch gereedschap voordat u hem inschakelt.** Instel en andere sleutels aan een ronddraaiend onderdeel van het elektrisch gereedschap kunnen tot verwondingen leiden.
- e) **Zorg dat u nooit uw evenwicht kunt verliezen; houd altijd twee voeten stevig op de vloer.** Hierdoor kunt u het elektrisch gereedschap in on

- verwachte situaties beter onder controle houden.
- f) **Zorg dat u geschikte kleding draagt. Draag geen loshangende kleding of sieraden. Houd uw haar, kleding en handschoenen uit de buurt van bewegende delen.** Loshangende kleding, sieraden en lang haar kunnen vast komen te zitten in bewegende delen.
 - g) **Wanneer er voorzieningen zijn voor de aansluiting van stofzuiginstallaties, zorg dan dat ze op de juiste wijze worden aangesloten en gebruikt.** Gebruik van deze voorzieningen vermindert de gevaren die door stof worden veroorzaakt.
 - h) **Denk niet dat doordat u gereedschap vaak gebruikt, u wel weet hoe het allemaal werkt en dat u de veiligheidsbeginselen voor het gebruik van het gereedschap wel kunt negeren.** Een onbezonnen actie kan in een fractie van een seconde ernstig letsel tot gevolg hebben.
- 4) Gebruik en onderhoud van elektrisch gereedschap**
- a) **Oefen geen overmatige kracht uit op elektrisch gereedschap. Gebruik het juiste gereedschap voor uw specifieke toepassing.** Met het juiste elektrische gereedschap voert u de taak beter en veiliger uit wanneer dit op de snelheid gebeurt waarvoor het apparaat is ontworpen.
 - b) **Gebruik nooit elektrisch gereedschap waarvan de AAN/UITschakelaar niet werkt.** Ieder elektrisch gereedschap dat niet kan worden in en uitgeschakeld met de schakelaar is gevaarlijk en moet worden gerepareerd.
 - c) **Trek de stekker uit het stopcontact voordat u wijzigingen aanbrengt aan elektrische gereedschappen, accessoires verwisselt of het elektrisch gereedschap opbergt.** Wanneer u zich aan deze preventieve veiligheidsmaatregelen houdt, beperkt u het risico dat het gereedschap per ongeluk wordt gestart.
 - d) **Berg elektrisch gereedschap dat niet in gebruik is op buiten bereik van kinderen en laat personen die niet bekend zijn met het gereedschap of deze instructies het apparaat niet gebruiken.** Elektrisch gereedschap is gevaarlijk in de handen van ongevoefde gebruikers.
 - e) **Zorg voor een goed onderhoud van elektrisch gereedschap. Controleer of bewegende delen op de juiste wijze zijn vastgezet. Controleer ook of er geen onderdelen defect zijn of dat er andere omstandigheden zijn die van invloed kunnen zijn op de werking van het gereedschap. Laat het gereedschap bij beschadigingen repareren vóór gebruik.** Veel ongelukken worden veroorzaakt door slecht onderhoud van het gereedschap.
 - f) **Zorg dat snij en zaagwerktuigen scherp en schoon blijven.** Goed onderhouden snij en zaagwerktuigen met scherpe randen zullen minder snel vastlopen en zijn eenvoudiger onder controle te houden.
 - g) **Gebruik alle elektrische gereedschappen, accessoires, bitjes etc., zoals aangegeven in deze instructies en op de wijze waarvoor het gereedschap is ontworpen. Houd daarbij rekening met de werkomstandigheden en de uit te voeren taak.** Gebruik van elektrisch gereedschap voor handelingen die afwijken van de taken waarvoor het apparaat is ontworpen kunnen leiden tot gevaarlijke situaties.
 - h) **Houd handgrepen en greepoppervlakken droog, schoon en vrij van olie en vet.** Gladde handgrepen en greepoppervlakken maken veilig werken en controle over het gereedschap in onverwachte situaties onmogelijk.
- 5) Gebruik en onderhoud accugereedschap**
- a) **Laad alleen op met de lader die door de fabrikant is gespecificeerd.** Een lader die voor een bepaalde accu geschikt is, kan brand veroorzaken wanneer deze met een andere accu wordt gebruikt.
 - b) **Gebruik elektrisch gereedschap alleen met de speciaal hiervoor bedoelde accu's.** Gebruik van andere accu's kan kans op letsel en brand geven.
 - c) **Wanneer de accu niet in gebruik is, houd deze dan uit de buurt van andere metalen voorwerpen zoals paperclips, munten, sleutels, spijkers, schroeven of andere kleine metalen voorwerpen die een verbinding tussen twee polen kunnen maken.** Kortsluiting tussen de accupolen kan brandwonden of brand veroorzaken.
 - d) **Wanneer de accu niet juist wordt gebruikt, kan er vloeistof uit lopen; raak dit niet aan. Wanneer dit per ongeluk wel gebeurt, spoel dan met water. Wanneer de vloeistof in de ogen komt, moet u een arts raadplegen.** De vloeistof uit de accu kan irritaties of brandwonden veroorzaken.
 - e) **Gebruiken niet een accu of gereedschap dat beschadigd is of gemodificeerd.** Beschadigde of gemodificeerde accu's kunnen onvoorspelbaar gedrag vertonen, wat brand, explosie of een risico van letsel met zich meebrengt.
 - f) **Stel een accu over het gereedschap niet bloot aan open vuur of een uitzonderlijk**

hoge temperatuur. Blootstelling aan vuur of een temperatuur hoger dan 130 °C, kan een explosie veroorzaken. NB De temperatuur van “130 °C” kan worden vervangen door de temperatuur van “265 °F”.

- g) **Houd u aan alle instructies voor het laden en laad de accu of het gereedschap niet op buiten het temperatuurbereik dat in de instructies wordt aangeduid.** Op een onjuiste wijze laden of laden bij temperaturen buiten het aangeduide bereik kan de accu beschadigen en het risico van brand doen toenemen.

6) Service

- a) **Laat uw gereedschap onderhouden door een gekwalificeerde onderhoudstechnicus die alleen gebruikmaakt van identieke vervangingsonderdelen.** Dit zorgt ervoor dat de veiligheid van de power tool intact blijft.
- b) **Voer nooit servicewerkzaamheden uit aan beschadigde accu's.** Alleen de fabrikant of geautoriseerde service-providers mogen servicewerkzaamheden aan accu's uitvoeren.

VEILIGHEIDSWAARSCHUWINGEN DIE GELDEN VOOR ZOWEL SLIJPWERKZAAMHEDEN ALS DOORSLIJPWERKZAAMHEDEN

- a) **Deze power tool is bedoeld als een slijpmachine. Raadpleeg alle bijgeleverde veiligheidswaarschuwingen, instructies, illustraties en specificaties.** Als niet alle instructies hieronder worden nageleefd, kan dat een elektrische schok, brand en/of ernstig letsel tot gevolg hebben.
- b) **Deze power tool is niet geschikt voor werkzaamheden als schuren, staalborstelen en polijsten.** Als met deze power tool werkzaamheden worden uitgevoerd waarvoor de machine niet bedoeld is, kan dat leiden tot gevaren en lichamelijk letsel.
- c) **Gebruik geen accessoires die niet specifiek zijn ontworpen en aanbevolen door de fabrikant.** Het feit dat dergelijke accessoires op de power tool passen, wil niet zeggen dat een veilige werking dan gegarandeerd is.
- d) **Het nominale toerental van het accessoire moet ten minste gelijk zijn aan het maximale toerental dat op de power tool staat vermeld.** Accessoires die sneller worden aangedreven dan hun nominale toerental toestaat, kunnen breken en in het rond vliegen.
- e) **De buitendiameter en dikte van uw accessoire moeten binnen de nominale capaciteit van uw**

power tool vallen. Accessoires van een onjuiste grootte kunnen niet voldoende worden beschermd of geregeld.

- f) **Inzetgereedschappen met schroefdraadinzetstuk moeten nauwkeurig op de schroefdraad van de uitgaande as passen. De gatdiameter van met een flens gemonteerde inzetgereedschappen moet passen bij de opnamediameter van de flens.** Inzetgereedschappen die niet nauwkeurig op het elektrische gereedschap bevestigd worden, draaien ongelijkmatig, trillen sterk en kunnen tot verlies van de controle leiden.
- g) **Gebruik geen beschadigde accessoires. Controleer vóór elk gebruik accessoires zoals slijpschijven op afbrokkelingen en scheuren, steunschijven op scheuren, inkepingen en overmatige slijtage, staalborstels op losse of gescheurde draden. Als de power tool of het accessoire valt, inspecteer deze dan op schade of monteer een onbeschadigd accessoire. Nadat u het accessoire hebt geïnspecteerd en gemonteerd, moet u uzelf en omstanders uit de lijn van het roterende accessoire plaatsen en de power tool gedurende één minuut onbelast met een maximaal toerental laten draaien.** Beschadigde accessoires zullen normaliter breken tijdens deze testduur.
- h) **Draag persoonlijke beschermingsmiddelen. Gebruik, afhankelijk van de toepassing, een gelaatscherm of veiligheidsbril. Draag al naargelang de omstandigheden een stofmasker, gehoorbescherming, handschoenen en een werkplaatsschort dat alle kleine slijp- en werkstukfragmenten kan tegenhouden.** De oogbescherming moet bescherming kunnen bieden tegen rondvliegende rommel die door diverse werkzaamheden ontstaat. Het stofmasker of ademtoestel moet in staat om deeltjes te filteren die ontstaan door uw werkzaamheden. Langdurige blootstelling aan hard geluid kan uw gehoor beschadigen.
- i) **Houd omstanders op veilige afstand van het werkgebied. Iedereen die het werkgebied betreedt, moet persoonlijke beschermingsmiddelen dragen.** Fragmenten van een werkstuk of een gebroken accessoire kunnen uit het werkgebied wegvliegen en letsel veroorzaken.
- j) **Houd de power tool alleen vast aan de geïsoleerde handgrepen, omdat het snijhulpstuk in contact kan komen met niet zichtbare bedrading of met het netsnoer van de machine.** Wanneer het snijhulpstuk een onder spanning staande kabel

raakt, kunnen de metalen delen van de machine onder spanning komen te staan, waardoor de gebruiker een elektrische schok kan krijgen.

- k) **Houd het netsnoer uit de buurt van het draaiende accessoire.** Als u de controle verliest, wordt het snoer mogelijk doorgesneden of scheurt het, of raakt het verstrikt en kan uw hand of arm in het draaiende accessoire worden getrokken.
- l) **Leg de powertool nooit neer voordat het accessoire volledig tot stilstand is gekomen.** Als u dit nalaat, kan het draaiende accessoire het oppervlak aangrijpen waardoor u de controle verliest over de powertool.
- m) **Laat de powertool niet ingeschakeld terwijl u deze aan uw zijde draagt.** Als u per ongeluk contact maakt met het draaiende accessoire, kan het verstrikt raken in uw kleding, waardoor het accessoire in uw lichaam wordt getrokken.
- n) **Reinig de luchtgaten van de powertool regelmatig.** De ventilator van de motor trekt de stof tot in de behuizing en bovenmatige opeenhoping van metaalpoeder kan elektrische gevaren veroorzaken.
- o) **Gebruik de powertool niet in de buurt van ontvlambare materialen.** Vonken kunnen deze materialen doen ontbranden.
- p) **Gebruik geen accessoire die koelvloeistoffen vereisen.** Gebruik van water of andere koelvloeistoffen kan leiden tot elektrocutie of schokken.

Terugslag en hieraan gerelateerde waarschuwingen

Terugslag is een plotselinge reactie op een vastgelopen of vastgeklemd draaiende schijf, steunschijf, borstel of ander accessoire. Als het accessoire vastloopt of vastgeklemd raakt, komt het accessoire plots tot stilstand, wat op zijn beurt tot gevolg heeft dat de powertool in de richting wordt geforceerd die tegengesteld is aan de rotatie van het accessoire op het contactpunt. Als een slijpschijf bijvoorbeeld in het werkstuk vastloopt of vastgeklemd raakt, kan de rand van de schijf die in het knelpunt vastraakt, zich ingraven in het oppervlak van het materiaal waardoor de schijf naar buiten klimt of springt. De schijf kan dan in de richting van de gebruiker of weg van de gebruiker springen, afhankelijk van de richting van de schijfbeweging op het knelpunt. Slijpschijven kunnen onder deze omstandigheden ook afbreken. Terugslag ontstaat door onjuist gebruik van de powertool en/of onjuiste gebruikprocedures/-omstandigheden en kan worden vermeden door de voorzorgsmaatregelen hieronder te nemen.

- a) **Houd de machine stevig vast en plaats uw lichaam zodanig dat u de krachten die ontstaan bij terugslag kunt weerstaan.** Gebruik altijd de hulpgreep, indien aanwezig, om maximale controle te houden over terugslag of koppelreactie bij opstarten. De gebruiker kan koppelreacties of terugslagkrachten onder controle houden met de juiste voorzorgsmaatregelen.
- b) **Plaats uw hand nooit in de buurt van het draaiende accessoire.** Het accessoire kan terugslaan over uw hand.
- c) **Plaats uw lichaam niet in het gebied waarin de powertool zal bewegen als er terugslag optreedt.** Bij terugslag zal de tool draaiend terugspringen in de richting die tegengesteld is aan de beweging van de schijf op het knelpunt.
- d) **Wees uiterst voorzichtig bij het gebruik van de machine bij hoeken, scherpe randen, etc.** Voorkom dat de machine stuitert of vastgeklemd raakt. Hoeken, scherpe randen of een terugspringende machine kunnen tot gevolg hebben dat het draaiende accessoire vastloopt waardoor u de controle verliest of er terugslag optreedt.
- e) **Bevestig geen houtbewerkingsbladen voor zaagkettingen of getande zaagbladen.** Dergelijke bladen veroorzaken vaak terugslag en verlies van controle over de machine.

VEILIGHEIDSWAARSCHUWINGEN DIE SPECIFIEK GELDEN VOOR SLIJP- EN DOORSLIJPWERKZAAMHEDEN

- a) **Gebruik alleen schijftypes die worden aanbevolen voor uw powertool en de specifieke beschermkap die is ontworpen voor de geselecteerde schijf.** Schijven waarvoor de powertool niet ontworpen is, kunnen niet toereikend worden beschermd en zijn niet veilig.
- b) **Gebogen slijpschijven moeten zodanig gemonteerd worden dat hun slijppoppervlak niet boven de rand van de beschermkap uit steekt.** Een onjuist gemonteerde slijpschijf die over de rand van de slijpschijf uitsteekt, kan onvoldoende afgeschermd worden.
- c) **De beschermkap moet stevig worden bevestigd op de powertool en zo worden geplaatst dat de veiligheid maximaal is en de hoeveelheid schijf waaraan de gebruiker blootstaat, minimaal is.** De beschermkap helpt de gebruiker te beschermen tegen gebroken schijffragmenten, ongewild contact met de schijf en vonken die kleding kunnen doen ontbranden.

- d) **Schijven mogen alleen worden gebruikt voor de aanbevolen toepassing. Bijvoorbeeld: niet slijpen met de zijkant van een doorslijpschijf.** Doorslijpschijven zijn bestemd voor omtrekslijpen; zijkrachten die op deze schijven worden toegepast kunnen tot gevolg hebben dat de schijf in stukken uiteenvalt.
- e) **Gebruik altijd onbeschadigde schijfflazen van de juiste grootte en vorm voor uw geselecteerde schijf.** Juiste schijfflazen ondersteunen de schijf waardoor het risico dat de schijf breekt wordt verkleind. Flazen voor doorslijpschijven kunnen afwijken van flazen voor slijpschijven.
- f) **Gebruik geen afgesleten schijven van grotere poortools.** Schijven die zijn bestemd voor grotere poortools zijn niet geschikt voor het hogere toerental van een kleinere tool en kunnen barsten.

AANVULLENDE VEILIGHEIDSWAARSCHUWINGEN DIE SPECIFIEK ZIJN BESTEMD VOOR DOORSLIJPWERKZAAMHEDEN



Doorslijpwerkzaamheden mogen alleen worden uitgevoerd met een speciale beschermkap (niet inbegrepen) afb. E2 - F2.

- a) **Forceer de doorslijpschijf niet in het werkstuk en oefen niet te veel kracht uit. Maak geen te diepe snedes.** Door te veel spanning uit te oefenen op de schijf raakt deze overbelast en wordt het risico groter dat de schijf in de snede vervormd raakt of vastloopt, waardoor terugslag of schijfbreuk kan optreden.
- b) **Plaats uw lichaam niet op één lijn met en achter de draaiende schijf.** Wanneer de schijf zich van uw lichaam af beweegt op het werkpunt, worden door de mogelijke terugslag de draaiende schijf en de poortool in uw richting getorpedeerd.
- c) **Wanneer de schijf vastloopt of wanneer de snijbewerking om enige reden wordt onderbroken, schakel dan de poortool uit en houd deze bewegingsloos vast totdat de schijf volledig tot stilstand is gekomen. Probeer de doorslijpschijf nooit uit de snede te verwijderen terwijl de schijf in beweging is. Anders kan terugslag optreden.** Onderzoek eerst waarom de schijf is vastgelopen en verhelp de oorzaak.
- d) **Begin niet opnieuw met doorslijpen terwijl de poortool in het werkstuk zit. Laat de schijf eerst op het maximale toerental komen en ga met de poortool vervolgens opnieuw voorzichtig in de snede.** Als u de poortool start terwijl

- deze in het werkstuk zit, kan de schijf vastgeklemd raken, naar boven lopen of terugslaan.
- e) **Ondersteun panelen of grote werkstukken om het risico te verkleinen dat de schijf bekneld raakt en terugslag optreedt.** Grote werkstukken hebben de neiging om onder hun eigen gewicht in elkaar te zakken. Ondersteuning moet worden geplaatst onder het werkstuk bij de lijn van de snede en bij de rand van het werkstuk aan beide zijden van de schijf.
- f) **Wees extra voorzichtig als u in bestaande muren of andere blinde gebieden een "binnengat" maakt.** De uitstekende schijf snijdt mogelijk door gas- of waterleidingen, elektrische bedrading of objecten waardoor terugslag kan optreden.

VEILIGHEIDSVOORSCHRIFTEN VOOR DE ACCU

- a) **Open de accu niet.** Er bestaat gevaar voor kortsluiting.
- b) **Bescherm de accu tegen hitte, bijvoorbeeld ook tegen voortdurend zonlicht, vuur, water en vocht.** Er bestaat explosiegevaar.
- c) **Bij beschadiging en onjuist gebruik van de accu kunnen er dampen vrijkomen. Zorg voor frisse lucht en raadpleeg bij klachten een arts.** De dampen kunnen de lucht wegen irriteren.
- d) **Gebruik de accu alleen in combinatie met uw Vonroc product.** Alleen zo wordt de accu tegen gevaarlijke overbelasting beschermd.
- e) **Door scherpe voorwerpen, zoals bijv. spijkers of schroevendraaiers of door krachthinwerking van buitenaf kan de accu beschadigd worden.** Het kan tot een interne kortsluiting leiden en de accu doen branden, roken, exploderen of oververhitten.

VEILIGHEIDSVOORSCHRIFTEN VOOR DE LADER Bedoeld gebruik

Laad uitsluitend herlaadbare accupacks van het type CD801AA en CD803AA. Andere typen accu's kunnen exploderen, wat lichamelijk letsel en schade kan veroorzaken.

- a) **Het apparaat dient niet te worden gebruikt door personen (inclusief kinderen) met verminderde fysieke, zintuiglijke of mentale functies of personen zonder enige ervaring en kennis, tenzij zij onder toezicht staan of zijn geïnstrueerd.**
- b) **Laat kinderen onder toezicht niet met het apparaat spelen.**
- c) **Laad niet-herlaadbare accu's niet opnieuw op!**
- d) **Plaats de accu's tijdens het opladen in een goed geventileerde ruimte!**



Controleer altijd of de spanning van de stroomtoevoer overeenkomt met de spanning op het typeplaatje.

- Gebruik de machine niet indien het netsnoer of de netstekker zijn beschadigd.
- Gebruik uitsluitend verlengkabels die geschikt zijn voor het vermogen van de machine met een minimale dikte van 1,5 mm². Indien u een verlengkabelhaspel gebruikt, rol dan altijd de kabel volledig uit.

2. TECHNISCHE INFORMATIE

Bedoeld gebruik

Uw haakse slijper is ontworpen voor het slijpen van metselwerk en stalen materialen zonder gebruik van water. Voor doorslijpwerkzaamheden moet een speciale beschermkap worden gebruikt (niet inbegrepen). Afb. F2.

TECHNISCHE SPECIFICATIES

Model Nr.	S2_AG501DC
Voltage	20V
Toerental onbelast	8.000/min
Slijpschijf	
Diameter:	115 mm
Asgat:	22,2 mm
Asdraad	M14
Gewicht	1,55 kg
Geluidsdruk L _{PA}	75,7 dB(A), K=3dB(A)
Geluidsvermogen L _{WA}	86,7 dB(A), K=3dB(A)
Vibratie a _{h,AG}	5,642 m/s ² , K=1,5 m/s ²

Model Nr.	CD801AA
Accu type	Lithium-Ion
Voltage	20V
Vermogen	2,0 Ah
Aanbevolen laadapparaat	CD802AA
Gewicht	0,3 kg

Model Nr.	CD802AA
Acculader ingang	220-240V, 50Hz 0,4A
Acculader uitgangsvermogen	21V 2,5A
Oplaadtijd 2Ah accu	60 minuten

Oplaadtijd 4Ah accu	120 minuten
Aanbevolen accu's	CD801AA, CD803AA
Gewicht	0,36 kg



Draag gehoorbescherming.

Gebruik uitsluitend de volgende accu's van het VONROC VPOWER 20V accu-platform. Gebruik van andere accu's kan leiden tot ernstig letsel of tot beschadiging van het gereedschap.

CD801AA	20V, 2Ah Lithium-Ion
CD803AA	20V, 4Ah Lithium-Ion

De volgende lader kan worden gebruikt voor het opladen van deze accu's.

CD802AA	Snellader
---------	-----------

De accu's van het VONROC VPOWER 20V accu-platform kunnen worden gewisseld tussen alle gereedschappen van het VONROC VPOWER 20V accu-platform.

Trillingsniveau

Het trillingsemissieniveau, dat in deze gebruiksaanwijzing wordt vermeld, is gemeten in overeenstemming met een gestandaardiseerde test volgens EN 60745; deze mag worden gebruikt om twee machines met elkaar te vergelijken en als voorlopige beoordeling van de blootstelling aan trilling bij gebruik van de machine voor de vermelde toepassingen.

- Het gebruik van de machine voor andere toepassingen, of met andere of slecht onderhouden accessoires, kan het blootstellingsniveau aanzienlijk verhogen.
- Wanneer de machine is uitgeschakeld of wanneer deze loopt maar geen werk verricht, kan dit het blootstellingsniveau aanzienlijk reduceren.

Bescherm uzelf tegen de gevolgen van trilling door de machine en de accessoires te onderhouden, uw handen warm te houden en uw werkwijze te organiseren.

BESCHRIJVING

De nummers in de tekst verwijzen naar de diagrammen op pagina 2 - 5.

1. Asvergrendelingsknop
2. Ontgrendelingshendel voor beschermkap
3. Beschermkap
4. Machine

5. Schakelaar Aan / Uit
6. Aansluitpunt zijgreep
7. As
8. Zijgreep
9. Aansluitflens
10. Schijf
11. Klemmoer
12. Sleutel
13. Accu
14. Ontgrendelingsknop accu
15. Led-controlelampjes knop
16. Led-controlelampjes accu
17. Accu lader
18. Led-controlelampjes acculader

3. ASSEMBLAGE



Neem altijd voor werkzaamheden aan het elektrische gereedschap de accu uit het gereedschap.



De accu moet zijn opgeladen voordat deze voor het eerst wordt gebruikt.

De accu in de machine plaatsen (Afb. C-1)



Zorg ervoor dat het oppervlak van de accu schoon en droog is voordat u deze op de acculader of de machine aansluit.

1. Plaats de accu (13) in de onderkant van de machine, zoals is weergegeven in Fig. C-1.
2. Duw de accu verder naar voren tot deze vastklikt.

De accu van de machine verwijderen (Afb. C-1)

1. Duw op de ontgrendelingsknop van de accu (14)
2. Trek de accu uit de machine zoals afgebeeld in Fig. C-1.

De laadstatus van de accu controleren (Afb. C-2)

- Druk kort op de knop (15) op de accu om de laadstatus van de accu te controleren.
- Op de accu bevinden zich 3 lampjes die het laadniveau aangeven. Hoe meer lampjes branden, des te meer is de accu opgeladen.
- Wanneer de lampjes niet branden, wil dit zeggen dat de accu leeg is en onmiddellijk moet worden opgeladen.

De accu laden met de acculader (Afb. C-2)

1. Haal de accu (13) uit de machine.
2. Draai de accu (13) ondersteboven en schuif

deze op de acculader (17), zoals is weergegeven in Afb. C-2.

3. Duw op de accu tot deze volledig in de sleuf zit.
4. Steek de stekker van de acculader in een stopcontact en wacht even. De Led-lampjes op de acculader (18) gaan branden en tonen de status van de lader.

De acculader heeft 2 led-controlelampjes (18) dat de status van het laadproces aangeeft:

Status rode LED	Status groene LED	Status van acculader
Uit	Uit	Geen stroom
Uit	Aan	Standby mode: - Geen accu geplaatst, of - Opladen van de accu is beëindigd, de accu is volledig opgeladen
Aan	Uit	Bezig met opladen van accu

- Het kan tot 60 minuten duren voordat de 2Ah accu volledig is opgeladen.
- Het kan tot 120 minuten duren voordat de 4Ah accu volledig is opgeladen.

Verwijder, als de accu volledig is opgeladen, de stekker van de acculader uit het stopcontact en haal de accu uit de acculader.



Wanneer deze machine gedurende een langere tijd niet wordt gebruikt, is het raadzaam de accu te bewaren in opgeladen toestand.

De beschermkap monteren (Afb. E en F)

1. Plaats de machine op een tafel met de as (7) naar boven gericht.
2. Plaats de beschermkap (3) over de machinekop zoals getoond in afbeelding C en zorg er hierbij voor dat de richels op de beschermkap in de inkepingen van de machinekop vallen.
3. Draai de beschermkap tegen de wijzers van de klok in zoals getoond in afbeelding D en klem de ontgrendelingshendel voor de beschermkap (2) dicht.
4. U kunt de positie van de beschermkapafstellen door de hendel (2) los te maken. Zet de

beschermkap vervolgens in de gewenste positie en klem vervolgens de hendel dicht om deze te vergrendelen.

Monteren en verwijderen van de slijpschijf (Afb. D)



Gebruik de machine niet zonder de beschermkap.



Gebruik uitsluitend scherpe en onbeschadigde schijven.

- Gebruik altijd een geschikte schijf voor deze machine, met een diameter van Ø 115 mm en een asgat van 22,2 mm; de dikte van de schijf moet 6 mm zijn voor een slijpschijf en 3 mm voor een doorslijpschijf; de schijf mag de beschermkap niet raken.

Monteren

1. Plaats de machine op een tafel met de beschermkap (3) naar boven gericht.
2. Monteer de flens (9) op de as (7).
3. Plaats de schijf (10) op de as (7).
4. Houd de asvergrendelingsknop (1) ingedrukt en draai de klemmoer (11) stevig vast op de as (7) met behulp van de sleutel (12).

Verwijderen

1. Plaats de machine op een tafel met de beschermkap (3) naar boven gericht.
2. Houd de asvergrendelingsknop (1) ingedrukt en maak de klemmoer (11) los met behulp van de sleutel (12).
3. Verwijder de schijf (10) van de as (7).
4. Houd de asvergrendelingsknop (1) ingedrukt en draai de klemmoer (11) stevig vast met behulp van de sleutel (12).

De zijgreep monteren (Afb. A en G)

- De zijgreep (8) kan in een van de drie aansluitpunten (6) worden geschroefd.

4. BEDIENING



Verzeker uzelf ervan dat het werkstuk goed gefixeerd of ondersteund is.

In- en uitschakelen (Afb. B)

- Om de machine in continubedrijf in te schakelen, schuift u de vergrendeling (5) naar rechts en de aan/uit-schakelaar (5) in de richting van

de slijpschijf (fig. B1).

- Om de machine uit te schakelen, drukt u het onderste deel van de aan/uit-schakelaar (5) in (fig. B2). Houd de machine weg van het werkstuk als u de machine in- of uitschakelt. Anders wordt het werkstuk mogelijk beschadigd door de schijf.
- Klem het werkstuk stevig vast of gebruik een andere methode om ervoor te zorgen dat het werkstuk kan bewegen kan komen terwijl u aan het werk bent.
- Controleer de schijven regelmatig. Versleten schijven hebben een negatief effect op de efficiëntie van de machine. Vervang een schijf tijdig door een nieuwe.

Afbramen (Afb. H)



Een schuine hoek van 30° tot 40° geeft bij het afbramen het beste resultaat. Beweeg de machine met een lichte druk heen en terug. Dit voorkomt dat het werkstuk ontkleurt of te heet wordt en groeven worden gevormd.



Gebruik nooit doorslijpschijven om werkstukken af te bramen!

Doorslijpen (Afb. I)



Voor doorslijpwerkzaamheden moet een speciale beschermkap worden gebruikt (niet inbegrepen).

Houd stevig contact met het werkstuk om trillingen te voorkomen; kantel de machine niet en oefen geen druk uit terwijl u het werkstuk doorslijpt. Oefen tijdens het werk een gemiddelde druk uit die past bij het materiaal waaraan u werkt. Vertraag schijven niet door een zijwaartse tegendruk uit te oefenen. De richting waarin u wilt doorslijpen is belangrijk. De machine moet altijd tegen de richting van de snede in werken; u mag de machine dus nooit in tegengestelde richting bewegen! Er bestaat anders het risico van terugslag waardoor u de controle over de machine verliest.

Aanwijzingen voor optimaal gebruik

- Klem het werkstuk vast. Gebruik een klemrichting voor kleine werkstukken.
- Houd de machine met beide handen vast.
- Schakel de machine in.
- Wacht totdat de machine op volle snelheid is.
- Plaats de slijpschijf op het werkstuk.

- Beweeg de machine langs het werkstuk, waarbij de slijpschijf stevig tegen het werkstuk wordt gedrukt.
- Oefen niet te veel druk uit op de machine. Laat de machine het werk doen.
- Schakel de machine uit en wacht totdat de machine volledig tot stilstand is gekomen voordat u de machine neerlegt.

De volgende situaties vallen niet onder de garantie:

- Er zijn reparaties of aanpassingen aan de machine uitgevoerd, of er is een poging daartoe ondernomen, door een nietgeautoriseerd servicecentrum.
- Normale slijtage.
- De machine is misbruikt, verkeerd gebruikt of slecht onderhouden.
- Er zijn niet-originele reserveonderdelen gebruikt

5. ONDERHOUD



Schakel, voordat u met de reiniging en het onderhoud begint, altijd de machine uit en haal het accupack uit de machine.

Reinig de machinebehuizing regelmatig met een zachte doek, bij voorkeur iedere keer na gebruik. Zorg dat de ventilatiesleuven vrij van stof en vuil zijn. Gebruik bij hardnekkig vuil een zachte doek bevochtigd met zeepwater. Gebruik geen oplosmiddelen als benzine, alcohol, ammonia, etc. Dergelijke stoffen beschadigen de kunststof onderdelen.

MILIEU



Defecte en/of afgedankte elektrische of elektronische gereedschappen dienen ter verwerking te worden aangeboden aan een daarvoor verantwoordelijke instantie.

Uitsluitend voor EG-landen

Werp elektrisch gereedschap niet weg bij het huisvuil. Conform de Europese Richtlijn 2012/19/EG voor Afgedankte Elektrische en Elektronische Apparatuur en de implementatie ervan in nationaal recht moet niet langer te gebruiken elektrisch gereedschap gescheiden worden verzameld en op een milieuvriendelijke wijze worden verwerkt.

GARANTIE

VONROC producten zijn ontworpen volgens de hoogste kwaliteitsstandaarden en gegarandeerd vrij van defecten, zowel materieel als fabrieksfouten, tijdens de wettelijk vastgestelde garantieperiode vanaf de eerste aankoopdatum. Mocht het product tijdens deze periode gebreken vertonen veroorzaakt door defecte materialen en/of fabrieksfouten, neem dan rechtstreeks contact op met VONROC.

Dit vormt de enige garantie opgesteld door het bedrijf zowel expliciet als impliciet. Er bestaan geen andere garanties expliciet of impliciet welke verder gaan dan deze garantie, inclusief impliciete garanties van verkoopbaarheid en geschiktheid voor bepaalde doeleinden. In geen enkel geval kan VONROC aansprakelijk worden gesteld voor incidentele schade of gevolgschade. Reparaties van dealers zijn gelimiteerd tot de reparatie of vervanging van defecte producten of onderdelen.

Het product en de gebruikershandleiding zijn onderhevig aan wijzigingen. Specificaties kunnen zonder opgaaf van redenen worden gewijzigd.

1. CONSIGNES DE SÉCURITÉ

En plus des avertissements de sécurité suivants, veuillez également lire les avertissements de sécurité additionnels ainsi que les instructions. Le non-respect des avertissements de sécurité et des instructions peut entraîner une décharge électrique, un incendie et/ou des blessures graves. Veuillez conserver les avertissements de sécurité et les instructions pour consultation ultérieure.

Les symboles suivants sont utilisés dans le manuel d'utilisation ou apposés sur le produit:



Lisez le manuel d'utilisation.



Signale un risque de blessures, un danger mortel ou un risque d'endommagement de l'outil en cas de non-respect des instructions de ce manuel.



Risque d'électrocution.



Max 45°C

Température max. 45°C.



Ne jetez pas la batterie au feu.



Ne jetez pas la batterie dans de l'eau.



Portez des lunettes de protection.
Portez une protection auditive.



Portez des gants de sécurité.



Utilisation en intérieur uniquement.



Ne pas utiliser sous la pluie.



Risque de projection d'objets. Maintenez les passants à l'écart de la zone de travail.



N'appuyez pas sur le bouton de blocage d'axe lorsque le moteur fonctionne.



Machine de classe II - Double isolation - Vous n'avez pas besoin de prise avec mise à la terre.



T3,15A

Fusible miniature à fusion lente.



La batterie Li-ion fait l'objet d'une collecte séparée.



Ne jetez pas le produit dans des conteneurs qui ne sont pas prévus à cet effet.



Le produit est conforme aux normes de sécurité applicables des directives européennes.

CONSIGNES GÉNÉRALES DE SÉCURITÉ

AVERTISSEMENT! Veuillez lire l'intégralité des avertissements de sécurité et des instructions. Le nonrespect de toutes les instructions indiquées cidessous peut entraîner un risque de choc électrique, d'incendie et/ou de blessures graves.

Conservez ces instructions.

Le terme "appareil électrique" mentionné dans tous les avertissements cidessous se rapporte à un appareil électrique qui se branche au réseau électrique (grâce à un câble d'alimentation) ou à un appareil électrique (sans fil) fonctionnant grâce à une batterie.

1) espace de travail

- Veillez toujours à garder votre espace de travail propre et bien éclairé.** Les espaces mal rangés et sombres peuvent être la cause d'accidents.
- N'utilisez pas les appareils électriques dans des environnements susceptibles d'explosion, par exemple en présence de liquides inflammables, de gaz ou de particules.** Les appareils électriques provoquent des étincelles qui peuvent enflammer les particules des émanations.
- Veillez à garder éloignés les enfants et les personnes se trouvant dans votre voisinage, lors de l'utilisation d'un appareil électrique.** Les distractions peuvent vous faire perdre le contrôle de l'appareil.

2) mesures de sécurité électriques

- Les prises des appareils électriques doivent être raccordées à la prise murale correspondante. Ne modifiez jamais la prise de l'appareil, de quelque façon que ce soit. N'utilisez pas d'adaptateurs qui mettent les appareils électriques à la terre (mise à la masse).** Des prises non modifiées et branchées à la prise murale correspondante réduiront les

risques de choc électrique.

- b) **Évitez le contact direct avec les surfaces mises à la terre ou mises à la masse comme les canalisations, les radiateurs, les cuisinières et les réfrigérateurs.** En effet, le risque de choc électrique s'accroît si votre corps est mis à la terre ou à la masse.
- c) **N'utilisez pas d'outils électriques dans des environnements pluvieux ou humides.** Si de l'eau s'introduit dans un appareil électrique, le risque de choc électrique augmentera.
- d) **N'utilisez pas le câble de manière abusive. N'utilisez jamais le câble pour transporter, tirer ou débrancher l'appareil électrique. Veillez à garder le câble éloigné des sources de chaleur, des huiles, des rebords coupants ou des pièces actionnées.** Les câbles endommagés ou entremêlés augmentent le risque de choc électrique.
- e) **Lorsque un appareil est utilisé à l'extérieur, utilisez uniquement un câble prolongateur prévu à cet effet.** L'utilisation d'un câble à usage extérieur réduit le risque de choc électrique.
- f) **Si vous êtes contraint d'utiliser un outil électrique dans un environnement humide, utilisez une alimentation protégée par un dispositif à courant résiduel (RCD).** L'utilisation d'un RCD réduit le risque de décharge électrique.

3) Sécurité personnelle

- a) **Restez vigilant, gardez un œil sur ce que vous faites et utilisez votre sens commun lors de l'utilisation d'un appareil électrique. N'utilisez pas un appareil électrique si vous êtes fatigué ou si vous êtes sous l'influence de drogues, d'alcool ou si vous prenez des médicaments.** Un moment d'inattention lors de l'utilisation des appareils électriques peut entraîner des blessures graves.
- b) **Utilisez un équipement de protection personnelle. Protégez-vous toujours les yeux.** Les équipements de protection, tels qu'un masque à poussière, des chaussures antidérapantes, des protections auditives ou un casque de sécurité, utilisés dans de bonnes conditions, réduiront le risque de blessures.
- c) **Prévenez tout démarrage involontaire. Assurez-vous que l'interrupteur est sur la position "arrêt avant de brancher l'appareil.** En effet, le transport des appareils électriques en gardant vos doigts sur l'interrupteur, ou le branchement de ces appareils en ayant l'interrupteur sur

"marche accidents.

- d) **Retirez les clés de réglage ou les clés de vis de réglage avant d'allumer l'appareil électrique.** Une clé de vis de réglage ou une clé, laissée sur une pièce en mouvement de l'appareil électrique, peut entraîner des lésions corporelles.
- e) **Ne pas se précipiter. Gardez toujours vos pieds à plat et gardez votre équilibre.** Ceci permet de mieux contrôler l'appareil électrique dans des situations imprévues.
- f) **Habillez-vous convenablement. Ne portez pas de vêtements lâches ou de bijoux. Gardez vos cheveux, vêtements et gants éloignés des pièces actionnées.** En effet, ces derniers peuvent être pris dans les pièces en action.
- g) **Si les appareils sont fournis pour la connexion des équipements d'évacuation et de récupération de la poussière, assurez-vous que ces derniers soient correctement connectés et utilisés.** L'utilisation de ces appareils peut réduire les risques liés à la poussière.
- h) **Ne pensez pas être familiarisé avec l'outil après l'avoir utilisé à de nombreuses reprises, au point de ne plus rester vigilant et d'oublier les consignes de sécurité.** Toute action imprudente peut engendrer de graves blessures en une fraction de seconde.

4) Utilisation et entretien d'un appareil électrique

- a) **Ne forcez pas l'appareil électrique. Utilisez l'appareil électrique adéquat pour votre application.** Un appareil électrique correctement choisi assurera un meilleur travail et un travail sans danger, au rythme auquel il a été conçu.
- b) **N'utilisez pas l'appareil électrique si l'interrupteur marche/arrêt ne fonctionne pas.** Un appareil électrique qui ne peut pas être commandé par l'interrupteur de contrôle est dangereux et doit être réparé.
- c) **Débranchez la prise du bloc d'alimentation avant d'effectuer des réglages, de changer des accessoires, ou de ranger les appareils électriques.** Ces mesures de sécurité préventives réduiront le risque de démarrage involontaire de l'appareil électrique.
- d) **Rangez les appareils électriques arrêtés hors de la portée des enfants et ne laissez aucune personne, non familiarisée avec l'outil ou ces instructions, utiliser l'appareil électrique.** Les appareils électriques sont dangereux entre les mains d'utilisateurs non formés.

- e) **Entretenez les appareils électriques. Vérifiez tout défaut d'alignement et l'enchaînement des pièces actionnées, la rupture de ces dernières, et les autres conditions qui peuvent affecter le fonctionnement des appareils électriques. En cas de dommages, faites réparer l'appareil électrique avant de le réutiliser.** Nombreux sont les accidents provoqués par des appareils électriques mal entretenus.
- f) **Veillez à garder les outils coupants aiguisés et propres.** Des outils coupants correctement entretenus avec des lames aiguisées sont moins susceptibles de se bloquer et sont plus faciles à contrôler.
- g) **Utilisez l'appareil électrique, les accessoires et les embouts, etc., conformément à ces instructions et de la manière prévue pour le type spécifique de l'appareil électrique, en prenant en compte les conditions de travail et le travail à effectuer.** L'utilisation de l'appareil électrique dans des applications différentes de celles prévues peut entraîner des situations dangereuses.
- h) **Gardez les poignées et les surfaces de préhension sèches, propres et exemptes d'huile et de graisse.** Des poignées et des surfaces de préhension glissantes ne permettent pas de manipuler et de contrôler l'outil correctement en cas de situations inattendues.
- h) **Gardez les poignées et les surfaces de préhension sèches, propres et exemptes d'huile et de graisse.** Des poignées et des surfaces de préhension glissantes ne permettent pas de manipuler et de contrôler l'outil correctement en cas de situations inattendues.
- 5) **Utiliser et soigner les outils à batterie**
- a) **Rechargez la batterie uniquement avec le chargeur spécifié par le fabricant.** Un chargeur adapté à une certaine batterie peut être cause de danger d'incendie quand on l'utilise avec une batterie différente.
- b) **Utilisez chaque outil uniquement avec la batterie conçue pour lui.** L'utilisation de toute autre batterie peut être cause de danger de blessure ou d'incendie.
- c) **Lorsque une batterie n'est pas en usage, gardez-la hors d'atteinte d'objets métalliques tels que les trombones, pièces de monnaie, clés, clous, vis et autres petits objets métalliques pouvant faire le contact entre une borne et l'autre.** Un court-circuit entre les bornes de la batterie peut être cause de brûlures ou d'incendie.
- d) **Dans des circonstances extrêmes, du liquide peut gicler hors de la batterie ; évitez tout contact. En cas de contact accidentel, rincez à l'eau. En cas de contact du liquide avec les yeux, consultez un médecin.** Le liquide qui gicle d'une batterie peut causer irritations ou brûlures.
- e) **N'utilisez pas un bloc-batterie ou un outil endommagé ou modifié.** Une batterie endommagée ou altérée peut avoir un comportement imprévisible qui peut conduire à un incendie, une explosion ou un risque de blessure.
- f) **N'exposez pas le bloc-batterie ou l'outil au feu ou à des températures excessives.** L'exposition au feu ou à des températures dépassant 130 °C peut provoquer une explosion. REMARQUE La température de "130°C" peut être remplacé par la température de "265°F".
- g) **Respectez les instructions pour la charge et ne rechargez pas le bloc-batterie ou l'outil à une plage de températures hors de celle spécifiée dans les instructions.** Une charge mal effectuée ou à des températures hors de la plage spécifiée peut endommager la batterie et augmente le risque d'incendie.
- 6) **Maintenance**
- a) **L'entretien de votre outil électrique doit être confié à un réparateur qualifié qui utilise uniquement des pièces de rechange identiques aux pièces d'origine.** Cela permet d'assurer la sécurité de l'outil électrique.
- b) **Ne réparez jamais des blocs-batteries endommagés.** Les réparations sur les blocs-batteries ne doivent être effectuées que par le fabricant ou l'un de ses prestataires de services agréés.

AVERTISSEMENTS DE SÉCURITÉ COMMUNS AUX OPÉRATIONS DE MEULAGE ET DE DÉCOUPAGE À L'ABRASIF

- a) **Cet outil électrique est destiné aux applications de meulage. Lisez tous les avertissements de sécurité, les instructions, les illustrations et les spécifications fournis avec cet outil électrique.** Le non-respect des instructions suivantes peut entraîner une décharge électrique, un incendie et/ou des blessures graves.
- b) **Il n'est pas recommandé d'utiliser cet outil électrique pour des opérations telles que le ponçage, le brossage à la brosse métallique et le polissage.** L'utilisation de cet outil pour des

opérations pour lesquelles il n'a pas été conçu peut créer un danger et entraîner des blessures.

- c) **Utilisez uniquement les accessoires spécifiquement conçus et recommandés par le fabricant de l'outil.** Le simple fait qu'un accessoire puisse être branché sur votre outil électrique ne garantit pas un fonctionnement sans risque.
- d) **La vitesse nominale de l'accessoire doit être au moins égale à la vitesse maximale indiquée sur l'outil électrique.** Les accessoires dont la vitesse de rotation est supérieure à leur vitesse nominale peuvent se casser et être projetés.
- e) **Le diamètre extérieur et l'épaisseur de l'accessoire doivent correspondre à la capacité nominale de l'outil électrique.** Un accessoire mal dimensionné ne peut pas être maintenu et contrôlé de manière adéquate.
- f) **Le montage fileté d'accessoires doit être adapté au filet de l'arbre de la meuleuse. Pour les accessoires montés avec des flasques, l'alésage central de l'accessoire doit s'adapter correctement au diamètre du flasque.** Les accessoires qui ne correspondent pas aux éléments de montage de l'outil électrique seront en déséquilibre, vibreront de manière excessive et pourront provoquer une perte de contrôle.
- g) **N'utilisez jamais un accessoire endommagé. Avant chaque utilisation, inspectez les accessoires tels que les roues abrasives à la recherche de copeaux et de fissures, les plateaux porte-disque pour vérifier l'absence de fissures, de déchirures ou usure excessive, les brosses métalliques pour détecter des fils desserrés ou fissurés. En cas de chute de l'outil ou de l'accessoire, vérifiez l'absence de dommage ou installez un accessoire en bon état. Après l'inspection et l'installation d'un accessoire, placez-vous, ainsi que les spectateurs, à distance du plan de l'accessoire en rotation, et faites fonctionner l'outil à pleine puissance à vide pendant une minute.** Normalement, les accessoires endommagés se brisent pendant ce test.
- h) **Portez un équipement de protection personnelle. Selon l'application, utilisez un masque facial, des gants de protection ou des lunettes de sécurité. Le cas échéant, portez un masque anti-poussière, des protections auditives, des gants et un tablier d'atelier capable d'arrêter les particules abrasives et les fragments de pièce.** La protection utilisée pour les yeux doit être capable d'arrêter les débris volants générés par diverses opérations. Le masque anti-poussière

ou le respirateur doit être capable de filtrer les particules générées par votre opération. L'exposition prolongée à une intensité sonore élevée peut entraîner une perte auditive.

- i) **Tenez les spectateurs à une bonne distance de sécurité de la zone de travail. Quiconque pénètre dans la zone de travail doit porter un équipement de protection personnelle.** Les fragments de pièce ou d'un accessoire brisé peuvent voler et causer des dégâts au-delà de la zone immédiate de l'opération.
- j) **Tenez toujours l'outil électrique par les surfaces de préhension isolées lorsque vous effectuez une opération au cours de laquelle l'accessoire de coupe peut entrer en contact avec des câbles non apparents ou le cordon d'alimentation de l'outil.** Tout contact de l'accessoire de coupe avec un fil "sous tension" peut conduire l'électricité aux pièces métalliques exposées de l'outil et exposer l'utilisateur à une décharge électrique.
- k) **Placez le cordon loin de l'accessoire en rotation.** En cas de perte de contrôle, le cordon peut être coupé ou accroché et votre main ou votre bras risque d'être tiré(e) vers l'accessoire en rotation.
- l) **Ne posez jamais l'outil électrique tant que l'accessoire n'est pas complètement arrêté.** L'accessoire rotatif peut s'accrocher à la surface et provoquer une perte de contrôle de l'outil électrique.
- m) **Ne faites pas fonctionner l'outil électrique pendant que vous le transportez à côté de vous.** En cas de contact accidentel avec l'accessoire rotatif, ce dernier peut arracher vos vêtements et se planter dans votre corps.
- n) **Nettoyez régulièrement les ouvertures d'aération de l'outil électrique.** Le ventilateur du moteur attire la poussière à l'intérieur de l'outil et l'accumulation excessive de poudre de métal peut causer des dangers électriques.
- o) **Ne faites pas fonctionner l'outil électrique à proximité de matières inflammables.** Une étincelle pourrait enflammer ces matériaux.
- p) **N'utilisez aucun accessoire nécessitant un liquide de refroidissement.** L'utilisation d'eau ou d'autres liquides de refroidissement peut entraîner une électrocution ou une décharge électrique.

Rebond et avertissements correspondants

Le rebond est une réaction soudaine due au pincement ou à l'accrochage d'une meule, d'un plateau porte-disque, d'une brosse ou de tout autre accessoire en rotation. Le pincement ou l'accrochage

provoque un blocage rapide de l'accessoire en rotation, ce qui entraîne une perte de contrôle de l'outil qui revient dans la direction opposée à la rotation de l'accessoire au point de grippage. Par exemple, si une meule abrasive est accrochée ou pincée par la pièce à ouvrir, le bord de la meule qui pénètre dans le point de pincement peut creuser la surface du matériau causant la sortie ou l'éjection de la meule. La meule peut sauter en direction de l'opérateur, ou s'en éloigner, selon le sens de rotation de la meule au point de pincement. Les meules abrasives peuvent également se briser dans ces conditions. Le rebond résulte d'une utilisation inadéquate de l'outil et/ou de procédures ou de conditions de fonctionnement incorrectes. Il peut être évité en prenant les précautions suivantes:

- a) **Tenez fermement l'outil électrique et placez votre corps et votre bras de façon à résister aux forces de rebond. Utilisez toujours la poignée auxiliaire, si elle existe, pour un contrôle maximal du rebond ou de la réaction de couple pendant le démarrage.** L'opérateur peut contrôler les réactions de couple ou les forces de rebond si les précautions qui s'imposent sont prises.
- b) **Ne placez jamais votre main à proximité de l'accessoire en rotation.** L'accessoire peut rebondir sur votre main.
- c) **Ne vous placez pas dans la zone où l'outil électrique risque de se déplacer en cas de rebond.** Le rebond propulse l'outil dans le sens opposé au mouvement de la meule au point d'accrochage.
- d) **Soyez particulièrement vigilant lorsque vous travaillez dans les coins, les arêtes vives, etc. Évitez les rebondissements et les accrochages de l'accessoire.** Les coins, les arêtes vives ou les rebondissements ont tendance à accrocher l'accessoire en rotation et à entraîner une perte de contrôle ou un rebond.
- e) **Ne montez pas de chaîne, de lame de sculpture sur bois ou de lame de scie crantée sur l'outil.** Ces lames provoquent des rebonds fréquents et entraînent la perte de contrôle de l'outil.

AVERTISSEMENTS DE SÉCURITÉ SPÉCIFIQUES AUX OPÉRATIONS DE MEULAGE ET DE DÉCOUPAGE À L'ABRASIF

- a) **Utilisez uniquement les types de meule recommandés pour votre outil électrique, ainsi que le carter de protection spécialement conçu pour la meule choisie.** Les meules qui ne sont pas

spécifiquement adaptées à l'outil électrique ne peuvent pas être correctement protégées et présentent des risques pour la sécurité.

- b) **a surface de meulage des meules à moyen déporté doit être montée sous le plan de la lèvre du protecteur.** Une meule montée de manière incorrecte qui dépasse du plan de la lèvre du protecteur ne peut pas être protégée de manière appropriée.
- c) **Le carter de protection doit être solidement fixé à l'outil électrique et positionné pour une sécurité maximale de façon à réduire au minimum la partie de la meule à laquelle l'opérateur est exposé.** Le carter de protection permet de protéger l'opérateur des fragments de meule cassée, d'un contact accidentel avec la meule et des étincelles susceptibles d'enflammer les vêtements.
- d) **Les meules doivent être utilisées uniquement pour les applications recommandées. Par exemple: ne meulez pas avec le côté d'un disque de coupe.** Les meules abrasives sont destinées au meulage périphérique, l'application de forces latérales sur ces meules peut les briser en éclats.
- e) **Utilisez toujours des flasques de meule en bon état, de taille et de forme adaptées à la meule choisie.** Les flasques servent de support à la meule, réduisant ainsi le risque de cassure. Les flasques pour meules à tronçonner peuvent être différents de ceux destinés au meulage.
- f) **N'utilisez pas les meules usagées provenant d'outils plus grands.** Les meules destinées aux outils électriques plus grands ne sont pas adaptées à la vitesse plus élevée d'un outil plus petit et risquent d'éclater.

AVERTISSEMENTS DE SÉCURITÉ ADDITIONNELS SPÉCIFIQUES AUX OPÉRATIONS DE DÉCOUPAGE À L'ABRASIF



Les opérations de tronçonnage requièrent un carter de protection spécial (non inclus) Fig. E2 - F2.

- a) **Évitez de bloquer la meule à tronçonner ou d'appliquer une pression excessive. Ne tentez pas de réaliser une coupe trop profonde.** Une pression excessive sur la meule augmente la charge et le risque de torsion ou de coincement de la meule, ainsi que le risque de rebond ou de cassure.
- b) **Ne vous placez pas dans l'alignement de la meule en rotation ni derrière celle-ci.** Lorsque la meule, au point de fonctionnement, s'éloigne de votre corps, le rebond éventuel peut

propulser la meule en rotation ainsi que l'outil électrique directement sur vous.

- c) **Lorsque la meule coince, ou lorsque vous interrompez la coupe pour une raison quelconque, mettez l'outil électrique hors tension et maintenez-le immobile jusqu'à l'arrêt complet de la meule. Ne tentez jamais de retirer le disque de coupe de la pièce lorsque la meule est en mouvement car un rebond peut se produire.** Recherchez les causes du problème et prenez des mesures correctives afin d'empêcher que la meule ne se grippe.
- d) **Ne reprenez pas l'opération de tronçonnage dans la pièce. Laissez la meule atteindre sa vitesse maximale et rentrez à nouveau doucement dans la pièce.** Si l'outil électrique est redémarré dans la pièce, la meule peut se bloquer, déraiper ou rebondir.
- e) **Prévoyez des panneaux de support ou une pièce à ouvrir de grande dimension pour minimiser les risques de rebond ou de pincement de la meule.** Les grandes pièces ont tendance à s'affaisser sous leur propre poids. Placez les supports sous la pièce à ouvrir, près de la ligne de coupe et du bord de la pièce à ouvrir, des deux côtés de la meule.
- f) **Redoublez de prudence lors de la réalisation d'une poche dans les murs ou dans une zone aveugle.** La meule saillante peut couper des canalisations de gaz ou d'eau, des câbles électriques ou des objets qui risquent de causer un rebond.

AVERTISSEMENTS DE SECURITE POUR L'ACCU

- a) **Ne pas ouvrir l'accu.** Risque de court-circuit.
- b) **Protéger l'accu de toute source de chaleur, comme p. ex. l'exposition directe au soleil, au feu, à l'eau et à l'humidité.** Il y a risque d'explosion.
- c) **En cas d'endommagement et d'utilisation non conforme de l'accu, des vapeurs peuvent s'échapper. Ventiler le lieu de travail et, en cas de malaises, consulter un médecin.** Les vapeurs peuvent entraîner des irritations des voies respiratoires.
- d) **N'utilisez l'accumulateur qu'avec votre produit Vonroc.** Ceci protège l'accumulateur contre une surcharge dangereuse.
- e) **Les objets pointus comme un clou ou un tournevis et le fait d'exercer une force extérieure sur le boîtier risque d'endommager l'accu.** Il peut en résulter un court-circuit interne et l'accu risque de s'enflammer, de dégager des fumées, d'exploser ou de surchauffer.

AVERTISSEMENTS DE SECURITE POUR LE CHARGEUR

Utilisation prévue

Chargez uniquement à l'aide de la batterie Li-ion rechargeable CD801AA ou un CD803AA. Tout autre type de batterie est susceptible d'éclater et de provoquer des blessures et des dommages matériels.

- a) **L'appareil n'est pas destiné à être utilisé par des personnes (notamment des enfants) souffrant de déficiences physiques, sensorielles ou mentales, ou par des personnes inexpérimentées ou non formées. Toute utilisation doit se faire sous la surveillance d'une personne responsable et avec les instructions appropriées.**
- b) **Même sous surveillance, les enfants ne doivent pas jouer avec l'appareil.**
- c) **Ne rechargez pas les batteries non rechargeables!**
- d) **Veuillez effectuer la recharge des batteries dans un endroit bien ventilé!**

SÉCURITÉ ÉLECTRIQUE



Vérifiez si la tension d'alimentation électrique correspond bien à celle de la plaque signalétique.

- N'utilisez pas la machine si le câble secteur ou la fiche secteur est endommagé.
- Utilisez uniquement des rallonges adaptées à la puissance nominale de la machine et d'une section minimum de 1,5 mm². Si vous utilisez une bobine de rallonge, déroulez toujours complètement le câble.

2. INFORMATIONS RELATIVES À LA MACHINE


Utilisation prévue


Cette perceuse-visseuse sans fil est conçue pour le vissage/dévisage des vis, ainsi que pour le perçage dans le bois, le métal et le plastique.

SPÉCIFICATIONS TECHNIQUES

N° de modèle	S2_AG501DC
Tension	20V
Vitesse à vide	8.000/min
Meule	
Diamètre:	115 mm
Trou d'axe:	22,2 mm
Filetage d'axe	M14

Poids	1,55 kg
Niveau de pression acoustique L_{PA}	75,7 dB(A), K=3dB(A)
Niveau d'intensité acoustique L_{WA}	86,7 dB(A), K=3dB(A)
Vibrations $a_{h,AG}$	5,642 m/s ² , K=1,5 m/s ²

N° de modèle	CD801AA
Type de batterie	Lithium-Ion
Tension	20V 
Capacité	2,0 Ah
Chargeurs recommandés	CD802AA
Poids	0,3 kg

N° de modèle	CD802AA
Entrée chargeur	220-240V, 50Hz 0,4A
Sortie chargeur	21V  2,5A
Durée de charge 2Ah Batterie	60 minutes
Durée de charge 4Ah Batterie	120 minutes
Accus recommandés	CD801AA, CD803AA
Poids	0,36 kg



Portez une protection auditive.

N'utilisez que les batteries suivantes de la plateforme Batterie VONROC VPOWER 20V. L'utilisation de toute autre batterie pourrait provoquer de graves blessures ou endommager l'outil.

CD801AA 20V, 2Ah Lithium-Ion
CD803AA 20V, 4Ah Lithium-Ion

Le chargeur suivant peut être utilisé pour recharger ces batteries.

CD802AA Chargeur rapide

Les batteries de la plateforme Batterie VONROC VPOWER 20V sont interchangeables pour tous les outils de la plateforme Batterie VONROC VPOWER 20V.

Niveau de vibrations

Le niveau des vibrations émises, indiqué dans ce manuel, a été mesuré conformément à la procédure décrite par la norme EN60745. Il peut être utilisé pour comparer deux outils ou pour réaliser une estimation préalable de l'exposition aux vibrations lors de l'utilisation de l'outil pour les applications mentionnées.

- L'utilisation de l'outil dans d'autres applications ou avec des accessoires différents ou mal entretenus peut considérablement augmenter le niveau d'exposition.
- La mise hors tension de l'outil et sa non-utilisation pendant qu'il est allumé peuvent considérablement réduire le niveau d'exposition.

Protégez-vous contre les effets des vibrations par un entretien correct de l'outil et de ses accessoires, en vous échauffant les mains et en organisant vos rythmes de travail.

DESCRIPTION

Les numéros dans le texte se rapportent aux schémas des pages 2 - 5.

1. Bouton de blocage de l'axe
2. Levier de déblocage du carter de protection
3. Carter de protection
4. Machine
5. Interrupteur marche/arrêt
6. Point de connexion de la poignée latérale
7. Axe
8. Poignée latérale
9. Flasque de montage
10. Disque à meuler
11. Écrou de serrage
12. Clé
13. Batterie (non inclus)
14. Bouton de déverrouillage de la batterie
15. Bouton indicateur de batterie
16. Indicateur de charge de la batterie
17. Chargeur
18. Indicateurs à LED du chargeur

3. MONTAGE



Avant tous travaux sur l'outil électroportatif, sortez l'accu.



Vous devez charger la batterie avant la première utilisation.

Insertion de la batterie dans la machine (Fig. C-1)



Vérifiez que la surface extérieure de la batterie est propre et sèche avant de brancher le chargeur ou la machine.

1. Insérez la batterie (13) dans la base de la machine, comme illustré à la Fig. C-1.

2. Poussez la batterie vers l'avant jusqu'à ce qu'elle s'enclenche.

Retrait de la batterie de la machine (Fig. C-1)

1. Poussez les bouton de déverrouillage de la batterie (14)
2. Retirez la batterie de la machine, comme illustré à la Fig. C-1.

Contrôle de l'état de charge de la batterie (Fig. C-1)

- Pour vérifier l'état de charge de la batterie, appuyez brièvement sur le bouton (15) de la batterie.
- Quatre voyants indiquent le niveau de charge de la batterie. Plus il y a de voyants allumés, plus la charge est importante.
- Lorsque les voyants sont éteints cela indique que la batterie est vide et qu'elle doit être rechargée immédiatement.

Recharge de la batterie avec le chargeur (Fig. C-2)

1. Retirez la batterie (13) de la machine.
2. Retournez la batterie (13) et faites-la glisser dans le chargeur (17), comme illustré à la Fig. C-2.
3. Enfoncez la batterie tout au fond du logement.
4. Branchez la fiche du chargeur dans une prise électrique et patientez. Les indicateurs à LED sur le chargeur (18) s'allument et indiquent l'état du chargeur.

Le chargeur possède deux indicateur à LED (18) qui indique l'état du processus de charge:

État de l'indicateur à LED rouge	État de l'indicateur à LED vert	État du chargeur
Éteint	Éteint	Aucune alimentation
Éteint	Allumé	Mode veille: - Aucune batterie n'est insérée ou - La batterie est insérée, mais la charge s'est achevée
Allumé	Éteint	Batterie en cours de charge

- Il faut compter jusqu'à 60 minutes pour recharger complètement la batterie 2Ah.
- Il faut compter jusqu'à 120 minutes pour recharger complètement la batterie 4Ah.

Lorsque la batterie est entièrement chargée, débranchez le chargeur de la prise secteur et retirez la batterie du chargeur.



Quand la machine n'est pas utilisée pendant une période prolongée, il est préférable d'entreposer la batterie rechargée.

Montage du carter de protection (Fig. E et F)

1. Placez la machine sur une table avec l'axe (7) orienté vers le haut.
2. Placez le carter de protection (3) sur la tête de la machine, comme illustré à la Figure C, en veillant à ce que les cannelures du carter de protection s'insèrent dans les encoches de la tête.
3. Tournez le carter de protection dans le sens antihoraire comme illustré à la Figure D et serrez le levier de déblocage du carter de protection (2).
4. Pour ajuster la position du carter de protection, relâchez le levier (2), réglez le carter de protection sur la position souhaitée et serrez le levier pour le bloquer.

Montage et dépose du disque à meuler (Fig. D)



N'utilisez pas la machine sans le carter de protection.



Utilisez uniquement des meules tranchantes et en bon état.

- Utilisez toujours un disque adapté à cette machine, d'un diamètre de Ø 115 mm et a bore from 22.2 mm avec un alésage de 22,2 mm; l'épaisseur du disque doit être de 6 mm pour le disque à meuler et de 3 mm pour le disque à tronçonner, le disque monté ne doit pas toucher le carter de protection.

Montage

1. Placez la machine sur une table, le carter de protection (3) orienté vers le haut.
2. Montez le flasque (9) sur l'axe (7).
3. Placez le disque (10) sur l'axe (7).
4. Maintenez le bouton de blocage de l'axe (1) enfoncé et serrez fermement l'écrou de serrage (11) sur l'axe (7) à l'aide de la clé (12).

Dépose

1. Placez la machine sur une table, le carter de protection (3) orienté vers le haut.
2. Maintenez le bouton de blocage de l'axe (1)

enfoncé et desserrez l'écrou de serrage (11) à l'aide de la clé (12).

3. Déposez le disque (10) de l'axe (7).
4. Maintenez le bouton de blocage de l'axe (1) enfoncé et serrez fermement l'écrou de serrage (11) à l'aide de la clé (12).

Montage de la poignée latérale (Fig. A et G)

- La poignée latérale (8) peut être vissée à l'un des trois points de connexion prévus à cet effet (6).

4. FONCTIONNEMENT



Assurez vous que la pièce travaillée soit bien fixée ou soutenue.

Mise en marche et arrêt (Fig. B)

- Pour mettre la machine en marche en mode continu, poussez de l'interrupteur marche/arrêt (5) à droite puis l'interrupteur marche/arrêt (5) dans le sens de la meule (fig. B1).
- Pour éteindre la machine, appuyez sur la partie inférieure de l'interrupteur marche/arrêt (5) (fig. B2).
Maintenez la machine à distance de la pièce à ouvrir lors de la mise sous tension ou hors tension car le disque pourrait endommager la pièce.
- Fixez fermement la pièce à ouvrir à l'aide d'un dispositif de serrage ou de toute autre méthode pour qu'elle reste en place pendant le travail.
- Vérifiez les disques régulièrement. Les disques usés réduisent l'efficacité de la machine.
Remplacez le disque par un disque neuf lorsque cela est nécessaire.

Ébavurage (Fig. H)



Un angle d'inclinaison de 30° à 40° donnera les meilleurs résultats lors des opérations d'ébavurage. Déplacez la machine par mouvements de va-et-vient en appliquant une légère pression. Cela permet d'éviter que la pièce à ouvrir ne se décolore ou ne chauffe trop, mais aussi de prévenir la formation de rainures.



N'utilisez jamais de disques à tronçonner abrasifs pour les travaux d'ébavurage!

Tronçonnage (Fig. I)



Pour le tronçonnage, vous devez utiliser un carter de protection spécial (non inclus).

Maintenez un contact ferme avec la pièce à ouvrir afin d'éviter les vibrations, sans incliner ou appliquer de pression lors du tronçonnage. Appliquez une pression modérée adaptée au matériau sur lequel vous travaillez. Ne ralentissez pas les disques en appliquant une contrepression latéralement. La direction dans laquelle vous voulez couper est importante. La machine doit toujours travailler dans le sens opposé à celui de la coupe; donc, ne déplacez jamais la machine dans l'autre sens! La machine risque de se coincer au point de coupe en provoquant un rebond qui vous fera perdre le contrôle de l'outil.

Conseils pour une utilisation optimale

- Serrez la pièce à ouvrir. Utilisez un dispositif de serrage pour les petites pièces.
- Maintenez la machine à deux mains.
- Mettez la machine en marche.
- Attendez que la machine atteigne son régime maximum.
- Placez le disque sur la pièce à ouvrir.
- Déplacez lentement la machine le long de la pièce à ouvrir, en appuyant le disque à meuler fermement contre la pièce.
- N'exercez pas de pression excessive sur la machine. Laissez la machine faire le travail.
- Éteignez la machine et attendez son immobilisation totale avant de la reposer.

5. ENTRETIEN



Avant le nettoyage et l'entretien, mettez toujours la machine hors tension et retirez la batterie de la machine.

Nettoyez le corps de la machine régulièrement au moyen d'un chiffon doux, de préférence après chaque utilisation. Vérifiez que les ouvertures d'aération ne sont pas obstruées ni sales. Utilisez un chiffon doux légèrement humidifié avec de la mousse de savon pour nettoyer les taches persistantes. N'utilisez pas de produits de nettoyage tels que l'essence, l'alcool, l'ammoniac, etc.; ces produits peuvent endommager les parties synthétiques.

ENVIRONNEMENT



Les équipements électroniques ou électriques défectueux ou destinés à être mis au rebut doivent être déposés aux points de recyclage appropriés.

Uniquement pour les pays de l'UE

Ne jetez pas les outils électriques avec les déchets domestiques. Selon la Directive européenne 2012/19/CE relative aux déchets d'équipements électriques et électroniques et sa mise en œuvre dans le droit national, les outils électriques hors d'usage doivent être collectés séparément et mis au rebut de manière écologique.

GARANTIE

Les produits VONROC sont développés aux plus hauts standards de qualité et ils sont garantis contre les défauts de pièces et de main d'œuvre pendant la durée légale stipulée à partir de la date d'achat d'origine du produit. En cas d'une quelconque panne du produit pendant cette durée qui serait due à un défaut matériel et/ou de main d'œuvre, contactez directement VONROC.

Les circonstances suivantes ne sont pas prises en charge par la garantie:

- Des réparations ou altérations ont été effectuées ou tentées sur la machine par un centre de réparation non agréé.
- L'usure normale.
- L'outil a été maltraité, mal utilisé ou mal entretenu.
- Des pièces détachées non d'origine ont été utilisées

Ceci constitue l'unique garantie accordée par la société explicitement ou implicitement. Il n'existe aucune autre garantie, explicite ou implicite, qui peut s'étendre au delà du contenu ici présent, y compris les garanties marchandes ou d'adaptation à des fins particulières. En aucun cas VONROC ne sera tenu responsable de dommages accidentels ou consécutifs. Les solutions proposées par les revendeurs devront se limiter à la réparation ou le remplacement des éléments ou pièces non conformes.

Le produit et le manuel d'utilisation sont sujets à modifications. Les spécifications peuvent changer sans préavis.

1. INSTRUCCIONES DE SEGURIDAD

Lea las advertencias de seguridad, las advertencias de seguridad adicionales y las instrucciones adjuntas. De no respetarse las advertencias de seguridad y las instrucciones, podrían producirse descargas eléctricas, incendios y/o lesiones graves. Conserve las advertencias de seguridad y las instrucciones para su posterior consulta.

Los siguientes símbolos se utilizan en el manual de usuario o en el producto:



Lea el manual de usuario.



Denota riesgo de lesiones personales, pérdida de vida o daños a la herramienta en caso de incumplimiento de las instrucciones del presente manual.



Riesgo de choque eléctrico.



Temperatura máx. 45°C.



No arroje la batería al fuego.



No arroje la batería al agua.



*Lleve gafas de seguridad.
Lleve protección auditiva.*



Use guantes de seguridad.



Para utilizar en interiores solamente.



No use bajo la lluvia



Mantenga a los presentes a una distancia prudencial de la zona de trabajo.



No apriete el botón de bloqueo del eje mientras el motor está en funcionamiento.



Máquina de clase II - Doble aislamiento - No necesita enchufe con puesta a tierra.



Fusible cinta miniatura de tipo retardado.



Recogida selectiva de la batería de iones de litio.



No tire el producto en contenedores no apropiados.



El producto es conforme con las normas de seguridad vigentes en las Directivas Europeas.

INSTRUCCIONES GENERALES DE SEGURIDAD



PRECAUCIÓN! Lea todas las advertencias de seguridad y todas las instrucciones. Si no lo hace, el uso indebido puede acarrear cortocircuitos, fuego o lesiones graves.

Conserve estas instrucciones.

El término "herramienta eléctrica", en todas las advertencias enumeradas a continuación se refiere a su herramienta eléctrica (i nalámbrica) que funciona con una batería o a través de la red eléctrica.

1) Área de trabajo

- a) **Trabaje en un lugar limpio y bien iluminado.** Lugares no iluminados o oscuros propician accidentes.
- b) **No use herramientas eléctricas donde haya riesgo de fuego o explosión, p.ej: cerca de líquidos o gases inflamables, polvo etc.** Las herramientas eléctricas producen chispas que pueden producir la ignición de partículas de humo.
- c) **Mantenga a los niños y otras personas alejados mientras utiliza la herramienta eléctrica.** Las distracciones pueden hacer que pierda el control de la herramienta.

2) Seguridad eléctrica

- a) **Cerciórese de que las clavijas de la herramienta eléctrica están correctamente enchufadas. Nunca modifique la clavija. No utilice ningún adaptador para la clavija de una herramienta eléctrica con conexión a tierra.** Las clavijas que no se hayan cambiado y los enchufes adecuados reducen el riesgo de cortocircuitos.
- b) **Evite el contacto humano con superficies con conexiones a tierra como tubos metálicos, conductos, tubos de la calefacción, radiadores y refrigeradores.** El riesgo de cortocircuitos es mayor cuando el cuerpo está en contacto con el suelo.
- c) **No use herramientas eléctricas bajo la lluvia o en entornos húmedos.** Si entra agua en una herramienta eléctrica aumenta el riesgo de cortocircuito.
- d) **No utilice el cable para todo. Nunca utilice el cable para mover la máquina, empujarla o**

sacar la clavija del enchufe. Mantenga el cable alejado del calor, aceite, zonas cortantes o piezas en movimiento. Los cables dañados o enredados aumentan el riesgo de cortocircuito.

- e) **Use un cable alargador impermeable adecuado para exteriores cuando trabaje con la herramienta eléctrica al aire libre.** El riesgo de cortocircuito es menor si utiliza un cable alargador adecuado para exteriores.
 - f) **Si no se puede evitar el uso de la herramienta eléctrica en un lugar húmedo, use suministro protegido mediante dispositivo diferencial residual (DDR).** El uso de un DDR reduce el riesgo de choque eléctrico.
 - h) **No permita que la familiaridad adquirida con el uso frecuente de las herramientas le haga confiarse e ignorar los principios de seguridad de las herramientas.** Una acción descuidada puede causar lesiones graves en una fracción de segundo.
- ### 3) Seguridad personal
- a) **No se descuide, preste atención a lo que está haciendo y utilice el sentido común mientras trabaje con esta herramienta. No use herramientas eléctricas cuando esté cansado o esté bajo los efectos del alcohol, las drogas o los medicamentos.** Un momento de distracción, mientras utilice la herramienta eléctrica, puede provocar lesiones personales graves.
 - b) **Use equipo de protección individual. Use siempre gafas protectoras.** El uso en condiciones apropiadas del equipo de seguridad como por ejemplo: mascarilla antipolvo, zapatos antideslizantes de seguridad, casco o protección para los oídos, disminuye el riesgo de sufrir lesiones personales.
 - c) **Evite arranques involuntarios. Asegúrese de que el interruptor está en la posición de apagado antes de conectarlo a la fuente de electricidad.** Transportar herramientas eléctricas con el dedo puesto sobre el interruptor o enchufarlas con el interruptor encendido puede causar accidentes.
 - d) **Quite cualquier llave de ajuste antes de encender la herramienta eléctrica.** Una llave olvidada junto a una pieza móvil de la herramienta eléctrica puede provocar lesiones personales graves.
 - e) **No se estire demasiado. Mantenga siempre el equilibrio y tenga los pies en el suelo.** Esto permite un mayor control de la herramienta eléctrica en situaciones inesperadas.
 - f) **Vístase apropiadamente. No lleve prendas**

- holgadas o joyas. Mantenga su pelo, ropa y guantes alejados de las piezas móviles.** Las prendas holgadas, las joyas y el pelo largo pueden quedar atrapados en las piezas móviles.
- g) **Si se han suministrado dispositivos para la extracción y recogida de polvo asegúrese de que estos estén conectados y se utilicen correctamente.** El uso de estos dispositivos puede reducir los riesgos relacionados con el polvo.
- h) **Mantenga las asas y las superficies de agarre secas, limpias y libres de aceite y grasa.** Las asas y las superficies de agarre resbaladizas no permiten un manejo y control seguros de la herramienta en situaciones inesperadas.
- 4) Utilización y cuidados de la herramienta eléctrica**
- a) **No fuerce la herramienta eléctrica. Utilice la herramienta eléctrica adecuada para el trabajo que vaya a realizar.** Una herramienta eléctrica apropiada realizará un trabajo mejor y más seguro si se utiliza para el objetivo con el que ha sido diseñada.
- b) **No use herramientas que no pueden encenderse o apagarse con el interruptor.** Las herramientas que ya no se puedan encender y apagar son peligrosas y deben repararse.
- c) **Desenchufe la clavija de la toma de electricidad antes de realizar modificaciones, cambiar accesorios o guardar las herramientas eléctricas.** Tales medidas de seguridad preventivas reducen el riesgo de la puesta en marcha accidental.
- d) **Mantenga a los niños alejados de una herramienta eléctrica sin utilizar y no permita a personas que no estén familiarizadas con la máquina o estas instrucciones utilizar la herramienta.** La herramienta eléctrica puede ser peligrosa cuando la utilicen personas sin experiencia.
- e) **Conserve sus herramientas cuidadosamente. Verifique cualquier desalineación o agarramiento de piezas móviles, piezas dañadas y cualquier otra causa, que pudiera repercutir en el buen funcionamiento de la herramienta eléctrica. Si la herramienta está estropeada, repárela antes de utilizarla.** Muchos de los accidentes están causados por un mantenimiento insuficiente del equipo eléctrico.
- f) **Mantenga las herramientas de corte limpias y afiladas.** Sierras con esquinas cortantes con un buen mantenimiento se bloquean menos y son más fáciles de controlar.
- g) **Utilice la herramienta eléctrica, accesorios y brocas etc. Siguiendo las instrucciones atendiendo al tipo de herramienta eléctrica y tenga en cuenta las condiciones de trabajo y el tipo de trabajo que se va a realizar.** Puede ser peligroso realizar trabajos con la herramienta diferentes de aquellos para los que está diseñada.
- 5) Uso y cuidado de las herramientas alimentadas por batería**
- a) **Recargue las baterías únicamente con el cargador recomendado por el fabricante.** Un cargador que es apto para un tipo de baterías determinado puede provocar riesgo de incendio si se usa para cargar otra clase de baterías.
- b) **Use las herramientas eléctricas sólo con las baterías indicadas específicamente.** El uso de otra clase de baterías diferente puede ocasionar el riesgo de derivar en lesiones o un incendio.
- c) **Cuando el paquete de baterías no esté en uso, consérvelo retirado de objetos metálicos como sujetapapeles, monedas, llaves, clavos, tornillos o cualquier otro objeto metálico pequeño que pueda hacer puente entre las terminales.** El contacto entre las terminales de la batería puede causar quemaduras o incendio.
- d) **Bajo condiciones extremas de abuso la batería podría expulsar un líquido; evite todo contacto. Si se produjese contacto accidentalmente, lávese bien con agua. Si el líquido hace contacto con los ojos, consulte también al médico.** El líquido emanado de la batería puede causar irritaciones o quemaduras.
- e) **No utilice una batería o una herramienta que esté dañada o modificada.** Las baterías dañadas o modificadas pueden presentar un comportamiento impredecible y provocar un incendio, una explosión o riesgo de lesiones.
- f) **No exponga una batería o una herramienta al fuego o a temperatura excesiva.** La exposición al fuego o a temperaturas superiores a 130 °C puede provocar una explosión.
NOTA La temperatura "130 °C" puede sustituirse por la temperatura "265 °F".
- g) **Siga todas las instrucciones de carga y no cargue la batería o la herramienta fuera del rango de temperatura especificado en las instrucciones.** La carga incorrecta o a temperaturas fuera del rango especificado puede causar daños a la batería y aumentar el riesgo de incendio.

6) Servicio

- a) **Haga reparar su herramienta eléctrica por una persona cualificada, usando solo piezas de repuesto idénticas.** Esto garantiza que se mantenga la seguridad de la herramienta eléctrica.
- b) **Nunca repare las baterías dañadas.** El mantenimiento de las baterías debe ser realizado solo por el fabricante o los proveedores de servicio autorizados.

ADVERTENCIAS DE SEGURIDAD COMUNES PARA OPERACIONES DE DESBASTE O CORTE MEDIANTE DISCO ABRASIVO

- a) **Esta herramienta eléctrica ha sido concebida para funcionar como amoladora. Lea las advertencias de seguridad, las instrucciones, las ilustraciones y las especificaciones suministradas con la herramienta eléctrica.** Si no sigue las instrucciones detalladas abajo pueden ocasionarse descargas eléctricas, incendios y/o lesiones graves.
- b) **Se recomienda no realizar operaciones tales como lijado, cepillado y pulido con esta herramienta eléctrica.** Las operaciones para las cuales la herramienta eléctrica no fue concebida pueden ser causa de peligro y ocasionar lesiones personales.
- c) **No use accesorios que no hayan sido especialmente diseñados por el fabricante de la herramienta y que no estén recomendados por este.** Puesto que los accesorios pueden acoplarse a la herramienta eléctrica, deben asegurar un funcionamiento seguro.
- d) **La velocidad nominal del accesorio debe ser por lo menos igual a la velocidad máxima indicada en la herramienta eléctrica.** Los accesorios que funcionen más velozmente que la velocidad nominal pueden romperse y volar en pedazos.
- e) **El diámetro externo y el espesor del accesorio deben corresponder a la capacidad de potencia de la herramienta eléctrica.** Los accesorios de dimensiones incorrectas no pueden ser adecuadamente protegidos o controlados.
- f) **El montaje roscado de los accesorios debe coincidir con el eje roscado de la amoladora. Para accesorios montados por medio de bridas, el agujero del árbol del accesorio debe coincidir con el diámetro de colocación de la brida.** Los accesorios que no coincidan con el soporte de montaje de la herramienta quedarán desequilibrados, vibrarán excesivamente y pueden

ocasionar la pérdida de control.

- g) **No use accesorios dañados. Antes de cada uso controle los accesorios, por ejemplo, que los discos abrasivos no tengan virutas y cuarteaduras, que la almohadilla de apoyo no tenga fisuras o rasgaduras y no esté excesivamente desgastada, y que los cepillos no tengan alambres sueltos o desintegrados. Si la herramienta o el accesorio se caen, controle si tienen daños o instale un accesorio no dañado. Después de inspeccionar e instalar un accesorio, usted y las personas que estén cerca deben mantenerse alejadas del alcance del accesorio rotativo y se debe hacer funcionar la herramienta eléctrica a máxima velocidad en vacío durante un minuto.** Los accesorios dañados por lo general se separan durante este tiempo de prueba.
- h) **Use dispositivos de protección individual. Según la aplicación, use máscara facial, gafas protectoras u otro tipo de protector ocular. En su caso, use mascarilla contra el polvo, protectores auditivos, guantes y delantal de taller capaz de detener los pequeños fragmentos abrasivos o de piezas de trabajo.** La protección ocular debe ser capaz de detener los residuos volantes generados por las diferentes operaciones. La mascarilla o careta contra el polvo debe ser capaz de filtrar las partículas generadas durante el funcionamiento. La exposición prolongada al ruido intenso puede causar pérdida auditiva.
- i) **Mantenga a las personas ajenas alejadas de la zona de trabajo. Cualquier persona que entre a la zona de trabajo debe usar equipo de protección individual.** Los fragmentos de piezas de trabajo o de un accesorio roto pueden salir volando y ocasionar lesiones más allá de la zona inmediata de funcionamiento.
- j) **Aferre la herramienta por las superficies de agarre aisladas cuando realice alguna operación en la que el accesorio de corte pueda entrar en contacto con cables ocultos o con el propio cable.** Si el accesorio de corte entra en contacto con un cable con tensión, puede exponer las partes metálicas de la herramienta a tensión y ocasionar una descarga eléctrica al operador.
- k) **Coloque el cable de modo que no interfiera con el accesorio rotante.** Si pierde el control, el cable puede cortarse o engancharse y lo puede tirar con la mano o el brazo hacia el accesorio rotante.

- l) **Nunca apoye la herramienta eléctrica hasta que el accesorio se haya detenido completamente.** El accesorio rotante puede coger la superficie y hacerle perder el control del cable de corriente.
 - m) **No haga funcionar la herramienta eléctrica mientras la transporta consigo.** El contacto accidental con el accesorio rotante puede hacer que se enganche la ropa, tirando el accesorio hacia el cuerpo.
 - n) **Limpiar regularmente las salidas de aire de la herramienta eléctrica.** El ventilador del motor atrae el polvo hacia dentro de la carcasa y la acumulación excesiva de polvo metálico puede ocasionar riesgos eléctricos.
 - o) **No haga funcionar la herramienta eléctrica cerca de materiales inflamables.** Las chispas pueden encender estos materiales.
 - p) **No use accesorios que requieran líquidos de refrigeración.** El uso de agua y otros líquidos de refrigeración pueden ocasionar descargas eléctricas o electrocución.
- b) **Nunca coloque las manos cerca del accesorio rotatorio.** El accesorio puede rebotar en sus manos.
 - c) **No coloque el cuerpo en la zona hacia donde se puede mover la herramienta eléctrica si rebota.** El rebote impulsa la herramienta en la dirección opuesta al movimiento del disco en el punto de enganche.
 - d) **Tenga especial cuidado cuando trabaje en las esquinas, aristas, etc. Evite hacer rebotar y atascar el accesorio.** Las esquinas, aristas o contragolpes tienden a atascar el accesorio rotatorio y causan pérdida de control o rebote.
 - e) **No acople hojas de sierra de cadena para cortar madera u hojas de sierra dentada.** Estas hojas producen frecuentes rebotes y pérdida de control.

ADVERTENCIAS DE SEGURIDAD COMUNES PARA OPERACIONES DE DESBASTE O CORTE MEDIANTE DISCO ABRASIVO

Rebotes y advertencias relacionadas

El rebote es una reacción repentina a un apretón o enganchón en el disco rotatorio, plato de soporte, cepillo o cualquier otro accesorio. Los apretones o enganchones causan atascamiento del accesorio rotativo que, a su vez, hace que la herramienta eléctrica fuera de control se fuerce en la dirección contraria a la rotación del accesorio en el punto de agarrotamiento.

Por ejemplo, si el disco abrasivo engancha o aprieta la pieza de trabajo, el borde del disco que entra en el punto del apretón puede penetrar en la superficie del material haciendo que el disco se salga o expulsándolo. El disco puede saltar hacia el operador o encima de él, según sea la dirección del movimiento del disco en el punto del apretón. Los discos abrasivos también pueden romperse en estas condiciones. El rebote se produce por mal uso y/o procedimientos de funcionamiento o condiciones incorrectas y puede evitarse tomando las debidas precauciones que se indican abajo.

- a) **Mantenga aferrada firmemente la herramienta y coloque las manos y el cuerpo de modo que resistan a la fuerza de rebote. Use siempre la empuñadura auxiliar, si la hubiera, para ejercitar el máximo control contra rebote o par de reacción durante el arranque.** El operador puede controlar los pares de reacción o fuerzas de rebote si adopta las debidas precauciones.
- b) **Los discos deben utilizarse solamente para las aplicaciones recomendadas. Por ejemplo: no amole con la parte de corte del disco.** Los discos abrasivos de corte han sido diseñados para amolado periférico, si se aplica una fuerza lateral a estos discos, se pueden astillar.
- c) **Use siempre bridas de disco no dañadas y de la medida y forma correctas para el disco que haya seleccionado.** Las bridas de disco correctas soportan el disco reduciendo la posibilidad de que este se rompa. Las bridas para discos de corte pueden ser diferentes a las bridas para discos de desbaste.
- d) **No use discos abrasivos gastados de herramientas eléctricas más grandes.** Los discos para

- a) **Use solamente los tipos de discos recomendados para su herramienta eléctrica y la protección específica diseñada para el disco seleccionado.** Los discos para los que no ha sido diseñada la herramienta eléctrica no pueden protegerse adecuadamente y son inseguros.

- b) **La superficie de desbaste de discos de centro excavado deben montarse debajo del plano del protector de filo.** Un disco montado incorrectamente, que sobresale del plano del protector de filo, no puede proteger en modo adecuado.

- c) **El protector debe estar firmemente fijado a la herramienta eléctrica y posicionado para seguridad máxima, con la menor cantidad del disco expuesto hacia el operador.** El protector ayuda a proteger al operador de los fragmentos del disco cuando se rompe, el contacto accidental con el disco y las chispas que pueden encender la ropa.

- d) **Los discos deben utilizarse solamente para las aplicaciones recomendadas. Por ejemplo: no amole con la parte de corte del disco.** Los discos abrasivos de corte han sido diseñados para amolado periférico, si se aplica una fuerza lateral a estos discos, se pueden astillar.

- e) **Use siempre bridas de disco no dañadas y de la medida y forma correctas para el disco que haya seleccionado.** Las bridas de disco correctas soportan el disco reduciendo la posibilidad de que este se rompa. Las bridas para discos de corte pueden ser diferentes a las bridas para discos de desbaste.

- f) **No use discos abrasivos gastados de herramientas eléctricas más grandes.** Los discos para

herramientas eléctricas más grandes no son adecuados para la velocidad más elevada de una herramienta más pequeña y pueden romperse.

ADVERTENCIAS DE SEGURIDAD ADICIONALES PARA OPERACIONES DE CORTE ABRASIVO



Las operaciones de corte son apropiadas únicamente con un protector de seguridad especial (no incluido) fig. E2 - F2

- a) **No “atasque” el disco de corte o ejercite una presión excesiva. No intente hacer cortes de excesiva profundidad.** Someter a esfuerzo excesivo el disco abrasivo aumenta la carga y la susceptibilidad a la torsión o agarrotamiento del disco durante el corte y la posibilidad de rebote o rotura del disco.
- b) **No coloque el cuerpo en línea con el disco rotativo y detrás de él.** Cuando el disco, en el punto de funcionamiento, se aleja de su cuerpo, el posible rebote puede impulsar el disco rotante y la herramienta eléctrica directamente hacia usted.
- c) **Cuando el disco está agarrotado o interrumpe un corte por algún motivo, apague la herramienta eléctrica y manténgala inmóvil hasta que el disco se detenga completamente. Nunca intente extraer el disco de corte mientras este está en movimiento, pues puede producir un rebote.** Investigue y tome las medidas correctivas necesarias para eliminar la causa de agarrotamiento del disco.
- d) **No reinicie la operación de corte en la pieza. Deje que el disco alcance velocidad plena y vuelva a entrar con cuidado en el corte.** El disco puede agarrotarse, acercarse o rebotar si la herramienta eléctrica se reinicia en la pieza de trabajo.
- e) **Paneles de soporte o cualquier pieza sobredimensionada para minimizar el riesgo de aprietos y rebotes del disco.** Las piezas de trabajo grandes tienden a hundirse bajo su propio peso. Deben colocarse soportes debajo de la pieza de trabajo, cerca de la línea de corte y cerca del borde de la pieza a ambos lados del disco.
- f) **Use precauciones extra cuando haga un “corte de bolsillo” en paredes existentes u otras áreas invisibles.** El disco que sobresale puede cortar tubos de gas o de agua, cableados eléctricos y objetos que pueden causar rebote.

ADVERTENCIAS DE SEGURIDAD PARA LA BATERÍA

- a) **No abra la batería.** Existe peligro de cortocircuito.
- b) **Proteja la batería del calor, p. ej., de la luz solar intensa continua, los incendios, el agua y la humedad.** Peligro de explosión.
- c) **En caso de daño y uso incorrecto de la batería, esta puede emitir vapores. Ventile el área y consulte un médico si se siente mal.** Los vapores pueden irritar el sistema respiratorio.
- d) **Utilice la batería solo junto con su producto Vonroc.** Esta medida protege la batería de sobrecargas peligrosas.
- e) **La batería se puede dañar con objetos puntiagudos como clavos o destornilladores o si se somete a alguna fuerza exterior.** Puede producirse un cortocircuito interno que dé lugar a que la batería se incendie, emita humo, explote o se sobrecaliente.

ADVERTENCIAS DE SEGURIDAD PARA EL CARGADOR

Uso previsto

Cargue solo las baterías recargables CD801AA y CD803AA con el cargador. Otros tipos de baterías pueden estallar y causar lesiones y daños.

- a) **El aparato no debe ser usado por personas (incluidos niños) con capacidad física, sensorial o mental reducida, o que no tengan experiencia o conocimiento suficientes, salvo que hayan sido capacitadas o estén bajo supervisión.**
- b) **Controle que los niños no jueguen con el aparato.**
- c) **No recargue baterías no recargables.**
- d) **Durante la carga, las baterías deben colocarse en un lugar bien ventilado.**

Seguridad eléctrica



Compruebe siempre que la tensión del suministro eléctrico corresponda con la tensión de la placa de características.


- No utilice la máquina si el cable o el enchufe eléctrico han sufrido daños.
- Utilice únicamente cables alargadores que sean adecuados para la potencia nominal de la máquina con un grosor mínimo de 1,5 mm². Si utiliza un cable alargador en rollo, desenrolle totalmente el cable.


2. INFORMACIÓN DE LA MÁQUINA


Uso previsto

Su amoladora angular ha sido diseñada para amolar materiales de mampostería y acero sin usar agua. Para el corte debe usarse un protector de seguridad especial (no incluido) Fig. F2.

ESPECIFICACIONES TÉCNICAS

Modelo n.º	S2_AG501DC
Voltaje	20V 
Velocidad en vacío	8.000/min
Disco abrasivo	
Diámetro:	115 mm
Calibre:	22,2 mm
Rosca del husillo	M14
Peso	1,55 kg
Nivel de presión sonora L_{pA}	75,7 dB(A), K = 3 dB(A)
Nivel de presión acústica L_{WA}	86,7 dB(A), K = 3 dB(A)
A_h de vibraciones, A_G	5,642 m/s ² K = 1,5 m/s ²

Modelo n.º	CD801AA
Tipo de batería	Iones de litio
Voltaje	20V 
Capacidad	2,0 Ah
Cargador recomendado	CD802AA
Peso	0,3 kg

Modelo n.º	CD802AA
Entrada del cargador	220-240V, 50Hz 0,4A
Salida del cargador	21V  2,5A
Tiempo de carga de la batería de 2 Ah	60 minutos
Tiempo de carga de la batería de 4 Ah	120 minutos
Baterías recomendadas	CD801AA, CD803AA
Peso	0,36 kg



Lleve protección auditiva.

Use solo las siguientes baterías de la plataforma de baterías VONROC POWER 20V. El uso de cualquier otra batería puede causar lesiones graves o dañar la herramienta.

CD801AA 20V, 2 Ah de iones de litio
 CD803AA 20V, 4 Ah de iones de litio

Para cargar estas baterías se puede utilizar el siguiente cargador de batería.

CD802AA Cargador rápido

Las baterías de la plataforma de baterías VONROC POWER 20V son intercambiables con todas las herramientas de la plataforma de baterías VONROC POWER 20V.

Nivel de vibración

El nivel de emisión de vibraciones indicado en este manual de instrucciones ha sido medido según una prueba estándar proporcionada en EN 60745; puede utilizarse para comparar una herramienta con otra y como valoración preliminar de la exposición a las vibraciones al utilizar la herramienta con las aplicaciones mencionadas

- al utilizarla para distintas aplicaciones o con accesorios diferentes o con un mantenimiento deficiente, podría aumentar de forma notable el nivel de exposición
- en las ocasiones en que se apaga la herramienta o cuando está funcionando pero no está realizando ningún trabajo, se podría reducir el nivel de exposición de forma importante

Protéjase contra los efectos de la vibración realizando el mantenimiento de la herramienta y sus accesorios, manteniendo sus manos calientes y organizando sus patrones de trabajo.

DESCRIPCIÓN

Los números del texto se refieren a los diagramas de las páginas 2-5.

1. Botón de bloqueo del husillo
2. Palanca de liberación del protector de seguridad
3. Protector de seguridad
4. Máquina
5. Interruptor de Encendido/Apagado
6. Punto de anclaje de la empuñadura lateral
7. Husillo
8. Empuñadura lateral
9. Brida de montaje
10. Disco de rueda (no incluido)
11. Tuerca de sujeción
12. Llave
13. Batería
14. Botón de desbloqueo de la batería

15. Botón de indicadores LED de batería
16. Indicadores LED de la batería
17. Cargador
18. Indicadores LED del cargador

3. MONTAJE



Antes de realizar cualquier trabajo en la herramienta eléctrica, extraiga la batería.



Debe cargarse la batería antes de usar la máquina por primera vez.

Instalación de la batería en la máquina (Fig. C-1)



Compruebe que la parte exterior de la batería esté limpia y seca antes de colocarla en el cargador o en la máquina.

1. Inserte la batería (13) en la base de la máquina como se muestra en la Fig. C-1.
2. Pulse la batería más hacia delante hasta que haga clic en su sitio.

Extracción de la batería de la máquina (Fig. C-1)

1. Presione el botón de desbloqueo de la batería (14)
2. Extraiga la batería de la máquina como se muestra en la Fig. C-1.

Comprobación del estado de carga de la batería (Fig. C-2)

- Para comprobar el estado de carga de la batería, apriete brevemente el botón (15) de la batería.
- La batería tiene 3 luces que indican el nivel de carga, cuantas más luces estén encendidas, más batería queda.
- Cuando las luces están apagadas significa que la batería está vacía y debe cargarse inmediatamente.

Carga de la batería con el cargador (Fig. C-2)

1. Extraiga la batería (13) de la máquina.
2. Dé vuelta la batería (13) y deslícela en el cargador (17) como se muestra en la Fig C-2.
3. Empuje la batería hasta que quede totalmente colocada en la ranura.
4. Enchufe el enchufe del cargador en una toma de corriente eléctrica y espere un poco. Los indicadores de LED del cargador (18) se encenderán y mostrarán el estado del cargador.

El cargador tiene 2 indicadores de LED (18) que indican el estado del proceso de carga:

LED de estado ROJO	LED de estado verde	Estado de la carga
Desactivado	Desactivado	Sin alimentación
Desactivado	Activado	Modo espera: - No hay ninguna batería insertada o, - Se ha insertado la batería pero el proceso de carga ha finalizado
Activado	Desactivado	Carga de la batería en curso

- La carga completa de la batería de 2 Ah puede llevar hasta 60 minutos.
- La carga completa de la batería de 4 Ah puede llevar hasta 120 minutos.

Después de que la batería esté totalmente cargada, desenchufe el enchufe del cargador de la toma de corriente y extraiga la batería del cargador.



Cuando la no vaya a utilizarse la máquina durante un período de tiempo prolongado, es conveniente guardar la batería cargada.

Montaje del protector de seguridad (Fig. E y F)

1. Coloque la máquina sobre una mesa con el husillo (7) mirando hacia arriba.
2. Coloque el protector de seguridad (3) sobre la cabeza de la máquina como se muestra en la figura E, asegurándose de que los rebordes del protector de seguridad coincidan con las muescas de la cabeza de la máquina.
3. Gire el protector de seguridad en sentido antihorario como se muestra en la figura F y apriete la palanca de liberación del protector de seguridad (2).
4. Puede ajustar la posición del protector de seguridad liberando la palanca (2), ajustando el protector en la posición deseada y apretando la palanca para bloquearlo.

Montaje y desmontaje del disco de rueda (Fig. D)



Nunca intente usar la máquina sin el protector.



Utilice únicamente discos de rueda afilados y sin dañar.

- Use siempre un disco de rueda apto para esta máquina, de 115 mm de diámetro y 22.2 mm de calibre. El espesor del disco debe ser de 6 mm para el disco de rueda para la abrasión y de 3 mm para el disco de rueda para el corte. El disco de rueda de montaje no debe tocar el protector de seguridad.

Montaje

1. Coloque la máquina sobre una mesa con el protector de seguridad (3) mirando hacia arriba.
2. Monte la brida (9) en el husillo (7).
3. Coloque el disco de rueda (10) en el husillo (7).
4. Mantenga pulsado el botón de bloqueo del husillo (1) y apriete firmemente la tuerca de sujeción (11) en el husillo (7) usando la llave (12).

Extracción

1. Coloque la máquina sobre una mesa con el protector de seguridad (3) mirando hacia arriba.
2. Mantenga pulsado el botón de bloqueo del husillo (1) y afloje la tuerca de fijación (11) usando la llave (12).
3. Extraiga el disco de rueda (10) del husillo (7).
4. Mantenga pulsado el botón de bloqueo del husillo (1) y apriete bien la tuerca de sujeción (11) usando la llave (12).

Montaje de la empuñadura lateral (Fig. A y G)

- La empuñadura lateral (8) puede atornillarse en uno de los tres puntos de anclaje para la empuñadura lateral (6).

4. FUNCIONAMIENTO



Asegúrese de que la pieza de trabajo esté bien apoyada o fijada.

Encendido y apagado (Fig. B)

- Para encender la máquina en el modo continuo, deslice a la derecha el interruptor de encendido/apagado (5) y deslice el interruptor de encendido/apagado (5) en la dirección del disco abrasivo (figura B1).
- Para apagar la máquina, pulse la parte inferior del interruptor de encendido/apagado (5) (figura B2). Mantenga la máquina alejada de la pieza de trabajo cuando la encienda o la apague, ya que el disco de rueda podría dañar la pieza de trabajo.

- Fije firmemente la pieza de trabajo o use cualquier otro método para asegurarse de que no se mueve mientras la utiliza.
- Compruebe los discos regularmente. Los discos abrasivos gastados afectan a la eficiencia de la máquina. Cambie el disco de rueda con suficiente anticipación.

Desbaste (Fig. H)



Con un ángulo de inclinación de 30° a 40° se obtienen los mejores resultados de desbaste. Mueva la máquina hacia delante y hacia atrás ejerciendo una ligera presión. Esto evitará que la pieza de trabajo se descolore o se caliente demasiado y que queden acanaladuras.



Nunca use discos abrasivos de corte para trabajos de desbaste.

Corte (Fig. I)



Para el corte debe usarse un protector de seguridad cerrado especial (no incluido).

Mantenga firmemente el contacto con la pieza de trabajo para evitar vibraciones y no se incline ni ejercite demasiada presión cuando corte. Ejercite una moderada presión cuando trabaje, apropiada al material sobre el que está trabajando. No baje los discos abrasivos aplicando contrapresión en los costados. La dirección de corte es importante. La máquina siempre debe trabajar contra la dirección de corte, por lo tanto nunca mueva la máquina hacia otra dirección. Existe el riesgo de que la máquina se atasque en el corte causando rebote y le haga perder el control.

Consejos para un uso óptimo

- Sujete con mordaza la pieza de trabajo. Use un dispositivo de fijación para piezas pequeñas.
- Coja la máquina con ambas manos.
- Encienda la máquina.
- Espere a que la máquina alcance velocidad plena.
- Coloque el disco abrasivo sobre la pieza.
- Mueva lentamente la máquina a lo largo de la pieza de trabajo, empujando firmemente el disco abrasivo contra la pieza de trabajo.
- No ejercite demasiada presión sobre la máquina. Deje que la máquina haga el trabajo.
- Apague la máquina y espere a que se detenga completamente antes de apoyarla.

5. MANTENIMIENTO



Antes de realizar la limpieza y el mantenimiento, apague siempre la máquina y extraiga el paquete de baterías de la máquina.

Limpie regularmente la carcasa de la máquina con un paño suave, preferentemente después de cada uso. Compruebe que los orificios de ventilación estén libres de polvo y suciedad. Elimine el polvo persistente utilizando un paño suave humedecido con agua y jabón. No use disolventes tales como gasolina, alcohol, amoníaco, etc. Tales productos químicos pueden dañar los componentes sintéticos.

MEDIOAMBIENTE



Los aparatos eléctricos o electrónicos defectuosos y/o desechados deben recogerse en lugares de reciclado apropiado.

Solo para países de la Comunidad Europea

No elimine las herramientas eléctricas como residuos domésticos. De acuerdo con la Directiva europea 2012/19/CE sobre residuos de aparatos eléctricos y electrónicos, y su transposición a las legislaciones nacionales, las herramientas eléctricas que ya no se utilizan deben recogerse por separado y eliminarse en modo ecológico.

CONDICIONES DE GARANTÍA

Los productos VONROC han sido desarrollados con los más altos estándares de calidad y VONROC garantiza que están exentos de defectos relacionados con los materiales y la fabricación durante el periodo legalmente estipulado, a contar desde la fecha de compra original. En caso de que el producto presente defectos relacionados con los materiales y/o la fabricación durante este periodo, póngase directamente en contacto VONROC.

La presente garantía se excluye en los siguientes casos:

- Si centros de servicios no autorizados han realizado o han intentado realizar reparaciones y/o alteraciones a la máquina.
- Si se ha producido un desgaste normal.
- Si la herramienta ha sido mal tratada o usada en modo impropio, o se ha realizado incorrectamente su mantenimiento.

- Si se han utilizado piezas de repuesto no originales.

La presente constituye la única garantía implícita y explícita que ofrece la compañía. No existen otras garantías explícitas o implícitas que excedan las citadas aquí, incluidas las garantías implícitas de comerciabilidad e idoneidad para una finalidad en especial. VONROC no será considerada responsable en ningún caso por daños incidentales o consecuentes. Los recursos a disposición de los distribuidores se limitan a la reparación o a la sustitución de las unidades o piezas no conformes.

El producto y el manual de usuario están sujetos a variaciones. Las especificaciones pueden variarse sin previo aviso.

1. ISTRUZIONI DI SICUREZZA

Leggere accuratamente gli avvisi di sicurezza, gli avvisi di sicurezza aggiuntivi e le istruzioni. La mancata osservanza degli avvisi di sicurezza e delle istruzioni potrebbe causare scosse elettriche, incendio e/o gravi lesioni. Mantenere gli avvisi di sicurezza e le istruzioni a portata di mano per future consultazioni.

I seguenti simboli sono utilizzati nel presente manuale utente o sul prodotto:



Leggere il manuale per l'utente.



Denota il rischio di lesioni personali, morte o danni all'utensile in caso di mancata osservanza delle istruzioni contenute nel presente manuale.



Rischio di scosse elettriche.



Temperatura massima 45° C.



Non gettare la batteria nel fuoco.



Non gettare la batteria nell'acqua.



*Indossare occhiali di protezione.
Indossare protezioni per l'udito.*



Indossare guanti di protezione.



Solo per uso interno.



Non esporre alla pioggia



Rischio di oggetti volanti. Tenere lontano chiunque si trovi nelle vicinanze dall'area di lavoro.



Non premere il pulsante di blocco dell'albero con il motore in funzione.



Apparecchio di Classe II - Doppio isolamento - Non è necessario il collegamento a terra.



Fusibile miniaturizzato a tempo ritardato.



Raccolta differenziata per la batteria agli ioni di litio.



Non smaltire il prodotto in contenitori non idonei.



Il prodotto è conforme agli standard pertinenti in materia di sicurezza previsti dalla legislazione Europea.

REGOLE GENERALI DI SICUREZZA



ATTENZIONE! Leggere tutte le avvertenze di sicurezza e tutte le istruzioni. Se non si seguono tutte le istruzioni sotto elencate, si può incorrere in uno shock elettrico, in un incendio e/o in lesioni serie.

Conservare queste istruzioni.

Il termine "arnese elettrico" in tutti gli avvertimenti sotto elencati si riferisce al vostro arnese elettrico che funziona a corrente (con filo) o ad un arnese che funziona a pile (senza filo).

1) Area di lavoro

- Mantenere l'area di lavoro pulita e ben illuminata.** Aree buie e disordinate favoriscono gli incidenti.
- Non usare arnesi elettrici in atmosfere esplosive, come vicino ai liquidi infiammabili, gas o polveri.** Gli arnesi elettrici creano scintille che possono incendiare la polvere dei vapori.
- Tenere lontani bambini e altre persone mentre si accende l'arnese elettrico.** Le distrazioni possono farvi perdere il controllo.

2) Sicurezza elettrica

- Le spine dell'arnese elettrico devono andare bene per la presa di corrente. Non modificare mai la spina in alcun modo. Non usare alcun adattatore con arnesi elettrici a terra (messo a terra).** Spine non modificate che vanno bene per le prese di corrente ridurranno il rischio di shock elettrico.
- Evitare il contatto corporeo con superfici a terra come tubature, radiatori, fornelli e refrigeratori.** C'è un rischio maggiore di shock elettrico se il vostro corpo è a terra.
- Non esporre arnesi elettrici alla pioggia o a condizioni di umidità.** Se dell'acqua penetra nell'arnese elettrico aumenterà il rischio di shock elettrico.
- Non abusare del filo. Non usare mai il filo per trasportare, spingere o staccare dalla presa l'arnese elettrico. Tenere il filo lontano da calore, olio, bordi taglienti o parti mobili.** Fili danneggiati o aggrovigliati aumentano il rischio di shock elettrico.

- e) **Quando si accende un arnese elettrico all'aperto, usare una prolunga adatta a tale uso.** Usare un filo adatto all'uso all'aperto ridurrà il rischio di shock elettrico.
- f) **Se non è possibile evitare l'uso di un elettrotensile in ambiente umido, usare una rete di alimentazione protetta da un interruttore differenziale (salvavita).** L'uso di un salvavita riduce il rischio di scosse elettriche.
- 3) Sicurezza personale**
- a) **Stare vigili e attento quando si accende un arnese elettrico. Non usare un arnese elettrico mentre si è stanco o sotto l'effetto di droghe, alcool o medicinali.** Un momento di disattenzione mentre si accendono arnesi elettrici può causare delle gravi lesioni personali.
- b) **Usare dispositivi di protezione individuale. Indossare sempre una protezione per gli occhi.** Dispositivi di sicurezza come mascherina per la polvere, scarpe di sicurezza antiscivolo, casco, o protezioni per le orecchie usate nelle appropriate condizioni, ridurranno le lesioni personali.
- c) **Prevenire l'avvio accidentale. Assicurarsi che l'interruttore sia spento prima di collegarsi.** Trasportare elettrotensili tenendo il dito sull'interruttore di accensione o dare corrente ad elettrotensili con l'interruttore acceso può dare luogo a incidenti.
- d) **Rimuovere ogni chiave regolatrice o chiave per dadi prima di accendere l'arnese elettrico.** Una chiave per dadi o una chiave lasciata attaccata ad una parte rotante dell'arnese elettrico può provocare lesioni personali.
- e) **Cercare di mantenere l'equilibrio. Mantenere sempre un punto d'appoggio appropriato.** Questo consente un controllo migliore dell'arnese elettrico in situazioni inaspettate.
- f) **Vestirsi adeguatamente. Non indossare vestiti larghi o gioielli. Tenere lontano capelli, vestiti e guanti dalle parti mobili.** Vestiti larghi, gioielli o capelli lunghi possono essere presi nelle parti mobili.
- g) **Se vengono forniti dispositivi per la connessione dell'estrazione della polvere e attrezzature di raccolta, assicurarsi che questi siano collegati e usati correttamente.** L'uso di questi dispositivi può ridurre i rischi correlati alla polvere.
- h) **Non lasciare che la confidenza acquisita dall'uso frequente induca l'utilizzatore ad assumere comportamenti imprudenti e a ignorare i principi di sicurezza per l'utensile.** Una semplice distrazione può provocare gravi lesioni personali in una frazione di secondo.
- 4) Uso e manutenzione dell'arnese elettrico**
- a) **Non forzare l'arnese elettrico. Usare l'arnese elettrico corretto per il vostro impiego.** L'arnese elettrico corretto farà il lavoro meglio e in maniera più sicura alla velocità per la quale è stato progettato.
- b) **Non usare l'arnese elettrico se l'interruttore non si accende o non si spegne.** Ogni arnese elettrico che non può essere controllato con l'interruttore è pericoloso e deve essere riparato.
- c) **Scollegare la spina dalla sorgente di elettricità prima di fare qualsiasi regolazione, cambiare gli accessori, o conservare arnesi elettrici.** Tali misure di sicurezza preventive riducono il rischio di accendere l'arnese elettrico accidentalmente.
- d) **Conservare gli arnesi elettrici inattivi fuori dalla portata dei bambini e non permettere a persone che non hanno confidenza con l'arnese elettrico o con queste istruzioni di usare l'arnese elettrico.** Gli arnesi elettrici sono pericolosi per utenti inesperti.
- e) **Mantenere gli arnesi elettrici. Controllare il non allineamento o l'attacco di parti mobili, la rottura di parti ed ogni altra condizione che può influire sul funzionamento degli arnesi elettrici. Se è danneggiato, far riparare l'arnese elettrico prima dell'uso.** Molti incidenti sono causati da arnesi elettrici mantenuti male.
- f) **Mantenere gli arnesi da taglio affilati e puliti.** È meno probabile che si attacchino degli arnesi da taglio mantenuti correttamente con tagli affilate e questi sono anche più facili da controllare.
- g) **Usare l'arnese elettrico, gli accessori e le parti dell'arnese ecc, secondo queste istruzioni e nel modo pensato per il particolare tipo di arnese elettrico, tenendo conto delle condizioni di lavoro e del lavoro da svolgere.** L'uso dell'arnese elettrico per operazioni diverse da quelle pensate potrebbe causare situazioni pericolose.
- h) **Mantenere le impugnature e le superfici di presa asciutte, pulite e libere da olio e grasso.** Impugnature e superfici di presa scivolose non consentono di maneggiare e controllare in sicurezza l'utensile in situazioni impreviste.

- 5) Uso e manutenzione dell'utensile a batteria**
- Ricaricare l'apparecchio esclusivamente con il caricabatterie specificato dal fabbricante.** Se si utilizza un caricabatterie di diverso tipo potrebbero verificarsi incendi.
 - Utilizzare gli utensili elettrici solo con i pacchi batterie appositamente prescritti.** L'uso di pacchi batterie di diverso tipo aumenta il rischio di infortunio o incendio.
 - Quando il pacco batterie non è in uso, tenerlo lontano da oggetti metallici quali fermagli, monete, chiavi, chiodi, viti o altri piccoli oggetti metallici che potrebbero mettere in collegamento i due poli.** Se i poli vengono messi in corto circuito, la batteria potrebbe emettere scintille o fiammate.
 - In condizioni di uso scorretto, la batteria potrebbe emettere liquido: evitare pertanto di entrarvi in contatto. In caso di contatto accidentale, risciacquare con acqua. Se il liquido entra a contatto con gli occhi, consultare immediatamente un medico.** Il liquido emesso dalla batteria può causare irritazioni o ustioni.
 - Non utilizzare un pacco batterie o l'utensile se danneggiati o manomessi.** Pacchi batterie danneggiati o manomessi potrebbero avere comportamenti imprevisti con il rischio di incendiarsi, esplodere o provocare lesioni a persone.
 - Non esporre un pacco batterie o l'utensile alle fiamme o a temperature eccessivamente elevate.** L'esposizione alle fiamme o a temperature superiori a 130 °C potrebbe provocare un'esplosione. NOTA: la temperatura di "130 °C" corrisponde a "265 °F".
 - Seguire tutte le istruzioni per la ricarica e non caricare il pacco batterie o l'utensile a temperature che non rientrino nell'intervallo specificato nelle istruzioni.** Se si effettua la ricarica in modo improprio o a temperature non comprese nell'intervallo specificato, il pacco batterie potrebbe subire danni e potrebbe aumentare il rischio di incendi.
- 6) Riparazione**
- L'assistenza per l'elettro utensile deve essere prestata da un tecnico qualificato che utilizzi soltanto ricambi originali.** In questo modo viene garantita la sicurezza dell'elettro utensile.
 - Non tentare di riparare pacchi batterie danneggiati.** La riparazione dei pacchi batteria deve essere effettuata esclusivamente dal produttore o presso centri di assistenza autorizzati.

AVVERTENZE DI SICUREZZA SPECIFICHE PER LE OPERAZIONI DI MOLATURA O TAGLIO ABRASIVO

- Questo elettro utensile è inteso per l'uso come mola. Leggere tutte le avvertenze di sicurezza, le istruzioni, le illustrazioni e le specifiche tecniche fornite insieme a questo elettro utensile.** La mancata osservanza delle avvertenze di sicurezza e delle istruzioni potrebbe causare scosse elettriche, incendi e/o lesioni gravi.
- L'esecuzione di operazioni quali levigatura con abrasivi, spazzolatura e lucidatura con questo elettro utensile non è raccomandata.** L'esecuzione di operazioni non previste per l'elettro utensile potrebbe creare dei rischi e provocare lesioni personali.
- Non utilizzare accessori non progettati specificamente e non raccomandati dal costruttore dell'elettro utensile.** Il solo fatto che l'accessorio si attacchi all'elettro utensile non assicura la sicurezza operativa.
- La velocità nominale dell'accessorio deve essere almeno pari alla velocità massima indicata sull'elettro utensile.** Gli accessori che funzionano a una velocità superiore alla propria velocità nominale possono rompersi e staccarsi.
- Il diametro esterno e lo spessore dell'accessorio devono rientrare nella capacità nominale dell'elettro utensile.** Gli accessori di dimensioni non corrette non possono essere adeguatamente protetti o controllati.
- La filettatura degli accessori deve corrispondere al filetto del mandrino della smerigliatrice. Per gli accessori attaccati tramite flangia, il foro dell'albero dell'accessorio deve corrispondere al diametro della flangia.** Gli accessori il cui sistema di attacco non corrisponde alla struttura di montaggio dell'elettro utensile si sbilanciano, vibrano eccessivamente e possono causare la perdita di controllo.
- Non utilizzare un accessorio danneggiato. Prima di ogni utilizzo controllare gli accessori per verificare ad esempio che sui dischi abrasivi non vi siano scheggiature e lesioni, che non siano presenti crepe o segni eccessivi di usura sul platello, che le spazzole metalliche non abbiano filamenti metallici staccati o spezzati. Se l'elettro utensile o l'accessorio cade, verificare gli eventuali danni o montare un accessorio integro. Dopo aver controllato e montato un accessorio, l'operatore e le altre persone eventualmente presenti devono siste-**

- marsi lontano dal piano dell'accessorio rotante e l'elettrotensile deve essere fatto girare a vuoto alla massima velocità per un minuto.** Gli accessori danneggiati normalmente si rompono durante questa fase di verifica.
- h) **Indossare dispositivi di protezione individuale. A seconda delle operazioni da eseguire, utilizzare una maschera o occhiali protettivi. Se opportuno, indossare una maschera antipolvere, protezioni acustiche, guanti e un grembiule da lavoro in grado di arrestare frammenti abrasivi o di lavorazione di piccole dimensioni.** Il dispositivo di protezione oculare deve impedire ai detriti volanti prodotti durante l'esecuzione delle varie lavorazioni di raggiungere gli occhi. La maschera antipolvere o il respiratore devono essere in grado di filtrare le particelle generate durante l'esecuzione delle varie lavorazioni. L'esposizione prolungata a rumori di elevata intensità può causare la perdita dell'udito.
- i) **Tenere le persone presenti a distanza di sicurezza dall'area di lavoro. Chiunque acceda all'area di lavoro deve indossare dispositivi di protezione individuale adeguati.** Frammenti del pezzo da lavorare o di un accessorio rotto possono volare e causare danni o lesioni anche oltre l'immediata area di lavoro.
- j) **Quando si eseguono operazioni in cui l'accessorio di taglio può entrare in contatto con fili elettrici nascosti o con il cavo di alimentazione dell'elettrotensile, tenerlo esclusivamente dalle impugnature, che sono isolate.** Gli accessori da taglio che vengono a contatto con un cavo sotto tensione trasmettono la corrente elettrica anche alle parti metalliche esposte dell'elettrotensile con il pericolo di provocare la folgorazione dell'operatore.
- k) **Posizionare il cavo di alimentazione lontano dall'accessorio rotante.** In caso di perdita di controllo, il cavo potrebbe essere tagliato o impigliarsi, trascinando la mano o il braccio dell'operatore verso l'accessorio rotante.
- l) **Non appoggiare mai l'elettrotensile finché l'accessorio non si sia completamente arrestato.** L'accessorio rotante potrebbe fare presa sulla superficie e trascinare l'elettrotensile facendone perdere il controllo.
- m) **Non accendere l'elettrotensile mentre lo si trasporta sul fianco.** Un contatto accidentale con l'accessorio rotante potrebbe farlo impigliare agli indumenti dell'operatore trascinandolo verso il suo corpo.
- n) **Pulire regolarmente le prese d'aria dell'elettrotensile.** La ventola di raffreddamento del motore attira la polver all'interno dell'alloggiamento e l'accumulo eccessivo di metallo polverizzato può causare rischi elettrici.
- o) **Non utilizzare l'elettrotensile in prossimità di materiali infiammabili.** Le scintille potrebbero incendiare tali materiali.
- p) **Non utilizzare accessori che richiedono refrigeranti liquidi.** L'utilizzo di acqua o altri liquidi refrigeranti può provocare elettrocuzione o scosse elettriche.

Contraccolpo e relative avvertenze

Il contraccolpo è una reazione improvvisa provocata da un disco, un platorello, una spazzola o qualsiasi altro accessorio in rotazione che rimanga schiacciato o impigliato. Ciò provoca un arresto immediato dell'accessorio rotante che a sua volta causa la perdita di controllo dell'elettrotensile, che viene spinto nella direzione opposta rispetto alla rotazione dell'accessorio nel punto in cui è stato trattenuto. Ad esempio, se il disco abrasivo rimane schiacciato o impigliato dal pezzo da lavorare, il bordo del disco penetrato nel punto di schiacciamento può scavare nel materiale e causare lo scavalco o il contraccolpo del disco. Il disco può saltare sia verso l'operatore che in direzione opposta a seconda della direzione del movimento del disco nel punto di schiacciamento. In queste condizioni i dischi abrasivi possono anche rompersi. Il contraccolpo è il risultato di un uso errato dell'elettrotensile e/o di metodi o condizioni di lavoro scorretti e può essere evitato prendendo le appropriate precauzioni, come descritto di seguito.

- a) **Mantenere una presa salda sull'elettrotensile, posizionando il corpo e le braccia in modo da resistere alle forze di contraccolpo. Utilizzare sempre l'impugnatura ausiliaria, se presente, per avere il massimo controllo sulla forza di contraccolpo o sulla reazione di coppia durante l'avviamento.** Con le necessarie precauzioni, l'operatore può controllare le reazioni di coppia e le forze di contraccolpo.
- b) **Non porre mai le mani vicino all'accessorio in rotazione.** L'accessorio potrebbe subire un contraccolpo rimbalzando sulle mani dell'operatore.
- c) **Non posizionarsi nell'area verso cui potrebbe dirigersi l'elettrotensile in caso di contraccolpo.** Il contraccolpo spinge l'elettrotensile

nella direzione opposta al movimento del disco nel punto in cui si impiglia.

- d) **Prestare particolare attenzione quando si lavorano angoli, estremità appuntite ecc. Evitare che l'accessorio rimbalzi o si impigli.** Angoli, estremità appuntite o rimbalzi tendono a fare impigliare l'accessorio rotante, provocando la perdita di controllo o il contraccolpo dell'elettrotensile.
- e) **Non collegare una lama da motosega per legno o una lama dentata.** Queste lame creano contraccolpi e perdita di controllo frequenti.

AVVERTENZE DI SICUREZZA SPECIFICHE PER LE OPERAZIONI DI SMERIGLIATURA O TAGLIO ABRASIVO

- a) **Utilizzare esclusivamente tipi di dischi raccomandati per il proprio elettrotensile e la protezione specifica per il disco selezionato.** I dischi non concepiti per quell'elettrotensile non possono essere protetti adeguatamente e non sono sicuri.
- b) **La superficie di smerigliatura dei dischi a centro depresso deve essere montata sotto al piano della linguetta della protezione.** Non è possibile fornire una protezione adeguata a un disco non montato correttamente che sporge dal piano della linguetta della protezione.
- c) **La protezione deve essere fissata saldamente all'elettrotensile e posizionata in modo da garantire la massima sicurezza, facendo sì che il disco sporga il meno possibile verso l'operatore.** La protezione serve a proteggere l'operatore da frammenti del disco rotti, dal contatto accidentale con il disco e dalle scintille che potrebbero incendiare gli indumenti.
- d) **I dischi devono essere usati solo per eseguire le lavorazioni per cui sono raccomandate. Per esempio, non molare utilizzando il disco dal lato di taglio.** I dischi per taglio abrasivo sono progettati per la smerigliatura periferica. Forze laterali applicate a questi dischi possono causarne la frantumazione.
- e) **Per i dischi utilizzare sempre flange non danneggiate, della dimensione e forma corretta per il disco scelto.** Se le flange sono appropriate, sostengono il disco, riducendo la possibilità di rottura. Le flange per i dischi da taglio abrasivo possono essere diverse da quelle per i dischi da smerigliatura.
- f) **Non utilizzare dischi usurati di elettrotensili più grandi.** I dischi destinati ad elettrotensili

più grandi non sono adatti alle maggiori velocità degli elettrotensili più piccoli e potrebbero spaccarsi.

AVVERTENZE DI SICUREZZA AGGIUNTIVE SPECIFICHE PER LE OPERAZIONI DI TAGLIO ABRASIVO



Le operazioni di taglio abrasivo possono essere eseguite solo in presenza di una speciale protezione (non inclusa) fig. E2 - F2

- a) **Non far incastrare il disco da taglio né applicare una pressione eccessiva. Non tentare di eseguire tagli troppo profondi.** Eccessive sollecitazioni del disco ne aumentano il carico e la suscettibilità alla torsione o all'inceppamento nel taglio, con la possibilità di contraccolpi o di rotture.
- b) **Non posizionarsi con il corpo allineato al disco in rotazione e rimanere dietro di esso.** Quando il disco si muove nella direzione di allontanamento dal corpo, il possibile contraccolpo potrebbe la mola in rotazione e l'elettrotensile direttamente verso di sé.
- c) **Quando il disco si inceppa o quando un taglio si interrompe per qualsiasi ragione, spegnere l'elettrotensile e tenerlo immobile fino al suo completo arresto. Non tentare mai di rimuovere il disco da taglio mentre è in movimento, altrimenti potrebbe verificarsi un contraccolpo.** Esaminare e intraprendere azioni correttive per eliminare le cause che inceppano la lama.
- d) **Non riprendere il taglio nel pezzo in lavorazione. Far raggiungere la massima velocità al disco e poi rientrare con attenzione nel taglio.** Se l'elettrotensile viene riavviato quando è ancora dentro al pezzo in lavorazione il disco potrebbe incepparsi, scavalcare il pezzo o subire un contraccolpo.
- e) **Pannelli o altri pezzi di grandi dimensioni devono essere sorretti per ridurre al minimo il rischio che la mola si schiacci o subisca un contraccolpo.** I pezzi più grandi tendono a incurvarsi sotto il loro stesso peso. È opportuno collocare dei supporti sotto al pezzo da entrambi i lati, vicino la linea di taglio e alle estremità del pannello, da entrambi i lati del disco.
- f) **Prestare ancora più attenzione quando si eseguono "tagli a tuffo" all'interno di pareti esistenti o di altre aree cieche.** La parte sporgente del disco potrebbe tagliare tubi del gas o dell'acqua, cavi elettrici od oggetti che possono provocare un contraccolpo.

AVVERTENZE DI SICUREZZA PER LA BATTERIA

- Non aprire la batteria.** Pericolo di cortocircuito.
- Proteggere la batteria dal calore, ad esempio dalla luce solare intensa, dal fuoco, dall'acqua e dall'umidità.** Pericolo di esplosione.
- In caso di danni e uso improprio della batteria, potrebbero essere emessi dei vapori. Ventilare l'area e rivolgersi a un medico in caso di malessere.** I vapori possono irritare il sistema respiratorio.
- Utilizzare la batteria solo in combinazione con il prodotto Vonroc.** Questo accorgimento protegge la batteria da un sovraccarico pericoloso.
- La batteria può essere danneggiata da oggetti appuntiti come chiodi o cacciaviti o da una forza applicata esternamente.** Si può verificare un cortocircuito interno e la batteria potrebbe bruciare, fumare, esplodere o surriscaldarsi.

AVVERTENZE DI SICUREZZA PER IL CARICABATTERIE**Uso previsto**

Caricare solo pacchi batteria ricaricabili di tipo CD801AA e CD803AA con il caricabatterie. Batterie di tipi diversi potrebbero esplodere provocando lesioni personali e danni.

- L'apparecchio non deve essere usato da persone con capacità fisiche, sensoriali o mentali ridotte (bambini inclusi) o che non hanno alcuna esperienza o conoscenza dell'apparecchio, a meno che non siano sorvegliate o siano state istruite sull'uso del prodotto.**
- Accertarsi che i bambini non giochino con il caricabatterie.**
- Non ricaricare batterie non ricaricabili!**
- Durante la carica le batterie devono rimanere inserite nell'area adeguatamente ventilata!**

Sicurezza elettrica

Controllare sempre che la tensione di alimentazione corrisponda alla tensione indicata sulla targhetta delle caratteristiche.

- Non utilizzare l'elettrotensile quando il cavo o la spina di alimentazione sono danneggiati.
- Utilizzare esclusivamente cavi di prolunga idonei per la potenza nominale dell'elettrotensile, con conduttori di sezione minima di 1,5 mm². Quando si utilizza un cavo di prolunga con avvolgicavo, svolgere sempre completamente il cavo.

2. INFORMAZIONI RELATIVE ALL'ELETTROUTENSILE**Uso previsto**

Questa smerigliatrice angolare è stata progettata per la smerigliatura di muratura e acciaio senza l'uso di acqua. Per le operazioni di taglio deve essere utilizzata una protezione speciale (non inclusa). Fig. F2.

DATI TECNICI

Modello n.º	S2_AG501DC
Tensione	20V
Velocità a vuoto	8.000 giri/min
Diámetro	
Disco abrasivo:	115 mm
Alesaggio:	22,2 mm
Filettatura del mandrino	M14
Peso	1,55 kg
Livello di pressione sonora L _{PA}	75,7 dB(A), K=3 dB(A)
Livello di potenza sonora L _{WA}	86,7 dB(A), K=3 dB(A)
Livello di emissione di vibrazione	5,642 m/s ² K = 1,5 m/s ²

Modelo n.º	CD801AA
Tipo di batteria	Ioni di litio
Tensione	20V
Capacità	2,0 Ah
Caricabatterie consigliato	CD802AA
Peso	0,3 kg

Modelo n.º	CD802AA
Ingresso del caricabatterie	220-240V, 50Hz 0,4A
Uscita del caricabatterie	21 V 2,5A
Tempo di ricarica batteria	2Ah 60 minuti
Tempo di ricarica batteria	4Ah 120 minuti
Batterie consigliate	CD801AA, CD803AA
Peso	0,36 kg



Indossare protezioni per l'udito.

Utilizzare esclusivamente le batterie seguenti della piattaforma di batterie da 20 V VONROC POWER. L'uso di batterie diverse potrebbe causare gravi

lesioni personali o danni all'elettrotensile.

Batteria agli ioni di litio da 20 V, 2 Ah, CD801AA

Batteria agli ioni di litio da 20 V 4 Ah, CD803AA

Il caricabatterie seguente può essere usato per caricare queste batterie.

Caricabatterie rapido CD802AA

Le batterie della piattaforma di batterie da 20 V VONROC POWER sono intercambiabili con tutti gli elettrotensili con batterie della piattaforma da 20 V VONROC POWER.

Livello delle vibrazioni

Il livello di emissione delle vibrazioni indicato sul retro di questo manuale di istruzioni è stato misurato in conformità a un test standardizzato stabilito dalla norma EN60745; questo valore può essere utilizzato per mettere a confronto un l'utensile con un altro o come valutazione preliminare di esposizione alla vibrazione quando si impiega l'utensile per le applicazioni menzionate.

- se si utilizza l'utensile per applicazioni diverse, oppure con accessori differenti o in scarse condizioni, il livello di esposizione potrebbe aumentare notevolmente.
- i momenti in cui l'utensile è spento oppure è in funzione ma non viene effettivamente utilizzato per il lavoro, possono contribuire a ridurre il livello di esposizione.

Proteggersi dagli effetti della vibrazione effettuando la manutenzione dell'utensile e dei relativi accessori, mantenendo le mani calde e organizzando i metodi di lavoro.

DESCRIZIONE

I numeri che compaiono nel testo si riferiscono agli schemi riportati alle pagine 2- 5.

1. Pulsante di blocco mandrino
2. Levetta di sgancio protezione
3. Protezione
4. Elettrotensile
5. Interruttore di accensione/spegnimento
6. Punto di attacco impugnatura laterale
7. Mandrino
8. Impugnatura laterale
9. Flangia di fissaggio
10. Disco (non incluso)
11. Dado di serraggio
12. Chiave

13. Batteria

14. Pulsante di sblocco batteria

15. Pulsante per spie a LED batteria

16. Spie a LED batteria

17. Caricabatterie

18. Indicatori a LED caricabatterie

3. MONTAGGIO



Prima di compiere qualsiasi intervento sull'elettrotensile rimuovere la batteria.



Prima del primo utilizzo la batteria deve essere caricata.

Inserimento della batteria nella macchina (Fig. C-1)



Assicurarsi che la batteria sia pulita esternamente prima di collegarla al caricabatterie o alla macchina.

1. Inserire la batteria (13) nella base dell'elettrotensile, come illustrato nella Figura C-1.
2. Spingere in avanti la batteria finché scatta in posizione con un clic.

Rimozione della batteria dalla macchina (Fig. C-1)

1. Premere il pulsante di sblocco batteria (14)
2. Estrarre la batteria dalla macchina, come illustrato nella Fig. C-1.

Verifica dello stato di carica della batteria (Fig. C-2)

- Per verificare lo stato di carica della batteria, premere brevemente il pulsante (15) sulla batteria.
- La batteria presenta 3 spie che indicano il livello di carica: più spie sono accese più la batteria è carica.
- Se le spie non sono illuminate di rosso, significa che la batteria è completamente scarica e deve essere ricaricata immediatamente.

Carica della batteria con il caricabatterie (Fig. C-2)

1. Rimuovere la batteria (13) dalla macchina.
2. Capovolgere la batteria (13) e inserirla nel caricabatterie (17), come illustrato nella Fig. C-2.
3. Spingere la batteria finché si incastra nell'apposito alloggiamento.
4. Collegare la spina del caricabatterie a una presa elettrica e attendere un momento. Gli indicatori a LED sul caricabatterie (8) si illuminano e mostrano lo stato di carica della batteria.

Sul caricabatterie sono presenti 2 indicatori a LED (18) che mostrano lo stato del processo di carica:

Stato LED rosso	Stato LED verde	Stato del carica-batterie
Spento	Spento	Nessuna alimentazione
Spento	Acceso stabile	Modalità standby: - Nessuna batteria inserita oppure, - Batteria inserita ma la ricarica è terminata
Acceso stabile	Spento	Carica della batteria in corso

- Per caricare completamente la batteria da 2Ah possono essere necessari fino a 60 minuti.
- Per caricare completamente la batteria da 4Ah possono essere necessari fino a 120 minuti.

Una volta caricata la batteria, rimuovere la spina del caricabatterie dalla presa di corrente e rimuovere la batteria dal caricabatterie.



Se si prevede che la macchina non verrà usata per molto tempo si consiglia di conservare le batterie cariche.

Assemblaggio della protezione (Fig. E e F)

1. Appoggiare l'elettrotensile su un tavolo con il mandrino (7) rivolto verso l'alto.
2. Collocare la protezione (3) sopra la testa dell'elettrotensile, come illustrato nella Figura E, assicurandosi che i bordi in rilievo sulla protezione si incastrino nelle tacche della testa dell'elettrotensile.
3. Ruotare la protezione in senso antiorario come illustrato nella Figura F e serrare la levetta di sgancio della protezione (2).
4. Per regolare la posizione della protezione sganciare la levetta (2), sistemare la protezione nella posizione desiderata e serrare la levetta per bloccarla.

Inserimento e rimozione del disco (Figura D)



Non utilizzare la macchina senza la protezione.



Utilizzare esclusivamente dischi affilati e non danneggiati.

Utilizzare sempre un disco adatto per questo elettrotensile, con un diametro esterno di 115 mm e un diametro interno di 22,2 mm. Lo spessore del disco da smerigliatura deve essere di 6 mm mentre quello del disco da taglio deve essere di 3 mm. Il disco non deve toccare la protezione di sicurezza.

Montaggio

1. Appoggiare l'elettrotensile su un tavolo con la protezione (3) rivolta verso l'alto.
2. Inserire la flangia (9) sul mandrino (7).
3. Collocare il disco (10) sul mandrino (7).
4. Mantenere premuto il pulsante di blocco del mandrino (1) e stringere saldamente il dado di serraggio (11) sul mandrino (7) con la chiave (12).

Rimozione

1. Appoggiare l'elettrotensile su un tavolo con la protezione (3) rivolta verso l'alto.
2. Mantenere premuto il pulsante di blocco del mandrino (1) e allentare il dado di serraggio (11) con la chiave (12).
3. Rimuovere il disco (10) dal mandrino (7).
4. Mantenere premuto il pulsante di blocco del mandrino (1) e stringere saldamente il dado di serraggio (11) con la chiave (12).

Montaggio dell'impugnatura laterale (Fig. A e G)

L'impugnatura laterale (8) può essere avvitata in uno dei tre punti di attacco (6).

4. FUNZIONAMENTO



Assicurarsi che il pezzo in lavorazione sia sostenuto correttamente o fissato.

Accensione e spegnimento (Fig. B)

- Per accendere l'elettrotensile in modalità continua spostare l'interruttore di accensione/spengimento (5) verso destra e successivamente nella direzione del disco (Fig. B1).
- Per spegnere la macchina, premere la parte inferiore dell'interruttore di accensione/spengimento (5) (Fig. B2). Quando si accende o si spegne l'elettrotensile, mantenerlo lontano dal pezzo da lavorare, perché il disco potrebbe danneggiarlo.
- Bloccare saldamente il pezzo da lavorare in una morsa oppure utilizzare un altro metodo

per fare in modo che rimanga fermo durante la lavorazione.

- Verificare regolarmente le condizioni dei dischi. I dischi usurati incidono negativamente sull'efficienza dell'elettrotensile. Sostituire i dischi in tempo utile.

Sbavatura (Fig. H)



Un angolo d'inclinazione di 30-40° darà i migliori risultati durante l'operazione di sbavatura. Spostare l'elettrotensile indietro e avanti esercitando una leggera pressione. In questo modo si eviterà che il pezzo da lavorare si scolori o si riscaldi troppo e che si formino scanalature.



Non utilizzare dischi da taglio abrasivo per l'operazione di sbavatura.

Taglio (Fig. I)



Per le operazioni di taglio deve essere utilizzata una protezione speciale illustrata nella (non inclusa).

Mantenere una presa salda sul pezzo da lavorare per prevenire vibrazioni e non inclinare l'elettrotensile o esercitare pressione durante il taglio. Durante la lavorazione applicare una pressione moderata, adatta al materiale sul quale si sta lavorando. Non frenare i dischi applicando una contropressione laterale. La direzione in cui si desidera eseguire il taglio è importante. L'elettrotensile deve sempre funzionare nella direzione opposta a quella del taglio, perciò non muovere mai l'elettrotensile nell'altra direzione! Vi è il rischio che l'elettrotensile si incagli nel taglio provocando un contraccolpo e la conseguente perdita di controllo.

Suggerimenti per un utilizzo ottimale

- Bloccare il pezzo da lavorare in una morsa. Utilizzare un morsetto per i pezzi di piccole dimensioni.
- Tenere l'elettrotensile con entrambe le mani.
- Accendere l'elettrotensile.
- Attendere che l'elettrotensile raggiunga la velocità piena.
- Posizionare il disco sul pezzo da lavorare.
- Muovere lentamente l'elettrotensile lungo il pezzo da lavorare, premendo con decisione il disco contro il pezzo.
- Non esercitare troppa pressione sull'elettrotensile. Lasciare che l'elettrotensile svolga il lavoro.

- Spegnerne l'elettrotensile e attendere che si arresti completamente prima di appoggiarlo.

5. MANUTENZIONE



Prima di eseguire qualsiasi operazione di pulizia e intervento di manutenzione spegnere sempre l'elettrotensile e rimuovere la batteria dall'elettrotensile.

Pulire regolarmente il corpo dell'elettrotensile con un panno morbido, preferibilmente dopo ogni uso. Assicurarsi che le prese d'aria siano libere da polvere e sporizia. Rimuovere lo sporco particolarmente ostinato con un panno morbido inumidito con acqua e sapone. Non utilizzare solventi come benzina, alcol, ammoniaca, ecc. Le sostanze chimiche di questo tipo danneggiano i componenti sintetici.

AMBIENTE



Le apparecchiature elettriche o elettroniche difettose e/o scartate devono essere raccolte presso gli opportuni siti di riciclaggio.

Solo per i Paesi CE

Non smaltire gli elettrotensili insieme ai rifiuti domestici. Secondo la Direttiva europea 2012/19/EC sui rifiuti delle apparecchiature elettriche ed elettroniche e relativa implementazione nelle normative locali, gli elettrotensili ormai inutilizzabili devono essere raccolti separatamente e smaltiti in modo ecologico.

DEFINIZIONI DELLA GARANZIA

I prodotti VONROC sono sviluppati secondo i più elevati standard di qualità e viene garantita l'assenza di difetti nei materiali e nella manodopera per il periodo contrattuale a partire dalla data di acquisto originale. Qualora il prodotto dovesse subire un guasto qualsiasi durante questo periodo a causa di difetti nei materiali e/o nella manodopera, si prega di contattare direttamente il VONROC.

Le seguenti circostanze sono escluse da questa garanzia:

- Riparazioni e/o modifiche alla macchina sono state eseguite o tentate da centri di assistenza non autorizzati.
- Normale usura.

- L'utensile è stato abusato, utilizzato o manutenu-
to in modo improprio.
- Sono state utilizzate parti di ricambio non originali

Ciò costituisce l'unica garanzia espressa o implicita fornita dall'azienda. Non esistono altre garanzie espresse o implicite che si estendono oltre il presente documento, ivi comprese le garanzie implicite di commerciabilità e idoneità per uno scopo particolare. In nessun caso VONROC sarà responsabile di eventuali danni incidentali o consequenziali. I rimedi dei rivenditori saranno limitati alla riparazione o sostituzione di unità o parti non conformi.

Il prodotto e il manuale per l'utente sono soggetti a modifiche. I dati tecnici possono essere modificati senza ulteriore notifica.

1. GÜVENLİK TALİMATLARI

Ekteki güvenlik uyarılarını, ilave güvenlik uyarılarını ve talimatları okuyun. Güvenlik uyarılarını ve talimatları izlememek elektrik çarpması, yangın ve/veya ciddi yaralanma ile sonuçlanabilir. Güvenlik uyarılarını ve talimatları ilerde bakmak üzere muhafaza edin.

Aşağıdaki semboller kullanıcı kılavuzunda veya ürün üzerinde kullanılmaktadır:



Kullanıcı kılavuzunu okuyun.



Bu kılavuzdaki talimatlara uymama durumunda bedensel yaralanma, can kaybı veya alete hasat riskini belirtir.



Elektrik çarpması riski



Max 45°C

Maksimum sıcaklık 45° C



Pili ateşe atmayın



Pili suya atmayın



*Güvenlik eldivenleri giyin.
Duyma koruması takın.*



Güvenlik eldivenleri giyin.



Yalnızca kapalı mekan kullanımı



Yağmur altında kullanmayın



Uçan nesne riski. Seyircileri iş alanından uzak tutun.



Motor çalışırken mil kilidi düğmesine basmayın.



*Sınıf II makine- Çift İzolasyon -
Topraklanmış prize ihtiyacınız yok.*



Gecikmeli minyatür sigorta bağlantısı



Ürün, Avrupa yönergelerindeki geçerli güvenlik standartlarına uygundur.



Ürünü uygun olmayan kaplara atmayın.

CE Ürün, Avrupa yönergelerindeki geçerli güvenlik standartlarına uygundur.

GENEL ELEKTRIKLİ ALET GÜVENLİK UYARILARI



UYARI Tüm güvenlik uyarılarını ve tüm talimatları okuyun. Uyarılara uyulmadı ve talimatlar elektrik çarpmasına, yangına ve/veya ciddi yaralanmalara neden olabilir.

Tüm uyarıları ve talimatları gelecekte başvurmak üzere saklayın.

Uyarılardaki “elektrikli alet” terimi, şebeke elektriği ile çalışan (kablolu) elektrikli alet veya pil ile çalışan (kablesiz) elektrikli alet anlamına gelir.

1) İş aşanı güvenliği

- İş alanını temiz ve aydınlık tutun.** Dağınık veya karanlık bölgeler, kazalara davetiye çıkarır.
- Elektrikli aletleri, yanıcı sıvıların, gazların veya tozun var olduğu patlayıcı atmosferlerde kullanmayın.** Elektrikli aletler, tozu veya dumanları ateşleyebilecek kıvılcımlar oluşturur.
- Bir elektrikli aleti kullanırken, çocukları ve çevredekileri uzak tutun.** Dikkatiniz dağılırsa kontrolü kaybedebilirsiniz.

2) Elektrik güvenliği

- Elektrikli alet fişleri, prize uygun olmalıdır. Fişi, hiçbir şekilde modifiye etmeyin. Topraklı elektrikli aletlerle, herhangi bir fiş adaptörü kullanmayın.** Modifiye edilmiş fişler ve buna uygun prizler, elektrik çarpması riskini azaltır.
- Borular, radyatörler, ocaklar ve buzdolapları gibi topraklı yüzeylerle temastan kaçının.** Eğer vücudunuz topraklanmışsa, elektrik çarpması riski daha fazla olur.
- Elektrikli aletleri yağmura veya ıslaklığa maruz bırakmayın.** Bir elektrikli alete su girmesi durumunda, elektrik çarpması riski artacaktır.
- Kabloya kötü davranmayın. Kabloyu taşıma amacıyla, elektrikli aleti ya da elektrikli aletin fişini çekmek için kullanmayın. Kabloyu ısıdan, yağdan, keskin kenarlardan ya da hareketli parçalardan uzak tutun.** Hasar görmüş ya da do-laşmış kablolar, elektrik çarpması riskini artırır.
- Bir elektrikli aleti dış mekanlarda kullanırken, dış mekan kullanımına uygun bir uzatma kablosu kullanın.** Dış mekan kullanımına uygun ir kablo kullanıldığında, elektrik çarpması riski azalır.
- Elektrikli aleti nemli bir konumda çalıştırmak**

kaçınılmazsa, kaçak akım cihazı (RCD) korumalı bir kaynak kullanın. RCD kullanımı elektrik çarpması riskini azaltır.

3) Kişisel güvenlik

- Elektrikli aleti kullanırken tetikte kalın, ne yaptığınıza dikkat edin ve sağduyulu davranın. Bir elektrikli aleti yorgun olduğunuzda ya da uyuşturucu, alkol veya ilaç etkisindeyken kullanmayın.** Elektrikli aleti kullanırken bir anlık dikkatsizlik ciddi kişisel yaralanmalara neden olabilir.
- Kişisel koruyucu donanım kullanın. Her zaman göz koruması takın.** Uygun durumlar için kullanılan toz maskesi, kaymaz güvenlik ayakkabıları, baret veya kulak tıkacı gibi koruyucu donanımlar, kişisel yaralanma riskini azaltacaktır.
- Kasıtsız çalışmayı önleyin. Bir elektrik kaynağını ve/veya pil takımını bağlamadan, aleti kaldırmadan ya da taşımadan önce elektrikli aletin anahtarının kapalı durumda olduğundan emin olun.** Elektrikli aletleri parmağınız anahtar üzerindeyken taşımak veya anahtarı açık elektrikli aletleri harekete geçirmek kazalara davetiye çıkarır.
- Elektrikli aleti açık duruma getirmeden önce her türlü ayar anahtarını çıkarın.** Elektrikli aletin dönen bir parçasında kalan bir anahtar, kişisel yaralanmalara neden olabilir.
- Fazla uzanmayın. Ayaklarınızı sağlam basın ve her zaman dengeli olun.** Böylece beklenmeyen durumlarda elektrikli aleti daha iyi kontrol edebilirsiniz.
- Uygun kıyafetler giyin. Bol kıyafetler giymeyin, takılar takmayın. Saçınızı, kıyafetlerinizi ve eldivenlerinizi, hareketli parçalardan uzak tutun.** Bol kıyafetler, takılar veya uzun saç, hareketli parçalara takılabilir.
- Eğer cihazlar toz giderme ve toplama tesislerinin bağlantısı için sağlanmışsa, bunların bağlandığından ve düzgün bir şekilde kullanıldığından emin olun.** Toz toplama ile tozla ilgili tehlikeleri azaltılabilir.
- Aletlerin sık kullanılmasından edindiğiniz bilgi birikiminin sizi aşırı rehavete sürüklemesine izin vermeyin ve araç güvenliği ilkelerini göz ardı etmeyin.** Dikkatsiz bir hareket, bir saniyeden bile kısa sürede ciddi yaralanmalara neden olabilir.

4) Elektrikli alet kullanımı ve bakımı

- Elektrikli aleti zorlamayın. Uygulamanız için doğru elektrikli aleti kullanın.** Doğru elektrikli alet, tasarıma uygun olarak işi daha iyi yapacaktır.

- b) **Eğer anahtarlar açılıp kapatılmıyorsa, elektrikli aleti kullanmayın.** Anahtarla kumanda edilemeyen elektrikli aletler tehlikelidir ve tamir edilmelidir.
- c) **Herhangi bir ayar, aksesuar değişimi ya da depolama işleminden önce elektrikli aletin fişini elektrik kaynağından çıkarın ve/veya pil takımını elektrikli aletten çıkarın.** Bu tür önleyici güvenlik önlemleri, elektrikli aletin kazara çalışma riskini azaltır.
- d) **Boş durumdaki elektrikli aletleri çocukların erişemeyeceği bir yerde muhafaza edin ve elektrikli aletin nasıl çalıştığını ya da bu talimatları bilmeyen kişilerin elektrikli aleti kullanmasına izin vermeyin.** Elektrikli aletler, eğitimsiz kullanıcıların elinde tehlikeli olur.
- e) **Elektrikli aletlerin bakımını yapın. Hatalı ayarlar veya hareketli parçaların bağlanması, parça kırılmaları ve elektrikli aletin çalışmasını etkileyebilecek diğer durumlar için kontrol gerçekleştirin. Eğer herhangi bir hasar varsa, elektrikli alet kullanılmadan önce tamir edilmelidir.** Çoğu kazaya bakımı iyi yapılmayan elektrikli aletler neden olur.
- f) **Kesme aletlerini keskin ve temiz tutun.** Bakımı iyi yapılan ve keskin kenarlara sahip kesme aletlerinde donmalar daha az yaşanır ve kontrol edilmeleri daha kolay olur.
- g) **Elektrikli aleti, aksesuarlarını ve torna kalemlerini bu talimatlara uygun olarak kullanın, çalışma koşullarını ve gerçekleştirilecek olan işi dikkate alın.** Elektrikli aletin kullanım amacı dışında kullanılması, tehlikeli durumlarla sonuçlanabilir.
- h) **Tutamakları ve tutma yerlerini kuru, temiz ve yağdan arındırılmış şekilde muhafaza edin.** Kaygan tutamaklar ve tutma yerleri, beklenmedik durumlarda aletin güvenli şekilde taşınmasına ve kontrol edilmesine izin vermez.
- 5) **Pilli alet kullanımı ve bakımı**
- a) **Yalnızca üretici tarafından belirtilen şarj aletiyle şarj edin.** Bir türde pil takımı için uygun bir şarj cihazı, başka bir pil takımı ile kullanıldığında yangın riski oluşturabilir.
- b) **Elektrikli aletleri yalnızca özel olarak belirlenmiş pil takımlarıyla kullanın.** Başka pil takımlarının kullanımı yaralanma ve yangın riski oluşturabilir.
- c) **Pil takımı kullanılmadığı zamanda, ataşlar, bozuk paralar, anahtarlar, çiviler, vidalar veya diğer küçük metal nesnelere gibi bir uçtan diğerine bir bağlantı yapabilecek diğer metal nesnelere uzak tutun.** Pil uçlarını birbirine kısa devre yaptırmak yanıklara veya yangına neden olabilir.
- d) **Bozulma durumlarında pilden sıvı çıkabilir; temastan kaçının. Kazara temas gerçekleşirse, suyla yıkayın. Sıvı gözlerle temas ederse ayrıca tıbbi yardım isteyin.** Pilden çıkan sıvı tahrişe veya yanıklara neden olabilir.
- e) **Hasarlı veya üzerinde değişiklik yapılmış bir batarya veya aleti kullanmayın.** Hasarlı veya üzerinde değişiklik yapılmış bataryalar, yangın, patlama ya da yaralanma riskiyle sonuçlanan beklenmedik davranışlar sergileyebilir.
- f) **Batarya veya aleti ateşe veya aşırı sıcaklığa maruz bırakmayın.** Ateşe veya 130 °C üzeri sıcaklıklara maruz kalması patlamaya yol açabilir. NOT Sıcaklık birimi olarak kullanılan „130 °C“ yerine „265 °F“ kullanılabilir.
- g) **Tüm şarj talimatlarına uyun ve batarya veya aleti talimatlarda belirtilen sıcaklık aralığının dışındaki ortamlarda şarj etmeyin.** Yanlış şekilde veya belirtilen aralığın dışındaki sıcaklıklarda şarj etmek bataryayı zarar verebilir ve yangın riskini artırabilir.
- 6) **Servis**
- a) **Elektrikli aletinizin servis işlemlerini, yalnızca aynı yedek parçaları kullanan vasıflı bir tamircinin yapmasını sağlayın.** Bu, elektrikli aletin güvenliğinin korunmasını sağlayacaktır.
- b) **Hasarlı bataryalara asla kendiniz bakım yapmaya çalışmayın.** Bataryadaki bakım işlemleri sadece üretici veya yetkili servisler tarafından yapılmalıdır.
- TAŞLAMA VEYA AŞINDIRICI KESME İŞLEMLERİ İÇİN GÜVENLİK UYARILARI**
- a) **Bu elektrikli alet bir taşlama aleti işlevi için amaçlanmıştır. Bu elektrikli aletle birlikte sağlanan tüm güvenlik uyarılarını, talimatları, çizimleri ve spesifikasyonları okuyun.** Aşağıda listelenen tüm güvenlik uyarılarını ve talimatları izlememek elektrik çarpması, yangın ve/veya ciddi yaralanma ile sonuçlanabilir.
- b) **Zımparalama, telli fırçalama, cilalama gibi işlemlerin bu elektrikli aletle gerçekleştirilmesi önerilmemektedir.** Elektrikli aletin tasarlanmamış olmadığı işlemler bir tehlike yaratabilir ve bedensel yaralanmaya neden olabilir.
- c) **Alet üreticisi tarafından özellikle tasarlanmamış ve önerilmemiş aksesuarları kullanmayın.** Aksesuar elektrikli aletinize takılabiliyor diye güvenli işlemi garanti etmez.

- d) **Aksesuarın anma hızı elektrikli alet üzerinde işaretli maksimum hıza en azından eşit olmalıdır.** Anma hızlarından hızlı çalışan aksesuarlar kırılıp parçalanabilir.
- e) **Aksesuarınızın dış çapı ve kalınlığı elektrikli aletinizin kapasite oranı içinde olmalıdır.** Yanlış boyuttaki aksesuarlar yeterince korunamaz ve kontrol edilemez.
- f) **Aksesuarların dişli montajı öğütücü mil dişliyle eşleşmelidir. Flençlerle monte edilen aksesuarlar için, aksesuarın çark deliği flençin yerleştirme çapına uymalıdır.** Elektrikli aletin monte donanımıyla eşleşmeyen aksesuarlar dengesi- zleşecek, aşırı derecede titreyecektir ve kontrol kaybına neden olabilir.
- g) **Hasar görmüş bir aksesuarı kullanmayın. Her kullanımdan önce taşıma çarklarını aşınma ve çatlaklar, destek yastığını çatlaklar, yırtılma veya aşırı yıpranma, tel fırçasını gevşek veya çatlama teller açısından gibi aksesuarı kontrol edin. Elektrikli alet veya aksesuar düşürülürse, hasar açısından kontrol edin veya hasar görmemiş bir aksesuar takın. Bir aksesuarı kontrol ettikten ve taktıktan sonra, kendinizi ve izleyicileri dönen aksesuarın yüzeyinden uzaklaştırın ve elektrikli aleti bir dakikalığına maksimum yüksüz hızda çalıştırın.** Hasar görmüş aksesuarlar normal olarak bu test süresi içinde parçalanacaktır.
- h) **Kişisel koruyucu donanım takın. Uygulamaya bağlı olarak yüz siperi, koruyucu gözlük veya emniyet gözlüğü kullanın. Uygun görüldüğü şekilde, küçük aşındırıcı ve iş parçalarını durdurabilecek toz maskesi, duyma koruyucuları, eldivenler ve atölye önlüğü giyin.** Göz koruması çeşitli işlemler tarafından üretilen uçşan molo- zu durdurabilecek nitelikte olmalıdır. Toz maskesi veya respiratör, yaptığımız işlem tarafından üretilen parçacıkları filtre edebilmelidir. Yüksek yoğunluktaki gürültüye uzun süre maruz kalma, işitme kaybına neden olabilir.
- i) **İzleyicileri iş alanından güvenli bir mesafede tutun. Çalışma alanına giren herkes kişisel koruyucu donanım giymelidir.** İş parçası veya kırılmış bir aksesuarın parçaları fırlayabilir ve acil işlem alanının ötesinde yaralanmaya neden olabilir.
- j) **Elektrikli aleti yalnızca izole edilmiş tutma yüzeylerinden tutun, bir işlem gerçekleştirirken kesme aksesuarı gizli tellerle veya kendi kordonuyla temas edebilir.** Kesme aksesuarının “elektrikli” bir telle temas etmesi, elektrikli aletin açık metal kısımlarına “elektrik” verebilir ve operatörü elektrik çarparabilir.

- k) **Kordonu dönen aksesuardan uzağa konumlandırın.** Kontrolü kaybederseniz, kordon kesilebilir veya takılabilir ve eliniz veya kolunuz dönen aksesuara kapılabilir.
- l) **Aksesuar tamamen durana kadar elektrikli aleti asla bir yere koymayın.** Dönen aksesuar yüzeyi tutabilir ve elektrikli aleti kontrolünüzden çıkarabilir.
- m) **Yan tarafınızda taşırken elektrikli aleti çalıştırmayın.** Dönen aksesuarla kazara temas kıyafeti- nize takılabilir ve aksesuarı bedeninize çekebilir.
- n) **Elektrikli aletin havalandırma deliklerini düzenli olarak temizleyin.** Motorun fanı tozu yuvanın içine çekecektir ve toz haline gelmiş metalin aşırı birikimi elektrik tehlikelerine neden olabilir.
- o) **Elektrikli aleti alev alan maddelerin yakınında çalıştırmayın.** Kıvılcımlar bu maddeleri tutuşturabilir.
- p) **Sıvı soğutucu gerektiren aksesuarlar kullanmayın.** Su veya diğer sıvı soğutucuları kullanmak elektrik yüzünden ölüm veya elektrik çarpmasıyla sonuçlanabilir.

Geri Tepme ve İlgili Uyarılar

Geri tepme, sıkıştırılmış veya takılmış dönen çark, destek tamponu, fırça veya başka diğer aksesuara ani bir tepkidir. Sıkıştırma veya takılma dönen aksesuarın hızlı teklemesine neden olur, bu da kontrol edilmeyen elektrikli aletin bağlama noktasında aksesuarın dönüşün karşı yönünde zorlanmasına neden olur. Örneğin, bir taşıma çarkı iş parçası tarafından takılır veya sıkıştırılırsa, sıkıştırma noktasına giren çarkın kenarı çarkın yükselmesine veya atmasına neden olarak materyalin yüzeyini delebilir. Çark sıkıştırma noktasında çarkın hareketinin yönüne bağlı olarak operatöre doğru veya operatörden uzağa sıçrayabilir. Taşıma çarkları ayrıca bu koşullar altında da bozulabilir. Geri tepme elektrikli aletin hatalı kullanımı ve/veya yanlış işlem prosedürleri veya koşullarının sonucunda oluşur ve aşağıdaki gibi uygun önlemler alınarak engellenebilir.

- a) **Elektrikli aleti sıkı tutun ve bedeninizi ve kolunuzu geri tepme kuvvetlerine dayanmaya izin verecek şekilde konumlandırın. Eğer sağlandıysa çalıştırma sırasında geri tepme veya tork tepkisine karşı maksimum kontrol için her zaman yardımcı tutamağı kullanın.** Doğru önlemler alınırsa, operatör tork tepkilerini veya geri tepme kuvvetlerini kontrol edebilir.
- b) **Elinizi asla dönen aksesuarın yakınına yerleştirmeyin.** Aksesuar elinizin üzerinden geri tepebilir.

- c) **Geri tepme meydana gelirse elektrikli aletin hareket edeceği alana bedeninizi konumlandırılmayın.** Geri tepme, aleti çarkın takılma noktasındaki hareketinin aksi yönünde itecektir.
- d) **Köşelerde, keskin kenarlarda vs. çalışırken özel dikkat gösterin. Aksesuarı sallamaktan ve taktırmaktan kaçınin.** Köşeler, keskin kenarlar veya sallamak, dönen aksesuarın takılması eğilimine sahiptir ve kontrol kaybına veya geri tepmeye neden olur.
- e) **Zincir testere oyma bıçağı veya dişli testere bıçağı takmayın.** Bu tür bıçaklar sıklıkla geri tepme ve kontrol kaybı yaratır.

TAŞLAMA VEYA AŞINDIRICI KESME İŞLEMLERİ İÇİN ÖZEL GÜVENLİK UYARILARI

- a) **Yalnızca elektrikli aletiniz için önerilen çark türlerini ve seçilen çark için olarak tasarlanmış özel siperi kullanın.** Elektrikli alet için tasarlanmamış çarklar yeterince korunamaz ve emniyetsizdir.
- b) **Ortası çukur çarkların taşlama yüzeyi, siper contası düzleminin altına monte edilmelidir.** Siper contasının düzlemi içinden yansıtmaya yapan uygun olmayan bir şekilde monte edilmiş çark, yeterince korunamaz.
- c) **Siper, elektrikli alete güvenli bir şekilde takılı olmalı ve maksimum güvenlik için konumlandırılmalıdır, böylece operatör en az miktarda çarka maruz kalır.** Siper operatörü kırık çark parçalarından, giysileri tutuşturabilecek çark ve kıvılcımlarla kaza sonucu temastan korumaya yardımcı olur.
- d) **Çarklar yalnızca önerilen uygulamalar için kullanılmalıdır. Örneğin: kesme çarkının kenarıyla taşlama yapmayın.** Aşındırıcı kesme çarkları çevresel taşlama içindir, bu çarklara uygulanan yan kuvvetler onların parçalanmasına neden olabilir.
- e) **Her zaman, seçtiğiniz çark için doğru boyut ve şekilde hasar görmemiş çark flençlerini kullanın.** Uygun tekerlek flençleri çarkı destekleyerek çark kırılması olasılığını azaltır. Kesme çarkları için flençler taşlama çemberi flençlerinden farklı olabilir.
- f) **Daha büyük elektrikli aletlerin aşınmış çarklarını kullanmayın.** Daha büyük elektrikli alet için amaçlanan çark, daha küçük bir aletin daha yüksek hızı için uygun değildir ve patlayabilir.

AŞINDIRICI KESME İŞLEMLERİ İÇİN ÖZEL İLAVE GÜVENLİK UYARILARI



Kesme işlemleri yalnızca özel bir koruma siperi (dahil değildir) ile uygundur şek. E2 - F2

- a) **Kesme çarkını “sıkıştırmayın” veya aşırı basınç uygulamayın. Aşırı derinlikte bir kesim yapmaya kalkışmayın.** Çarkı aşırı germe, yüklemeyi ve kesimdeki çarkın burulmaya ve bağlanmaya duyarlılığını ve geri tepme veya çark kırılması olasılığını artırır.
- b) **Bedeninizi dönen çarkla aynı hizaya ve arkasına getirmeyin.** İşlem noktasında çark bedeninizden uzaklaşırken, olası geri tepme dönen çarkı ve elektrikli aleti doğrudan size doğru itebilir.
- c) **Çark bağlanırken veya herhangi bir nedenden ötürü bir kesimi yarıda bıraktığında, elektrikli aleti kapatın ve çark tamamen durana kadar elektrikli aleti hareketsiz tutun.** Çark hareket halindeyken kesme çarkını kesimden ayırmaya asla kalkışmayın, aksi takdirde geri tepme meydana gelebilir. Çark bağlanmasının sebebini gidermek için araştırın ve düzeltici önlem alın.
- d) **Kesme işlemini işte yeniden başlatmayın. Çarkın tam hıza ulaşmasına izin verin ve dikkatlice kesişe yeniden girin.** Elektrikli alet iş parçasında yeniden başlatılırsa çark bağlanabilir, yukarı çıkabilir veya geri tepebilir.
- e) **Çark sıkışması ve geri tepme riskini azaltmak için destek panelleri veya herhangi bir büyük iş parçası.** Büyük iş parçaları kendi ağırlıklarının altında çökme eğilimine sahiptir. Destekler iş parçasının altına, kesim hattının yakınına ve çarkın her iki tarafı üzerinde iş parçasının kenarının yakınına yerleştirilmelidir.
- f) **Mevcut duvarlara veya diğer gölgeli bölgele-re bir “cep kesimi” yaparken fazladan dikkat gösterin.** Çukuntulu çark gaz veya su borularını, elektrik kablolarını veya geri tepmeye neden olabilecek nesnelere kesebilir.

BATARYA İÇİN GÜVENLİK UYARILARI

- a) **Bataryanın içini açmayın.** Kısa devre tehlikesi.
- b) **Bataryayı ısıya, sürekli yoğun güneş ışığına, yangına, suya ve neme karşı koruyun.** Patlama tehlikesi.
- c) **Bataryanın hasar görmesi ve yanlış kullanılması durumunda duman çıkabilir. Bölgeyi havalandırın ve şikayet durumunda tıbbi yardım alın.** Duman solunum sistemini tahriş edebilir.
- d) **Bataryayı sadece Vonroc ürününüzle bağlantılı olarak kullanın.** Bu önlem tek başına bataryayı tehlikeli aşırı yüklenmeye karşı korur.

- e) **Batarya, çivi veya tornavida gibi sivri uçlu nesnelere veya dışarıdan uygulanan kuvvetten ötürü zarar görebilir.** Dahili bir kısa devre oluşabilir ve batarya yanabilir, duman çıkabilir, patlayabilir veya aşırı ısınabilir.

ŞARJ ALETİ İÇİN GÜVENLİK UYARILARI

Kullanım amacı

Şarj aleti ile yalnızca CD801AA ve CD803AA tipi Şarj edilebilir bataryaları şarj edin. Diğer pil türleri patlayarak fiziksel yaralanma ve hasara neden olabilir.

- a) **Cihaz, gözetim veya talimat verilmedikleri takdirde kısıtlı düzeyde fiziksel, duysal veya zihinsel becerilere sahip olan veya deneyim ve bilgiden yoksun bulunan kişiler (çocuklar dahil) tarafından kullanılamaz.**
- b) **Çocuklar cihazla oynamamaları için gözetim altında tutulmalıdır.**
- c) **Şarj edilebilir olmayan özellikte pilleri şarj etmeyin!**
- d) **Şarj sırasında piller iyi havalandırılmalı bir bölgeye yerleştirilmelidir!**

Elektrik güvenliği



Daima güç kaynağı geriliminin anma değerleri plakasındaki gerilime karşılık gelip gelmediğini kontrol edin.

- Güç kaynağı kablosu veya şebeke fişi hasar görmüşse makineyi kullanmayın.
- Sadece makinenin güç değerleri açısından uygun, minimum 1,5 mm² kalınlığa sahip uzatma kabloları kullanın. Bir uzatma kablosu makarası kullanıyorsanız kabloyu daima tamamen açın.

2. MAKİNE BİLGİSİ

Kullanım amacı

Açılı taşıyıcınız su kullanmadan taş ve çelik maddeleri taşlamak için tasarlanmıştır. Kesme için özel bir koruma siperi kullanılmalıdır (dahil değildir). Şek. F2.

TEKNİK SPESİFİKASYONLAR

Model No.	S2_AG501DC
Voltaj	20V
Yüksüz hız	8,000/dak
Taşlama disk	
Çap:	115 mm
İç çap:	22,2 mm

Mil dişi	M14
Ağırlık	1,55 kg
Ses basınç seviyesi L _{pa}	75,7 dB(A), K=3dB(A)
Ses gücü seviyesi L _{wa}	86,7 dB(A), K=3dB(A)
Titreşim a _{h,AG}	5,642 m/s ² , K=1,5 m/s ²

Model No	CD801AA
Pil tipi	Li-Ion
Voltajı	20V
Kapasitesi	2.0 Ah
Önerilen şarj cihazı	CD802AA
Ağırlık	0.3 kg

Model No	CD802AA
Şarj cihazı girişi	220-240V,50Hz 0,4A
Şarj cihazı çıkışı	21V 2,5A
Şarj süresi 2Ah batarya	60 dakika
Şarj süresi 4Ah batarya	120 dakika
Önerilen bataryalar	CD801AA, CD803AA
Ağırlık	0,36 kg



Duyma koruması takın.

Sadece aşağıdaki VONROC POWER 20V batarya platformuna ait bataryaları kullanın. Başka batarya kullanmak, ciddi yaralanmalara neden olabilir veya alete zarar verebilir.

CD801AA 20V, 2Ah Lityum-İyon
CD803AA 20V, 4Ah Lityum-İyon

Bu bataryaları şarj etmek için aşağıdaki şarj aleti kullanılabilir.

CD802AA Hızlı şarj aleti

VONROC POWER 20V batarya platformuna ait bataryalar, tüm VONROC POWER 20V batarya platformu aletleriyle karşılıklı değiştirilebilir.

Vibrasyon seviyesi

Bu talimat kılavuzunda belirtilen vibrasyon emisyon seviyesi EN 60745 içinde verilen bir standart teste uygun olarak ölçülmüştür; bir aleti başka bir aletle karşılaştırmak için ve aleti adı geçen uygulamalar için kullanırken bir ilk maruz kalma değerlendirmesi olarak kullanılabilir.

- aleti farklı uygulamalar için veya farklı ya da kötü bakılan aksesuarlarla kullanmak maruz kalma seviyesini büyük ölçüde artırabilir
- aletin kapalı olduğu veya çalışıp da gerçekten işi yapmadığı zamanlar maruz kalma seviyesini büyük ölçüde azaltabilir

Aletin ve aksesuarların bakımını yaparak, ellerinizi sıcak tutarak ve çalışma düzenlerinizi organize ederek vibrasyonun etkilerine karşı kendinizi koruyun

AÇIKLAMA

Metindeki numaralar sayfa 2 - 5'teki şemaları işaret etmektedir.

1. Mil kilidi düğmesi
2. Koruma siperi için ayırma kolu
3. Emniyet siperi
4. Makine
5. Açma / Kapama anahtarı
6. Yan tutamak bağlantı noktası
7. Mil
8. Yan tutamak
9. Montaj flanşı
10. Çark diski (dahil değil)
11. Sıkma somunu
12. Açık ağızlı anahtar
13. Pil
14. Pil kilidini açma düğmesi
15. Pil LED göstergeleri düğmesi
16. Pil LED göstergeleri
17. Şarj aleti
18. Şarj aleti LED göstergesi

3. MONTAJ



Elektrikli alet üzerinde herhangi bir çalışma yapmadan önce, bataryayı çıkarın.



İlk kullanımdan önce batarya şarj edilmelidir.

Bataryanın makineye takılması (Şekil C-1)



Şarj aletine veya makineye takmadan önce bataryanın dış kısmının temiz ve kuru olmasını sağlayın.

1. Bataryayı (13) Şekil C-1'de gösterildiği gibi makinenin tabanına takın.
2. Yerine oturana kadar bataryayı daha ileriye itin.

Bataryanın makineden çıkartılması (Şekil C-1)

1. Batarya kilit açma düğmesine (14) basın
2. Bataryayı, Şekil C-1'de gösterildiği gibi makineden çıkarın.

Batarya şarj durumunun kontrol edilmesi (Şekil C-2)

- Batarya şarj durumunu kontrol etmek için, batarya üzerindeki düğmeye (15) kısa süreli basın.
- Batarya, şarj seviyesini belirten 3 ışığa sahiptir, ne kadar çok ışık yanarsa, bataryada o kadar çok şarj kalmış demektir.
- Işıklar yanmıyorsa batarya boş demektir ve hemen şarj edilmelidir.

Bataryanın şarj cihazıyla şarj edilmesi (Şekil C-2)

1. Bataryayı (13) makineden çıkartın.
2. Bataryayı (13) baş aşağı konuma çevirin ve Şekil C-2'de gösterildiği gibi şarj cihazının (17) üzerine kaydırın.
3. Yuvaya tamamen itilene kadar bataryayı itin.
4. Şarj cihazı fişini bir elektrik çıkışına takın ve bir süre bekleyin. Şarj cihazı (18) üzerindeki LED göstergeleri yanacak ve şarj durumunu gösterecektir.

Şarj cihazı, şarj sürecinin durumunu gösteren 2 LED göstergesine (18) sahiptir.

Kırmızı LED Durumu	Yeşil LED Durumu	Şarj Cihazı Durumu
Kapalı	Kapalı	Güç yok
Kapalı	Açık	Bekleme modu: - Batarya yerleştirilmemiş veya, - Batarya yerleştirilmiş fakat şarj işlemi sona ermiş
Açık	Kapalı	Batarya şarja devam ediyor

- 2Ah bataryayı tam olarak şarj etmek 60 dakika sürebilir.
- 4Ah bataryayı tam olarak şarj etmek 120 dakika sürebilir.

Batarya tamamen şarj olduktan sonra şarj cihazı fişini prizden çıkarın ve bataryayı şarj cihazından çıkarın.



Makine daha uzun bir süre kullanılmadığında, bataryayı şarj edilmiş durumda saklamak en iyisidir.

Koruma siperinin takılması (Şekil E ve F)

1. Makineyi mil (7) yukarı bakacak şekilde bir masa üzerine koyun.
2. Koruma siperini (3) Şekil E'de gösterildiği üzere, koruma siperi üzerindeki çıkıntılarının makine kafasının çentiklerine yerleştiğinden emin olarak makine kafasının üzerine yerleştirin.
3. Koruma siperini Şekil F'de gösterildiği üzere saatin ters yönünde çevirin ve koruma siperi için ayırma kolunu (2) sıkın.
4. Kolu serbest bırakarak (2) koruma siperinin konumunu ayarlayabilir, siperi istenen konuma ayarlayabilir ve kilitlemek için kolu sıkabilirsiniz.

Çark diskini monte etme ve çıkarma (Şekil D)



Makineyi kesinlikle sipersiz kullanmayın.



Sadece keskin ve hasarsız taşlama disklerini kullanın.

- Bu makine için her zaman Ø 115 mm çapında ve 22,2 mm iç çapında uygun çark diskini kullanın, çark diskinin kalınlığı taşlama için çark diskini için 6 mm ve kesme için çark diskini için 3 mm olmalıdır, monte çark diskini güvenlik siperine temas etmeyebilir.

Montaj

1. Makineyi koruma siperi (3) yukarı bakacak şekilde bir masa üzerine koyun.
2. Flanşı (9) mil (7) üzerine monte edin.
3. Çark diskini (10) mil (7) üzerine yerleştirin.
4. Mil kilit düğmesini (1) basılı tutun ve somun anahtarını (12) kullanarak sıkma somununu (11) mil (7) üzerine sıkın.

Çıkarma

1. Makineyi koruma siperi (3) yukarı bakacak şekilde bir masa üzerine koyun.
2. Mil kilit düğmesini (1) basılı tutun ve somun anahtarını (12) kullanarak sıkma somununu (11) gevşetin.
3. Çark diskini (10) mil (7) üzerinden sökün.
4. Mil kilit düğmesini (1) basılı tutun ve somun anahtarını (12) kullanarak sıkma somununu (11) sıkın.

Yan tutamağın takılması (Şekil A ve G)

- Yan tutamak (8) üç adet yan tutamak bağlantı noktasından (6) birine vidalanabilir.

4. ÇALIŞTIRMA



İş parçasının düzgün şekilde desteklenmediğinden veya sabitlendiğinden emin olun.

Açma ve kapama (Şekil B)

- Makineyi sürekli moda açmak için, açma/kapama düğmesini (5) sağa doğru kaydırın ve açma/kapama düğmesini (5) taşlama diskini yönünde kaydırın (Şekil B1).
- Makineyi kapatmak için, açma/kapama düğmesinin alt kısmına basın (5) (Şekil B2). Çark diskini iş parçasına zarar verebileceğinden makineyi açıp kapatırken makineyi iş parçasından uzak tutun.
- İş parçasını iyice sıkın veya çalışırken hareket etmemesini sağlamak için başka bir yöntem kullanın.
- Diskleri düzenli olarak kontrol edin. Aşınmış çark diskleri makinenin verimliliği üzerinde olumsuz etkiye sahiptir. Zamanı gelince yeni bir çark diskisiyle değiştirin.

Çapak giderme (Şekil H)



Çapak giderirken 30° ila 40° eğim açısı en iyi sonuçları verecektir. Hafif baskı uygulayarak makineyi ileri geri hareket ettirin. Bu, iş parçasının solmasını veya fazla ısınmasını önleyecek ve koruma yapmaktan kaçınacaktır.



Çapak giderme işi için asla aşındırıcı kesme diskleri kullanmayın!

Kesme (Şekil I)



Kesme için özel bir koruma siperi kullanılmamalıdır (dahil değildir).

Vibrasyonu önlemek için iş parçasıyla sabit bir şekilde temas edin ve keserken yana yatırmayın veya basınç uygulamayın. Çalışırken orta derecede, üzerinde çalışılan malzemeye uygun basınç kullanın. Yan taraftan kaşı basınç uygulayarak çark disklerini yavaşlatmayın. Kesmek istediğiniz yön önemlidir. Makine her zaman kesim yönünün aksinde çalışmalıdır; yani makineyi diğer yöne hareket ettirmeyin! Makinenin kesime takılıp geri tepmeye neden olması ve kontrolü kaybetmeniz gibi bir risk vardır.

İdeal kullanım için ipuçları

- İş parçasını sıkın. Küçük iş parçaları için bir sıkma cihazı kullanın.
- Makineyi iki elle tutun.
- Makineyi açın.
- Makine tam hıza ulaşana dek bekleyin.
- Çark diskini iş parçası üzerine yerleştirin.
- Makineyi çark diskini iş parçasına sabit bir şekilde bastırarak iş parçası boyunca yavaşça hareket ettirin.
- Makine üzerinde çok fazla basınç uygulamayın. İş makinenin yapmasına izin verin.
- Makineyi kapatın ve makineyi bir kenara koymadan önce makinenin tamamen durmasını bekleyin.

5. BAKIM

Arızalı ve/veya atılmış elektrikli veya elektronik ekipmanların uygun geri dönüşüm konumlarında toplanması gerekir.

Makine kaplamalarını yumuşak bir bezle, tercihen her kullanımdan sonra düzenli olarak temizleyin. Havalandırma deliklerinin toz ve kirden arınmış olduğundan emin olun. Çok inatçı kirleri sabun köpüğüyle ıslatılmış yumuşak bir bezle çıkarın. Benzin, alkol, amonyak vs. gibi çözücü maddeleri kullanmayın. Bunlar gibi kimyasallar sentetik bileşenlere zarar verecektir.

ÇEVRE

Arızalı ve/veya atılmış elektrikli veya elektronik ekipmanların uygun geri dönüşüm konumlarında toplanması gerekir.

Yalnızca AT ülkeleri için

Elektrikli aletleri evsel atık olarak atmayın. Atık Elektrikli ve Elektronik Donanım için Avrupa İlkeleri 2012/19/EU'ya ve bunun yerel hukuk çerçevesinde uygulamasına göre, artık kullanılamaz olan elektrikli aletler ayrı olarak toplanmalı ve çevre dostu bir yolla imha edilmelidir.

GARANTİ

VONROC ürünleri yüksek kalite standartları doğrultusunda geliştirilmiştir ve ilk satın alımdan itibaren kanunen belirlenen süre boyunca materyal ve işçilik açısından kusursuz olacağı garanti edilmektedir. Bu

süre zarfında, kusurlu materyal ve/veya işçilikten dolayı üründe herhangi bir arıza meydana gelmesi durumunda, doğrudan VONROC iletişim kurun.

Takip eden durumlar bu garanti kapsamı dışındadır:

- Yetkisiz servis merkezleri tarafından yapılan veya yapılmaya teşebbüs edilen onarım ve/veya değişiklikler.
- Normal aşınma ve eskime.
- Cihazın kötü ve yanlış kullanılması veya cihaza yanlış bakım yapılması.
- Orijinal olmayan yedek parçaların kullanılması

Bu, şirket tarafından açık ya da zımni verilmiş tek garantiyi oluşturur. Belirli bir amaç için ticarete elverişlilik ve uygunluğun zımni garantileri dahil dış görünüşünün ötesine uzanan açık veya zımni başka hiçbir garanti yoktur. VONROC herhangi bir arıza veya dolaylı zarardan hiçbir halükarda sorumlu olmayacaktır. Bayilerin getireceği çözümler uygunsuz birimlerin veya parçaların onarımı veya değiştirilmesiyle sınırlı olacaktır.

Ürün ve kullanıcı kılavuzu değişikliğe tabidir.

Spesifikasyonlar başka bir uyarı olmaksızın değiştirilebilir.



**DECLARATION OF CONFORMITY
S2_AG501DC - ANGLE GRINDER**

- (EN) We declare under our sole responsibility that this product is in conformity with directive 2011/65/EU of the European parliament and of the council of 8 June on the restriction of the use of certain hazardous substances in electrical and electronic equipment is in conformity and accordance with the following standards and regulations:
- (DE) Der Hersteller erklärt eigenverantwortlich, dass dieses Produkt der Direktive 2011/65/ EU des Europäischen Parlaments und des Rats vom 8. Juni 2011 über die Einschränkung der Anwendung von bestimmten gefährlichen Stoffen in elektrischen und elektronischen Geräten entspricht, den folgenden Standards und Vorschriften entspricht:
- (NL) Wij verklaren onder onze volledige verantwoordelijkheid dat dit product voldoet aan de conform Richtlijn 2011/65/EU van het Europees Parlement en de Raad van 8 juni 2011 betreffende beperking van het gebruik van bepaalde gevaarlijke stoffen in elektrische en elektronische apparatuur en in overeenstemming is met de volgende standaarden en reguleringen:
- (FR) Nous déclarons sous notre seule responsabilité que ce produit est conforme aux standards et directives suivants: est conforme à la Directive 2011/65/EU du Parlement Européen et du Conseil du 8 juin 2011 concernant la limitation d'usage de certaines substances dangereuses dans l'équipement électrique et électronique.
- (ES) Declaramos bajo nuestra exclusiva responsabilidad que este producto cumple con las siguientes normas y estándares de funcionamiento: se encuentra conforme con la Directiva 2011/65/UE del Parlamento Europeo y del Consejo de 8 de junio de 2011 sobre la restricción del uso de determinadas sustancias peligrosas en los equipos eléctricos y electrónicos.
- (IT) Dichiariamo, sotto la nostra responsabilità, che questo prodotto è conforme alle normative e ai regolamenti seguenti: è conforme alla Direttiva 2011/65/UE del Parlamento Europeo e del Consiglio dell'8 giugno 2011 sulla limitazione dell'uso di determinate sostanze pericolose nelle apparecchiature elettriche ed elettroniche.
- (TR) Tek sorumlusu biz olmak üzere bu ürünün Avrupa Parlamentosunun 2011/65/EU ve 8 Haziran 2011 tarihli konseyin elektrikli ve elektronik ekipmanlarda belirlenmiş tehlikeli malzeme kullanımının kısıtlanması hakkındaki talimatları ile birlikte aşağıda belirtilen standart ve yönergelere uygun ve uyumlu olduğunu beyan ederiz:

**EN 55014-1, EN 55014-2, EN 60745-1, EN 60745-2-3, 2006/42/EC, 2011/65/EU, 2012/19/EC, 2014/30/EU
EN 62133, 2006/66/EC, 2013/56/EU, UN38.3**

Zwolle, 01-11-2019

H.G.F Rosberg
CEO

VONROC - Lingenstraat 6 - 8028 PM Zwolle - The Netherlands



VONROC®
BUILD YOUR FUTURE

©2019 VONROC
WWW.VONROC.COM

1911-25