



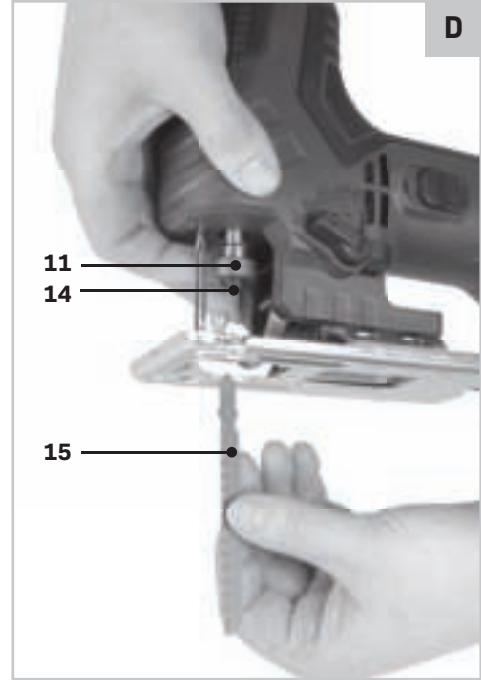
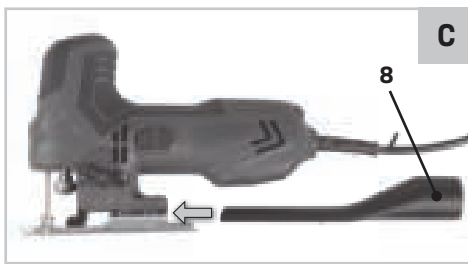
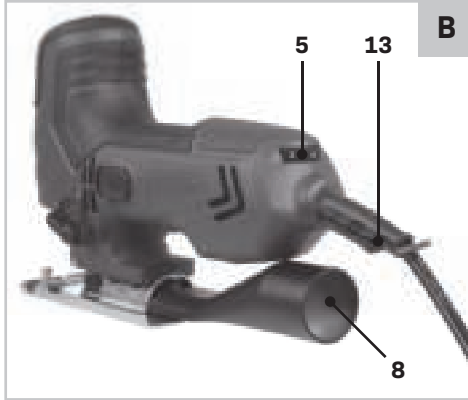
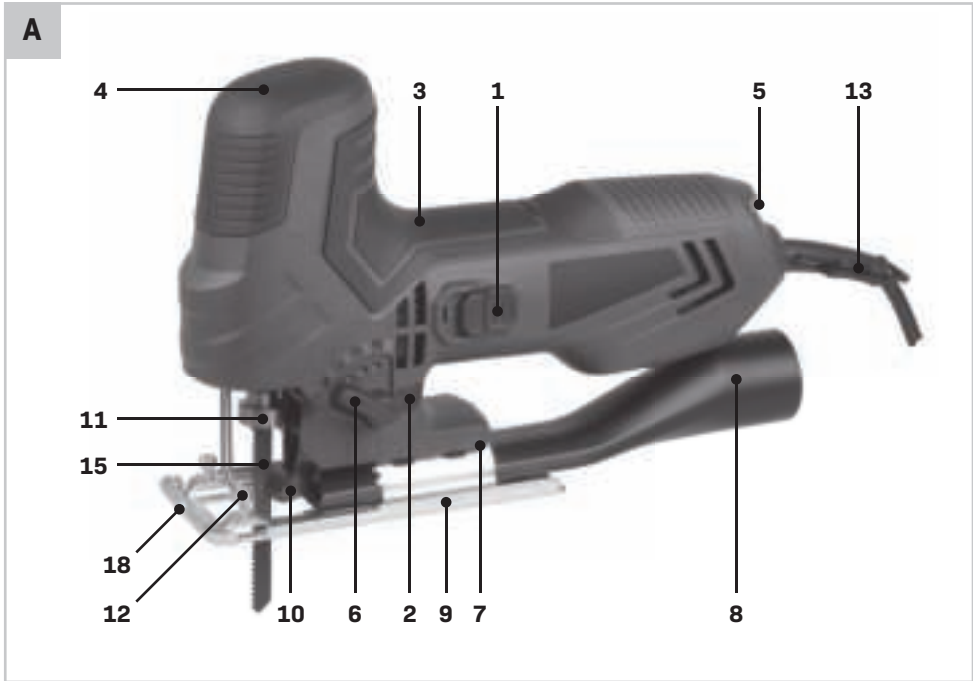
VONROC®

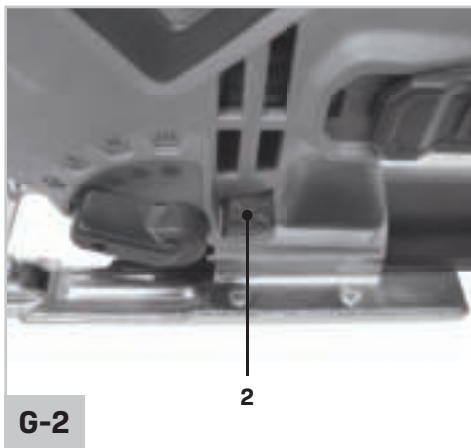
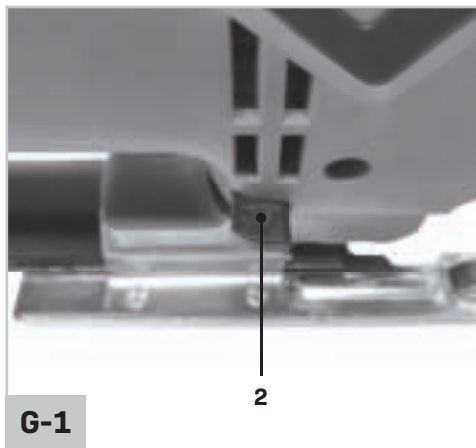
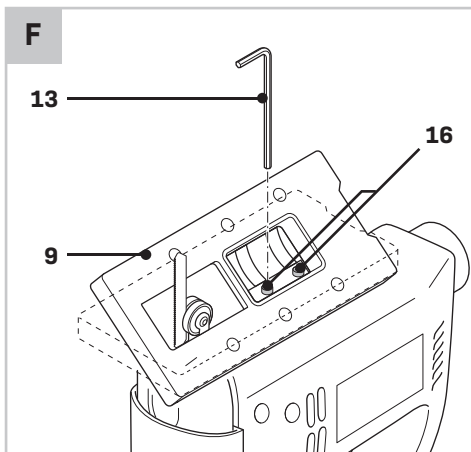
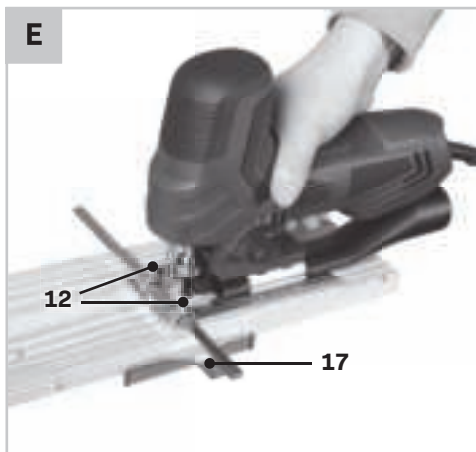
BUILD YOUR FUTURE

JIG SAW JS503AC



| | | |
|-----------|---|----|
| EN | Original Instructions | 04 |
| DE | Übersetzung Der Originalbetriebsanleitung | 09 |
| NL | Vertaling van de oorspronkelijke gebruiksaanwijzing | 15 |
| FR | Traduction de la notice originale | 21 |
| ES | Traducción del manual original | 27 |
| IT | Traduzione delle istruzioni originali | 33 |
| PL | Tłumaczenie instrukcji oryginalnej | 39 |





1. SAFETY INSTRUCTIONS

Read the enclosed safety warnings, the additional safety warnings and the instructions. Failure to follow the safety warnings and the instructions may result in electric shock, fire and/or serious injury. Save the safety warnings and the instructions for future reference.

The following symbols are used in the user manual or on the product:



Read the user manual.



Denotes risk of personal injury, loss of life or damage to the tool in case of non-observance of the instructions in this manual.



*Wear safety goggles.
Wear hearing protection.*



Do not dispose of the product in unsuitable containers.



The product is in accordance with the applicable safety standards in the European directives.

GENERAL POWER TOOL SAFETY WARNINGS



WARNING! Read all safety warnings and all instructions. Failure to follow the warnings and instructions may result in electric shock, fire and/or serious injury.

Save all warnings and instructions for future reference.

The term “power tool” in the warnings refers to your mains-operated (corded) power tool or battery-operated (cordless) power tool.

1) Work area safety

- a) **Keep the work area clean and well lit.** Cluttered or dark areas invite accidents.
- b) **Do not operate power tools in explosive atmospheres, such as in the presence of flammable liquids, gases or dust.** Power tools create sparks which may ignite the dust or fumes.
- c) **Keep children and bystanders away while operating a power tool.** Distractions can cause you to lose control.

2) Electrical safety

- a) **Power tool plugs must match the outlet. Never modify the plug in any way. Do not use any adapter plugs with earthed (grounded) power tools.** Unmodified plugs and matching outlets will reduce risk of electric shock.
- b) **Avoid body contact with earthed or grounded surfaces, such as pipes, radiators, ranges and refrigerators.** There is an increased risk of electric shock if your body is earthed or grounded.
- c) **Do not expose power tools to rain or wet conditions.** Water entering a power tool will increase the risk of electric shock.
- d) **Do not abuse the cord. Never use the cord for carrying, pulling or unplugging the power tool. Keep cord away from heat, oil, sharp edges or moving parts.** Damaged or entangled cords increase the risk of electric shock.
- e) **When operating a power tool outdoors, use an extension cord suitable for outdoor use.** Use of a cord suitable for outdoor use reduces the risk of electric shock.
- f) **If operating a power tool in a damp location is unavoidable, use a residual current device (RCD) protected supply.** Use of an RCD reduces the risk of electric shock.

3) Personal safety

- a) **Stay alert, watch what you are doing and use common sense when operating a power tool. Do not use a power tool while you are tired or under the influence of drugs, alcohol or medication.** A moment of inattention while operating power tools may result in serious personal injury.
- b) **Use personal protective equipment. Always wear eye protection.** Protective equipment such as dust mask, non-skid safety shoes, hard hat, or hearing protection used for appropriate conditions will reduce personal injuries.
- c) **Prevent unintentional starting. Ensure the switch is in the off-position before connecting to power source and/or battery pack, picking up or carrying the tool.** Carrying power tools with your finger on the switch or energising power tools that have the switch on invites accidents.
- d) **Remove any adjusting key or wrench before turning the power tool on.** A wrench or a key left attached to a rotating part of the power tool may result in personal injury.
- e) **Do not overreach. Keep proper footing and balance at all times.** This enables better control

of the power tool in unexpected situations.

- f) **Dress properly. Do not wear loose clothing or jewellery. Keep your hair, clothing and gloves away from moving parts.** Loose clothes, jewellery or long hair can be caught in moving parts.
 - g) **If devices are provided for the connection of dust extraction and collection facilities, ensure these are connected and properly used.** Use of dust collection can reduce dust related hazards.
 - h) **Do not let familiarity gained from frequent use of tools allow you to become complacent and ignore tool safety principles.** A careless action can cause severe injury within a fraction of a second.
- 4) Power tool use and care**
- a) **Do not force the power tool. Use the correct power tool for your application.** The correct power tool will do the job better and safer at the rate for which it was designed.
 - b) **Do not use the power tool if the switch does not turn it on and off.** Any power tool that cannot be controlled with the switch is dangerous and must be repaired.
 - c) **Disconnect the plug from the power source and/or the battery pack from the power tool before making any adjustments, changing accessories, or storing power tools.** Such preventive safety measures reduce the risk of starting the power tool accidentally.
 - d) **Store idle power tools out of the reach of children and do not allow persons unfamiliar with the power tool or these instructions to operate the power tool.** Power tools are dangerous in the hands of untrained users.
 - e) **Maintain power tools. Check for misalignment or binding of moving parts, breakage of parts and any other condition that may affect the power tool's operation. If damaged, have the power tool repaired before use.** Many accidents are caused by poorly maintained power tools.
 - f) **Keep cutting tools sharp and clean.** Properly maintained cutting tools with sharp cutting edges are less likely to bind and are easier to control.
 - g) **Use the power tool, accessories and tool bits etc. in accordance with these instructions, taking into account the working conditions and the work to be performed.** Use of the power tool for operations different from those intended could result in a hazardous situation.
 - h) **Keep handles and grasping surfaces dry, clean and free from oil and grease.** Slippery handles and

grasping surfaces do not allow for safe handling and control of the tool in unexpected situations.

5) Battery tool use and care

- a) **Recharge only with the charger specified by the manufacturer.** A charger that is suitable for one type of battery pack may create a risk of fire when used with another battery pack.
 - b) **Use power tools only with specifically designed battery packs.** Use of any other battery packs may create a risk of injury and fire.
 - c) **When battery pack is not in use, keep it away from other metal objects, like paper clips, coins, keys, nails, screws or other small metal objects that can make a connection from one terminal to another.** Shorting the battery terminals together may cause burns or a fire.
 - d) **Under abusive conditions, liquid may be ejected from the battery; avoid contact. If contact accidentally occurs, flush with water. If liquid contacts eyes, additionally seek medical help.** Liquid ejected from the battery may cause irritation or burns.
 - e) **Do not use a battery pack or tool that is damaged or modified.** Damaged or modified batteries may exhibit unpredictable behaviour resulting in fire, explosion or risk of injury.
 - f) **Do not expose a battery pack or tool to fire or excessive temperature.** Exposure to fire or temperature above 130 °C may cause explosion. NOTE The temperature „130 °C“ can be replaced by the temperature „265 °F“.
 - g) **Follow all charging instructions and do not charge the battery pack or tool outside the temperature range specified in the instructions.** Charging improperly or at temperatures outside the specified range may damage the battery and increase the risk of fire.
- 6) Service**
- a) **Have your power tool serviced by a qualified repair person using only identical replacement parts.** This will ensure that the safety of the power tool is maintained.
 - b) **Never service damaged battery packs.** Service of battery packs should only be performed by the manufacturer or authorized service providers.

SAFETY WARNINGS FOR JIG SAWS

- **Hold the power tool by insulated gripping surfaces, when performing an operation where the cutting accessory may contact hidden wiring or its own cord.** Cutting accessory contacting a “live” wire may make exposed metal parts of the power tool “live” and could give the operator an electric shock.
- **Keep hands away from the sawing range. Do not reach under the workpiece.** Contact with the saw blade can lead to injuries.
- **Apply the machine to the workpiece only when switched on.** Otherwise there is danger of kickback when the cutting tool jams in the workpiece.
- **Pay attention that the base plate rests securely on the material while sawing.** A jammed saw blade can break or lead to kickback.
- **When the cut is completed, switch off the machine and then pull the saw blade out of the cut only after it has come to a standstill.** In this manner you can avoid kickback and can place down the machine securely.
- **Use only undamaged saw blades that are in perfect condition.** Bent or dull saw blades can break, negatively influence the cut, or lead to kickback.
- **Do not brake the saw blade to a stop by applying side pressure after switching off.** The saw blade can be damaged, break or cause kickback.
- **Use appropriate detectors to determine if utility lines are hidden in the work area or call the local utility company for assistance.** Contact with electric lines can lead to fire and electric shock. Damaging a gas line can lead to explosion. Penetrating a water line causes property damage.
- **Use clamps or another practical way to secure and support the workpiece to a stable platform.** Holding the workpiece by hand or against your body leaves it unstable and may lead to loss of control.
- **Always wait until the machine has come to a complete stop before placing it down.** The tool insert can jam and lead to loss of control over the power tool.

2. MACHINE INFORMATION

Intended use

The machine is intended for sawing wood, metal, plastics, ceramics, rubber, etc. to any required size and in any required shape, while keeping the baseplate resting firmly on the workpiece. A suitable saw blade must always be used.

TECHNICAL SPECIFICATIONS

| Model No. | JS503AC |
|--------------------------------|---|
| Voltage | 230-240V~ |
| Frequency | 50Hz |
| No load speed | 0-3000/min |
| Max. saw capacity wood 0° | 65mm |
| Max. saw capacity steel 0° | 6mm |
| Weight | 1.85 kg |
| Sound pressure level L_{PA} | 95 dB(A), K=3dB(A) |
| Sound power level L_{WA} | 96 dB(A), K=3dB(A) |
| Vibration 'sawing sheet metal' | 10.08 m/s ² K=1.5 m/s ² |
| Vibration 'sawing plywood' | 9.19 m/s ² K=1.5 m/s ² |

Vibration level

The vibration emission level stated in this instruction manual has been measured in accordance with a standardised test given in EN 62841; it may be used to compare one tool with another and as a preliminary assessment of exposure to vibration when using the tool for the applications mentioned:

- using the tool for different applications, or with different or poorly maintained accessories, may significantly increase the exposure level
- the times when the tool is switched off or when it is running but not actually doing the job, may significantly reduce the exposure level.

Protect yourself against the effects of vibration by maintaining the tool and its accessories, keeping your hands warm, and organizing your work patterns.

DESCRIPTION

The numbers in the text refer to the diagrams on page 2 and 3.

1. On/off switch
2. Dust blower switch
3. Main handle

4. Auxiliary handle
5. Speed adjustment wheel
6. Pendulum action switch
7. Scale for bevel angle
8. Vacuum cleaner adapter
9. Baseplate
10. Guide roller
11. Clamping lever
12. Bolts for parallel guide
13. Hex key
14. Chuck
15. Saw blade
16. Bolt for baseplate
17. Parallel guide
18. Cutting mark

3. ASSEMBLY

Replacing the saw blade (Fig. A, B)



When mounting the saw blade, wear protective gloves. Danger of injury when touching the saw blade.



Only use saw blades that correspond with the characteristic data given in the operating instructions.

Mounting the saw blade

Make sure the blade holder is free of material debris (such as splinters of wood or metal).

1. Turn the clamping lever (11) as far to the left as possible and hold it in this position.
2. Insert the saw blade in the chuck (14). Check that the saw blade is securely fixed and that the teeth are pointing in the cutting direction.
3. Let go of the clamping lever. Check whether the back of the saw blade is positioned in the centre of the guide roller (10). Make sure to use the right sawblade for the corresponding material. Included with the machine is a coarse sawblade for wood and a fine sawblade for metal and plastics.

Removing the saw blade

1. Turn the clamping lever (11) as far to the left as possible and hold it in this position.
2. Remove the saw blade from the chuck (14).
3. Let go of the clamping lever.

Attaching the parallel guide (Fig. C)

1. Loosen the bolts (12).
2. Mount the parallel guide (17) onto the baseplate (9).
3. Set the desired cutting width using the scale on the parallel guide (17) and the cutting mark on the baseplate (9). The cutting mark (18) indicates the position of the saw blade.
4. Tighten the bolts (12).

4. OPERATION

Switching on and off (Fig. A)

- To switch the machine on, push the switch forward and press the On/off switch (1).
- To switch the machine off, release the On/off switch (1).

Setting the speed (Fig. A)

The speed adjustment wheel (5) is used for setting the speed. The ideal speed depends on the profile and the teeth of the saw blade and on the material to be worked.



Do not set the speed during use.

- Turn the speed adjustment wheel (5) to the required position.
 - For hard materials, use a saw blade with fine teeth and select a lower speed.
 - For soft materials, use a saw blade with coarse teeth and select a higher speed.

Adjusting the bevel angle (Fig. A, D)

1. Loosen the bolts (16), using the hex key (13).
2. Adjust the baseplate (9) to the desired position (0°- 45°). The sawing angle (bevel) can be read on the scale (7).
3. Tighten the bolts (16), using the hex key (13). It is possible to store the hex key onto the machine, as shown on Fig. A.

Adjusting the pendulum action (Fig. A)

The pendulum action switch (6) is used to set the way in which the teeth of the saw blade grip the material. The pendulum action switch can be set to 4 positions:

- 0 - No pendulum action
- 1 - Small pendulum action
- 2 - Medium pendulum action
- 3 - Large pendulum action

The required pendulum action can be determined by practical testing, although the following instructions can be observed:

- Soft material (wood, plastics etc.): set the pendulum to level II or III. For a finer and cleaner saw cut, use pendulum level 0 or I.
- Thin material, use pendulum level 0.
- Hard material (hardwood, steel etc.): set the pendulum to level 0.
- Curves: set pendulum to level 0.

Dust extraction (Fig. E)

- Connect the hose of a vacuum cleaner to the dust extraction adapter (8).

Note: the dust blow function must be de-activated when using a vacuum cleaner.

Dust blow function (Fig. G)

The cutting line can be kept clear of chips and debris by using the dust blow function.

- To activate the dust blow function, move the dust blower switch (2) to the right, as shown on figure G1.
- To de-activate the dust blow function, move the dust blower switch (2) to the left, as shown on figure G2.

Optimum use

- Clamp the workpiece. Use a clamping device for small workpieces.
- Draw a line to define the direction in which to guide the saw blade.
- Firmly hold the machine by the grip.
- Set the sawing speed.
- Set the mitre angle.
- Switch on the machine.
- Wait until the machine has reached full speed.
- Place the saw shoe on the workpiece.
- Slowly move the machine along the pre-drawn line, firmly pressing the saw shoe against the workpiece.
- Do not apply too much pressure on the machine. Let the machine do the work.
- Switch off the machine and wait for the machine to come to a complete standstill before putting the machine down.

5. MAINTENANCE



Before cleaning and maintenance, always switch off the machine and remove the mains plug from the mains.

Clean the machine casings regularly with a soft cloth, preferably after each use. Make sure that the ventilation openings are free of dust and dirt. Remove very persistent dirt using a soft cloth moistened with soapsuds. Do not use any solvents such as gasoline, alcohol, ammonia, etc. Chemicals such as these will damage the synthetic components.

ENVIRONMENT



Faulty and/or discarded electrical or electronic apparatus have to be collected at the appropriate recycling locations.

Only for EC countries

Do not dispose of power tools into domestic waste. According to the European Guideline 2012/19/EC for Waste Electrical and Electronic Equipment and its implementation into national right, power tools that are no longer usable must be collected separately and disposed of in an environmentally friendly way.

WARRANTY

VONROC products are developed to the highest quality standards and are guaranteed free of defects in both materials and workmanship for the period lawfully stipulated starting from the date of original purchase. Should the product develop any failure during this period due to defective material and/or workmanship then contact VONROC directly.

The following circumstances are excluded from this guarantee:

- Repairs and or alterations have been made or attempted to the machine by unauthorized service centers;
- Normal wear and tear;
- The tool has been abused, misused or improperly maintained;
- Non-original spare parts have been used.

This constitutes the sole warranty made by company either expressed or implied. There are no other warranties expressed or implied which extend beyond the face hereof, herein, including the implied warranties of merchantability and fitness for a particular purpose. In no event shall VONROC be liable for any incidental or consequential damages. The dealers remedies shall be limited to repair or replacement of nonconforming units or parts.

The product and the user manual are subject to change. Specifications can be changed without further notice.

1. SICHERHEITSHINWEISE

Lesen Sie die beiliegenden Sicherheitsanweisungen, die zusätzlichen Sicherheitsanweisungen sowie die Bedienungsanleitung. Das Nichtbeachten der Sicherheitsanweisungen und der Bedienungsanleitung kann zu einem Stromschlag, Feuer und/oder schweren Verletzungen führen. Bewahren Sie die Sicherheitsanweisungen und die Bedienungsanleitung zur künftigen Bezugnahme auf.

Folgende Symbole werden im Benutzerhandbuch oder auf dem Produkt verwendet:



Benutzerhandbuch/Bedienungsanleitung lesen.



Lebens- und Verletzungsgefahr und Gefahr von Beschädigungen am Werkzeug/Gerät bei Nichteinhaltung der Anweisungen in dieser Bedienungsanleitung.



*Tragen Sie eine Schutzbrille.
Tragen Sie einen Gehörschutz.*



Entsorgen Sie das Produkt nicht in hierfür nicht vorgesehenen Abfallbehältern.



Das Produkt entspricht den geltenden Sicherheitsnormen der europäischen Richtlinien.

ALLGEMEINE SICHERHEITSHINWEISE



ACHTUNG! Lesen Sie alle Sicherheitshinweise und Anweisungen. Fehler bei der Einhaltung der nachstehend aufgeführten Anweisungen können elektrischen Schlag, Brand und/oder schwere Verletzungen verursachen.

Bewahren Sie diese Anweisungen gut auf. Der nachfolgend verwendete Begriff „Elektrowerkzeug“ bezieht sich auf netzbetriebene Elektrowerkzeuge (mit Netzkabel) und auf akkubetriebene Elektrowerkzeuge (ohne Netzkabel).

1) Arbeitsplatz

- a) **Halten Sie Ihren Arbeitsbereich sauber und aufgeräumt.** Unordnung und unbeleuchtete Arbeitsbereiche können zu Unfällen führen.
- b) **Arbeiten Sie mit dem Gerät nicht in explosionsgefährdeter Umgebung, in der sich**

- brennbare Flüssigkeiten, Gase oder Staub befinden.** Elektrowerkzeuge erzeugen Funken, die den Staub oder die Dämpfe entzünden können.
- c) **Halten Sie Kinder und andere Personen während der Benutzung des Elektrowerkzeugs fern.** Bei Ablenkung können Sie die Kontrolle über das Gerät verlieren.
- 2) Elektrische Sicherheit**
- a) **Der Anschlussstecker des Gerätes muss in die Steckdose passen. Der Netzstecker darf in keiner Weise verändert werden. Verwenden Sie keine Adapterstecker gemeinsam mit Schutzgeerdeten Geräten. Unveränderte Netzstecker und passende Steckdosen verringern das Risiko eines elektrischen Schlages.**
- b) **Vermeiden Sie Körperkontakt mit geerdeten Oberflächen, wie von Rohren, Heizungen, Herden und Kühlschränken.** Es besteht ein erhöhtes Risiko durch elektrischen Schlag, wenn Ihr Körper geerdet ist.
- c) **Halten Sie das Gerät von Regen oder Nässe fern.** Das Eindringen von Wasser in ein Elektrogerät erhöht das Risiko eines elektrischen Schlages.
- d) **Zweckentfremden Sie das Netzkabel nicht, um das Gerät zu tragen, aufzuhängen oder um den Netzstecker aus der Steckdose zu ziehen. Halten Sie das Netzkabel fern von Hitze, Öl, scharfen Kanten oder sich bewegenden Geräteteilen.** Beschädigte oder verwickelte Netzkabel erhöhen das Risiko eines elektrischen Schlages.
- e) **Wenn Sie mit einem Elektrowerkzeug im Freien arbeiten, verwenden Sie nur Verlängerungskabel, die auch für den Außenbereich zugelassen sind.** Die Anwendung eines für den Außenbereich geeigneten Verlängerungskabels verringert das Risiko eines elektrischen Schlages
- f) **Wenn sich Arbeiten mit einem Elektrowerkzeug in feuchten Umgebungen nicht vermeiden lassen, verwenden Sie eine Stromversorgung mit einer Fehlerstrom-Schutzeinrichtung (RCD).** Durch die Verwendung einer RCD wird die Gefahr eines elektrischen Schlags verringert.
- 3) Sicherheit von Personen**
- a) **Seien Sie aufmerksam. Achten Sie darauf, was Sie tun, und gehen Sie mit Vernunft an die Arbeit mit einem Elektrowerkzeug. Benutzen Sie das Gerät nicht, wenn Sie müde sind oder unter dem Einfluss von Drogen, Alkohol oder Medikamenten stehen.** Ein Moment der Unachtsamkeit beim Gebrauch des Gerätes kann zu ernsthaften Verletzungen führen.
- b) **Tragen Sie persönliche Schutzausrüstung und immer eine Schutzbrille.** Das Tragen persönlicher Schutzausrüstung, wie Staubmaske, rutschfeste Sicherheitsschuhe, Schutzhelm oder Gehörschutz, je nach Art und Einsatz des Elektrowerkzeuges, verringert das Risiko von Verletzungen.
- c) **Vermeiden Sie eine unbeabsichtigte Inbetriebnahme. Vergewissern Sie sich, dass der Schalter in der Position „AUS(0)“ ist, bevor Sie den Netzstecker in die Steckdose stecken.** Wenn Sie beim Tragen des Gerätes den Finger am Schalter haben oder das Gerät eingeschaltet an die Stromversorgung anschließen, kann dies zu Unfällen führen.
- d) **Entfernen Sie Einstellwerkzeuge oder Schraubenschlüssel, bevor Sie das Gerät einschalten.** Ein Werkzeug oder Schlüssel, der sich in einem drehenden Geräteteil befindet, kann zu Verletzungen führen.
- e) **Überschätzen Sie sich nicht. Sorgen Sie für einen sicheren Stand und halten Sie jederzeit das Gleichgewicht.** Dadurch können Sie das Gerät in unerwarteten Situationen besser kontrollieren.
- f) **Tragen Sie geeignete Kleidung. Tragen Sie keine weite Kleidung oder Schmuck. Halten Sie Haare, Kleidung und Handschuhe fern von sich bewegenden Teilen.** Lockere Kleidung, Schmuck oder lange Haare können von sich bewegendem Teilen erfasst werden.
- g) **Wenn Staubabsaug- und -auffangeinrichtungen montiert werden können, vergewissern Sie sich, dass diese angeschlossen sind und richtig verwendet werden.** Das Verwenden dieser Einrichtungen verringert Gefährdungen durch Staub.
- h) **Achten Sie darauf, nicht durch häufigen Gebrauch von Werkzeugen nachlässig zu werden und die Prinzipien zum sicheren Umgang mit den Werkzeugen zu ignorieren.** Eine unachtsame Handlung kann innerhalb von Sekundenbruchteilen schwere Verletzungen verursachen.
- 4) Sorgfältiger Umgang und Gebrauch von Elektrowerkzeugen**
- a) **Überlasten Sie das Gerät nicht. Verwenden Sie für Ihre Arbeit das dafür bestimmte Elektrowerkzeug.** Mit dem passenden

Elektrowerkzeug arbeiten Sie besser und sicherer im angegebenen Leistungsbereich.

- b) **Benutzen Sie kein Elektrowerkzeug, dessen Schalter defekt ist.** Ein Elektrowerkzeug, das sich nicht mehr ein- oder ausschalten lässt, ist gefährlich und muss repariert werden.
 - c) **Ziehen Sie den Netzstecker aus der Steckdose, bevor Sie Geräteeinstellungen vornehmen, Zubehörteile wechseln oder das Gerät weglegen.** Diese Vorsichtsmaßnahme verhindert den unbeabsichtigten Start des Geräts.
 - d) **Bewahren Sie unbenutzte Elektrowerkzeuge außerhalb der Reichweite von Kindern auf. Lassen Sie Personen das Gerät nicht benutzen, die mit diesem nicht vertraut sind oder diese Anweisungen nicht gelesen haben.** Elektrowerkzeuge sind gefährlich, wenn Sie von unerfahrenen Personen benutzt werden.
 - e) **Pflegen Sie das Gerät mit Sorgfalt. Kontrollieren Sie, ob bewegliche Geräteteile einwandfrei funktionieren und nicht klemmen, ob Teile gebrochen oder so beschädigt sind, dass die Funktion des Gerätes beeinträchtigt ist. Lassen Sie beschädigte Teile vor dem Einsatz des Gerätes reparieren.** Viele Unfälle haben ihre Ursache in schlecht gewarteten Elektrowerkzeugen.
 - f) **Halten Sie Schneidwerkzeuge scharf und sauber.** Sorgfältig gepflegte Schneidwerkzeuge mit scharfen Schneidkanten verklemmen sich weniger und sind leichter zu führen.
 - g) **Verwenden Sie Elektrowerkzeug, Zubehör, Einsatzwerkzeuge usw. entsprechend diesen Anweisungen und so, wie es für diesen speziellen Gerätetyp vorgeschrieben ist. Berücksichtigen Sie dabei die Arbeitsbedingungen und die auszuführende Tätigkeit.** Der Gebrauch von Elektrowerkzeugen für andere als die vorgesehenen Anwendungen kann zu gefährlichen Situationen führen.
 - h) **Halten Sie Griffe und Greifflächen immer trocken, sauber und frei von Öl und Fett.** Rutschige Griffe und Greifflächen verhindern in unerwarteten Situationen den sicheren Umgang mit dem Werkzeug und die richtige Kontrolle darüber.
- 5) Umgang mit Akkuwerkzeugen**
- a) **Zum Laden ist ausschließlich das vom Hersteller angegebene Ladegerät zu verwenden.** Ein Ladegerät, das für eine Art von Akkus geeignet ist, kann bei Verwendung

mit einer anderen Art von Akku Brandgefahr verursachen.

- b) **Elektrowerkzeuge dürfen nur mit speziell dazu bestimmten Akkus verwendet werden,** da bei der Verwendung anderer Akkus Verletzungs- und Brandgefahr entstehen kann.
 - c) **Wenn der Akku nicht in Gebrauch ist, ist er von Büroklammern, Münzen, Schlüssel, Nägel, Schrauben und anderen kleinen Metallobjekten fernzuhalten, die eine Verbindung zwischen den Polen bilden können.** Kurzschließen der Pole kann Brand oder Verbrennungen verursachen.
 - d) **Bei falschem Umgang mit dem Akku kann Flüssigkeit aus dem Akku austreten. Die Berührung dieser Flüssigkeit ist zu vermeiden. Bei Berührung den betroffenen Körperteil mit Wasser abspülen. Bei Berührung der Flüssigkeit mit den Augen muss zusätzlich ärztliche Hilfe gerufen werden.** Die Akkuflüssigkeit kann Reizungen oder Verbrennungen verursachen.
 - e) **Verwenden Sie keinesfalls Akkus und Werkzeuge, die beschädigt oder verändert wurden.** Beschädigte oder veränderte Akkus können ein unvorhersehbares Verhalten zeigen, das zu Feuer, Explosionen oder Verletzungsgefahren führt.
 - f) **Setzen Sie Akkus oder Werkzeuge keinem Feuer oder übermäßigen Temperaturen aus.** Feuer oder Temperaturen über 130 °C können zu Explosionen führen. HINWEIS: Die Temperaturangabe „130 °C“ kann durch die Temperaturangabe „265 °F“ ersetzt werden.
 - g) **Beachten Sie alle Hinweise zum Aufladen und laden Sie Akkus oder Werkzeuge nicht außerhalb der in der Anleitung angegebenen Temperaturbereiche auf.** Unsachgemäßes Aufladen oder Aufladen bei Temperaturen außerhalb des angegebenen Bereichs kann den Akku schädigen und die Brandgefahr erhöhen.
- 6) Service**
- a) **Lassen Sie Ihre Werkzeuge durch einen qualifizierten Reparaturtechniker ausschließlich mit identischen Ersatzteilen warten.** So lässt sich eine gleich bleibende Sicherheit des Elektrowerkzeugs gewährleisten.
 - b) **Beschädigte Akkus dürfen keinesfalls gewartet werden.** Die Wartung von Akkus darf nur vom Hersteller oder von Vertragswerkstätten durchgeführt werden.

SICHERHEITSHINWEISE FÜR STICHSÄGEN

- **Halten Sie das Elektrowerkzeug an den isolierten Griffflächen, wenn Arbeiten durchgeführt werden, bei denen das Schneidewerkzeug versteckte Leitungen berühren könnte.** Der Kontakt des Schneidewerkzeugs mit einer spannungsführenden Leitung kann auch metallene Geräteteile unter Spannung setzen und zu einem elektrischen Schlag führen.
- **Halten Sie die Hände vom Sägebereich fern. Greifen Sie nicht unter das Werkstück.** Bei Kontakt mit dem Sägeblatt besteht Verletzungsgefahr.
- **Führen Sie das Elektrowerkzeug nur eingeschaltet gegen das Werkstück.** Es besteht sonst die Gefahr eines Rückschlages, wenn sich das Einsatzwerkzeug im Werkstück verhakt.
- **Achten Sie darauf, dass die Fußplatte beim Sägen sicher aufliegt.** Ein verkantetes Sägeblatt kann brechen oder zum Rückschlag führen.
- **Schalten Sie nach Beendigung des Arbeitsvorgangs das Elektrowerkzeug aus und ziehen Sie das Sägeblatt erst dann aus dem Schnitt, wenn dieses zum Stillstand gekommen ist.** So vermeiden Sie einen Rückschlag und können das Elektrowerkzeug sicher ablegen.
- **Verwenden Sie nur unbeschädigte, einwandfreie Sägeblätter.** Verbogene oder unscharfe Sägeblätter können brechen, den Schnitt negativ beeinflussen oder einen Rückschlag verursachen.
- **Bremsen Sie das Sägeblatt nach dem Ausschalten nicht durch seitliches Gegendrücken ab.** Das Sägeblatt kann beschädigt werden, brechen oder einen Rückschlag verursachen.
- **Verwenden Sie geeignete Suchgeräte, um verborgene Versorgungsleitungen aufzuspüren, oder ziehen Sie die örtliche Versorgungsgesellschaft hinzu.** Kontakt mit Elektroleitungen kann zu Feuer und elektrischem Schlag führen. Beschädigung einer Gasleitung kann zur Explosion führen. Eindringen in eine Wasserleitung verursacht Sachbeschädigung.
- **Befestigen und sichern Sie das Werkstück mittels Zwingen oder auf andere Art und Weise an einer stabilen Unterlage.** Wenn Sie das Werkstück nur mit der Hand oder gegen Ihren Körper halten, bleibt es labil, was zum Verlust der Kontrolle führen kann.
- **Warten Sie, bis das Elektrowerkzeug zum Stillstand gekommen ist, bevor Sie es ablegen.** Das Einsatzwerkzeug kann sich verhaken und

zum Verlust der Kontrolle über das Elektrowerkzeug führen.

2. ANGABEN ZUM WERKZEUG

Verwendungszweck

Dieses Gerät ist zum Sägen von Holz, Metall, Kunststoff, Keramik, Gummi usw. in jede gewünschte Größe und Form bestimmt, wobei die Basisplatte fest auf dem Werkstück aufliegt. Es ist immer ein geeignetes Sägeblatt zu verwenden.

TECHNISCHE DATEN

| Modellnummer. | JS503AC |
|------------------------------|---|
| Spannung | 230-240V~ |
| Frequenz | 50Hz |
| Leerlaufdrehzahl | 0-3000/min |
| Max. Sägeleistung Holz 0° | 65mm |
| Max. Sägeleistung Stahl 0° | 6mm |
| Gewicht | 1.85 kg |
| Schalldruckpegel L_{PA} | 95 dB(A), K=3dB(A) |
| Schalleistungspegel L_{WA} | 96 dB(A), K=3dB(A) |
| Schwingung 'sägen blech' | 10.08 m/s ² K=1.5 m/s ² |
| Schwingung 'sägen sperrholz' | 9.19 m/s ² K=1.5 m/s ² |

Vibrationsintensität

Die in dieser Bedienungsanleitung angegebene Vibrationsintensität wurde mit einem standardisierten Test gemäß EN62841 gemessen. Anhand dieser Größe können Werkzeuge miteinander verglichen werden. Außerdem eignet sich diese Größe für eine erste Beurteilung der Vibrationsbelastung bei Verwendung des Werkzeugs für die angegebenen Anwendungszwecke.

- Bei Verwendung des Werkzeugs für andere Anwendungen oder mit anderem oder unzureichend gewartetem Zubehör kann sich die Vibrationsbelastung erheblich erhöhen.
- Wenn das Werkzeug ausgeschaltet ist, oder wenn es eingeschaltet ist, jedoch nicht genutzt wird, kann sich die Vibrationsbelastung erheblich verringern.

Schützen Sie sich vor den Auswirkungen der Vibration durch Wartung des Werkzeugs und des Zubehörs, halten Sie Ihre Hände warm, und organisieren Sie Ihren Arbeitsablauf.

BESCHREIBUNG

Die Buchstaben und Ziffern im folgenden Text verweisen auf die Abbildungen auf Seite 2-3.

1. EIN/AUS-Schalter
2. Staubgebläseschalter
3. Hauptgriff
4. Zusatzgriff
5. Geschwindigkeitseinstellrad
6. Orbitalhubschalter
7. Skala für Gehrungswinkel
8. Staubsaugeradapter
9. Basisplatte
10. Führungsrolle
11. Klemmhebel
12. Schraube für Parallelführung
13. Sechskantschlüssel
14. Spannfutter
15. Sägeblatt
16. Schraube für Basisplatte
17. Parallelführung
18. Schnittmarke

3. MONTAGE

Wechseln des Sägeblatts (Abb. A, B)



Tragen Sie beim Anbringen des Sägeblatts Schutzhandschuhe. Verletzungsgefahr beim Berühren des Sägeblattes.



Verwenden Sie nur Sägeblätter, die den Kenndaten in der Betriebsanleitung entsprechen.

Anbringen des Sägeblatts

Achten Sie darauf, dass der Sägeblatthalter frei von Materialrückständen ist (zum Beispiel Holz- oder Metallsplitter).

1. Drehen Sie den Klemmhebel (11) so weit wie möglich nach links und halten Sie ihn in dieser Position fest.
2. Setzen Sie das Sägeblatt in das Spannfutter (14) ein. Überprüfen Sie, dass das Sägeblatt sicher befestigt ist und die Zähne in die Schnitttrichtung zeigen.
3. Lassen Sie den Klemmhebel los. Überprüfen Sie, ob sich die Rückseite des Sägeblatts in der Mitte der Führungsrolle (10) befindet. Stellen Sie sicher, immer das richtige Sägeblatt für das jeweilige Material zu verwenden. Zum Lieferumfang des Geräts gehört ein grobzahntiges Sägeblatt für Holz

und ein feinzahntiges Sägeblatt für Metall und Kunststoff.

Abnehmen des Sägeblatts

1. Drehen Sie den Klemmhebel (11) so weit wie möglich nach links und halten Sie ihn in dieser Position fest.
2. Nehmen Sie das Sägeblatt aus dem Spannfutter (14).
3. Lassen Sie den Klemmhebel los.

Anbringen der Parallelführung (Abb. C)

1. Lösen Sie die Schraube für Parallelführung (14).
2. Montieren Sie die Parallelführung (19) an der Basisplatte (9).
3. Stellen Sie mit der Skala auf der Parallelführung (19) und der Schnittmarke auf der Basisplatte (9) die gewünschte Schnittbreite ein. Die Schnittmarke (21) zeigt die Position des Sägeblatts an.
4. Ziehen Sie die Schraube für Parallelführung (14) fest.

4. BETRIEB

Ein- und Ausschalten (Abb. A)

- Zum Einschalten des Geräts drücken Sie auf den Ein-/Aus-Schalter (1).
- Lassen Sie zum Ausschalten des Geräts den Ein-/Ausschalter (1) los.

Einstellung der Geschwindigkeit (Abb. A)

Das Geschwindigkeitseinstellrad (5) wird zur Einstellung der Geschwindigkeit verwendet. Die ideale Geschwindigkeit hängt vom Profil und den Zähnen des Sägeblatts sowie vom zu bearbeitenden Material ab.



Stellen Sie die Geschwindigkeit nicht während des Gebrauchs ein.

- Drehen Sie das Geschwindigkeitseinstellrad (5) auf die erforderliche Position.
 - Verwenden Sie für harte Materialien ein Sägeblatt mit feinen Zähnen und wählen Sie eine niedrigere Geschwindigkeit.
 - Verwenden Sie für weiche Materialien ein Sägeblatt mit groben Zähnen und wählen Sie eine höhere Geschwindigkeit.

Einstellen des Gehrungswinkels (Abb. A, D)

1. Lösen Sie die Schraube (16) mit dem Sechskantschlüssel (13).
2. Stellen Sie die Basisplatte (9) auf die gewünschte Position ein (0° - 45°). Der Sägewinkel (Gehrung) kann an der Skala (7) abgelesen werden.
3. Ziehen Sie die Schraube (16) mit dem Sechskantschlüssel (13) fest. Der Sechskantschlüssel kann wie in Abb. A gezeigt an der Maschine aufbewahrt werden.

Einstellen des Orbitalhubs (Abb. A)

Mit dem Pendelhubschalter (6) wird eingestellt, wie die Zähne des Sägeblatts das Material greifen. Für den Pendelschalter gibt es 4 Positionen:

- 0 - Kein Orbitalhub
- 1 - Geringer Orbitalhub
- 2 - Mittlerer Orbitalhub
- 3 - Starker Orbitalhub

Der erforderliche Orbitalhub kann durch Ausprobieren festgestellt werden, wobei folgende Empfehlungen gelten:

- Weiches Material (Holz, Plastik usw.): Pendel auf Stufe II oder III stellen. Verwenden Sie für einen feineren und saubereren Sägeschnitt die Pendelstufe 0 oder I.
- Für dünnes Material Pendelstufe 0 verwenden.
- Für hartes Material (Hartholz, Stahl usw.) das Pendel auf Stufe 0 stellen.
- Für Kurven das Pendel auf Stufe 0 stellen.

Staubabsaugung (Abb. E)

- Verbinden Sie den Schlauch eines Staubsaugers mit dem Staubabsaugadapter (8).

Hinweis: Die Staubgebläsefunktion muss bei Verwendung eines Staubsaugers deaktiviert werden.

Staubgebläsefunktion (Abb. G)

Die Schnittlinie kann mit Hilfe der Staubgebläsefunktion von Spänen und Staub freigehalten werden.

- Stellen Sie zum Aktivieren der Staubgebläsefunktion den Staubgebläseschalter (2) wie in Abbildung G1 nach rechts.
- Stellen Sie zum Deaktivieren der Staubgebläsefunktion den Staubgebläseschalter (2) wie in Abbildung G2 nach links.

Optimale Nutzung

- Spannen Sie das Werkstück ein. Verwenden Sie für kleine Werkstücke eine Spannvorrichtung.
- Zeichnen Sie eine Linie, um die Richtung vorzugeben, in der das Sägeblatt geführt wird.
- Halten Sie die Maschine sicher am Griff fest.
- Stellen Sie die Sägegeschwindigkeit ein.
- Stellen Sie den Gehrungswinkel ein.
- Stellen Sie die Pendelhubposition ein.
- Schalten Sie die Maschine ein.
- Warten Sie, bis die Maschine ihre volle Geschwindigkeit erreicht hat.
- Setzen Sie den Sägeschuh auf das Werkstück.
- Bewegen Sie die Maschine langsam die vorgezeichnete Linie entlang, wobei Sie den Sägeschuh fest gegen das Werkstück drücken.
- Üben Sie nicht zu viel Druck auf die Maschine aus. Lassen Sie die Maschine die Arbeit verrichten.
- Schalten Sie die Maschine aus und warten Sie, bis sie vollkommen zum Stillstand gekommen ist, bevor Sie sie ablegen.

5. WARTUNG

Trennen Sie die Maschine immer vom Stromnetz, bevor Sie Wartungsarbeiten durchführen.

Reinigen Sie das Werkzeuggehäuse regelmäßig mit einem weichen Lappen, vorzugsweise nach jeder Verwendung. Stellen Sie sicher, dass die Lüftungsöffnungen frei von Staub und Schmutz sind. Entfernen Sie anhaftenden Schmutz mit einem weichen Lappen, der leicht mit Seifenwasser befeuchtet wurde. Verwenden Sie keine Lösungsmittel wie Benzin, Alkohol, Ammoniak usw., da Chemikalien dieser Art die Kunststoffteile beschädigen.

UMWELTSCHUTZ

Schadhafte und/oder zu entsorgende elektrische oder elektronische Werkzeuge und Geräte müssen an den dafür vorgeesehenen Recycling-Stellen abgegeben werden.

Nur für EG-Länder

Entsorgen Sie Elektrowerkzeuge nicht über den Hausmüll. Entsprechend der EU-Richtlinie 2012/19/EG über Elektro- und Elektronik-Altgeräte sowie der Umsetzung in nationales Recht müssen

Elektrowerkzeuge, die nicht mehr im Gebrauch sind, getrennt gesammelt und umweltschonend entsorgt werden.

GARANTIE

VONROC-Produkte werden nach den höchsten Qualitätsstandards entwickelt und sind für den gesetzlich festgelegten Zeitraum, ausgehend von dem ursprünglichen Kaufdatum, garantiert frei von Fehlern in Material und Ausführung. Sollte das Produkt in diesem Zeitraum aufgrund von Material- und/oder Verarbeitungsmängeln Fehler aufweisen, wenden Sie sich bitte direkt an VONROC Kundendienst.

Folgende Umstände sind von der Garantie ausgeschlossen:

- Reparaturen und oder Änderungen an der Maschine, die durch nicht-autorisierte Servicetellen vorgenommen oder versucht wurden.
- Normale Abnutzung und Verschleiß.
- Das Werkzeug wurde übermäßig beansprucht, missbräuchlich verwendet oder falsch gewartet.
- Es wurden keine Original-Ersatzteile verwendet.

Dies stellt die einzige Gewährleistung des Unternehmens dar, sowohl ausdrücklich als auch implizit. Es gibt keine anderen ausdrücklichen oder stillschweigenden Garantien, die über das hier Genannte hinausgehen, einschließlich der stillschweigenden Garantien der Marktgängigkeit oder Eignung für einen bestimmten Zweck. In keinem Fall ist VONROC haftbar für Neben- oder Folgeschäden. Die Rechtsmittel des Händlers beschränken sich auf Reparatur oder Ersatz fehlerhafter Einheiten oder Teile.

Am Produkt und am Benutzerhandbuch können Änderungen vorgenommen werden. Die technischen Daten können sich ohne Vorankündigung ändern.

1. VEILIGHEIDSVOORSCHRIFTEN

Lees de bijgesloten veiligheidswaarschuwingen, de aanvullende veiligheidswaarschuwingen en de instructies. Het niet opvolgen van de veiligheidswaarschuwingen kan elektrische schokken, brand en/of ernstig letsel tot gevolg hebben. Bewaar de veiligheidswaarschuwingen en instructies als naslagwerk voor later.

De volgende symbolen worden gebruikt in de gebruikershandleiding of op het product:



Lees de gebruikershandleiding.



Gevaar voor lichamelijk letsel, overlijden of schade aan de machine wanneer de instructies in deze handleiding niet worden opgevolgd.



*Draag een veiligheidsbril.
Draag gehoorbescherming.*



Werp het product niet weg in ongeschikte containers.



Het product is in overeenstemming met de van toepassing zijnde veiligheidsnormen in de Europese richtlijnen.

ALGEMENE VEILIGHEIDSVOORSCHRIFTEN



WAARSCHUWING! Lees alle veiligheidswaarschuwingen en alle instructies. Het niet opvolgen van onderstaande instructies kan leiden tot een elektrische schok, brand en/of ernstig persoonlijk letsel.

Bewaar deze instructies.

De term "elektrisch gereedschap" in onderstaande waarschuwingen heeft betrekking op zowel apparatuur met een vaste elektriciteitskabel als op apparatuur met een accu (draadloze apparatuur).

1) Werkgebied

- a) **Zorg voor een opgeruimde en goed verlichte werkomgeving.** Rommelige en donkere werkomgevingen leiden tot ongelukken
- b) **Gebruik elektrisch gereedschap nooit in een omgeving waar explosiegevaar bestaat, zoals in de nabijheid van ontvlambare vloeistoffen, gassen, dampen of andere stoffen.** Elektrische

- gereedschappen kunnen vonken veroorzaken, die deze stoffen tot ontbranding kunnen brengen.
- c) **Wanneer u elektrisch gereedschap gebruikt, houd dan kinderen en omstanders op afstand.** Wanneer u wordt afgeleid, kunt u de controle over het gereedschap verliezen.
- 2) Elektrische veiligheid**
- a) **Stekkers van elektrische gereedschappen moeten probleemloos passen op het stopcontact. Breng nooit wijzigingen aan in of aan de stekker. Gebruik geen adapters voor geaarde elektrische gereedschappen.** Standaardstekkers en passende stopcontacten verkleinen de kans op een elektrische schok.
- b) **Voorkom lichamelijk contact met geaarde oppervlakken van bijvoorbeeld pijpen, leidingen, radiatoren, fornuizen en koelkasten.** Wanneer uw lichaam geaard is, wordt de kans op een elektrische schok groter.
- c) **Stel elektrische gereedschappen nooit bloot aan regen of vocht.** Wanneer er water binnendringt in een elektrisch gereedschap, wordt de kans op een elektrische schok groter.
- d) **Gebruik het snoer niet om het elektrisch gereedschap te dragen, te verplaatsen of de stekker uit het stopcontact te trekken. Bescherm het snoer tegen olie, warmte, scherpe randen en bewegende delen.** Beschadigde of vastzittende snoeren vergroten de kans op een elektrische schok.
- e) **Wanneer u elektrische gereedschappen buiten gebruikt, gebruik dan een verlengkabel die geschikt is voor buitengebruik.** Door een kabel te gebruiken die geschikt is voor buitengebruik, wordt de kans op een elektrische schok kleiner.
- f) **Gebruik een aardlekbeveiliging (RCD) als niet te voorkomen is dat een power tool moet worden gebruikt in een vochtige omgeving.** Gebruik van een RCD vermindert het risico van elektrische schokken.
- 3) Persoonlijke veiligheid**
- a) **Blijf altijd alert, kijk goed wat u doet en gebruik uw gezonde verstand wanneer u een elektrisch gereedschap gebruikt. Gebruik geen elektrische gereedschappen wanneer u moe bent, of drugs, alcohol of medicijnen hebt gebruikt.** Eén moment van onachtzaamheid bij het gebruik van elektrische gereedschappen kan ernstige verwondingen tot gevolg hebben.
- b) **Gebruik persoonlijke beschermingsmiddelen. Draag altijd een veiligheidsbril.** Een gepast gebruik van veiligheidsvoorzieningen, zoals een stof masker, speciale werkschoenen met antislipzolen, een veiligheidshelm en gehoorbescherming verkleinen de kans op persoonlijk letsel.
- c) **Voorkom dat het gereedschap per ongeluk wordt gestart. Zorg dat de schakelaar op de UITpositie staat, voordat u de stekker in het stopcontact steekt.** Draag elektrisch gereedschap nooit met uw vinger op de schakelaar en steek ook nooit de stekker van ingeschakelde elektrische gereedschappen in het stopcontact: dit leidt tot ongelukken.
- d) **Verwijder alle instel en andere sleutels uit het elektrisch gereedschap voordat u hem inschakelt.** Instel en andere sleutels aan een ronddraaiend onderdeel van het elektrisch gereedschap kunnen tot verwondingen leiden.
- e) **Zorg dat u nooit uw evenwicht kunt verliezen; houd altijd twee voeten stevig op de vloer.** Hierdoor kunt u het elektrisch gereedschap in onverwachte situaties beter onder controle houden.
- f) **Zorg dat u geschikte kleding draagt. Draag geen loshangende kleding of sieraden. Houd uw haar, kleding en handschoenen uit de buurt van bewegende delen.** Loshangende kleding, sieraden en lang haar kunnen vast komen te zitten in bewegende delen.
- g) **Wanneer er voorzieningen zijn voor de aansluiting van stofafzuiginstallaties, zorg dan dat ze op de juiste wijze worden aangesloten en gebruikt.** Gebruik van deze voorzieningen vermindert de gevaren die door stof worden veroorzaakt.
- h) **Denk niet dat doordat u gereedschap vaak gebruikt, u wel weet hoe het allemaal werkt en dat u de veiligheidsbeginselen voor het gebruik van het gereedschap wel kunt negeren.** Een onbezonnen actie kan in een fractie van een seconde ernstig letsel tot gevolg hebben.
- 4) Gebruik en onderhoud van elektrisch gereedschap**
- a) **Oefen geen overmatige kracht uit op elektrisch gereedschap. Gebruik het juiste gereedschap voor uw specifieke toepassing.** Met het juiste elektrische gereedschap voert u de taak beter en veiliger uit wanneer dit op de snelheid gebeurt waarvoor het apparaat is ontworpen.
- b) **Gebruik nooit elektrisch gereedschap waarvan de AAN/UITschakelaar niet werkt.** Ieder

elektrisch gereedschap dat niet kan worden in en uitgeschakeld met de schakelaar is gevaarlijk en moet worden gerepareerd.

- c) **Trek de stekker uit het stopcontact voordat u wijzigingen aanbrengt aan elektrische gereedschappen, accessoires verwisselt of het elektrisch gereedschap opbergt.** Wanneer u zich aan deze preventieve veiligheidsmaatregelen houdt, beperkt u het risico dat het gereedschap per ongeluk wordt gestart.
 - d) **Berg elektrisch gereedschap dat niet in gebruik is op buiten bereik van kinderen en laat personen die niet bekend zijn met het gereedschap of deze instructies het apparaat niet gebruiken.** Elektrisch gereedschap is gevaarlijk in de handen van ongevoefde gebruikers.
 - e) **Zorg voor een goed onderhoud van elektrisch gereedschap. Controleer of bewegende delen op de juiste wijze zijn vastgezet. Controleer ook of er geen onderdelen defect zijn of dat er andere omstandigheden zijn die van invloed kunnen zijn op de werking van het gereedschap. Laat het gereedschap bij beschadigingen repareren vóór gebruik.** Veel ongelukken worden veroorzaakt door slecht onderhoud van het gereedschap.
 - f) **Zorg dat snij en zaagwerktuigen scherp en schoon blijven.** Goed onderhouden snij en zaagwerktuigen met scherpe randen zullen minder snel vastlopen en zijn eenvoudiger onder controle te houden.
 - g) **Gebruik alle elektrische gereedschappen, accessoires, bitjes etc., zoals aangegeven in deze instructies en op de wijze waarvoor het gereedschap is ontworpen. Houd daarbij rekening met de werkomstandigheden en de uit te voeren taak.** Gebruik van elektrisch gereedschap voor handelingen die afwijken van de taken waarvoor het apparaat is ontworpen kunnen leiden tot gevaarlijke situaties.
 - h) **Houd handgrepen en greepoppervlakken droog, schoon en vrij van olie en vet.** Gladde handgrepen en greepoppervlakken maken veilig werken en controle over het gereedschap in onverwachte situaties onmogelijk.
- 5) Gebruik en onderhoud accugereedschap**
- a) **Laad alleen op met de lader die door de fabrikant is gespecificeerd.** Een lader die voor een bepaalde accu geschikt is, kan brand veroorzaken wanneer deze met een andere

accu wordt gebruikt.

- b) **Gebruik elektrisch gereedschap alleen met de speciaal hiervoor bedoelde accu's.** Gebruik van andere accu's kan kans op letsel en brand geven.
 - c) **Wanneer de accu niet in gebruik is, houd deze dan uit de buurt van andere metalen voorwerpen zoals paperclips, munten, sleutels, spijkers, schroeven of andere kleine metalen voorwerpen die een verbinding tussen twee polen kunnen maken.** Kortsluiting tussen de accupolen kan brandwonden of brand veroorzaken.
 - d) **Wanneer de accu niet juist wordt gebruikt, kan er vloeistof uit lopen; raak dit niet aan. Wanneer dit per ongeluk wel gebeurt, spoel dan met water. Wanneer de vloeistof in de ogen komt, moet u een arts raadplegen.** De vloeistof uit de accu kan irritaties of brandwonden veroorzaken.
 - e) **Gebruiken niet een accu of gereedschap dat beschadigd is of gemodificeerd.** Beschadigde of gemodificeerde accu's kunnen onvoorspelbaar gedrag vertonen, wat brand, explosie of een risico van letsel met zich meebrengt.
 - f) **Stel een accu over het gereedschap niet bloot aan open vuur of een uitzonderlijk hoge temperatuur.** Blootstelling aan vuur of een temperatuur hoger dan 130 °C, kan een explosie veroorzaken. NB De temperatuur van "130 °C" kan worden vervangen door de temperatuur van "265 °F".
 - g) **Houd u aan alle instructies voor het laden en laad de accu of het gereedschap niet op buiten het temperatuurbereik dat in de instructies wordt aangeduid.** Op een onjuiste wijze laden of laden bij temperaturen buiten het aangeduide bereik kan de accu beschadigen en het risico van brand doen toenemen.
- 6) Service**
- a) **Laat uw gereedschap onderhouden door een gekwalificeerde onderhoudstechnicus die alleen gebruikmaakt van identieke vervangingsonderdelen.** Dit zorgt ervoor dat de veiligheid van de power tool intact blijft.
 - b) **Voer nooit servicewerkzaamheden uit aan beschadigde accu's.** Alleen de fabrikant of geautoriseerde service-providers mogen servicewerkzaamheden aan accu's uitvoeren.

VEILIGHEIDSVOORSCHRIFTEN VOOR DECOUPEERZAGEN

- **Houd het elektrische gereedschap vast aan de geïsoleerde oppervlakken wanneer u werkzaamheden uitvoert waardoor het accessoire in contact kan komen met verborgen bedrading.** Accessoires die bedrading onder spanning raken kunnen het gereedschap onder stroom zetten en de gebruiker een elektrische schok geven.
- **Houd uw handen uit de buurt van de plaats waar wordt gezaagd. Grijp niet onder het werkstuk.** Bij aanraking van het zaagblad bestaat verwondingsgevaar.
- **Beweeg het elektrische gereedschap alleen ingeschakeld naar het werkstuk.** Anders bestaat er gevaar voor een terugslag als het inzetgereedschap in het werkstuk vasthaakt.
- **Let erop dat de voetplaat bij het zagen stabiel ligt.** Een schuin zaagblad kan breken of tot een terugslag leiden.
- **Schakel het elektrische gereedschap na beëindiging van de werkzaamheden uit en trek het zaagblad pas uit de zaagsnede nadat het gereedschap tot stilstand is gekomen.** Zo voorkomt u een terugslag en kunt u het elektrische gereedschap veilig neerleggen.
- **Gebruik alleen onbeschadigde zaagbladen die helemaal in orde zijn.** Verbogen of niet-scherpe zaagbladen kunnen breken, het zagen negatief beïnvloeden of een terugslag veroorzaken.
- **Rem het zaagblad na het uitschakelen niet af door er aan de zijkant tegen te drukken.** Anders kan het zaagblad beschadigd worden, breken of een terugslag veroorzaken.
- **Gebruik een geschikt detectieapparaat om verborgen stroom-, gas- of waterleidingen op te sporen of raadpleeg het plaatselijke energieof waterleidingbedrijf.** Contact met elektrische leidingen kan tot brand of een elektrische schok leiden. Beschadiging van een gasleiding kan tot een explosie leiden. Breuk van een waterleiding veroorzaakt materiële schade.
- **Gebruik klemmen of een andere praktische manier om het werkstuk op een stabiel platform vast te zetten en te ondersteunen.** Het vasthouden van het werkstuk met de hand of tegen uw lichaam leidt tot instabiliteit en dit kan resulteren in het verlies van controle.
- **Wacht tot het elektrische gereedschap tot stilstand is gekomen voordat u het neerlegt.** Het inzetgereedschap kan vasthaken en dit kan tot

het verlies van de controle over het elektrische gereedschap leiden.

2. TECHNISCHE INFORMATIE

Bedoeld gebruik

De machine is bedoeld voor het zagen van hout, metaal, kunststoffen, keramiek, rubber, enz. in ieder gewenst formaat en iedere gewenste vorm, terwijl de grondplaat stevig op het werkstuk blijft rusten. Er moet altijd een geschikt zaagblad worden gebruikt.

TECHNISCHE SPECIFICATIES

| Model Nr. | JS503AC |
|----------------------------------|---|
| Spanning | 230-240V~ |
| Frequentie | 50Hz |
| Onbelast toerental | 0-3000/min |
| Max. zaagcapaciteit hout 0° | 65mm |
| Max. zaagcapaciteit staal 0° | 6mm |
| Gewicht | 1.85 kg |
| Geluidsdruk L_{PA} | 95 dB(A), K=3dB(A) |
| Geluidsniveau L_{WA} | 96 dB(A), K=3dB(A) |
| Trillingen 'zagen metalen plaat' | 10.08 m/s ² K=1.5 m/s ² |
| Trillingen 'zagen multiplex' | 9.19 m/s ² K=1.5 m/s ² |

Trillingsniveau

Het trillingsemissieniveau, dat in deze gebruiksaanwijzing wordt vermeld, is gemeten in overeenstemming met een gestandaardiseerde test volgens EN 62841; deze mag worden gebruikt om twee machines met elkaar te vergelijken en als voorlopige beoordeling van de blootstelling aan trilling bij gebruik van de machine voor de vermelde toepassingen:

- gebruik van de machine voor andere toepassingen, of met andere of slecht onderhouden accessoires, kan het blootstellingsniveau aanzienlijk verhogen.
- wanneer de machine is uitgeschakeld of wanneer deze loopt maar geen werk verricht, kan dit het blootstellingsniveau aanzienlijk reduceren.

Bescherm uzelf tegen de gevolgen van trilling door de machine en de accessoires te onderhouden, uw handen warm te houden en uw werkwijze te organiseren.

BESCHRIJVING

De nummers in de tekst verwijzen naar de diagrammen op pagina 2 - 3.

1. Schakelaar Aan / Uit
2. Stofblaasschakelaar
3. Primaire handvat
4. Hulphandgreep
5. Instelwiel toerental
6. Schakelaar voor rondgaande werking
7. Schaalverdeling voor verstekhoek
8. Stofzuigeradapter
9. Grondplaat
10. Geleideroller
11. Klemhendel
12. Bouten voor parallelle geleiding
13. Inbussleutel
14. Zaaghouder
15. Zaagblad
16. Bout voor grondplaat
17. Parallelle geleider
18. Zaagmerkteken

3. ASSEMBLAGE

Het zaagblad vervangen (Afb. A, B)



Draag beschermende handschoenen wanneer u het zaagblad monteert. Gevaar voor persoonlijk letsel wanneer u het zaagblad aanraakt.



Gebruik alleen zaagbladen waarvan de typische gegevens overeenkomen met die in de bedieningsinstructies.

Het zaagblad monteren

Let erop dat de zaagbladhouder vrij is van resten van materiaal (zoals splinters van hout of metaal).

1. Draai de klemhendel (11) zover mogelijk naar links en houd de hendel in die positie.
2. Steek het zaagblad in de zaaghouder (14). Controleer dat het zaagblad stevig bevestigd is en dat de tanden in de zaagrichting wijzen.
3. Laat de klemhendel los. Controleer dat de achterzijde van het zaagblad in het midden van de geleideroller (10) is bevestigd. Gebruik vooral het juiste zaagblad voor het te zagen metaal. Bij de machine wordt een grof zaagblad voor hout en een fijn zaagblad voor metaal en kunststof-fen geleverd.

Het zaagblad verwijderen

1. Draai de klemhendel (11) zover mogelijk naar links en houd de hendel in die positie.
2. Haal het zaagblad uit de zaaghouder (14).
3. Laat de klemhendel los.

De parallelle geleiding bevestigen (Afb. C)

1. Draai de Bouten voor parallelle geleiding (12) los.
2. Monteer de parallelle geleiding (17) op de grondplaat (9).
3. Stel de gewenste zaagbreedte in met de schaalverdeling op de parallelle geleiding (17) en met het zaagmerkteken op de grondplaat (9). Het zaagmerkteken (18) geeft de positie van het zaagblad aan.
4. Zet de Bouten voor parallelle geleiding (12) vast.

4. BEDIENING

In- en uitschakelen (Afb. A)

- Om de machine in te schakelen drukt u de aan/uit-schakelaar (1) in.
- Om de machine uit te schakelen, laat u de aan/uit-schakelaar (1) los.

Instellen van de snelheid (Afb. A)

Het instelwiel voor het toerental wordt gebruikt voor het instellen van de snelheid. De ideale snelheid is afhankelijk van het profiel en de tanden van het zaagblad en van het te bewerken materiaal.



Stel de snelheid niet in tijdens gebruik.

- Draai het instelwiel voor het toerental (5) naar de gewenste positie.
 - Gebruik voor harde materialen een zaagblad met fijne tanden en selecteer een lagere snelheid.
 - Gebruik voor zachte materialen een zaagblad met grove tanden en selecteer een hogere snelheid.

De verstekhoek aanpassen (Afb. A, D)

1. Draai de bout (16) los met de inbussleutel (13).
2. Stel de grondplaat (9) af in de gewenste positie (0° - 45°). De zaaghoek (verstek) kan worden afgelezen van de schaalverdeling (7).
3. Draai de bout (16) vast met de inbussleutel (13). U kunt de inbussleutel op de machine opbergen, zoals wordt getoond in Afb. A.

De functie voor rondgaande werking (Afb. A)

Met de schakelaar voor de slingerwerking (6) stelt u in hoe de tanden van het zaagblad in het materiaal grijpen. De schakelaar voor de slingerwerking kan in 4 standen worden gezet:

- 0 - Niet rondgaande werking
- 1 - Weinig rondgaande werking
- 2 - Middelste stand rondgaande werking
- 3 - Veel rondgaande werking

Hoeveel de functie voor de rondgaande werking moet worden toegepast kan worden bepaald door praktijktests, maar u kunt de volgende instructies in acht nemen:

- Zacht materiaal (hout, kunststoffen, enz.): stel de slinger in op niveau II of III. Met de slingerwerking ingesteld op niveau 0 of I bereikt u een fijnere en schonere zaagsnede.
- Dun materiaal, slingerwerking op niveau 0.
- Hard materiaal (hardhout, staal etc.): stel de slingerwerking in op niveau 0.
- Krommingen: stel de slingerwerking in op niveau 0.

Stofafzuiging (Fig. E)

- Sluit de slang van een stofzuiger aan op de stofafzuigadapter (8).

NB: u moet de functie Stofblazen uitschakelen wanneer u een stofzuiger gebruikt.

Functie Stofblazen (Afb. G)

U kunt met de functie Stofblazen de zaaglijn vrij houden van spaanders en vuil.

- U kunt de functie Stofblazen inschakelen door de Stofblaasschakelaar (2) naar rechts te verplaatsen, zoals in afbeelding G1 wordt getoond.
- U kunt de functie Stofblazen uitschakelen door de Stofblaasschakelaar (2) naar links te verplaatsen, zoals in afbeelding G2 wordt getoond.

Optimaal gebruik

- Klem het werkstuk vast. Gebruik klemgereedschap voor kleine werkstukken.
- Teken een lijn om de richting te bepalen waarin het zaagblad moet worden geleid.
- Houd de machine stevig vast bij de handgreep.
- Stel de zaagsnelheid in.
- Stel de verstekhoek in.
- Stel de pendelpositie in.
- Schakel de machine in.

- Wacht totdat de machine volledig op snelheid is.
- Plaats de zaagschoen op het werkstuk.
- Beweeg de machine langs de vooraf getekende lijn, waarbij de zaagschoen stevig tegen het werkstuk wordt gedrukt.
- Oefen niet te veel druk uit op de machine. Laat de machine het werk doen.
- Schakel de machine uit en wacht totdat de machine volledig tot stilstand is gekomen voordat u de machine wegzet.

5. ONDERHOUD

Verbreek altijd eerst de aansluiting op de stroomvoorziening en voer dan pas onderhoudswerk aan de machine uit.

Reinig de machinebehuizing regelmatig met een zachte doek, bij voorkeur iedere keer na gebruik. Zorg dat de ventilatiesleuven vrij van stof en vuil zijn. Gebruik bij hardnekkig vuil een zachte doek bevochtigd met zeepwater. Gebruik geen oplosmiddelen als benzine, alcohol, ammonia, etc. Dergelijke stoffen beschadigen de kunststof onderdelen.

MILIEU

Defecte en/of afgedankte elektrische of elektronische gereedschappen dienen ter verwerking te worden aangeboden aan een daarvoor verantwoordelijke instantie.

Uitsluitend voor EG-landen

Werp elektrisch gereedschap niet weg bij het huisvuil. Conform de Europese Richtlijn 2012/19/EG voor Afgedankte Elektrische en Elektronische Apparatuur en de implementatie ervan in nationaal recht moet niet langer te gebruiken elektrisch gereedschap gescheiden worden verzameld en op een milieuvriendelijke wijze worden verwerkt.

GARANTIE

VONROC producten zijn ontworpen volgens de hoogste kwaliteitsstandaarden en gegarandeerd vrij van defecten, zowel materieel als fabrieksfouten, tijdens de wettelijk vastgestelde garantieperiode vanaf de eerste aankoopdatum. Mocht het product tijdens deze periode gebreken vertonen veroorzaakt door defecte materialen en/of fabrieksfouten, neem dan rechtstreeks contact op met VONROC.

De volgende situaties vallen niet onder de garantie:

- Er zijn reparaties of aanpassingen aan de machine uitgevoerd, of er is een poging daartoe ondernomen, door een nietgeautoriseerd servicecentrum.
- Normale slijtage.
- De machine is misbruikt, verkeerd gebruikt of slecht onderhouden.
- Er zijn niet-originele reserveonderdelen gebruikt.

Dit vormt de enige garantie opgesteld door het bedrijf zowel expliciet als impliciet. Er bestaan geen andere garanties expliciet of impliciet welke verder gaan dan deze garantie, inclusief impliciete garanties van verkoopbaarheid en geschiktheid voor bepaalde doeleinden. In geen enkel geval kan VONROC aansprakelijk worden gesteld voor incidentele schade of gevolgschade. Reparaties van dealers zijn gelimiteerd tot de reparatie of vervanging van defecte producten of onderdelen.

Het product en de gebruikershandleiding zijn onderhevig aan wijzigingen. Specificaties kunnen zonder opgave van redenen worden gewijzigd.

1. AVERTISSEMENTS DE SÉCURITÉ

Consultez les avertissements de sécurité, les avertissements de sécurité additionnels ainsi que les instructions fournis ici. Le non respect des avertissements de sécurité et des instructions peut occasionner une électrocution, un incendie ou des blessures graves. Conservez les avertissements de sécurité et les instructions pour référence future.

Les symboles suivants sont utilisés dans le manuel d'utilisation ou apposés sur le produit :



Lisez le manuel d'utilisation.



Signale un risque de blessures, un danger mortel ou un risque d'endommagement de l'outil en cas de non-respect des instructions de ce manuel.



*Portez des lunettes de protection.
Portez une protection auditive.*



Ne jetez pas le produit dans des conteneurs qui ne sont pas prévus à cet effet.



Le produit est conforme aux normes de sécurité applicables des directives européennes.

CONSIGNES GÉNÉRALES DE SÉCURITÉ



AVERTISSEMENT! Veuillez lire l'intégralité des avertissements de sécurité et des instructions. Le nonrespect de toutes les instructions indiquées cidessous peut entraîner un risque de choc électrique, d'incendie et/ou de blessures graves.

Conservez ces instructions.

Le terme "appareil électrique" mentionné dans tous les avertissements cidessous se rapporte à un appareil électrique qui se branche au réseau électrique (grâce à un câble d'alimentation) ou à un appareil électrique (sans fil) fonctionnant grâce à une batterie.

1) espace de travail

- a) **Veillez toujours à garder votre espace de travail propre et bien éclairé.** Les espaces mal rangés et sombres peuvent être la cause d'accidents.

- b) **N'utilisez pas les appareils électriques dans des environnements susceptibles d'explosion, par exemple en présence de liquides inflammables, de gaz ou de particules.** Les appareils électriques provoquent des étincelles qui peuvent enflammer les particules des émanations.
- c) **Veillez à garder éloignés les enfants et les personnes se trouvant dans votre voisinage, lors de l'utilisation d'un appareil électrique.** Les distractions peuvent vous faire perdre le contrôle de l'appareil.
- 2) mesures de sécurité électriques**
- a) **Les prises des appareils électriques doivent être raccordées à la prise murale correspondante. Ne modifiez jamais la prise de l'appareil, de quelque façon que ce soit. N'utilisez pas d'adaptateurs qui mettent les appareils électriques à la terre (mise à la masse).** Des prises non modifiées et branchées à la prise murale correspondante réduiront les risques de choc électrique.
- b) **Évitez le contact direct avec les surfaces mises à la terre ou mises à la masse comme les canalisations, les radiateurs, les cuisinières et les réfrigérateurs.** En effet, le risque de choc électrique s'accroît si votre corps est mis à la terre ou à la masse.
- c) **N'utilisez pas d'outils électriques dans des environnements pluvieux ou humides.** Si de l'eau s'introduit dans un appareil électrique, le risque de choc électrique augmentera.
- d) **N'utilisez pas le câble de manière abusive. N'utilisez jamais le câble pour transporter, tirer ou débrancher l'appareil électrique. Veillez à garder le câble éloigné des sources de chaleur, des huiles, des rebords coupants ou des pièces actionnées.** Les câbles endommagés ou entremêlés augmentent le risque de choc électrique.
- e) **Lorsque un appareil est utilisé à l'extérieur, utilisez uniquement un câble prolongateur prévu à cet effet.** L'utilisation d'un câble à usage extérieur réduit le risque de choc électrique.
- f) **Si vous êtes contraint d'utiliser un outil électrique dans un environnement humide, utilisez une alimentation protégée par un dispositif à courant résiduel (RCD).** L'utilisation d'un RCD réduit le risque de décharge électrique.
- 3) Sécurité personnelle**
- a) **Restez vigilant, gardez un œil sur ce que vous faites et utilisez votre sens commun lors de l'utilisation d'un appareil électrique. N'utilisez pas un appareil électrique si vous êtes fatigué ou si vous êtes sous l'influence de drogues, d'alcool ou si vous prenez des médicaments.** Un moment d'inattention lors de l'utilisation des appareils électriques peut entraîner des blessures graves.
- b) **Utilisez un équipement de protection personnelle. Protégez-vous toujours les yeux.** Les équipements de protection, tels qu'un masque à poussière, des chaussures antidérapantes, des protections auditives ou un casque de sécurité, utilisés dans de bonnes conditions, réduiront le risque de blessures.
- c) **Prévenez tout démarrage involontaire. Assurez-vous que l'interrupteur est sur la position "arrêt avant de brancher l'appareil.** En effet, le transport des appareils électriques en gardant vos doigts sur l'interrupteur, ou le branchement de ces appareils en ayant l'interrupteur sur "marche accidents.
- d) **Retirez les clés de réglage ou les clés de vis de réglage avant d'allumer l'appareil électrique.** Une clé de vis de réglage ou une clé, laissée sur une pièce en mouvement de l'appareil électrique, peut entraîner des lésions corporelles.
- e) **Ne pas se précipiter. Gardez toujours vos pieds à plat et gardez votre équilibre.** Ceci permet de mieux contrôler l'appareil électrique dans des situations imprévues.
- f) **Habillez-vous convenablement. Ne portez pas de vêtements lâches ou de bijoux. Gardez vos cheveux, vêtements et gants éloignés des pièces actionnées.** En effet, ces derniers peuvent être pris dans les pièces en action.
- g) **Si les appareils sont fournis pour la connexion des équipements d'évacuation et de récupération de la poussière, assurez-vous que ces derniers soient correctement connectés et utilisés.** L'utilisation de ces appareils peut réduire les risques liés à la poussière.
- h) **Ne pensez pas être familiarisé avec l'outil après l'avoir utilisé à de nombreuses reprises, au point de ne plus rester vigilant et d'en oublier les consignes de sécurité.** Toute action imprudente peut engendrer de graves blessures en une fraction de seconde.

4) Utilisation et entretien d'un appareil électrique

- a) **Ne forcez pas l'appareil électrique. Utilisez l'appareil électrique adéquat pour votre application.** Un appareil électrique correctement choisi assurera un meilleur travail et un travail sans danger, au rythme auquel il a été conçu.
- b) **N'utilisez pas l'appareil électrique si l'interrupteur marche/arrêt ne fonctionne pas.** Un appareil électrique qui ne peut pas être commandé par l'interrupteur de contrôle est dangereux et doit être réparé.
- c) **Débranchez la prise du bloc d'alimentation avant d'effectuer des réglages, de changer des accessoires, ou de ranger les appareils électriques.** Ces mesures de sécurité préventives réduiront le risque de démarrage involontaire de l'appareil électrique.
- d) **Rangez les appareils électriques arrêtés hors de la portée des enfants et ne laissez aucune personne, non familiarisée avec l'outil ou ces instructions, utiliser l'appareil électrique.** Les appareils électriques sont dangereux entre les mains d'utilisateurs non formés.
- e) **Entretenez les appareils électriques. Vérifiez tout défaut d'alignement et l'enchaînement des pièces actionnées, la rupture de ces dernières, et les autres conditions qui peuvent affecter le fonctionnement des appareils électriques. En cas de dommages, faites réparer l'appareil électrique avant de le réutiliser.** Nombreux sont les accidents provoqués par des appareils électriques mal entretenus.
- f) **Veillez à garder les outils coupants aiguisés et propres.** Des outils coupants correctement entretenus avec des lames aiguisées sont moins susceptibles de se bloquer et sont plus faciles à contrôler.
- g) **Utilisez l'appareil électrique, les accessoires et les embouts, etc., conformément à ces instructions et de la manière prévue pour le type spécifique de l'appareil électrique, en prenant en compte les conditions de travail et le travail à effectuer.** L'utilisation de l'appareil électrique dans des applications différentes de celles prévues peut entraîner des situations dangereuses.
- h) **Gardez les poignées et les surfaces de préhension sèches, propres et exemptes d'huile et de graisse.** Des poignées et des surfaces de préhension glissantes ne permettent pas de manipuler et de contrôler l'outil correctement

en cas de situations inattendues.

- h) **Gardez les poignées et les surfaces de préhension sèches, propres et exemptes d'huile et de graisse.** Des poignées et des surfaces de préhension glissantes ne permettent pas de manipuler et de contrôler l'outil correctement en cas de situations inattendues.
- 5) **Utiliser et soigner les outils à batterie**
- a) **Rechargez la batterie uniquement avec le chargeur spécifié par le fabricant.** Un chargeur adapté à une certaine batterie peut être cause de danger d'incendie quand on l'utilise avec une batterie différente.
- b) **Utilisez chaque outil uniquement avec la batterie conçue pour lui.** L'utilisation de toute autre batterie peut être cause de danger de blessure ou d'incendie.
- c) **Lorsque une batterie n'est pas en usage, gardez-la hors d'atteinte d'objets métalliques tels que les trombones, pièces de monnaie, clés, clous, vis et autres petits objets métalliques pouvant faire le contact entre une borne et l'autre.** Un court-circuit entre les bornes de la batterie peut être cause de brûlures ou d'incendie.
- d) **Dans des circonstances extrêmes, du liquide peut gicler hors de la batterie ; évitez tout contact. En cas de contact accidentel, rincez à l'eau. En cas de contact du liquide avec les yeux, consultez un médecin.** Le liquide qui gicle d'une batterie peut causer irritations ou brûlures.
- e) **N'utilisez pas un bloc-batterie ou un outil endommagé ou modifié.** Une batterie endommagée ou altérée peut avoir un comportement imprévisible qui peut conduire à un incendie, une explosion ou un risque de blessure.
- f) **N'exposez pas le bloc-batterie ou l'outil au feu ou à des températures excessives.** L'exposition au feu ou à des températures dépassant 130 °C peut provoquer une explosion. REMARQUE La température de "130°C" peut être remplacé par la température de "265°F".
- g) **Respectez les instructions pour la charge et ne rechargez pas le bloc-batterie ou l'outil à une plage de températures hors de celle spécifiée dans les instructions.** Une charge mal effectuée ou à des températures hors de la plage spécifiée peut endommager la batterie et augmente le risque d'incendie.

6) Maintenance

- a) **L'entretien de votre outil électrique doit être confié à un réparateur qualifié qui utilise uniquement des pièces de rechange identiques aux pièces d'origine.** Cela permet d'assurer la sécurité de l'outil électrique.
- b) **Ne réparez jamais des blocs-batteries endommagés.** Les réparations sur les blocs-batteries ne doivent être effectuées que par le fabricant ou l'un de ses prestataires de services agréés.

INSTRUCTIONS DE SÉCURITÉ POUR SCIÉS SAUTEUSES

- **Tenez l'outil par ses surfaces de prehension isolées si vous effectuez une opération lors de laquelle l'accessoire de coupe pourrait entrer en contact avec des fils cachés sous tension.** Tout contact d'un accessoire de coupe avec un fil sous tension peut mettre les parties métalliques exposées de l'outil sous tension et provoquer un choc électrique à l'utilisateur.
- **Garder les mains à distance de la zone de sciage. Ne pas passer les mains sous la pièce à travailler.** Lors d'un contact avec la lame de scie, il y a risque de blessures.
- **N'approchez l'outil électroportatif de la pièce à travailler que quand l'appareil est en marche.** Sinon, il y a risque d'un contrecoup, au cas où l'outil se coincerait dans la pièce.
- **Veiller à ce que la plaque de base repose bien sur le matériau lors du sciage.** Une lame de scie coincée peut casser ou entraîner un contrecoup.
- **Une fois l'opération terminée, arrêter l'outil électroportatif et ne retirer la lame de scie de sa ligne de coupe que lorsque celle-ci est complètement à l'arrêt.** Ainsi, un contrecoup est évité et l'outil électroportatif peut être retiré en toute sécurité.
- **N'utiliser que des lames de scie en parfait état.** Les lames de scie déformées ou émoussées peuvent se casser, avoir des effets négatifs sur la qualité de la coupe ou causer un contrecoup.
- **Une fois l'appareil arrêté, ne pas stopper la lame de scie en exerçant une pression latérale sur celle-ci.** La lame de scie peut être endommagée, se casser ou causer un contrecoup.
- **Utiliser des détecteurs appropriés afin de déceler des conduites cachées ou consulter les entreprises d'approvisionnement locales.** Un contact avec des conduites d'électricité peut

provoquer un incendie ou un choc électrique. Un endommagement d'une conduite de gaz peut provoquer une explosion. La perforation d'une conduite d'eau provoque des dégâts matériels.

- **Utiliser des pinces ou autre moyen pratique pour fixer et soutenir la pièce à usiner sur une plateforme stable.** Tenir la pièce à usiner par la main ou contre le corps la rend instable et peut conduire à une perte de contrôle.
- **Avant de déposer l'outil électroportatif, attendre que celui-ci soit complètement à l'arrêt.** L'outil risque de se coincer, ce qui entraînerait une perte de contrôle de l'outil électroportatif.

2. INFORMATIONS RELATIVES À LA MACHINE

Utilisation prévue

La machine est conçue pour scier le bois, le métal, le plastique, la céramique, le caoutchouc, etc, quelles que soient la taille et la forme requises, en maintenant la semelle reposer fermement sur l'ouvrage. Une lame de scie adaptée doit toujours être utilisée.

SPÉCIFICATIONS TECHNIQUES

| N° de modèle | JS503AC |
|----------------------------------|---|
| Tension | 230-240V~ |
| Fréquence | 50Hz |
| Vitesse à vide | 0-3000/min |
| Capacité maximale, bois 0° | 65mm |
| Capacité maximale, acier 0° | 6mm |
| Poids | 1.85 kg |
| Pression sonore L _{PA} | 95 dB(A), K=3dB(A) |
| Puissance sonore L _{WA} | 96 dB(A), K=3dB(A) |
| Vibration 'sciage tôle' | 10.08 m/s ² K=1.5 m/s ² |
| Vibration 'sciage contre-plaqué' | 9.19 m/s ² K=1.5 m/s ² |

Niveau de vibrations

Le niveau des vibrations émises, indiqué dans ce manuel, a été mesuré conformément à la procédure décrite par la norme EN62841. Il peut être utilisé pour comparer deux outils ou pour réaliser une estimation préalable de l'exposition aux vibrations lors de l'utilisation de l'outil pour les applications mentionnées.

- L'utilisation de l'outil dans d'autres applications ou avec des accessoires différents ou mal entretenus peut considérablement augmenter le niveau d'exposition.
- La mise hors tension de l'outil et sa non-utilisation pendant qu'il est allumé peuvent considérablement réduire le niveau d'exposition.

Protégez-vous contre les effets des vibrations par un entretien correct de l'outil et de ses accessoires, en vous échauffant les mains et en organisant vos rythmes de travail.

DESCRIPTION

Les numéros dans le texte se rapportent aux schémas des page 2-3.

1. Interrupteur marche/arrêt
2. Interrupteur souffleur de poussière
3. Poignée principale
4. Poignée auxiliaire
5. Molette de réglage de la vitesse
6. Interrupteur Mouvement orbital
7. Échelle de graduation de l'angle du biseau
8. Adaptateur pour aspirateur
9. Semelle
10. Rouleau de guidage
11. Levier de serrage
12. Boulons pour le guide parallèle
13. Clé à six pans
14. Mandrin
15. Lame de scie
16. Boulon de la semelle
17. Guide parallèle
18. Repère de coupe

3. MONTAGE

Remplacer la lame de scie (Fig. A, B)



Portez des gants de protection pour installer la lame de scie. Risque de blessure en cas de contact avec la lame.



N'utilisez que des lames de scie correspondant aux caractéristiques mentionnées dans les instructions d'utilisation.

Installer la lame de scie

Assurez-vous que le porte-lame est exempt de tout débris de matériau (éclats de bois ou de métal par exemple)

1. Tournez le levier de serrage (11) aussi loin que possible vers la gauche et maintenez-le en position.
2. Insérez la lame de scie dans le mandrin (14). Contrôlez que la lame de scie est bien sécurisée et que les dents pointent dans le sens de coupe.
3. Relâchez le levier de serrage. Contrôlez que l'arrière de la lame de scie est positionnée au centre du rouleau de guidage (10). Assurez-vous d'utiliser la bonne lame de scie en fonction de la matière à scier. Une lame de scie à grosses dents pour le bois et une lame de scie à dents fines pour le métal et le plastique sont fournies avec la machine.

Retirer la lame de scie

1. Tournez le levier de serrage (11) aussi loin que possible vers la gauche et maintenez-le en position.
2. Retirez la lame de scie du mandrin (14).
3. Relâchez le levier de serrage.

Installer le guide parallèle (Fig. C)

1. Desserrez les boulons pour le guide parallèle (12).
2. Installez le guide parallèle (17) sur la semelle (9).
3. Réglez la largeur de coupe voulue à l'aide de l'échelle de graduation du guide parallèle (17) et du repère de coupe sur la semelle (9). Le repère de coupe (18) indique la position de la lame de scie.
4. Resserrez les boulons pour le guide parallèle (12).

4. FONCTIONNEMENT

Mise en marche et arrêt (Fig. A)

- Pour mettre la machine en marche, appuyez sur l'interrupteur marche/arrêt (1).
- Pour arrêter la machine, relâchez l'interrupteur marche/arrêt (1).

Réglage de la vitesse (Fig. A)

La molette de réglage de vitesse (5) sert à ajuster la vitesse. La vitesse idéale dépend du profil et des dents de la lame de scie ainsi que du matériau ouvré.



Ne réglez pas la vitesse pendant l'utilisation.

- Sélectionnez la vitesse souhaitée au moyen de la molette de réglage de vitesse (3).
 - Pour les matériaux durs, utilisez une lame de scie aux dents fines et sélectionnez une vitesse plus lente.

- Pour les matériaux mous, utilisez une lame de scie aux dents plus grossières et sélectionnez une vitesse plus rapide.
- Pour désactiver la fonction Soufflage de la poussière, déplacez l'interrupteur du souffleur de poussière (2) vers la gauche, comme illustré par la figure G2.

Régler l'angle de biseau (Fig. A, D)

1. Desserrez le boulon (16), à l'aide de la clé à six pans (13).
2. Réglez la semelle (9) à la position voulue (entre 0° et 45°). L'angle de coupe (biseau) peut être lu sur l'échelle de graduation (7).
3. Resserrez le boulon (16), à l'aide de la clé à six pans (13). Il est possible de ranger la clé à six pans dans la machine, comme illustré par la Fig. A.

Régler le mouvement orbital (Fig. A)

L'interrupteur du mouvement pendulaire (6) sert à régler la façon dont les dents de la lame de scie accrochent la matière. L'interrupteur du mouvement pendulaire permet 4 positions de réglage:

- 0 - Aucun mouvement orbital
- 1 - Faible mouvement orbital
- 2 - Mouvement orbital moyen
- 3 - Grand mouvement orbital

Le mouvement orbital requis peut être défini par des tests en respectant les instructions suivantes:

- Matière tendre (bois, plastique, etc.): réglez le mouvement pendulaire au niveau II ou III. Pour une coupe plus fine et plus propre, utilisez le niveau 0 ou I.
- Matière fine, utilisez le niveau de mouvement pendulaire 0.
- Matière dure (bois dur, acier, etc.) : réglez le mouvement pendulaire au niveau 0.
- Courbes : réglez le mouvement pendulaire au niveau 0.

Évacuation de la poussière (Fig. E)

Connectez le flexible d'un aspirateur à l'adaptateur d'extraction de poussière (8).

Remarque: la fonction Soufflage de la poussière doit être désactivée pour utiliser un aspirateur.

Fonction Soufflage de la poussière (Fig. G)

La ligne de coupe peut rester propre sans copeaux ni débris à l'aide de la fonction Soufflage de la poussière.

- Pour activer la fonction Soufflage de la poussière, déplacez l'interrupteur du souffleur de poussière (2) vers la droite, comme illustré par la figure G1.

Utilisation optimale

- Serrez la pièce à ouvrir. Utilisez un appareil de serrage pour les petites pièces.
- Tirez une ligne définissant la direction de guidage de la lame de scie.
- Tenez fermement la machine par la poignée.
- Réglez la vitesse de coupe.
- Réglez l'angle d'onglet.
- Réglez la position pendulaire.
- Mettez la machine en marche.
- Attendez que la machine atteigne son régime maximum.
- Placez le patin de scie sur la pièce à ouvrir.
- Déplacez lentement la machine le long de la ligne tracée en appuyant le patin de scie fermement contre le mur.
- N'exercez pas de pression excessive sur la machine. Laissez la machine faire le travail.
- Éteignez la machine et attendez son immobilisation totale avant de la reposer.

5. ENTRETIEN



Débranchez toujours la machine du secteur avant d'effectuer toute opération de maintenance.

Nettoyez le corps de la machine régulièrement au moyen d'un chiffon doux, de préférence après chaque utilisation. Vérifiez que les ouvertures d'aération ne sont pas obstruées ni sales. Utilisez un chiffon doux légèrement humidifié avec de la mousse de savon pour nettoyer les taches persistantes. N'utilisez pas de produits de nettoyage tels que l'essence, l'alcool, l'ammoniac, etc.; ces produits peuvent endommager les parties synthétiques.

ENVIRONNEMENT



Les équipements électroniques ou électriques défectueux ou destinés à être mis au rebut doivent être déposés aux points de recyclage appropriés.

Uniquement pour les pays de l'UE

Ne jetez pas les outils électriques avec les déchets domestiques. Selon la Directive eu-

ropéenne 2012/19/CE relative aux déchets d'équipements électriques et électroniques et sa mise en oeuvre dans le droit national, les outils électriques hors d'usage doivent être collectés séparément et mis au rebut de manière écologique.

GARANTIE

Les produits VONROC sont développés aux plus hauts standards de qualité et ils sont garantis contre les défauts de pièces et de main d'oeuvre pendant la durée légale stipulée à partir de la date d'achat d'origine du produit. En cas d'une quelconque panne du produit pendant cette durée qui serait due à un défaut matériel et/ou de main d'oeuvre, contactez directement VONROC.

Les circonstances suivantes ne sont pas prises en charge par la garantie:

- Des réparations ou altérations ont été effectuées ou tentées sur la machine par un centre de réparation non agréé.
- L'usure normale.
- L'outil a été maltraité, mal utilisé ou mal entretenu.
- Des pièces détachées non d'origine ont été utilisées.

Ceci constitue l'unique garantie accordée par la société explicitement ou implicitement. Il n'existe aucune autre garantie, explicite ou implicite, qui peut s'étendre au delà du contenu ici présent, y compris les garanties marchandes ou d'adaptation à des fins particulières. En aucun cas VONROC ne sera tenu responsable de dommages accidentels ou consécutifs. Les solutions proposées par les revendeurs devront se limiter à la réparation ou le remplacement des éléments ou pièces non conformes.

Le produit et le manuel d'utilisation sont sujets à modifications. Les spécifications peuvent changer sans préavis.

1. ADVERTENCIAS DE SEGURIDAD

Lea las advertencias de seguridad, las advertencias de seguridad adicionales y las instrucciones adjuntas. De no respetarse las advertencias de seguridad y las instrucciones, podrían producirse descargas eléctricas, incendios y/o lesiones graves. Conserve las advertencias de seguridad y las instrucciones para su posterior consulta.

Los siguientes símbolos se utilizan en el manual de usuario o en el producto:



Lee el manual del usuario.



Denota riesgo de lesiones personales, pérdida de vidas o daños a la herramienta en caso de incumplimiento de las instrucciones en este manual.



*Use gafas de seguridad.
Use protección auditiva.*



No desechar el producto en inadecuado contenedores.



El producto está de acuerdo con el normas de seguridad aplicables en el ámbito europeo directivas.

INSTRUCCIONES GENERALES DE SEGURIDAD



PRECAUCIÓN! *Lea todas las advertencias de seguridad y todas las instrucciones. Si no lo hace, el uso indebido puede acarrear cortocircuitos, fuego o lesiones graves.*

Conserve estas instrucciones.

El término "herramienta eléctrica", en todas las advertencias enumeradas a continuación se refiere a su herramienta eléctrica (i nalámbrica) que funciona con una batería o a través de la red eléctrica.

1) Área de trabajo

- a) **Trabaje en un lugar limpio y bien iluminado.** Lugares no iluminados o sucios propician accidentes.
- b) **No use herramientas eléctricas donde haya riesgo de fuego o explosión, p.ej: cerca de líquidos o gases inflamables, polvo etc.** Las herramientas eléctricas producen chispas que pueden producir la ignición de partículas de humo.
- c) **Mantenga a los niños y otras personas alejados mientras utiliza la herramienta eléctrica.** Las

distracciones pueden hacer que pierda el control de la herramienta.

2) Seguridad eléctrica

- a) **Cerciórese de que las clavijas de la herramienta eléctrica están correctamente enchufadas. Nunca modifique la clavija. No utilice ningún adaptador para la clavija de una herramienta eléctrica con conexión a tierra.** Las clavijas que no se hayan cambiado y los enchufes adecuados reducen el riesgo de cortocircuitos.
- b) **Evite el contacto humano con superficies con conexiones a tierra como tubos metálicos, conductos, tubos de la calefacción, radiadores y refrigeradores.** El riesgo de cortocircuitos es mayor cuando el cuerpo está en contacto con el suelo.
- c) **No use herramientas eléctricas bajo la lluvia o en entornos húmedos.** Si entra agua en una herramienta eléctrica aumenta el riesgo de cortocircuito.
- d) **No utilice el cable para todo. Nunca utilice el cable para mover la máquina, empujarla o sacar la clavija del enchufe. Mantenga el cable alejado del calor, aceite, zonas cortantes o piezas en movimiento.** Los cables dañados o enredados aumentan el riesgo de cortocircuito.
- e) **Use un cable alargador impermeable adecuado para exteriores cuando trabaje con la herramienta eléctrica al aire libre.** El riesgo de cortocircuito es menor si utiliza un cable alargador adecuado para exteriores.
- f) **Si no se puede evitar el uso de la herramienta eléctrica en un lugar húmedo, use suministro protegido mediante dispositivo diferencial residual (DDR).** El uso de un DDR reduce el riesgo de choque eléctrico.
- h) **No permita que la familiaridad adquirida con el uso frecuente de las herramientas le haga confiarse e ignorar los principios de seguridad de las herramientas.** Una acción descuidada puede causar lesiones graves en una fracción de segundo.

3) Seguridad personal

- a) **No se descuide, preste atención a lo que está haciendo y utilice el sentido común mientras trabaje con esta herramienta. No use herramientas eléctricas cuando esté cansado o esté bajo los efectos del alcohol, las drogas o los medicamentos.** Un momento de distracción, mientras utilice la herramienta eléctrica, puede provocar lesiones personales graves.

- b) **Use equipo de protección individual. Use siempre gafas protectoras.** El uso en condiciones apropiadas del equipo de seguridad como por ejemplo: mascarilla antipolvo, zapatos antideslizantes de seguridad, casco o protección para los oídos, disminuye el riesgo de sufrir lesiones personales.
 - c) **Evite arranques involuntarios. Asegúrese de que el interruptor está en la posición de apagado antes de conectarlo a la fuente de electricidad.** Transportar herramientas eléctricas con el dedo puesto sobre el interruptor o enchufarlas con el interruptor encendido puede causar accidentes.
 - d) **Quite cualquier llave de ajuste antes de encender la herramienta eléctrica.** Una llave olvidada junto a una pieza móvil de la herramienta eléctrica puede provocar lesiones personales graves.
 - e) **No se estire demasiado. Mantenga siempre el equilibrio y tenga los pies en el suelo.** Esto permite un mayor control de la herramienta eléctrica en situaciones inesperadas.
 - f) **Vístase apropiadamente. No lleve prendas holgadas o joyas. Mantenga su pelo, ropa y guantes alejados de las piezas móviles.** Las prendas holgadas, las joyas y el pelo largo pueden quedar atrapados en las piezas móviles.
 - g) **Si se han suministrado dispositivos para la extracción y recogida de polvo asegúrese de que estos estén conectados y se utilicen correctamente.** El uso de estos dispositivos puede reducir los riesgos relacionados con el polvo.
 - h) **Mantenga las asas y las superficies de agarre secas, limpias y libres de aceite y grasa.** Las asas y las superficies de agarre resbaladizas no permiten un manejo y control seguros de la herramienta en situaciones inesperadas.
- ## 4) Utilización y cuidados de la herramienta eléctrica
- a) **No fuerce la herramienta eléctrica. Utilice la herramienta eléctrica adecuada para el trabajo que vaya a realizar.** Una herramienta eléctrica apropiada realizará un trabajo mejor y más seguro si se utiliza para el objetivo con el que ha sido diseñada.
 - b) **No use herramientas que no pueden encenderse o apagarse con el interruptor.** Las herramientas que ya no se puedan encender y apagar son peligrosas y deben repararse.
 - c) **Desenchufe la clavija de la toma de electricidad antes de realizar modificaciones, cambiar accesorios o guardar las herramientas eléctricas.**

Tales medidas de seguridad preventivas reducen el riesgo de la puesta en marcha accidental.

- d) **Mantenga a los niños alejados de una herramienta eléctrica sin utilizar y no permita a personas que no estén familiarizadas con la máquina o estas instrucciones utilizar la herramienta.** La herramienta eléctrica puede ser peligrosa cuando la utilicen personas sin experiencia.
- e) **Conserve sus herramientas cuidadosamente. Verifique cualquier desalineación o agarrotamiento de piezas móviles, piezas dañadas y cualquier otra causa, que pudiera repercutir en el buen funcionamiento de la herramienta eléctrica. Si la herramienta está estropeada, repárela antes de utilizarla.** Muchos de los accidentes están causados por un mantenimiento insuficiente del equipo eléctrico.
- f) **Mantenga las herramientas de corte limpias y afiladas.** Sierras con esquinas cortantes con un buen mantenimiento se bloquean menos y son más fáciles de controlar.
- g) **Utilice la herramienta eléctrica, accesorios y brocas etc. Siguiendo las instrucciones atendiendo al tipo de herramienta eléctrica y tenga en cuenta las condiciones de trabajo y el tipo de trabajo que se va a realizar.** Puede ser peligroso realizar trabajos con la herramienta diferentes de aquellos para los que está diseñada.

5) Uso y cuidado de las herramientas alimentadas por batería

- a) **Recargue las baterías únicamente con el cargador recomendado por el fabricante.** Un cargador que es apto para un tipo de baterías determinado puede provocar riesgo de incendio si se usa para cargar otra clase de baterías.
- b) **Use las herramientas eléctricas sólo con las baterías indicadas específicamente.** El uso de otra clase de baterías diferente puede ocasionar el riesgo de derivar en lesiones o un incendio.
- c) **Cuando el paquete de baterías no esté en uso, consérvelo retirado de objetos metálicos como sujetapapeles, monedas, llaves, clavos, tornillos o cualquier otro objeto metálico pequeño que pueda hacer puente entre las terminales.** El contacto entre las terminales de la batería puede causar quemaduras o incendio.
- d) **Bajo condiciones extremas de abuso la batería podría expulsar un líquido; evite todo contacto. Si se produjese contacto accidentalmente, lávese bien con agua. Si el líquido hace con-**

tacto con los ojos, consulte también al médico.

El líquido emanado de la batería puede causar irritaciones o quemaduras.

- e) **No utilice una batería o una herramienta que esté dañada o modificada.** Las baterías dañadas o modificadas pueden presentar un comportamiento impredecible y provocar un incendio, una explosión o riesgo de lesiones.
- f) **No exponga una batería o una herramienta al fuego o a temperatura excesiva.** La exposición al fuego o a temperaturas superiores a 130 °C puede provocar una explosión.
NOTA La temperatura "130 °C" puede sustituirse por la temperatura "265 °F".
- g) **Siga todas las instrucciones de carga y no cargue la batería o la herramienta fuera del rango de temperatura especificado en las instrucciones.** La carga incorrecta o a temperaturas fuera del rango especificado puede causar daños a la batería y aumentar el riesgo de incendio.

6) Servicio

- a) **Haga reparar su herramienta eléctrica por una persona cualificada, usando solo piezas de repuesto idénticas.** Esto garantiza que se mantenga la seguridad de la herramienta eléctrica.
- b) **Nunca repare las baterías dañadas.** El mantenimiento de las baterías debe ser realizado solo por el fabricante o los proveedores de servicio autorizados.

ADVERTENCIAS DE SEGURIDAD PARA SIERRAS DE VAIVÉN

- **Aferre la herramienta eléctrica por las superficies de agarre aisladas cuando realice alguna operación en la que el accesorio de corte pueda entrar en contacto con cables ocultos.** Si el accesorio de corte entra en contacto con un cable con tensión, puede exponer las partes metálicas de la herramienta a tensión y ocasionar una descarga eléctrica al operador.
- **Mantenga las manos alejadas de la zona de corte. No ponga las manos debajo de la pieza de trabajo.** El contacto con la hoja de la sierra puede causar lesiones.
- **Coloque la máquina sobre la pieza de trabajo solo cuando la máquina está encendida.** De lo contrario, existe el riesgo de contragolpes si la herramienta de corte se atasca en la pieza de trabajo.
- **Preste atención a que la placa de base esté**

bien apoyada sobre el material cuando corte. Si la hoja de la sierra se atasca puede romperse o causar contragolpes.

- **Después de terminar el corte, desconecte la máquina y extraiga la hoja de la sierra del corte solo después de que se haya detenido.** De esta manera puede evitar el contragolpe y puede apoyar la máquina de forma segura.
- **Use solo hojas de sierra en perfecto estado y que no estén dañadas.** Las hojas de sierra dobladas o desafiladas pueden romperse, arruinar el corte o causar un contragolpe.
- **No frene la hoja de sierra para pararla aplicando una presión lateral después de desconectarla.** La hoja de la sierra puede dañarse, romperse o causar un contragolpe.
- **Use detectores apropiados para determinar si hay líneas de servicios ocultas en el área de trabajo o llame a la compañía de servicios local para obtener información.** Cualquier contacto con las líneas eléctricas puede provocar incendios y descargas eléctricas. Si se daña un tubo de gas, se puede provocar una explosión. Si se penetra en una línea de agua, se pueden causar daños a la propiedad.
- **Utilice mordazas u otra forma práctica de asegurar y apoyar la pieza de trabajo en una plataforma estable.** La sujeción de la pieza de trabajo con las manos o contra el cuerpo hace que esté inestable y puede llevar a perder el control.
- **Espere siempre a que la máquina se detenga completamente antes de apoyarla.** La pieza insertada puede atascarse y provocar la pérdida de control de la herramienta eléctrica.

2. INFORMACIÓN DE LA MÁQUINA

Uso previsto

La máquina ha sido diseñada para cortar madera, metales, plásticos, cerámica, caucho, etc. de cualquier tamaño y forma que sea necesario, manteniendo la placa de base bien apoyada contra la pieza de trabajo. Siempre se debe usar una hoja de sierra adecuada.

ESPECIFICACIONES TÉCNICAS

| Modelo n.º | JS503AC |
|--|---|
| Voltaje | 230-240V~ |
| Frecuencia | 50Hz |
| Velocidad sin carga | 0-3000/min |
| Cap. máx. de la sierra, madera 0° | 65mm |
| Cap. máx. de la sierra, acero 0° | 6mm |
| Peso | 1.85 kg |
| L _{PA} (Nivel de presión sonora) | 95 dB(A), K=3dB(A) |
| L _{WA} (Nivel de potencia sonora) | 96 dB(A), K=3dB(A) |
| Vibración "Corte de chapa" | 10.08 m/s ² K=1.5 m/s ² |
| Vibración "Cortar madera contrachapada" | 9.19 m/s ² K=1.5 m/s ² |

Nivel de vibración

El nivel de emisión de vibraciones indicado en este manual de instrucciones ha sido medido según una prueba estándar proporcionada en EN 62841; puede utilizarse para comparar una herramienta con otra y como valoración preliminar de la exposición a las vibraciones al utilizar la herramienta con las aplicaciones mencionadas

- al utilizarla para distintas aplicaciones o con accesorios diferentes o con un mantenimiento deficiente, podría aumentar de forma notable el nivel de exposición
- en las ocasiones en que se apaga la herramienta o cuando está funcionando pero no está realizando ningún trabajo, se podría reducir el nivel de exposición de forma importante

Protéjase contra los efectos de la vibración realizando el mantenimiento de la herramienta y sus accesorios, manteniendo sus manos calientes y organizando sus patrones de trabajo.

DESCRIPCIÓN

Los números del texto se refieren a los diagramas en la página 2-3.

1. Interruptor de Encendido/Apagado
2. Interruptor del soplador de polvo
3. Empuñadura principal
4. Empuñadura auxiliar
5. Rueda de ajuste de velocidad
6. Interruptor pendular
7. Escala para ángulo de bisel

8. Adaptador para aspiradora
9. Placa de base
10. Rodillo de guía
11. Palanca de sujeción
12. Pernos para guía paralela
13. Llave hexagonal
14. Portaherramienta
15. Hoja de la sierra
16. Tornillo para la placa de base
17. Guía paralela
18. Marca de corte

3. MONTAJE

Sustitución de la hoja de la sierra (Fig. A, B)



Cuando monte la hoja de la sierra, use guantes protectores. Peligro de lesiones al tocar la hoja de la sierra.



Utilice únicamente hojas de sierra que correspondan con los datos de las características indicados en las instrucciones de funcionamiento.

Montar la hoja de la sierra

Compruebe que el portahoja no tenga restos de material (como astillas de madera o metal).

1. Gire la palanca de sujeción (11) lo más a la izquierda posible y mantenerla en esa posición.
2. Insertar la hoja de la sierra en el mandril (14). Compruebe que la hoja de la sierra está bien sujeta y que los dientes apuntan hacia abajo.
3. Suelte la palanca de sujeción. Compruebe si la hoja de la sierra está bloqueada en su sitio. Asegúrese de usar la hoja de sierra adecuada para el material que corresponda. La máquina se suministra con una hoja de sierra para madera y una hoja de sierra fina para metal y plástico.

Desmontar la hoja de la sierra

1. Gire la palanca de sujeción (11) lo más a la izquierda posible y mantenerla en esa posición.
2. Extraer la hoja de sierra del mandril (14).
3. Suelte la palanca de sujeción.

Colocación de la guía paralela (Fig. C)

1. Afloje los pernos para guía paralela (12).
2. Monte la guía paralela (17) en la placa de base (9).
3. Ajuste el ancho de corte deseado utilizando la escala de la guía paralela (17) y la marca de corte de la placa de base (9). La marca de corte

- (18) indica la posición de la hoja de la sierra.
4. Apriete los pernos para guía paralela (12).

4. FUNCIONAMIENTO

Encendido y apagado (Fig. A)

- Para encender la máquina pulse el interruptor de Encendido/Apagado (1).
- Para apagar la máquina, suelte el interruptor de Encendido/Apagado (1).

Regulación de la velocidad (Fig. A)

La rueda de ajuste de velocidad (5) sirve para regular la velocidad. La velocidad ideal depende del perfil y de los dientes de la hoja de sierra, así como del material de trabajo.



No regule la velocidad durante el uso.

- Gire la rueda de ajuste de velocidad (5) hasta la posición necesaria.
 - En el caso de materiales duros, utilice una hoja de sierra de dientes finos y seleccione una velocidad más baja.
 - En el caso de materiales blandos, utilice una hoja de sierra de dientes gruesos y seleccione una velocidad más alta.

Ajuste del ángulo de bisel (Fig. A, D)

1. Afloje los tornillos de la placa de base (16) utilizando la llave hexagonal (13).
2. Ajuste la placa de base (9) en la posición deseada (0° - 45°). El ángulo de aserrado (bisel) se puede leer en la escala (7).
3. Apriete el tornillo (16) con la llave hexagonal (13). La llave hexagonal puede guardarse en la máquina como se muestra en la Fig. A.

Ajuste del interruptor pendular (Fig. A)

El interruptor pendular (6) se utiliza para ajustar el modo en que los dientes de la hoja de la sierra agarran el material. El interruptor pendular se puede ajustar en 4 posiciones:

- 0 - Sin péndulo
- 1 - Péndulo pequeño
- 2 - Péndulo medio
- 3 - Péndulo grande.

La acción pendular requerida puede determinarse mediante pruebas prácticas, pero se pueden seguir las siguientes instrucciones:

- Material blando (madera, plástico, etc.): ajuste el péndulo en el nivel II o III. Para un corte de sierra más fino y neto, utilice un péndulo de nivel 0 o I.
- Material delgado, use el péndulo de nivel 0.
- Material duro (madera dura, acero, etc.): ajuste el péndulo en el nivel 0.
- Curvas: ajuste el péndulo en el nivel 0.

Extracción de polvo (Fig. E)

- Conecte el tubo flexible de un aspirador al adaptador de extracción de polvo (8).

Nota: la función de soplado de polvo debe desactivarse cuando se utilice un aspirador.

Función de soplado de polvo (Fig. G)

La línea de corte puede mantenerse despejada de astillas y residuos con la función de soplado de polvo.

- Para activar la función de soplado de polvo, desplace el interruptor del soplador de polvo (2) hacia la derecha, tal como se muestra en la figura G1.
- Para desactivar la función de soplado de polvo, desplace el interruptor del soplador de polvo (2) hacia la izquierda, tal como se muestra en la figura G2.

Consejos para un uso óptimo

- Fije la pieza de trabajo. Utilice un dispositivo de fijación para piezas de trabajo pequeñas.
- Trace una línea para definir la dirección en la que guiar la hoja de sierra.
- Sujete la máquina firmemente por la empuñadura.
- Ajuste la velocidad de serrado.
- Ajuste el ángulo de inglete.
- Ajuste la posición pendular.
- Encienda la máquina.
- Espere hasta que la máquina alcance la máxima velocidad.
- Coloque la base de la sierra sobre la pieza de trabajo.
- Mueva lentamente la máquina por la línea pretrazada, presionando firmemente la base de la sierra contra la pieza de trabajo.
- No aplique demasiada presión sobre la máquina. Deje que la máquina haga el trabajo.
- Apague la máquina y espere que ésta se detenga completamente antes de dejarla.

5. MANTENIMIENTO



Antes de realizar la limpieza y el mantenimiento, apague siempre la máquina y extraiga el enchufe de la red de alimentación.

Limpie regularmente la carcasa de la máquina con un paño suave, preferentemente después de cada uso. Compruebe que los orificios de ventilación estén libres de polvo y suciedad. Elimine el polvo persistente utilizando un paño suave humedecido con agua y jabón. No use disolventes tales como gasolina, alcohol, amoníaco, etc. Tales productos químicos pueden dañar los componentes sintéticos.

MEDIOAMBIENTE



Los aparatos eléctricos o electrónicos defectuosos y/o desechados deben recogerse en lugares de reciclado apropiado.

Solo para países de la Comunidad Europea

No elimine las herramientas eléctricas como residuos domésticos. De acuerdo con la Directiva europea 2012/19/CE sobre residuos de aparatos eléctricos y electrónicos, y su transposición a las legislaciones nacionales, las herramientas eléctricas que ya no se utilizan deben recogerse por separado y eliminarse en modo ecológico.

CONDICIONES DE GARANTÍA

Los productos VONROC han sido desarrollados con los más altos estándares de calidad y VONROC garantiza que están exentos de defectos relacionados con los materiales y la fabricación durante el periodo legalmente estipulado, a contar desde la fecha de compra original. En caso de que el producto presente defectos relacionados con los materiales y/o la fabricación durante este periodo, póngase directamente en contacto VONROC.

La presente garantía se excluye en los siguientes casos:

- Si centros de servicios no autorizados han realizado o han intentado realizar reparaciones y/o alteraciones a la máquina.
- Si se ha producido un desgaste normal.
- Si la herramienta ha sido mal tratada o usada en modo impropio, o se ha realizado incorrectamente su mantenimiento.

- Si se han utilizado piezas de repuesto no originales.

La presente constituye la única garantía implícita y explícita que ofrece la compañía. No existen otras garantías explícitas o implícitas que excedan las citadas aquí, incluidas las garantías implícitas de comerciabilidad e idoneidad para una finalidad en especial. VONROC no será considerada responsable en ningún caso por daños incidentales o consecuentes. Los recursos a disposición de los distribuidores se limitan a la reparación o a la sustitución de las unidades o piezas no conformes.

El producto y el manual de usuario están sujetos a variaciones. Las especificaciones pueden variarse sin previo aviso.

1. AVVISI DI SICUREZZA

Leggere accuratamente gli avvisi di sicurezza, gli avvisi di sicurezza aggiuntivi e le istruzioni. La mancata osservanza degli avvisi di sicurezza e delle istruzioni potrebbe causare scosse elettriche, incendio e/o gravi lesioni. Mantenere gli avvisi di sicurezza e le istruzioni a portata di mano per future consultazioni.

I seguenti simboli sono utilizzati nel presente manuale utente o sul prodotto:



Leggere il manuale per l'utente.



Denota il rischio di lesioni personali, morte o danni all'utensile in caso di mancata osservanza delle istruzioni contenute nel presente manuale.



*Indossare occhiali di protezione.
Indossare protezioni per l'udito.*



Non smaltire il prodotto in contenitori non idonei.



Il prodotto è conforme agli standard pertinenti in materia di sicurezza previsti dalla legislazione Europea.

REGOLE GENERALI DI SICUREZZA



ATTENZIONE! Leggere tutte le avvertenze di sicurezza e tutte le istruzioni. Se non si seguono tutte le istruzioni sotto elencate, si può incorrere in uno shock elettrico, in un incendio e/o in lesioni serie.

Conservare queste istruzioni.

Il termine "arnese elettrico" in tutti gli avvertimenti sotto elencati si riferisce al vostro arnese elettrico che funziona a corrente (con filo) o ad un arnese che funziona a pile (senza filo).

1) Area di lavoro

- Mantenere l'area di lavoro pulita e ben illuminata.**
Aree buie e disordinate favoriscono gli incidenti.
- Non usare arnesi elettrici in atmosfere esplosive, come vicino ai liquidi infiammabili, gas o polveri.** Gli arnesi elettrici creano scintille che possono incendiare la polvere dei vapori.

- c) **Tenere lontani bambini e altre persone mentre si accende l'arnese elettrico.** Le distrazioni possono farvi perdere il controllo.
- 2) Sicurezza elettrica**
- a) **Le spine dell'arnese elettrico devono andare bene per la presa di corrente. Non modificare mai la spina in alcun modo. Non usare alcun adattatore con arnesi elettrici a terra (messo a terra).** Spine non modificate che vanno bene per le prese di corrente ridurranno il rischio di shock elettrico.
- b) **Evitare il contatto corporeo con superfici a terra come tubature, radiatori, fornelli e refrigeratori.** C'è un rischio maggiore di shock elettrico se il vostro corpo è a terra.
- c) **Non esporre arnesi elettrici alla pioggia o a condizioni di umidità.** Se dell'acqua penetra nell'arnese elettrico aumenterà il rischio di shock elettrico.
- d) **Non abusare del filo. Non usare mai il filo per trasportare, spingere o staccare dalla presa l'arnese elettrico. Tenere il filo lontano da calore, olio, bordi taglienti o parti mobili.** Fili danneggiati o aggrovigliati aumentano il rischio di shock elettrico.
- e) **Quando si accende un arnese elettrico all'aperto, usare una prolunga adatta a tale uso.** Usare un filo adatto all'uso all'aperto ridurrà il rischio di shock elettrico.
- f) **Se non è possibile evitare l'uso di un elettrotensile in ambiente umido, usare una rete di alimentazione protetta da un interruttore differenziale (salvavita).** L'uso di un salvavita riduce il rischio di scosse elettriche.
- 3) Sicurezza personale**
- a) **Stare vigili e attento quando si accende un arnese elettrico. Non usare un arnese elettrico mentre si è stanco o sotto l'effetto di droghe, alcool o medicinali.** Un momento di disattenzione mentre si accendono arnesi elettrici può causare delle gravi lesioni personali.
- b) **Usare dispositivi di protezione individuale. Indossare sempre una protezione per gli occhi.** Dispositivi di sicurezza come mascherina per la polvere, scarpe di sicurezza antiscivolo, casco, o protezioni per le orecchie usate nelle appropriate condizioni, ridurranno le lesioni personali.
- c) **Prevenire l'avvio accidentale. Assicurarsi che l'interruttore sia spento prima di collegarsi.** Trasportare elettrotensili tenendo il dito sull'interruttore di accensione o dare corrente ad elettrotensili con l'interruttore acceso può dare luogo a incidenti.
- d) **Rimuovere ogni chiave regolatrice o chiave per dadi prima di accendere l'arnese elettrico.** Una chiave per dadi o una chiave lasciata attaccata ad una parte rotante dell'arnese elettrico può provocare lesioni personali.
- e) **Cercare di mantenere l'equilibrio. Mantenere sempre un punto d'appoggio appropriato.** Questo consente un controllo migliore dell'arnese elettrico in situazioni inaspettate.
- f) **Vestirsi adeguatamente. Non indossare vestiti larghi o gioielli. Tenere lontano capelli, vestiti e guanti dalle parti mobili.** Vestiti larghi, gioielli o capelli lunghi possono essere presi nelle parti mobili.
- g) **Se vengono forniti dispositivi per la connessione dell'estrazione della polvere e attrezzature di raccolta, assicurarsi che questi siano collegati e usati correttamente.** L'uso di questi dispositivi può ridurre i rischi correlati alla polvere.
- h) **Non lasciare che la confidenza acquisita dall'uso frequente induca l'utilizzatore ad assumere comportamenti imprudenti e a ignorare i principi di sicurezza per l'utensile.** Una semplice distrazione può provocare gravi lesioni personali in una frazione di secondo.
- 4) Uso e manutenzione dell'arnese elettrico**
- a) **Non forzare l'arnese elettrico. Usare l'arnese elettrico corretto per il vostro impiego.** L'arnese elettrico corretto farà il lavoro meglio e in maniera più sicura alla velocità per la quale è stato progettato.
- b) **Non usare l'arnese elettrico se l'interruttore non si accende o non si spegne.** Ogni arnese elettrico che non può essere controllato con l'interruttore è pericoloso e deve essere riparato.
- c) **Scollegare la spina dalla sorgente di elettricità prima di fare qualsiasi regolazione, cambiare gli accessori, o conservare arnesi elettrici.** Tali misure di sicurezza preventive riducono il rischio di accendere l'arnese elettrico accidentalmente.
- d) **Conservare gli arnesi elettrici inattivi fuori dalla portata dei bambini e non permettere a persone che non hanno confidenza con l'arnese elettrico o con queste istruzioni di usare l'arnese elettrico.** Gli arnesi elettrici sono pericolosi per utenti inesperti.
- e) **Mantenere gli arnesi elettrici. Controllare il non allineamento o l'attacco di parti mobili, la**

rottura di parti ed ogni altra condizione che può influire sul funzionamento degli arnesi elettrici. Se è danneggiato, far riparare l'arnese elettrico prima dell'uso. Molti incidenti sono causati da arnesi elettrici mantenuti male.

- f) **Mantenere gli arnesi da taglio affilati e puliti.** È meno probabile che si attacchino degli arnesi da taglio mantenuti correttamente con tagli affilate e questi sono anche più facili da controllare.
- g) **Usare l'arnese elettrico, gli accessori e le parti dell'arnese ecc, secondo queste istruzioni e nel modo pensato per il particolare tipo di arnese elettrico, tenendo conto delle condizioni di lavoro e del lavoro da svolgere.** L'uso dell'arnese elettrico per operazioni diverse da quelle pensate potrebbe causare situazioni pericolose.
- h) **Mantenere le impugnature e le superfici di presa asciutte, pulite e libere da olio e grasso.** Impugnature e superfici di presa scivolose non consentono di maneggiare e controllare in sicurezza l'utensile in situazioni imprevedute.
- 5) **Uso e manutenzione dell'utensile a batteria**
- a) **Ricaricare l'apparecchio esclusivamente con il caricabatterie specificato dal fabbricante.** Se si utilizza un caricabatterie di diverso tipo potrebbero verificarsi incendi.
- b) **Utilizzare gli utensili elettrici solo con i pacchi batterie appositamente prescritti.** L'uso di pacchi batterie di diverso tipo aumenta il rischio di infortunio o incendio.
- c) **Quando il pacco batterie non è in uso, tenerlo lontano da oggetti metallici quali fermagli, monete, chiavi, chiodi, viti o altri piccoli oggetti metallici che potrebbero mettere in collegamento i due poli.** Se i poli vengono messi in corto circuito, la batteria potrebbe emettere scintille o fiammate.
- d) **In condizioni di uso scorretto, la batteria potrebbe emettere liquido: evitare pertanto di entrarvi in contatto. In caso di contatto accidentale, risciacquare con acqua. Se il liquido entra a contatto con gli occhi, consultare immediatamente un medico.** Il liquido emesso dalla batteria può causare irritazioni o ustioni.
- e) **Non utilizzare un pacco batterie o l'utensile se danneggiati o manomessi.** Pacchi batterie danneggiati o manomessi potrebbero avere comportamenti impreveduti con il rischio di incendiarsi, esplodere o provocare lesioni a persone.
- f) **Non esporre un pacco batterie o l'utensile alle fiamme o a temperature eccessivamente**

elevate. L'esposizione alle fiamme o a temperature superiori a 130 °C potrebbe provocare un'esplosione. NOTA: la temperatura di "130 °C" corrisponde a "265 °F".

- g) **Seguire tutte le istruzioni per la ricarica e non caricare il pacco batterie o l'utensile a temperature che non rientrino nell'intervallo specificato nelle istruzioni.** Se si effettua la ricarica in modo improprio o a temperature non comprese nell'intervallo specificato, il pacco batterie potrebbe subire danni e potrebbe aumentare il rischio di incendi.
- 6) **Riparazione**
- a) **L'assistenza per l'elettrostrumento deve essere prestata da un tecnico qualificato che utilizzi soltanto ricambi originali.** In questo modo viene garantita la sicurezza dell'elettrostrumento.
- b) **Non tentare di riparare pacchi batterie danneggiati.** La riparazione dei pacchi batteria deve essere effettuata esclusivamente dal produttore o presso centri di assistenza autorizzati.

AVVERTENZE DI SICUREZZA PER I SEGHETTI ALTERNATIVI

- **Quando si eseguono operazioni in cui l'accessorio da taglio può entrare in contatto con fili elettrici nascosti, tenerlo esclusivamente dalle impugnature, che sono isolate.** Gli accessori da taglio che vengono a contatto con un cavo sotto tensione trasmettono la corrente elettrica anche alle parti metalliche esposte dell'elettrostrumento con il pericolo di provocare la folgorazione dell'operatore.
- **Tenere le mani lontane dalla zona di taglio. Non sporgersi sotto il pezzo in lavorazione.** Il contatto con la lama del seghetto può provocare lesioni personali.
- **Appoggiare la lama sul pezzo in lavorazione solo una volta acceso l'elettrostrumento.** In caso contrario sussiste il pericolo di contraccolpo, se l'utensile da taglio si dovesse inceppare nel pezzo in lavorazione.
- **Prestare attenzione a che la piastra di base poggi saldamente sul materiale durante l'esecuzione del taglio.** Se la lama si inceppa può rompersi o provocare un contraccolpo.
- **Una volta terminata l'esecuzione del taglio, spegnere l'elettrostrumento e, prima di estrarre la lama dal taglio eseguito, attendere che si sia arrestata completamente.** In questo modo è possibile evitare contraccolpi e appoggiare la

macchina in sicurezza.

- **Usare esclusivamente lame integre, in perfette condizioni.** Lame deformate o non affilate possono rompersi, influenzare negativamente il taglio oppure causare un contraccolpo.
- **Dopo aver spento l'elettrotensile, non cercare di arrestare la lama esercitando una pressione laterale.** La lama può danneggiarsi, rompersi o provocare un contraccolpo.
- **Utilizzare rilevatori appropriati per stabilire se nell'area di lavoro sono presenti fili elettrici o tubature nascosti oppure telefonare all'azienda di erogazione locale per richiedere assistenza.** Un contatto accidentale con un filo elettrico può provocare un incendio e una scossa elettrica. Una tubatura del gas danneggiata può causare un'esplosione. La perforazione di una tubatura dell'acqua provoca danni materiali.
- **Utilizzare morsetti o altri metodi analoghi per sostenere il pezzo in lavorazione e assicurarlo su una piattaforma stabile.** Se si tiene il pezzo in lavorazione con una mano o contro il proprio corpo, il pezzo non è fissato in modo stabile e si potrebbe perdere il controllo.
- **Attendere sempre che l'elettrotensile si sia arrestato completamente prima di appoggiarlo.** L'utensile accessorio può incepparsi e portare alla perdita di controllo dell'elettrotensile.

2. INFORMAZIONI RELATIVE ALL'ELETTROUTENSILE

Uso previsto

Questo elettrotensile è destinato all'esecuzione di tagli di qualsiasi dimensione e forma in legno, materie plastiche, ceramica, gomma, ecc., mantenendo la piastra di base saldamente appoggiata sul pezzo in lavorazione. Usare sempre una lama idonea.

DATI TECNICI

| | |
|--------------------------------------|----------------|
| Numero modello | JS503AC |
| Tensione | 230-240V~ |
| Frequenza | 50Hz |
| Velocità in assenza di carico | 0-3000/min |
| Max. capacità di segatura legno 0° | 65mm |
| Max. capacità di segatura acciaio 0° | 6mm |
| Peso | 1.85 kg |

| | |
|---|---|
| L _{PA} (Livello pressione sonora) | 95 dB(A), K=3dB(A) |
| L _{WA} (Livello di potenza sonora) | 96 dB(A), K=3dB(A) |
| Vibrazioni "Segatura di lamiera" | 10.08 m/s ² K=1.5 m/s ² |
| Vibrazioni "Segare compensato" | 9.19 m/s ² K=1.5 m/s ² |

Livello delle vibrazioni

Il livello di emissione delle vibrazioni indicato sul retro di questo manuale di istruzioni è stato misurato in conformità a un test standardizzato stabilito dalla norma EN 62841; questo valore può essere utilizzato per mettere a confronto un l'utensile con un altro o come valutazione preliminare di esposizione alla vibrazione quando si impiega l'utensile per le applicazioni menzionate.

- se si utilizza l'utensile per applicazioni diverse, oppure con accessori differenti o in scarse condizioni, il livello di esposizione potrebbe aumentare notevolmente.
- i momenti in cui l'utensile è spento oppure è in funzione ma non viene effettivamente utilizzato per il lavoro, possono contribuire a ridurre il livello di esposizione.

Proteggersi dagli effetti della vibrazione effettuando la manutenzione dell'utensile e dei relativi accessori, mantenendo le mani calde e organizzando i metodi di lavoro.

DESCRIZIONE

I numeri che compaiono nel testo si riferiscono agli schemi riportati a pagina 2-3.

1. Interruttore On/Off
2. Interruttore del dispositivo di soffiaggio polveri
3. Impugnatura principale
4. Impugnatura ausiliaria
5. Selettore di regolazione della velocità
6. Selettore del movimento pendolare
7. Scala per angolo di taglio inclinatore
8. Adattatore aspirapolvere
9. Piastra di base
10. Rullo guida
11. Leva di bloccaggio
12. Bulloni per guida parallela
13. Chiave a brugola
14. Mandrino
15. Lama del seghetto
16. Bullone piastra di base
17. Guida parallela
18. Marcatura di taglio

3. ASSEMBLY

Sostituzione della lama (Fig. A, B)



Per installare la lama indossare guanti di protezione. Pericolo di lesioni personali in caso di contatto con la lama della sega.



Utilizzare esclusivamente lame che corrispondano alle caratteristiche riportate nelle istruzioni per l'uso.

Installazione della lama

Assicurarsi che il portalama sia libero da residui di materiale (come schegge di legno o di metallo).

1. Ruotare la leva di bloccaggio lama (11) il più possibile verso sinistra e mantenerla in quella posizione.
2. Inserire la lama nel mandrino (14). Verificare che la lama sia fissata saldamente e che i denti siano rivolti verso il basso.
3. Lasciare la leva di bloccaggio lama. Controllare che la lama sia bloccata in posizione. Assicurarsi di utilizzare la lama idonea per il materiale da tagliare. In dotazione con la sega viene fornita una lama da legno per tagli grossolani e una lama da metalli e materiali plastici per tagli fini.

Rimozione della lama

1. Ruotare la leva di bloccaggio lama (11) il più possibile verso sinistra e mantenerla in quella posizione.
2. Rimuovere la lama dal mandrino (14).
3. Lasciare la leva di bloccaggio lama.

Fissaggio della guida parallela (Fig. C)

1. Allentare i bulloni per guida parallela (12).
2. Fissare la guida parallela (17) sulla piastra di base (9).
3. Regolare la profondità di tagli desiderata utilizzando la scala sulla guida parallela (17) e la marcatura di taglio sulla piastra di base (9). La marcatura di taglio (18) indica la posizione della lama.
4. Serrare i bulloni per guida parallela (12).

4. FUNZIONAMENTO

Accensione e spegnimento (Fig. A)

- Per accendere l'elettrotensile rilasciare l'interruttore On/Off (1).
- Per spegnere l'elettrotensile rilasciare l'interruttore On/Off (1).

Impostazione della velocità (Fig. A)

La rotella di regolazione velocità (5) serve per impostare la velocità. La velocità ideale dipende dal profilo e dai denti della lama oltre che dal materiale da tagliare.



Non impostare la velocità durante l'uso dell'elettrotensile.

- Ruotare la rotella di regolazione velocità (5) sulla posizione richiesta.
 - Per i materiali duri usare una lama a denti fini e selezionare una velocità bassa.
 - Per i materiali teneri usare una lama a denti grossi e selezionare una velocità alta.

Regolazione dell'angolo di taglio inclinato (Fig. A, D)

1. Allentare il bullone (16) con la chiave a brugola (13) in dotazione.
2. Regolare la piastra di base (9) nella posizione desiderata (0°- 45°). Il corrispondente angolo di taglio inclinato può essere letto sulla scala (18).
3. Serrare il bullone (16) con la chiave a brugola (13) in dotazione. La chiave a brugola può essere conservata sulla macchina, come illustrato nella Fig. A.

Regolazione del movimento pendolare (Fig. A)

L'interruttore del movimento pendolare (6) viene usato per stabilire il modo in cui i denti della lama fanno presa sul materiale. Il selettore del movimento pendolare può essere regolato in 4 posizioni:

- 0 - Nessun movimento pendolare
- 1 - Movimento pendolare ridotto
- 2 - Movimento pendolare medio
- 3 - Movimento pendolare elevato

Il movimento pendolare richiesto può essere stabilito con una prova pratica, tuttavia è possibile attenersi alle indicazioni seguenti:

- Materiale morbido (legno, materiale plastico, ecc.): utilizzare il movimento pendolare al livello II o III. Per ottenere un taglio più fine e più pulito utilizzare il movimento pendolare al livello 0 o I.
- Materiale di spessore ridotto: utilizzare il movimento pendolare al livello 0.
- Materiale duro (legno duro, acciaio ecc.): utilizzare il movimento pendolare al livello 0.
- Curve: utilizzare il movimento pendolare al livello 0.

Aspirazione della polvere (Fig. E)

- Collegare il flessibile di un aspirapolvere all'adattatore di estrazione delle polveri (8).

Nota: la funzione di soffiaggio delle polveri deve essere disattivata se si utilizza un aspiratore.

Funzione di soffiaggio polveri (Fig. G)

La linea di taglio può essere mantenuta libera da trucioli e detriti utilizzando la funzione di soffiaggio delle polveri.

- Per attivare tale funzione, spostare l'interruttore del dispositivo di soffiaggio polveri (2) verso destra, come mostrato nella Figura G1.
- Per attivare tale funzione, spostare l'interruttore del dispositivo di soffiaggio polveri (2) verso sinistra, come mostrato nella Figura G2.

Suggerimenti per un uso ottimale

- Bloccare il pezzo in lavorazione. Utilizzare un dispositivo di bloccaggio per eseguire tagli su piccoli pezzi.
- Tracciare una linea per definire la direzione in cui muovere la lama.
- Tenere saldamente l'elettrotensile mediante l'impugnatura.
- Impostare la velocità di segatura.
- Impostare l'angolo di quartabuono.
- Impostare la posizione pendolare.
- Accendere l'elettrotensile.
- Attendere finché l'elettrotensile non ha raggiunto la massima velocità.
- Posizionare la scarpa della sega sul pezzo in lavorazione.
- Muovere lentamente l'elettrotensile lungo la linea tracciata precedentemente, premendo saldamente la scarpa della sega contro il pezzo in lavorazione.
- Non esercitare una pressione eccessiva sull'elettrotensile. Lasciare che l'elettrotensile effettui il lavoro di taglio.
- Prima di appoggiare l'elettrotensile, spegnerlo e attendere che si arresti completamente.

5. MANUTENZIONE

Prima di eseguire qualsiasi operazione di pulizia e intervento di manutenzione spegnere sempre l'elettrotensile e staccare la spina dalla presa di corrente.

Pulire regolarmente il corpo dell'elettrotensile con un panno morbido, preferibilmente dopo ogni uso. Assicurarsi che le prese d'aria siano libere da polvere e sporcizia. Rimuovere lo sporco particolarmente ostinato con un panno morbido inumidito con acqua e sapone. Non utilizzare solventi come benzina, alcol, ammoniaca, ecc. Le sostanze chimiche di questo tipo danneggiano i componenti sintetici.

RISPETTO AMBIENTALE

Se si prevede che la macchina non verrà usata per molto tempo si consiglia di conservare le batterie cariche.

Solo per i Paesi CE

Non smaltire gli elettrotensili insieme ai rifiuti domestici. Secondo la Direttiva europea 2012/19/EC sui rifiuti delle apparecchiature elettriche ed elettroniche e relativa implementazione nelle normative locali, gli elettrotensili ormai inutilizzabili devono essere raccolti separatamente e smaltiti in modo ecologico.

DEFINIZIONI DELLA GARANZIA

I prodotti VONROC sono sviluppati secondo i più elevati standard di qualità e viene garantita l'assenza di difetti nei materiali e nella manodopera per il periodo contrattuale a partire dalla data di acquisto originale. Qualora il prodotto dovesse subire un guasto qualsiasi durante questo periodo a causa di difetti nei materiali e/o nella manodopera, si prega di contattare direttamente il VONROC.

Le seguenti circostanze sono escluse da questa garanzia:

- Riparazioni e/o modifiche alla macchina sono state eseguite o tentate da centri di assistenza non autorizzati.
- Normale usura.
- L'utensile è stato abusato, utilizzato o manutenu- to in modo improprio.
- Sono state utilizzate parti di ricambio non originali

Ciò costituisce l'unica garanzia espressa o implicita fornita dall'azienda. Non esistono altre garanzie espresse o implicite che si estendono oltre il presente documento, ivi comprese le garanzie implicite di commerciabilità e idoneità per uno scopo particolare. In nessun caso VONROC sarà responsa-

bile di eventuali danni incidentali o consequenziali. I rimedi dei rivenditori saranno limitati alla riparazione o sostituzione di unità o parti non conformi.

Il prodotto e il manuale per l'utente sono soggetti a modifiche. I dati tecnici possono essere modificati senza ulteriore notifica.

1. INSTRUKCJĘ DOTYCZĄCĄ BEZPIECZEŃSTWA

Przeczytać dołączone ostrzeżenia dotyczące bezpieczeństwa, dodatkowe ostrzeżenia dotyczące bezpieczeństwa oraz instrukcję. Nieprzestrzeganie ostrzeżeń dotyczących bezpieczeństwa oraz instrukcji może prowadzić do porażenia prądem, pożaru i/lub poważnych obrażeń ciała. Zachować ostrzeżenia dotyczące bezpieczeństwa oraz instrukcje na przyszłość.

Następujące symbole są umieszczone w instrukcji obsługi lub na produkcie:



Przeczytać instrukcję obsługi.



Oznacza ryzyko obrażeń ciała, śmierci lub uszkodzenia narzędzia w razie nieprzestrzegania poleceń z instrukcji.



*Nosić okulary ochronne.
Nosić ochronniki słuchu.*



Nie wyrzucać produktu do nieodpowiednich pojemników.



Produkt spełnia wymogi odpowiednich norm bezpieczeństwa podanych w dyrektywach UE.

OGÓLNE ZALECENIA DOTYCZĄCĄ BEZPIECZEŃSTWA



UWAGA! Przeczytać wszystkie ostrzeżenia dotyczące bezpieczeństwa i wszystkie instrukcje. Nieprzestrzeganie wszystkich poniższych instrukcji może być przyczyną porażenia prądem, pożaru i/lub poważnych obrażeń.

Zachowaj poniższe instrukcje.

Termin „elektronarzędzia akumulatorowe” we wszystkich ostrzeżeniach zamieszczonych poniżej odnosi się do elektronarzędzi akumulatorowych zasilanych sieciowo (przewodowych) lub elektronarzędzi akumulatorowych działających na baterie (beprzewodowych).

1) Obszar roboczy

- a) **Obszar roboczy należy utrzymywać w czystości.**
Powinien on być dobrze oświetlony. Nieład i złe

- oświetlenie mogą z łatwością doprowadzić do wypadku.
- b) **Nie korzystaj z elektronarzędzi akumulatorowych w warunkach, w których łatwo może dojść do wybuchu, np. w obecności łatwopalnych cieczy, gazów lub pyłu.** Podczas pracy elektronarzędzi akumulatorowych powstają iskry, które mogą doprowadzić do zapłonu pyłu lub oparów.
 - c) **Dzieci i inne osoby postronne powinny pozostać w bezpiecznej odległości od pracującego urządzenia.** Rozproszenie uwagi może spowodować utratę kontroli nad urządzeniem.
- 2) Bezpieczeństwo związane z elektrycznością**
- a) **Wtyczki elektronarzędzi akumulatorowych muszą być odpowiednie do danego gniazda. Pod żadnym pozorem nie należy modyfikować wtyczki w jakikolwiek sposób. Nie należy używać adapterów, które uziemiają elektronarzędzia akumulatorowe.** Stosowanie wtyczek nie poddanych modyfikacjom oraz odpowiednich gniazd zmniejsza ryzyko porażenia prądem.
 - b) **Należy unikać bezpośredniego kontaktu fizycznego z powierzchniami uziemionymi, takimi jak rury, grzejniki, kuchenki, lodówki.** Ryzyko porażenia prądem jest większe, jeśli ciało osoby obsługującej urządzenie jest uziemione.
 - c) **Nie należy wystawiać elektronarzędzi akumulatorowych na działanie deszczu lub wilgoci.** Dostanie się wody do wnętrza elektronarzędzia akumulatorowego zwiększy ryzyko porażenia prądem.
 - d) **Nie należy używać przewodu w niewłaściwy sposób. Pod żadnym pozorem nie należy wykorzystywać przewodu do przenoszenia lub ciągnięcia elektronarzędzia akumulatorowego, ani do jego odłączania od sieci. Przewodu nie należy wystawiać na działanie ciepła, smarów. Powinien on znajdować się w bezpiecznej odległości od ostrych krawędzi i części ruchomych.** Przewody uszkodzone lub poplątane zwiększają ryzyko porażenia prądem.
 - e) **Podczas korzystania z elektronarzędzia akumulatorowego na wolnym powietrzu, należy używać przewodu przedłużacza przystosowanego do użytku na zewnątrz.** Używanie przewodu nadającego się do użytku na wolnym powietrzu zmniejsza ryzyko porażenia prądem.
 - f) **Jeśli obsługa elektronarzędzia w wilgotnym miejscu jest nieunikniona, użyć zasilania**
- wyposażonego w wyłącznik różnicowo-prądowy.** Użycie wyłącznika różnicowo-prądowego zmniejsza ryzyko porażenia prądem.
- 3) Bezpieczeństwo osoby obsługującej urządzenie**
- a) **Przez cały czas należy mieć się na baczności, uważać na to, co się robi, a w czasie obsługi elektronarzędzia akumulatorowego postępować mając na uwadze zdrowy rozsądek. Urządzenia nie powinny obsługiwać osoby zmęczone lub będące pod wpływem narkotyków, alkoholu lub leków.** Chwila nieuwagi w czasie obsługi elektronarzędzi akumulatorowych może być przyczyną powstania poważnych obrażeń ciała.
 - b) **Należy korzystać ze sprzętu ochronnego oraz zawsze nosić okulary ochronne.** Sprzęt ochronny, jak na przykład maska przeciwpyłowa, antypoślizgowe obuwie ochronne, kask lub słuchawki ochronne używany we właściwych sytuacjach pozwoli na zmniejszenie ryzyka obrażeń ciała.
 - c) **Unikać niezamierzonego uruchomienia. Przed podłączeniem urządzenia do sieci, zawsze sprawdzić, czy przełącznik znajduje się w pozycji „wyłączony”.** Przenoszenie elektronarzędzi z palcem na przełączniku lub włączonych elektronarzędzi z przełącznikiem w położeniu włączenia jest bardzo niebezpieczne i może powodować wypadki.
 - d) **Przed włączeniem elektronarzędzia akumulatorowego należy usunąć z niego wszystkie klucze nastawcze lub maszynowe.** Pozostawienie klucza zamocowanego na jednej z części obrotowych urządzenia może spowodować powstanie obrażeń ciała.
 - e) **Nie należy sięgać ponad urządzeniem. Przez cały czas należy zachować odpowiednią równowagę i zapewnić odpowiednie oparcie dla stóp.** Pozwoli to na lepsze kontrolowanie urządzenia w nieoczekiwanych sytuacjach.
 - f) **Należy nosić odpowiednie ubranie. Do pracy z urządzeniem nie wkładać luźnych ubrań ani biżuterii. Włosy, ubranie i rękawiczki trzymać z dala od części ruchomych.** Luźne części ubrania, biżuteria lub długie włosy mogą zostać wciągnięte przez części ruchome.
 - g) **Jeśli w urządzeniu przewidziano elementy służące do odprowadzania i zbierania pyłu, należy sprawdzić, czy są podłączone, i czy działają we właściwy sposób.** Korzystanie z tego typu elementów pozwala ograniczyć ryzyko

związane z wydzielaniem pyłu podczas pracy urządzenia.

- h) **Nie zezwalać na to, aby rutyna związana z częstym korzystaniem z narzędzi powodowała nadmierną pewność siebie i ignorowanie zasad bezpiecznego korzystania z narzędzi.** Nieodpowiedzialne działanie może spowodować poważne obrażenia ciała w ułamku sekundy.

4) Obsługa i konserwacja elektronarzędzi akumulatorowych

- a) **Urządzenia nie należy przeciążać. Należy korzystać z narzędzia odpowiedniego do danego typu pracy.** Odpowiednio dobrane urządzenie pozwoli na lepsze i bezpieczniejsze wykonanie pracy, we właściwym dla urządzenia tempie.
- b) **Z elektronarzędzia akumulatorowego nie należy korzystać, jeśli nie można go włączyć i wyłączyć przy pomocy przełącznika.** Urządzenie, którego nie można kontrolować używając przełącznika jest niebezpieczne i powinno być oddane do naprawy.
- c) **Przed przystąpieniem do regulowania elektronarzędzi akumulatorowych, wymiany akcesoriów lub przygotowywania urządzeń do okresu przechowywania, należy odłączyć wtyczkę od źródła zasilania.** Tego typu środki ostrożności zmniejszają ryzyko przypadkowego uruchomienia urządzenia.
- d) **Nieczynne elektronarzędzia akumulatorowe należy przechowywać poza zasięgiem dzieci. Nie należy pozwolić, aby osoby nie znające urządzenia lub niniejszych instrukcji obsługiwały urządzenie.** Elektronarzędzia akumulatorowe w rękach niekompetentnych użytkowników stanowią zagrożenie.
- e) **Elektronarzędzia akumulatorowe należy utrzymywać w dobrym stanie technicznym. Należy sprawdzać, czy części ruchome są właściwie założone, i czy się nie zacinają. Należy również sprawdzać, czy jakieś części nie są uszkodzone oraz sprawdzać wszelkie inne elementy, które mogą wpłynąć na pracę urządzeń. Jeśli urządzenie jest uszkodzone, przed przystąpieniem do jego użytkowania, należy je naprawić.** Częstą przyczyną wypadków jest zły stan techniczny urządzeń.
- f) **Narzędzia służące do cięcia powinny być naostrzone i utrzymywane w czystości.** Jeśli narzędzia służące do cięcia, które posiadają ostre krawędzie tnące, są właściwie konserwowane, istnieje mniejsze prawdopodobieństwo ich

zacinania się. Ponadto, łatwiej je kontrolować.

- g) **Elektronarzędzia akumulatorowego, akcesoriów, nakładek, itp. należy używać zgodnie z niniejszymi instrukcjami oraz w sposób właściwy dla danego rodzaju urządzenia, z uwzględnieniem warunków pracy oraz jej rodzaju.** Używanie urządzenia niezgodnie z przeznaczeniem może prowadzić do powstania sytuacji niebezpiecznych.
- h) **Uchwyty należy utrzymywać w stanie suchym, czystym i niezabrudzonym olejem lub smarem.** Śliskie uchwyty i powierzchnie do chwytania nie pozwalają na bezpieczne obchodzenie się z narzędziem i panowanie nad nim w nieoczekiwanych sytuacjach.

5) Użytkowanie i konserwacja urządzenia zasilanego akumulatorami

- a) **Ładować tylko przy użyciu ładowarki określonej przez producenta.** Ładowarka przewidziana dla jednego rodzaju akumulatorów stwarza ryzyko pożaru w przypadku użycia jej z innym zestawem akumulatorów.
- b) **Należy używać jedynie akumulatorów przeznaczonych dla danego urządzenia.** Użycie innych akumulatorów stwarza ryzyko wystąpienia obrażeń ciała lub pożaru.
- c) **Kiedy akumulatorki nie są używane, należy przechowywać je z dala od przedmiotów metalowych, takich jak spinacze do papieru, monety, klucze, gwoździe, śruby lub inne niewielkie przedmioty metalowe, które mogłyby spowodować zwarcie pomiędzy stykami.** Zwarcie styków akumulatora może spowodować pożar.
- d) **W przypadku przeciążenia z akumulatora może wycieknąć płyn; nie należy go dotykać. W razie przypadkowego kontaktu przemyć skórę wodą. W przypadku dostania się płynu do oczu należy skontaktować się z lekarzem.** Płyn z akumulatora może powodować podrażnienia lub oparzenia.
- e) **Nie używać uszkodzonego ani zmodyfikowanego akumulatora lub narzędzia.** Uszkodzone lub zmodyfikowane akumulatory mogą działać w sposób nieoczekiwany, co może powodować pożar, wybuch lub ryzyko obrażeń ciała.
- f) **Nie wystawiać akumulatora ani narzędzia na działanie płomienia lub zbyt wysokiej temperatury.** Narażenie na działanie płomienia lub temperatury powyżej 130°C może spowodować wybuch. UWAGA Temperaturę „130 °C“ można

zastąpić temperaturą „265 °F“.

- g) **Przestrzegać wszystkich instrukcji ładowania i nie ładować akumulatora ani narzędzia poza zakresem temperatury podanym w instrukcji.** Nieprawidłowe ładowanie lub ładowanie w temperaturze poza podanym zakresem może spowodować uszkodzenie akumulatora i zwiększyć ryzyko pożaru.
- 6) **Serwis**
- a) **Zlecać serwisowanie elektronarzędzie wykwalifikowanemu technikowi stosującymi jedynie części zamienne identyczne z oryginalnymi.** Zapewni to zachowanie bezpieczeństwa elektronarzędzia.
- b) **Nigdy nie serwisować uszkodzonych akumulatorów.** Serwisowanie akumulatorów może przeprowadzać wyłącznie producent lub autoryzowany serwis.

OSTRZEŻENIA DOTYCZĄCE BEZPIECZEŃSTWA UŻYTKOWANIA WYRZYNAK

- **Trzymać narzędzie tylko za izolowane powierzchnie do chwytania podczas wykonywania prac, podczas których osprzęt tnący może zetknąć się z ukrytym okablowaniem lub przewodem narzędzia.** Zetknięcie się osprzętu tnącego z przewodem pod napięciem może sprawić, że odsłonięte metalowe części narzędzia również będą pod napięciem i spowodować porażenie operatora prądem.
- **Trzymać dłonie z dala od zakresu pracy brzeszczota. Nie sięgać pod obrabiany element.** Kontakt z brzeszczotem może prowadzić do obrażeń ciała.
- **Przykładać maszynę do obrabianego elementu tylko wtedy, gdy jest włączona.** W przeciwnym razie istnieje ryzyko odrzucenia maszyny po utknięciu brzeszczota w obrabianym elemencie.
- **Uważać, aby płyta podstawy spoczywała pewnie na materiale podczas piłowania.** Zablockowany brzeszczot może pęknąć lub spowodować odskoczenie narzędzia.
- **Po zakończeniu piłowania wyłączyć maszynę, a następnie wyjąć brzeszczot z cięcia, dopiero gdy się zatrzyma.** W ten sposób można uniknąć odrzutu i bezpiecznie odłożyć maszynę.
- **Używać wyłącznie nieuszkodzonych brzeszczotów w idealnym stanie.** Zgięte lub stępione brzeszczoty mogą pękać, negatywnie wpływać na jakość cięcia lub prowadzić do odrzutu.
- **Nie hamować brzeszczota do zatrzymania poprzez naciskanie na brzeszczot z boku po**

wyłączeniu. Brzeszczot może ulec uszkodzeniu, pęknąć lub spowodować odrzut.

- **Użyć odpowiednich detektorów do sprawdzenia, czy w miejscu pracy nie znajdują się ukryte kable elektryczne/rury wodne/gazowe lub skontaktować się z lokalnym dostawcą energii/wody/gazu w celu uzyskania pomocy.** Kontakt z kablem elektrycznym może prowadzić do pożaru i porażenia prądem. Uszkodzenie rury z gazem może prowadzić do wybuchu. Przebicie rury z wodą spowoduje uszkodzenie mienia.
- **Użyj zacisków lub innego praktycznego sposobu zabezpieczenia i podparcia przedmiotu na stabilnej platformie.** Trzymanie przedmiotu ręcznie lub przy ciele powoduje, że jest niestabilny i może prowadzić do utraty kontroli.
- **Przed odłożeniem maszyny zawsze poczekać na jej całkowite zatrzymanie.** Końcówka narzędziowa może utknąć i doprowadzić do utraty panowania nad elektronarzędziem.

2. INFORMACJE O MASZYNI

Przeznaczenie

Maszyna jest przeznaczona do wycinania drewna, metalu, tworzyw sztucznych, ceramiki, gumy itp. w dowolny wybrany kształt i w dowolnym rozmiarze. Podczas wycinania płyta podstawy musi spoczywać na obrabianym elemencie. Należy zawsze używać właściwego brzeszczota.

DANE TECHNICZNE

| Nr modelu | JS503AC |
|---|---|
| Napięcie | 230-240V~ |
| Częstotliwość | 50Hz |
| Obroty bez obciążenia | 0-3000/min |
| Maks. głębokość piłowania drewna 0° | 65mm |
| Maks. głębokość piłowania stali 0° | 6mm |
| Ciezar | 1.85 kg |
| Poziom ciśnienia akustycznego L _{PA} | 95 dB(A), K=3dB(A) |
| Poziom mocy akustycznej L _{WA} | 96 dB(A), K=3dB(A) |
| Drgania „piłowanie blachy” | 10.08 m/s ² K=1.5 m/s ² |
| Drgania „piłowanie sklejek” | 9.19 m/s ² K=1.5 m/s ² |

Poziom drgań

Poziom emisji drgań podany w tej instrukcji obsługi został zmierzony zgodnie ze standaryzowanym testem podanym w normie EN 62841; może on służyć do porównywania narzędzi ze sobą oraz do wstępnego oszacowania ekspozycji na drgania podczas użytkowania narzędzia do podanych zastosowań

- używaniu narzędzia do innych zastosowań lub z innymi lub źle konserwowanymi akcesoriami może znacząco zwiększać poziom ekspozycji
- okresy, gdy narzędzie jest wyłączone lub okresy, gdy jest włączone, ale nie pracuje, mogą znacząco zmniejszać poziom ekspozycji

Chronić się przed wpływem drgań, konserwując odpowiednio narzędzie i akcesoria, utrzymując ciepłotę dłoni oraz odpowiednio organizując pracę.

OPIS

Liczby w tekście odnoszą się do rysunków na stronie 2-3.

1. Włącznik
2. Przełącznik dmuchawy do pyłu
3. Główny uchwyt
4. Uchwyt pomocniczy
5. Pokrętko regulacji prędkości
6. Przełącznik trybu wahadłowego
7. Podziałka kąta cięcia skośnego
8. Adapter odsysania
9. Płyta podstawy
10. Rolka prowadząca
11. Dźwignia zaciskająca
12. Śruby do prowadnicy równoległej
13. Klucz imbusowy
14. Uchwyt
15. Tarcza
16. Śruba płyty podstawy
17. Prowadnica równoległa
18. Oznaczenie cięcia

3. MONTAŻ

Wymiana brzeszczota (Rys. A, B)



Podczas montażu tarczy nosić rękawice ochronne. Ryzyko obrażeń ciała w wyniku dotknięcia brzeszczota.



Używać wyłącznie tarcz zgodnych z danymi technicznymi podanymi w instrukcji.

Montaż brzeszczota

Dopilnować, aby uchwyt brzeszczota był wolny od resztek materiału (np. drewnianych lub metalowych wiórów)

1. Obrócić dźwignię zaciskającą (11) do oporu w lewo i zatrzymać ją w tym położeniu.
2. Włożyć brzeszczot w uchwyt (14). Sprawdzić, czy brzeszczot jest mocno zamocowany i jego zęby są skierowane w kierunku cięcia.
3. Puścić dźwignię zaciskającą. Sprawdzić, czy tył brzeszczota jest umieszczony pośrodku rolki prowadzącej (10). Dopilnować stosowania brzeszczota dopasowanego do obrabianego materiału. Do maszyny dołączony jest brzeszczot do drewna z dużymi zębami i brzeszczot do metalu i tworzyw sztucznych z małymi zębami.

Demontaż brzeszczota

1. Obrócić dźwignię zaciskającą (11) do oporu w lewo i zatrzymać ją w tym położeniu.
2. Wyjąć brzeszczot z uchwytu (14).
3. Puścić dźwignię zaciskającą.

Montaż prowadnicy równoległej (Rys. C)

1. Poluzować śruby do prowadnicy równoległej (12).
2. Zamontować prowadnicę równoległą (17) na płycie podstawy (9).
3. Ustawić żądaną szerokość cięcia z użyciem podziałki na prowadnicy równoległej (17) i oznaczenia cięcia na płycie podstawy (18). Oznaczenie cięcia (9) oznacza położenie brzeszczota.
4. Dokręcić śruby do prowadnicy równoległej (12).

4. OPERATION

Włączanie i wyłączanie (Rys. A)

- Aby włączyć maszynę następnie wcisnąć włącznik (5).
- Aby wyłączyć maszynę, zwolnić włącznik (5).

Ustawianie prędkości (Rys. A)

Do ustawiania prędkości służy pokrętko regulacji prędkości.(5) Idealna prędkość zależy od profilu oraz zębów brzeszczotu, a także od rodzaju ciętego materiału.



Nie należy ustawiać prędkości podczas pracy urządzenia.

- Przekręcić pokrętkę regulacji prędkości (3) w wymaganą pozycję.
 - W przypadku cięcia twardych materiałów, należy używać brzeszczot z delikatnymi zębami oraz wybrać małą prędkość cięcia.
 - W przypadku miękkich materiałów, należy używać brzeszczot z grubymi zębami oraz wybrać dużą prędkość cięcia.

Regulacja kąta cięcia skośnego (Rys. A, D)

1. Poluzować śruby (16) kluczem imbusowym (13).
2. Przesunąć płytę podstawy (9) w żądane położenie (0°- 45°). Kąt piłowania (cięcia skośnego) można odczytać na podziałce (7).
3. Dokręcić śruby (16) kluczem imbusowym (13). Klucz imbusowy można przechowywać na maszynie zgodnie z rys. A.

Regulacja ruchu wahadłowego (Rys. A)

Włącznik ruchu wahadłowego (6) służy do regulacji sposobu, w jaki zęby brzeszczota wgrzają się w materiał. Przełącznik ruchu wahadłowego można ustawić na jedno z 4 położeń:

- 0 - Brak ruchu wahadłowego
- 1 - Niewielki ruch wahadłowy
- 2 - Średni ruch wahadłowy
- 3 - Duży ruch wahadłowy

Wymagany ruch wahadłowy można określić w praktyce, ale zaleca się przestrzeganie poniższych zaleceń:

- Miękki materiał (drewno, tworzywo sztuczne itp.): ustawić ruch wahadłowy na II lub III. Aby uzyskać bardziej precyzyjne i czyste cięcie, użyć ustawienia ruchu wahadłowego 0 lub I.
- Do cienkich materiałów użyć ustawienia ruchu wahadłowego 0.
- Twarde materiały (drewno liściaste, stal itp.): ustawić ruch wahadłowy na 0.
- Krzywe: ustawić ruch wahadłowy na 0.

Usuwanie pyłu (Rys. E)

- Podłączyć wąż odkurzacza do adaptera odprowadzającego pył (8).

Uwaga: funkcja dmuchawy do pyłu musi zostać dezaktywowana w przypadku korzystania z odkurzacza.

Funkcja dmuchawy do pyłu (Rys. G)

Linia tnąca może zostać oczyszczona z resztek materiału i zanieczyszczeń poprzez zastosowanie funkcji dmuchawy do pyłu.

- W celu aktywowania funkcji dmuchawy do pyłu, przesunąć przełącznik dmuchawy do pyłu (2) w prawo w sposób przedstawiony na ilustracji G1.
- W celu dezaktywowania funkcji dmuchawy do pyłu, przesunąć przełącznik dmuchawy do pyłu (2) w lewo w sposób przedstawiony na ilustracji G1.

Wskazówki dla optymalnej pracy

- Zaciśnąć cięty przedmiot. W przypadku cięcia małych przedmiotów, używać zaciski.
- Narysować linię określającą kierunek przesuwania brzeszczotu.
- Mocno trzymać urządzenie za uchwyt.
- Ustawić prędkość cięcia.
- Ustawić kąt nachylenia.
- Ustawić pozycję trybu pracy wahadłowej.
- Włączyć urządzenie.
- Odczekać, aż nabierze ono pełnej prędkości.
- Umieścić nasadę wyrzynarki na ciętym przedmiocie.
- Powoli przesunąć urządzenie wzdłuż narysowanej linii, mocno dociskając nasadę wyrzynarki do ciętego przedmiotu.
- Nie stosować nadmiernej siły na urządzenie. Wykonać nacięcie.
- Wyłączyć urządzenie i zaczekać do jego pełnego zatrzymania przed odłożeniem na bok.

5. KONSERWACJA



Zawsze odłączyć narzędzie od zasilania sieciowego przed rozpoczęciem przeprowadzania jakichkolwiek prac konserwacyjnych.

Czyścić obudowę maszyny regularnie miękką ściereczką, najlepiej po każdym użyciu. Dopilnować, aby otwory wentylacyjne były wolne od pyłu, kurzu i zabrudzeń. Usuwać odporne zabrudzenia miękką ściereczką zwilżoną mydlinami. Nie używać żadnych rozpuszczalników, takich jak benzyna, alkohol, amoniak itp. Takie substancje chemiczne spowodują uszkodzenie części z tworzyw sztucznych.

ŚRODOWISKO



Uszkodzone i/lub niepotrzebne urządzenia elektryczne lub elektroniczne podlegają zbiórce w odpowiednich punktach recyklingu.

Tylko kraje WE

Nie wyrzucać elektronarzędzi wraz z odpadami z gospodarstw domowych. Zgodnie z dyrektywą 2012/19/WE dotyczącą zużytych urządzeń elektrycznych i elektronicznych oraz jej wdrożeniem do prawodawstwa krajowego, elektronarzędzia, które już nie nadają się do użytku, podlegają oddzielnej zbiórce oraz utylizacji w sposób przyjazny dla środowiska.

GWARANCJA

Produkty VONROC są wytwarzane zgodnie z najwyższymi standardami jakości i producent udziela gwarancji na wady materiałowe i wady wykonania na okres wymagany prawem, licząc od dnia zakupu. Jeśli wystąpi usterka produktu w tym okresie spowodowana wadą materiałową i/lub wadą wykonania, proszę bezpośrednio skontaktować się ze sprzedawcą VONROC.

Następujące okoliczności powodują unieważnienie gwarancji:

- Przeprowadzono naprawy lub modyfikacje narzędzia w serwisie innym lub autoryzowany lub podjęto ich próbę;
- Normalne zużycie nie jest objęte gwarancją;
- Narzędzie było używane niezgodnie z przeznaczeniem, źle z nim się obchodzono lub było nieprawidłowo konserwowane;
- Użyto części zamiennych innych niż oryginalne.

Niniejsza gwarancja to wyłączna gwarancja producenta i nie obowiązują żadne inne wyrażone ani dorozumiane gwarancje. Nie obowiązują żadne inne wyrażone ani dorozumiane gwarancje o zakresie przekraczającym niniejszą gwarancję, co obejmuje dorozumiane gwarancje przydatności do sprzedaży i przydatności do określonego celu. W żadnym przypadku firma VONROC nie ponosi odpowiedzialności za straty przypadkowe lub wynikowe. Zadośćuczynienie sprzedawcy jest ograniczone do naprawy lub wymiany niezgodnych urządzeń lub części.

Produkt i instrukcja obsługi podlegają zmianom. Dane techniczne podlegają zmianom bez uprzedzenia.



DECLARATION OF CONFORMITY JS503AC - JIG SAW

- (EN) We declare under our sole responsibility that this product is in conformity with directive 2011/65/EU of the European parliament and of the council of 8 June on the restriction of the use of certain hazardous substances in electrical and electronic equipment is in conformity and accordance with the following standards and regulations:
- (DE) Der Hersteller erklärt eigenverantwortlich, dass dieses Produkt der Direktive 2011/65/ EU des Europäischen Parlaments und des Rats vom 8. Juni 2011 über die Einschränkung der Anwendung von bestimmten gefährlichen Stoffen in elektrischen und elektronischen Geräten entspricht, den folgenden Standards und Vorschriften entspricht:
- (NL) Wij verklaren onder onze volledige verantwoordelijkheid dat dit product voldoet aan de conform Richtlijn 2011/65/EU van het Europees Parlement en de Raad van 8 juni 2011 betreffende beperking van het gebruik van bepaalde gevaarlijke stoffen in elektrische en elektronische apparatuur en in overeenstemming is met de volgende standaarden en reguleringen:
- (FR) Nous déclarons sous notre seule responsabilité que ce produit est conforme aux standards et directives suivants: est conforme à la Directive 2011/65/EU du Parlement Européen et du Conseil du 8 juin 2011 concernant la limitation d'usage de certaines substances dangereuses dans l'équipement électrique et électronique.
- (ES) Declaramos bajo nuestra exclusiva responsabilidad que este producto cumple con las siguientes normas y estándares de funcionamiento: se encuentra conforme con la Directiva 2011/65/UE del Parlamento Europeo y del Consejo de 8 de junio de 2011 sobre la restricción del uso de determinadas sustancias peligrosas en los equipos eléctricos y electrónicos.
- (IT) Dichiariamo, sotto la nostra responsabilità, che questo prodotto è conforme alle normative e ai regolamenti seguenti: è conforme alla Direttiva 2011/65/UE del Parlamento Europeo e del Consiglio dell'8 giugno 2011 sulla limitazione dell'uso di determinate sostanze pericolose nelle apparecchiature elettriche ed elettroniche.
- (PL) Deklarujemy na własną odpowiedzialność, że ten produkt spełnia wymogi zawarte w następujących normach i przepisach: jest zgodny z Dyrektywą 2011/65/UE Parlamentu Europejskiego i Rady z dnia 8 czerwca 2011 r. w sprawie ograniczenia stosowania niektórych niebezpiecznych substancji w sprzęcie elektrycznym i elektronicznym.

**EN55014-1, EN55014-2, EN 62841-1, EN 62841-2-11, EK9-BE-88, EN61000-3-2, EN61000-3-3
2006/42/EC, 2014/30/EU, 2011/65/EU, 2012/19/EU**

Zwolle, 01-03-2020

H.G.F Rosberg
CEO

VONROC • Lingenstraat 6 • 8028 PM Zwolle • The Netherlands



VONROC®
BUILD YOUR FUTURE

©2020 VONROC
WWW.VONROC.COM

2003-24