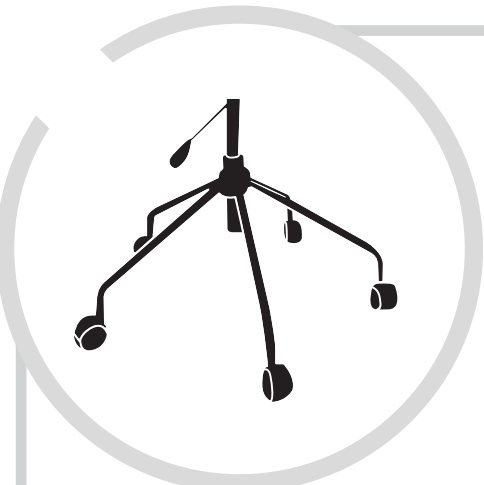
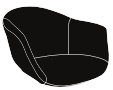


Assembly instruction | Office base

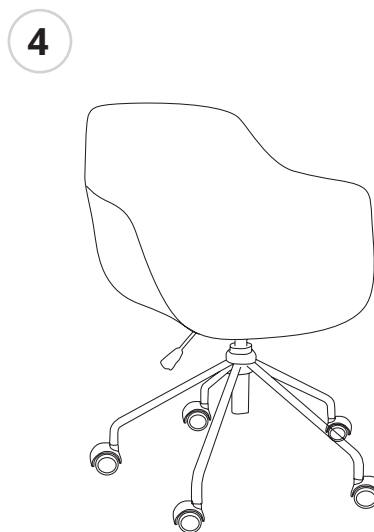
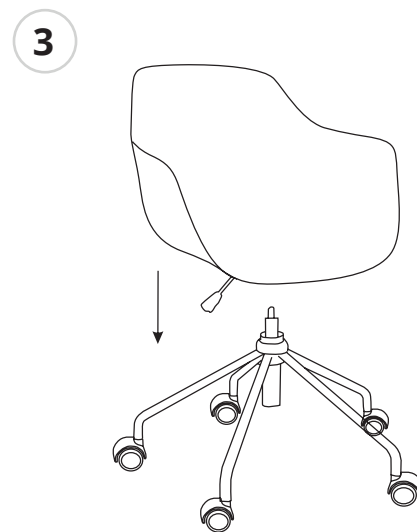
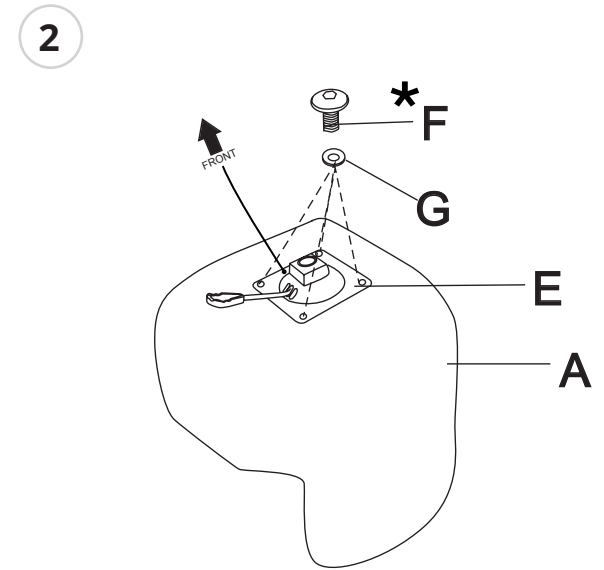
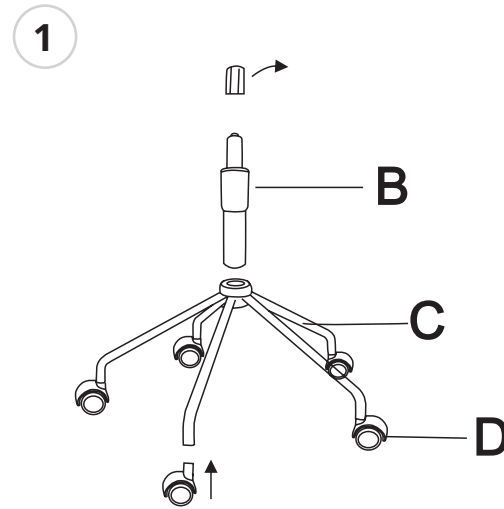


Seat options



Included parts

A x1	B x1
Seat	
C x1	D x5
E x1	F x4 (M6*14)
G x4 (M6*16*1)	H x1 (M6)



*** ATTENTION!**
 For upholstered shell
 use different parts
F -> M6*16 screws

