

Instruction manual

Edu DL White 3-set 91107

Edu DL Satin 3-set 91108



1



pull out the spring arm

2



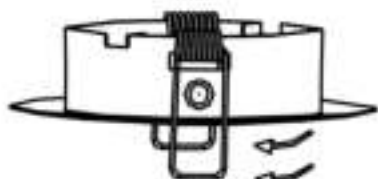
lock the spring butt

3



put the spring arm back

4



square up the spring

5



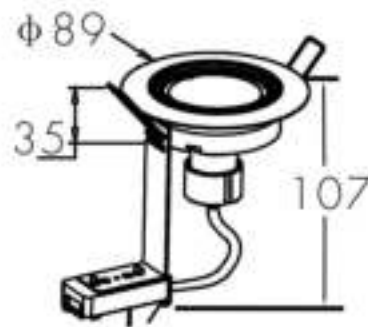
one hand press the spring arm,
the other hand use a screwdriver to
press the spring into the slot

6

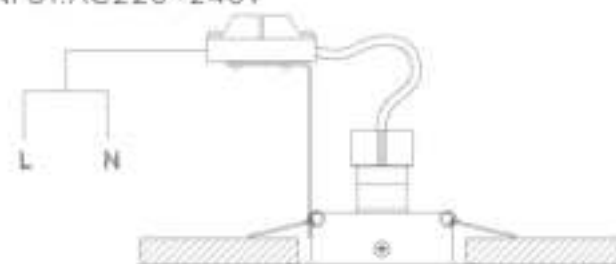


OK,finishe

7

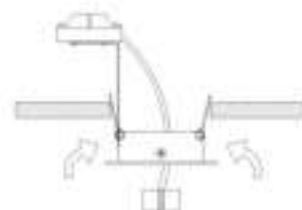


INPUT:AC220~240V



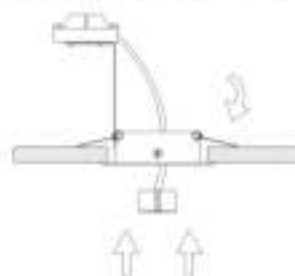
8

INPUT:AC220~240V



9

INPUT:AC220~240V



10

