

EN

ORIGINAL INSTRUCTIONS
CORDLESS GRASS AND SHRUB
SHEARS



Table of contents

Notes regarding the instructions 2

Safety 3

Information about the device 8

Transport and storage 10

Start-up 11

Operation 14

Available accessories 15

Errors and faults 16


Maintenance 17












Disposal 17

Declaration of conformity 18

Notes regarding the instructions

Symbols

-  **Warning of electrical voltage**
This symbol indicates dangers to the life and health of persons due to electrical voltage.
-  **Warning of explosive substances**
This symbol indicates dangers to the life and health of persons due to potentially explosive substances.
-  **Warning of hot surface**
This symbol indicates dangers to the life and health of persons due to hot surface.
-  **Warning of sharp object**
This symbol indicates dangers to the life and health of persons due to pointed objects.
-  **Warning of hand injuries**
This symbol indicates dangers to the life and health of persons due to sharp cutter blades.
-  **Warning of hand injuries**
This symbol indicates that there is a danger to the life and health of persons due to the shear blade's follow-up time.
-  **Warning**
This symbol indicates that there is a danger to the life and health of persons due to parts flung out.

-  **Warning**
This symbol indicates that there is a danger to life and health due to insufficient distance to other persons, children or pets.
-  **Warning**
This symbol indicates that there is a danger to the life and health of persons when using the tool in the rain or during a thunderstorm.
-  **Warning**
This signal word indicates a hazard with an average risk level which, if not avoided, can result in serious injury or death.
-  **Caution**
This signal word indicates a hazard with a low risk level which, if not avoided, can result in minor or moderate injury.
- Note**
This signal word indicates important information (e.g. material damage), but does not indicate hazards.
-  **Info**
Information marked with this symbol helps you to carry out your tasks quickly and safely.
-  **Follow the manual**
Information marked with this symbol indicates that the instructions must be observed.
-  **Wear hearing protection**
Information marked with this symbol indicates that you should wear hearing protection.
-  **Wear safety glasses**
Information marked with this symbol indicates that you should wear eye protection.
-  **Wear protective clothing**
Information marked with this symbol indicates that you should wear protective clothing.
-  **Wear protective gloves**
Information marked with this symbol indicates that you should wear protective gloves.
-  **Wear foot protection**
Information marked with this symbol indicates that you should wear safety boots.

You can download the current version of the instructions and the EU declaration of conformity via the following link:



PGSS 10-20V



<https://hub.trotec.com/?id=44756>

Safety

General Power Tool Safety Warnings



Warning

Read all safety warnings, instructions, illustrations and specifications provided with this power tool.

Failure to follow all instructions listed below may result in electric shock, fire and/or serious injury.

Save all warnings and instructions for future reference.

This appliance can be used by children aged from 8 years and above and persons with reduced physical, sensory or mental capabilities or lack of experience and knowledge if they have been given supervision or instruction concerning use of the appliance in a safe way and understand the hazards involved.

The term *power tool* in the warnings refers to your mains-operated (corded) power tool or battery-operated (cordless) power tool.



General Power Tool Safety Warnings – Work area safety

- **Keep work area clean and well lit.** Clutter or dark areas invite accidents.
- **Do not operate power tools in explosive atmosphere, such as in the presence of flammable liquids, gases or dust.** Power tools create sparks which may ignite the dust or fumes.
- **Keep children and bystanders away while operating a power tool.** Distractions can cause you to lose control.



General Power Tool Safety Warnings – Electrical safety

- **Power tool plugs must match the outlet. Never modify the plug in any way. Do not use any adapter plugs with earthed (grounded) power tools.** Unmodified plugs and matching outlets will reduce risk of electric shock.

- **Avoid body contact with earthed or grounded surfaces, such as pipes, radiators, ranges and refrigerators.** There is an increased risk of electric shock if your body is earthed or grounded.
- **Do not expose power tools to rain or wet conditions.** Water entering a power tool will increase the risk of electric shock.
- **Do not abuse the cord. Never use the cord for carrying, pulling or unplugging the power tool. Keep cord away from heat, oil, sharp edges or moving parts.** Damaged or entangled cords increase the risk of electric shock.
- **When operating a power tool outdoors, use an extension cord suitable for outdoor use.** Use of a cord suitable for outdoor use reduces the risk of electric shock.
- **If operating a power tool in a damp location is unavoidable, use a residual current device (RCD) protected supply.** Use of an RCD reduces the risk of electric shock.



General Power Tool Safety Warnings – Personal safety

- **Stay alert, watch what you are doing and use common sense when operating a power tool. Do not use a power tool while you are tired or under the influence of drugs, alcohol or medication.** A moment of inattention while operating power tools may result in serious personal injury.



Use personal protective equipment. Always wear eye protection. Protective equipment such as a dust mask, non-skid safety shoes, hard hat or hearing protection used for appropriate conditions will reduce personal injuries.

- **Prevent unintentional starting. Ensure the switch is in the off-position before connecting to power source and/or battery pack, picking up or carrying the tool.** Carrying power tools with your finger on the switch or energising power tools that have the switch on invites accidents.
- **Remove any adjusting key or wrench before turning the power tool on.** A wrench or a key left attached to a rotating part of the power tool may result in personal injury.
- **Do not overreach. Keep proper footing and balance at all times.** This enables better control of the power tool in unexpected situation.
- **Dress properly. Do not wear loose clothing or jewellery. Keep your hair and clothing away from moving parts.** Loose clothes, jewellery or long hair can be caught in moving parts.

- **If devices are provided for the connection of dust extraction and collection facilities, ensure these are connected and properly used.** Use of dust collection can reduce dust-related hazards.
- **Do not let familiarity gained from frequent use of tools allow you to become complacent and ignore tool safety principles.** A careless action can cause severe injury within a fraction of a second.



General Power Tool Safety Warnings – Power tool use and care

- **Do not force the power tool. Use the correct power tool for your application.** The correct power tool will do the job better and safer at the rate for which it was designed.
- **Do not use the power tool if the switch does not turn it on and off.** Any power tool that cannot be controlled with the switch is dangerous and must be repaired.
- **Disconnect the plug from the power source and/or remove the battery pack, if detachable, from the power tool before making any adjustments, changing accessories, or storing power tools.** Such preventive safety measures reduce the risk of starting the power tool accidentally.
- **Store idle power tools out of the reach of children and do not allow persons unfamiliar with the power tool or these instructions to operate the power tool.** Power tools are dangerous in the hands of untrained users.
- **Maintain power tools and accessories. Check for misalignment or binding of moving parts, breakage of parts and any other condition that may affect the power tool's operation. If damaged, have the power tool repaired before use.** Many accidents are caused by poorly maintained power tools.
- **Keep cutting tools sharp and clean.** Properly maintained cutting tools with sharp cutting edges are less likely to bind and are easier to control.
- **Use the power tool, accessories and tool bits etc. in accordance with these instructions, taking into account the working conditions and the work to be performed.** Use of the power tool for operations different from those intended could result in a hazardous situation.
- **Keep handles and grasping surfaces dry, clean and free from oil and grease.** Slippery handles and grasping surfaces do not allow for safe handling and control of the tool in unexpected situations.



General Power Tool Safety Warnings – Battery tool use and care

- **Recharge only with charger specified by the manufacturer.** A charger that is suitable for one type of battery pack may create a risk of fire when used with another battery pack.
- **Use power tools only with specifically designed battery packs.** Use of any other battery packs may create a risk of injury and fire.
- **When battery pack is not in use, keep it away from other metal objects, like paper clips, coins, keys, nails, screws or other small metal objects, that can make a connection from one terminal to another.** Shorting the battery terminals together may cause burns or a fire.
- **Under abusive conditions, liquid may be ejected from the battery; avoid contact. If contact accidentally occurs, flush with water. If liquid contacts eyes, additionally seek medical help.** Liquid ejected from the battery may cause irritation or burns.
- **Do not use a battery pack or tool that is damaged or modified.** Damaged or modified batteries may exhibit unpredictable behaviour resulting in fire, explosion or risk of injury.
- **Do not expose a battery pack or tool to fire or excessive temperature.** Exposure to fire or temperature above 130 °C may cause explosion.
- **Follow all charging instructions and do not charge the battery pack or tool outside the temperature range specified in the instructions.** Charging improperly or at temperatures outside the specified range may damage the battery and increase the risk of fire.



General Power Tool Safety Warnings – Service

- **Have your power tool serviced by a qualified repair person using only identical replacement parts.** This will ensure that the safety of the power tool is maintained.
- **Never service damaged battery pack.** Service of battery packs should only be performed by the manufacturer or authorized service providers.



Device-specific safety warnings for grass and shrub shears

- **Keep all body parts away from the cutting blade. Do not try to remove cut material or to hold material to be cut when the blades are running.** The blades continue to run after turning off the switch. A moment of inattention when using the shrub shears can lead to severe injury.
 - **Carry the shrub shears by holding them by the handle when the blade is at a standstill. Take care not to actuate the switch.** Carrying the shrub shears in a correct manner reduces the risk of unintended operation and injuries resulting from the blade.
 - **Always put the cover on the blade when transporting or storing the shrub shears.** Proper handling of the shrub shears reduces the risk of injury caused by the blade.
 - **Please make sure all switches are turned off and the mains plug has been disconnected before removing jammed cut material or before performing maintenance works on the machine.** Unexpected operation of the shrub shears when removing jammed material can cause severe injury.
 - **Hold the shrub shears by the insulated gripping surfaces only, as the cutting blade may contact hidden wiring.** Blade accessory contacting a "live" wire may make exposed metal parts of the power tool "live" and could give the operator an electric shock.
 - **Keep any power cables away from the cutting area.** Cables can be hidden in hedges and bushes where they may be accidentally cut by the blade.
 - **Do not use the shrub shears in bad weather, especially if there is a risk of thunderstorms.** This reduces the risk of being struck by lightning.
- **Always carry the shrub shears by holding them by the handle and when the blade is at a standstill. Always put on the protective cover after completion of the work.**
 - **Wear suitable working clothes such as sturdy shoes with non-slip soles, sturdy long trousers, gloves and protection glasses. Use hearing protection when using the device.** Do not wear loose clothing or jewellery as these can be caught in moving parts.
 - **Only use the device in sufficient daylight or with good artificial lighting.** Lack of light or poor illumination of the working area can lead to accidents.
 - **Never use the device with a damaged protective cover or protective device.** A defective protective cover or protective device can no longer protect you from severe injury.
 - **Only switch on the device if your hands and feet are out of reach of the cutting unit.** This reduces the risk of injuries to hands or feet.
 - **Always switch off the device and remove the battery from the device if the following is the case:**
 - the device is left unattended
 - before removing an obstruction
 - before checking, cleaning or maintaining the device
 - after contact with a foreign object
 - if the device starts to vibrate abnormally
 - **Vibrations can be harmful to the human hand-arm system.** Keep the vibration exposure time to a minimum.
 - **Regularly check the shear blade for wear or damage.**
 - **Do not attempt to slow down the shear blade movement by pressing against the blade once the device is switched off.** The shear blade could be damaged or cause a kickback.
 - **Wait until the device has come to a standstill before putting it down.** The shear blade could get caught resulting in a loss of control of the device.



Additional safety warnings for grass and shrub shears

- **Always hold the device by the device's handle and make sure you have a secure grip.** Losing control of the device may result in personal injury.
- **Before starting work, search the hedge for hidden objects, e.g. wire fences, hidden lines, etc.** so as to prevent damage to the device and its components and to prevent the risk of an electric shock.
- **Ensure the secure footing and stable positioning of the device when working with it, especially when working on slopes. Do not use the device if the intended application requires climbing a ladder or working on similar unstable footprints.** Loss of balance can lead to loss of control of the device and cause severe injury.

Intended use

Only use the device PGSS 10-20V for:

- cutting and trimming thin shoots on hedges, bushes or ornamental shrubs
- cutting grass edges

whilst adhering to the technical data.

We recommend using the power tool with original Trotec accessories.

Foreseeable misuse

This device is not suitable for large-scale lawn care or for cutting wood such as tree branches or twigs.

Do not use the device if the intended application requires climbing a ladder or working on similar unstable footprints.

Do not use the device in the rain or if a thunderstorm approaches.

Any other use than the one described in the chapter "Intended use" is regarded as reasonably foreseeable misuse.

Personnel qualifications

People who use this device must:

- have read and understood the instructions, especially the Safety chapter.

The following persons must not use the device:

- Children.
- Persons with reduced physical, sensory or mental capabilities.
- Persons with lack of experience and knowledge.
- Persons unfamiliar with the instructions.

Safety signs and labels on the battery

Note

Do not remove any safety signs, stickers or labels from the device. Keep all safety signs, stickers and labels in legible condition.

The following safety signs and labels are attached to the battery:



Warning of explosion risk!

These symbols indicate the following:



Do not expose the battery pack or tool to fire or excessive temperature! Do not let the battery come into contact with water or fire! Avoid direct sunlight and moisture. There is a risk of explosion!

Never charge the battery at ambient temperatures below 10 °C or above 40 °C. Charging improperly or at temperatures outside the specified range may damage the battery and increase the risk of fire.



Observe the correct disposal of the battery!

This symbol indicates the following:

Ensure that the battery is disposed of correctly and never dispose of it in waste water or public waters. The battery contains irritating, caustic and toxic substances that pose significant risks to people and the environment.

Personal protective equipment



Wear hearing protection.

Excessive noise can lead to hearing loss.



Wear eye protection.

With it you protect your eyes from splintering, falling and flying pieces which could cause injuries.



Wear protective gloves.

They protect your hands from burns, crushing injuries and skin abrasions.



Wear tight-fitting protective clothing.


















This protects you from the danger of clothing being caught and pulled in by moving parts.



Wear safety boots.

They protect your feet from splintering, falling and flying pieces which could cause injuries.

Residual risks

-  **Warning of electrical voltage**
Electric shock from insufficient insulation.
Check the device for damages and proper functioning before each use.
If you notice damages, no longer use the device.
Do not use the device when the device or your hands are damp or wet!
-  **Warning of electrical voltage**
Work on the electrical components must only be carried out by an authorised specialist company!
-  **Warning of electrical voltage**
Before any work on the device, remove the mains plug from the mains socket and the battery from the device!
Hold onto the mains plug while pulling the power cable out of the mains socket.
-  **Warning of electrical voltage**
There is a risk of a short-circuit due to liquids penetrating the housing!
Do not immerse the device and the accessories in water. Make sure that no water or other liquids can enter the housing.
-  **Warning of explosive substances**
Do not expose the battery to temperatures above 45 °C! Do not let the battery come into contact with water or fire! Avoid direct sunlight and moisture. There is a risk of explosion!
-  **Warning of hand injuries**
After switching off the device, there is a risk of injuries from cuts due to the shear blade's follow-up time.
Always wait until the shear blade comes to a standstill.
-  **Warning of hand injuries**
There is a risk of injury from cuts in the area of the shear blade if the device is handled without due care.
Never reach into the shear blade. Wear protective gloves!
-  **Warning**
Risk of injuries caused by parts flung out uncontrollably. Never use the device if children, other people or pets are nearby! Also make sure to keep enough distance to your hands and feet.
-  **Warning**
Do not work outdoors with the device in case of approaching rain or thunderstorms. The device may attract a lightning strike. Water ingress into the housing can cause an electric shock.
-  **Warning**
Do not process materials containing asbestos. Asbestos is considered carcinogenic.
-  **Warning**
Make sure not to hit power, gas or water lines when working with a power tool.
If necessary, use a pipe detector to check the wall you want to drill in or slit open.
-  **Warning**
Risk of injuries caused by flying parts or bursting tool heads.
-  **Warning**
Dangers can occur at the device when it is used by untrained people in an unprofessional or improper way!
Observe the personnel qualifications!
-  **Warning**
The device is not a toy and does not belong in the hands of children.
-  **Warning**
Risk of suffocation!
Do not leave the packaging lying around. Children may use it as a dangerous toy.
-  **Caution**
Vibration emissions can cause a health hazard if the device is used for an extended period of time or if it is not properly handled and maintained.
-  **Caution**
Keep a sufficient distance from heat sources.
- Note**
If you store or transport the device improperly, the device may be damaged.
Note the information regarding transport and storage of the device.
- Behaviour in the event of an emergency / emergency stop function**
Emergency stop:
Removing the battery results in the function of the device stopping immediately. Leave the battery out in order to secure the device against accidental switch-on.
Behaviour in the event of an emergency:
1. Switch the device off.
2. In the event of an emergency, remove the battery from the device: Hold the release button of the battery and pull the battery off the device as described in chapter "Removing the battery".
3. Do not insert the battery if the device is defective.

Information about the device

Device description

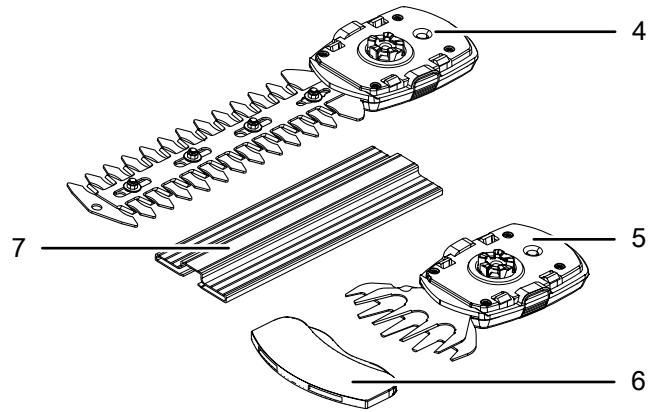
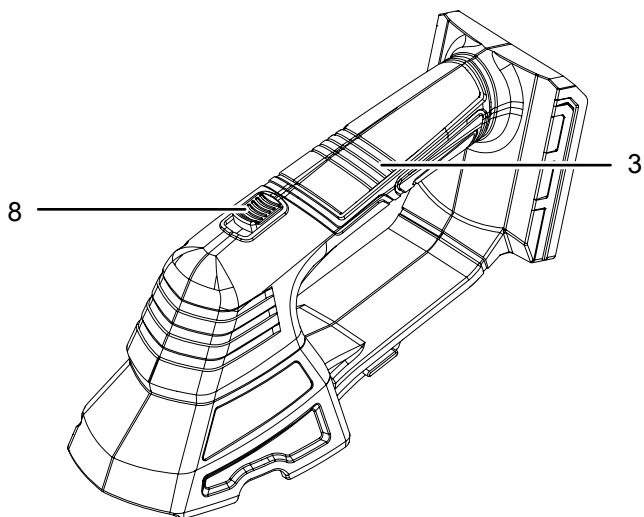
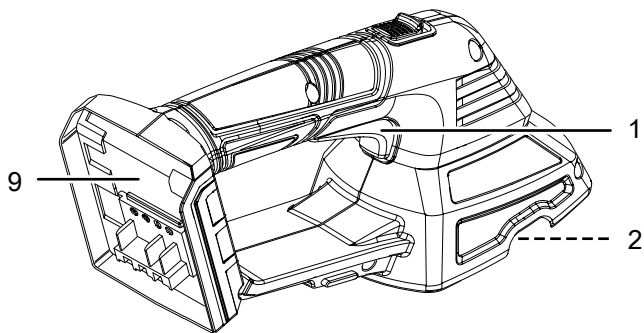
The device PGSS 10-20V is equipped with an exchangeable grass and shrub shears attachment and is ideal for cutting grass edges and trimming thin shoots on hedges, bushes or ornamental shrubs.

A tool-free click system makes it easy to change between the grass and shrub shears attachments.

Furthermore, the device has a start lock to prevent it from being switched on unintentionally.

The device is compatible with the Multiflex battery 20 V 2 Ah and its quick charger Multiflex 20 – 2.0 AC, as well as with the Multiflex battery 20 V 4 Ah and its quick charger Multiflex 20 – 4.0 AC. The battery and the quick charger are not included in the scope of delivery.

Device depiction

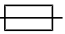



No.	Designation
1	On/off switch
2	Mounting flange
3	Device handle
4	Shrub shears attachment
5	Grass shears attachment
6	Grass shears protective cover
7	Shrub shears protective cover
8	Start lock for on/off switch
9	Battery holder

Scope of delivery

- 1 x device PGSS 10-20V
- 1 x grass shears attachment
- 1 x shrub shears attachment
- 1 x protective cover for grass shears attachment
- 1 x protective cover for shrub shears attachment
- 1 x Manual

Technical data

Parameter	Value
Model	PGSS 10-20V
Nominal voltage	20 V ---
Stroke rate at no load	1200 rpm
Max. cutting thickness (shrub shears)	8 mm
Blade width of grass shears	100 mm
Blade length of shrub shears	200 mm
Blade material	65 Mn (steel)
Weight	1 kg
Battery	Multiflex 20 – 2.0 DC
Type	Li-ion
Nominal voltage	20 V ---
Capacity	2.0 Ah
Operating time (min)	
Shrub shears	260
Grass shears	150
Quick charger	Multiflex 20 – 2.0 AC
Input	
Nominal voltage	230 – 240 V / 50 Hz
Power consumption	65 W
Output	
Nominal voltage	21.5 V ---
Charging current	2.4 A
Fusing 	3.15 A (slow-blowing)
Charging time	1 h
Cable length	1.5 m
Protection class	II / 
Vibration information according to EN 62841	
Total vibration emission value:	
Shrub shears a_h	2.6 m/s ²
Grass shears a_h	2.6 m/s ²
Uncertainty K	1.5 m/s ²
Sound values according to EN 62841	
Sound pressure level L_{pA}	
Shrub shears	63.2 dB (A)
Grass shears	63.2 dB (A)
Sound power L_{WA}	
Shrub shears	83.2 dB (A)
Grass shears	83.2 dB (A)
Uncertainty K	3 dB

Information on noise and vibration:

- The specified total vibration **and noise emission values** were measured by means of a test procedure standardized in EN 62841 and can be consulted for the comparison of one power tool with another.
- The specified total vibration **and noise emission values** can also be used for preliminary load assessment.



Caution

Vibration emissions can cause a health hazard if the device is used for an extended period of time or if it is not properly handled and maintained.

- The actual vibration **and noise emission** may differ from the stated values during operation of the power tool. This depends on how the power tool is used and especially on the type of workpiece being processed. Try to keep the vibration load to a minimum. Exemplary measures for reducing the vibration load include wearing gloves during operation of the tool and the limitation of working hours. All parts of an operating cycle must be considered for this (e.g. times at which the power tool is switched off and times when it is switched on but runs without load).



Wear hearing protection.

Excessive noise can lead to hearing loss.

Transport and storage

Note

If you store or transport the device improperly, the device may be damaged.

Note the information regarding transport and storage of the device.

Transport

Before transporting the device, observe the following:

- Hold onto the mains plug while pulling the power cable of the charger out of the mains socket.
- Allow the device to cool down.
- Remove the battery from the device.
- Put the protective cover on the shear attachment.

The supplied Li-ion batteries are subjects to the requirements of dangerous goods legislation.

Observe the following when transporting or shipping Li-ion batteries:

- The user may transport the batteries by road without any additional requirements.
- If transport is carried out by third parties (e.g. air transport or forwarding company), special requirements as to packaging and labelling must be observed. This includes consulting a dangerous goods specialist when preparing the package.
 - Only ship batteries if their housing is undamaged.
 - Mask open terminals with tape and pack the battery in a way that it cannot move inside the packaging.
 - Please also observe any other national regulations.

Storage

Before storing the device, observe the following:

- Hold onto the mains plug while pulling the power cable of the charger out of the mains socket.
- Allow the device to cool down.
- Remove the battery from the device.
- Put the protective cover on the shear attachment.
- Remove the shear attachment from the device.
- Store the device out of reach of children.
- Clean the device as described in the Maintenance chapter.
- Do not store Li-ion batteries which are completely discharged. Storing discharged batteries can lead to a deep discharge and thus damage the battery.

When the device is not being used, observe the following storage conditions:

- dry and protected from frost and heat
- Ambient temperature below 45 °C
- protected from dust and direct sunlight

Start-up

Unpacking the device

- Take the device and the accessories out of the packaging.



Warning of electrical voltage

Electric shock from insufficient insulation.
Check the device for damages and proper functioning before each use.

If you notice damages, no longer use the device.

Do not use the device when the device or your hands are damp or wet!

- Check the contents for completeness and look for damages.



Warning

Risk of suffocation!

Do not leave the packaging lying around. Children may use it as a dangerous toy.

- Dispose of the packaging material according to the national regulations.

Note

The battery and the quick charger are not included in the scope of delivery. You will find the article number of the battery in the chapter Available accessories.

Charging the battery

Note

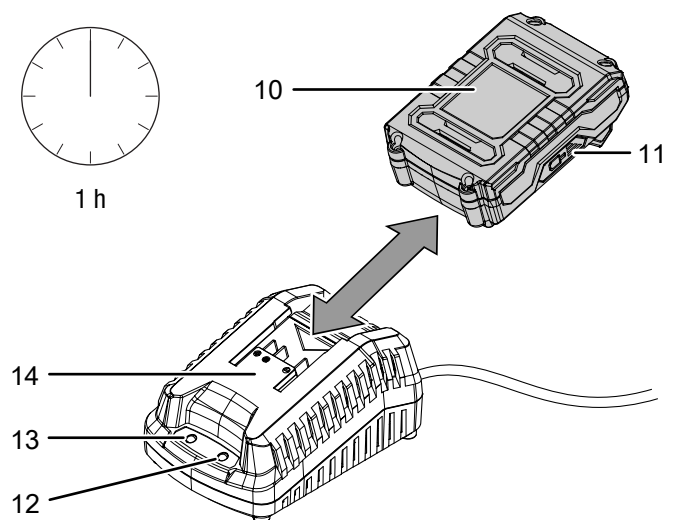
The battery can be damaged in case of improper charging.

Remove the charger's mains plug before inserting or removing the battery.

Never charge the battery at ambient temperatures below 10 °C or above 40 °C.

Prior to initial start-up and when the battery is low (only the red LED in the battery level indication (11) is illuminated), the battery should be charged. To do so, please proceed as follows:

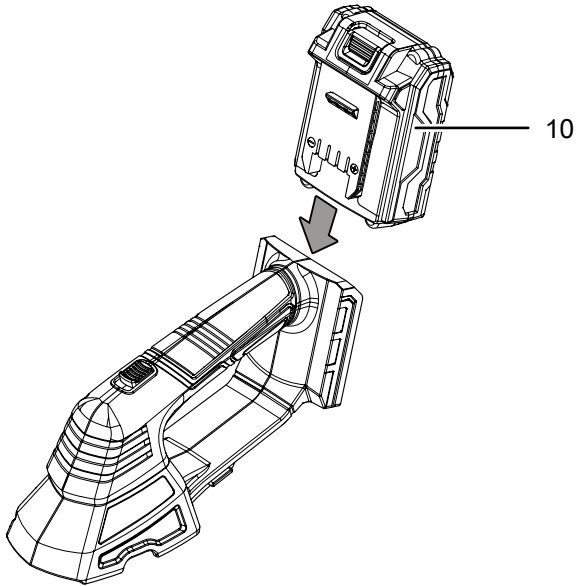
1. Slide the battery (10) onto the quick charger (14) upside down until it locks in place.



2. Insert the mains plug of the quick charger (14) into a properly fused mains socket.
 - ⇒ The red battery LED (12) lights up.
 - ⇒ Charging requires approx. one hour.
3. Wait until the red battery LED (12) goes off and the green battery LED (13) lights up.
 - ⇒ The battery (10) is fully charged.
4. Hold onto the mains plug while pulling the power cable of the quick charger (14) out of the mains socket.
 - ⇒ The battery (10) and the quick charger (14) may have become warm during charging.
 - Allow the battery (10) to cool down to room temperature.
5. Take the battery (10) out of the quick charger (14) by pressing and holding the release button (15) and pulling the battery (10) off the quick charger (14).

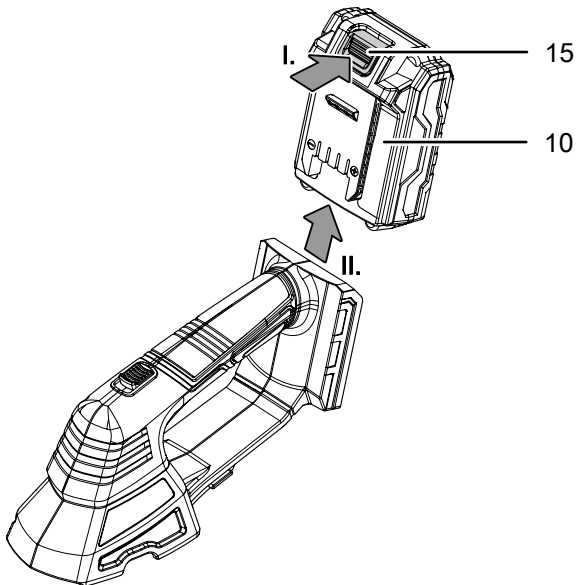
Inserting the battery

1. Slide the battery (10) onto the device until it locks in place.



Removing the battery

1. Detach the battery (10) from the device by pressing and holding the unlocking button (15, I.) and pulling the battery off the device (II.).

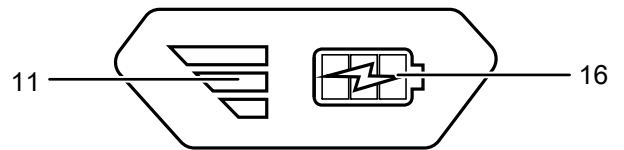


Checking the battery charging status

The battery comes with an integrated battery level indication. The battery status is displayed as follows by the three LEDs of the battery level indication (11):

LED colour	Meaning
Green – Orange – Red	maximum charge / power
Orange – Red	medium charge / power
Red	weak charge – Recharge the battery.

1. Press on the battery icon (16) on the battery (10).
 ⇒ You can read the battery status from the battery level indication (11).



2. If required, charge the battery (10) as described in the section *Charging the battery*.

Changing the shear attachment



Warning of electrical voltage

Before any work on the device, remove the mains plug from the mains socket and the battery from the device! Hold onto the mains plug while pulling the power cable out of the mains socket.



Wear protective gloves

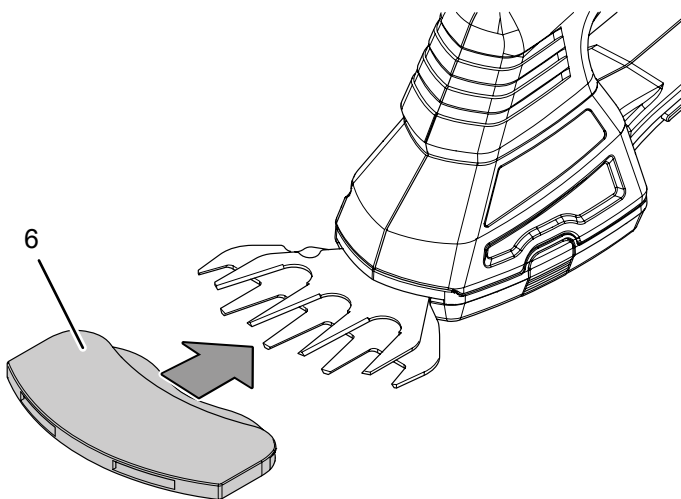
Wear appropriate protective gloves when inserting or exchanging tools.

Note

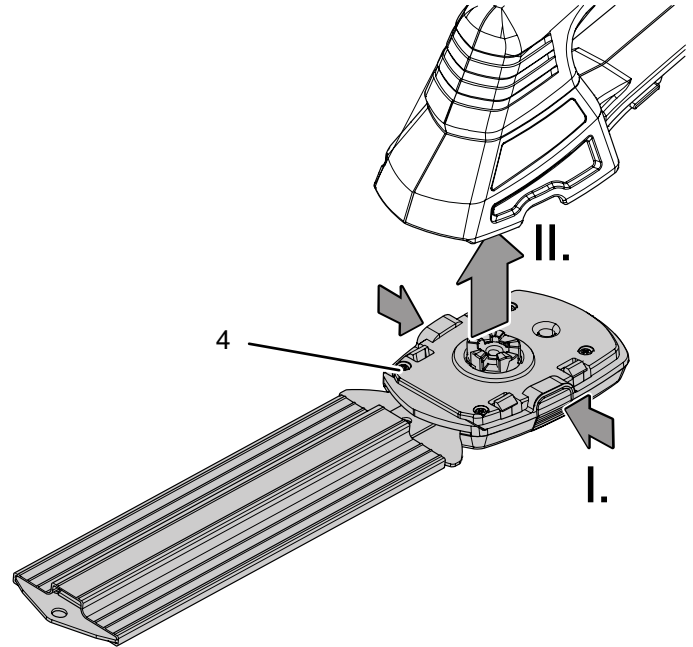
If necessary, remove grass and leaf debris from the mounting flange before changing the attachment.

Please proceed as follows to remove or to insert the shear attachment (4, 5):

1. Remove the battery (10) from the device.
2. If necessary, put the protective cover (6, 7) on the shear attachment.

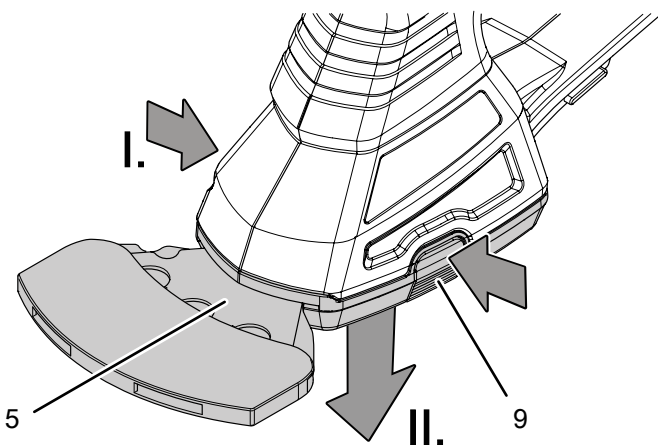


4. Press the two release buttons (9) on both sides of the shear attachment (4, 5) and insert the new shear attachment (4, 5) into the mounting flange (2). Please make sure that the shear attachment (4, 5) audibly clicks into place.



5. Check whether the shear attachment (4, 5) is properly locked in place.
6. Put the battery (10) back in.

3. Press the two release buttons (9) on both sides of the shear attachment (4, 5) and remove the shear attachment (4, 5).



Operation



Warning

Do not work outdoors with the device in case of approaching rain or thunderstorms. The device may attract a lightning strike. Water ingress into the housing can cause an electric shock.



Warning

Risk of injuries caused by parts flung out uncontrollably. Never use the device if children, other people or pets are nearby! Also make sure to keep enough distance to your hands and feet.



Tips and notes on using the grass and shrub shears

General information:

- Before every application, make sure that the shear attachment is correctly positioned in the mounting flange. The shear attachment must be firmly locked in place on the mounting flange (2).
- Before every application, make sure that you have selected the correct shear attachment for the intended use.
- Put the protective cover on the shear blade after each use.

Cutting hedges (only with shrub shears attachment)

- Before starting to work, check the hedge for any hidden foreign objects such as parts of garden fences.
- The device is able to cut branches up to a thickness of max. 7.5 mm.
- Move the device forward evenly on the cutting line to feed branches to the cutting blade. The double-sided cutter bar allows you to cut in both directions or to perform pendulum movements from one side to the other.

Cutting grass edges (only with grass shears attachment)

- Guide the device along the edge of the lawn. Avoid the cutting blade coming into contact with paved ground, stones or garden walls as this will significantly shorten the service life of the cutting blade.

Switching the device on and off

Wear your personal protective equipment when working with the device.



Warning of hand injuries

There is a risk of injury from cuts in the area of the shear blade if the device is handled without due care. Never reach into the shear blade. Always keep the shear blade away from your body and from other people nearby.

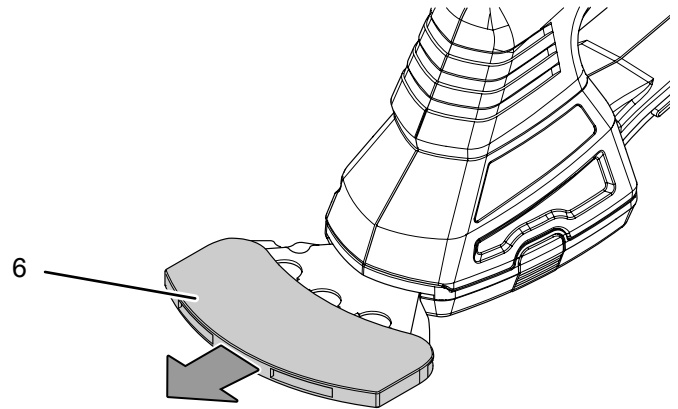


Warning of hand injuries

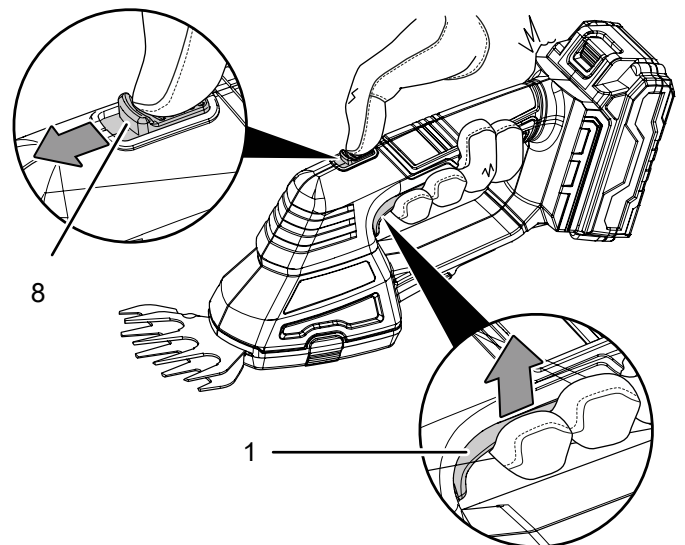
After switching off the device, there is a risk of injuries from cuts due to the shear blade's follow-up time. Always wait until the shear blade comes to a standstill.



1. Check whether the used shear attachment is suitable for the intended application.
2. Remove the protective cover (7, 6) from the shear attachment (4, 5).

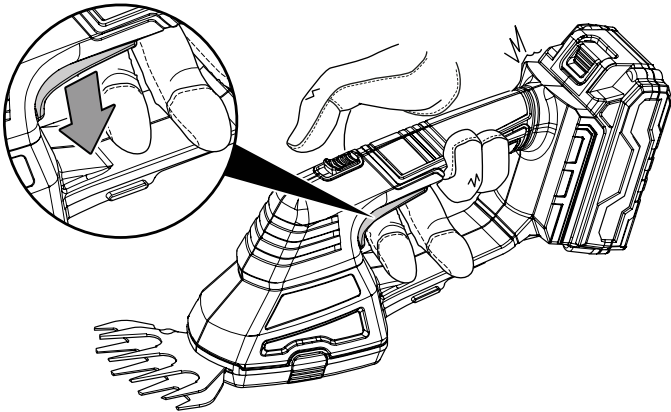


3. Press the start lock (8) to be able to actuate the on/off switch (1).

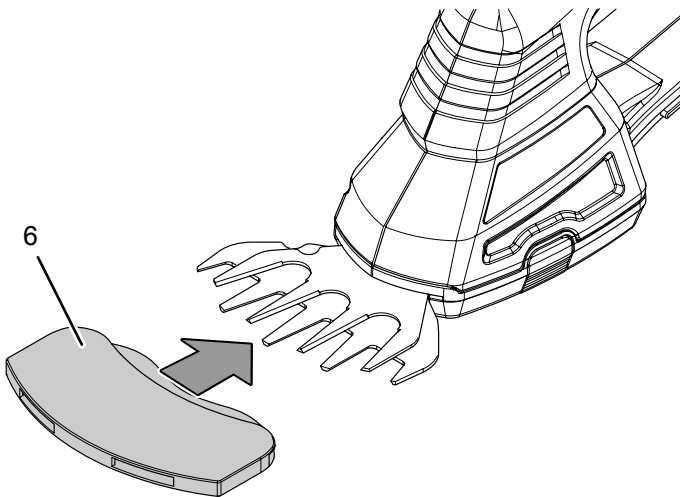


4. Press the on/off switch (1) and hold it during operation.

5. After completion of the work, let go of the on/off switch (1) to stop the device.



6. Put the protective cover (7, 6) on the shear attachment (4, 5).



Shutdown



Warning of electrical voltage

Do not touch the mains plug with wet or damp hands.

- Switch the device off.
- Put the protective cover on the shear attachment.
- If required, allow the device to cool down.
- Hold onto the mains plug while pulling the power cable of the charger out of the mains socket.
- Remove the battery from the device (see Start-up chapter).
- Remove the shear attachment from the mounting flange (see Start-up chapter).
- Clean the device according to the Maintenance chapter.
- Store the device according to the Transport and storage chapter.

Available accessories



Warning

Only use accessories and additional equipment specified in the instructions. Using insertion tools or accessories other than those specified in the instructions may cause a risk of injury.

Designation	Article number
Multiflex 20V 2.0 Ah spare battery	6.200.000.303
Multiflex 20V 4.0 Ah spare battery	6.200.000.320
Grass shears attachment	6.250.000.001
Shrub shears attachment	6.250.000.002

Errors and faults

The device has been checked for proper functioning several times during production. If malfunctions occur nonetheless, check the device according to the following list.

Troubleshooting tasks which require the housing to be opened must only be carried out by an authorized specialist electrical company or by Trotec.

Light smoke or odour is emitted during the first use:

- This is not a fault. These phenomena disappear after a brief runtime.

The battery does not charge:

- Check whether the battery is inserted correctly in the quick charger.

Slide the battery into the quick charger in a way that the battery terminals engage in the quick charger. The battery must lock in place in the quick charger.

- Check the power connection.
- Check the power cable and mains plug for damage.
- Check the on-site fusing.
- Check the quick charger for damage. If the quick charger is damaged, stop using it. Contact the Trotec customer service.
- Check the battery terminals for dirt. Remove any dirt.
- The battery might be defective and have to be replaced. Only use batteries of the same type.

The device does not start:

- The battery power might be too low. Recharge the battery.
- Check whether the battery is correctly connected to the device.

Slide the battery onto the device in a way that the battery terminals engage. The battery must lock in place in the device.

- Check the battery terminals for dirt. Remove any dirt.
- The shear blade is jammed. Check the shear blade for any potential obstruction caused by stones or branches. Do not try to remove the obstruction during operation! Switch off the device, remove the battery from the device and carefully loosen the obstruction with a suitable tool. Never reach into the shear blades directly with your hands.



Info

Wait for at least 10 minutes before switching the device back on.

If the cutting result is poor:

- The shear blade is dirty. Clean and maintain the shear blade according to the Maintenance chapter.
- The shear blade is damaged. Check the shear blade for damages. Do not use the shear attachment if the shear blade is damaged. Replace the damaged shear attachment with a new one.
- The shear blade is blunt. Do not use shear attachments with a blunt shear blade. Replace the shear attachment with a new one and keep the shear blade sharp and free of rust as described in the Maintenance chapter.

The device becomes hot:

- Check whether the selected shear attachment is suitable for the intended application.
- When pruning shoots, be careful not to cut too many shoots at once. Perform slow and steady movements.

Note

Wait for at least 3 minutes after maintenance and repair work. Only then switch the device back on.

The device still does not operate correctly after these checks:

Please contact the customer service. If necessary, bring the device to an authorised specialist electrical company or to Trotec for repair.

Maintenance

Activities required before starting maintenance



Warning of electrical voltage

Do not touch the mains plug or the battery with wet or damp hands.

- Switch the device off.
- Allow the device to cool down completely.
- Remove the battery from the device.



Warning of electrical voltage

Maintenance tasks which require the housing to be opened must only be carried out by authorised specialist companies or by Trotec.

Notes on maintenance

- Keep the shear blade sharp and free of rust by regularly checking it and greasing it with suitable grease or penetrating oil.

Inside the device, there are no parts that need to be maintained or lubricated by the user.

Safety signs on the battery

Check the safety signs attached to the battery at regular intervals. Replace illegible safety signs!

Cleaning

The device should be cleaned before and after each use.



Warning of electrical voltage

There is a risk of a short-circuit due to liquids penetrating the housing!

Do not immerse the device and the accessories in water. Make sure that no water or other liquids can enter the housing.

- Clean the device with a soft, damp and lint-free cloth. Make sure that no moisture enters the housing. Protect electrical components from moisture. Do not use any aggressive cleaning agents such as cleaning sprays, solvents, alcohol-based or abrasive cleaners to dampen the cloth.
- Dry the device with a soft, lint-free cloth.
- Dry the bits with a soft, lint-free cloth.
- Keep the connecting terminals on the device and charger clean.

Disposal



The icon with the crossed-out waste bin on waste electrical or electronic equipment stipulates that this equipment must not be disposed of with the household waste at the end of its life. You will find collection points for free return of waste electrical and electronic equipment in your vicinity. The addresses can be obtained from your municipality or local administration. You can also find out about other return options that apply for many EU countries on the website <https://hub.trotec.com/?id=45090>. Otherwise, please contact an official recycling centre for electronic and electrical equipment authorised for your country.

The separate collection of waste electrical and electronic equipment aims to enable the re-use, recycling and other forms of recovery of waste equipment as well as to prevent negative effects for the environment and human health caused by the disposal of hazardous substances potentially contained in the equipment.



LI-Ion

In the European Union, batteries and accumulators must not be treated as domestic waste, but must be disposed of professionally in accordance with Directive 2006/66/EC of the European Parliament and of the Council of 6 September 2006 on batteries and accumulators. Please dispose of batteries and accumulators according to the relevant legal requirements.

Declaration of conformity

The text below sets out the contents of the declaration of conformity. The signed declaration of conformity can be found at <https://hub.trotec.com/?id=44756>.

Declaration of conformity

in accordance with the EC Machinery Directive 2006/42/EC,
Annex II, Part 1, Section A

Herewith, we – Trotec GmbH– declare that the machinery designated below was developed, constructed and produced in compliance with the requirements of the EC Machinery Directive in the version 2006/42/EC.

Product model / Product: PGSS 10-20V

Product type: cordless grass and shrub shears

Year of manufacture as of: 2021

Relevant EU directives:

- 2011/65/EU: 01/07/ 2011
- 2012/19/EU: 24/07/2012
- 2014/30/EU: 29/03/2014

Applied harmonised standards:

- EN 50636-2-94:2014
- EN 55014-1:2017
- EN 60335-1:2012/A2:2019
- EN 62233:2008
- EN 62841-1:2015
- EN 62841-4-2:2019

Applied national standards and technical specifications:

- None

Manufacturer and name of the authorised representative of the technical documentation:

Trotec GmbH

Grebener Straße 7, D-52525 Heinsberg

Phone: +49 2452 962-400

E-mail: info@trotec.de

Place and date of issue:

Heinsberg, 19.02.2021

Detlef von der Lieck, Managing Director

Trotec GmbH

Grebbener Str. 7
D-52525 Heinsberg

☎ +49 2452 962-400

☎ +49 2452 962-200

✉ info@trotec.com

www.trotec.com