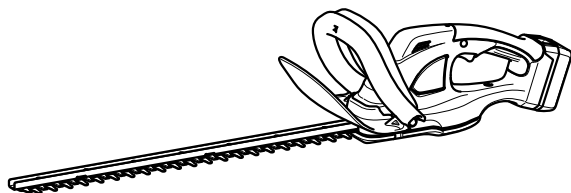




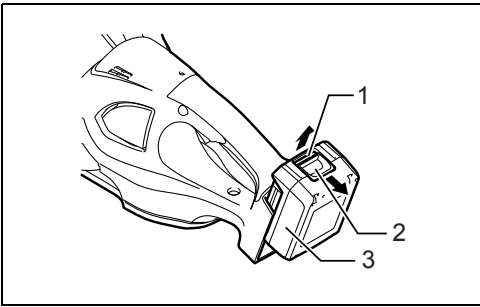
GB	Cordless Hedge Trimmer	Instruction manual
F	Taille-haie sans fil	Manuel d'instructions
D	Akku-Heckenschere	Betriebsanleitung
I	Tagliasiepi a batteria	Istruzioni per l'uso
NL	Accuheggenschaar	Gebruiksaanwijzing
E	Cortasetos Inalámbrico	Manual de instrucciones
P	Aparador De Cerca Viva a Bateria	Manual de instruções
DK	Batteridrevet hækkeklipper	Brugsanvisning
GR	Ψαλίδι Μπορντούρας Μπαταρίας	Οδηγίες χρήσης
TR	Akülü Çit Budama	Kullanım kılavuzu

DUH483
DUH523



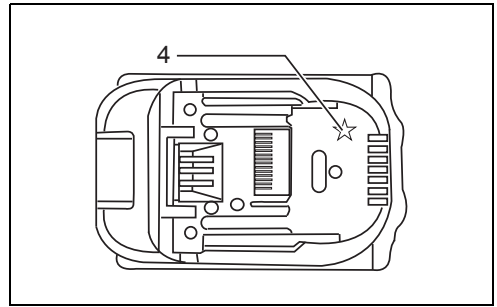
012444





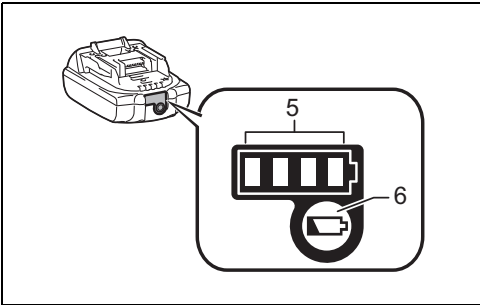
1

012445



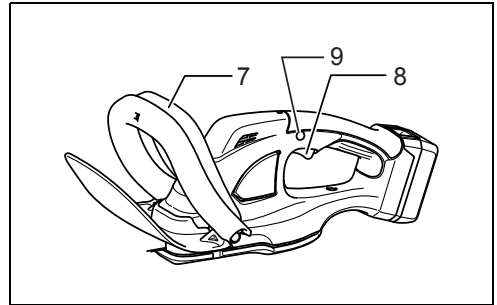
2

012128



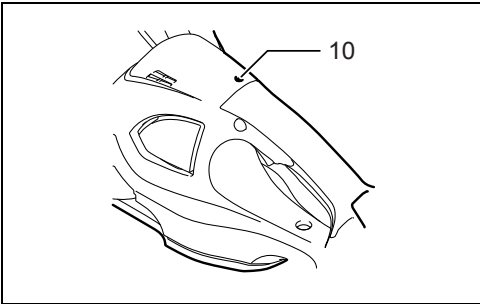
3

015659



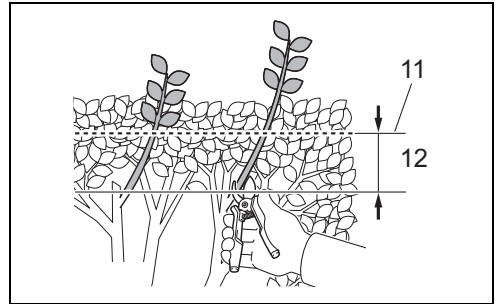
4

012491



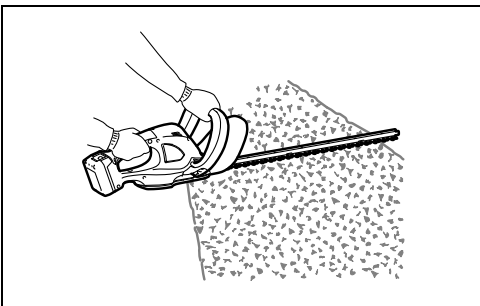
5

012480



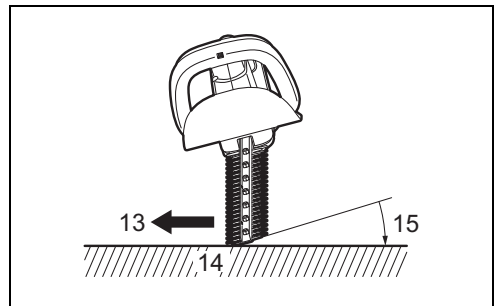
6

1020201



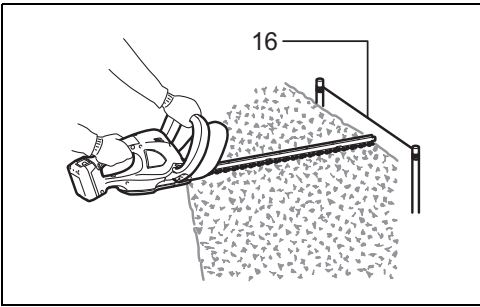
7

012484



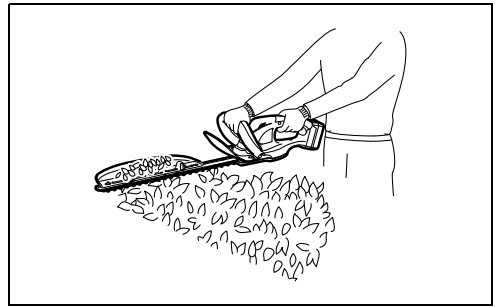
8

012485



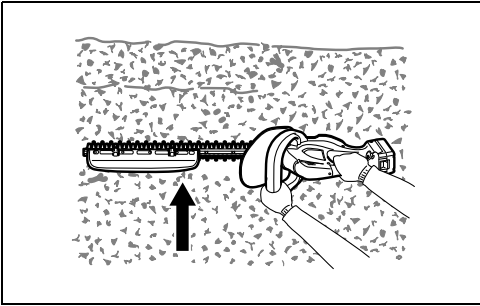
9

012486



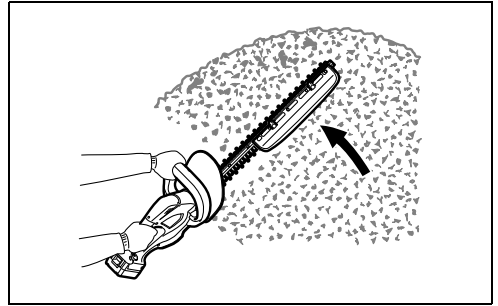
10

012487



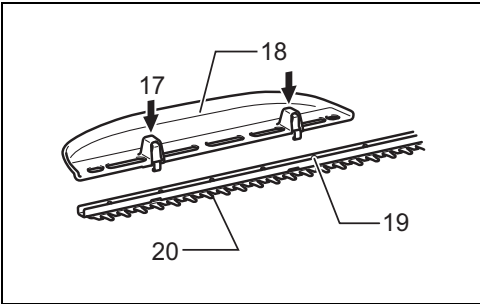
11

012488



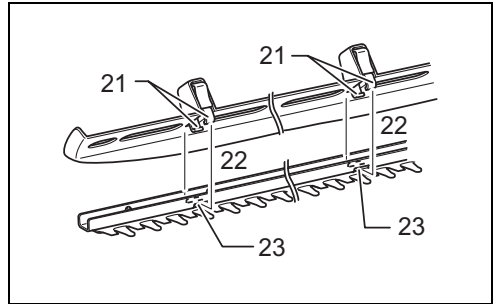
12

012489



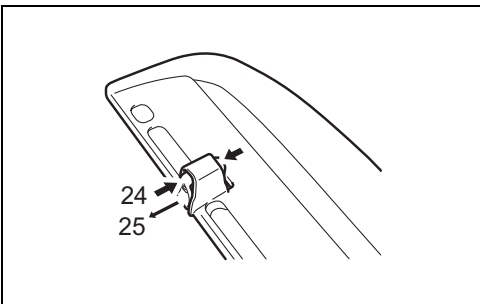
13

012493



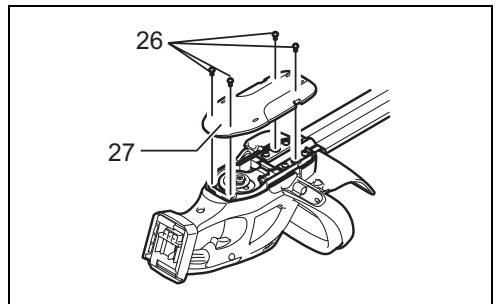
14

012494



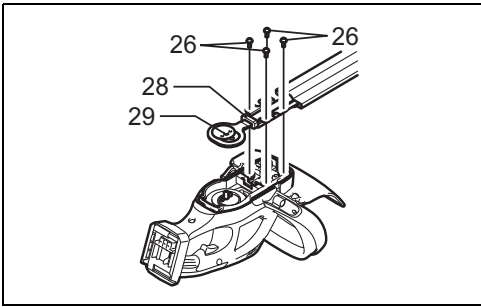
15

009293



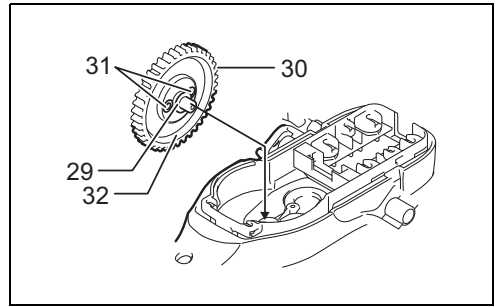
16

012447



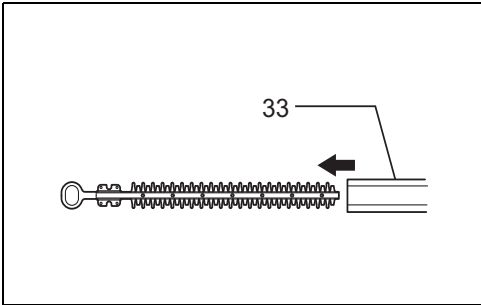
17

012451



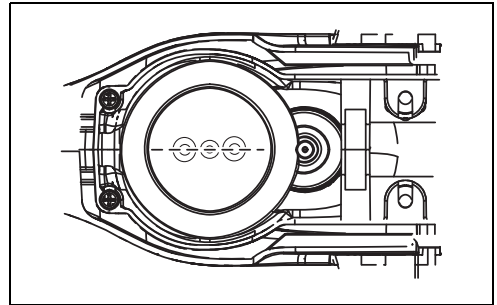
18

012481



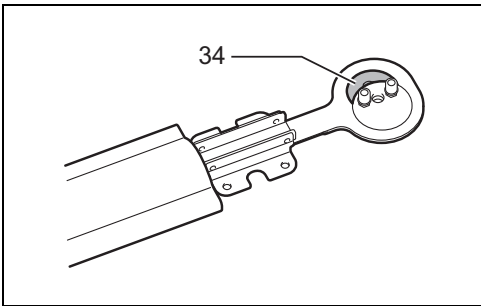
19

012450



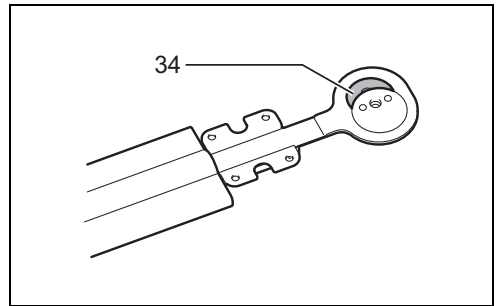
20

012490



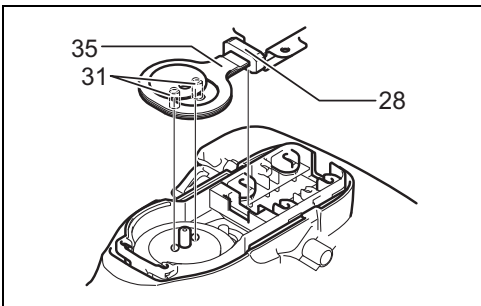
21

012454



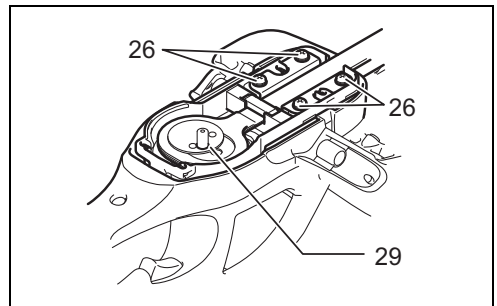
22

012455



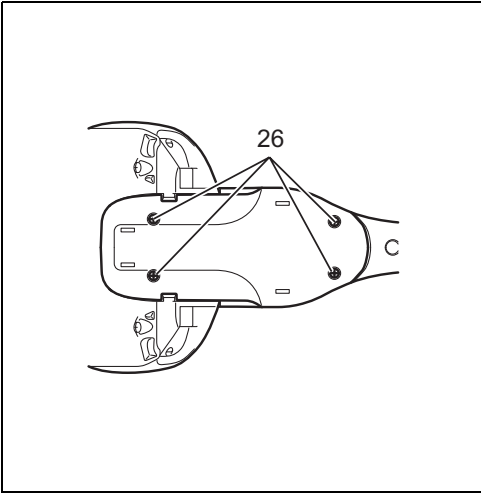
23

012482



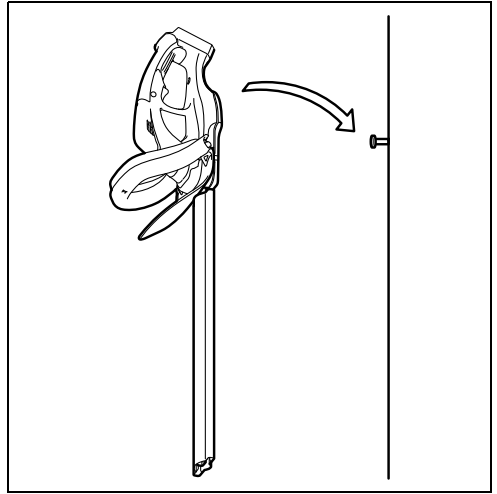
24

012452



25

012446



26

012453

ENGLISH (Original instructions)

Explanation of general view

- | | | |
|----------------------|------------------------------------|----------------------|
| 1. Red indicator | 13. Trimming direction | 25. Unlock the hooks |
| 2. Button | 14. Hedge surface to be trimmed | 26. Screws |
| 3. Battery cartridge | 15. Tilt the blades | 27. Under cover |
| 4. Star marking | 16. String | 28. Sponge |
| 5. Indicator lamps | 17. Press | 29. Washer |
| 6. Check button | 18. Chip receiver | 30. Gear |
| 7. Switch trigger A | 19. Nut | 31. Sleeves |
| 8. Switch trigger B | 20. Shear blade | 32. Groove |
| 9. Lock-off button | 21. Hooks | 33. Blade cover |
| 10. Indication lamp | 22. Fit the hooks into groove | 34. Grease |
| 11. Cutting height | 23. Grooves | 35. Blade |
| 12. 10 cm | 24. Press the levers on both sides | |

SPECIFICATIONS

Model	DUH483	DUH523
Blade length	480 mm	520 mm
Strokes per minute (min ⁻¹)	1,350	
Rated voltage	D.C.18 V	
Overall length (Depending on the battery)	873 - 888 mm	923 - 938 mm
Net weight	3.0 - 3.3 kg	3.0 - 3.4 kg

- Due to our continuing program of research and development, the specifications herein are subject to change without notice.
- Specifications may differ from country to country.
- The weight may differ depending on the attachment(s), including the battery cartridge. The lightest and heaviest combination, according to EPTA-Procedure 01/2014, are shown in the table.

Applicable battery cartridge and charger

Battery cartridge	BL1815N/BL1820B/BL1830B/BL1840B/BL1850B/BL1860B
Charger	DC18RC/DC18RD/DC18RE/DC18SD/DC18SE/DC18SF/DC18SH

- Some of the battery cartridges and chargers listed above may not be available depending on your region of residence.

WARNING:

- **Only use the battery cartridges and chargers listed above.** Use of any other battery cartridges and chargers may cause injury and/or fire.

Recommended battery adapter

Battery adapter	PDC01
-----------------	-------

- The battery adapter(s) listed above may not be available depending on your region of residence.
- Before using the battery adapter, read instruction and cautionary markings on the battery adapter.

Symbol


The following show the symbols used for the equipment.
Be sure that you understand their meaning before use.


END013-6




..... Only for EU countries

 Read instruction manual.

 Do not expose to moisture.

 Wear eye protection.

 DANGER - Keep hands away from blade.

Do not dispose of electric equipment or battery pack together with household waste material!

In observance of the European Directives, on Waste Electric and Electronic Equipment and Batteries and Accumulators and Waste Batteries and Accumulators and their implementation in accordance with national laws, electric equipment and batteries and battery pack(s) that have

reached the end of their life must be collected separately and returned to an environmentally compatible recycling facility.

Intended use

ENE014-1

The tool is intended for trimming hedges.

General power tool safety warnings

GEA010-2

⚠ WARNING: Read all safety warnings, instructions, illustrations and specifications provided with this power tool. Failure to follow all instructions listed below may result in electric shock, fire and/or serious injury.

Save all warnings and instructions for future reference.

The term "power tool" in the warnings refers to your mains-operated (corded) power tool or battery-operated (cordless) power tool.

Cordless Hedge Trimmer Safety Warnings

GEB215-2

1. **Keep all parts of the body away from the blade. Do not remove cut material or hold material to be cut when blades are moving.** Blades continue to move after the switch is turned off. A moment of inattention while operating the hedge trimmer may result in serious personal injury.
2. **Carry the hedge trimmer by the handle with the blade stopped and taking care not to operate any power switch.** Proper carrying of the hedge trimmer will decrease the risk of inadvertent starting and resultant personal injury from the blades.
3. **When transporting or storing the hedge trimmer, always fit the blade cover.** Proper handling of the hedge trimmer will decrease the risk of personal injury from the blades.
4. **When clearing jammed material or servicing the unit, make sure all power switches are off and the battery pack is removed or disconnected.** Unexpected actuation of the hedge trimmer while clearing jammed material or servicing may result in serious personal injury.
5. **Hold the hedge trimmer by insulated gripping surfaces only, because the blade may contact hidden wiring.** Blades contacting a "live" wire may make exposed metal parts of the hedge trimmer "live" and could give the operator an electric shock.
6. **Keep all power cords and cables away from cutting area.** Power cords or cables may be hidden in hedges or bushes and can be accidentally cut by the blade.
7. **Do not use the hedge trimmer in bad weather conditions, especially when there is a risk of lightning.** This decreases the risk of being struck by lightning.

Additional Safety Instructions

Preparation

1. **Check the hedges and bushes for foreign objects, such as wire fences or hidden wiring before operating the tool.**
2. **The tool must not be used by children or young persons under 18 years of age.** Young persons over 16 years of age may be exempted from this restriction if they are undergoing training under the supervision of an expert.
3. **First-time users should have an experienced user show them how to use the tool.**
4. **Use the tool only if you are in good physical condition.** If you are tired, your attention will be reduced. Be especially careful at the end of a working day. Perform all work calmly and carefully. The user is responsible for all damages to third parties.
5. **Never use the tool when under the influence of alcohol, drugs or medication.**
6. **Work gloves of stout leather are part of the basic equipment of the tool and must always be worn when working with it. Also wear sturdy shoes with anti-skid soles.**
7. **Before starting work check to make sure that the tool is in good and safe working order. Ensure guards are fitted properly. The tool must not be used unless fully assembled.**

Operation

1. **Hold the tool firmly with both hands when using the tool.**
2. **The tool is intended to be used by the operator at ground level. Do not use the tool on ladders or any other unstable support.**
3. **DANGER - Keep hands away from blade.** Contact with blade will result in serious personal injury.
4. **Do not use the tool in the rain or in wet or very damp conditions.** The electric motor is not waterproof.
5. **Make sure you have a secure footing before starting operation.**
6. **Do not operate the tool at no-load unnecessarily.**
7. **Immediately switch off the tool and remove the battery cartridge if the shear blades should come into contact with a fence or other hard object. Check the blades for damage, and if damaged, replace the blades immediately.**
8. **Before checking the shear blades, taking care of faults, or removing material caught in the shear blades, always switch off the tool and remove the battery cartridge.**
9. **Never point the shear blades to yourself or others.**
10. **If the blades stop moving due to the stuck of foreign objects between the blades during operation, switch off the tool and remove the battery cartridge, and then remove the foreign objects using tools such as pliers.** Removing the foreign objects by hand may cause an injury for the reason that the blades may move in reaction to removing the foreign objects.
11. **Avoid dangerous environment. Don't use the tool in damp or wet locations or expose it to rain. Water entering the tool will increase the risk of electric shock.**

Maintenance and storage

1. Switch off the tool and remove the battery cartridge before doing any maintenance work.
2. When moving the tool to another location, including during work, always remove the battery cartridge and put the blade cover on the shear blades. Never carry or transport the tool with the blades running. Never grasp the blades with your hands.
3. Clean the tool and especially the shear blades after use, and before putting the tool into storage for extended periods. Lightly oil the blades and put on the blade cover.
4. Store the tool with the blade cover on, in a dry room. Keep it out of reach of children. Never store the tool outdoors.
5. Do not dispose of the battery(ies) in a fire. The cell may explode. Check with local codes for possible special disposal instructions.
6. Do not open or mutilate the battery(ies). Released electrolyte is corrosive and may cause damage to the eyes or skin. It may be toxic if swallowed.
7. Do not charge battery in rain, or in wet locations.

SAVE THESE INSTRUCTIONS.

WARNING:

DO NOT let comfort or familiarity with product (gained from repeated use) replace strict adherence to safety rules for the subject product. MISUSE or failure to follow the safety rules stated in this instruction manual may cause serious personal injury.

Important safety instructions for battery cartridge

ENC007-16


1. Before using battery cartridge, read all instructions and cautionary markings on (1) battery charger, (2) battery, and (3) product using battery.
2. Do not disassemble or tamper the battery cartridge. It may result in a fire, excessive heat, or explosion.
3. If operating time has become excessively shorter, stop operating immediately. It may result in a risk of overheating, possible burns and even an explosion.
4. If electrolyte gets into your eyes, rinse them out with clear water and seek medical attention right away. It may result in loss of your eyesight.
5. Do not short the battery cartridge:
 - (1) Do not touch the terminals with any conductive material.
 - (2) Avoid storing battery cartridge in a container with other metal objects such as nails, coins, etc.
 - (3) Do not expose battery cartridge to water or rain.

A battery short can cause a large current flow, overheating, possible burns and even a breakdown.

6. Do not store and use the tool and battery cartridge in locations where the temperature may reach or exceed 50 °C (122 °F).

7. Do not incinerate the battery cartridge even if it is severely damaged or is completely worn out. The battery cartridge can explode in a fire.
8. Do not nail, cut, crush, throw, drop the battery cartridge, or hit against a hard object to the battery cartridge. Such conduct may result in a fire, excessive heat, or explosion.
9. Do not use a damaged battery.
10. The contained lithium-ion batteries are subject to the Dangerous Goods Legislation requirements. For commercial transports e.g. by third parties, forwarding agents, special requirement on packaging and labeling must be observed. For preparation of the item being shipped, consulting an expert for hazardous material is required. Please also observe possibly more detailed national regulations. Tape or mask off open contacts and pack up the battery in such a manner that it cannot move around in the packaging.
11. When disposing the battery cartridge, remove it from the tool and dispose of it in a safe place. Follow your local regulations relating to disposal of battery.
12. Use the batteries only with the products specified by Makita. Installing the batteries to non-compliant products may result in a fire, excessive heat, explosion, or leak of electrolyte.
13. If the tool is not used for a long period of time, the battery must be removed from the tool.
14. During and after use, the battery cartridge may take on heat which can cause burns or low temperature burns. Pay attention to the handling of hot battery cartridges.
15. Do not touch the terminal of the tool immediately after use as it may get hot enough to cause burns.
16. Do not allow chips, dust, or soil stuck into the terminals, holes, and grooves of the battery cartridge. It may result in poor performance or breakdown of the tool or battery cartridge.
17. Unless the tool supports the use near high-voltage electrical power lines, do not use the battery cartridge near a high-voltage electrical power lines. It may result in a malfunction or breakdown of the tool or battery cartridge.
18. Keep the battery away from children.

SAVE THESE INSTRUCTIONS.

 CAUTION: Only use genuine Makita batteries. Use of non-genuine Makita batteries, or batteries that have been altered, may result in the battery bursting causing fires, personal injury and damage. It will also void the Makita warranty for the Makita tool and charger.

Tips for maintaining maximum battery life

1. Charge the battery cartridge before completely discharged. Always stop tool operation and charge the battery cartridge when you notice less tool power.
2. Never recharge a fully charged battery cartridge. Overcharging shortens the battery service life.

- Charge the battery cartridge with room temperature at 10°C - 40°C (50°F - 104°F). Let a hot battery cartridge cool down before charging it.
- When not using the battery cartridge, remove it from the tool or the charger.
- Charge the battery cartridge if you do not use it for a long period (more than six months).

FUNCTIONAL DESCRIPTION

⚠ CAUTION:

- Always be sure that the tool is switched off and the battery cartridge is removed before adjusting or checking function on the tool.

Installing or removing battery cartridge (Fig. 1)

⚠ CAUTION:

- Always switch off the tool before installing or removing of the battery cartridge.
- Hold the tool and the battery cartridge firmly when installing or removing battery cartridge. Failure to hold the tool and the battery cartridge firmly may cause them to slip off your hands and result in damage to the tool and battery cartridge and a personal injury.

To remove the battery cartridge, slide it from the tool while sliding the button on the front of the cartridge.

To install the battery cartridge, align the tongue on the battery cartridge with the groove in the housing and slip it into place. Insert it all the way until it locks in place with a little click. If you can see the red indicator on the upper side of the button, it is not locked completely.

⚠ CAUTION:

- Always install the battery cartridge fully until the red indicator cannot be seen. If not, it may accidentally fall out of the tool, causing injury to you or someone around you.
- Do not install the battery cartridge forcibly. If the cartridge does not slide in easily, it is not being inserted correctly.

Battery protection system (Lithium-ion battery with star marking) (Fig. 2)

Lithium-ion batteries with a star marking are equipped with a protection system. This system automatically cuts off power to the tool to extend battery life.

The tool will automatically stop during operation if the tool and/or battery are placed under one of the following conditions:

- Overloaded:
 - The tool is operated in a manner that causes it to draw an abnormally high current.
 - In this situation, release the switch trigger on the tool and stop the application that caused the tool to become overloaded. Then pull the switch trigger again to restart.
 - If the tool does not start, the battery is overheated. In this situation, let the battery cool before pulling the switch trigger again.
- Low battery voltage:
 - The remaining battery capacity is too low and the tool will not operate. In this situation, remove and recharge the battery.

Indicating the remaining battery capacity

(Only for battery cartridges with "B" at the end of the model number.) (Fig. 3)

Press the check button on the battery cartridge to indicate the remaining battery capacity. The indicator lamps light up for few seconds.

Indicator lamps			Remaining capacity
Lighted	Off	Blinking	
■	■	■	75% to 100%
■	■	■	50% to 75%
■	■	□	25% to 50%
■	□	□	0% to 25%
◻	◻	◻	Charge the battery.
■	■	◻	The battery may have malfunctioned.
◻	◻	■	

015658

NOTE:

- Depending on the conditions of use and the ambient temperature, the indication may differ slightly from the actual capacity.

Switch action

⚠ CAUTION:

- Before inserting the battery cartridge into the tool, always check to see that the switch trigger actuates properly and returns to the "OFF" position when released. (Fig. 4)

For your safety, this tool is equipped with a dual switching system. To turn on the tool, press the lock-off button and triggers A and B. Release either one of the two pressed triggers to turn off. The sequence of switching is unimportant as the tool only starts when both switches are activated.

Indication lamp (Fig. 5)

Running the tool allows the indication lamp to show the battery cartridge capacity status.

When the tool is also overloaded and has stopped during operation, the lamp lights up in red.

Refer to the following table for the status and action to be taken for the indication lamp.

Indication lamp	Status	Action to be taken
The lamp blinks in red	This indicates the appropriate time to replace the battery cartridge when the battery power becomes low.	Recharge the battery cartridge as soon as possible.
The lamp lights up in red. (Note 1)	This function works when the battery power is almost used up. At this time, tool stops immediately.	Recharge the battery cartridge.
The lamp lights up in red. (Note 1)	Autostop due to overload	Turn off the tool.

Note 1: The time at which the indication lamp lights up varies by the temperature around the work area and the battery cartridge conditions.

010970

OPERATION

⚠ CAUTION:

- Be careful not to accidentally contact a metal fence or other hard objects while trimming. The blade will break and may cause serious injury.
- Overreaching with a hedge trimmer, particularly from a ladder, is extremely dangerous. Do not work from anything wobbly or infirm.

NOTICE:

Do not attempt to cut branches thicker than 10 mm in diameter with the tool. Cut branches to 10 cm lower than the cutting height using branch cutters before using the tool. (Fig. 6)

⚠ CAUTION:

- Do not cut off dead trees or similar hard objects. Failure to do so may damage the tool. (Fig. 7)
- Hold the trimmer with both hands and pull the switch trigger A or B and then move it in front of your body. (Fig. 8)

As a basic operation, tilt the blades towards the trimming direction and move it calmly and slowly at the speed rate of 3 - 4 seconds per meter. (Fig. 9)

To cut a hedge top evenly, it helps to tie a string at the desired hedge height and to trim along it, using it as a reference line. (Fig. 10)

Attaching the chip receiver (optional accessory) on the tool when trimming the hedge straight can avoid cut off leaves' being thrown away. (Fig. 11)

To cut a hedge side evenly, it helps to cut from the bottom upwards. (Fig. 12)

Trim boxwood or rhododendron from the base toward the top for a nice appearance and good job.

Installing or removing chip receiver (optional accessory)

⚠ CAUTION:

- Always be sure that the tool is switched off and unplugged before installing or removing chip receiver.

NOTE:

- When replacing the chip receiver, always wear gloves so that hands and face does not directly contact the blade. Failure to do so may cause personal injury.
- Always be sure to remove the blade cover before installing the chip receiver.
- The chip receiver receives cut-off leaves and alleviates collecting thrown-away leaves. This can be installed on either side of the tool. (Fig. 13)

Press the chip receiver on the shear blades so that its slits overlap with the nuts on the shear blades. (Fig. 14)

At this time, the chip receiver needs to be installed so that its hooks fit into grooves in the shear blade unit. (Fig. 15) To remove the chip receiver, press its lever on both sides so that the hooks are unlocked.

⚠ CAUTION:

- The blade cover (standard equipment) cannot be installed on the tool with the chip receiver being installed. Before carrying or storing, uninstall the chip receiver and then install the blade cover to avoid blade exposure.

NOTE:

- Check the chip receiver for secure installment before use.
- Never try to uninstall the chip receiver by an excessive force with its hooks locked in the blade unit grooves. Using the excessive force may damage it.

MAINTENANCE

⚠ CAUTION:

- Always be sure that the tool is switched off and the battery cartridge is removed before attempting to perform inspection or maintenance.

Cleaning the tool

Clean out the tool by wiping off dust with a dry or soap-dipped rag.

⚠ CAUTION:

- Never use gasoline, benzine, thinner, alcohol or the like. Discoloration, deformation or cracks may result.

Blade maintenance

Smear the blade before and once per hour during operation using machine oil or the like.

NOTE:

- Before smearing the blade, remove the chip receiver. After operation, remove dust from both sides of the blade with wired brush, wipe it off with a rag and then apply enough low-viscosity oil, such as machine oil etc. and spray-type lubricating oil.

⚠ CAUTION:

- Do not wash the blades in water. Failure to do so may cause rust or damage on the tool.

Removing or installing shear blade

CAUTION:

- Before removing or installing shear blade, always be sure that the tool is switched off and the battery cartridge is removed.
- When replacing the shear blade, always wear gloves without removing blade cover so that hands and face does not directly contact the blade. Failure to do so may cause personal injury.

NOTE:

- Do not wipe off grease from the gear and crank. Failure to do so may cause damage to the tool.

Removing the shear blades (Fig. 16)

Reverse the tool and loosen four screws and remove the under cover.

NOTE:

- Be careful not to get your hands dirty as grease is applied in the shear blade driving area. (Fig. 17)

Loosen four screws and remove the blades. Remove the washer and sponge from the shear blades and put them aside. They are required for the later installation. (Fig. 18) If the sleeves are still left in the holes of the gear, remove the gear and push the sleeves out of it with a screwdriver or the like.

NOTE:

The washer underneath the gear may come off by mistake when removing the gear. In this case, return it to the original position as it was installed.

Installing the shear blade (Fig. 19)

Remove the blade cover from the old shear blades and fit it onto the new ones to avoid contact with blades.

(Fig. 20)

Adjust the hole positions by turning the gear as illustrated. (Fig. 21 & 22)

Apply some grease provided with the new shear blades as illustrated. (Fig. 23)

Put the removed sponge in the same position as the old one. Make sure that the sleeves provided with the new shear blades are put on the pins of the blade. Place the new shear blades on the tool so that the pins fit in the holes of the gear. If the sleeves on the pins come off mistakenly, put them into the holes of the gear beforehand. (Fig. 24)

Install the blade and tighten the four screws and put the removed washer in the same position as the old one. (Fig. 25)

Install the under cover on the tool and tighten the four screws firmly.

Storage

The hook hole in the tool bottom is convenient for hanging the tool from a nail or screw on the wall. (Fig. 26)

Remove the battery cartridge and put the blade cover on the shear blades so that the blades are not exposed. Store the tool out of the reach of children carefully. Store the tool in the place not exposed to water and rain. To maintain product SAFETY and RELIABILITY, repairs, any other maintenance or adjustment should be performed by Makita Authorized Service Centers, always using Makita replacement parts.

OPTIONAL ACCESSORIES

CAUTION:

- These accessories or attachments are recommended for use with your Makita tool specified in this manual. The use of any other accessories or attachments might present a risk of injury to persons. Only use accessory or attachment for its stated purpose.

If you need any assistance for more details regarding these accessories, ask your local Makita Service Center.

- Blade cover
- Shear blade assembly
- Makita genuine battery and charger
- Chip receiver

NOTE:

- Some items in the list may be included in the tool package as standard accessories. They may differ from country to country.

Noise

ENG905-1

The typical A-weighted noise level determined according to EN62841-4-2:

Model DUH483

Sound pressure level (L_{pA}): 73 dB (A)

Uncertainty (K): 3.9 dB (A)

The noise level under working may exceed 80 dB (A).

Model DUH523

Sound pressure level (L_{pA}): 73 dB (A)

Uncertainty (K): 4.3 dB (A)

The noise level under working may exceed 80 dB (A).

ENG907-1

- The declared noise emission value(s) has been measured in accordance with a standard test method and may be used for comparing one tool with another.
- The declared noise emission value(s) may also be used in a preliminary assessment of exposure.

WARNING:

- **Wear ear protection.**
- **The noise emission during actual use of the power tool can differ from the declared value(s) depending on the ways in which the tool is used especially what kind of workpiece is processed.**
- **Be sure to identify safety measures to protect the operator that are based on an estimation of exposure in the actual conditions of use (taking account of all parts of the operating cycle such as the times when the tool is switched off and when it is running idle in addition to the trigger time).**

Vibration

ENG900-1

The vibration total value (tri-axial vector sum) determined according to EN62841-4-2:

Vibration emission (a_{hv}): 2.5 m/s² or less

Uncertainty (K): 1.5 m/s²

ENG901-2

- The declared vibration total value(s) has been measured in accordance with a standard test method and may be used for comparing one tool with another.
- The declared vibration total value(s) may also be used in a preliminary assessment of exposure.

 **WARNING:**

- The vibration emission during actual use of the power tool can differ from the declared value(s) depending on the ways in which the tool is used especially what kind of workpiece is processed.
- Be sure to identify safety measures to protect the operator that are based on an estimation of exposure in the actual conditions of use (taking account of all parts of the operating cycle such as the times when the tool is switched off and when it is running idle in addition to the trigger time).

EC Declaration of Conformity

For European countries only

The EC declaration of conformity is included as Annex A to this instruction manual.

FRANÇAIS (Instructions d'origine)

Descriptif

- | | | |
|---------------------------|--|--------------------------------|
| 1. Voyant rouge | 14. Surface de la haie à tailler | 25. Déverrouillez les fermoirs |
| 2. Bouton | 15. Inclinez les lames | 26. Vis |
| 3. Batterie | 16. Ficelle | 27. Couvercle secondaire |
| 4. Étoile | 17. Appuyez | 28. Éponge |
| 5. Voyants | 18. Récepteur de copeaux | 29. Rondelle |
| 6. Bouton de vérification | 19. Écrou | 30. Engrenage |
| 7. Gâchette A | 20. Lame de cisailles | 31. Manchons |
| 8. Gâchette B | 21. Fermoirs | 32. Rainure |
| 9. Bouton de sécurité | 22. Installez les fermoirs dans la rainure | 33. Protège-lame |
| 10. Voyant | 23. Rainures | 34. Graisse |
| 11. Hauteur de coupe | 24. Appuyez des deux côtés des leviers | 35. Lame |
| 12. 10 mm | | |
| 13. Sens de la taille | | |

SPÉCIFICATIONS

Modèle	DUH483	DUH523
Longueur de la lame	480 mm	520 mm
Passes par minute (min ⁻¹)	1 350	
Tension nominale	18 V C.C.	
Longueur totale (Selon la batterie)	873 - 888 mm	923 - 938 mm
Poids net	3,0 - 3,3 kg	3,0 - 3,4 kg

- Étant donné l'évolution constante de notre programme de recherche et de développement, les spécifications contenues dans ce manuel sont sujettes à des modifications sans préavis.
- Les spécifications peuvent varier suivant les pays.
- Le poids peut varier en fonction des pièces complémentaires, notamment de la batterie. La combinaison la plus légère et la combinaison la plus lourde, selon la procédure EPTA du 01/2014, sont présentées dans le tableau.

Batterie standard et chargeur applicables

Batterie	BL1815N/BL1820B/BL1830B/BL1840B/BL1850B/BL1860B
Chargeur	DC18RC/DC18RD/DC18RE/DC18SD/DC18SE/DC18SF/DC18SH

- Certains types de batterie et de chargeurs répertoriés ci-dessus peuvent ne pas être disponibles en fonction de votre région ou lieu de résidence.

AVERTISSEMENT :

- **Utilisez uniquement les batteries et chargeurs indiqués ci-dessus.** L'utilisation de toute autre batterie ou d'un autre chargeur peut provoquer des blessures et/ou déclencher un incendie.

Adaptateur de batterie recommandé

Adaptateur de Batterie	PDC01
------------------------	-------

- Le ou les adaptateurs de batterie répertoriés ci-dessus peuvent ne pas être disponibles selon la région où vous résidez.
- Avant d'utiliser l'adaptateur de batterie, lisez les instructions et les avertissements inscrits sur l'adaptateur de batterie.

Symboles

END013-6

Les symboles utilisés pour l'appareil sont indiqués ci-dessous. Assurez-vous d'avoir bien compris leur signification avant d'utiliser l'appareil.



..... Porter une protection oculaire.



..... DANGER - Gardez vos mains à l'écart de la lame.



..... Reportez-vous au manuel d'instructions.



..... Pour les pays européens uniquement
Ne pas jeter les appareils électriques et les bloc-batteries dans les ordures ménagères !



..... Gardez à l'abri de l'humidité.

Conformément aux directives européennes relatives aux déchets d'équipements électriques ou électroniques (DEEE) ainsi qu'aux batteries, aux accumulateurs et aux batteries et accumulateurs usagés et à leur transposition dans la législation nationale, les appareils électriques, les batteries et les bloc-batteries doivent être collectés à part et être soumis à un recyclage respectueux de l'environnement.

Utilisations

ENE014-1

Cet outil est conçu pour le taillage des haies.

Consignes de sécurité générales pour outils électriques

GEA010-2

⚠ AVERTISSEMENT : Veuillez lire les consignes de sécurité, instructions, illustrations et spécifications qui accompagnent cet outil électrique. Le non-respect de toutes les instructions indiquées ci-dessous peut entraîner une électrocution, un incendie et/ou de graves blessures.

Conservez toutes les mises en garde et instructions pour référence ultérieure.

Le terme « outil électrique » dans les avertissements fait référence à l'outil électrique alimenté par le secteur (avec cordon d'alimentation) ou à l'outil électrique fonctionnant sur batterie (sans cordon d'alimentation).

Consignes de sécurité pour taille-haie sans fil

GEB215-2

1. **Prenez soin de n'approcher aucune partie du corps de la lame. Ne retirez pas le matériau coupé, ni ne tenez le matériau à couper lorsque les lames sont en mouvement.** Les lames continuent de bouger même après que l'interrupteur est en position d'arrêt. Un moment d'inattention en cours d'utilisation du taille-haie peut entraîner des blessures graves.
2. **Transportez le taille-haie par la poignée avec la lame arrêtée et en prenant soin de ne pas actionner l'interrupteur d'alimentation.** En transportant correctement le taille-haie, vous diminuez le risque d'un démarrage intempestif et le risque de blessure présenté par les lames.
3. **Lors du transport ou du rangement du taille-haie, mettez toujours en place le couvre-lame.** Une manipulation correcte du taille-haie réduira le risque de blessure présenté par les lames.
4. **Lorsque vous dégagez un matériau bloqué ou dépannez l'appareil, assurez-vous que tous les interrupteurs d'alimentation sont en position d'arrêt et que la batterie est retirée ou débranchée.** Le déclenchement inopiné du taille-haie pendant que vous dégagez un matériau bloqué ou dépannez

l'appareil peut provoquer de graves blessures corporelles.

5. **Tenez le taille-haie uniquement par ses surfaces de prise isolées, car la lame pourrait entrer en contact avec le câblage caché.** Le contact des lames avec un fil sous tension peut transmettre du courant dans les pièces métalliques exposées du taille-haie et électrocuter l'opérateur.
6. **Éloignez les cordons d'alimentation et les câbles de la zone de coupe.** Les cordons d'alimentation ou les câbles peuvent être cachés derrière les haies ou les buissons et peuvent être coupés accidentellement par la lame.
7. **N'utilisez pas le taille-haie par mauvais temps, particulièrement en cas d'orage.** Vous éviterez ainsi d'être frappé par la foudre.

Consignes de sécurité supplémentaires

Préparatifs

1. **Vérifiez l'absence de corps étrangers comme du fil barbelé ou un câblage caché dans les haies et les buissons avant d'utiliser l'outil.**
2. **L'outil ne doit pas être utilisé par des enfants ou des adolescents de moins de 18 ans.** Cette restriction peut ne pas s'appliquer aux mineurs de plus de 16 ans s'ils sont en cours de formation sous la surveillance d'un expert.
3. **Les utilisateurs novices doivent être formés par un utilisateur expérimenté pour leur montrer comment utiliser l'outil.**
4. **N'utilisez l'outil que si vous êtes en bonne condition physique.** Si vous êtes fatigué, votre attention sera réduite. Redoublez de précaution à la fin d'une journée de travail. Travaillez toujours en faisant preuve de calme et de prudence. L'utilisateur est responsable de tous les dommages causés à des tiers.
5. **N'utilisez jamais l'outil lorsque vous êtes sous l'influence d'alcool, de drogues ou de médicaments.**
6. **Les gants de travail en cuir robuste font partie de l'équipement de base de l'outil et leur port est obligatoire pendant que vous l'utilisez. Portez également des chaussures solides à semelles antidérapantes.**
7. **Avant de commencer la tâche, assurez-vous que l'outil est dans un bon état de marche sécuritaire. Assurez-vous que les carters de protection sont correctement installés. L'outil ne doit pas être utilisé tant qu'il n'est pas complètement assemblé.**

Fonctionnement


1. **Tenez l'outil fermement avec les deux mains lorsque vous l'utilisez.**
2. **L'outil est conçu pour être utilisé par l'opérateur au niveau du sol. N'utilisez pas l'outil sur une échelle ou tout autre support instable.**
3. **DANGER - Gardez vos mains à l'écart de la lame.** Le contact avec la lame présente un risque de graves blessures corporelles.
4. **N'utilisez pas l'outil sous la pluie ou dans des conditions mouillées ou très humides.** Le moteur électrique n'est pas étanche.

5. **Assurez-vous que vous avez une bonne assise avant la mise en marche.**
6. **Ne faites pas tourner l'outil à vide inutilement.**
7. **Éteignez immédiatement l'outil et retirez la batterie si les lames de cisaille entrent en contact avec une clôture ou un autre objet dur. Vérifiez si les lames sont endommagées et remplacez-les sur-le-champ, le cas échéant.**
8. **Avant de vérifier les lames de cisaille, de les dépanner ou de retirer des matériaux pris dedans, éteignez toujours l'outil et retirez la batterie.**
9. **Ne dirigez jamais les lames de cisaille vers vous-même ou quelqu'un d'autre.**
10. **Si les lames cessent de bouger, car des corps étrangers sont collés entre elles pendant le fonctionnement, éteignez l'outil et retirez la batterie, puis ôtez les corps étrangers en utilisant un outil comme une pince. Ôter les corps étrangers à la main présente un risque de blessure, du fait que les lames peuvent bouger en réaction au retrait des corps étrangers.**
11. **Évitez les environnements dangereux. N'utilisez pas l'outil dans un endroit humide, ni ne l'exposez à la pluie. Le risque d'électrocution augmente si de l'eau pénètre dans l'outil.**

Entretien et rangement

1. **Éteignez l'outil et retirez la batterie avant de procéder à l'entretien.**
2. **Lorsque vous déplacez l'outil dans un autre endroit, y compris pendant le travail, retirez toujours la batterie et placez le couvre-lame sur les lames de cisaille. Ne transportez jamais l'outil avec les lames fonctionnant. Ne saisissez jamais les lames avec les mains.**
3. **Nettoyez l'outil et particulièrement les lames de cisaille après utilisation et avant de le ranger pendant une période prolongée. Huilez légèrement les lames et mettez le couvre-lame en place.**
4. **Rangez l'outil avec le couvre-lame en place dans une pièce sèche. Gardez-le hors de portée des enfants. Ne rangez jamais l'outil à l'extérieur.**
5. **Ne jetez pas la ou les batteries au feu. L'élément de la pile pourrait exploser. Consultez les codes locaux pour de possibles instructions de mise au rebut spéciales.**
6. **N'ouvrez ni ne manipulez la ou les batteries. L'électrolyte qui s'échappe de la batterie est corrosif et peut irriter la peau ou les yeux. Il peut être toxique en cas d'ingestion.**
7. **Ne chargez pas la batterie sous la pluie ou dans un endroit mouillé.**

CONSERVEZ CES INSTRUCTIONS.

 **AVERTISSEMENT :**
NE vous laissez **PAS** tromper (au fil d'une utilisation répétée) par un sentiment d'aisance et de familiarité avec le produit, en négligeant le respect rigoureux des consignes de sécurité qui accompagnent le produit en question. La **MAUVAISE UTILISATION** de l'outil ou l'ignorance des consignes de sécurité indiquées dans ce mode d'emploi peut entraîner de graves blessures.

Consignes de sécurité importantes pour la batterie

ENC007-16

1. **Avant d'utiliser la batterie, lisez toutes les instructions et précautions relatives (1) au chargeur de batterie, (2) à la batterie, et (3) au produit utilisant la batterie.**
2. **Ne désassemblez pas et ne modifiez pas la batterie.** Cela pourrait entraîner un incendie, une chaleur excessive ou une explosion.
3. **Cessez immédiatement l'utilisation si le temps de fonctionnement devient excessivement court. Il y a risque de surchauffe, de brûlures, voire d'explosion.**
4. **Si l'électrolyte pénètre dans vos yeux, rincez-les à l'eau claire et consultez immédiatement un médecin. Il y a risque de perte de la vue.**
5. **Ne court-circuitez pas la batterie :**
 - (1) **Ne touchez les bornes avec aucun matériau conducteur.**
 - (2) **Évitez de ranger la batterie dans un conteneur avec d'autres objets métalliques, par exemple des clous, des pièces de monnaie, etc.**
 - (3) **N'exposez pas la batterie à l'eau ou à la pluie. Un court-circuit de la batterie peut provoquer une intensité de courant élevée, une surchauffe, parfois des brûlures et même une panne.**
6. **Ne rangez ni n'utilisez l'outil et la batterie dans un endroit où la température risque d'atteindre ou de dépasser 50 °C.**
7. **Ne jetez pas la batterie au feu même si elle est sérieusement endommagée ou complètement usée. La batterie peut exploser au contact du feu.**
8. **Abstenez-vous de clouer, couper, écraser, jeter, laisser tomber la batterie, ou de la heurter contre un objet dur.** Cela pourrait entraîner un incendie, une chaleur excessive ou une explosion.
9. **N'utilisez pas la batterie si elle est endommagée.**
10. **Les batteries au lithium-ion contenues sont soumises aux exigences de la législation sur les marchandises dangereuses.**
 Lors du transport commercial par des tierces parties ou des transitaires par exemple, des exigences spécifiques en matière d'étiquetage et d'emballage doivent être respectées.
 Pour la préparation de l'article expédié, il est nécessaire de consulter un expert en matériau dangereux. Veuillez également respecter les réglementations nationales susceptibles d'être plus détaillées.
 Recouvrez les contacts exposés avec du ruban adhésif ou du ruban de masquage et emballez la batterie de telle sorte qu'elle ne puisse pas bouger dans l'emballage.
11. **Lors de la mise au rebut de la batterie, retirez-la de l'outil et jetez-la en lieu sûr. Suivez les réglementations locales en matière de mise au rebut des batteries.**
12. **Utilisez les batteries uniquement avec les produits spécifiés par Makita.** L'insertion de batteries dans des produits non conformes peut provoquer un

incendie, une chaleur excessive, une explosion ou une fuite de l'électrolyte.

13. **Lorsque vous n'utilisez pas l'outil pendant une période prolongée, la batterie doit être retirée de l'outil.**
14. **Pendant et après l'utilisation, la batterie peut chauffer, ce qui peut entraîner des brûlures, y compris en cas de température relativement basse. Manipulez les batteries chaudes avec précaution.**
15. **Ne touchez pas la borne de l'outil immédiatement après utilisation car elle peut être assez chaude pour provoquer des brûlures.**
16. **Évitez que des copeaux, de la poussière ou du sol adhèrent aux bornes, aux trous et aux rainures de la batterie.** Cela pourrait réduire les performances ou casser l'outil ou la batterie.
17. **À moins que l'outil prenne en charge un tel usage, n'utilisez pas la batterie à proximité de lignes électriques haute tension.** Cela pourrait entraîner un dysfonctionnement ou casser l'outil ou la batterie.
18. **Conservez la batterie hors de portée des enfants.**

CONSERVEZ CES INSTRUCTIONS.

⚠ ATTENTION : N'utilisez que des batteries Makita d'origine. L'utilisation de batteries de marque autre que Makita ou de batteries modifiées peut provoquer l'explosion des batteries, ce qui présente un risque d'incendie, de dommages matériels et corporels. Cela annulera également la garantie Makita pour l'outil et le chargeur Makita.

Conseils pour assurer la durée de vie optimale de la batterie

1. **Chargez la batterie avant qu'elle ne soit complètement déchargée. Arrêtez toujours l'outil et rechargez la batterie quand vous remarquez que la puissance de l'outil diminue.**
2. **Ne rechargez jamais une batterie complètement chargée. La surcharge réduit la durée de service de la batterie.**
3. **Chargez la batterie à une température ambiante comprise entre 10 °C et 40 °C. Avant de charger une batterie chaude, laissez-la refroidir.**
4. **Lorsque vous n'utilisez pas la batterie, retirez-la de l'outil ou du chargeur.**
5. **Rechargez la batterie si elle est restée inutilisée pendant une période prolongée (plus de six mois).**

DESCRIPTION DU FONCTIONNEMENT

⚠ ATTENTION :

- Veillez toujours à ce que l'outil soit éteint et la batterie déposée avant d'effectuer des réglages ou de vérifier le fonctionnement de l'outil.

Installation et retrait de la batterie (Fig. 1)

⚠ ATTENTION :

- Éteignez toujours l'outil avant d'installer ou de déposer la batterie.

- **Tenez fermement l'outil et la batterie lors de l'installation ou du retrait de la batterie.** Si vous ne tenez pas fermement l'outil et la batterie, ils risquent de glisser et de s'abîmer ou de vous blesser.

Pour retirer la batterie, faites glisser le bouton à l'avant de la batterie et sortez la batterie.

Pour installer la batterie, alignez sa languette sur la rainure qui se trouve à l'intérieur du carter, puis glissez la batterie pour la mettre en place. Insérez-la bien à fond, jusqu'à ce qu'elle se verrouille en émettant un léger clic. Si vous pouvez voir le voyant rouge sur la face supérieure du bouton, la batterie n'est pas parfaitement verrouillée.

⚠ ATTENTION :

- Installez toujours la batterie à fond, de sorte que le voyant rouge ne soit plus visible. Sinon, elle risque de tomber accidentellement de l'outil, en vous blessant ou en blessant une personne située près de vous.
- Ne forcez pas pour installer la batterie. Si la batterie ne glisse pas aisément, c'est qu'elle n'est pas insérée correctement.

Système de protection de la batterie (batterie au lithium-ion comportant une étoile) (Fig. 2)

Les batteries au lithium-ion comportant une étoile sont équipées d'un système de protection. Ce système coupe automatiquement l'alimentation en électricité vers l'outil afin de prolonger sa durée de vie.

L'outil s'arrête automatiquement pendant l'utilisation lorsqu'il et/ou la batterie se trouvent dans l'une des situations suivantes :

- **Surcharge :**
L'outil fonctionne de manière à créer un courant anormalement élevé.
Dans ce cas, relâchez la gâchette située sur l'outil et arrêtez l'application ayant provoqué la surcharge de l'outil. Ensuite, tirez à nouveau sur la gâchette pour redémarrer l'outil.
Si l'outil ne démarre pas, la batterie est en surchauffe. Dans ce cas, laissez la batterie refroidir avant d'appuyer à nouveau sur la gâchette.
- **Basse tension :**
L'autonomie restante est trop basse et l'outil ne fonctionnera pas. Dans ce cas, retirez la batterie et rechargez-la.

Indication de l'autonomie restante de la batterie

(uniquement pour les batteries dont le numéro de modèle se termine par la lettre « B ».) (Fig. 3)

Appuyez sur le bouton de vérification pour indiquer l'autonomie restante de la batterie. Les voyants s'allument alors pendant quelques secondes.

Voyants			Autonomie restante
Allumé	Éteint	Clignotant	
■	□	▣	75 % à 100 %
■ ■ ■ ■			
■ ■ ■ ■	□		50 % à 75 %
■ ■	□ □		25 % à 50 %
■	□ □ □		0 % à 25 %
▣	□ □ □		Recharger la batterie.
■ ■ □ □	□ □	■ ■	Il est possible que la batterie ait mal fonctionné.
□ □	□ □	■ ■	

015658

REMARQUE :

- Selon les conditions d'utilisation et la température ambiante, les indications peuvent différer légèrement de l'autonomie réelle restante.

Interrupteurs

⚠ ATTENTION :

- Avant d'insérer la batterie dans l'outil, vérifiez toujours que la gâchette fonctionne correctement et revient en position d'arrêt lorsqu'elle est libérée. (Fig. 4)

Pour votre sécurité, cet outil est équipé d'un double système d'allumage. Pour mettre l'outil sous tension, appuyez sur le bouton de sécurité et les gâchettes A et B. Pour mettre l'outil hors tension, relâchez une ou les deux gâchettes enfoncées. La séquence d'allumage importe peu car l'outil démarre uniquement lorsque les deux interrupteurs sont activés.

Voyant (Fig. 5)

Faites fonctionner l'outil pour que le voyant indique l'autonomie restante de la batterie.

Si l'outil est également surchargé et s'arrête pendant son fonctionnement, le voyant rouge s'allume.

Reportez-vous au tableau suivant pour connaître l'état de la batterie et les mesures à prendre concernant le voyant.

Voyant	État	Mesure à prendre
Le voyant rouge clignote.	Cela indique le bon moment pour remplacer la batterie lorsque son alimentation faiblit.	Rechargez la batterie dans les plus brefs délais.
Le voyant rouge s'allume. (Remarque 1)	Cette fonction peut être utilisée lorsque l'autonomie de la batterie est quasiment nulle. À ce stade, l'outil s'arrête immédiatement.	Rechargez la batterie.
Le voyant rouge s'allume. (Remarque 1)	Arrêt automatique en raison d'une surcharge.	Éteignez l'outil.

Remarque 1 : l'heure à laquelle le voyant s'allume varie selon la température de la zone de travail et l'état de la batterie.

010970

FUNCTIONNEMENT

⚠ ATTENTION :

- Veillez à ne pas entrer en contact accidentellement avec une clôture métallique ou d'autres objets durs lors de la taille. La lame pourrait se briser et provoquer de graves blessures.
- Il est extrêmement dangereux de tendre le bras trop loin avec un taille-haie, en particulier depuis une échelle. Ne travaillez pas sur une surface bancale ou instable.

NOTE :

N'essayez pas de couper les branches d'une épaisseur supérieure à 10 mm de diamètre avec l'outil. Coupez les branches jusqu'à 10 cm plus bas que la hauteur de coupe à l'aide d'un sécateur avant d'utiliser l'outil. (Fig. 6)

⚠ ATTENTION :

- Ne coupez pas les arbres morts ou objets durs similaires. Vous risqueriez d'endommager l'outil. (Fig. 7)

Tenez le taille-haie avec les deux mains, appuyez sur la gâchette A ou B, puis déplacez l'outil devant votre corps. (Fig. 8)

Le fonctionnement de base consiste à incliner les lames dans le sens de la taille et à les déplacer calmement et lentement à une vitesse nominale de 3 à 4 secondes par mètre. (Fig. 9)

Pour couper le haut d'une haie de manière régulière, vous pouvez attacher une ficelle au niveau de la hauteur souhaitée de la haie et tailler le long de celle-ci, en l'utilisant comme une ligne de référence. (Fig. 10) La fixation du récepteur de copeaux (accessoire en option) sur l'outil lors du taillage de la haie de manière droite peut éviter que les feuilles coupées soient éparpillées. (Fig. 11)

Pour couper le côté d'une haie de manière régulière, coupez-la de bas en haut. (Fig. 12)

Taillez le buis ou les rhododendrons de la base vers le haut afin d'obtenir une jolie haie et un travail bien fait.

Installation ou retrait du récepteur de copeaux (accessoire en option)

⚠ ATTENTION :

- Assurez-vous toujours que l'outil est hors tension et débranché avant d'installer ou de retirer le récepteur de copeaux.

REMARQUE :

- Lorsque vous remplacez le récepteur de copeaux, portez toujours des gants, de sorte que vos mains et votre visage ne soient pas en contact direct avec la lame. Le non-respect de cette instruction peut provoquer des blessures corporelles.
- Veillez toujours à retirer le protège-lame avant d'installer le récepteur de copeaux.
- Le récepteur de copeaux reçoit les feuilles coupées et facilite le recueil des feuilles éparpillées. Il s'installe d'un côté comme de l'autre de l'outil. (Fig. 13)

Appuyez sur le récepteur de copeaux situé sur les lames de cisailles de sorte que ses fentes chevauchent les écrous situés sur les lames de cisailles. (Fig. 14)

À ce stade, vous devez installer le récepteur de copeaux, de sorte que ses fermoirs s'insèrent dans les rainures de l'unité des lames de cisailles. (Fig. 15)

Pour déposer le récepteur de copeaux, appuyez de chaque côté de son levier de manière à déverrouiller les fermoirs.

⚠ ATTENTION :

- Le protège-lame (équipement standard) ne peut pas être installé sur l'outil lorsque le récepteur de copeaux s'y trouve déjà. Avant de transporter ou de ranger l'outil, désinstallez le récepteur de copeaux, puis installez le protège-lame afin d'éviter que celle-ci soit exposée.

REMARQUE :

- Vérifiez que le récepteur de copeaux est installé de manière sécurisée avant de l'utiliser.
- N'essayez jamais de désinstaller le récepteur de copeaux en forçant de manière démesurée lorsque ses fermoirs sont verrouillés dans les rainures de l'unité de la lame. L'application d'une force excessive risque de l'endommager.

ENTRETIEN

⚠ ATTENTION :

- Assurez-vous toujours que l'outil est hors tension et que la batterie est retirée avant d'y effectuer tout travail d'inspection ou d'entretien.

Nettoyage de l'outil

Pour nettoyer l'outil, essuyez la poussière à l'aide d'un chiffon sec ou imbibé d'eau savonneuse.

⚠ ATTENTION :

- N'utilisez jamais d'essence, de benzine, de diluant, d'alcool ou de produit similaire. Ces produits risquent de provoquer des décolorations, des déformations ou des fissures.

Maintenance de la lame

Lubrifiez la lame à l'aide d'huile pour machines ou de produits similaires avant d'utiliser l'outil et toutes les heures pendant son fonctionnement.

REMARQUE :

- Avant de lubrifier la lame, retirez le récepteur de copeaux.

Après avoir utilisé l'outil, retirez la poussière des deux côtés de la lame à l'aide d'une brosse métallique, essuyez-la à l'aide d'un chiffon, puis appliquez suffisamment d'huile à basse viscosité, telle que de l'huile

pour machines, de l'huile de graissage à pulvérisation, etc.

⚠ ATTENTION :

- Ne lavez pas les lames dans l'eau. Vous risqueriez de provoquer l'apparition de rouille ou d'endommager l'outil.

Retrait ou installation de la lame de cisailles

⚠ ATTENTION :

- Avant de retirer ou d'installer la lame de cisailles, assurez-vous toujours que l'outil est hors tension et que la batterie est retirée.
- Lorsque vous remplacez la lame de cisailles, portez toujours des gants sans retirer le protège-lame, de sorte que vos mains et votre visage ne soient pas en contact direct avec la lame. Le non-respect de cette instruction peut provoquer des blessures corporelles.

REMARQUE :

- N'essayez pas la graisse de l'engrenage et de la bielle. Vous risqueriez d'endommager l'outil.

Démontage des lames de la cisaille (Fig. 16)

Retournez l'outil et desserrez les quatre vis et retirez le couvercle secondaire.

REMARQUE :

- Veillez à ne pas vous salir les mains car la graisse se diffuse sur la zone de déplacement de la lame de cisailles. (Fig. 17)

Desserrez les quatre vis et retirez les lames. Retirez la rondelle et l'éponge des lames de la cisaille et mettez-les de côté. Vous en aurez besoin pour la suite de l'installation. (Fig. 18)

Si les manchons n'ont pas été retirés des orifices de l'engrenage, retirez l'engrenage et appuyez sur les manchons avec un tournevis ou un objet similaire pour les faire sortir.

REMARQUE :

La rondelle située sous l'engrenage peut se détacher par erreur lors du retrait de l'engrenage. Dans ce cas, remplacez-le en position d'origine tel qu'il était installé.

Installation de la lame de la cisaille (Fig. 19)

Retirez le protège-lame des anciennes lames de cisaille et installez-le sur les nouvelles pour éviter tout contact avec celles-ci. (Fig. 20)

Réglez la position des orifices en tournant l'engrenage comme illustré. (Fig. 21 et 22)

Appliquez de la graisse fournie les lames de cisailles neuves comme illustré. (Fig. 23)

Placez l'éponge que vous avez retirée dans la même position que l'ancienne. Assurez-vous que les manchons fournis avec les lames de cisailles neuves sont placés sur les goupilles de la lame. Placez les lames de cisailles neuves sur l'outil, de sorte que les goupilles s'insèrent dans les orifices de l'engrenage. Si les manchons situés sur les goupilles se détachent par erreur, placez-les préalablement dans les orifices de l'engrenage. (Fig. 24)

Installez la lame et serrez les quatre vis, puis placez la rondelle que vous avez retirée dans la même position que l'ancienne. (Fig. 25)
Installez le couvercle secondaire sur l'outil et serrez les quatre vis fermement.

Entreposage

L'orifice du crochet situé dans la partie inférieure de l'outil est pratique pour suspendre l'outil à un clou ou une vis au mur. (Fig. 26)

Retirez la batterie et placez le protège-lame sur les lames de cisailles afin que celles-ci ne soient pas exposées. Veillez à ranger l'outil hors de portée des enfants.

Rangez l'outil à l'abri de la pluie et de l'eau.

Pour garantir la SÉCURITÉ et la FIABILITÉ du produit, les réparations ainsi que tout autre travail d'entretien ou de réglage doivent être effectués dans un centre d'entretien Makita agréé, exclusivement avec des pièces de rechange Makita.

ACCESSOIRES FOURNIS EN OPTION

⚠ ATTENTION :

- Ces accessoires ou pièces complémentaires sont recommandés pour être utilisés avec l'outil Makita spécifié dans ce mode d'emploi. L'utilisation de tout autre accessoire ou pièce complémentaire peut comporter un risque de blessure. N'utilisez les accessoires ou pièces qu'aux fins auxquelles ils ont été conçus.

Pour obtenir plus de détails sur ces accessoires, contactez votre Centre de service local Makita.

- Protège-lame
- Lame de cisailles
- Batterie et chargeur Makita d'origine
- Récepteur de copeaux

REMARQUE :

- Certains éléments de la liste peuvent être inclus en tant qu'accessoires standard dans le coffret de l'outil envoyé. Ils peuvent varier suivant les pays.

Bruit ENG905-1

Les niveaux de bruit pondéré A typiques ont été mesurés selon la norme EN62841-4-2 :

Modèles DUH483

Niveau de pression sonore (L_{pA}) : 73 dB (A)

Incertitude (K) : 3,9 dB (A)

Le niveau de bruit peut dépasser 80 dB (A) lors de l'utilisation.

Modèles DUH523

Niveau de pression sonore (L_{pA}) : 73 dB (A)

Incertitude (K) : 4,3 dB (A)

Le niveau de bruit peut dépasser 80 dB (A) lors de l'utilisation.

ENG907-1

- La ou les valeurs d'émission de bruit déclarées ont été mesurées conformément à la méthode de test standard et peuvent être utilisées pour comparer les outils entre eux.
- La ou les valeurs d'émission de bruit déclarées peuvent aussi être utilisées pour l'évaluation préliminaire de l'exposition.

⚠ AVERTISSEMENT :

- **Portez un serre-tête antibruit.**
- **L'émission de bruit lors de l'usage réel de l'outil électrique peut être différente de la ou des valeurs déclarées, suivant la façon dont l'outil est utilisé, particulièrement selon le type de pièce usinée.**
- **Les mesures de sécurité à prendre pour protéger l'utilisateur doivent être basées sur une estimation de l'exposition dans des conditions réelles d'utilisation (en tenant compte de toutes les composantes du cycle d'utilisation, comme par exemple le moment de sa mise hors tension, lorsqu'il tourne à vide et le moment de son déclenchement).**

Vibrations ENG900-1

La valeur totale de vibration (somme du vecteur triaxial) a été déterminée selon la norme EN62841-4-2 :

Émission des vibrations (a_h) : 2,5 m/s² ou moins

Incertitude (K) : 1,5 m/s²

ENG901-2

- La ou les valeurs de vibration totales déclarées ont été mesurées conformément à la méthode de test standard et peuvent être utilisées pour comparer les outils entre eux.
- La ou les valeurs de vibration totales déclarées peuvent aussi être utilisées pour l'évaluation préliminaire de l'exposition.

⚠ AVERTISSEMENT :

- **L'émission de vibrations lors de l'usage réel de l'outil électrique peut être différente de la ou des valeurs déclarées, suivant la façon dont l'outil est utilisé, particulièrement selon le type de pièce usinée.**
- **Les mesures de sécurité à prendre pour protéger l'utilisateur doivent être basées sur une estimation de l'exposition dans des conditions réelles d'utilisation (en tenant compte de toutes les composantes du cycle d'utilisation, comme par exemple le moment de sa mise hors tension, lorsqu'il tourne à vide et le moment de son déclenchement).**

Déclaration de conformité CE

Pour les pays d'Europe uniquement

La Déclaration de conformité CE figure en Annexe A du présent mode d'emploi.

DEUTSCH (Originalanweisungen)

Erklärung der Gesamtdarstellung

- | | | |
|-----------------------|--|--------------------------|
| 1. Roter Bereich | 14. Zu schneidende Heckenfläche | 25. Lösen der Haken |
| 2. Taste | 15. Neigung der Messer | 26. Schrauben |
| 3. Akkublock | 16. Schnur | 27. Untere Abdeckung |
| 4. Sternmarkierung | 17. Drücken | 28. Schaumstoff |
| 5. Anzeigenlampen | 18. Spanaufnehmer | 29. Unterlegscheibe |
| 6. Akkuprüftaste | 19. Mutter | 30. Zahnrad |
| 7. Ein/Aus-Schalter A | 20. Schneidblatt | 31. Hülsen |
| 8. Ein/Aus-Schalter B | 21. Haken | 32. Nut |
| 9. Arretiertaste | 22. Einpassen der Haken in die Kerbe | 33. Schneidschwertschutz |
| 10. Anzeige | 23. Kerben | 34. Schmierfett |
| 11. Schneidhöhe | 24. Drücken der Hebel an beiden Seiten | 35. Schneidmesser |
| 12. 10 cm | | |
| 13. Schneidrichtung | | |

TECHNISCHE DATEN

Modell	DUH483	DUH523
Schneidblattlänge	480 mm	520 mm
Schläge pro Minute (min ⁻¹)	1.350	
Nennspannung	18 V Gleichstrom	
Gesamtlänge (Je nach Akku)	873 - 888 mm	923 - 938 mm
Nettogewicht	3,0 - 3,3 kg	3,0 - 3,4 kg

- Aufgrund unserer beständigen Forschungen und Weiterentwicklungen sind Änderungen an den hier angegebenen Technischen Daten ohne Vorankündigung vorbehalten.
- Die Technischen Daten können in den einzelnen Ländern voneinander abweichen.
- Das Gewicht kann sich je nach Umfang und Art der vorhandenen Zubehörteile inkl. Akkublock ändern. Das Gewicht der leichtest- und schwerstmöglichen Kombination, das im Einklang mit dem EPTA-Verfahren 01/2014 ermittelt wurde, ist in der Tabelle aufgeführt.

Zu verwendender Akkublock mit Ladegerät

Akkublock	BL1815N/BL1820B/BL1830B/BL1840B/BL1850B/BL1860B
Ladegerät	DC18RC/DC18RD/DC18RE/DC18SD/DC18SE/DC18SF/DC18SH

- In Abhängigkeit der Region, in der Sie ansässig sind, kann es vorkommen, dass einige von den oben aufgeführten Akkublocken und Ladegeräten nicht verfügbar sind.

WARNUNG:

- **Verwenden Sie ausschließlich die oben angegebenen Akkublocke und Ladegeräte.** Bei Verwendung anderer Akkublocke und Ladegeräte besteht Verletzungs- und Brandgefahr.

Empfohlener Akku-Adapter

Akku Adapter	PDC01
--------------	-------

- Der (Die) oben aufgelistete(n) Akku-Adapter ist (sind) je nach Ihrem Wohngebiet eventuell nicht erhältlich.
- Lesen Sie vor der Benutzung des Akku-Adapters die Anweisungen und Warnmarkierungen am Akku-Adapter.

Symbole

END013-6
Im Folgenden sind die im Zusammenhang mit diesem Gerät verwendeten Symbole dargestellt. Machen Sie sich vor der Benutzung des Geräts unbedingt mit diesen Symbolen vertraut!



..... Setzen Sie das Gerät keiner Feuchtigkeit aus.



..... Tragen Sie einen Augenschutz.



..... GEFAHR- Halten Sie Ihre Hände vom Messer fern.



..... Lesen Sie die Bedienungsanleitung!



..... Nur für EU-Länder

Übersorgen Sie Elektrowerkzeuge, Batterien und Akkus nicht über den Hausmüll!

Gemäß der Europäischen Richtlinie über Elektro- und Elektronik- Altgeräte und über Batterien und Akkumulatoren sowie Altbatterien und Alttakkumulatoren und ihrer Umsetzung in nationales Recht müssen verbrauchte Elektrowerkzeuge sowie Altbatterien und Alttakkumulatoren getrennt gesammelt und einer umweltgerechten Wiederverwertung zugeführt werden.

Verwendungszweck

ENE014-1

Das Gerät wurde für das Schneiden von Hecken entwickelt.

Allgemeine Sicherheitswarnungen für Elektrowerkzeuge

GEA010-2

⚠ WARNUNG: Lesen Sie alle mit diesem Elektrowerkzeug gelieferten Sicherheitswarnungen, Anweisungen, Abbildungen und technischen Daten durch. Eine Missachtung der unten aufgeführten Anweisungen kann zu einem elektrischen Schlag, Brand und/oder schweren Verletzungen führen.

Bewahren Sie alle Warnungen und Anweisungen für spätere Bezugnahme auf.

Der Ausdruck „Elektrowerkzeug“ in den Warnhinweisen bezieht sich auf Ihr mit Netzstrom (mit Kabel) oder Akku (ohne Kabel) betriebenes Elektrowerkzeug.

Sicherheitswarnungen für Akku-Heckenschere

GEB215-2

- Halten Sie alle Körperteile vom Messer fern. Versuchen Sie nicht, abgeschnittenes Material zu entfernen oder zu schneidendes Material zu halten, während die Messer sich bewegen.** Die Messer bewegen sich nach dem Ausschalten des Schalters noch weiter. Ein Augenblick der Unachtsamkeit während der Benutzung der Heckenschere kann zu schweren Personenschäden führen.
- Tragen Sie die Heckenschere bei still stehendem Messer am Handgriff, und achten Sie darauf, keinen Ein-Aus-Schalter zu betätigen.** Sachgemäßes Tragen der Heckenschere verringert die Gefahr von versehentlichem Starten und daraus resultierenden Personenschäden durch die Messer.
- Bringen Sie beim Transportieren oder Lagern der Heckenschere immer die Messerabdeckung an.** Sachgemäße Handhabung der Heckenschere

verringert die Gefahr von Personenschäden durch die Messer.

- Vergewissern Sie sich vor dem Beseitigen von eingeklemmtem Material oder dem Warten des Gerätes, dass alle Ein-Aus-Schalter ausgeschaltet sind und der Akku abgenommen oder abgetrennt ist.** Unerwartete Betätigung der Heckenschere beim Beseitigen von eingeklemmtem Material oder Warten kann zu schweren Personenschäden führen.
- Halten Sie die Heckenschere nur an den isolierten Griffflächen, weil die Gefahr besteht, dass das Messer verborgene Kabel kontaktiert.** Bei Kontakt der Messer mit einem Strom führenden Kabel können die freiliegenden Metallteile der Heckenschere ebenfalls Strom führend werden, so dass der Benutzer einen elektrischen Schlag erleiden kann.
- Halten Sie alle Netzkabel und Kabel vom Schneidbereich fern.** Netzkabel oder Kabel können in Hecken oder Büschen verborgen sein und versehentlich durch das Messer abgeschnitten werden.
- Benutzen Sie die Heckenschere nicht bei schlechten Witterungsverhältnissen, besonders bei Blitzschlaggefahr.** Dadurch wird die Blitzschlaggefahr verringert.

Zusätzliche Sicherheitsanweisungen

Vorbereitung

- Überprüfen Sie die Hecken und Büsche auf Fremdkörper, wie z. B. Drahtzäune oder verborgene Kabel, bevor Sie das Werkzeug betreiben.**
- Das Werkzeug darf nicht von Kindern oder Jugendlichen unter 18 Jahren benutzt werden.** Jugendliche über 16 Jahre können von dieser Einschränkung ausgenommen werden, wenn sie eine Schulung unter der Aufsicht eines Fachmanns durchmachen.
- Anfänger sollten sich von einem erfahrenen Benutzer im Gebrauch des Werkzeugs unterweisen lassen.**
- Benutzen Sie das Werkzeug nur, wenn Sie sich in guter körperlicher Verfassung befinden.** Ermüdung führt zu verminderter Aufmerksamkeit. Besonders hohe Aufmerksamkeit ist am Ende eines Arbeitstages erforderlich. Führen Sie alle Arbeiten ruhig und sorgfältig durch. Der Benutzer ist für alle Schäden an Dritten verantwortlich.
- Benutzen Sie das Werkzeug niemals unter dem Einfluss von Alkohol, Drogen oder Medikamenten.**
- Arbeitshandschuhe aus robustem Leder sind Teil der Grundausrüstung des Werkzeugs und müssen bei der Arbeit immer getragen werden. Tragen Sie auch robuste Schuhe mit rutschfesten Sohlen.**
- Bevor Sie mit der Arbeit beginnen, vergewissern Sie sich, dass das Werkzeug in gutem und sicherem Arbeitszustand ist. Vergewissern Sie sich, dass Schutzhauben ordnungsgemäß angebracht sind. Das Werkzeug darf nur in vollständig montiertem Zustand benutzt werden.**

Betrieb

- Halten Sie das Werkzeug während der Benutzung mit beiden Händen fest.**

2. Das Werkzeug ist zur Benutzung durch den Bediener auf Bodenhöhe vorgesehen. Benutzen Sie das Werkzeug nicht auf einer Leiter oder einer anderen instabilen Unterlage.
3. **GEFAHR** - Halten Sie Ihre Hände vom Messer fern. Kontakt mit dem Messer führt zu ernsthaften Personenschäden.
4. Benutzen Sie das Werkzeug nicht bei Regen oder unter nassen oder sehr feuchten Bedingungen. Der Elektromotor ist nicht wasserdicht.
5. Achten Sie auf sicheren Stand, bevor Sie mit der Arbeit beginnen.
6. Lassen Sie das Werkzeug nicht unnötig im Leerlauf laufen.
7. Schalten Sie das Werkzeug sofort aus, und nehmen Sie den Akku ab, falls die Schermesser mit einem Zaun oder einem anderen harten Objekt in Berührung kommen. Überprüfen Sie die Messer auf Beschädigung, und ersetzen Sie beschädigte Messer unverzüglich.
8. Schalten Sie stets das Werkzeug aus, und nehmen Sie den Akku ab, bevor Sie die Schermesser überprüfen, Fehler beheben oder zwischen den Schermessern eingeklemmtes Material entfernen.
9. Richten Sie die Schermesser niemals auf sich selbst oder andere Personen.
10. Falls die Messer stehen bleiben, weil sich Fremdkörper während des Betriebs zwischen den Messern verfangen haben, schalten Sie das Werkzeug aus, nehmen Sie den Akku ab, und beseitigen Sie dann die Fremdkörper mithilfe von Werkzeugen, wie z. B. einer Zange. Beseitigen der Fremdkörper von Hand kann zu einer Verletzung führen, da sich die Messer als Reaktion auf die Beseitigung der Fremdkörper bewegen können.
11. Vermeiden Sie gefährliche Umgebungen. Benutzen Sie das Werkzeug nicht an feuchten oder nassen Orten, und setzen Sie es auch keinem Regen aus. Wasser, das in das Werkzeug eindringt, erhöht die Stromschlaggefahr.

Wartung und Lagerung

1. Schalten Sie das Werkzeug aus, und nehmen Sie den Akku ab, bevor Sie irgendwelche Wartungsarbeiten ausführen.
2. Wenn Sie das Werkzeug zu einem anderen Ort transportieren, auch während der Arbeit, nehmen Sie immer den Akku ab, und setzen Sie die Messerabdeckung auf die Schermesser. Tragen oder transportieren Sie das Werkzeug niemals mit laufenden Messern. Ergreifen Sie die Messer niemals mit Ihren Händen.
3. Reinigen Sie das Werkzeug und insbesondere die Schermesser nach jedem Gebrauch und vor längerer Lagerung des Werkzeugs. Ölen Sie die Messer leicht ein, und bringen Sie die Messerabdeckung an.
4. Lagern Sie das Werkzeug mit angebrachter Messerabdeckung in einem trockenen Raum. Halten Sie sie außer Reichweite von Kindern. Lagern Sie das Werkzeug niemals im Freien.
5. Werfen Sie den (die) Akku(s) nicht ins Feuer. Die Zelle könnte explodieren. Prüfen Sie die örtlichen Vorschriften für mögliche spezielle Entsorgungsanweisungen.

6. Versuchen Sie nicht, den (die) Akku(s) zu öffnen oder zu verstümmeln. Freigesetzter Elektrolyt ist korrosiv und kann Schäden an Augen oder Haut verursachen. Falls er verschluckt wird, kann er giftig sein.
7. Laden Sie den Akku nicht im Regen oder an nassen Orten.

DIESE ANWEISUNGEN AUFBEWAHREN.

WARNUNG:

Lassen Sie sich NICHT durch Bequemlichkeit oder Vertrautheit mit dem Produkt (durch wiederholten Gebrauch erworben) von der strikten Einhaltung der Sicherheitsregeln für das vorliegende Produkt abhalten. MISSBRAUCH oder Missachtung der Sicherheitsvorschriften in dieser Anleitung können schwere Verletzungen verursachen.

Wichtige sicherheitsanweisungen für akku

ENC007-16

1. Lesen Sie vor der Benutzung des Akkus alle Anweisungen und Warnhinweise, die an (1) Ladegerät, (2) Akku und (3) Akkuwerkzeug angebracht sind.
2. Unterlassen Sie Zerlegen oder Manipulieren des Akkus. Es kann sonst zu einem Brand, übermäßiger Hitzeentwicklung oder einer Explosion kommen.
3. Falls die Betriebszeit beträchtlich kürzer geworden ist, stellen Sie den Betrieb sofort ein. Anderenfalls besteht die Gefahr von Überhitzung, möglichen Verbrennungen und sogar einer Explosion.
4. Falls Elektrolyt in Ihre Augen gelangt, waschen Sie sie mit sauberem Wasser aus, und begeben Sie sich unverzüglich in ärztliche Behandlung. Anderenfalls können Sie Ihre Sehkraft verlieren.
5. Der Akku darf nicht kurzgeschlossen werden:
 - (1) Die Kontakte dürfen nicht mit leitfähigem Material berührt werden.
 - (2) Lagern Sie den Akku nicht in einem Behälter zusammen mit anderen Metallgegenständen, wie z. B. Nägel, Münzen usw.
 - (3) Setzen Sie den Akku weder Wasser noch Regen aus.

Ein Kurzschluss des Akkus verursacht starken Stromfluss, der Überhitzung, mögliche Verbrennungen und einen Defekt zur Folge haben kann.
6. Lagern und benutzen Sie das Werkzeug und den Akku nicht an Orten, an denen die Temperatur 50 °C erreichen oder überschreiten kann.
7. Versuchen Sie niemals, den Akku zu verbrennen, selbst wenn er stark beschädigt oder vollkommen verbraucht ist. Der Akku kann im Feuer explodieren.
8. Unterlassen Sie Nageln, Schneiden, Zerquetschen, Werfen, Fallenlassen des Akkus oder Schlagen des Akkus mit einem harten Gegenstand. Eine solche Handlung kann zu einem Brand, übermäßiger Hitzeentwicklung oder einer Explosion führen.

9. **Benutzen Sie keine beschädigten Akkus.**
10. **Die enthaltenen Lithium-Ionen-Akkus unterliegen den Anforderungen der Gefahrgut-Gesetzgebung.**
Für kommerzielle Transporte, z. B. durch Dritte oder Spediteure, müssen besondere Anforderungen zu Verpackung und Etikettierung beachtet werden. Zur Vorbereitung des zu transportierenden Artikels ist eine Beratung durch einen Experten für Gefahrgut erforderlich. Bitte beachten Sie möglicherweise ausführlichere nationale Vorschriften.
Überkleben oder verdecken Sie offene Kontakte, und verpacken Sie den Akku so, dass er sich in der Verpackung nicht umher bewegen kann.
11. **Entfernen Sie den Akku zum Entsorgen vom Werkzeug, und entsorgen Sie ihn an einem sicheren Ort. Befolgen Sie die örtlichen Vorschriften bezüglich der Entsorgung von Akkus.**
12. **Verwenden Sie die Akkus nur mit den von Makita angegebenen Produkten.** Das Einsetzen der Akkus in nicht konforme Produkte kann zu einem Brand, übermäßiger Hitzebildung, einer Explosion oder Auslaufen von Elektrolyt führen.
13. **Soll das Werkzeug längere Zeit nicht benutzt werden, muss der Akku vom Werkzeug entfernt werden.**
14. **Bei und nach dem Gebrauch kann der Akku heiß werden, was Verbrennungen oder Niedertemperaturverbrennungen verursachen kann. Beachten Sie die Handhabung von heißen Akkus.**
15. **Berühren Sie nicht den Anschlusskontakt des Werkzeugs unmittelbar nach dem Gebrauch, da er heiß genug werden kann, um Verbrennungen zu verursachen.**
16. **Achten Sie darauf, dass sich keine Späne, Staub oder Schmutz in den Anschlusskontakten, Löchern und Nuten des Akkus absetzen.** Dies kann zu einer Leistungseinbuße oder Betriebsstörung des Werkzeugs oder des Akkus führen.
17. **Wenn das Werkzeug den Einsatz in der Nähe einer Hochspannungs-Stromleitung nicht unterstützt, benutzen Sie den Akku nicht in der Nähe einer Hochspannungs-Stromleitung.** Dies kann zu einer Funktionsstörung oder Betriebsstörung des Werkzeugs oder des Akkus führen.
18. **Halten Sie die Batterie von Kindern fern.**

DIESE ANWEISUNGEN AUFBEWAHREN.

⚠ ACHTUNG: Verwenden Sie nur Original-Makita-Akkus. Die Verwendung von Nicht-Original-Makita-Akkus oder von Akkus, die abgeändert worden sind, kann zum Bersten des Akkus und daraus resultierenden Bränden, Personenschäden und Beschädigung führen. Außerdem wird dadurch die Makita-Garantie für das Makita-Werkzeug und -Ladegerät ungültig.

Hinweise zur Aufrechterhaltung der maximalen Akku-Nutzungsdauer

1. **Laden Sie den Akku, bevor er vollkommen erschöpft ist. Schalten Sie das Werkzeug stets**

- aus, und laden Sie den Akku, wenn Sie ein Nachlassen der Werkzeugleistung feststellen.**
2. **Unterlassen Sie erneutes Laden eines voll aufgeladenen Akkus. Überladen führt zu einer Verkürzung der Nutzungsdauer des Akkus.**
3. **Laden Sie den Akku bei Raumtemperatur zwischen 10 – 40 °C. Lassen Sie einen heißen Akku abkühlen, bevor Sie ihn laden.**
4. **Wenn Sie den Akku nicht benutzen, nehmen Sie ihn vom Werkzeug oder Ladegerät ab.**
5. **Der Akku muss geladen werden, wenn er lange Zeit (länger als sechs Monate) nicht benutzt wird.**

FUNKTIONSBESCHREIBUNG

⚠ ACHTUNG:

- Schalten Sie das Werkzeug stets aus und entfernen Sie den Akkublock, bevor Sie Einstellungen oder eine Funktionsprüfung des Werkzeugs vornehmen.

Einsetzen und Abnehmen des Akkublocks (Abb. 1)

⚠ ACHTUNG:

- Schalten Sie das Werkzeug stets aus, bevor Sie den Akkublock einsetzen oder abnehmen.
- **Halten Sie das Werkzeug und den Akkublock sicher fest, wenn Sie den Akkublock einsetzen oder herausnehmen.** Andernfalls könnte Ihnen das Werkzeug oder der Akkublock aus den Händen fallen, sodass das Werkzeug oder der Akkublock beschädigt werden oder diese Verletzungen verursachen.

Zum Abnehmen des Akkublocks müssen Sie die Taste auf der Vorderseite des Akkublocks schieben und gleichzeitig den Akkublock aus dem Werkzeug herausziehen.

Zum Einsetzen des Akkublocks müssen Sie die Zunge des Akkublocks an der Rille im Gehäuse ausrichten und in die gewünschte Position schieben. Setzen Sie den Akkublock ganz ein, bis er mit einem Klick einrastet. Wenn Sie den roten Bereich oben auf der Taste sehen können, ist der Akkublock nicht ganz eingerastet.

⚠ ACHTUNG:

- Setzen Sie den Akkublock unbedingt ganz ein, bis der rote Bereich nicht mehr zu sehen ist. Andernfalls kann der Akkublock versehentlich aus dem Werkzeug fallen und Sie oder umstehende Personen verletzen.
- Wenden Sie beim Einsetzen des Akkublocks keine Gewalt an. Wenn der Akkublock nicht leicht hineingleitet, ist er nicht richtig angesetzt.

Akku-Schutzsystem (Lithium-Ionen-Akku ist mit einem Stern gekennzeichnet) (Abb. 2)

Mit einem Stern gekennzeichnete Lithium-Ionen-Akkus verfügen über ein Schutzsystem. Dieses System schaltet die Stromversorgung des Werkzeugs automatisch aus, um die Lebensdauer des Akkus zu verlängern.

Unter folgenden Bedingungen des Werkzeugs und/oder des Akkus kann das Werkzeug während des Betriebs automatisch stoppen:

- Überlastet:

Das Werkzeug wird auf eine Weise betrieben, die zu einer anormal hohen Stromaufnahme führt.

Lassen Sie in dieser Situation den Ein/Aus-Schalter des Werkzeugs los und beenden Sie die Arbeiten, die zu der Überlastung des Werkzeugs geführt haben. Betätigen Sie anschließend den Ein/Aus-Schalter wieder, um das Werkzeug wieder in Betrieb zu nehmen.

Wenn das Werkzeug nicht startet, ist der Akku überhitzt. Lassen Sie in dieser Situation den Akku erst abkühlen, bevor Sie wieder den Ein/Aus-Schalter betätigen.

- Spannung des Akkus zu niedrig:
Die noch vorhandene Akkuladung ist zu niedrig, und das Werkzeug startet nicht. Entnehmen Sie in dieser Situation den Akku und laden Sie den Akku wieder auf.

Schalterbetätigung ist unwichtig, da das Gerät nur startet, wenn beide Schalter betätigt werden.

Anzeige (Abb. 5)

Bei eingeschaltetem Werkzeug zeigt die Anzeige den Ladezustand des Akkublocks an.









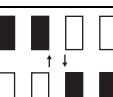
Wenn das Werkzeug überlastet wurde und während des Betriebs ausgeschaltet hat, leuchtet die Anzeige rot.

Die verschiedenen Anzeigen und die entsprechenden Vorgehensweisen finden Sie in der folgenden Tabelle:

Anzeigen der Restladung des Akkus

(Nur für Akkublöcke mit einem „B“ am Ende der Modellnummer.) (Abb. 3)

Drücken Sie zum Anzeigen der Restladung des Akkus die Akkuprüftaste. Die Anzeigelampen leuchten dann wenige Sekunden lang auf.

Anzeigelampen			Verbleibende Akkuladung
 Leuchtet	 Aus	 Blinkt	
			75% bis 100%
			50% bis 75%
			25% bis 50%
			0% bis 25%
			Laden Sie den Akku auf.
			Möglicherweise liegt ein Defekt des Akkus vor.

015658

HINWEIS:

- In Abhängigkeit von den Bedingungen bei Gebrauch und von der Umgebungstemperatur kann der angezeigte Ladezustand geringfügig vom tatsächlichen Ladezustand abweichen.

Einschalten

ACHTUNG:

- Achten Sie vor dem Einsetzen des Akkublocks in das Werkzeug darauf, dass sich der Ein/Aus-Schalter korrekt bedienen lässt und beim Loslassen in die Position „OFF“ (AUS) zurückkehrt. (Abb. 4)

Zu Ihrer Sicherheit ist das Werkzeug mit einem Zweifach-Schaltersystem ausgestattet. Zum Einschalten des Werkzeugs drücken Sie die Arretiertaste und die Auslöser A und B. Lassen Sie zum Ausschalten einen der zwei gedrückten Auslöser los. Die Reihenfolge der

Anzeige	Status	Auszuführende Maßnahme
Die Anzeige blinkt rot.	Dies bedeutet, dass der Akkublock nahezu entladen ist und ausgetauscht werden muss.	Laden Sie den Akkublock möglichst bald auf.
Die Anzeige leuchtet rot. (Hinweis 1)	Dies bedeutet, dass der Akkublock leer ist. Das Werkzeug wird dann sofort ausgeschaltet.	Laden Sie den Akkublock auf.
Die Anzeige leuchtet rot. (Hinweis 1)	Automatisches Ausschalten wegen Überlastung	Schalten Sie das Werkzeug aus.

Hinweis 1: Bei welchem Ladezustand die Anzeige aufleuchtet, ist von der Temperatur am Arbeitsort und vom Zustand des Akkublocks abhängig.

010970

BETRIEB

⚠️ ACHTUNG:

- Achten Sie darauf, dass Sie während des Schneidens nicht versehentlich mit einem metallischen Anschlag oder anderen harten Gegenständen in Berührung kommen. Das Schneidmesser kann brechen und schwere Verletzungen verursachen.
- Das weite Hinauslehnen mit einer Heckenschere, vor allem von einer Leiter aus, ist äußerst gefährlich. Arbeiten Sie niemals von einem wackligen oder unsichern Standort aus.

HINWEIS:

Schneiden Sie mit diesem Werkzeug keine Äste mit einem Durchmesser von mehr als 10 mm. Vor Verwendung des Werkzeugs sind Äste mittels Astscheren derart zuzuschneiden, dass sie nun 10 cm unterhalb der Schneidhöhe liegen. (Abb. 6)

⚠️ ACHTUNG:

- Schneiden Sie keine toten Äste oder ähnliche harte Gegenstände ab. Anderenfalls kann das Werkzeug beschädigt werden. (Abb. 7)

Halten Sie die Heckenschere mit beiden Händen und betätigen Sie den Schalter A oder B. Bewegen Sie anschließend die Heckenschere vor Ihrem Körper. (Abb. 8)

Neigen Sie die Schneidmesser in Richtung der Schneidrichtung und bewegen Sie die Heckenschere ruhig und langsam mit einer Geschwindigkeit von 3 bis 4 Sekunden pro Meter. (Abb. 9)

Zum geraden Schneiden einer Heckenoberkante können Sie eine Schnur in der gewünschten Heckenhöhe spannen und diese beim Schneiden als Referenzlinie verwenden. (Abb. 10)

Befestigen Sie beim Schneiden der Heckengerade die Spanaufnahme (Sonderzubehör) am Werkzeug, um ein Umherfliegen der Blätter zu vermeiden. (Abb. 11)

Zum gleichmäßigen Schneiden der Heckenseite schneiden Sie diese von unten nach oben. (Abb. 12) Schneiden Sie Buchsbaum oder Rhododendron für ein hübsches Aussehen und einen guten Schnitt von der Basis zur Spitze.

Montage und Demontage der Spanaufnahme (Sonderzubehör)

⚠️ ACHTUNG:

- Schalten Sie das Werkzeug aus und ziehen Sie den Stecker, bevor Sie die Spanaufnahme einsetzen oder entfernen.

HINWEIS:

- Tragen Sie beim Austauschen der Spanaufnahme immer Arbeitshandschuhe, sodass Sie das Schneidmesser nicht direkt mit den Händen berühren. Anderenfalls kann es zu Verletzungen kommen.
- Achten Sie vor dem Einsetzen der Spanaufnahme darauf, dass Sie die Schneidblattabdeckung entfernt haben.
- Die Spanaufnahme fängt die abgeschnittenen Blätter auf und erleichtert das Aufsammeln der abgefallenen Blätter. Dies kann an jeder Seite des Werkzeugs erfolgen. (Abb. 13)

Drücken Sie die Spanaufnahme auf die Schneidblätter, sodass die Schlitzte die Muttern auf den Schneidblättern überdecken. (Abb. 14)

Zu diesem Zeitpunkt müssen Sie die Spanaufnahme anbringen, damit die Haken in die Kerben im Schneidblatt passen. (Abb. 15)

Zum Entfernen der Spanaufnahme drücken Sie den Hebel an beiden Seiten, sodass die Haken freigegeben werden.

⚠️ ACHTUNG:

- Die Schneidblattabdeckung (Standardausrüstung) kann bei angebrachter Spanaufnahme nicht montiert werden. Entfernen Sie vor dem Transport oder der Lagerung die Spanaufnahme und bringen Sie die Schneidblattabdeckung an, um ein Freiliegen des Blattes zu vermeiden.

HINWEIS:

- Prüfen Sie vor der Verwendung die sichere Installation der Spanaufnahme.
- Wenden Sie beim Entfernen der Spanaufnahme keine übermäßigen Kräfte an, wenn die Haken in den Blattkerben eingerastet sind. Die Anwendung übermäßiger Kräfte kann zu Beschädigungen führen.

WARTUNG

⚠️ ACHTUNG:

- Schalten Sie das Werkzeug stets aus und ziehen Sie den Akkublock ab, bevor Sie Inspektionen oder Wartungsarbeiten am Werkzeug vornehmen.

Reinigen des Werkzeugs

Reinigen Sie das Werkzeug, indem Sie den Staub mit einem trockenen oder in Seifenlösung getunkten Lappen abwischen.

ACHTUNG:

- Verwenden Sie zum Reinigen niemals Kraftstoffe, Benzin, Verdünnern, Alkohol oder ähnliches. Dies kann zu Verfärbungen, Verformungen oder Rissen führen.

Wartung des Sägeblatts

Schmieren Sie das Blatt vor dem Betrieb und nach jeder Betriebsstunde mit Maschinenöl oder ähnlichem.

HINWEIS:

- Nehmen Sie vor dem Schmieren des Messers die Spanaufnahme ab.

Entfernen Sie nach dem Betrieb den Staub von beiden Seiten des Blattes mit einer Drahtbürste, wischen Sie den Staub mit einem Lappen ab und tragen Sie anschließend dünnflüssiges Öl, z.B. Maschinenöl usw., oder Sprühschmieröl auf.

ACHTUNG:

- Waschen Sie die Blätter nicht mit Wasser ab. Anderenfalls können die Messer rosten und das Werkzeug kann beschädigt werden.

Montage und Demontage des Schneidblatts

ACHTUNG:

- Schalten Sie das Werkzeug aus und ziehen Sie den Akkublock ab, bevor Sie das Schneidblatt an- oder abbauen.
- Tragen Sie beim Austauschen des Schneidblattes immer Arbeitshandschuhe und entfernen Sie die Blattabdeckung nicht, sodass Sie das Schneidblatt nicht direkt mit den Händen berühren. Anderenfalls kann es zu Verletzungen kommen.

HINWEIS:

- Wischen Sie vom Zahnrad und von der Kurbelwelle keine Schmiere ab. Zuwiderhandlungen können das Werkzeug beschädigen.

Entfernen der Schneidblätter (Abb. 16)

Drehen Sie das Werkzeug um, lösen Sie die vier Schrauben und nehmen Sie die untere Abdeckung ab.

HINWEIS:

- Achten Sie darauf, dass Sie sich Ihre Hände nicht beschmieren, denn im Antriebsbereich des Schneidblattes wurde Schmiermittel aufgetragen.

(Abb. 17)

Lösen Sie die vier Schrauben, und nehmen Sie die Schneidblätter ab. Nehmen Sie die Unterlegscheibe und den Schaumstoff von den Schneidblättern ab und legen Sie dies beiseite. Dies wird für den späteren Einbau benötigt. **(Abb. 18)**

Falls die Hülsen in den Löchern im Zahnrad verbleiben, entfernen Sie das Zahnrad und drücken Sie die Hülsen mit einem Schraubendreher oder ähnlichem heraus.

HINWEIS:

Die Unterlegscheibe unter dem Zahnrad kommt möglicherweise beim Entnehmen des Zahnrads mit

heraus. Setzen Sie sie wieder in die ursprüngliche Position ein.

Einbauen des Schneidblatts (Abb. 19)

Nehmen Sie die Blattabdeckung von den alten Schneidblättern ab und passen Sie diese auf die neuen an, um einen Kontakt mit den Blättern zu vermeiden.

(Abb. 20)

Passen Sie die Lochpositionen durch Drehen des Zahnrads an. **(Abb. 21 und 22)**

Tragen Sie etwas Schmiermittel auf die neuen Schneidblätter auf. **(Abb. 23)**

Setzen Sie den entfernten Schaumstoff in die gleiche Position wie vorher ein. Stellen Sie sicher, dass die mit den neuen Schneidblättern gelieferten Hülsen auf die Stifte am Schneidblatt aufgesetzt sind. Platzieren Sie die neuen Schneidblätter so auf dem Werkzeug, dass die Stifte in die Löcher am Zahnrad passen. Falls die Hülsen auf den Stiften versehentlich entfernt wurden, setzen Sie diese vorher wieder in die Löcher im Zahnrad ein.

(Abb. 24)

Befestigen Sie das Schneidblatt und ziehen Sie die vier Schrauben fest. Setzen Sie die entfernte Unterlegscheibe wieder in die gleiche Position wie die alte ein. **(Abb. 25)** Befestigen Sie die untere Abdeckung am Werkzeug und ziehen Sie die vier Schrauben fest.

Aufbewahrung

Zum Aufhängen des Werkzeugs an einem Nagel oder einer Schraube in der Wand ist der Hakendurchbruch im unteren Bereich der Messerabdeckung praktisch.

(Abb. 26)

Nehmen Sie den Akkublock heraus und bringen Sie die Messerabdeckung auf den Schneidblättern an, damit die Messer nicht frei liegen. Bewahren Sie das Werkzeug außerhalb der Reichweite von Kindern auf. Bewahren Sie das Werkzeug an einem Platz auf, an dem es weder Wasser noch Regen ausgesetzt ist.

Zur Gewährleistung von SICHERHEIT und ZUVERLÄSSIGKEIT des Produkts sollten Reparaturen, Wartungsarbeiten und Einstellungen nur durch von Makita autorisierte Servicecenter durchgeführt und ausschließlich Makita-Ersatzteile verwendet werden.

SONDERZUBEHÖR

ACHTUNG:

- Für das in diesem Handbuch beschriebene Makita-Gerät werden die folgenden Zubehör- und Zusatzteile empfohlen. Bei Verwendung anderer Zubehör- und Zusatzteile kann es zu Verletzungen kommen. Verwenden Sie Zubehör- und Zusatzteile nur für den vorgesehenen Zweck.

Informationen zu diesem Zubehör erhalten Sie von Ihrem Makita-Servicecenter.

- Schneidschwertschutz
- Schneidblatt-Baugruppe
- Originalakku und Ladegerät von Makita
- Spanaufnehmer

HINWEIS:

- Einige der in der Liste aufgeführten Elemente sind dem Werkzeugpaket als Standardzubehör beigelegt. Diese können in den einzelnen Ländern voneinander abweichen.

Schallpegel

ENG905-1

Typischer A-bewerteter Schallpegel nach EN62841-4-2:

Modell DUH483

Schalldruckpegel (L_{pA}): 73 dB (A)

Abweichung (K): 3,9 dB (A)

Unter Arbeitsbedingungen kann der Schalldruck 80 dB (A) überschreiten.

Modell DUH523

Schalldruckpegel (L_{pA}): 73 dB (A)

Abweichung (K): 4,3 dB (A)

Unter Arbeitsbedingungen kann der Schalldruck 80 dB (A) überschreiten.

ENG907-1

- Der (Die) angegebene(n) Schallemissionswert(e) wurde(n) im Einklang mit der Standardprüfmethode gemessen und kann (können) für den Vergleich zwischen Werkzeugen herangezogen werden.
- Der (Die) angegebene(n) Schallemissionswert(e) kann (können) auch für eine Vorbewertung des Gefährdungsgrads verwendet werden.

WARNUNG:

- **Einen Gehörschutz tragen.**
- **Die Schallemission während der tatsächlichen Benutzung des Elektrowerkzeugs kann je nach der Benutzungsweise des Werkzeugs, und speziell je nach der Art des bearbeiteten Werkstücks, von dem (den) angegebenen Wert(en) abweichen.**
- **Identifizieren Sie Sicherheitsmaßnahmen zum Schutz des Benutzers anhand einer Schätzung des Gefährdungsgrads unter den tatsächlichen Benutzungsbedingungen (unter Berücksichtigung aller Phasen des Arbeitszyklus, wie z. B. Ausschalt- und Leerlaufzeiten des Werkzeugs zusätzlich zur Betriebszeit).**

Schwingung

ENG900-1

Schwingungsgesamtwerte (Vektorsumme dreier Achsen) nach EN62841-4-2:

Schwingungsbelastung (a_h): 2,5 m/s² oder weniger

Abweichung (K): 1,5 m/s²

ENG901-2

- Der (Die) angegebene(n) Vibrationsgesamtwert(e) wurde(n) im Einklang mit der Standardprüfmethode gemessen und kann (können) für den Vergleich zwischen Werkzeugen herangezogen werden.
- Der (Die) angegebene(n) Vibrationsgesamtwert(e) kann (können) auch für eine Vorbewertung des Gefährdungsgrads verwendet werden.

WARNUNG:

- **Die Vibrationsemission während der tatsächlichen Benutzung des Elektrowerkzeugs kann je nach der Benutzungsweise des Werkzeugs, und speziell je nach der Art des bearbeiteten Werkstücks, von dem (den) angegebenen Emissionswert(en) abweichen.**
- **Identifizieren Sie Sicherheitsmaßnahmen zum Schutz des Benutzers anhand einer Schätzung des Gefährdungsgrads unter den tatsächlichen Benutzungsbedingungen (unter Berücksichtigung aller Phasen des Arbeitszyklus, wie z. B.**

Ausschalt- und Leerlaufzeiten des Werkzeugs zusätzlich zur Betriebszeit).

EG-Konformitätserklärung

Nur für europäische Länder

Die EG-Konformitätserklärung liegt dieser Betriebsanleitung als Anhang A bei.

ITALIANO (Istruzioni originali)

Spiegazione della vista generale

- | | | |
|---------------------------------|--|-------------------------|
| 1. Indicatore rosso | 13. Direzione di potatura | 25. Sbloccare i ganci |
| 2. Pulsante | 14. Superficie della siepe da potare | 26. Viti |
| 3. Batteria | 15. Inclinare le lame | 27. Coperchio inferiore |
| 4. Contrassegno a stella | 16. Spago | 28. Spugna |
| 5. Spie luminose | 17. Premere | 29. Rondella |
| 6. Pulsante di controllo | 18. Raccogliitore di residui | 30. Ingranaggio |
| 7. Interruttore di accensione A | 19. Dado | 31. Manicotti |
| 8. Interruttore di accensione B | 20. Lama da taglio | 32. Scanalatura |
| 9. Sicura di accensione | 21. Ganci | 33. Coprilama |
| 10. Spia luminosa | 22. Inserire i ganci nelle fessure | 34. Grasso |
| 11. Altezza di taglio | 23. Fessure | 35. Lama |
| 12. 10 cm | 24. Premere le leve su entrambi i lati | |

CARATTERISTICHE TECNICHE

Modello	DUH483	DUH523
Lunghezza lama	480 mm	520 mm
Colpi al minuto (min ⁻¹)	1.350	
Tensione nominale	18 V CC	
Lunghezza totale (In base alla batteria)	873 - 888 mm	923 - 938 mm
Peso netto	3,0 - 3,3 kg	3,0 - 3,4 kg

- Le caratteristiche tecniche riportate di seguito sono soggette a modifiche senza preavviso in virtù del nostro programma continuo di ricerca e sviluppo.
- Le caratteristiche tecniche possono differire da paese a paese.
- Il peso può variare in base agli accessori in uso, compresa la batteria. Le combinazioni più leggere e pesanti, in conformità alla procedura EPTA 01/2014, sono mostrate nella tabella.

Batteria e caricabatteria applicabili

Batteria	BL1815N/BL1820B/BL1830B/BL1840B/BL1850B/BL1860B
Caricatore	DC18RC/DC18RD/DC18RE/DC18SD/DC18SE/DC18SF/DC18SH

- Alcune delle batterie e dei caricabatterie elencati sopra potrebbero non essere disponibili a seconda della vostra regione di residenza.

ATTENZIONE:

- **Utilizzare solo le batterie e i caricabatterie elencati sopra.** L'uso di batterie e caricabatterie diversi può far sorgere il rischio di infortuni e/o incendi.

Alimentatore a batterie consigliato

Adattatore per batterie	PDC01
-------------------------	-------

- L'alimentatore o gli alimentatori a batterie elencati sopra potrebbero non essere disponibili, a seconda della propria area geografica di residenza.
- Prima di utilizzare l'alimentatore a batterie, leggere le istruzioni e le indicazioni delle avvertenze riportate sull'alimentatore a batterie.

Simboli

END013-6

Di seguito sono riportati i simboli utilizzati per l'apparecchio. È importante comprenderne il significato prima dell'uso.



..... Indossare una protezione per gli occhi.



..... PERICOLO: tenere le mani lontane dalla lama.



..... Solo per Paesi UE

Non gettare le apparecchiature elettriche o le batterie tra i rifiuti domestici.



..... Leggere il manuale di istruzioni.



..... Evitare l'esposizione all'umidità.

Secondo le Direttive Europee sui rifiuti di apparecchiature elettriche ed elettroniche, su batterie e accumulatori e sui rifiuti di batterie e di accumulatori, e la sua attuazione in conformità alle norme nazionali, le apparecchiature elettriche e le batterie esauste devono essere raccolte separatamente, al fine di essere riciclate in modo eco-compatibile.

Uso previsto

ENE014-1

L'utensile è progettato per la potatura delle siepi.

Avvertenze generali relative alla sicurezza dell'utensile elettrico

GEA010-2

⚠ AVVERTENZA: Leggere tutte le avvertenze di sicurezza, le istruzioni, le illustrazioni e i dati tecnici forniti con il presente utensile elettrico. La mancata osservanza di tutte le istruzioni elencate di seguito potrebbe risultare in scosse elettriche, incendi e/o gravi lesioni personali.

Conservare tutte le avvertenze e le istruzioni come riferimento futuro.

Il termine "utensile elettrico" nelle avvertenze si riferisce sia all'utensile elettrico (cablato) nel funzionamento alimentato da rete elettrica che all'utensile elettrico (a batteria) nel funzionamento alimentato a batteria.

Avvertenze di sicurezza relative al tagliasepi a batteria

GEB215-2

- Tenere tutte le parti del corpo lontane dalla lama. Non rimuovere il materiale tagliato né tenere in mano il materiale da tagliare quando le lame sono in movimento.** Le lame continuano a muoversi dopo la disattivazione dell'interruttore. Un momento di disattenzione durante il funzionamento del tagliasepi potrebbe risultare in gravi lesioni personali.
- Trasportare il tagliasepi tenendolo per il manico con la lama arrestata e facendo attenzione a non azionare alcun interruttore di accensione.** Se si trasporta correttamente il tagliasepi, si riduce la possibilità di avvii accidentali e delle conseguenti lesioni personali dovute alle lame.
- Quando si intende trasportare o riporre il tagliasepi, applicare sempre il coprilama.** Se si maneggia correttamente il tagliasepi, si riduce la possibilità di lesioni personali dovute alle lame.
- Quando si intende rimuovere materiale inceppato o sottoporre a interventi di assistenza l'unità, accertarsi che tutti gli interruttori di accensione siano disattivati e che la cartuccia della batteria sia stata rimossa o scollegata.** L'azionamento imprevisto del tagliasepi durante la rimozione di

materiale inceppato o l'esecuzione di interventi di assistenza potrebbe risultare in gravi lesioni personali.

- Mantenere il tagliasepi solo mediante le superfici di impugnatura isolate, poiché la lama potrebbe entrare in contatto con cablaggi nascosti.** Qualora le lame entrino in contatto con un filo elettrico sotto tensione, potrebbero mettere sotto tensione le parti metalliche esposte del tagliasepi e dare una scossa elettrica all'operatore.
- Tenere tutti i cavi elettrici e di altro genere lontani dall'area di taglio.** Nelle siepi o nei cespugli potrebbero essere nascosti cavi elettrici o di altro genere, che potrebbero venire tagliati accidentalmente dalla lama.
- Evitare di utilizzare il tagliasepi in condizioni meteorologiche avverse, specialmente quando sussiste il rischio di fulmini.** In tal modo si riduce il rischio di venire colpiti da un fulmine.

Istruzioni di sicurezza agiuntive

Preparazione

- Prima di utilizzare l'utensile, verificare l'eventuale presenza di corpi estranei nelle siepi e nei cespugli, ad esempio recinzioni in fil di ferro o cablaggi nascosti.**
- L'utensile non deve essere utilizzato da bambini o giovani al di sotto dei 18 anni di età.** I giovani di età superiore ai 16 anni possono venire esentati da questa restrizione se stanno seguendo un addestramento sotto la supervisione di un esperto.
- Chi utilizza il prodotto per la prima volta dovrebbe farsi mostrare da un utente esperto come utilizzare l'utensile.**
- Utilizzare l'utensile solo se si è in buone condizioni fisiche.** In condizioni di stanchezza, il livello di attenzione si riduce. Fare particolarmente attenzione alla fine di una giornata di lavoro. Effettuare tutti i lavori con calma e con attenzione. L'utente è responsabile per qualsiasi danno arrecato a terzi.
- Non utilizzare mai l'utensile se si è sotto l'effetto di alcol, droghe o farmaci.**
- I guanti da lavoro in pelle robusta fanno parte dell'equipaggiamento di base dell'utensile, e devono essere sempre indossati quando si lavora con quest'ultimo. Indossare anche scarpe robuste con soles antiscivolo.**
- Prima di iniziare il lavoro, accertarsi che l'utensile sia in condizioni operative ottimali e sicure. Accertarsi che le protezioni siano applicate correttamente. L'utensile non va utilizzato se non è stato montato completamente.**

Funzionamento

- Mantenere saldamente l'utensile con entrambe le mani, quando lo si utilizza.**
- L'utensile è destinato a essere utilizzato dall'operatore al livello del suolo. Non utilizzare l'utensile su scale a pioli o altri supporti instabili di alcun genere.**
- PERICOLO - Tenere le mani lontane dalla lama.** Il contatto con la lama causa gravi lesioni personali.
- Non utilizzare l'utensile sotto la pioggia o in condizioni di bagnato o di estrema umidità.** Il motore elettrico non è impermeabile.

5. Accertarsi di avere un equilibrio saldo sui piedi, prima di iniziare l'operazione.
6. Non far funzionare l'utensile a vuoto inutilmente.
7. Qualora la lama a cesoie entri in contatto con una recinzione o un altro oggetto duro, spegnere immediatamente l'utensile e rimuovere la cartuccia della batteria. Controllare le lame alla ricerca di eventuali danni e sostituirle immediatamente, qualora siano danneggiate.
8. Prima di controllare le lame a cesoie, riparare guasti o rimuovere materiale incastrato nelle lame a cesoie, spegnere sempre l'utensile e rimuovere la cartuccia della batteria.
9. Non puntare mai le lame a cesoie verso se stessi o altri.
10. Qualora le lame smettano di muoversi a causa di corpi estranei incastrati tra le lame durante l'uso, spegnere l'utensile e rimuovere la cartuccia della batteria, quindi rimuovere i corpi estranei utilizzando degli utensili, ad esempio delle pinze. La rimozione dei corpi estranei con le mani potrebbe causare lesioni personali, in quanto le lame potrebbero muoversi in risposta alla rimozione dei corpi estranei.
11. Evitare gli ambienti pericolosi. Non utilizzare l'utensile in luoghi umidi o bagnati né esporlo alla pioggia. La penetrazione di acqua nell'utensile incrementa il rischio di scosse elettriche.

Manutenzione e conservazione

1. Spegner l'utensile e rimuovere la cartuccia della batteria prima di effettuare qualsiasi lavoro di manutenzione.
2. Quando si intende spostare l'utensile in un'altra ubicazione, anche durante il lavoro, rimuovere sempre la cartuccia della batteria e applicare il coprilama sulle lame a cesoie. Non portare né trasportare mai l'utensile con le lame in funzione. Non afferrare mai le lame con le mani.
3. Pulire l'utensile e particolarmente le lame a cesoie dopo l'uso, e prima di riporre l'utensile per periodi di tempo prolungati. Oliare leggermente le lame e applicare il coprilama.
4. Riporre l'utensile con il coprilama applicato, in una stanza asciutta. Tenerlo fuori dalla portata dei bambini. Non riporre mai l'utensile all'aperto.
5. Non smaltire le batterie nel fuoco. La cella potrebbe esplodere. Controllare le normative locali per eventuali istruzioni speciali relative allo smaltimento.
6. Non aprire né fare a pezzi le batterie. L'elettrolita rilasciato è corrosivo, e potrebbe causare danni agli occhi o alla pelle. Inoltre, potrebbe essere tossico, se inghiottito.
7. Non caricare la batteria sotto la pioggia o in condizioni di bagnato.

CONSERVARE LE PRESENTI ISTRUZIONI.

AVVERTIMENTO:

NON lasciare che la comodità o la familiarità d'uso con il prodotto (acquisita con l'uso ripetuto) sostituiscono la stretta osservanza delle norme di sicurezza. L'USO IMPROPRIO o la mancata

osservanza delle norme di sicurezza riportate nel presente manuale manuale di istruzioni potrebbero causare lesioni personali gravi.

Istruzioni di sicurezza importanti per la cartuccia della batteria

ENC007-16

1. Prima di utilizzare la cartuccia della batteria, leggere tutte le istruzioni e le avvertenze riportate (1) sul caricabatteria, (2) sulla batteria e (3) sul prodotto che utilizza la batteria.
2. Non smantellare né manomettere la cartuccia della batteria. In caso contrario, si potrebbe causare un incendio, calore eccessivo o un'esplosione.
3. Qualora il tempo di utilizzo si riduca eccessivamente, interrompere immediatamente l'utilizzo dell'utensile. In caso contrario, si può incorrere nel rischio di surriscaldamento, possibili ustioni e persino un'esplosione.
4. Qualora l'elettrolita entri in contatto con gli occhi, sciacquarli con acqua pulita e richiedere immediatamente assistenza medica. Questa eventualità può risultare nella perdita della vista.
5. Non cortocircuitare la cartuccia della batteria:
 - (1) Non toccare i terminali con alcun materiale conduttivo.
 - (2) Evitare di conservare la cartuccia della batteria in un contenitore insieme ad altri oggetti metallici quali chiodi, monete, e così via.
 - (3) Non esporre la cartuccia della batteria all'acqua o alla pioggia.

Un cortocircuito della batteria può causare un grande flusso di corrente, un surriscaldamento, possibili ustioni e persino un guasto.
6. Non conservare e utilizzare l'utensile e la cartuccia della batteria in ubicazioni in cui la temperatura possa raggiungere o superare i 50°C.
7. Non incenerire la cartuccia della batteria anche qualora sia gravemente danneggiata o completamente esaurita. La cartuccia della batteria può esplodere se a contatto con il fuoco.
8. Non inchiodare, tagliare, schiacciare, lanciare o far cadere la cartuccia della batteria, né farla urtare con forza contro un oggetto duro. Questi comportamenti potrebbero risultare in un incendio, calore eccessivo o un'esplosione.
9. Non utilizzare una batteria danneggiata.
10. Le batterie a ioni di litio contenute sono soggette ai requisiti del regolamento sul trasporto di merci pericolose (Dangerous Goods Legislation).

Per trasporti commerciali, ad esempio da parte di terzi o spedizionieri, è necessario osservare dei requisiti speciali sull'imballaggio e sull'etichetta.

Per la preparazione dell'articolo da spedire, è richiesta la consulenza di un esperto in materiali pericolosi. Attenersi anche alle normative nazionali, che potrebbero essere più dettagliate.

Nastrare o coprire i contatti aperti e imballare la batteria in modo tale che non si possa muovere liberamente all'interno dell'imballaggio.

11. **Quando si intende smaltire la cartuccia della batteria, rimuoverla dall'utensile e smaltirla in un luogo sicuro. Attenersi alle normative locali relative allo smaltimento della batteria.**
12. **Utilizzare le batterie esclusivamente con i prodotti specificati da Makita.** L'installazione delle batterie in prodotti non compatibili potrebbe risultare in incendi, calore eccessivo, esplosioni o perdite di liquido elettrolitico.
13. **Se l'utensile non viene utilizzato per un periodo di tempo prolungato, la batteria deve essere rimossa dall'utensile.**
14. **Durante e dopo l'uso, la cartuccia della batteria potrebbe assorbire calore, che può causare ustioni o ustioni a bassa temperatura. Fare attenzione a come si maneggiano le cartucce delle batterie estremamente calde.**
15. **Non toccare i terminali dell'utensile subito dopo l'uso, in quanto potrebbero diventare estremamente caldi al punto da causare ustioni.**
16. **Evitare di far incastrare schegge, polveri o terreno nei terminali, nei fori e nelle scanalature della cartuccia della batteria.** In caso contrario, si potrebbero causare prestazioni scadenti o la rottura dell'utensile o della cartuccia della batteria.
17. **A meno che l'utensile supporti l'uso in prossimità di linee elettriche ad alta tensione, non utilizzare la cartuccia della batteria in prossimità di linee elettriche ad alta tensione.** In caso contrario, si potrebbe causare un malfunzionamento o la rottura dell'utensile o della cartuccia della batteria.
18. **Tenere la batteria lontana dai bambini.**

CONSERVARE LE PRESENTI ISTRUZIONI.

⚠ ATTENZIONE: Utilizzare solo batterie originali Makita. L'utilizzo di batterie Makita non originali, o di batterie che siano state alterate, potrebbe risultare nello scoppio della batteria, causando incendi, lesioni personali e danni. Inoltre, ciò potrebbe invalidare la garanzia Makita per l'utensile e il caricabatterie Makita.

Suggerimenti per preservare la durata massima della batteria

1. **Caricare la cartuccia della batteria prima che si scarichi completamente. Smettere sempre di utilizzare l'utensile e caricare la cartuccia della batteria quando si nota che la potenza dell'utensile è diminuita.**
2. **Non ricaricare mai una cartuccia della batteria completamente carica. La sovraccarica riduce la vita utile della batteria.**
3. **Caricare la cartuccia della batteria a una temperatura ambiente compresa tra 10°C e 40°C. Lasciar raffreddare una cartuccia della batteria prima di caricarla.**
4. **Quando non si utilizza la cartuccia della batteria, rimuoverla dall'utensile o dal caricabatterie.**
5. **Caricare la cartuccia della batteria se non la si è utilizzata per un periodo di tempo prolungato (più di sei mesi).**

DESCRIZIONE FUNZIONALE

⚠ ATTENZIONE:

- Prima di regolare o controllare le funzioni dell'utensile, verificare sempre di averlo spento e di aver rimosso la batteria.

Installazione o rimozione della batteria (Fig. 1)

⚠ ATTENZIONE:

- Prima di inserire o rimuovere la batteria, spegnere sempre l'utensile.
- **Durante l'inserimento o la rimozione della batteria, tenere saldamente l'utensile e la batteria stessa.** In caso contrario potrebbero scivolare dalle mani, con conseguenti danni all'utensile, alla batteria e alla persona.

Per rimuovere la batteria è sufficiente estrarla dall'utensile facendo scorrere il pulsante sulla parte anteriore della batteria.

Per inserire la batteria, allineare la linguetta della batteria con la scanalatura nell'alloggiamento e farla scorrere in posizione. Inserire a fondo la batteria fino a bloccarla in posizione con uno scatto. Se è visibile l'indicatore rosso sul lato superiore del pulsante, significa che la batteria non è completamente inserita.

⚠ ATTENZIONE:

- Inserire a fondo la batteria fino alla scomparsa dell'indicatore rosso. In caso contrario la batteria potrebbe fuoriuscire accidentalmente dall'utensile, provocando danni all'operatore o a eventuali osservatori.
- Non forzare l'inserimento della batteria. Se la batteria non scorre agevolmente, significa che la manovra di inserimento non è corretta.

Sistema di protezione della batteria (batteria agli ioni di litio con contrassegno a stella) (Fig. 2)

Le batterie agli ioni di litio con contrassegno a stella sono dotate di una sistema di protezione. Questo sistema interrompe automaticamente l'alimentazione dell'utensile per prolungare la durata della batteria.

L'utensile viene spento automaticamente durante l'uso se l'utensile stesso e/o la batteria vengono utilizzati in una delle condizioni riportate di seguito:

• Sovraccarico:

La modalità d'uso dell'utensile provoca un assorbimento anomalo di corrente.

In questa situazione occorre rilasciare l'interruttore di accensione dell'utensile e interrompere l'operazione che ne ha provocato il sovraccarico. Azionare di nuovo l'interruttore di accensione per riavviare l'utensile.

In caso di mancato avvio dell'utensile, si è verificato un surriscaldamento della batteria. In questa situazione occorre far raffreddare la batteria prima di azionare nuovamente l'interruttore di accensione.

• Bassa tensione della batteria:

La capacità residua della batteria è troppo bassa e non consente di utilizzare l'utensile. In questo caso occorre rimuovere e ricaricare la batteria.

Indicazione della capacità residua della batteria

(Solo per batterie il cui codice modello termina con "B").

(Fig. 3)

Premere il pulsante di controllo sulla batteria per visualizzare la capacità residua della batteria. Le spie luminose si illuminano per qualche secondo.

Spie luminose			Capacità residua
Accesa	Spenta	Lampeggiante	
■	□	◐	
■ ■ ■ ■			Dal 75% al 100%
■ ■ ■ □			Dal 50% al 75%
■ ■ □ □			Dal 25% al 50%
■ □ □ □			Dal 0% al 25%
◐ □ □ □			Caricare la batteria.
■ ■ □ □ ↑ ↓ □ □ ■ ■			Probabile malfunzionamento della batteria.

015658

NOTA:

- Il valore indicato potrebbe variare leggermente dalla capacità effettiva in base alle condizioni di utilizzo e alla temperatura ambientale.

Azionamento dell'interruttore

⚠ ATTENZIONE:

- Prima di inserire la batteria nell'utensile, controllare se l'interruttore funziona correttamente e ritorna in posizione "OFF" una volta rilasciato. **(Fig. 4)**

Per maggiore sicurezza, questo utensile è dotato di un doppio sistema di interruttori. Per accendere l'utensile, premere la sicura di accensione ed entrambi gli interruttori A e B. Per spegnere, rilasciare uno dei due interruttori. La sequenza con cui si premono gli interruttori non è significativa, poiché l'utensile si accende solo in caso di attivazione simultanea dei due interruttori.

Spia luminosa (Fig. 5)

Quando l'utensile è in funzione, la spia luminosa indica la capacità residua della batteria.

Se l'utensile ha smesso di funzionare a causa di un sovraccarico, la spia si illumina in rosso.

Fare riferimento alla seguente tabella per le informazioni di stato e le azioni da compiere a seconda della spia luminosa.

Spia luminosa	Stato	Azione da compiere
La spia lampeggia in rosso.	È il momento adatto per sostituire la batteria (carica ridotta).	Ricaricare la batteria il più presto possibile.
La spia si illumina in rosso. (Nota 1)	Questa funzione si attiva quando la batteria è quasi scarica. In questa situazione l'utensile si spegne immediatamente.	Ricaricare la batteria.
La spia si illumina in rosso. (Nota 1)	Spegnimento automatico dovuto a sovraccarico.	Spegnere l'utensile.

Nota 1: Il momento di accensione della spia luminosa dipende dalla temperatura nell'area di lavoro e dalle condizioni della batteria.

010970

DURANTE L'USO

⚠ ATTENZIONE:

- Fare attenzione a non entrare accidentalmente in contatto con una palizzata metallica o altri oggetti rigidi durante il taglio. La lama si romperebbe, causando lesioni gravi.
- Sporgersi con il taglia siepi, soprattutto da una scala, è estremamente pericoloso. Non lavorare su strutture pericolanti o instabili.

AVVISO:

Non tentare di tagliare rami con diametro superiore ai 10 mm utilizzando l'utensile. Tagliare i rami 10 cm più in basso rispetto all'altezza di taglio utilizzando un troncareami prima di utilizzare l'utensile. (Fig. 6)

⚠ ATTENZIONE:

- Non tagliare alberi secchi o corpi ugualmente rigidi per non correre il rischio di danneggiare l'utensile. (Fig. 7)
- Impugnare il taglia siepi con entrambe le mani e tirare gli interruttori di accensione A e B, spostando quindi l'utensile di fronte al proprio corpo. (Fig. 8)

Per l'uso più semplice, inclinare le lame in direzione di potatura spostandole lentamente e con calma, a una velocità di circa 3-4 secondi per metro. (Fig. 9)

Per tagliare in modo uniforme la sommità di una siepe, è possibile tendere uno spago all'altezza desiderata per utilizzarlo come linea di riferimento durante il taglio. (Fig. 10)

L'uso di un raccoglitore di residui (accessorio opzionale) durante il taglio orizzontale delle siepi evita di spargere in giro le foglie tagliate. (Fig. 11)

Per tagliare in modo uniforme il lato di una siepe, può essere d'aiuto procedere dal basso verso l'alto. (Fig. 12)

Per ottenere buoni risultati, il bosso e il rododendro devono essere tagliati dalla base verso l'alto.

Installazione o rimozione del raccoglitore di residui (accessorio opzionale)

⚠ ATTENZIONE:

- Prima di installare o rimuovere il raccoglitore di residui accertarsi sempre che l'utensile sia spento e scollegato dall'alimentazione.

NOTA:

- Durante la sostituzione del raccoglitore di residui, indossare sempre i guanti per evitare il contatto diretto di mani e volto con la lama. In caso contrario si potrebbero verificare lesioni personali.
- Accertarsi sempre di rimuovere il coprilama prima di installare il raccoglitore di residui.

- Il raccoglitore di residui raccoglie le foglie tagliate, impedendo che vengano disperse. Può essere installato su entrambi i lati dell'utensile. (Fig. 13)

Premere il raccoglitore di residui sulla lama da taglio, in modo che le sue feritoie si sovrappongano ai dadi della lama da taglio. (Fig. 14)

Per installare il raccoglitore di residui, inserire i ganci nelle fessure della lama da taglio. (Fig. 15)

Per rimuovere il raccoglitore di residui, premere la leva su entrambi i lati in modo da sbloccare i ganci.

⚠ ATTENZIONE:

- Il coprilama (dotazione standard) non può essere installato sull'utensile quando è già installato il raccoglitore di residui. Prima di trasportare o riporre l'utensile, smontare il raccoglitore di residui e rimontare il coprilama per evitare di esporre la lama.

NOTA:

- Prima dell'uso, verificare che il raccoglitore di residui sia installato correttamente.
- Non tentare di smontare il raccoglitore di residui esercitando una forza eccessiva sui ganci inseriti nelle fessure dell'unità della lama. Questo potrebbe danneggiare l'accessorio.

MANUTENZIONE

⚠ ATTENZIONE:

- Prima di effettuare controlli e operazioni di manutenzione, verificare sempre di aver spento l'utensile e di aver rimosso la batteria.

Pulizia dell'utensile

Pulire l'utensile eliminando la polvere con un panno asciutto o immerso in acqua e sapone.

⚠ ATTENZIONE:

- Evitare assolutamente di usare benzina, diluenti, solventi, alcol o sostanze simili. In caso contrario, potrebbero verificarsi scoloriture, deformazioni o incrinature.

Manutenzione della lama

Oliare la lama prima dell'uso e dopo ogni ora di utilizzo con olio per macchine o simili.

NOTA:

- Rimuovere il raccoglitore di residui prima di oliare la lama.

Dopo l'uso, eliminare la polvere da entrambi i lati della lama con una spazzola metallica, pulirla con un panno e quindi applicare una quantità sufficiente di olio a bassa

viscosità, ad esempio olio per macchine o simili, oppure olio lubrificante spray.

ATTENZIONE:

- Non lavare le lame con acqua. Questa operazione potrebbe favorire la comparsa di ruggine o danneggiare l'utensile.

Installazione o rimozione della lama da taglio

ATTENZIONE:

- Prima di rimuovere o installare la lama da taglio, verificare sempre che l'utensile sia spento e che la batteria sia stata rimossa.
- Durante la sostituzione della lama da taglio, indossare sempre i guanti e non rimuovere il coprilama, per evitare il contatto diretto di mani e volto con la lama. In caso contrario si potrebbero verificare lesioni personali.

NOTA:

- Non eliminare il grasso dall'ingranaggio e dal collare. In caso contrario si potrebbero causare danni all'utensile.

Rimozione delle lame di taglio (Fig. 16)

Rovesciare l'utensile e allentare le quattro viti, quindi rimuovere il coperchio inferiore.

NOTA:

- Fare attenzione a non sporcarsi le mani con il grasso applicato nella zona di guida della lama da taglio. (Fig. 17)

Allentare le quattro viti e rimuovere le lame. Rimuovere la rondella e la spugna dalle lame di taglio e conservarle in un apposito luogo per la successiva installazione.

(Fig. 18)

Se i manicotti sono ancora inseriti nei fori dell'ingranaggio, rimuovere l'ingranaggio ed estrarre i manicotti con un cacciavite o simili.

NOTA:

Durante la rimozione dell'ingranaggio, la rondella sottostante potrebbe uscire inavvertitamente dalla propria sede. In tal caso, riportarla nella sua posizione originale.

Installazione della lama da taglio (Fig. 19)

Rimuovere il coprilama dalle vecchie lame di taglio e applicarlo sulle lame nuove per evitare ogni contatto con le stesse. (Fig. 20)

Regolare le posizioni del foro ruotando l'ingranaggio come illustrato in figura. (Fig. 21 e 22)

Applicare il grasso in dotazione con le nuove lame di taglio come illustrato in figura. (Fig. 23)

Posizionare la spugna precedentemente rimossa nello stesso punto di quella vecchia. Assicurarsi che i manicotti in dotazione con le nuove lame di taglio vengano inseriti nei perni della lama. Posizionare le nuove lame sull'utensile inserendo i perni nei fori dell'ingranaggio. Se i manicotti dei perni dovessero fuoriuscire in modo accidentale, inserire in anticipo i manicotti nei fori dell'ingranaggio. (Fig. 24)

Installare la lama, stringere le quattro viti e riposizionare la rondella nello stesso punto di partenza. (Fig. 25)

Installare il coperchio inferiore dell'utensile e stringere saldamente le quattro viti.

Stoccaggio

Il foro per il gancio nella parte inferiore dell'utensile è utile per appendere l'utensile a un chiodo o a una vite sulla parete. (Fig. 26)

Rimuovere la batteria e applicare il coprilama sulle lame di taglio, in modo che le lame non siano esposte. Riporre l'utensile con attenzione e lontano dalla portata dei bambini.

Riporre l'utensile in un luogo non esposto ad acqua e pioggia.

Per preservare la SICUREZZA e l'AFFIDABILITÀ del prodotto, qualsiasi riparazione o intervento di manutenzione e regolazione deve essere eseguito dai centri assistenza autorizzati Makita, utilizzando sempre ricambi Makita.

ACCESSORI OPZIONALI

ATTENZIONE:

- Si consiglia l'uso dei seguenti accessori per l'utensile Makita descritto in questo manuale. L'uso di qualsiasi altro accessorio potrebbe provocare lesioni personali. Utilizzare gli accessori esclusivamente per l'uso dichiarato.

Per l'assistenza e per ulteriori informazioni su tali accessori, rivolgersi al centro assistenza Makita di zona.

- Coprilama
- Unità lama da taglio
- Batteria e caricabatteria originali Makita
- Raccogliitore di residui

NOTA:

- Alcuni degli accessori elencati potrebbero essere inclusi nella confezione dell'utensile come accessori standard. Gli accessori standard possono differire da paese a paese.

Rumore

ENG905-1

Il tipico livello di rumore ponderato A è determinato in conformità alla norma EN62841-4-2:

Modello DUH483

Livello di pressione sonora (L_{pA}): 73 dB (A)
Variazione (K): 3,9 dB (A)

Il livello acustico in esercizio può superare 80 dB (A).

Modello DUH523

Livello di pressione sonora (L_{pA}): 73 dB (A)
Variazione (K): 4,3 dB (A)

Il livello acustico in esercizio può superare 80 dB (A).

ENG907-1

- Il valore o i valori dichiarati delle emissioni di rumori sono stati misurati in conformità a un metodo standard di verifica, e possono essere utilizzati per confrontare un utensile con un altro.
- Il valore o i valori dichiarati delle emissioni di rumori possono venire utilizzati anche per una valutazione preliminare dell'esposizione.

AVVERTENZA:

- **Indossare protezioni per le orecchie.**
- **L'emissione di rumori durante l'utilizzo effettivo dell'utensile elettrico può variare rispetto al valore o ai valori dichiarati, a seconda dei modi in cui viene utilizzato l'utensile e specialmente a seconda di che tipo di pezzo venga lavorato.**

- **Accertarsi di identificare misure di sicurezza per la protezione dell'operatore che siano basate su una stima dell'esposizione nelle condizioni effettive di utilizzo (tenendo conto di tutte le parti del ciclo operativo, ad esempio del numero di spegnimenti dell'utensile e di quando giri a vuoto, oltre al tempo di attivazione).**

Vibrazione

ENG900-1

Il valore totale delle vibrazioni (somma vettoriale triassiale) è determinato in conformità alla norma

EN62841-4-2:

Emissione di vibrazioni (a_h): 2,5 m/s² o inferiore

Variazione (K): 1,5 m/s²

ENG901-2

- Il valore o i valori complessivi delle vibrazioni dichiarati sono stati misurati in conformità a un metodo standard di verifica, e possono essere utilizzati per confrontare un utensile con un altro.
- Il valore o i valori complessivi delle vibrazioni dichiarati possono venire utilizzati anche per una valutazione preliminare dell'esposizione.

AVVERTENZA:

- **L'emissione delle vibrazioni durante l'utilizzo effettivo dell'utensile elettrico può variare rispetto al valore o ai valori dichiarati, a seconda dei modi in cui viene utilizzato l'utensile, specialmente a seconda di che tipo di pezzo venga lavorato.**
- **Accertarsi di identificare misure di sicurezza per la protezione dell'operatore che siano basate su una stima dell'esposizione nelle condizioni effettive di utilizzo (tenendo conto di tutte le parti del ciclo operativo, ad esempio del numero di spegnimenti dell'utensile e di quando giri a vuoto, oltre al tempo di attivazione).**

Dichiarazione di conformità CE

Solo per i paesi europei

La dichiarazione di conformità CE è inclusa nell'Allegato A di questo manuale di istruzioni.

NEDERLANDS (Originele instructies)

Verklaring van het onderdelenoverzicht

- | | | |
|-------------------------|---|--|
| 1. Rode deel | 14. Hegoppervlak dat u wilt snoeien | 25. Trek de vergrendeling uit de groeven |
| 2. Knop | 15. Kantel de messenbladen | 26. Schroeven |
| 3. Accu | 16. Touwtje | 27. Deksel op onderkant |
| 4. Ster-merkteken | 17. Drukken | 28. Kussentje |
| 5. Indicatorlampjes | 18. Snoeiafvalgeleider | 29. Ring |
| 6. Testknop | 19. Moer | 30. Tandwiel |
| 7. Aan/uit-schakelaar A | 20. Messenblad | 31. Bussen |
| 8. Aan/uit-schakelaar B | 21. Vergrendelingen | 32. Groef |
| 9. Uit-vergrendelknop | 22. Plaats de vergrendelingen in de groeven | 33. Schede |
| 10. Bedrijfslampje | 23. Groeven | 34. Vet |
| 11. Snoeihoogte | 24. Duw de knoppen aan beide zijden in | 35. Messenblad |
| 12. 10 cm | | |
| 13. Snoeirichting | | |

TECHNISCHE GEGEVENS

Model	DUH483	DUH523
Lengte messenblad	480 mm	520 mm
Aantal zaagbewegingen per minuut (min ⁻¹)	1.350	
Nominale spanning	18 V DC	
Totale lengte (afhankelijk van de accu)	873 - 888 mm	923 - 938 mm
Nettogewicht	3,0 - 3,3 kg	3,0 - 3,4 kg

- Als gevolg van ons doorlopende onderzoeks- en ontwikkelingsprogramma, zijn de technische gegevens van dit gereedschap onderhevig aan veranderingen zonder voorafgaande kennisgeving.
- De technische gegevens kunnen van land tot land verschillen.
- Het gewicht kan verschillen afhankelijk van het/de hulpstuk(ken), waaronder de accu. De lichtste en zwaarste combinatie, volgens EPTA-Procedure 01/2014, worden vermeld in de tabel.

Geschikte accu en acculader

Accu	BL1815N/BL1820B/BL1830B/BL1840B/BL1850B/BL1860B
Acculader	DC18RC/DC18RD/DC18RE/DC18SD/DC18SE/DC18SF/DC18SH

- Sommige van de bovenvermelde accu's en acculaders zijn mogelijk niet leverbaar, afhankelijk van het gebied waarin u woont.

WAARSCHUWING:

- **Gebruik uitsluitend de bovenvermelde accu's en acculaders.** Als u een andere accu of oplader gebruikt, kan dit leiden tot letsel en/of brand.

Aanbevolen accuadapter

Accuadapter	PDC01
-------------	-------

- De hierboven vermelde accuadapter(s) is/zijn mogelijk niet leverbaar afhankelijk van waar u woont.
- Alvorens de accuadapter in gebruik te nemen, leest u eerst de instructie en waarschuwingsopdrachten op de accuadapter.

Symbolen

END013-6

Hieronder staan de symbolen die voor het gereedschap worden gebruikt. Zorg ervoor dat u weet wat ze betekenen alvorens de accu te gebruiken.



..... Draag oogbescherming.



..... GEVAAR - Houd handen uit de buurt van het snijgereedschap.



..... Alleen voor EU-landen
Geef elektrisch gereedschap en accu's niet met het huisvuil mee!
Volgens de Europese richtlijn inzake



..... Lees de gebruiksaanwijzing.



..... Stel het gereedschap niet bloot aan vocht.

oude elektrische en elektronische apparaten, en inzake batterijen en accu's en oude batterijen en accu's, en de toepassing daarvan binnen de nationale wetgeving, dienen elektrisch gereedschap, accu's en batterijen die het einde van hun levensduur hebben bereikt, gescheiden te worden ingezameld en te worden afgevoerd naar een recyclebedrijf dat voldoet aan de geldende milieu-eisen.

Gebruiksdoelinden

ENE014-1

Het gereedschap is bedoeld om heggen te snoeien.

Algemene veiligheids waarschuwingen voor elektrisch gereedschap

GEA010-2

⚠ WAARSCHUWING: Lees alle veiligheids waarschuwingen, aanwijzingen, afbeeldingen en technische gegevens behorend bij dit elektrische gereedschap aandachtig door. Als u niet alle onderstaande aanwijzingen naleeft, kan dat resulteren in brand, elektrische schokken en/of ernstig letsel.

Bewaar alle waarschuwingen en instructies om in de toekomst te kunnen raadplegen.

De term "elektrisch gereedschap" in de veiligheidsvoorschriften duidt op gereedschappen die op stroom van het lichtnet werken (met snoer) of gereedschappen met een accu (snoerloos).

Veiligheids waarschuwingen voor een accuheggenchaar

GEB215-2

1. **Houd alle lichaamsdelen uit de buurt van de messenbladen. Verwijder geen snoeiafval en houd geen materiaal om te snoeien vast terwijl de messenbladen bewegen.** De messenbladen blijven bewegen nadat de schakelaar is uitgezet. Een ogenblik van onoplettendheid kan tijdens het gebruik van de heggenschaar leiden tot ernstig persoonlijk letsel.
2. **Draag de heggenschaar aan de handgreep met stilstaande messenbladen en let erop dat u geen enkele aan-uitschakelaar bedient.** Door op de juiste manier de heggenschaar te dragen, verkleint u de kans op per ongeluk starten met als gevolg persoonlijk letsel door de messenbladen.
3. **Bij het transporteren of opbergen van de heggenschaar moet altijd de schede worden aangebracht over de messenbladen.** Door op de juiste manier met de heggenschaar om te gaan, verkleint u de kans op persoonlijk letsel door de messenbladen.
4. **Bij het verwijderen van vastgelopen materiaal of uitvoeren van onderhoud, verzekert u zich ervan**

dat alle aan-uitschakelaars uit staan en de accu is verwijderd of losgekoppeld. Onverwachte inschakeling van de heggenschaar tijdens het verwijderen van vastgelopen materiaal of uitvoeren van onderhoud, kan leiden tot ernstig persoonlijk letsel.

5. **Houd de heggenschaar alleen vast bij de geïsoleerde oppervlakken omdat de messenbladen met verborgen bedrading in aanraking kunnen komen.** Wanneer de messenbladen in aanraking komen met onder spanning staande draden, zullen de niet-geïsoleerde metalen delen van de heggenschaar onder spanning komen te staan zodat de gebruiker een elektrische schok kan krijgen.
6. **Houd alle netsnoeren en kabels uit de buurt van het snoeigebied.** Netsnoeren en kabels kunnen verborgen liggen in heggen of struiken en kunnen per ongeluk worden doorgesneden door de messenbladen.
7. **Gebruik de heggenschaar niet onder slechte weersomstandigheden, met name wanneer de kans op bliksem bestaat.** Dit verkleint de kans om door de bliksem getroffen te worden.

Aanvullende veiligheidsinstructies

Vorbereidingen

1. **Controleer de heggen en struiken op vreemde voorwerpen, zoals draadafrastering of verborgen draden, voordat u het gereedschap gebruikt.**
2. **Het gereedschap mag niet worden gebruikt door kinderen of jongeren onder de 18 jaar.** Jongeren ouder dan 16 jaar kunnen uitgezonderd worden van deze regel mits zij les krijgen onder toezicht van een expert.
3. **Beginnende gebruikers dienen door een ervaren gebruiker te worden voorgedaan hoe het gereedschap moet worden gebruikt.**
4. **Gebruik het gereedschap alleen als u in goede lichamelijke conditie verkeert.** Als u vermoeid bent, kunt u zich minder goed concentreren. Wees met name voorzichtig aan het einde van de werkdag. Werk altijd rustig en voorzichtig. De gebruiker is aansprakelijk voor alle schade toegebracht aan derden.
5. **Gebruik het gereedschap nooit onder invloed van alcohol, drugs of medicijnen.**
6. **Werkhandschoenen van stevig leer maken deel uit van de standaard werkkuitrusting van het gereedschap en moeten tijdens het werken ermee altijd worden gedragen. Draag tevens stevige schoenen met antislip zolen.**
7. **Alvorens met de werkzaamheden te beginnen, moet u controleren of het gereedschap in goede en veilige staat verkeert. Controleer dat de beschermkappen stevig gemonteerd zijn. Het gereedschap mag niet worden gebruikt voordat deze geheel compleet en afgemonteerd is.**

Bediening

1. **Houd tijdens het gebruik het gereedschap stevig met beide handen vast.**
2. **Het gereedschap is bedoeld om te worden gebruikt door een gebruiker die op de grond staat.**

- Gebruik het gereedschap niet op een ladder of andere instabiele ondergrond.
3. **GEVAAR** - Houd uw handen uit de buurt van de messenbladen. Aanraking van de messenbladen kan leiden tot ernstig persoonlijk letsel.
 4. Gebruik het gereedschap niet in de regen of onder natte of zeer vochtige omstandigheden. De elektromotor is niet waterdicht.
 5. Zorg alvorens met de werkzaamheden te beginnen ervoor dat u stevig staat.
 6. Laat het gereedschap niet onnodig onbelast draaien.
 7. Schakel het gereedschap onmiddellijk uit en verwijder de accu als de messenbladen in aanraking komen met een afrastering of ander hard voorwerp. Controleer de messenbladen op beschadigingen en indien beschadigd, vervangt u de messenbladen onmiddellijk.
 8. Alvorens de messenbladen te controleren, storiogen te verhelpen of vastgelopen materiaal uit de messenbladen te verwijderen, schakelt u het gereedschap altijd uit en verwijdert u de accu.
 9. Richt de messenbladen nooit op uzelf of anderen.
 10. Als de messenbladen tijdens gebruik stoppen met bewegen doordat vreemde voorwerpen verstrikt geraakt zijn tussen de messenbladen, schakelt u het gereedschap uit en verwijdert u de accu, en verwijdert u vervolgens de vreemde voorwerpen met behulp van gereedschappen, zoals een tang. Als u de vreemde voorwerpen met de hand verwijdert, kan dat leiden tot letsel omdat de messenbladen kunnen gaan bewegen als reactie op het verwijderen van de vreemde voorwerpen.
 11. Vermijd gevaarlijke omgevingen. Gebruik het gereedschap niet op vochtige of natte plaatsen en stel het niet bloot aan regen. Als water binnendringt in het gereedschap, wordt de kans op een elektrische schok groter.

Onderhoud en opslag

1. Schakel het gereedschap uit en verwijder de accu alvorens enige onderhoudswerkzaamheden uit te voeren.
2. Wanneer u het gereedschap naar een andere plaats overbrengt, ook tijdens het werk, verwijdert u altijd eerst de accu en brengt u de schade aan over de messenbladen. Draag of vervoer het gereedschap nooit met ingeschakelde messenbladen. Pak de messenbladen nooit met uw handen beet.
3. Reinig het gereedschap, en met name de messenbladen, na ieder gebruik en voordat het gereedschap langdurig wordt opgeborgen. Smeer de messenbladen met een beetje olie en breng de schade aan.
4. Berg het gereedschap met aangebrachte schade op in een droog vertrek. Houd het gereedschap buiten bereik van kinderen. Laat het gereedschap nooit buiten liggen.
5. Werp de accu(s) niet in een vuur. De accu kan exploderen. Raadpleeg de lokale regelgeving voor mogelijke speciale verwerkingsvereisten.
6. Open of vervorm de accu(s) niet. Het elektrolyt is agressief en kan letsel toebrengen aan de ogen en huid. Het kan giftig zijn bij inslikken.

7. Laad de accu niet op in de regen of op een natte plaats.

BEWAAR DEZE VOORSCHRIFTEN.

⚠ WAARSCHUWING:

Laat u NIET misleiden door een vals gevoel van comfort en bekendheid met het gereedschap (na veelvuldig gebruik) en neem alle veiligheidsvoorschriften van het betreffende gereedschap altijd strikt in acht. VERKEERD GEBRUIK of het niet naleven van de veiligheidsvoorschriften in deze gebruiksaanwijzing kan leiden tot ernstig letsel.

Belangrijke veiligheidsinstructies voor een accu

ENC007-16

1. Lees alle voorschriften en waarschuwingen op (1) de acculader, (2) de accu, en (3) het product waarvoor de accu wordt gebruikt, alvorens de accu in gebruik te nemen.
2. Haal de accu niet uit elkaar en saboteer hem niet. Dit kan leiden tot brand, buitensporige hitte of een explosie.
3. Als de gebruikstijd van een opgeladen accu aanzienlijk korter is geworden, moet u het gebruik ervan onmiddellijk stopzetten. Voortgezet gebruik kan oververhitting, brandwonden en zelfs een ontploffing veroorzaken.
4. Als elektrolyt in uw ogen is terechtgekomen, spoelt u uw ogen met schoon water en roept u onmiddellijk de hulp van een dokter in. Elektrolyt in de ogen kan blindheid veroorzaken.
5. Voorkom kortsluiting van de accu:
 - (1) Raak de accuklemmen nooit aan met een geleidend materiaal.
 - (2) Bewaar de accu niet in een bak waarin andere metalen voorwerpen zoals spijkers, munten e.d. worden bewaard.
 - (3) Stel de accu niet bloot aan water of regen. Kortsluiting van de accu kan oorzaak zijn van een grote stroomafgifte, oververhitting, brandwonden, en zelfs defecten.
6. Bewaar en gebruik het gereedschap en de accu niet op plaatsen waar de temperatuur kan oplopen tot 50 °C of hoger.
7. Werp de accu nooit in het vuur, ook niet wanneer hij zwaar beschadigd of volledig versleten is. De accu kan ontploffen in het vuur.
8. Laat de accu niet vallen, sla er geen spijker in, snijd er niet in, gooi er niet mee en stoot hem niet tegen een hard voorwerp. Dergelijke handelingen kunnen leiden tot brand, buitensporige hitte of een explosie.
9. Gebruik nooit een beschadigde accu.
10. De bijgeleverde lithium-ionbatterijen zijn onderhevig aan de vereisten in de wetgeving omtrent gevaarlijke stoffen. Voor commercieel transport en dergelijke door derden en transporteurs moeten speciale vereisten ten aanzien van verpakking en etikettering worden nageleefd.

Als voorbereiding van het artikel dat wordt getransporteerd is het noodzakelijk een expert op het gebied van gevaarlijke stoffen te raadplegen. Houd u tevens aan mogelijk strengere nationale regelgeving. Blootliggende contactpunten moeten worden afgedekt met tape en de accu moet zodanig worden verpakt dat deze niet kan bewegen in de verpakking.

11. **Wanneer u de accu wilt weggooiden, verwijdert u de accu vanaf het gereedschap en gooit u hem op een veilige manier weg. Volg bij het weggooiden van de accu de plaatselijke voorschriften.**
12. **Gebruik de accu's uitsluitend met de gereedschappen die door Makita zijn aanbevolen.** Als de accu's worden aangebracht in niet-compatibele gereedschappen, kan dat leiden tot brand, buitensporige warmteontwikkeling, een explosie of lekkage van elektrolyt.
13. **Als u het gereedschap gedurende een lange tijd niet denkt te gaan gebruiken, moet de accu vanaf het gereedschap worden verwijderd.**
14. **Tijdens en na gebruik, kan de accu heet worden waardoor brandwonden of koude brandwonden kunnen worden veroorzaakt. Wees voorzichtig bij het hanteren van een hete accu.**
15. **Raak de aansluitpunten van het gereedschap niet onmiddellijk na gebruik aan omdat deze heet genoeg kunnen zijn om brandwonden te veroorzaken.**
16. **Zorg ervoor dat geen steenslag, stof of grond vast komt te zitten op/in de aansluitpunten, openingen en groeven van de accu.** Dit kan leiden tot slechte prestaties of een defect van het gereedschap of de accu.
17. **Behalve indien gebruik van het gereedschap is toegestaan in de buurt van hoogspanningsleidingen, mag u de accu niet gebruiken in de buurt van een hoogspanningsleiding.** Dit kan leiden tot een storing of een defect van het gereedschap of de accu.
18. **Houd de accu uit de buurt van kinderen.**

BEWAAR DEZE INSTRUCTIES.

⚠ LET OP: Gebruik uitsluitend originele Makita accu's. Het gebruik van niet-originele accu's, of accu's die zijn gewijzigd, kan ertoe leiden dat de accu ontploft en brand, persoonlijk letsel en schade veroorzaakt. Ook vervalt daarmee de garantie van Makita op het gereedschap en de lader van Makita.

Tips voor een maximale levensduur van de accu

1. **Laad de accu op voordat hij volledig ontladen is. Stop het gebruik van het gereedschap en laad de accu op telkens wanneer u vaststelt dat het vermogen van het gereedschap is afgenomen.**
2. **Laad een volledig opgeladen accu nooit opnieuw op. Te lang opladen verkort de levensduur van de accu.**
3. **Laad de accu op bij een omgevingstemperatuur tussen 10°C en 40°C. Laat een warme accu afkoelen alvorens hem op te laden.**
4. **Als de accu niet wordt gebruikt, verwijdert u hem vanaf het gereedschap of de lader.**

5. **Laad de accu op als u deze gedurende een lange tijd (meer dan zes maanden) niet gaat gebruiken.**

BESCHRIJVING VAN DE FUNCTIES

⚠ LET OP:

- Zorg ervoor dat het gereedschap is uitgeschakeld en dat de accu is verwijderd voordat u de werking van het gereedschap aanpast of controleert.

De accu aanbrengen en verwijderen (zie afb. 1)

⚠ LET OP:

- Schakel het gereedschap altijd uit voordat u de accu aanbrengt of verwijdert.
- **Houd het gereedschap en de accu stevig vast tijdens het aanbrengen of verwijderen van de accu.** Als u het gereedschap en de accu niet stevig vasthoudt, kunnen deze uit uw handen glijpen en beschadigd raken, of kan persoonlijk letsel worden veroorzaakt.

Om de accu te verwijderen verschuift u de knop aan de voorkant van de accu en schuift u tegelijkertijd de accu eraf.

Om de accu aan te brengen, lijnt u de lip op de accu uit met de groef in de behuizing en duwt u de accu op zijn plaats. Steek de accu zo ver mogelijk erin tot u een klikgeluid hoort. Als u het rode deel aan de bovenkant van de knop kunt zien, is de accu niet goed aangebracht.

⚠ LET OP:

- Breng de accu altijd helemaal aan totdat het rode deel niet meer zichtbaar is. Als u dit niet doet, kan de accu per ongeluk uit het gereedschap vallen en u of anderen in uw omgeving verwonden.
- Breng de accu niet met kracht aan. Als de accu niet gemakkelijk erin kan worden geschoven, wordt deze niet goed aangebracht.

Accubeveiligingssysteem (lithiumionaccu met een ster-merkteken) (zie afb. 2)

Lithiumionaccu's met een ster-merkteken zijn uitgerust met een beveiligingssysteem. Dit systeem schakelt automatisch de voeding naar het gereedschap uit om de levensduur van de accu te verlengen.

Het gereedschap zal tijdens gebruik automatisch stoppen wanneer het gereedschap en/of de accu zich in een van de volgende omstandigheden bevinden:













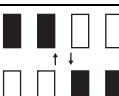

- Overbelasting:
Het gereedschap wordt gebruikt op een manier die ertoe leidt dat een abnormaal hoge stroomsterkte uit de accu wordt getrokken.
Laat in die situatie de aan/uit-schakelaar van het gereedschap los en stop het gebruik dat ertoe leidde dat het gereedschap overbelast werd. Knijp daarna opnieuw de aan/uit-schakelaar in om het gereedschap weer in te schakelen.
Als het gereedschap niet wordt ingeschakeld, is de accu oververhit. In die situatie laat u de accu eerst afkoelen voordat u opnieuw de aan/uit-schakelaar inknijpt.

- Lage accuspanning:
De resterende acculading is te laag en het gereedschap wordt niet ingeschakeld. Verwijder in die situatie de accu en laad hem op.

Aanduiding van de resterende acculading

(Alleen voor accu's met een "B" aan het einde van het modelnummer.) (zie afb. 3)

Druk op de testknop op de accu om de resterende accucapaciteit af te lezen. De indicatorlampjes branden gedurende enkele seconden.

Indicatorlampjes			Resterende acculading
 Brandt	 Uit	 Knippert	
			75% tot 100%
			50% tot 75%
			25% tot 50%
			0% tot 25%
			Laad de accu op.
			Er kan een storing in de accu zijn opgetreden.

015658

OPMERKING:

- Afhankelijk van de gebruiksomstandigheden en de omgevingstemperatuur, is het mogelijk dat de aangegeven acculading verschilt van de werkelijke acculading.

Werking van de aan/uit-schakelaar

LET OP:

- Controleer altijd, voordat u de accu in het gereedschap steekt, of de aan/uit-schakelaar op de juiste manier schakelt en weer terugkeert naar de uit-stand nadat deze is losgelaten (zie afb. 4).

Voor uw veiligheid is dit gereedschap uitgerust met een tweevoudig in-/uitschakelsysteem. Om het gereedschap in te schakelen, drukt u de uit-vergrendelknop en de aan/uit-schakelaars A en B in. Laat één van de twee ingedrukte aan/uit-schakelaars los om het gereedschap uit te schakelen. De volgorde waarin de aan/uitschakelaars worden ingedrukt is niet van belang omdat het gereedschap pas start nadat de tweede schakelaar is ingedrukt.

Bedrijfslampje (zie afb. 5)

Tijdens gebruik van het gereedschap geeft het bedrijfslampje de toestand van de acculading aan. In het geval het gereedschap overbelast is en tijdens gebruik is gestopt, brandt het bedrijfslampje rood. Raadpleeg onderstaande tabel voor de toestand van de accu en het gereedschap, alsmede de te nemen maatregelen voor iedere status van het bedrijfslampje.

Status van bedrijfslampje	Toestand van accu/gereedschap	Te nemen maatregelen
Het bedrijfslampje knippert rood.	Dit geeft het juiste tijdstip aan om de accu te vervangen wanneer de accu bijna leeg is.	Laad de accu zo spoedig mogelijk op.
Het bedrijfslampje brandt rood. (Opmerking 1)	Deze functie treedt in werking wanneer de acculading bijna opgebruikt is. Op dat moment stopt het gereedschap onmiddellijk.	Laad de accu op.
Het bedrijfslampje brandt rood. (Opmerking 1)	Het gereedschap stopt automatisch als gevolg van overbelasting.	Schakel het gereedschap uit.

Opmerking 1: Het moment waarop het bedrijfslampje gaat branden varieert met de temperatuur in het werkgebied en de toestand van de accu.

010970

BEDRIJF

⚠ LET OP:

- Wees voorzichtig niet per ongeluk een metalen afrastering of andere harde voorwerpen te raken tijdens het snoeien. De messenbladen zullen breken en kunnen ernstig letsel veroorzaken.
- Het is bijzonder gevaarlijk met de heggenschaar te ver te reiken, met name op een ladder. Werk niet vanuit een wankele of instabiele positie.

KENNISGEVING:

Probeer geen takken dikker dan 10 mm diameter te snoeien met dit gereedschap. Snoei takken tot 10 cm minder dan de snoeihoogte met takkenscharen voordat u het gereedschap gebruikt (**zie afb. 6**).

⚠ LET OP:

- Snoei niet in dode bomen of andere harde voorwerpen. Als u zich hier niet aan houdt, kan het gereedschap worden beschadigd (**zie afb. 7**).

Druk met beide handen de aan/uit-schakelaars A en B in, houdt de heggenschaar vóór uw lichaam en snoei vervolgens van beneden naar boven (**zie afb. 8**).

Als standaardmethode houdt u de messenbladen gekanteld in de snoeirichting en beweegt u ze rustig en langzaam met een snelheid van 3 of 4 seconden per meter (**zie afb. 9**).

Om de bovenkant van een heg gelijkmatig te snoeien, is het handig een touwtje op de gewenste hoogte te spannen en er langs te snoeien (**zie afb. 10**).

Door een snoeiafvalgeleider (los verkrijgbaar) op het gereedschap aan te brengen bij het recht snoeien van een heg, wordt voorkomen dat het snoeiafval wordt weggeworpen (**zie afb. 11**).

Om de zijkant van een heg gelijkmatig te snoeien, is het handig van onder naar boven te snoeien (**zie afb. 12**).

Snoei buxus en rododendron van onder naar boven voor een mooie, gladde afwerking.

De snoeiafvalgeleider (los verkrijgbaar) aanbrengen en verwijderen

⚠ LET OP:

- Controleer altijd of het gereedschap is uitgeschakeld en de stekker uit het stopcontact is getrokken alvorens de snoeiafvalgeleider aan te brengen of te verwijderen.

OPMERKING:

- Draag bij het aanbrengen of verwijderen van de snoeiafvalgeleider altijd handschoenen zodat uw handen en gezicht niet rechtstreeks in aanraking

komen met de messenbladen. Als u dat niet doet, kan dit leiden tot persoonlijk letsel.

- Haal altijd eerst de schede van de messenbladen af voordat u de snoeiafvalgeleider aanbrengt.
- De snoeiafvalgeleider vangt de gesnoeiide blaadjes af en vergemakkelijkt het verzamelen van de vallende blaadjes. Deze kan aan beide kanten van het gereedschap worden bevestigd (**zie afb. 13**).

Duw de snoeiafvalgeleider op de messenbladen zodat de sleuven over de moeren op de messenbladen vallen (**zie afb. 14**).

De snoeiafvalgeleider moet zodanig worden aangebracht dat de vergrendelingen ervan aangrijpen in de groeven in de messenbladen (**zie afb. 15**).

Om de snoeiafvalgeleider te verwijderen, drukt u aan beide zijden op de vergrendeling zodat deze loslaat.

⚠ LET OP:

- De schede (standaarduitrusting) kan niet om de messenbladen worden geschoven terwijl de snoeiafvalgeleider is aangebracht. Alvorens de heggenschaar mee te nemen of op te bergen, verwijdert u de snoeiafvalgeleider en schuift u de schede om de messenbladen om te voorkomen dat deze bloot liggen.

OPMERKING:

- Controleer de snoeiafvalgeleider op correcte montage alvorens deze te gebruiken.
- Probeer de snoeiafvalgeleider nooit met grote kracht te verwijderen terwijl de vergrendelingen aangrijpen in de gleuven van de messenbladen. Bij gebruik van grote kracht kan de snoeiafvalgeleider worden beschadigd.

ONDERHOUD

⚠ LET OP:

- Zorg er altijd voor dat het gereedschap is uitgeschakeld en de accu is verwijderd, voordat u een inspectie of onderhoud uitvoert.

Het gereedschap schoonmaken

Maak het gereedschap schoon door het stof eraf te vegen met een droge of met zeepwater bevochtigde doek.

⚠ LET OP:

- Gebruik nooit benzine, wasbenzine, thinner, alcohol, enz. Dit kan leiden tot verkleuren, vervormen of barsten.

Onderhoud van messenbladen

Smeer de messenbladen voor aanvang van de werkzaamheden en na ieder bedrijfsuur met machineolie of iets soortgelijks.

OPMERKING:

- Verwijder de snoeiafvalgeleider alvorens de messenbladen te smeren.

Verwijder na de werkzaamheden het vuil van beide zijden van de messenbladen met behulp van een staalborstel, veeg de messenbladen schoon met een doek, en breng voldoende olie met een lage viscositeit aan, zoals bijvoorbeeld machineolie, smeerolie uit een spuitbus, enz.

⚠ LET OP:

- Was de messenbladen niet met water. Als u dit toch doet, kunnen de messenbladen gaan roesten of het gereedschap worden beschadigd.

De messenbladen aanbrengen en verwijderen

⚠ LET OP:

- Zorg er altijd voor dat het gereedschap is uitgeschakeld en de accu is verwijderd, voordat u de messenbladen aanbrengt of verwijderd.
- Draag bij het aanbrengen of verwijderen van de messenbladen altijd handschoenen zonder de schede eraf te halen zodat uw handen en gezicht niet rechtstreeks in aanraking komen met de messenbladen. Als u dat niet doet, kan dit leiden tot persoonlijk letsel.

OPMERKING:

- Veeg het vet op het tandwiel en de kruk niet af. Als u dit toch doet, kan het gereedschap worden beschadigd.

De messenbladen verwijderen (zie afb. 16)

Draai het gereedschap ondersteboven, draai de vier schroeven los en verwijder het deksel op de onderkant.

OPMERKING:

- Wees voorzichtig uw handen niet vuil te maken aan het vet in het tandwielhuis van de messenbladen (zie afb. 17).

Draai de vier schroeven los en verwijder de messenbladen. Verwijder de ring en het kussentje vanaf de messenbladen en leg deze aan de kant. Zij zijn later bij montage weer nodig (zie afb. 18).

Als de bussen nog in de gaten van het tandwiel zitten, verwijder u het tandwiel en duwt u de bussen eruit met een schroevendraaier of iets soortgelijks.

OPMERKING:

De ring onder het tandwiel kan per ongelijk mee eruit komen wanneer het tandwiel wordt verwijderd. In dat geval plaatst u hem terug op zijn oorspronkelijke plaats.

De messenbladen aanbrengen (zie afb. 19)

Verwijder de schede vanaf de oude messenbladen en schuif hem over de nieuwe messenbladen om aanraking van de nieuwe messenbladen te voorkomen (zie afb. 20). Lijn de posities van de gaten uit door het tandwiel te draaien zoals aangegeven (zie afb. 21 en 22).

Breng enig vet aan dat bij de nieuwe messenbladen werd geleverd, zoals aangegeven (zie afb. 23).

Plaats het verwijderde kussentje terug op zijn oorspronkelijke plaats. Zorg ervoor dat de bussen die bij de nieuwe messenbladen werden geleverd op de pennen van de nieuwe messenbladen worden geplaatst. Plaats de nieuwe messenbladen in het gereedschap zodanig dat de bussen passen in de gaten in het tandwiel. Als per ongeluk de bussen van de pennen afvallen, mag u ze ook eerst in de gaten in het tandwiel plaatsen (zie afb. 24). Breng de messenbladen aan en draai de vier schroeven vast en plaats de verwijderde ring terug op zijn oorspronkelijke plaats (zie afb. 25).

Breng het deksel aan op de onderkant van het gereedschap en draai de vier schroeven stevig vast.

Opslag

Het gat in de onderkant van het gereedschap is handig om het gereedschap aan een spijker of schroef in de muur te hangen (zie afb. 26).

Verwijder de accu en schuif de schede over de messenbladen zodat deze niet bloot liggen. Bewaar het gereedschap buiten bereik van kinderen.

Bewaar het gereedschap op een plaats die niet is blootgesteld aan water of regen.

Om de VEILIGHEID en BETROUWBAARHEID van het gereedschap te handhaven, dienen alle reparaties, onderhoud en afstellingen te worden uitgevoerd door een erkend Makita-servicecentrum, en altijd met gebruikmaking van originele Makita-ervangingsonderdelen.

VERKRIJGBARE ACCESSOIRES

⚠ LET OP:

- Deze accessoires of hulpstukken worden aanbevolen voor gebruik met het Makita-gereedschap dat in deze gebruiksaanwijzing wordt beschreven. Het gebruik van andere accessoires of hulpstukken kan gevaar voor persoonlijk letsel opleveren. Gebruik de accessoires of hulpstukken uitsluitend voor de aangegeven gebruiksdoeleinden.

Mocht u meer informatie willen hebben over deze accessoires, dan kunt u contact opnemen met uw plaatselijke Makita-servicecentrum.

- Schede
- Messenbladen
- Originele Makita-accu en -lader
- Snoeiafvalgeleider

OPMERKING:

- Sommige items op de lijst kunnen zijn inbegrepen in de doos van het gereedschap als standaard toebehoren. Zij kunnen van land tot land verschillen.

Geluid

ENG905-1

De typische, A-gewogen geluidsniveaus zijn gemeten volgens EN62841-4-2:

Modellen DUH483

Geluidsdrukniveau (L_{pA}): 73 dB (A)

Onzekerheid (K): 3,9 dB (A)

Het geluidsniveau kan tijdens gebruik hoger worden dan 80 dB (A).

Modellen DUH523

Geluidsdrukniveau (L_{pA}): 73 dB (A)

Onzekerheid (K): 4,3 dB (A)

Het geluidsniveau kan tijdens gebruik hoger worden dan 80 dB (A).

EU-verklaring van conformiteit

Alleen voor Europese landen

De EU-verklaring van conformiteit is opgenomen als Bijlage A in deze instructiehandleiding.

ENG907-1

- De opgegeven geluidsemissiewaarde(n) is/zijn gemeten volgens een standaardtestmethode en kan/kunnen worden gebruikt om dit gereedschap te vergelijken met andere gereedschappen.
- De opgegeven geluidsemissiewaarde(n) kan/kunnen ook worden gebruikt voor een beoordeling vooraf van de blootstelling.

WAARSCHUWING:

- **Draag gehoorbescherming.**
- **De geluidsemissie tijdens het gebruik van het elektrisch gereedschap in de praktijk kan verschillen van de opgegeven waarde(n) afhankelijk van de manier waarop het gereedschap wordt gebruikt, met name van het soort werkstuk waarmee wordt gewerkt.**
- **Zorg ervoor dat veiligheidsmaatregelen worden getroffen ter bescherming van de gebruiker die zijn gebaseerd op een schatting van de blootstelling onder praktijkomstandigheden (rekening houdend met alle fasen van de bedrijfscyclus, zoals de tijdsduur gedurende welke het gereedschap is uitgeschakeld en stationair draait, naast de ingeschakelde tijdsduur).**

Trillingen

ENG900-1

De totale trillingswaarde (triaxiale vectorsom) zoals vastgesteld volgens EN62841-4-2:

Trillingsemissie (a_h): 2,5 m/s² of lager

Onzekerheid (K): 1,5 m/s²

ENG901-2

- De totale trillingswaarde(n) is/zijn gemeten volgens een standaardtestmethode en kan/kunnen worden gebruikt om dit gereedschap te vergelijken met andere gereedschappen.
- De opgegeven totale trillingswaarde(n) kan/kunnen ook worden gebruikt voor een beoordeling vooraf van de blootstelling.

WAARSCHUWING:

- **De trillingsemissie tijdens het gebruik van het elektrisch gereedschap in de praktijk kan verschillen van de opgegeven waarde(n) afhankelijk van de manier waarop het gereedschap wordt gebruikt, met name van het soort werkstuk waarmee wordt gewerkt.**
- **Zorg ervoor dat veiligheidsmaatregelen worden getroffen ter bescherming van de gebruiker die zijn gebaseerd op een schatting van de blootstelling onder praktijkomstandigheden (rekening houdend met alle fasen van de bedrijfscyclus, zoals de tijdsduur gedurende welke het gereedschap is uitgeschakeld en stationair draait, naast de ingeschakelde tijdsduur).**

ESPAÑOL (Instrucciones originales)

Explicación de los dibujos

- | | | |
|-----------------------------|---|-----------------------------|
| 1. Indicador rojo | 14. Superficie del seto que se desea cortar | 25. Desbloquee los ganchos |
| 2. Botón | 15. Incline las cuchillas | 26. Tornillos |
| 3. Cartucho de la batería | 16. Cuerda | 27. Cubierta inferior |
| 4. Marca de estrella | 17. Pulse | 28. Esponja |
| 5. Luces indicadoras | 18. Receptor de virutas | 29. Arandela |
| 6. Botón de comprobación | 19. Tuerca | 30. Engranaje |
| 7. Interruptor disparador A | 20. Cuchilla de corte | 31. Casquillos |
| 8. Interruptor disparador B | 21. Ganchos | 32. Ranura |
| 9. Botón de desbloqueo | 22. Encaje los ganchos en la ranura | 33. Cubierta de la cuchilla |
| 10. Luz indicadora | 23. Ranuras | 34. Grasa |
| 11. Altura de corte | 24. Pulse las palancas en ambos lados | 35. Cuchilla |
| 12. 10 cm | | |
| 13. Dirección de corte | | |

ESPECIFICACIONES

Modelo	DUH483	DUH523
Longitud de la cuchilla	480 mm	520 mm
Carreras por minuto (min ⁻¹)	1.350	
Tensión nominal	18 V CC	
Longitud total (Dependiendo de la batería)	873 - 888 mm	923 - 938 mm
Peso neto	3,0 - 3,3 kg	3,0 - 3,4 kg

- Debido a nuestro programa continuo de investigación y desarrollo, las especificaciones aquí descritas están sujetas a cambios sin previo aviso.
- Las especificaciones pueden ser diferentes de un país a otro.
- El peso puede diferir en función de los accesorios, incluyendo el cartucho de la batería. En la tabla se muestran la combinación más ligera y la más pesada, de acuerdo con el Procedimiento EPTA 01/2014.

Cargador y cartucho de la batería aplicable

Cartucho de la batería	BL1815N/BL1820B/BL1830B/BL1840B/BL1850B/BL1860B
Cargador	DC18RC/DC18RD/DC18RE/DC18SD/DC18SE/DC18SF/DC18SH

- Es posible que algunos de los cartuchos de la batería y los cargadores que se muestran más arriba no estén disponibles, en función de su región de residencia.

ADVERTENCIA:

- **Utilice solo los cartuchos de la batería y los cargadores que se muestran más arriba.** El uso de cualquier otro cartucho de la batería y otros cargadores puede crear un riesgo de lesiones y/o incendio.

Adaptador de batería recomendado

Adaptadora de Batería	PDC01
-----------------------	-------

- El adaptador o adaptadores de batería indicados arriba puede que no estén disponibles dependiendo de su región de residencia.
- Antes de utilizar el adaptador de batería, lea las instrucciones e indicaciones de precaución sobre el adaptador de batería.

Símbolo

END013-6

Se utilizan los siguientes símbolos para el equipo. Asegúrese de que comprende su significado antes del uso.



..... Póngase protección para ojos.



..... PELIGRO - Mantenga las manos alejadas de la cuchilla.



..... Sólo para países de la Unión Europea
¡No deseche el aparato eléctrico o la batería junto con los residuos



..... Lea el manual de instrucciones.



..... No la exponga a la humedad.

domésticos!
De conformidad con la Directiva Europea sobre residuos de aparatos eléctricos y electrónicos, y sobre baterías y acumuladores y el desecho de baterías y acumuladores y su aplicación de acuerdo con la legislación nacional, la herramienta eléctrica y las baterías y paquetes de baterías cuya vida útil haya llegado a su fin se deberán recoger por separado y trasladar a una planta de reciclaje que cumpla con las exigencias ecológicas.


Uso previsto

ENE014-1

La herramienta está diseñada para cortar setos.

Advertencias de seguridad para herramientas eléctricas en general

GEA010-2

 **ADVERTENCIA:** Lea todas las advertencias de seguridad, instrucciones, ilustraciones y especificaciones provistas con esta herramienta eléctrica. Si no sigue todas las instrucciones indicadas abajo podrá resultar en una descarga eléctrica, un incendio y/o heridas graves.

Guarde todas las advertencias e instrucciones para futuras referencias.

El término "herramienta eléctrica" en las advertencias se refiere a su herramienta eléctrica de funcionamiento con conexión a la red eléctrica (con cable) o herramienta eléctrica de funcionamiento a batería (sin cable).

Advertencias de seguridad para el cortasetos inalámbrico

GEB215-2

1. **Mantenga todas las partes del cuerpo alejadas de la cuchilla. No retire el material cortado o sujete el material que va a cortar cuando las cuchillas estén moviéndose.** Las cuchillas siguen moviéndose después de desactivar el interruptor. Un momento de inatención mientras está operando el cortasetos puede resultar en heridas personales graves.
2. **Transporte el cortasetos agarrándolo por el mango con la cuchilla parada y teniendo cuidado de no activar ningún interruptor de alimentación.** Un transporte correcto del cortasetos disminuirá el riesgo de una puesta en marcha involuntaria que podría resultar en heridas personales con las cuchillas.
3. **Cuando transporte o almacene el cortasetos, coloque siempre la cubierta de las cuchillas.** Un manejo correcto del cortasetos disminuirá el riesgo de heridas personales con las cuchillas.
4. **Cuando retire material atascado o haga el servicio a la unidad, asegúrese de que todos los**

interruptores de alimentación están desactivados y la batería ha sido retirada o desconectada. Una puesta en marcha del cortasetos mientras retira material atascado o hace el servicio podrá resultar en heridas personales graves.

5. **Sujete el cortasetos por las superficies de asimiento aisladas solamente, porque la cuchilla puede entrar en contacto con cableado oculto.** El contacto de las cuchillas con un cable con corriente hará que la corriente circule por las partes metálicas expuestas del cortasetos y podrá soltar una descarga eléctrica al operario.
6. **Mantenga todos los cables de alimentación y otros cables alejados del área de corte.** Puede haber cables de alimentación u otros cables ocultos en los setos o arbustos y la cuchilla puede cortarlos accidentalmente.
7. **No utilice el cortasetos en malas condiciones meteorológicas, especialmente cuando haya riesgo de relámpagos.** Esto disminuirá el riesgo de sufrir el impacto de un rayo.

Instrucciones de seguridad adicionales

Preparación

1. **Compruebe los setos y arbustos por si tienen objetos extraños, tal como cercas alambradas o cables ocultos antes de utilizar la herramienta.**
2. **La herramienta no debe ser utilizada por niños o personas jóvenes de menos de 18 años de edad.** Las personas jóvenes de más de 16 años de edad pueden excluirse de esta restricción si están recibiendo preparación bajo la supervisión de un experto.
3. **A los primerizos, un usuario con experiencia deberá enseñarles cómo utilizar la herramienta.**
4. **Utilice la herramienta solamente si se encuentra en buen estado físico.** Si está cansado, su atención se reducirá. Tenga cuidado especial al final de la jornada laboral. Realice todo el trabajo con calma y con cuidado. El usuario es responsable de todos los daños causados a terceros.
5. **No utilice nunca la herramienta cuando esté bajo la influencia de alcohol, drogas o medicamento.**
6. **Los guantes de trabajo de cuero resistente son parte del equipo básico de la herramienta y se deben llevar puestos siempre que se trabaje con ella. Póngase también zapatos robustos con suelas antideslizantes.**
7. **Antes de comenzar el trabajo, compruebe para asegurarse de que la herramienta está en buen estado de funcionamiento y que se puede usar con seguridad. Asegúrese de que los protectores están colocados firmemente. La herramienta no debe ser utilizada a menos que esté totalmente ensamblada.**

Operación

1. **Sujete la herramienta firmemente con ambas manos cuando la esté utilizando.**
2. **La herramienta ha sido prevista para ser utilizada por el operario a nivel del suelo. No utilice la herramienta en escaleras de mano ni en ningún otro apoyo inestable.**

3. **PELIGRO - Mantenga las manos alejadas de la cuchilla.** El contacto con la cuchilla provocará heridas personales graves.
4. **No utilice la herramienta en la lluvia ni en condiciones mojadas o muy húmedas.** El motor eléctrico no es a prueba de agua.
5. **Asegúrese de que tiene suelo firme antes de comenzar la operación.**
6. **No utilice la herramienta sin carga innecesariamente.**
7. **Apague la herramienta inmediatamente y retire el cartucho de batería si las cuchillas de tijeras entran en contacto con una valla u otro objeto duro.** Compruebe las cuchillas por si están dañadas, y si están dañadas, reemplace las cuchillas inmediatamente.
8. **Antes de comprobar las cuchillas de tijeras, ocuparse de los fallos, o de retirar material enganchado en las cuchillas de tijeras, apague siempre la herramienta y retire el cartucho de batería.**
9. **No dirija nunca las cuchillas de tijeras hacia usted u otros.**
10. **Si las cuchillas dejan de moverse debido al atasco de objetos extraños entre las cuchillas durante la operación, apague la herramienta y retire el cartucho de batería, y después retire los objetos extraños utilizando implementos como unos alicates.** Retirar los objetos extraños con la mano puede ocasionar heridas por el hecho de que las cuchillas pueden moverse como reacción al retirar los objetos extraños.
11. **Evite los entornos peligrosos. No utilice la herramienta en lugares húmedos o mojados ni la esponja a la lluvia.** La entrada de agua en la herramienta aumentará el riesgo de que se produzca una descarga eléctrica.

Mantenimiento y almacenamiento

1. **Apague la herramienta y retire el cartucho de batería antes de realizar cualquier trabajo de mantenimiento.**
2. **Cuando mueva la herramienta a otro lugar, incluyendo durante el trabajo, retire siempre el cartucho de batería y ponga la cubierta de las cuchillas en las cuchillas de tijeras.** No trasporte ni traslade nunca la herramienta con las cuchillas en movimiento. No agarre nunca las cuchillas con las manos.
3. **Limpie la herramienta y especialmente las cuchillas de tijeras después de la utilización, y antes de almacenar la herramienta durante periodos prolongados.** Enaceite ligeramente las cuchillas y ponga la cubierta de las cuchillas.
4. **Almacene la herramienta con la cubierta de las cuchillas puesta, en un cuarto seco.** Manténgalo alejado del alcance de los niños. No almacene nunca la herramienta en exteriores.
5. **No deseche la batería(s) arrojándola al fuego.** La célula puede explotar. Compruebe los códigos locales por si hay instrucciones para el posible desecho especial.
6. **No abra o mutile la batería(s).** El electrolito liberado es corrosivo y puede ocasionar daño a los ojos o la piel. Puede ser tóxico si se traga.

7. **No cargue la batería bajo la lluvia, o en lugares mojados.**

GUARDE ESTAS INSTRUCCIONES.

⚠ ADVERTENCIA:

NO deje que la comodidad o familiaridad con el producto (a base de utilizarlo repetidamente) sustituya la estricta observancia de las normas de seguridad para el producto en cuestión. El MAL USO o el no seguir las normas de seguridad establecidas en este manual de instrucciones podrá ocasionar heridas personales graves.

Instrucciones de seguridad importantes para el cartucho de batería

ENC007-16

1. **Antes de utilizar el cartucho de batería, lea todas las instrucciones e indicaciones de precaución sobre (1) el cargador de baterías, (2) la batería, y (3) el producto con el que se utiliza la batería.**
2. **No desensamble ni manipule el cartucho de batería.** Podrá resultar en un incendio, calor excesivo, o una explosión.
3. **Si el tiempo de uso se acorta demasiado, cese la operación inmediatamente.** Podría resultar en un riesgo de recalentamiento, posibles quemaduras e incluso una explosión.
4. **Si entra electrólito en sus ojos, aclárelos con agua limpia y acuda a un médico inmediatamente.** Existe el riesgo de poder perder la vista.
5. **No cortocircuite el cartucho de batería:**
 - (1) **No toque los terminales con ningún material conductor.**
 - (2) **Evite guardar el cartucho de batería en un cajón junto con otros objetos metálicos, como clavos, monedas, etc.**
 - (3) **No exponga el cartucho de batería al agua ni a la lluvia.**

Un cortocircuito en la batería puede producir una gran circulación de corriente, un recalentamiento, posibles quemaduras e incluso una rotura de la misma.

6. **No guarde ni utilice la herramienta y el cartucho de batería en lugares donde la temperatura pueda alcanzar o exceder los 50 °C.**
7. **Nunca incinere el cartucho de batería incluso en el caso de que esté dañado seriamente o ya no sirva en absoluto.** El cartucho de batería puede explotar si se tira al fuego.
8. **No clave, corte, aplaste, lance, deje caer el cartucho de batería, ni golpee contra un objeto duro el cartucho de batería.** Tal conducta podrá resultar en un incendio, calor excesivo, o una explosión.
9. **No utilice una batería dañada.**
10. **Las baterías de litio-ion contenidas están sujetas a los requisitos de la Legislación para Materiales Peligrosos.**
Para transportes comerciales, p.ej., por terceras personas y agentes de transportes, se deberán

observar requisitos especiales para el empaquetado y etiquetado.

Para la preparación del artículo que se va a enviar, se requiere consultar con un experto en materiales peligrosos. Por favor, observe también la posibilidad de reglamentos nacionales más detallados.

Cubra con cinta aislante o enmascare los contactos expuestos y empaquete la batería de tal manera que no se pueda mover alrededor dentro del embalaje.

11. **Para desechar el cartucho de batería, retírelo de la herramienta y deséchelo en un lugar seguro. Siga los reglamentos locales referentes al desecho de la batería.**
12. **Utilice las baterías solamente con los productos especificados por Makita.** La instalación de las baterías en productos no compatibles puede resultar en un incendio, calor excesivo, explosión, o fuga de electrolito.
13. **Si la herramienta no va a ser utilizada durante un período de tiempo largo, la batería deberá ser retirada de la herramienta.**
14. **Durante y después de la utilización, el cartucho de batería podrá acumular calor, lo cual puede ocasionar quemaduras o quemaduras de baja temperatura. Preste atención al manejo de cartuchos de batería calientes.**
15. **No toque el terminal de la herramienta inmediatamente después de utilizar, dado que puede calentarse lo suficiente como para ocasionar quemaduras.**
16. **No permita que virutas, polvo, o tierra se adhieran dentro de los terminales, orificios, y ranuras del cartucho de batería.** Podría resultar en un mal rendimiento o rotura de la herramienta o el cartucho de batería.
17. **A menos que la herramienta pueda utilizarse cerca de cables eléctricos de alta tensión, no utilice el cartucho de batería cerca de cables eléctricos de alta tensión.** Podrá resultar en un mal funcionamiento o rotura de la herramienta o el cartucho de batería.
18. **Mantenga la batería alejada de los niños.**

GUARDE ESTAS INSTRUCCIONES.

⚠ PRECAUCIÓN: Utilice solamente baterías genuinas de Makita. La utilización de baterías no genuinas de Makita, o baterías que han sido alteradas, puede resultar en una explosión de la batería ocasionando incendios, heridas personales y daños. También anulará la garantía de Makita para la herramienta y el cargador de Makita.

Consejos para alargar al máximo la vida de servicio de la batería

1. **Cargue el cartucho de batería antes de que se descargue completamente. Detenga siempre la operación y cargue el cartucho de batería cuando note menos potencia en la herramienta.**
2. **No cargue nunca un cartucho de batería que esté completamente cargado. La sobrecarga acortará la vida de servicio de la batería.**

3. **Cargue el cartucho de batería a temperatura ambiente de 10 °C - 40 °C. Si un cartucho de batería está caliente, déjelo enfriar antes de cargarlo.**
4. **Cuando no esté utilizando el cartucho de batería, retírelo de la herramienta o del cargador.**
5. **Cargue el cartucho de batería si no lo utiliza durante un periodo de tiempo prolongado (más de seis meses).**

DESCRIPCIÓN DEL FUNCIONAMIENTO

⚠ PRECAUCIÓN:

- Antes de ajustar o de comprobar la herramienta, asegúrese siempre de que está apagada y de que la batería ha sido extraída.

Instalación o extracción del cartucho de la batería (Fig. 1)

⚠ PRECAUCIÓN:

- Apague siempre la herramienta antes de instalar o extraer el cartucho de la batería.
- **Sujete la herramienta y el cartucho de la batería firmemente cuando instale o extraiga el cartucho de la batería.** Si no sujeta la herramienta y el cartucho de la batería firmemente, pueden resbalar de sus manos y pueden producirse daños en la herramienta o el cartucho de la batería, así como lesiones personales.

Para quitar el cartucho de la batería, mantenga pulsado el botón de la parte frontal del cartucho y retírelo.

Para instalar el cartucho de la batería, alinee la lengüeta situada en el cartucho de la batería con la ranura del alojamiento e insértela. Insértelo completamente hasta que quede firmemente encajado con un clic. Si puede ver el indicador rojo de la zona superior del botón, significa que el cartucho no está encajado completamente.

⚠ PRECAUCIÓN:

- Instale siempre completamente el cartucho de la batería de forma que el indicador rojo quede oculto. De lo contrario, el cartucho puede desprenderse accidentalmente de la herramienta y causar lesiones al operario o a alguna persona que se encuentre cerca.
- No presione excesivamente el cartucho de la batería para instalarlo. Si el cartucho no entra con suavidad, significa que no lo está instalando correctamente.

Sistema de protección de la batería (batería de iones de litio con una marca de estrella) (Fig. 2)

Las baterías de iones de litio con una marca de estrella están equipadas con un sistema de protección. Este sistema corta automáticamente la alimentación a la herramienta para ampliar la duración de la batería. La herramienta se detendrá automáticamente durante el funcionamiento si la herramienta y/o la batería se someten a los siguientes estados:

- Sobrecarga:
La herramienta se utiliza de una forma que hace que consuma una cantidad anormalmente alta de corriente.

En ese caso, suelte el interruptor disparador de la herramienta y detenga la aplicación que provocaba que la herramienta se sobrecargara. A continuación vuelva a accionar el interruptor disparador para reanudar las operaciones.

Si la herramienta no se pone en marcha, la batería se sobrecalienta. En ese caso, deje que la batería se enfríe antes de volver a accionar el interruptor disparador.

- Tensión de la batería baja:
La capacidad restante de la batería es demasiado baja y la herramienta no funcionará. En ese caso, extraiga y recargue la batería.

Luz indicadora (Fig. 5)

Mientras la herramienta está en funcionamiento la luz indicador muestra el estado de capacidad del cartucho de la batería.









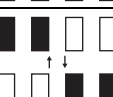
Cuando la herramienta también está sobrecargada y se ha detenido durante el funcionamiento, la luz se enciende de color rojo.

Consulte en la siguiente tabla el estado y la acción que se debe tomar para la luz indicadora.

Indicación de la capacidad restante de la batería

(Solo para cartuchos de la batería con "B" al final del número de modelo.) (Fig. 3)

Pulse el botón de comprobación del cartucho de la batería para indicar la capacidad restante de la batería. Las luces indicadoras se encienden durante unos segundos.

Luces indicadoras			Capacidad restante
 Iluminada	 Apagado	 Parpadea	
			75% a 100%
			50% a 75%
			25% a 50%
			0% a 25%
			Cargue la batería.
			Es posible que la batería se haya averiado.

015658

NOTA:

- En función de las condiciones de uso y de la temperatura ambiente, la indicación puede diferir ligeramente de la capacidad real.

Acción del gatillo interruptor

PRECAUCIÓN:

- Antes de insertar el cartucho de la batería en la herramienta, asegúrese siempre de que el interruptor disparador funciona como es debido y que vuelve a la posición "OFF" (apagado) al soltarlo. (Fig. 4)

Por su seguridad, esta herramienta está equipada con un sistema dual de interruptores. Para poner en marcha la herramienta, pulse el botón de desbloqueo de los disparadores A y B. Suelte cualquiera de los dos para apagarla. La secuencia de pulsación de los interruptores no es importante, ya que la herramienta solamente se pone en marcha cuando se activan dos interruptores.

Luz indicadora	Estado	Acción que debe realizarse
La luz parpadea de color rojo.	Indica el tiempo aproximado para reemplazar el cartucho de la batería cuando la carga de la batería está baja.	Recargue el cartucho de la batería lo antes posible.
La luz se enciende de color rojo. (Nota 1)	Esta función se activa cuando la carga de la batería casi se ha agotado. En ese caso, la herramienta se detiene inmediatamente.	Recargue el cartucho de la batería.
La luz se enciende de color rojo. (Nota 1)	Parada automática causada por una sobrecarga	Apague la herramienta.

Nota 1: El momento en el que se enciende la luz indicadora varía en función de la temperatura de la zona de trabajo y del estado del cartucho de la batería.

010970

FUNCIONAMIENTO

⚠ PRECAUCIÓN:

- Tenga cuidado de no entrar en contacto accidentalmente con una valla metálica u otros objetos duros mientras corta. La cuchilla puede romperse y causar lesiones graves.
- Intentar llegar demasiado lejos con un cortasetos, especialmente desde una escalera, es extremadamente peligroso. No trabaje desde ninguna superficie que se tambalee o no sea firme.

AVISO:

No intente cortar ramas de un grosor superior a 10 mm de diámetro con la herramienta. Corte las ramas 10 cm por debajo de la altura de corte usando unas tijeras de podar antes de usar la herramienta. (Fig. 6)

⚠ PRECAUCIÓN:

- No corte árboles muertos u objetos duros similares. De lo contrario, podría dañar la herramienta. (Fig. 7)
- Sujete el cortasetos con ambas manos, tire de los interruptores disparadores A y B y después muévelo por delante de su cuerpo. (Fig. 8)

Como operación de manejo básica, incline las cuchillas en la dirección de corte y mueva el cortasetos tranquilamente y suavemente a una velocidad de 3 - 4 segundos por metro. (Fig. 9)

Para cortar de forma uniforme la parte superior de un seto, resulta de ayuda atar una cuerda a la altura deseada del seto y cortar a lo largo de ella, usándola como referencia. (Fig. 10)

Si se acopla el receptor de virutas (accesorio opcional) en la herramienta cuando se corta el seto de forma recta, se puede evitar que las hojas salgan despedidas. (Fig. 11)

Para cortar el lateral de un seto de forma uniforme, resulta útil cortar desde la parte inferior hacia arriba. (Fig. 12)

Corte madera de boj o rododendro desde la base hacia la parte superior para lograr un aspecto atractivo y un buen trabajo.

Instalación o extracción del receptor de virutas (accesorio opcional)

⚠ PRECAUCIÓN:

- Asegúrese siempre de que la herramienta esté apagada y desenchufada antes de instalar o extraer el receptor de virutas.

NOTA:

- Siempre que reemplace el receptor de virutas, utilice guantes para que las manos y la cara no entren en contacto con la cuchilla. De lo contrario, puede sufrir lesiones personales.
- Asegúrese siempre de que se haya retirado la cubierta de la cuchilla antes de instalar el receptor de virutas.
- El receptor de virutas recibe hojas cortadas y ayuda a recoger las hojas que salen despedidas. Puede instalarse en cualquier lado de la herramienta. (Fig. 13)

Ejerza presión sobre el receptor de virutas en las cuchillas de forma que sus hendiduras se solapen con las tuercas de las cuchillas. (Fig. 14)

A continuación, el receptor de virutas debe instalarse de forma que sus ganchos encajen en las ranuras de la unidad de la cuchilla. (Fig. 15)

Para extraer el receptor de virutas, pulse sus palancas en ambos lados de forma que los ganchos estén desbloqueados.

⚠ PRECAUCIÓN:

- La cubierta de la cuchilla (equipo estándar) no se puede instalar en la herramienta con el receptor de virutas instalado. Antes de transportar o almacenar la herramienta, desinstale el receptor de virutas e instale la cubierta de la cuchilla para evitar la exposición de la cuchilla.

NOTA:

- Compruebe si el receptor de virutas está correctamente instalado antes de su uso.
- Nunca intente desinstalar el receptor de virutas aplicando una fuerza excesiva sobre sus ganchos bloqueados en las ranuras de la unidad de la cuchilla. El uso de una fuerza excesiva puede dañarlo.

MANTENIMIENTO

⚠ PRECAUCIÓN:

- Asegúrese de apagar siempre la herramienta y extraer el cartucho de la batería antes de intentar realizar cualquier trabajo de inspección o mantenimiento en ella.

Limpieza de la herramienta

Limpie la herramienta eliminando la suciedad con un trapo húmedo o empapado en jabón.

PRECAUCIÓN:

- Nunca utilice gasolina, benceno, disolvente, alcohol o un producto similar. Se puede provocar una decoloración, una deformación o grietas.

Mantenimiento de la cuchilla

Engrase la cuchilla antes de su uso, y una vez por hora durante su uso, con aceite para máquina o un producto similar.

NOTA:

- Antes de engrasar la cuchilla, extraiga el receptor de virutas.

Tras su uso, elimine la suciedad de ambos lados de la cuchilla con un cepillo de alambre, límpiela con un trapo y después aplique suficiente aceite de baja viscosidad, como aceite para máquina, etc. y aceite lubricante en aerosol.

PRECAUCIÓN:

- No limpie las cuchillas con agua. En caso contrario se pueden provocar daños o herrumbre en la herramienta.

Extracción o instalación de la cuchilla de corte

PRECAUCIÓN:

- Antes de extraer o instalar la cuchilla de corte, asegúrese siempre de que la herramienta esté apagada y que se haya extraído el cartucho de la batería.
- Siempre que reemplace la cuchilla, póngase guantes sin extraer la cubierta de la cuchilla para que las manos y la cara no entren en contacto con la cuchilla. De lo contrario, puede sufrir lesiones personales.

NOTA:

- No limpie la grasa de los engranajes o del cigüeñal. De lo contrario, podría dañar la herramienta.

Extracción de las cuchillas de corte (Fig. 16)

Dé la vuelta a la herramienta, afloje los cuatro tornillos y extraiga la cubierta inferior.

NOTA:

- Tenga cuidado de no ensuciarse las manos cuando aplique grasa en el área de empuje de la cuchilla. (Fig. 17)

Afloje los cuatro tornillos y extraiga las cuchillas. Retire la arandela y la esponja de las cuchillas y déjelas a un lado. Se necesitarán para la instalación posterior. (Fig. 18)

Si los casquillos aún se encuentran en los orificios del engranaje, retire el engranaje y extraiga los casquillos con un destornillador o un elemento similar.

NOTA:

La arandela que se encuentra debajo del engranaje se puede desprender por error cuando se extrae el engranaje. En ese caso, devuélvala a su posición de instalación original.

Instalación de la cuchilla de corte (Fig. 19)

Extraiga la cubierta de la cuchilla de las cuchillas usadas y encájela en las nuevas para evitar el contacto con las cuchillas. (Fig. 20)

Ajuste las posiciones de los orificios girando el engranaje tal y como se muestra en la ilustración. (Fig. 21 y 22)

Aplique grasa proporcionada con las nuevas cuchillas tal y como se muestra en la ilustración. (Fig. 23)

Coloque la esponja extraída en la misma posición que la antigua. Asegúrese de que los casquillos proporcionados con las nuevas cuchillas se coloquen en los salientes de la cuchilla. Coloque las nuevas cuchillas en la herramienta de forma que los salientes encajen en los orificios del engranaje. Si los casquillos se desprenden de los salientes accidentalmente, póngalos en los orificios del engranaje previamente. (Fig. 24)

Instale la cuchilla, apriete los cuatro tornillos y coloque la arandela extraída en la misma posición que la antigua. (Fig. 25)

Instale la cubierta inferior en la herramienta y apriete los cuatro tornillos firmemente.

Almacenamiento

El orificio para ganchos de la parte inferior de la herramienta es útil para colgar la herramienta de un clavo o un tornillo en la pared. (Fig. 26)

Extraiga el cartucho de la batería y coloque la cubierta de la cuchilla en las cuchillas para que no queden expuestas. Guarde la herramienta con cuidado fuera del alcance de los niños.

Guarde la herramienta en un lugar que no esté expuesto al agua y la lluvia.

Para mantener la SEGURIDAD y la FIABILIDAD del producto, las reparaciones y cualquier otra tarea de mantenimiento o ajuste deberán ser realizadas en centros de servicio autorizados por Makita, utilizando siempre repuestos Makita.

ACCESORIOS OPCIONALES

PRECAUCIÓN:

- Se recomienda el uso de estos accesorios o complementos con la herramienta Makita especificada en este manual. El uso de otros accesorios o complementos puede conllevar el riesgo de ocasionar daños corporales. Utilice los accesorios o complementos solamente para su fin establecido.

Si necesita cualquier ayuda para obtener más información relativa a estos accesorios, pregunte a su centro de servicio Makita local.

- Cubierta de la cuchilla
- Ensamblado de cuchilla de corte
- Batería y cargador originales de Makita
- Receptor de virutas

NOTA:

- Algunos elementos de la lista se pueden incluir en el paquete de la herramienta como accesorios estándar. Pueden ser diferentes de un país a otro.

Ruido

ENG905-1

Niveles típicos de ruido ponderado A determinados conforme a EN62841-4-2:

Modelo DUH483

Nivel de presión de sonido (L_{pA}): 73 dB (A)

Incertidumbre (K): 3,9 dB (A)

El nivel de ruido durante el trabajo puede superar los 80 dB (A).

Modelo DUH523

Nivel de presión de sonido (L_{pA}): 73 dB (A)

Incertidumbre (K): 4,3 dB (A)

El nivel de ruido durante el trabajo puede superar los 80 dB (A).

ENG907-1

- El valor (o los valores) de emisión de ruido declarado ha sido medido de acuerdo con un método de prueba estándar y se puede utilizar para comparar una herramienta con otra.
- El valor (o valores) de emisión de ruido declarado también se puede utilizar en una valoración preliminar de exposición.

ADVERTENCIA:

- **Póngase protectores para oídos.**
- **La emisión de ruido durante la utilización real de la herramienta eléctrica puede variar del valor (o los valores) de emisión declarado dependiendo de las formas en las que la herramienta sea utilizada, especialmente qué tipo de pieza de trabajo se procesa.**
- **Asegúrese de identificar medidas de seguridad para proteger al operario que estén basadas en una estimación de la exposición en las condiciones reales de utilización (teniendo en cuenta todas las partes del ciclo operativo como las veces cuando la herramienta está apagada y cuando está funcionando en vacío además del tiempo de gatillo).**

Vibración

ENG900-1

Valor total de la vibración (suma de vectores triaxiales) determinado conforme a EN62841-4-2:

Emisión de vibraciones (a_h): 2,5 m/s² o menos

Incertidumbre (K): 1,5 m/s²

ENG901-2

- El valor (o los valores) total de emisión de vibración declarado ha sido medido de acuerdo con un método de prueba estándar y se puede utilizar para comparar una herramienta con otra.
- El valor (o los valores) total de emisión de vibración declarado también se puede utilizar en una valoración preliminar de exposición.

ADVERTENCIA:

- **La emisión de vibración durante la utilización real de la herramienta eléctrica puede variar del valor (o los valores) de emisión declarado dependiendo de las formas en las que la herramienta sea utilizada, especialmente qué tipo de pieza de trabajo se procesa.**
- **Asegúrese de identificar medidas de seguridad para proteger al operario que estén basadas en una estimación de la exposición en las condiciones reales de utilización (teniendo en cuenta todas las partes del ciclo operativo como las veces cuando la herramienta está apagada y cuando está funcionando en vacío además del tiempo de gatillo).**

Declaración de conformidad de la CE

Sólo para países europeos

La Declaración de conformidad de la CE se incluye como Anexo A en este manual de instrucciones.

PORTUGUÊS (Instruções de origem)

Descrição geral

- | | | |
|--------------------------|--|-------------------------|
| 1. Indicador vermelho | 14. Superfície da sebe a aparar | 26. Parafusos |
| 2. Botão | 15. Incline as lâminas | 27. Cobertura inferior |
| 3. Bateria | 16. Fio | 28. Esponja |
| 4. Marca de estrela | 17. Pressione | 29. Anilha |
| 5. Lâmpadas indicadoras | 18. Receptor de chip | 30. Engrenagem |
| 6. Botão de verificação | 19. Porca | 31. Mangas |
| 7. Gatilho A | 20. Lâmina da tesoura | 32. Ranhura |
| 8. Gatilho B | 21. Ganchos | 33. Cobertura da lâmina |
| 9. Botão de bloqueio | 22. Instale os ganchos na ranhura | 34. Massa lubrificante |
| 10. Luz indicadora | 23. Ranhuras | 35. Lâmina |
| 11. Altura de corte | 24. Pressione as alavancas em ambos os lados | |
| 12. 10 cm | 25. Desbloqueie os ganchos | |
| 13. Direcção da aparagem | | |

ESPECIFICAÇÕES

Modelo	DUH483	DUH523
Comprimento da lâmina	480 mm	520 mm
Cortes por minuto (min ⁻¹)	1.350	
Tensão nominal	D.C.18 V	
Comprimento total (Consoante a bateria)	873 - 888 mm	923 - 938 mm
Peso líquido	3,0 - 3,3 kg	3,0 - 3,4 kg

- Devido à pesquisa e desenvolvimento constantes, estas especificações estão sujeitas a alteração sem aviso prévio.
- Estas especificações podem diferir de país para país.
- O peso pode variar dependendo do(s) acessório(s), incluindo a bateria. A combinação mais leve e a mais pesada, de acordo com o procedimento EPTA 01/2014, são apresentadas na tabela.

Bateria e carregador aplicáveis

Bateria	BL1815N/BL1820B/BL1830B/BL1840B/BL1850B/BL1860B
Carregador	DC18RC/DC18RD/DC18RE/DC18SD/DC18SE/DC18SF/DC18SH

- Algumas baterias e carregadores indicados acima podem não estar disponíveis consoante a região de residência.

AVISO:

- **Utilize apenas os tipos de bateria e carregador indicados acima.** A utilização de qualquer outra bateria ou carregador pode criar um risco de ferimentos e/ou incêndios.

Adaptador da bateria recomendado

Adaptador de Bateria	PDC01
----------------------	-------

- Os adaptadores da bateria listados acima poderão não estar disponíveis, dependendo da sua região de residência.
- Antes de utilizar o adaptador da bateria, leia as instruções e etiquetas de precaução no adaptador da bateria.

Símbolo

END013-6

Descrição dos símbolos utilizados no equipamento.

Certifique-se de que compreende o seu significado, antes da utilização.



.....PERIGO - Mantenha as mãos afastadas da lâmina.



.....Apenas para países da UE



..... Leia o manual de instruções.



..... Não exponha à humidade.



..... Use proteção para os olhos.

Não deite equipamentos eléctricos ou a bateria no lixo doméstico!

De acordo com as directivas europeias sobre ferramentas eléctricas e electrónicas usadas e baterias, acumuladores e baterias usadas e a sua aplicação em conformidade com as leis nacionais, as ferramentas

eléctricas, as baterias e conjuntos usados devem ser recolhidos em separado e encaminhados para uma instalação de reciclagem dos materiais ecológicos.

Utilização prevista

ENE014-1

A ferramenta destina-se a aparar cercas vivas.

Avisos gerais de segurança para ferramentas eléctricas

GEA010-2

⚠ AVISO: Leia todos os avisos de segurança, instruções, ilustrações e especificações fornecidos com esta ferramenta eléctrica. O não cumprimento de todas as instruções indicadas em baixo pode resultar em choque eléctrico, incêndio e/ou ferimentos graves.

Guarde todos os avisos e instruções para futuras referências.

O termo "ferramenta eléctrica" nos avisos refere-se às ferramentas eléctricas ligadas à corrente eléctrica (com cabo) ou às ferramentas eléctricas operadas por meio de bateria (sem cabo).

Avisos de Segurança para o Aparador De Cerca Viva a Bateria

GEB215-2

1. **Mantenha todas as partes do corpo afastadas da lâmina. Não remova material cortado nem segure material a cortar quando as lâminas estiverem em movimento.** As lâminas continuam a mover-se depois de desligar o interruptor. Um momento de desatenção durante a operação do aparador de cerca viva pode resultar em ferimentos pessoais graves.
2. **Transporte o aparador de cerca viva segurando a pega com a lâmina imobilizada e tendo cuidado para não operar qualquer interruptor de alimentação.** O transporte apropriado do aparador de cerca viva reduz o risco de arranque inadvertido e consequentes ferimentos pessoais resultantes das lâminas.
3. **Quando transportar ou guardar o aparador de cerca viva, coloque sempre a tampa da lâmina.** O manuseamento apropriado do aparador de cerca viva reduz o risco de ferimentos pessoais resultantes das lâminas.
4. **Quando desimpedir material encravado ou realizar a manutenção da unidade, certifique-se de que todos os interruptores de alimentação estão desligados e que o conjunto de baterias foi removido ou está desligado.** A atuação inesperada do aparador de cerca viva, ao desimpedir material encravado ou realizar a manutenção, pode resultar em ferimentos pessoais graves.
5. **Segure o aparador de cerca viva apenas pelas superfícies de agarrar isoladas, porque a lâmina poderá tocar em fios ocultos.** O contacto das

lâminas com um fio sob tensão pode colocar sob tensão as peças metálicas expostas do aparador de cerca viva e pode provocar um choque eléctrico no operador.

6. **Mantenha todos os cabos de alimentação afastados da área de corte.** Os cabos de alimentação podem estar ocultos em sebes ou arbustos e podem ser acidentalmente cortados pela lâmina.
7. **Não utilize o aparador de cerca viva em más condições atmosféricas, especialmente quando existe o risco de relâmpagos.** Isto reduz o risco de ser atingido por um relâmpago.

Instruções de segurança adicionais

Preparação

1. **Verifique as sebes e os arbustos quanto a objetos estranhos, tais como cercas de arame ou fios ocultos antes de utilizar a ferramenta.**
2. **A ferramenta não deve ser utilizada por crianças ou jovens com idade inferior a 18 anos.** Os jovens com mais de 16 anos poderão estar isentos desta restrição se estiverem a receber formação sob a supervisão de um utilizador experiente.
3. **As pessoas que utilizam a ferramenta pela primeira vez devem ser instruídas por um utilizador experiente capaz de lhes demonstrar como utilizar a ferramenta.**
4. **Utilize a ferramenta apenas se estiver em boas condições físicas.** Se estiver cansado, a sua atenção será reduzida. Tenha especial atenção no final de um dia de trabalho. Realize todo o trabalho com calma e cuidado. O utilizador é responsável por todos os danos causados a terceiros.
5. **Nunca utilize a ferramenta se estiver sob a influência de álcool, drogas ou medicamentos.**
6. **As luvas de trabalho de couro robusto fazem parte do equipamento básico da ferramenta e têm de ser sempre usadas quando trabalhar com a mesma. Use sempre calçado robusto com solas antideslizantes.**
7. **Antes de iniciar o trabalho, certifique-se de que a ferramenta apresenta condições de trabalho adequadas e seguras. Assegure que os resguardos estão corretamente instalados. A ferramenta não deve ser utilizada se não estiver completamente montada.**

Operação

1. **Segure a ferramenta firmemente com as duas mãos durante a sua utilização.**
2. **A ferramenta destina-se a ser utilizada pelo operador ao nível do chão. Não utilize a ferramenta em escadas ou em qualquer outro apoio instável.**
3. **PERIGO - Mantenha as mãos afastadas da lâmina.** O contacto com a lâmina resultará em lesões físicas graves.
4. **Não utilize a ferramenta sob precipitação ou em condições chuvosas ou de muita humidade.** O motor eléctrico não é estanque.
5. **Certifique-se de que usou uma posição segura antes de iniciar a operação.**

6. Não opere a ferramenta sem carga desnecessariamente.
7. Desligue imediatamente a ferramenta e retire a bateria se as lâminas de corte entrarem em contacto com uma cerca ou outro objeto duro. Verifique se as lâminas estão danificadas e, caso se encontrem danificadas, substitua-as imediatamente.
8. Antes de verificar as lâminas de corte, reparar avarias ou remover material preso nas lâminas de corte, desligue sempre a ferramenta e remova a bateria.
9. Nunca aponte as lâminas de corte na sua direção ou na direção de terceiros.
10. Se as lâminas pararem devido ao encravamento de objetos estranhos entre as lâminas durante o funcionamento, desligue a ferramenta e remova a bateria e, em seguida, remova os objetos estranhos utilizando ferramentas, tais como um alicate. A remoção manual dos objetos estranhos pode causar ferimentos, uma vez que as lâminas podem mover-se como reação à remoção dos objetos estranhos.
11. Evite ambientes perigosos. Não utilize a ferramenta em locais húmidos ou molhados, nem a exponha à chuva. A água que entra na ferramenta aumenta o risco de choque elétrico.

Manutenção e armazenamento

1. Desligue a ferramenta e remova a bateria antes de realizar qualquer trabalho de manutenção.
2. Quando mover a ferramenta para outro local, incluindo durante o trabalho, remova sempre a bateria e coloque a tampa da lâmina nas lâminas de corte. Nunca mova nem transporte a ferramenta com as lâminas em funcionamento. Nunca agarre as lâminas com as mãos.
3. Limpe a ferramenta, e especialmente as lâminas de corte, após a utilização e antes de armazenar a ferramenta por períodos prolongados. Lubrifique ligeiramente as lâminas e coloque a tampa da lâmina.
4. Guarde a ferramenta com a tampa da lâmina colocada num local seco. Mantenha-o fora do alcance das crianças. Nunca guarde a ferramenta em espaços exteriores.
5. Não elimine a(s) bateria(s) no fogo. A célula pode explodir. Verifique com os códigos locais as possíveis instruções de eliminação especiais.
6. Não abra nem mutila a(s) bateria(s). O eletrólito libertado é corrosivo e pode provocar danos nos olhos ou na pele. Pode ser tóxico se for engolido.
7. Não carregue a bateria sob chuva ou em locais húmidos.

GUARDE ESTAS INSTRUÇÕES.

AVISO:

NÃO permita que conforto ou familiaridade com o produto (adquirido com o uso repetido) substitua a aderência estrita às regras de segurança da ferramenta. MÁ INTERPRETAÇÃO ou não seguimento das regras de segurança estabelecidas neste manual de instruções pode causar danos pessoais sérios.

Instruções de segurança importantes para a bateria ENC007-16

1. Antes de utilizar a bateria, leia todas as instruções e etiquetas de precaução no (1) carregador de bateria (2) bateria e (3) produto que utiliza a bateria.
2. Não desmonte ou manipule a bateria. Pode resultar num incêndio, em calor excessivo ou numa explosão.
3. Se o tempo de funcionamento se tornar excessivamente curto, pare o funcionamento imediatamente. Pode resultar em sobreaquecimento, possíveis queimaduras e mesmo explosão.
4. Se entrar eletrólito nos seus olhos, lave-os com água e consulte imediatamente um médico. Pode resultar em perda de visão.
5. Não coloque a bateria em curto-circuito:
 - (1) Não toque nos terminais com qualquer material condutor.
 - (2) Evite guardar a bateria juntamente com outros objetos metálicos tais como pregos, moedas, etc.
 - (3) Não exponha a bateria à água ou chuva. Um curto-circuito pode ocasionar um enorme fluxo de corrente, sobreaquecimento, possíveis queimaduras e mesmo estragar-se.
6. Não guarde nem utilize a ferramenta e a bateria em locais onde a temperatura pode atingir ou exceder 50 °C.
7. Não queime a bateria mesmo que esteja estragada ou completamente gasta. A bateria pode explodir no fogo.
8. Não pregue, corte, esmague, atire, deixe cair a bateria, nem bata a bateria contra um objeto rijo. Esta conduta pode resultar num incêndio, em calor excessivo ou numa explosão.
9. Não utilize uma bateria danificada.
10. As baterias de íões de lítio contidas na ferramenta são sujeitas aos requisitos da DGL (Dangerous Goods Legislation - Legislação de bens perigosos).
Para o transporte comercial, por exemplo, por terceiros ou agentes de expedição, têm de ser observados os requisitos referentes à embalagem e etiquetagem.
Para preparação do artigo a ser expedido, é necessário consultar um perito em materiais perigosos. Tenha ainda em conta a possibilidade de existirem regulamentos nacionais mais detalhados. Coloque fita-cola ou tape os contactos abertos e embale a bateria de tal forma que não possa mover-se dentro da embalagem.
11. Quando eliminar a bateria, remova-a da ferramenta e elimine-a num local seguro. Siga os regulamentos locais relacionados com a eliminação de baterias.
12. Utilize as baterias apenas com os produtos especificados pela Makita. Instalar as baterias em produtos não-conformes poderá resultar num incêndio, calor excessivo, explosão ou fuga de eletrólito.

13. Se a ferramenta não for utilizada durante um período de tempo prolongado, a bateria deve ser removida da ferramenta.
14. Durante e após a utilização, a bateria pode aquecer, o que pode provocar queimaduras ou queimaduras a baixa temperatura. Preste atenção ao manuseamento de baterias quentes.
15. Não toque no terminal da ferramenta imediatamente após a utilização, pois pode ficar suficientemente quente para provocar queimaduras.
16. Não permita a adesão de aparas, pó ou sujidade nos terminais, nos orifícios e nas ranhuras da bateria. Pode resultar no fraco desempenho ou na avaria da ferramenta ou bateria.
17. A menos que a ferramenta suporte a utilização perto de linhas elétricas de alta tensão, não utilize a bateria perto de linhas elétricas de alta tensão. Pode resultar no mau funcionamento ou na avaria da ferramenta ou bateria.
18. Mantenha a bateria afastada das crianças.

GUARDE ESTAS INSTRUÇÕES.

⚠ PRECAUÇÃO: Utilize apenas baterias genuínas da Makita. A utilização de baterias não genuínas da Makita ou de baterias que foram alteradas, pode resultar no rebentamento da bateria provocando incêndios, ferimentos pessoais e danos. Além disso, anulará da garantia da Makita no que se refere à ferramenta e ao carregador Makita.

Conselhos para manter a máxima vida útil da bateria

1. Carregue a bateria antes que esteja completamente descarregada. Pare sempre o funcionamento da ferramenta e carregue a bateria quando notar menos poder na ferramenta.
2. Nunca carregue uma bateria completamente carregada. Carregamento excessivo diminui a vida útil da bateria.
3. Carregue a bateria à temperatura ambiente de 10°C – 40°C. Deixe que uma bateria quente arrefeça antes de a carregar.
4. Quando não utilizar a bateria, remova-a da ferramenta ou do carregador.
5. Carregue a bateria se não a utilizar durante um longo período de tempo (mais de seis meses).

DESCRIÇÃO DO FUNCIONAMENTO

⚠ PRECAUÇÃO:

- Certifique-se sempre de que a ferramenta está desligada e que a bateria foi removida antes de proceder a ajustes ou testar acessórios.

Inserir ou retirar a bateria (Fig. 1)

⚠ PRECAUÇÃO:

- Desligue sempre a ferramenta antes de instalar ou retirar a bateria.
- **Segure bem a ferramenta e a bateria quando instalar ou retirar a bateria.** Se não segurar bem a

ferramenta e a bateria, pode fazer com que caiam das mãos e provoquem danos na ferramenta e na bateria e ferimentos pessoais.

Para retirar a bateria, mantenha premido o botão na frente da bateria e puxe.

Para colocar a bateria, alinhe a respectiva saliência com a calha do compartimento e encaixe-a suavemente. Insira-a completamente até fixar em posição com um clique. Se ainda estiver visível o indicador vermelho na parte superior do botão, não estará bem encaixado.

⚠ PRECAUÇÃO:

- Instale sempre a bateria completamente, até deixar de ver o indicador vermelho. Caso contrário, pode cair da ferramenta e causar ferimentos em si, ou em alguém que esteja perto de si.
- Não instale a bateria forçosamente. Se não encaixar facilmente é porque não está correctamente posicionada.

Sistema de protecção da bateria (Bateria de íões de lítio com uma marca de estrela) (Fig. 2)

As baterias de íões de lítio com uma marca de estrela estão equipadas com um sistema de protecção. Este sistema corta automaticamente a alimentação para prolongar a vida útil da bateria.

A ferramenta pára automaticamente durante o funcionamento quando a ferramenta e/ou bateria são colocadas numa das condições seguintes:

- **Sobrecarregada:**
A ferramenta é utilizada de tal forma que atrai uma corrente involuntariamente alta. Nesta situação, solte o gatilho da ferramenta e pare a aplicação que causou a sobrecarga. De seguida, prima novamente o gatilho para reiniciar. Se a ferramenta não ligar, a bateria está sobreaquecida. Nesta situação, deixe a bateria arrefecer antes de premir novamente o gatilho.
- **Tensão baixa da bateria:**
A carga restante da bateria é demasiado baixa e a ferramenta não funciona. Nesta situação, retire e recarregue a bateria.

Indicar a carga restante da bateria

(Apenas para baterias com “B” no final do número de modelo.) (Fig. 3)

Prima o botão de verificação na bateria para indicar a carga restante da bateria. As lâmpadas indicadoras acendem-se durante alguns segundos.

Lâmpadas indicadoras			Carga restante
Acesa	Apagada	Intermitente	
■	□	◐	75% a 100%
■	■	■	50% a 75%
■	■	□	25% a 50%
■	□	□	0% a 25%
◐	□	□	Carregue a bateria.
■	■	□	A bateria pode ter avariado.
□	□	■	

015658

NOTA:

- Consoante as condições de utilização e a temperatura ambiente, a indicação pode ser ligeiramente diferente da carga real.

Luz indicadora	Estado	Ação a efectuar
A luz pisca a vermelho	Isto indica o tempo adequado para substituir a bateria quando a carga da bateria estiver fraca.	Recarregue a bateria assim que possível.
A luz acende-se a vermelho. (Nota 1)	Esta função é activada quando a carga da bateria está praticamente gasta. A este ponto, a ferramenta pára imediatamente.	Recarregue a bateria.
A luz acende-se a vermelho. (Nota 1)	Paragem automática devido a sobrecarga	Desligue a ferramenta.

Nota 1: O momento em que a luz indicadora acende, varia de acordo com a temperatura em redor da área de trabalho e de acordo com as condições da bateria.

010970

FUNCIONAMENTO

⚠ PRECAUÇÃO:

- Tenha cuidado para não entrar em contacto, acidentalmente, com uma vedação de metal ou outros objectos duros ao aparar. A lâmina quebrará e poderá causar ferimentos graves.
- Estender-se com um aparador de cerca viva, especialmente de uma escada, é muito perigoso. Não trabalhe em cima de superfícies instáveis ou desequilibradas.

ATENÇÃO:

Não tente cortar ramos com um diâmetro superior a 10 mm com a ferramenta. Corte ramos para 10 cm abaixo da altura de corte utilizando tesouras de poda antes de utilizar a ferramenta. (Fig. 6)

⚠ PRECAUÇÃO:

- Não corte árvores mortas ou objectos duros semelhantes. Caso contrário poderá danificar a ferramenta. (Fig. 7)

Ação do interruptor

⚠ PRECAUÇÃO:

- Antes de inserir a bateria na ferramenta, verifique se o gatilho está a funcionar correctamente e se regressa à posição "OFF" quando o solta. (Fig. 4)

Para sua segurança, esta ferramenta está equipada com um sistema de ligação dupla. Para ligar a ferramenta, pressione o botão de bloqueio e pressione os gatilhos A e B. Solte um dos dois gatilhos pressionados para desligar. A sequência da ligação não é importante porque a ferramenta arranca apenas quando ambos os interruptores estiverem activados.

Luz indicadora (Fig. 5)

Colocar a ferramenta em funcionamento permite à luz indicadora mostrar o estado de capacidade da bateria. Além disso, quando a ferramenta é sobrecarregada e parou durante o funcionamento, a luz acende-se a vermelho.

Consulte a tabela seguinte para o estado e acção a tomar relativamente à luz indicadora.

Segure o aparador com ambas as mãos e pressione o gatilho A ou B e, de seguida, mova-o para a frente do seu corpo. (Fig. 8)

Como operação básica, incline as lâminas para a direcção da aparagem e mova-as calma e lentamente a uma velocidade de 3 - 4 segundos por metro. (Fig. 9)

Para cortar o topo de uma sebe de igual forma, ajuda se atar um fio à altura da sebe desejada e se aparar ao longo dele, usando-o como linha de referência. (Fig. 10)

Prender o receptor de chip (acessório opcional) na ferramenta quando aparar a sebe a direito pode evitar que folhas cortadas sejam deitadas fora. (Fig. 11)

Para cortar um lado da sebe de forma igual, ajuda cortar do fundo para o topo. (Fig. 12)

Apare o buxo e rododendro da base para o topo para um aspecto agradável e um bom trabalho.

Instalar ou remover o receptor de chip (acessório opcional)

⚠️ PRECAUÇÃO:

- Certifique-se sempre de que a ferramenta está desligada no interruptor e da tomada antes de instalar ou remover o receptor de chip.

NOTA:

- Ao substituir o receptor do chip, use sempre luvas para que as mãos e face não entrem em contacto directo com a lâmina. Caso contrário, poderá causar ferimentos.
- Certifique-se de que retira a cobertura da lâmina antes de instalar o coletor de aparas.
- O apanha- aparas recebe as folhas cortadas e alivia a recolha das folhas deitadas fora. Pode ser instalado de qualquer dos lados. (Fig. 13)

Pressione o receptor do chip para as lâminas da tesoura para que as suas fendas se sobreponham às porcas nas lâminas da tesoura. (Fig. 14)

A esta altura, o receptor do chip precisa de ser instalado para que os seus ganchos encaixem nas ranhuras na unidade da lâmina da tesoura. (Fig. 15)

Para remover o receptor do chip, pressione a sua alavanca em ambos os lados para que os ganchos sejam desbloqueados.

⚠️ PRECAUÇÃO:

- A cobertura da lâmina (equipamento standard) não pode ser instalada na ferramenta com o receptor do chip a ser instalado. Antes de transportar ou armazenar, desinstale o receptor do chip e instale a cobertura da lâmina para evitar a exposição da lâmina.

NOTA:

- Verifique o receptor do chip para uma instalação segura antes da utilização.
- Nunca tente desinstalar o receptor do chip através de força excessiva com os seus ganchos bloqueados nas ranhuras da unidade da lâmina. Se usar força excessiva poderá danificá-lo.

MANUTENÇÃO

⚠️ PRECAUÇÃO:

- Certifique-se sempre de que a ferramenta está desligada e a bateria removida antes de efectuar operações de inspecção ou de manutenção.

Limpar a ferramenta

Limpe a ferramenta retirando o pó com um pano seco ou embebido em sabão.

⚠️ PRECAUÇÃO:

- Nunca utilize gasolina, benzina, diluente, álcool ou semelhante. Podem formar-se descolorações, deformações ou fissuras.

Manutenção da lâmina

Unte a lâmina antes e uma vez por hora durante a operação usando óleo da máquina ou semelhantes.

NOTA:

- Antes de untar a lâmina, retire o receptor de chip. Depois do funcionamento, retire o pó de ambos os lados da lâmina com uma escova de arame, limpe-a com um pano e depois aplique óleo de viscosidade baixa com óleo da máquina, etc. e óleo lubrificante tipo spray.

⚠️ PRECAUÇÃO:

- Não lave as lâminas com água. Se o fizer, a ferramenta poderá ficar enferrujada ou danificada.

Remover ou instalar a lâmina da tesoura

⚠️ PRECAUÇÃO:

- Antes de retirar ou instalar a lâmina da tesoura, certifique-se sempre de que a ferramenta está desligada e a bateria removida.
- Ao substituir a lâmina da tesoura, use sempre luvas sem remover a cobertura da lâmina para que as mãos e face não entrem em contacto directo com a lâmina. Caso contrário, poderá causar ferimentos.

NOTA:

- Não limpe a massa lubrificante da engrenagem e da manivela. Caso contrário poderá danificar a ferramenta.

Remover as lâminas da tesoura (Fig. 16)

Inverta a ferramenta e solte os quatro parafusos e remova a cobertura inferior.

NOTA:

- Tenha cuidado para não sujar as suas mãos porque é aplicada massa lubrificante na área de condução da lâmina da tesoura. (Fig. 17)

Solte os quatro parafusos e remova as lâminas. Remova a anilha e a esponja das lâminas da tesoura e coloque-as de lado. São necessárias para instalação posterior.

(Fig. 18)

Se as mangas ainda estiverem nos orifícios da engrenagem, remova a engrenagem e empurre as mangas para fora com uma chave de fendas ou semelhante.

NOTA:

A anilha debaixo da engrenagem pode sair por engano ao remover a engrenagem. Neste caso, reponha-a na posição original, como foi instalada.

Instalar a lâmina da tesoura (Fig. 19)

Remova a cobertura da lâmina das antigas lâminas da tesoura e instale-a nas novas, para evitar o contacto com as lâminas. (Fig. 20)

Ajuste as posições dos orifícios rodando a engrenagem, tal como ilustrado. (Fig. 21 e 22)

Aplique alguma massa lubrificante fornecida com as novas lâminas de tesoura, como ilustrado. (Fig. 23) Coloque a esponja removida na mesma posição da antiga. Certifique-se de que as mangas fornecidas com as novas lâminas de tesoura são colocadas nos pinos da lâmina. Coloque as novas lâminas de tesoura na ferramenta de forma a que os pinos alinhem com os orifícios na engrenagem. Se as mangas dos pinos saírem por engano, coloque-os previamente nos orifícios da engrenagem. (Fig. 24)

Instale a lâmina e aperte os quatro parafusos, e coloque a anilha removida na mesma posição da antiga. (Fig. 25)

Instale a cobertura inferior na ferramenta e aperte bem os quatro parafusos.

Armazenamento

O orifício do gancho no fundo da ferramenta é conveniente para pendurar a ferramenta num prego ou parafuso na parede. (Fig. 26)

Retire a bateria e coloque a cobertura da lâmina nas lâminas da tesoura para que as lâminas não fiquem expostas. Mantenha a ferramenta fora do alcance das crianças, com cuidado.

Guarde a ferramenta num local que não esteja exposto a água e chuva.

Para manter os níveis de SEGURANÇA e FIABILIDADE definidos para este produto, as reparações e os procedimentos de manutenção ou ajustes devem ser executados por centros de assistência Makita autorizados, utilizando sempre peças de substituição Makita.

ACESSÓRIOS OPCIONAIS

PRECAUÇÃO:

- Os seguintes acessórios ou extensões são os recomendados para utilizar com a ferramenta Makita especificada neste manual. A utilização de quaisquer outros acessórios poderá representar um risco de ferimento para as pessoas. Apenas utilize o acessório para o fim indicado.

Se precisar de informações adicionais relativas aos acessórios, contacte o centro local de assistência Makita.

- Cobertura da lâmina
- Montagem da lâmina da tesoura
- Bateria e carregador genuínos da Makita
- Receptor de chip

NOTA:

- Alguns itens na lista podem estar incluídos no pacote de ferramentas como acessórios de série. Podem diferir de país para país.

Ruído

ENG905-1

O nível de ruído ponderado A típico determinado, de acordo com EN62841-4-2:

Modelo DUH483

Nível de pressão sonora (L_{pA}): 73 dB (A)

Incerteza (K): 3,9 dB (A)

O nível de ruído quando em funcionamento pode exceder os 80 dB (A).

Modelo DUH523

Nível de pressão sonora (L_{pA}): 73 dB (A)

Incerteza (K): 4,3 dB (A)

O nível de ruído quando em funcionamento pode exceder os 80 dB (A).

ENG907-1

- O(s) valor(es) da emissão de ruído indicado(s) foi medido de acordo com um método de teste padrão e pode ser utilizado para comparar duas ferramentas.
- O(s) valor(es) da emissão de ruído indicado(s) pode também ser utilizado na avaliação preliminar da exposição.

AVISO:

- Utilize protetores auriculares.

- A emissão de ruído durante a utilização real da ferramenta elétrica pode diferir do(s) valor(es) indicado(s), dependendo das formas como a ferramenta é utilizada, especialmente o tipo de peça de trabalho que é processada.
- Certifique-se de identificar as medidas de segurança para proteção do operador que sejam baseadas em uma estimativa de exposição em condições reais de utilização (considerando todas as partes do ciclo de operação, tal como quando a ferramenta está desligada e quando está a funcionar em marcha lenta além do tempo de acionamento).

Vibração

ENG900-1

O valor total de vibração (soma vector triaxial) determinado, de acordo com EN62841-4-2:

Emissão de vibrações (a_h): 2,5 m/s² ou menos

Incerteza (K): 1,5 m/s²

ENG901-2

- O(s) valor(es) total(ais) de vibração indicado(s) foi medido de acordo com um método de teste padrão e pode ser utilizado para comparar duas ferramentas.
- O(s) valor(es) total(ais) de vibração indicado(s) pode também ser utilizado na avaliação preliminar da exposição.

AVISO:

- A emissão de vibração durante a utilização real da ferramenta elétrica pode diferir do(s) valor(es) indicado(s), dependendo das formas como a ferramenta é utilizada, especialmente o tipo de peça de trabalho que é processada.
- Certifique-se de identificar as medidas de segurança para proteção do operador que sejam baseadas em uma estimativa de exposição em condições reais de utilização (considerando todas as partes do ciclo de operação, tal como quando a ferramenta está desligada e quando está a funcionar em marcha lenta além do tempo de acionamento).

Declaração de conformidade CE

Apenas para os países europeus

A declaração de conformidade CE está incluída como Anexo A neste manual de instruções.

DANSK (Originalvejledning)

Forklaring til generel oversigt

- | | | |
|--------------------|---|--------------------|
| 1. Rød indikator | 14. Den hækkeoverflade der skal klippes | 25. Frigør krogene |
| 2. Knap | 15. Hold sværdet på skrå | 26. Skruer |
| 3. Batteripakke | 16. Snor | 27. Underdæksel |
| 4. Stjernemærkning | 17. Tryk | 28. Svamp |
| 5. Indikatorlamper | 18. Flisopsamler | 29. Skive |
| 6. Kontrolknap | 19. Møtrik | 30. Tandhjul |
| 7. Kontaktgreb A | 20. Sværd | 31. Bøsninger |
| 8. Kontaktgreb B | 21. Kroge | 32. Rille |
| 9. Aflåseknop | 22. Placer krogene i rillerne | 33. Sværdhylster |
| 10. Indikatorlampe | 23. Riller | 34. Fedtstof |
| 11. Klippehøjde | 24. Tryk på udløsningsmekanismerne på begge sider | 35. Sværd |
| 12. 10 cm | | |
| 13. Klipperetning | | |

SPECIFIKATIONER

Model	DUH483	DUH523
Sværdlængde	480 mm	520 mm
Snit pr. minut (min ⁻¹)	1.350	
Nominal spænding	18 V DC	
Længde i alt (Afhængigt af batteriet)	873 - 888 mm	923 - 938 mm
Nettovægt	3,0 - 3,3 kg	3,0 - 3,4 kg

- På grund af vores løbende forsknings- og udviklingsprogram kan specifikationerne heri ændres uden forudgående varsel.
- Specifikationerne kan variere fra land til land.
- Vægten kan muligvis afvige afhængigt af tilbehøret, inklusive batteripakken. Den letteste og tungeste kombination, ifølge EPTA-procedure 01/2014, er vist i tabellen.

Anvendelig batteripakke og oplader

Batteripakke	BL1815N/BL1820B/BL1830B/BL1840B/BL1850B/BL1860B
Oplader	DC18RC/DC18RD/DC18RE/DC18SD/DC18SE/DC18SF/DC18SH

- Nogle af de ovennævnte batteripakker og opladere er muligvis ikke til rådighed, afhængigt af den region du bor i.

⚠ ADVARSEL:

- **Brug kun de ovennævnte batteripakker og opladere.** Brug af nogen andre batteripakker og opladere kan muligvis forårsage personskade og/eller brand.

Anbefalet batteriadapter

Akku-adapter	PDC01
--------------	-------

- Batteriadapteren/batteriadapterne, der er angivet ovenfor, er muligvis ikke tilgængelige, afhængigt af hvilket område du bor i.
- Læs instruktion og advarselmærkater på batteriadapteren inden du anvender batteriadapteren.

Symbol

END013-6
Her vises de symboler, der benyttes til udstyret. Vær sikker på, at du forstår deres betydning, før du bruger udstyret.



..... FARE - Hold hænder væk fra klingens.



..... Kun for EU-lande
Elektrisk udstyr eller batteripakke må ikke bortskaffes sammen med almindeligt affald!
I henhold til det europæiske direktiv om bortskaffelse af elektriske og elektroniske produkter og om batterier og akkumulatører og bortskaffelse af



..... Læs brugsanvisningen.



..... Udsæt ikke maskinen for fugt.



..... Bær øjenbeskyttelse.

batterier og akkumulatører og deres implementering under gældende national lovgivning skal brugt elektrisk udstyr, batterier og batteripakke(r), der har udtjent deres levetid, indsamles separat og returneres til miljøgodkendt genindvinding.

Tilsigtet anvendelse

ENE014-1

Maskinen er beregnet til klipning af hække.

Almindelige sikkerhedsregler for el-værktøj

GEA010-2

⚠ ADVARSEL: Læs alle de sikkerhedsadvarsler, instruktioner, illustrationer og specifikationer, der følger med denne maskine. Forsømmelse af at overholde alle nedenstående instruktioner kan medføre elektrisk stød, brand og/eller alvorlig personskade.

Gem alle advarsler og instruktioner til fremtidig reference.

Ordet "el-værktøj" i advarslerne henviser til det netforsynede (netledning) el-værktøj eller batteriforsynede (akku) el-værktøj.

Sikkerhedsadvarsler for akku hæktrimmer

GEB215-2

- Hold alle dele af kroppen væk fra klingerne. Undlad at fjerne afskåret materiale eller at holde materiale, der skal skæres, når klingerne bevæger sig.**
Klinger fortsætter med at rotere, efter at afbryderen er slået fra. Ved brug af hæktrimmeren kan et øjeblikks uopmærksomhed medføre alvorlig personskade.
- Bær hæktrimmeren i håndtaget med klingerne stoppet og pas på ikke at betjene nogen tænd/sluk-knap.** Korrekt bæring af hæktrimmeren reducerer risikoen for utilsigtet start og medfølgende personskade fra klingerne.
- Ved transport eller opbevaring af hæktrimmeren skal klingedækslet altid sættes på.** Korrekt håndtering af hæktrimmeren reducerer risikoen for personskade fra klingerne.
- Når der fjernes fastklemt materiale, eller enheden serviceres, skal du sørge for at alle tænd/sluk-knapper er slukket, og at akkuen er fjernet eller afbrudt.** Uventet aktivering af hæktrimmeren, mens der fjernes fastklemt materiale eller udføres service, kan muligvis resultere i personskade.
- Hold altid kun i hæktrimmeren i de isolerede grebflader, da klingerne muligvis kan komme i berøring med skjulte ledninger.** Hvis klinger kommer i kontakt med en strømførende ledning, kan udsatte metaldele på hæktrimmeren blive strømførende, hvorved operatøren kan få elektrisk stød.
- Hold alle netledninger væk fra skærområdet.** Netledninger eller kabler kan muligvis være skjult i

hække eller buske og kan ved et uheld skæres over af klingerne.

- Brug ikke hæktrimmeren i dårligt vejr, især hvis der er risiko for lynnedslag.** Dette reducerer risikoen for, at du rammes af lynnedslag.

Yderligere sikkerhedsinstruktioner

Forberedelse

- Kontrollér hækkene og buskene for fremmedlegemer som f.eks. trådhegn eller skjulte ledninger, før maskinen anvendes.**
- Maskinen må ikke anvendes af børn eller unge på under 18 år.** Unge på over 16 år er muligvis undtaget fra denne begrænsning, hvis de er under oplæring under opsyn af en ekspert.
- Førstegangsbrugere bør få en erfaren bruger til at vise dem, hvordan man bruger maskinen.**
- Brug kun maskinen, hvis du er i god fysisk form.** Hvis du er træt, vil din opmærksomhed være reduceret. Vær særligt opmærksom sidst på arbejdsdagen. Udfør alt arbejde roligt og omhyggeligt. Brugeren er ansvarlig for enhver skade på tredjepart.
- Brug aldrig maskinen under indflydelse af alkohol, narkotika eller medicin.**
- Arbejdshandsker af solidt læder er en del af det grundlæggende udstyr til maskinen og skal altid bæres, når du arbejder med den. Bær også solide sko med skridsikre såler.**
- Før du påbegynder arbejdet, skal du kontrollere, at maskinen er i god og sikker arbejdstilstand.** Kontroller, at beskyttelsesskærme er monteret korrekt. Maskinen må ikke anvendes, medmindre den er fuldt samlet.

Drift

- Hold godt fast i maskinen med begge hænder, når du bruger maskinen.**
- Maskinen er kun beregnet til brug af operatøren i jordhøjde. Benyt ikke maskinen på stiger eller noget andet ustabilt underlag.**
- FARE - Hold hænderne på afstand af klingerne.** Kontakt med klingerne vil medføre alvorlig personskade.
- Brug ikke maskinen i regnvejr eller under våde eller meget fugtige forhold.** Den elektriske motor er ikke vandtæt.
- Sørg for at have solidt fodfæste, før du starter brugen.**
- Betjen ikke maskinen unødigt uden belastning.**
- Sluk med det samme for maskinen, og fjern akkuen, hvis klingerne kommer i kontakt med et hegn eller en anden hård genstand. Kontrollér klingerne for beskadigelse, og udskift klingerne med det samme, hvis de er beskadiget.**
- Før du kontrollører klingerne, udbedrer fejl eller fjerner materiale, der sidder fast i klingerne, skal du altid slukke for maskinen og fjerne akkuen.**
- Ret aldrig klingerne mod dig selv eller andre.**
- Hvis klingerne holder op med at bevæge sig under brugen på grund af fremmedlegemer, der sidder fast mellem klingerne, skal du slukke for maskinen og fjerne akkuen og derefter fjerne fremmedlegemerne ved hjælp af redskaber som f.eks. en tang.** Hvis du fjerner fremmedlegemerne i hånden, kan det medføre personskade, da klingerne

kan bevæge sig som reaktion på fjernelsen af fremmedlegemerne.

11. Undgå farlige miljøer. Brug ikke maskinen på fugtige eller våde steder, og udsæt den ikke for regn. Hvis der kommer vand ind i maskinen, forøger det risikoen for elektrisk stød.

Vedligeholdelse og opbevaring

1. Sluk for maskinen, og fjern akkuen, før du udfører vedligeholdelsesarbejde.
2. Når maskinen flyttes til et andet sted, herunder under arbejde, skal du altid fjerne akkuen og sætte klingedækslet på klingerne. Du må aldrig bære eller transportere maskinen, mens klingerne kører. Tag aldrig fat i klingerne med hænderne.
3. Rengør maskinen og især klingerne efter brug, og før maskinen lægges til opbevaring i længere tid. Smør klingerne let, og sæt klingedækslet på.
4. Opbevar maskinen med klingedækslet på i et tørt værelse. Hold den utilgængelig for børn. Opbevar aldrig maskinen udendørs.
5. Undlad at kaste batterierne i åben ild. Cellen kan eksplodere. Tjek de lokale regler for eventuelle særlige instruktioner vedrørende bortskafløse.
6. Undlad at åbne eller mishandle batterierne. Lækket elektrolyt er ætsende og kan medføre skader på øjnene eller huden. Den kan være giftig, hvis den indtages.
7. Undlad at oplade batteriet i regnvej eller under våde forhold.

GEM DENNE BRUGSANVISNING.

⚠ ADVARSEL:

LAD IKKE bekvemmelighed eller kendskab til produktet (opnået gennem gentagen brug) forhindre, at sikkerhedsforskrifterne for produktet nøje overholdes. MISBRUG eller forsømmelse af at følge de i denne brugsvejledning givne sikkerhedsforskrifter kan føre til, at De kommer alvorligt til skade.

Vigtige sikkerhedsinstruktioner for akkuen

ENC007-16

1. Læs alle instruktioner og advarselsmærkater på (1) akku-opladeren, (2) akkuen og (3) produktet, som anvender akku.
2. Adskil eller ændr ikke akkuen. Det kan muligvis resultere i en brand, overdreven varme eller eksplosion.
3. Hold straks op med anvendelsen, hvis brugstiden er blevet stærkt afkortet. Fortsæt anvendelse kan resultere i risiko for overophedning, forbrændinger og endog eksplosion.
4. Hvis De har fået elektrolytvæske i øjnene, skal De straks skylle den ud med rent vand og derefter øjeblikkeligt søge lægehjælp. I modsat fald kan De miste synet.
5. Vær påpasselig med ikke at komme til at kortslutte akkuen:
 - (1) Rør ikke ved terminalerne med noget ledende materiale.

- (2) Undgå at opbevare akkuen i en beholder sammen med andre genstande af metal, for eksempel søm, mønter og lignende.

- (3) Udsæt ikke akkuen for vand eller regn. Kortslutning af akkuen kan forårsage en kraftig øgning af strømmen, overophedning, mulige forbrændinger og endog værktøjstopt.
6. Opbevar og brug ikke maskinen og akkuen på steder, hvor temperaturen muligvis kan nå eller overstige 50 °C.
7. Lad være med at brænde akkuen, selv ikke i tilfælde, hvor den har lidt alvorlig skade eller er fuldstændig udtjent. Akkuen kan eksplodere, hvis man forsøger at brænde den.
8. Slå ikke søm i, skær ikke i, knus, kast, tab ikke akkuen og stød ikke akkuen mod en hård genstand. Sådant adfærd kan muligvis resultere i en brand, overdreven varme eller eksplosion.
9. Anvend ikke en beskadiget akku.
10. De indbyggede litium-ion-batterier er underlagt lovkrav vedrørende farligt gods.

Ved kommerciel transport, f.eks. af tredjeparts transportselskaber, skal særlige krav til forpakning og mærkning overholdes.

Ved forberedelse af udstyret til forsendelse skal du kontakte en ekspert i farligt gods. Overhold også eventuel mere detaljeret national lovgivning.

Tape eller tildæk åbne kontakter, og pak batteriet på en måde, så det ikke kan flytte sig rundt i pakningen.

11. Når akkuen bortskafløses, skal du fjerne den fra maskinen og bortskafløse den på et sikkert sted. Følg de lokale love vedrørende bortskafløse af batterier.
12. Brug kun batterierne med de produkter, som Makita specificerer. Hvis batterierne installeres i ikke-kompatible produkter, kan det medføre brand, kraftig varme, eksplosion eller udsivning af elektrolyt.
13. Hvis maskinen ikke skal bruges i længere tid ad gangen, skal du fjerne batteriet fra maskinen.
14. Akkuen kan muligvis under og efter brug være varm, hvilket kan forårsage forbrændinger eller lavtemperaturforbrændinger. Vær påpasselig med håndtering af varme akkuer.
15. Rør ikke terminalerne på maskinen straks efter brug, da den bliver varm nok til at forårsage forbrændinger.
16. Sørg for at påspåner, støv eller jord ikke sætter sig fast inde i terminalerne, hullerne og rillerne på akkuen. Det kan muligvis medføre dårlig ydelse eller nedbrud af maskinen eller akkuen.
17. Medmindre maskinen understøtter brugen i nærheden af elektriske højspændingsledninger, skal du ikke anvende akkuen i nærheden af elektriske højspændingsledninger. Det kan muligvis medføre funktionsfejl på eller nedbrud af maskinen eller akkuen.
18. Opbevar batteriet utilgængeligt for børn.

GEM DENNE BRUGSANVISNING.

⚠ FORSIGTIG: Brug kun originale batterier fra Makita. Brug af uoriginale Makita-batterier, eller batterier som er blevet ændret, kan muligvis medføre brud på batteriet, hvilket kan forårsage brand, personskade eller

beskadigelse. Det ugyldiggør også Makita-garantien for Makita-maskinen og opladeren.

Tips til opnåelse af maksimal akku-levetid

1. **Oplad akkuen, inden den er helt afladet. Stop altid værktøjet, og oplad akkuen, hvis De bemærker, at værktøjeffekten er aftagende.**
2. **Genoplad aldrig en fuldt opladet akku.**
3. **Overopladning vil afkorte akkuens levetid.**
4. **Oplad akkuen ved stuetemperatur ved 10 °C - 40 °C. Lad altid en varm akku få tid til at køle af, inden den oplades.**
5. **Når du ikke anvender akkuen, skal du fjerne den fra maskinen eller opladeren.**
6. **Oplad akkuen, hvis De ikke skal bruge den i længere tid (mere end seks måneder).**

FUNKTIONSBESKRIVELSE

⚠ FORSIGTIG:

- Sørg altid for, at maskinen er slukket, og at batteripakken er taget ud, før du justerer maskinen eller kontrollerer dens funktion.

Montering eller afmontering af batteripakken (Fig. 1)

⚠ FORSIGTIG:

- Sluk altid for værktøjet inden montering eller afmontering af batteripakken.
- **Hold godt fast i værktøjet og batteripakken, når du monterer eller afmonterer batteripakken.** Hvis maskinen og batteripakken ikke holdes ordentligt fast, kan de glide ud af hænderne og resultere i skader på maskinen og batteripakken samt personskaade.

Afmonter batteripakken ved at holde ned på knappen foran på batteripakken og skubbe den af værktøjet. Ved montering af batteripakken justeres tungen på batteripakken med rillen i huset, hvorefter pakken skubbes på plads. Sæt den hele vejen ind, indtil den låses på plads med et lille klik. Hvis den røde indikator øverst på knappen er synlig, er batteripakken ikke låst helt fast.

⚠ FORSIGTIG:

- Sæt altid batteripakken helt ind, indtil den røde indikator ikke længere er synlig. Ellers kan den falde ud af værktøjet og skade dig eller andre personer i nærheden.
- Anvend ikke kræfter ved monteringen af batteripakken. Hvis den ikke glider let ind, er den ikke indsat korrekt.

Batteribeskyttelsessystem (lithium-ion-batteri med stjernemærkning) (Fig. 2)

Lithium-ion-batterier med en stjernemærkning er udstyret med et beskyttelsessystem. Dette system slukker automatisk for strømmen til maskinen for at forlænge batterilevetiden.

Maskinen stopper automatisk under anvendelsen, hvis maskinen og/eller batteriet udsættes for en af de følgende situationer:

- **Overbelastning:**
Maskinen anvendes på en sådan måde, at det får den til at bruge unormalt meget strøm.
I denne situation skal du slippe kontaktgrebet på maskinen og stoppe den anvendelse, som gjorde

maskinen overbelastet. Tryk derefter ind på kontaktgrebet for starte igen.

Hvis maskinen ikke starter, er batteriet overbelastet. I denne situation skal du lade batteriet køle af, inden du trykker ind på kontaktgrebet igen.

- **Lav batterispænding:**

Den resterende batterikapacitet er for lav, og maskinen kan ikke køre. I denne situation skal du afmontere og oplade batteriet.

Angivelse af den resterende batterikapacitet

(Kun for batteripakker med "B" til sidst i modelnummeret.) (Fig. 3)

Tryk på kontrolknappen på batteripakken for at få angivet den resterende batterikapacitet. Indikatorlamperne lyser i nogle få sekunder.

Indikatorlamper			Resterende kapacitet
Tændt	Slukket	Blinker	
■	■	■	75% til 100%
■	■	□	50% til 75%
■	□	□	25% til 50%
■	□	□	0% til 25%
▬	□	□	Oplad batteriet.
■	■	□	Der opstod muligvis funktionsfejl på batteriet.

015658

BEMÆRK:

- Afhængigt af anvendelsesforholdene og den omgivende temperatur, kan angivelsen muligvis afvige en smule fra den egentlige kapacitet.

Betjening af kontakt

⚠ FORSIGTIG:

- Før batteripakken sættes i maskinen, skal du altid kontrollere, at kontaktgrebet reagerer korrekt og vender tilbage i "OFF"-stillingen, når du slipper det. (Fig. 4)

Denne maskine er af sikkerhedsårsager udstyret med et dobbelt kontaktsystem. Du tænder for maskinen ved at trykke på aflåseknappen og kontaktgreb A og B. Slip et af de to aktiverede kontaktgreb for at slukke for maskinen. Rækkefølgen for aktivering af kontaktgrebene er uden betydning, eftersom maskinen kun starter, når begge kontaktgreb er trykket ind.

Indikatorlampe (Fig. 5)

Når maskinen kører, viser indikatorlampen batteripakkens kapacitetsstatus.

Når maskinen er overbelastet og stopper under arbejdet, lyser lampen rødt.

Se det følgende skema over indikatorlampens status og afhjælpning.

Indikatorlampe	Status	Afhjælpning
Lampen blinker rødt	Dette angiver det passende tidspunkt for udskiftning af batteripakken, når batteriets strømstyrke sænkes.	Genoplad batteripakken så hurtigt som muligt.
Lampen lyser rødt. (Bemærk 1)	Denne funktion aktiveres, når strømmen på batteriet næsten er brugt op. På dette tidspunkt stopper maskinen øjeblikkeligt.	Genoplad batteripakken.
Lampen lyser rødt. (Bemærk 1)	Automatisk stop pga. overbelastning	Sluk for maskinen.

Bemærk 1: Tidspunktet for hvornår indikatorlampen lyser varierer afhængigt af temperaturen på arbejdsstedet og batteripakkens tilstand.

010970

BETJENING

⚠ FORSIGTIG:

- Sørg for, at du ikke utilsigtet kommer i kontakt med metalhegn eller andre hårde genstande under klipning. Sværdet kan muligvis brække og forårsage alvorlig personskade.
- Det er meget farligt at strække sig meget langt frem med en hækkeklipper, især fra en stige. Udfør ikke arbejde stående på noget der rokker eller ikke står ordentligt fast.

BEMÆRK:

Forsøg ikke at klippe grene der er tykkere end 10 mm i diameter med maskinen. Klip grene ned til 10 cm lavere end klippehøjden vha. en grensaks inden anvendelse af maskinen. (Fig. 6)

⚠ FORSIGTIG:

- Klip ikke i døde træer eller lignende hårde genstande. Hvis du gør det, kan det muligvis beskadige maskinen. (Fig. 7)

Hold hækkeklipperen med begge hænder, tryk ind på kontaktrgb A eller B og før derefter hækkeklipperen foran kroppen. (Fig. 8)

Grundlæggende bør du holde sværdet på skrå, vendt mod klipperetningen og stille og roligt føre hækkeklipperen frem med en hastighed på 3 - 4 sekunder pr. meter. (Fig. 9)

Når du skal klippe toppen på hækken lige, hjælper det at spænde en snor ud i den ønskede højde og klippe langs med den, ved at bruge den som en referencelinje. (Fig. 10)

Hvis du monterer flisopsamleren (ekstratilbehør) på maskinen, når du klipper hækken lige, kan du undgå at afskærne blade bliver kastet væk. (Fig. 11)

For at klippe hækens side lige hjælper det at klippe fra bunden af og op. (Fig. 12)

Når buksbom eller rhododendron klippes nedefra og op mod toppen, får du det bedste resultat.

Montering og afmontering af flisopsamleren (ekstratilbehør)

⚠ FORSIGTIG:

- Sørg altid for, at maskinen er slukket, og at stikket er taget ud af stikkontakten, før du monterer eller afmonterer flisopsamleren.

BEMÆRK:

- Når du monterer/afmonterer flisopsamleren, skal du altid bære handsker, sådan at hænder og ansigt ikke

kommer i direkte kontakt med sværdet. Ellers kan det medføre personskader.

- Sørg altid for at fjerne sværdhylsteret inden montering af flisopsamleren.
- Flisopsamleren modtager de afskårne blade, og gør det lettere at opsamle bortkastede blade. Den kan monteres på begge sider af maskinen. (Fig. 13)

Tryk flisopsamleren ned på sværdet så dens sprækker overlapper med møtrikkerne på sværdet. (Fig. 14)

Flisopsamleren skal monteres sådan, at dens kroge passer ind i rillerne på sværdenheden. (Fig. 15)

For at afmontere flisopsamleren skal du trykke på udløsningsmekanismen på begge sider, sådan at krogene låses op.

⚠ FORSIGTIG:

- Sværdhylsteret (standardudstyr) kan ikke monteres på maskinen, mens flisopsamleren er monteret. Inden du bærer på eller opbevarer hækkeklipperen, skal du afmontere flisopsamleren og sætte sværdhylsteret på for at undgå kontakt med sværdet.

BEMÆRK:

- Efterse flisopsamleren inden brug for at sikre ordentlig fastgørelse.
- Forsøg aldrig at afmontere flisopsamleren ved brug af kraft, mens krogene er låst ind i sværdenhedens riller. Brug af overdreven kraft kan beskadige maskinen.

VEDLIGEHOLDELSE

⚠ FORSIGTIG:

- Sørg altid for, at maskinen er slukket, og at batteripakken er taget ud, før du forsøger at udføre inspektion eller vedligeholdelse.

Rengøring af maskinen

Rengør maskinen ved at tørre den af med en tør klud, eller en der er dyppet i sæbevand.

⚠ FORSIGTIG:

- Brug aldrig benzin, benzen, fortynder, alkohol eller lignende. Det kan muligvis medføre misfarvning, deformation eller revner.

Vedligeholdelse af sværdet

Smør sværdet inden brug, samt én gang i timen under brug med maskinolie eller lignende.

BEMÆRK:

- Afmonter flisopsamleren inden du smører sværdet. Efter udført arbejde skal du fjerne støv fra begge sider af sværdet med en stålborste, tørre det af med en klud og

derefter påføre rigeligt olie med lav viskositet, som fx maskinolie osv., eller smørøolie på spraydåse.

⚠ FORSIGTIG:

- Vask ikke sværdet i vand. Det muligvis forårsage rust eller beskadige maskinen.

Afmontering eller montering af sværd

⚠ FORSIGTIG:

- Sørg altid for, at maskinen er slukket, og batteripakken er taget ud, før du afmonterer eller monterer sværd.
- Når du udskifter sværdet, skal du altid bære handsker og undgå at fjerne sværdhylsteret, sådan at hænder og ansigt ikke kommer i direkte kontakt med sværdet. Ellers kan det medføre personskader.

BEMÆRK:

- Tør ikke fedtet af tandhjulet eller krumtappen. Hvis du gør det, kan det muligvis beskadige maskinen.

Afmontering af sværdet (Fig. 16)

Vend maskinen om og løs fire skruer så du kan fjerne underdækslet.

BEMÆRK:

- Pas på dine hænder ikke snaves til eftersom der er smurt med fedt i sværdets bevægelsesområde.

(Fig. 17)

Løs fire skruer og fjern sværdet. Fjern skiven og svampen fra sværdet og læg dem til side. De behøves til senere installation. (Fig. 18)

Hvis bøsningerne stadig er placeret i tandhjulets huller, skal du fjerne tandhjulet og trykke bøsningerne ud af det med en skruetrækker eller lignende.

BEMÆRK:

Skiven under tandhjulet kan falde af ved fjernelse af tandhjulet. I dette tilfælde skal du sætte den tilbage på dens oprindelige position.

Montering af sværdet (Fig. 19)

Fjern sværdhylsteret fra det gamle sværd og placer det på det nye sværd for at undgå kontakt med sværdet.

(Fig. 20)

Juster hulpositionerne ved at dreje på tandhjulet som illustreret. (Fig. 21 og 22)

Påfør som illustreret noget af det fedtstof som følger med det nye sværd. (Fig. 23)

Placer den fjernede svamp på den samme position som den gamle svamp. Sørg for at de bøsninger, som følger med det nye sværd, placeres på sværdets ben. Placer det nye sværd på maskinen så benene passer ind i hullerne på tandhjulet. Hvis bøsningerne på benene falder af ved en fejltagelse, skal du placere dem i hullerne på tandhjulet på forhånd. (Fig. 24)

Monter sværdet, stram de fire skruer og placer den fjernede skive på den samme position som den gamle. (Fig. 25)

Monter underdækslet på maskinen og stram de fire skruer ordentligt til.

Opbevaring

Hullet i bunden af maskinen er praktisk, når maskinen hænges op på et søm eller en skrue på væggen. (Fig. 26)

Fjern batteripakken og placer sværdhylsteret over sværdet så knivene ikke er udekkede. Sørg for at opbevare maskinen uden for børns rækkevidde. Opbevar maskinen på et sted hvor den ikke udsættes for vand og regn.

For at holde produktet SIKKERT og PÅLIDELIGT skal reparationer samt al anden vedligeholdelse eller justering udføres af autoriserede Makita-servicecentre, og der skal altid benyttes Makita-reservedele.

EKSTRAUDSTYR

⚠ FORSIGTIG:

- Dette tilbehør eller ekstraudstyr anbefales til brug med det Makita-værktøj, som er beskrevet i denne brugsanvisning. Brug af andet tilbehør eller ekstraudstyr kan forårsage personskade. Brug kun tilbehør eller ekstraudstyr til det formål, det er beregnet til.

Henvend dig til dit lokale Makita-servicecenter, hvis du har brug for hjælp eller yderligere oplysninger vedrørende tilbehøret.

- Sværdhylster
- Sværdmontering
- Originalt batteri og oplader fra Makita
- Flisopsamler

BEMÆRK:

- Visse dele på listen er muligvis indeholdt maskinindpakningen som standardtilbehør. De kan variere fra land til land.

Støj

ENG905-1

Det typiske A-vægtede støjniveau bestemt i overensstemmelse med EN62841-4-2:

Model DUH483

Lydtryksniveau (L_{pA}): 73 dB (A)

Usikkerhed (K): 3,9 dB (A)

Støjniveauet under arbejdet kan overstige 80 dB (A).

Model DUH523

Lydtryksniveau (L_{pA}): 73 dB (A)

Usikkerhed (K): 4,3 dB (A)

Støjniveauet under arbejdet kan overstige 80 dB (A).

ENG907-1

- De(n) angivne støjemissionsværdi(er) er målt i overensstemmelse med en standardtestmetode og kan anvendes til at sammenligne en maskine med en anden.
- De(n) angivne støjemissionsværdi(er) kan også anvendes i en præliminær eksponeringsvurdering.

⚠ ADVARSEL:

- **Bær høreværn.**
- **Støjemissionen under den faktiske anvendelse af maskinen kan være forskellig fra de(n) angivne værdi(er), afhængigt af den måde hvorpå maskinen anvendes, især den type arbejdsemne der behandles.**
- **Sørg for at identificere de sikkerhedsforskrifter til beskyttelse af operatøren, som er baseret på en vurdering af eksponering under de faktiske brugsforhold (med hensyntagen til alle dele i brugscyklussen, f.eks. de gange, hvor maskinen er slukket, og når den kører i tomgang i tilgift til afbrydertiden).**

Vibration

ENG900-1

Den samlede vibrationsværdi (treaksiel vektorsum)

bestemt i overensstemmelse med EN62841-4-2:

Vibrationsemission (a_h): 2,5 m/s² eller mindre

Usikkerhed (K): 1,5 m/s²

ENG901-2

- De(n) angivne totalværdi(er) for vibration er målt i overensstemmelse med en standardtestmetode og kan anvendes til at sammenligne en maskine med en anden.
- De(n) angivne totalværdi(er) for vibration kan også anvendes i en præliminær eksponeringsvurdering.



ADVARSEL:

- **Vibrationsemissionen under den faktiske anvendelse af maskinen kan være forskellig fra de(n) angivne værdi(er), afhængigt af den måde hvorpå maskinen anvendes, især den type arbejdsemne der behandles.**
- **Sørg for at identificere de sikkerhedsforskrifter til beskyttelse af operatøren, som er baseret på en vurdering af eksponering under de faktiske brugsforhold (med hensyntagen til alle dele i brugscyklussen, f.eks. de gange, hvor maskinen er slukket, og når den kører i tomgang i tilgift til afbrydertiden).**

EF-overensstemmelseserklæring

Kun for europæiske lande

EF-overensstemmelseserklæringen er inkluderet som appendiks A til denne betjeningsvejledning.

ΕΛΛΗΝΙΚΑ (Πρωτογενείς οδηγίες)

Περιγραφή γενικής όψης

- | | | |
|---|--|---------------------|
| 1. Κόκκινη ένδειξη | 15. Δώστε κλίση στις λεπίδες | 28. Σπόγγος |
| 2. Κουμπί | 16. Κορδόνι | 29. Ροδέλα |
| 3. Κασέτα μπαταρίας | 17. Πιέστε | 30. Γρανάζι |
| 4. Ένδειξη άστρου | 18. Συλλέκτης θραυσμάτων | 31. Έδρανα |
| 5. Ενδεικτικές λυχνίες | 19. Παξιμάδι | 32. Αυλάκωση |
| 6. Κουμπί ελέγχου | 20. Λεπίδα κοπής | 33. Κάλυμμα λεπίδων |
| 7. Σκανδάλη-διακόπτης Α | 21. Αγκιστρα | 34. Γράσο |
| 8. Σκανδάλη-διακόπτης Β | 22. Προσαρμόστε τα άγκιστρα στην αυλάκωση | 35. Λεπίδα |
| 9. Κουμπί ασφάλισης | 23. Αυλακώσεις | |
| 10. Ενδεικτική λυχνία | 24. Πιέστε τους μοχλούς και στις δυο πλευρές | |
| 11. Ύψος κοπής | 25. Απασφαλίστε τα άγκιστρα | |
| 12. 10 cm | 26. Βίδες | |
| 13. Διεύθυνση κλαδέματος | 27. Κάτω κάλυμμα | |
| 14. Επιφάνεια του φράκτη που πρόκειται να κλαδευτεί | | |

ΠΡΟΔΙΑΓΡΑΦΕΣ

Μοντέλο	DUH483	DUH523
Μήκος λεπίδας	480 mm	520 mm
Διαδρομές το λεπτό (min ⁻¹)	1.350	
Ονομαστική τιμή τάσης	D.C. 18 V	
Ολικό μήκος (Ανάλογα με την μπαταρία)	873 - 888 mm	923 - 938 mm
Καθαρό βάρος	3,0 - 3,3 kg	3,0 - 3,4 kg

- Λόγω του συνεχόμενου προγράμματος που εφαρμόζουμε για έρευνα και ανάπτυξη, τα τεχνικά χαρακτηριστικά στο παρόν έντυπο υπόκεινται σε αλλαγή χωρίς προειδοποίηση.
- Τα τεχνικά χαρακτηριστικά ενδέχεται να διαφέρουν ανάλογα με τη χώρα.
- Το βάρος μπορεί να διαφέρει αναλόγως του προσαρτήματος(ων), συμπεριλαμβανομένης της κασέτας μπαταρίας. Ο ελαφρύτερος και ο βαρύτερος συνδυασμός, σύμφωνα με τη Διαδικασία-EPTA 01/2014, εμφανίζονται στον πίνακα.

Ισχύουσα κασέτα μπαταρίας και φορτιστής

Κασέτα μπαταρίας	BL1815N/BL1820B/BL1830B/BL1840B/BL1850B/BL1860B
Φορτιστής	DC18RC/DC18RD/DC18RE/DC18SD/DC18SE/DC18SF/DC18SH

- Μερικές από τις κασέτες μπαταριών και φορτιστές που παρατίθενται παρακάτω μπορεί να μην είναι διαθέσιμες ανάλογα με την περιοχή κατοικίας σας.

⚠️ ΠΡΟΕΙΔΟΠΟΙΗΣΗ:

- Χρησιμοποιήστε μόνο τις κασέτες μπαταριών και τους φορτιστές που παρατίθενται παρακάτω. Η χρήση άλλων κασετών μπαταριών και φορτιστών μπορεί να προκαλέσει τραυματισμό ή/και φωτιά.

Συνιστώμενος προσαρμογέας μπαταριών

Προσαρμογέας μπαταριών	PDC01
------------------------	-------

- Οι προσαρμογείς μπαταριών που αναγράφονται παραπάνω μπορεί να μην είναι διαθέσιμοι, ανάλογα με την περιοχή της κατοικίας σας.
- Πριν χρησιμοποιήσετε τον προσαρμογέα μπαταριών, διαβάστε τις οδηγίες και σημειώσεις προφύλαξης στον προσαρμογέα μπαταριών.

Σύμβολο

Παρακάτω παρουσιάζονται τα σύμβολα που χρησιμοποιούνται για τον εξοπλισμό. Βεβαιωθείτε ότι κατανοείτε τη σημασία τους πριν από τη χρήση.

END013-6



..... Μην εκθέσετε στην υγρασία.



..... Να φοράτε προστασία ματιών.



..... ΚΙΝΔΥΝΟΣ - Κρατήστε τα χέρια μακριά από τη λάμα.



..... Διαβάστε το εγχειρίδιο οδηγιών.

Μόνο για τις χώρες της ΕΕ
Μην απορρίπτετε τον ηλεκτρικό
εξοπλισμό ή την μπαταρία μαζί με τα
οικιακά απορρίμματα!
Σύμφωνα με την Ευρωπαϊκή Οδηγία
περί απορριμμάτων ηλεκτρικών,
ηλεκτρονικών συσκευών, μπαταριών
και συσσωρευτών και των
απορριμμάτων μπαταριών και
συσσωρευτών και την ενσωμάτωσή
τους στην εθνική νομοθεσία, οι
ηλεκτρικές συσκευές, οι μπαταρίες και
οι κασέτες μπαταριών, των οποίων έχει
παρέλθει ο χρόνος ωφέλιμης ζωής
τους, πρέπει να συλλέγονται ξεχωριστά
και να επιστρέφονται σε εγκαταστάσεις
περιβαλλοντικής ανακύκλωσης.

Προοριζόμενη χρήση ENE014-1
Το εργαλείο προορίζεται για το κλάδεμα φρακτών από
θάμνους.

Γενικές προειδοποιήσεις ασφαλείας για το ηλεκτρικό εργαλείο

GEA010-2

**⚠ ΠΡΟΕΙΔΟΠΟΙΗΣΗ: Διαβάστε όλες τις
προειδοποιήσεις ασφάλειας, οδηγίες,
εικονογραφήσεις και προδιαγραφές που παρέχονται
με αυτό το ηλεκτρικό εργαλείο.** Η μη τήρηση όλων των
οδηγιών που αναγράφονται κατωτέρω μπορεί να
καταλήξει σε ηλεκτροπληξία, πυρκαγιά ή/και σοβαρό
τραυματισμό.

Φυλάξτε όλες τις προειδοποιήσεις και τις οδηγίες για μελλοντική παραπομπή.

Στις προειδοποιήσεις, ο όρος “ηλεκτρικό εργαλείο”
αναφέρεται σε ηλεκτρικό εργαλείο που τροφοδοτείται από
την κύρια παροχή ηλεκτρικού ρεύματος (με ηλεκτρικό
καλώδιο) ή σε ηλεκτρικό εργαλείο που τροφοδοτείται από
μπαταρία (χωρίς ηλεκτρικό καλώδιο).

Προειδοποιήσεις ασφάλειας για το φορητό ψαλίδι μπορντούρας

GEB215-2

1. **Απομακρύνετε όλα τα μέρη του σώματος από τη
λάμα. Μην αφαιρείτε το κομμένο υλικό και μην
κρατάτε το υλικό προς κοπή όταν οι λάμες
κινούνται.** Οι λάμες συνεχίζουν να κινούνται μετά την
απενεργοποίηση του διακόπτη. Μια στιγμή
απροσεξίας κατά τη διάρκεια χειρισμού του ψαλιδιού
μπορντούρας μπορεί να προκαλέσει σοβαρό
προσωπικό τραυματισμό.
2. **Μεταφέρετε το ψαλίδι μπορντούρας από τη λαβή
με τη λάμα σταματημένη και προσέχετε να μην
θέσετε τον διακόπτη λειτουργίας σε λειτουργία.** Η
σωστή μεταφορά του ψαλιδιού μπορντούρας θα

- μειώσει τον κίνδυνο αθλήτης έναρξης και τον
επακόλουθο προσωπικό τραυματισμό από τις λάμες.
3. **Κατά τη μεταφορά ή την αποθήκευση του
ψαλιδιού μπορντούρας, να τοποθετείτε πάντα το
κάλυμμα της λαμών.** Ο σωστός χειρισμός του
ψαλιδιού μπορντούρας θα μειώσει τον κίνδυνο
προσωπικού τραυματισμού από τις λάμες.
 4. **Όταν καθαρίζετε μπλοκαρισμένο υλικό ή
πραγματοποιείτε σέρβις στη μονάδα, να
βεβαιώνετε ότι όλοι οι διακόπτες λειτουργίας
είναι σβηστοί και η κασέτα μπαταριών έχει
αφαιρεθεί ή αποσυνδεθεί.** Η απρόσμενη
ενεργοποίηση του ψαλιδιού μπορντούρας κατά τον
καθαρισμό του μπλοκαρισμένου υλικού ή το σέρβις
μπορεί να έχει ως αποτέλεσμα σοβαρό προσωπικό
τραυματισμό.
 5. **Κρατάτε το ψαλίδι μπορντούρας μόνο από τις
μονωμένες επιφάνειες λαβής επειδή η λάμα
μπορεί να κάνει επαφή με το κρυμμένο καλώδιο.**
Σε περίπτωση επαφής των λαμών με ηλεκτροφόρο
καλώδιο, μπορεί να εκτεθειμένα μεταλλικά εξαρτήματα
του ψαλιδιού μπορντούρας να καταστούν τα ίδια
ηλεκτροφόρα και να προκαλέσουν ηλεκτροπληξία στο
χειριστή.
 6. **Να κρατάτε όλα τα ηλεκτρικά καλώδια και τα
σύρματα μακριά από την περιοχή κοπής.** Τα
ηλεκτρικά καλώδια ή τα σύρματα μπορεί να είναι
κρυμμένα στις μπορντούρες ή τους θάμνους και να
κοπούν κατά λάθος από τη λάμα.
 7. **Μην χρησιμοποιείτε το ψαλίδι μπορντούρας σε
άσχημες καιρικές συνθήκες, ειδικά όταν υπάρχει
κίνδυνος κεραυνών.** Αυτό μειώνει τον κίνδυνο να
χτυπηθείτε από κεραυνό.

Επιπρόσθετες οδηγίες για την ασφάλεια

Προετοιμασία

1. **Ελέγχετε τους φράχτες από θάμνους και τους
θάμνους για ξένα αντικείμενα, όπως συρμάτινους
φράχτες ή κρυμμένα καλώδια, πριν θέσετε σε
λειτουργία το εργαλείο.**
2. **Το εργαλείο δεν πρέπει να χρησιμοποιείται από
παιδιά και νέους κάτω των 18 ετών.** Εξαιρούνται
από αυτήν την απαγόρευση οι νέοι άνω των 16 ετών
που εκπαιδεύονται υπό την επίβλεψη ειδικού.
3. **Όσοι χρησιμοποιούν το εργαλείο για πρώτη φορά
θα πρέπει να ζητήσουν από έναν έμπειρο χρήστη
να τους δείξει πώς να χρησιμοποιήσουν το
εργαλείο.**
4. **Να χρησιμοποιείτε το εργαλείο μόνο αν βρίσκεστε
σε καλή σωματική κατάσταση.** Αν είστε
κουρασμένοι, η προσοχή σας θα είναι μειωμένη.
Προσέξτε ιδιαίτερα κατά το τέλος της μέρας εργασίας.
Εκτελέστε όλες τις εργασίες με ηρεμία και προσοχή. Ο
χρήστης είναι υπεύθυνος για όλες τις ζημιές σε άλλα
όργανα.
5. **Μη χρησιμοποιείτε ποτέ το εργαλείο υπό την
επίρροια αλκοόλ, ναρκωτικών ουσιών ή
φαρμάκων.**
6. **Τα γάντια εργασίας από ανθεκτικό δέρμα
αποτελούν μέρος του βασικού εξοπλισμού του
εργαλείου και πρέπει πάντα να φοριούνται κατά
την εργασία με αυτό. Επίσης, να φοράτε σταθερά
παπούτσια με αντιολισθητικές σόλες.**

7. Πριν ξεκινήσετε οποιαδήποτε εργασία, ελέγξτε για να βεβαιωθείτε ότι το εργαλείο βρίσκεται σε καλή και ασφαλή κατάσταση εργασίας. Βεβαιωθείτε ότι οι προφυλακτικές είναι τοποθετημένες σωστά. Το εργαλείο δεν πρέπει να χρησιμοποιηθεί αν δεν είναι πλήρως συναρμολογημένο.

Λειτουργία

1. Κρατήστε το εργαλείο σταθερά και με τα δύο χέρια όταν χρησιμοποιείτε το εργαλείο.
2. Το εργαλείο προορίζεται για χρήση από το χειριστή στο επίπεδο του εδάφους. Μην χρησιμοποιείτε το εργαλείο σε σκάλες ή οποιαδήποτε άλλη ασταθή στήριξη.
3. **KINAYNOS** - Να διατηρείτε τα χέρια σας μακριά από τη λάμα. Η επαφή με τη λάμα θα έχει ως αποτέλεσμα σοβαρό προσωπικό τραυματισμό.
4. Μην χρησιμοποιήσετε το εργαλείο στη βροχή ή σε βρεγμένες ή πολύ νωπές συνθήκες. Το ηλεκτρικό μοτέρ δεν είναι αδιάβροχο.
5. Να βεβαιώνετε ότι στέκεστε σταθερά πριν ξεκινήσετε μια εργασία.
6. Μην θέτετε το εργαλείο σε λειτουργία χωρίς φορτίο όταν αυτό δεν είναι απαραίτητο.
7. Να σβήνετε αμέσως το εργαλείο και να βγάζετε την κασέτα μπαταριών αν οι λάμες κουρευτικού έρθουν σε επαφή με φράχτη ή άλλο σκληρό αντικείμενο. Ελέγξτε τις λάμες για ζημιά και, αν υπάρχει ζημιά, αντικαταστήστε αμέσως τις λάμες.
8. Πριν ελέγξετε τις λάμες κουρευτικού, διορθώστε τυχόν βλάβες ή αφαιρέστε υλικά που πιάστηκαν στις λάμες κουρευτικού, να σβήνετε πάντα το εργαλείο και να βγάξετε την κασέτα μπαταριών.
9. Μην στρέψετε ποτέ τις λάμες κουρευτικού προς το μέρος σας ή προς τους άλλους.
10. Αν οι λάμες σταματήσουν να κινούνται επειδή κόλλησαν ξένα αντικείμενα μεταξύ των λαμών κατά τη λειτουργία, σβήστε το εργαλείο και αφαιρέστε την κασέτα μπαταριών, μετά αφαιρέστε το ξένο αντικείμενο χρησιμοποιώντας κάποιο εργαλείο, όπως μια πένσα. Η αφαίρεση των ξένων αντικειμένων με το χέρι μπορεί να προκαλέσει τραυματισμό, επειδή οι λάμες μπορεί να κινηθούν σε αντίδραση της αφαίρεσης των ξένων αντικειμένων.
11. Να αποφεύγετε τα επικίνδυνα περιβάλλοντα. Μην χρησιμοποιείτε το εργαλείο σε υγραμένο ή υγρό χώρο ούτε να το εκθέτετε στη βροχή. Η είσοδος νερού στο εργαλείο μπορεί να αυξήσει τον κίνδυνο πρόκλησης ηλεκτροπληξίας.

Συντήρηση και αποθήκευση

1. Σβήστε το εργαλείο και βγάλτε την κασέτα μπαταριών πριν εκτελέσετε οποιαδήποτε εργασία συντήρησης.
2. Όταν μετακινείτε το εργαλείο σε άλλη τοποθεσία, συμπεριλαμβανοντας κατά τη διάρκεια της εργασίας, να αφαιρείτε πάντα την κασέτα μπαταριών και να τοποθετείτε το κάλυμμα λαμών στις λάμες κουρευτικού. Μην μεταφέρετε ποτέ το εργαλείο με τις λάμες σε λειτουργία. Μην πιάνετε ποτέ τις λάμες με τα χέρια σας.
3. Να καθαρίζετε το εργαλείο, και ειδικά τις λάμες κουρευτικού, μετά τη χρήση και πριν τοποθετήσετε το εργαλείο για αποθήκευση για

μεγάλες χρονικές περιόδους. Λιπάνετε ελαφρά τις λάμες και τοποθετήστε το κάλυμμα λαμών.

4. Αποθηκεύστε το εργαλείο με τοποθετημένο το κάλυμμα λαμών, σε ένα δωμάτιο χωρίς υγρασία. Φυλάξτε το μακριά από παιδιά. Μην αποθηκεύετε ποτέ το εργαλείο σε εξωτερικό χώρο.
5. Μην απορρίπτετε την μπαταρία(ίες) στη φωτιά. Το κελί μπορεί να εκραγεί. Συμβουλευτείτε τους τοπικούς κώδικες για πιθανές ειδικές οδηγίες απόρριψης.
6. Μην απορρίπτετε και μην καταστρέψετε την μπαταρία(ίες). Ο ηλεκτρολύτης που εκλύεται είναι διαβρωτικός και μπορεί να προκαλέσει ζημιά στα μάτια ή στο δέρμα. Σε περίπτωση κατάποσης, μπορεί να είναι τοξικό.
7. Μην φορτίζετε την μπαταρία στη βροχή, αλλά ούτε σε υγρές τοποθεσίες.

ΦΥΛΑΞΤΕ ΤΙΣ ΟΔΗΓΙΕΣ ΑΥΤΕΣ.

⚠️ ΠΡΟΕΙΔΟΠΟΙΗΣΗ:

ΜΗΝ επιτρέψετε το βαθμό άνεσης ή εξοικείωσης με το προϊόν (λόγω επανειλημμένης χρήσης) να αντικαταστήσει την αυστηρή τήρηση των κανόνων ασφαλείας του παρόντος εργαλείου. Η **ΛΑΝΘΑΣΜΕΝΗ ΧΡΗΣΗ** ή η αμέλεια να ακολουθήσετε τους κανόνες ασφαλείας που διατυπώνονται στο παρόν εγχειρίδιο οδηγιών μπορεί να προκαλέσει σοβαρό προσωπικό τραυματισμό.

Σημαντικες οδηγίες ασφαλείας για κασέτα μπαταριών

ENC007-16

1. Πριν χρησιμοποιήσετε την κασέτα μπαταριών, διαβάστε όλες τις οδηγίες και σημειώσεις προφύλαξης (1) στον φορτιστή μπαταριών, (2) στην μπαταρία και (3) στο προϊόν που χρησιμοποιεί την μπαταρία.
2. Μην αποσυναρμολογήσετε ή παραβιάσετε την κασέτα μπαταριών. Μπορεί να έχει ως αποτέλεσμα πυρκαγιά, υπερθέρμανση ή έκρηξη.
3. Εάν ο χρόνος λειτουργίας έχει γίνει υπερβολικά βραχύς, σταματήστε τη λειτουργία αμέσως. Αλλιώς, μπορεί να έχει ως αποτέλεσμα κίνδυνο υπερθέρμανσης, πιθανά εγκαύματα ή ακόμη και έκρηξη.
4. Εάν ηλεκτρολύτης μπει στα μάτια σας, ξεπλύνετε τα με καθαρό νερό και ζητήστε ιατρική φροντίδα αμέσως. Αλλιώς, μπορεί να έχει ως αποτέλεσμα απώλεια της όρασης σας.
5. Μην βραχυκυκλώνετε την κασέτα μπαταριών:
 - (1) Μην αγγίζετε τους πόλους με οτιδήποτε αγώγιμο υλικό.
 - (2) Αποφεύγετε να αποθηκεύετε την κασέτα μπαταριών μέσα σε ένα δοχείο μαζί με άλλα μεταλλικά αντικείμενα όπως καρφιά, νομίσματα, κλπ.
 - (3) Μην εκθέτετε την κασέτα μπαταριών στο νερό ή στη βροχή.

Ένα βραχυκύκλωμα μπαταρίας μπορεί να προκαλέσει μεγάλη ροή ρεύματος, υπερθέρμανση, πιθανά εγκαύματα ακόμη και σοβαρή βλάβη.

6. Μην αποθηκεύετε και μην χρησιμοποιείτε το εργαλείο και την κασέτα μπαταριών σε τοποθεσίες όπου η θερμοκρασία μπορεί να φτάσει ή να ξεπεράσει τους 50°C.
7. Μην καίτε την κασέτα μπαταριών ακόμη και εάν έχει σοβαρή ζημιά ή είναι εντελώς φθαρμένη. Η κασέτα μπαταριών μπορεί να εκραγεί στη φωτιά.
8. Μην καρφώσετε, κόψετε, συνθλίψετε, πετάξετε ή ρίξετε κάτω την κασέτα μπαταριών, ούτε να χτυπήσετε ένα σκληρό αντικείμενο επάνω στην κασέτα μπαταριών. Τέτοια συμπεριφορά μπορεί να έχει ως αποτέλεσμα πυρκαγιά, υπερθέρμανση ή έκρηξη.
9. Μην χρησιμοποιείτε μπαταρία που έχει υποστεί ζημιά.
10. Οι μπαταρίες ιόντων λιθίου που περιέχονται υπόκεινται στις απαιτήσεις της νομοθεσίας για επικίνδυνα αγαθά.
Για εμπορικές μεταφορές, για παράδειγμα από τρίτα μέρη, πρέπει να τηρούνται οι διαμεταφορές, οι ειδικές απαιτήσεις στη συσκευασία και η επισήμανση. Για προετοιμασία του στοιχείου που αποστέλλεται, είναι απαραίτητο να συμβουλευτείτε έναν ειδικό για επικίνδυνα υλικά. Επίσης, τηρήστε τους πιθανούς, πιο αναλυτικούς εθνικούς κανονισμούς.
Καλύψτε με αυτοκόλλητη ταινία ή κρύψτε τις ανοικτές επαφές και συσκευάστε την μπαταρία με τρόπο που να μην μπορεί να μετακινείται μέσα στη συσκευασία.
11. Όταν απορρίπτετε την κασέτα μπαταριών, αφαιρέστε την από το εργαλείο και διαθέστε την σε ένα ασφαλές μέρος. Τηρήστε τους τοπικούς κανονισμούς που σχετίζονται με τη διάθεση της μπαταρίας.
12. Χρησιμοποιήστε τις μπαταρίες μόνο με τα προϊόντα που καθορίζει η Makita. Αν τοποθετήσετε τις μπαταρίες σε μη συμβατά προϊόντα μπορεί να έχει ως αποτέλεσμα πυρκαγιά, υπερβολική θερμότητα, έκρηξη ή διαρροή ηλεκτρολύτη.
13. Αν δεν χρησιμοποιείτε το εργαλείο για μεγάλο χρονικό διάστημα, πρέπει να βγάλετε την μπαταρία από το εργαλείο.
14. Κατά τη διάρκεια και μετά τη χρήση, η κασέτα μπαταριών μπορεί να θερμανθεί, γεγονός που μπορεί να προκαλέσει εγκαύματα ή εγκαύματα από χαμηλή θερμοκρασία. Προσέχετε το χειρισμό των ζεστών κασετών μπαταριών.
15. Μην αγγίζετε τον ακροδέκτη του εργαλείου αμέσως μετά τη χρήση επειδή μπορεί να έχει ζεσταθεί αρκετά για να προκαλέσει εγκαύματα.
16. Μην αφήνετε θραύσματα, σκόνη ή βρομιά να κολλήσει στους ακροδέκτες, τις οπές και τις εγκοπές της κασέτας μπαταριών. Μπορεί να έχει ως αποτέλεσμα κακή απόδοση ή σπάσιμο του εργαλείου ή της κασέτας μπαταριών.
17. Εκτός αν το εργαλείο υποστηρίζει τη χρήση κοντά σε ηλεκτρικές γραμμές υψηλής τάσης, μην χρησιμοποιείτε την κασέτα μπαταριών κοντά σε ηλεκτρικές γραμμές υψηλής τάσης. Μπορεί να έχει ως αποτέλεσμα δυσλειτουργία ή σπάσιμο του εργαλείου ή της κασέτας μπαταριών.
18. ΚρΦυλάξτε την μπαταρία μακριά από παιδιά.

ΦΥΛΑΞΤΕ ΤΙΣ ΟΔΗΓΙΕΣ ΑΥΤΕΣ.

⚠ ΠΡΟΣΟΧΗ: Να χρησιμοποιείτε μόνο γνήσιες μπαταρίες της Makita. Η χρήση μη γνήσιων μπαταριών Makita, ή μπαταριών που έχουν τροποποιηθεί, μπορεί να έχει ως αποτέλεσμα τη ρήξη της μπαταρίας, προκαλώντας πυρκαγιά, προσωπικό τραυματισμό και βλάβη. Επίσης, θα ακυρωθεί η εγγύηση της Makita για το εργαλείο και φορτιστή Makita.

Συμβουλές για τη διατήρηση της μέγιστης ζωής μπαταρίας

1. Φορτίζετε την κασέτα μπαταριών πριν από την πλήρη αποφόρτιση της. Πάντοτε να σταματάτε τη λειτουργία του εργαλείου και να φορτίζετε την κασέτα μπαταριών όταν παρατηρείτε μειωμένη ισχύ εργαλείου.
2. Ποτέ μην επαναφορτίζετε μια πλήρως φορτισμένη κασέτα μπαταριών. Η υπερφόρτιση μειώνει την ωφέλιμη ζωή της μπαταρίας.
3. Να φορτίζετε την κασέτα μπαταριών σε θερμοκρασία δωματίου, δηλαδή στους 10°C έως 40°C. Αφήστε μια θερμή κασέτα μπαταριών να κρυώσει πριν την φορτίσετε.
4. Όταν δεν χρησιμοποιείτε την κασέτα μπαταριών, αφαιρέστε την από το εργαλείο ή τον φορτιστή.
5. Να φορτίζετε την κασέτα μπαταριών εάν δεν τη χρησιμοποιείτε για μεγάλη χρονική περίοδο (περισσότερο από έξι μήνες).

ΠΕΡΙΓΡΑΦΗ ΛΕΙΤΟΥΡΓΙΑΣ

⚠ ΠΡΟΣΟΧΗ:

- Να βεβαιώνετε πάντοτε ότι έχετε σβήσει το εργαλείο και έχετε βγάλει την μπαταρία πριν ρυθμίσετε ή ελέγξετε κάποια λειτουργία του εργαλείου.

Τοποθέτηση ή αφαίρεση της κασέτας μπαταρίας (Εικ. 1)

⚠ ΠΡΟΣΟΧΗ:

- Πάντοτε να απενεργοποιείτε το εργαλείο πριν από την τοποθέτηση ή την αφαίρεση της κασέτας μπαταρίας.
- Κρατήστε το εργαλείο και την κασέτα μπαταρίας γερά κατά την τοποθέτηση ή την αφαίρεση της κασέτας μπαταρίας. Εάν δεν κρατήσετε το εργαλείο και την μπαταρία καλά μπορεί να γλιστρήσουν από τα χέρια σας και να προκληθεί ζημιά στο εργαλείο και στη μπαταρία αλλά και προσωπικός τραυματισμός.

Για να βγάλετε την κασέτα μπαταρίας, σύρετε την από το εργαλείο ολισθαίνοντας το κουμπί στο μπροστινό μέρος της κασέτας.

Για να τοποθετήσετε την κασέτα μπαταρίας, ευθυγραμμίστε τη γλωττίδα της κασέτας μπαταρίας με την εγκοπή στο περίβλημα και ολισθήστε τη στη θέση της. Τοποθετήστε τη έως το τέρμα, δηλαδή έως ότου ασφαλίσει στη θέση και ακουστεί ένας χαρακτηριστικός ήχος "κλικ". Αν μπορείτε να δείτε την κόκκινη ένδειξη στην πάνω πλευρά του κουμπιού, η μπαταρία δεν είναι πλήρως ασφαλισμένη.

⚠ ΠΡΟΣΟΧΗ:

- Πάντοτε να τοποθετείτε πλήρως την κασέτα μπαταρίας να μη φαίνεται η κόκκινη ένδειξη. Σε αντίθετη περίπτωση, μπορεί να πέσει κατά λάθος από το

εργαλείο και να τραυματίσει εσάς ή κάποιον παρευρισκόμενο.

- Μην εισάγετε με τη βία την κασέτα μπαταρίας. Αν η κασέτα δεν ολισθαίνει με ευκολία, δεν την εισαγάγετε σωστά.

Σύστημα προστασίας μπαταρίας (Μπαταρία ιόντων λιθίου με την ένδειξη άστρου) (Εικ. 2)

Οι μπαταρίες ιόντων λιθίου με ένδειξη άστρου είναι εφοδιασμένες με ένα σύστημα προστασίας. Αυτό το σύστημα διακόπτει αυτόματα το ρεύμα στο εργαλείο για να παρατείνεται η διάρκεια ζωής της μπαταρίας. Το εργαλείο θα σταματήσει αυτόματα κατά τη λειτουργία όταν το εργαλείο και/ή η μπαταρία υποστούν τις παρακάτω συνθήκες.

- Υπερφόρτιση:

Το εργαλείο λειτουργεί με τρόπο που προκαλεί την κατανάλωση ασυνήθιστα υψηλής ποσότητας ρεύματος.

Στην περίπτωση αυτή, ελευθερώστε σκανδάλη-διακόπτης του εργαλείου και σταματήστε την εφαρμογή που προκάλεσε την υπερφόρτωση του εργαλείου. Στη συνέχεια, τραβήξτε τη σκανδάλη-διακόπτης ξανά για επανεκκίνηση.

Εάν το εργαλείο δεν ξεκινά, η μπαταρία έχει υπερθερμανθεί. Στην περίπτωση αυτή, αφήστε την μπαταρία να κρυώσει πριν τραβήξετε τη σκανδάλη-διακόπτης ξανά.












- Χαμηλή τάση της μπαταρίας:

Η εναπομένουσα ποσότητα ρεύματος της μπαταρίας είναι πολύ χαμηλή και το εργαλείο δεν θα λειτουργήσει. Σε αυτήν την περίπτωση, αφαιρέστε και επαναφορτίστε τη μπαταρία.

Ένδειξη της εναπομένουσας χωρητικότητας της μπαταρίας

(Μόνο για τις κασέτες μπαταρία με "B" στο τέλος του αριθμού μοντέλου.) (Εικ. 3)

Πατήστε το κουμπί ελέγχου στην κασέτα μπαταρίας για να εμφανιστεί η υπολειπόμενη χωρητικότητα της μπαταρίας. Οι ενδεικτικές λυχνίες θα ανάψουν για μερικά δευτερόλεπτα.

Ενδεικτικές λυχνίες			Εναπομένουσα χωρητικότητα
 Αναμμένες	 Σβηστές	 Αναβοσβήνουν	
			75% έως 100%
			50% έως 75%
			25% έως 50%
			0% έως 25%
			Φορτίστε τη μπαταρία.
			Η μπαταρία μπορεί να δυσλειτουργεί.

015658

ΣΗΜΕΙΩΣΗ:

- Ανάλογα με τις συνθήκες χρήσης και τη θερμοκρασία περιβάλλοντος, η ένδειξη μπορεί να διαφέρει ελαφρώς από την πραγματική χωρητικότητα.

Δράση διακόπτη

⚠ ΠΡΟΣΟΧΗ:

- Πριν την τοποθέτηση της μπαταρίας στο εργαλείο, πάντοτε να ελέγχετε ότι η σκανδάλη-διακόπτης ενεργοποιείται κανονικά και επιστρέφει στη θέση "OFF" όταν την αφήνετε. (Εικ. 4)

Για την ασφάλειά σας αυτό το εργαλείο είναι εφοδιασμένο με ένα διπλό σύστημα διακοπών. Για να ενεργοποιήσετε το εργαλείο, πατήστε το κουμπί ασφάλισης και τις σκανδάλες A και B. Ελευθερώστε την μια από τις δυο πατημένες σκανδάλες για την απενεργοποίηση του εργαλείου. Δεν έχει σημασία η σειρά με την οποία θα ενεργοποιηθούν οι σκανδάλες επειδή το εργαλείο ξεκινά μόνο όταν ενεργοποιηθούν και οι δυο σκανδάλες.

Ενδεικτική λυχνία (Εικ. 5)

Όταν λειτουργεί το εργαλείο η ενδεικτική λυχνία δείχνει την κατάσταση χωρητικότητας της κασέτας μπαταρίας. Όταν το εργαλείο υπερφορτωθεί και σταματήσει τη λειτουργία, η ενδεικτική λυχνία ανάβει στο κόκκινο. Ανατρέξτε στον παρακάτω πίνακα για την κατάσταση της ενδεικτικής λυχνίας και τις ενέργειες που πρέπει να γίνουν.

Ενδεικτική λυχνία	Κατάσταση	Ενέργεια που πρέπει να γίνει
Η λυχνία αναβοσβήνει στο κόκκινο	Αυτό δείχνει τον κατάλληλο χρόνο για την αντικατάσταση της κασέτας μπαταρίας όταν αυτή εξασθενήσει.	Επαναφορτίστε τη μπαταρία όσο το δυνατόν συντομότερα.
Η λυχνία ανάβει στο κόκκινο. (Σημείωση 1)	Αυτή η λειτουργία ενεργοποιείται όταν η ισχύς της μπαταρίας είναι σχεδόν εξαντλημένη. Τη στιγμή αυτή το εργαλείο σταματά αμέσως.	Επαναφορτίστε τη μπαταρία.
Η λυχνία ανάβει στο κόκκινο. (Σημείωση 1)	Αυτόματη διακοπή λόγω υπερφόρτωσης	Απενεργοποιήστε το εργαλείο.

Σημείωση 1: Ο χρόνος κατά τον οποίο ανάβει η ενδεικτική λυχνία διαφέρει ανάλογα με τη θερμοκρασία γύρω από το χώρο εργασίας και τις συνθήκες της κασέτας μπαταρίας.

010970

ΛΕΙΤΟΥΡΓΙΑ

ΠΡΟΣΟΧΗ:

- Να προσέξετε να μην έρθετε σε επαφή κατά τύχη με ένα μεταλλικό φράκτη ή με άλλα σκληρά αντικείμενα κατά το κλάδεμα. Η λεπίδα θα σπάσει και μπορεί να προκαλέσει σοβαρό τραυματισμό.
- Το υπερβολικό τέντωμα με το ψαλίδι μπροντούρας, ιδιαίτερα από μια σκάλα είναι υπερβολικά επικίνδυνο. Να μην εργάζεστε από μια κινούμενη ή ασταθή θέση.

ΕΙΔΟΠΟΙΗΣΗ:

Μην προσπαθήσετε να κόψετε κλαδιά με διάμετρο πάχους μεγαλύτερη από 10 mm με αυτό το εργαλείο. Να κόβετε τα κλαδιά 10 cm χαμηλότερα σε σχέση με το ύψος κοπής χρησιμοποιώντας κόφτες κλαδιών πριν χρησιμοποιήσετε το εργαλείο. **(Εικ. 6)**

ΠΡΟΣΟΧΗ:

- Μην κόβετε ξερά δένδρα ή παρόμοια σκληρά αντικείμενα. Αν δεν τηρήσετε αυτή την οδηγία, μπορεί να προκληθεί ζημιά στο εργαλείο. **(Εικ. 7)**
- Κρατήστε το ψαλίδι με τα δύο σας χέρια και τραβήξτε τη σκανδάλη-διακόπτης Α ή Β και μετακινήστε το μπροστά από το σώμα σας. **(Εικ. 8)**

Για τη βασική λειτουργία, στρέψτε τις λεπίδες προς την διεύθυνση κλαδέματος και κινήστε το ήρεμα και αργά με μια ταχύτητα 3 - 4 δευτερολέπτων το μέτρο. **(Εικ. 9)**

Η ομοιόμορφη κοπή της κορυφής ενός φράκτη, γίνεται ευκολότερη με το δέσιμο ενός κορδονιού στο επιθυμητό ύψος και το κλάδεμα κατά μήκος της, χρησιμοποιώντας την ως γραμμή αναφοράς. **(Εικ. 10)**

Η τοποθέτηση του συλλογέα θραυσμάτων (προαιρετικό αξεσουάρ) στο εργαλείο κατά το κλάδεμα του φράκτη σε ευθεία μπορεί να βοηθήσει στην αποφυγή του πετάγματος των κομμένων φύλλων. **(Εικ. 11)**

Για την ίσια κοπή των πλαϊνών του φράκτη, θα βοηθηθείτε εάν κόβετε από κάτω προς τα πάνω. **(Εικ. 12)**
Να κλαδεύετε ένα πυξό ή ένα ροδόδεντρο από τη βάση προς τα επάνω ώστε να γίνει μια καλή δουλειά και να δημιουργηθεί μια ωραία εμφάνιση.

Τοποθέτηση ή αφαίρεση του συλλέκτη θραυσμάτων (προαιρετικό αξεσουάρ)

ΠΡΟΣΟΧΗ:

- Να βεβαιώνετε πάντοτε ότι το εργαλείο είναι σβηστό και αποσυνδεδεμένο από το ηλεκτρικό ρεύμα πριν τοποθετήσετε ή αφαιρέσετε το συλλέκτη θραυσμάτων.

ΣΗΜΕΙΩΣΗ:

- Κατά την αντικατάσταση του συλλέκτη θραυσμάτων, πάντοτε να φοράτε γάντια έτσι ώστε τα χέρια σας και το πρόσωπό σας να μην έρχονται σε άμεση επαφή με τη λεπίδα. Αν δεν τηρήσετε αυτή την οδηγία, μπορεί να προκληθεί προσωπικός τραυματισμός.
- Πάντοτε να φροντίζετε να αφαιρέτε το κάλυμμα των λεπίδων πριν την εγκατάσταση του συλλέκτη θραυσμάτων.
- Ο συλλέκτης θραυσμάτων δέχεται κομμένα φύλλα και μετράζει το πέταγμα των φύλλων. Μπορείτε να τον τοποθετήσετε σε οποιαδήποτε πλευρά του εργαλείου. **(Εικ. 13)**

Πίστετε τον συλλέκτη θραυσμάτων στις λεπίδες κοπής έτσι ώστε οι σχισμές του να επικαλύπτονται τα ξαζιμάδια των λεπίδων κοπής. **(Εικ. 14)**

Τη στιγμή αυτή, ο συλλέκτης θραυσμάτων χρειάζεται να τοποθετηθεί με τέτοιο τρόπο ώστε τα άγκιστρα του να ταιριάζουν μέσα στις αυλακώσεις της μονάδας των λεπίδων κοπής. **(Εικ. 15)**

Για να βγάλετε τον συλλέκτη θραυσμάτων, πιέστε το μοχλό και στις δύο πλευρές έτσι ώστε να απασφαλίσουν τα άγκιστρα.

ΠΡΟΣΟΧΗ:

- Το κάλυμμα των λεπίδων (βασικός εξοπλισμός) δεν μπορεί να τοποθετηθεί πάνω στο εργαλείο με εγκαταστημένο το συλλέκτη θραυσμάτων. Πριν από την μεταφορά ή την αποθήκευση, αφαιρέστε τον συλλέκτη θραυσμάτων και μετά τοποθετήστε το κάλυμμα των λεπίδων για να αποφύγετε την έκθεση των λεπίδων.

ΣΗΜΕΙΩΣΗ:

- Ελέγξτε ότι ο συλλέκτης θραυσμάτων έχει τοποθετηθεί σταθερά πριν από την χρήση.
- Ποτέ να μην προσπαθήσετε να αφαιρέσετε τον συλλέκτη θραυσμάτων με τη χρήση υπερβολικής βίας καθώς τα άγκιστρα του είναι ασφαλισμένα στις αυλακώσεις στη μονάδα των λεπίδων. Η χρήση υπερβολικής δύναμης μπορεί να τον καταστρέψει.

ΣΥΝΤΗΡΗΣΗ

ΠΡΟΣΟΧΗ:

- Να βεβαιώνετε πάντοτε ότι έχετε σβήσει το εργαλείο και έχετε βγάλει την μπαταρία πριν εκτελέσετε οποιαδήποτε εργασία ελέγχου ή συντήρησης σε αυτό.

Καθαρισμός του εργαλείου

Καθαρίστε το εργαλείο σκουπίζοντας την σκόνη με ένα στεγνό πανί ή με ένα πανί βουτηγμένο σε σαπουνόνερο.

⚠️ ΠΡΟΣΟΧΗ:

- Μην χρησιμοποιήσετε ποτέ βενζίνη, βενζόλη, διαλυτικό, αλκοόλη ή κάτι παρόμοιο. Μπορεί να προκληθεί αποχρωματισμός, παραμόρφωση ή ρωγμές.

Συντήρηση λεπίδας

Επαλείψτε την λεπίδα πριν από τη λειτουργία και μια φορά κάθε μια ώρα λειτουργίας, χρησιμοποιώντας μηχανικό λάδι ή κάτι παρόμοιο.

ΣΗΜΕΙΩΣΗ:

- Πριν την επάλειψη της λεπίδας, αφαιρέστε το συλλέκτη θραυσμάτων.

Μετά τη λειτουργία, αφαιρέστε την σκόνη από τις δυο πλευρές της λεπίδας με μια συρματόβουρτσα, σκουπίστε με ένα πανί και μετά βάλτε αρκετό λάδι χαμηλού ιξώδους, όπως μηχανικό λάδι, κτλ. και λιπαντικό ψεκασμού.

⚠️ ΠΡΟΣΟΧΗ:

- Μην πλύνετε τις λεπίδες με νερό. Αν δεν τηρήσετε αυτή την οδηγία, μπορεί να προκληθεί σκουριά ή φθορά στο εργαλείο.

Αφαίρεση ή τοποθέτηση της λεπίδας κοπής

⚠️ ΠΡΟΣΟΧΗ:

- Πριν από την αφαίρεση ή την τοποθέτηση της λεπίδας κοπής, πάντοτε να φροντίζετε να απενεργοποιείτε το εργαλείο και να αφαιρείτε την μπαταρία.
- Κατά την αντικατάσταση της λεπίδας κοπής, πάντοτε να φοράτε γάντια χωρίς να αφαιρέσετε το κάλυμμα των λεπίδων έτσι ώστε τα χέρια σας και το πρόσωπό σας να μην έρχονται σε άμεση επαφή με τη λεπίδα. Αν δεν τηρήσετε αυτή την οδηγία, μπορεί να προκληθεί προσωπικός τραυματισμός.

ΣΗΜΕΙΩΣΗ:

- Μην σκουπίζετε το γράσο από το γρاناζι και το στρόφαλο. Αν δεν τηρήσετε αυτή την οδηγία, μπορεί να προκληθεί ζημιά στο εργαλείο.

Αφαίρεση των λεπίδων κοπής (Εικ. 16)

Αναστρέψτε το εργαλείο, ξεσφίξτε τις τέσσερις βίδες και αφαιρέστε το κάτω κάλυμμα.

ΣΗΜΕΙΩΣΗ:

- Προσέξτε να μην λερώσετε τα χέρια σας επειδή υπάρχει γράσο στην επιφάνεια κίνησης της λεπίδας κοπής. (Εικ. 17)

Χαλαρώστε τις τέσσερις βίδες και αφαιρέστε τις λεπίδες. Αφαιρέστε τη ροδέλα και το σπόνγγο από τις λεπίδες κοπής και φυλάξτε τις. Απαιτούνται για μεταγενέστερη εγκατάσταση. (Εικ. 18)

Αν τα έδρανα παραμένουν μέσα στις τρύπες του γραναζιού, αφαιρέστε το γρاناζι και στρώστε τα έδρανα έξω από αυτό με ένα κατασβίδι ή κάτι παρόμοιο.

ΣΗΜΕΙΩΣΗ:

Η ροδέλα κάτω από το γρاناζι μπορεί να βγει έξω κατά λάθος κατά την αφαίρεση του γραναζιού. Στην περίπτωση αυτή, επαναφέρετε τη στην αρχική της θέση όπως ήταν εγκαταστημένη.

Τοποθέτηση της λεπίδας κοπής (Εικ. 19)

Αφαιρέστε το κάλυμμα των λεπίδων από τις παλιές λεπίδες κοπής και τοποθετήστε το πάνω στις καινούργιες αποφεύγοντας την επαφή με τις λεπίδες. (Εικ. 20)

Προσαρμόστε τις θέσεις των οπών περιστρέφοντας το γρανάζι όπως παρουσιάζεται στην εικόνα. (Εικ. 21 και 22)

Τοποθετήστε λίγο γράσο που παρέχεται με τις καινούργιες λεπίδες κοπής όπως παρουσιάζεται στην εικόνα. (Εικ. 23)

Τοποθετήστε τον σπόνγγο που είχε αφαιρεθεί στην ίδια θέση με την παλιά. Φροντίστε ότι τα έδρανα που παρέχονται με τις καινούργιες λεπίδες κοπής είναι τοποθετημένα πάνω στους πείρους της λεπίδας.

Τοποθετήστε τις καινούργιες λεπίδες κοπής πάνω στο εργαλείο έτσι ώστε οι πείροι να ταιριάζουν πάνω στο γρανάζι. Αν τα έδρανα βγουν έξω από τους πείρους κατά λάθος, τοποθετήστε τα προηγουμένως μέσα στις τρύπες του γραναζιού. (Εικ. 24)

Τοποθετήστε τη λεπίδα και σφίξτε τις τέσσερις βίδες και τοποθετήστε την ροδέλα που είχε αφαιρεθεί στην ίδια θέση με την παλιά. (Εικ. 25)

Τοποθετήστε το κάτω κάλυμμα του εργαλείου και σφίξτε καλά τις τέσσερις βίδες.

Τοποθετήστε τη λεπίδα και σφίξτε τις τέσσερις βίδες και τοποθετήστε την ροδέλα που είχε αφαιρεθεί στην ίδια θέση με την παλιά. (Εικ. 25)

Τοποθετήστε το κάτω κάλυμμα του εργαλείου και σφίξτε καλά τις τέσσερις βίδες.

Αποθήκευση

Η τρύπα του γάντζου στη βάση του εργαλείου είναι βολική για το κρέμασμα του εργαλείου από ένα καρφί ή μια βίδα στον τοίχο. (Εικ. 26)

Αφαιρέστε τη μπαταρία και τοποθετήστε το κάλυμμα των λεπίδων πάνω στις λεπίδες κοπής έτσι ώστε οι λεπίδες να μην είναι εκτεθειμένες. Αποθηκεύστε προσεκτικά το εργαλείο σε χώρο όπου βρίσκεται μακριά από την πρόσβαση των παιδιών.

Αποθηκεύστε το εργαλείο σε ένα χώρο που δεν είναι εκτεθειμένο στο νερό ή στη βροχή.

Για να διατηρείται η ΑΣΦΑΛΕΙΑ και η ΑΞΙΟΠΙΣΤΙΑ του προϊόντος, οι εργασίες επισκευής, καθώς και οποιαδήποτε άλλη εργασία συντήρησης ή ρύθμισης, θα πρέπει να εκτελούνται σε εξουσιοδοτημένα κέντρα εξυπηρέτησης της Makita, και πάντοτε με τη χρήση ανταλλακτικών της Makita.

ΠΡΟΑΙΡΕΤΙΚΑ ΑΞΕΣΟΥΑΡ

⚠️ ΠΡΟΣΟΧΗ:

- Συνιστάται η χρήση αυτών των αξεσουάρ ή εξαρτημάτων με το εργαλείο της Makita, όπως περιγράφεται στο παρόν εγχειρίδιο. Αν χρησιμοποιήσετε άλλα αξεσουάρ ή εξαρτήματα μπορεί να παρουσιαστεί κίνδυνος για πρόκληση τραυματισμού προσώπων. Να χρησιμοποιείτε τα αξεσουάρ και τα εξαρτήματα μόνο για το σκοπό για τον οποίο προορίζονται.

Αν χρειάζεστε κάποια βοήθεια ή περισσότερες πληροφορίες σχετικά με τα αξεσουάρ αυτά, απευθυνθείτε στο πλησιέστερο κέντρο εξυπηρέτησης της Makita.

- Κάλυμμα λεπίδων
- Συγκρότημα λεπίδων κοπής
- Αυθεντική μπαταρία και φορτιστής της Makita
- Συλλέκτης θραυσμάτων

ΣΗΜΕΙΩΣΗ:

- Ορισμένα από τα στοιχεία της λίστα μπορεί να περιέχονται στην συσκευασία του εργαλείου ως κανονικά αξεσουάρ. Αυτά ενδέχεται να διαφέρουν από χώρα σε χώρα.

Θόρυβος

ENG905-1

Το σύνθημα σταθμισμένο επίπεδο θορύβου που έχει καθοριστεί σύμφωνα με την EN62841-4-2:

Μοντέλα DUH483

Επίπεδο ηχητικής πίεσης (L_{pA}): 73 dB (A)

Αβεβαιότητα (K): 3,9 dB (A)

Το επίπεδο θορύβου σε λειτουργία ενδέχεται να υπερβεί τα 80 dB (A).

Μοντέλα DUH523

Επίπεδο ηχητικής πίεσης (L_{pA}): 73 dB (A)

Αβεβαιότητα (K): 4,3 dB (A)

Το επίπεδο θορύβου σε λειτουργία ενδέχεται να υπερβεί τα 80 dB (A).

ENG907-1

- Η δηλωμένη τιμή(ές) εκπομπής θορύβου έχει μετρηθεί σύμφωνα με την πρότυπη μέθοδο δοκιμής και μπορεί να χρησιμοποιηθεί για τη σύγκριση ενός εργαλείου με κάποιο άλλο.
- Η δηλωμένη τιμή(ές) εκπομπής θορύβου μπορεί να χρησιμοποιηθεί και στην προκαταρκτική αξιολόγηση της έκθεσης.

ΠΡΟΕΙΔΟΠΟΙΗΣΗ:

- **Να φοράτε ωτοασπίδες.**
- **Η εκπομπή θορύβου κατά τη χρήση του ηλεκτρικού εργαλείου σε πραγματικές συνθήκες μπορεί να διαφέρει από τη δηλωμένη τιμή(ές) ανάλογα με τους τρόπους χρήσης του εργαλείου, ιδιαίτερα το είδος του τεμαχίου εργασίας που υπόκειται επεξεργασία.**
- **Φροντίστε να λάβετε τα κατάλληλα μέτρα προστασίας του χειριστή βάσει ενός υπολογισμού της έκθεσης σε πραγματικές συνθήκες χρήσης (λαμβάνοντας υπόψη όλες τις συνιστώσες του κύκλου λειτουργίας όπως τους χρόνους που το εργαλείο είναι εκτός λειτουργίας και όταν βρίσκεται σε αδρανή λειτουργία πέραν του χρόνου ενεργοποίησης).**

Δόνηση

ENG900-1

Η συνολική τιμή δόνησης (διανυσματικό άθροισμα τριών αξόνων) που έχει καθοριστεί σύμφωνα με την EN62841-4-2:

Εκπομπή δόνησης (a_h): 2,5 m/s² ή λιγότερο

Αβεβαιότητα (K): 1,5 m/s²

ENG901-2

- Η δηλωμένη τιμή(ές) συνολικών κραδασμών έχει μετρηθεί σύμφωνα με την πρότυπη μέθοδο δοκιμής και μπορεί να χρησιμοποιηθεί για τη σύγκριση ενός εργαλείου με κάποιο άλλο.
- Η δηλωμένη τιμή(ές) συνολικών κραδασμών μπορεί να χρησιμοποιηθεί και στην προκαταρκτική αξιολόγηση της έκθεσης.

ΠΡΟΕΙΔΟΠΟΙΗΣΗ:

- **Η εκπομπή κραδασμών κατά τη χρήση του ηλεκτρικού εργαλείου σε πραγματικές συνθήκες μπορεί να διαφέρει από τη δηλωμένη τιμή(ές) εκπομπής ανάλογα με τους τρόπους χρήσης του εργαλείου, ιδιαίτερα το είδος του τεμαχίου εργασίας που υπόκειται επεξεργασία.**
- **Φροντίστε να λάβετε τα κατάλληλα μέτρα προστασίας του χειριστή βάσει ενός υπολογισμού**

της έκθεσης σε πραγματικές συνθήκες χρήσης (λαμβάνοντας υπόψη όλες τις συνιστώσες του κύκλου λειτουργίας όπως τους χρόνους που το εργαλείο είναι εκτός λειτουργίας και όταν βρίσκεται σε αδρανή λειτουργία πέραν του χρόνου ενεργοποίησης).

ΕΚ Δήλωση συμμόρφωσης

Για Ευρωπαϊκές χώρες μόνο

Η δήλωση συμμόρφωσης EK περιλαμβάνεται ως παράρτημα Α σε αυτό το χειρίδιο οδηγιών.

TÜRKÇE (Orijinal talimatlar)

Genel görünüm

1. Kırmızı gösterge
2. Düşme
3. Akü
4. Yıldız işareti
5. Gösterge lambaları
6. Kontrol düğmesi
7. Açma/kapama düğmesi A
8. Açma/kapama düğmesi B
9. Kilitleme düğmesi
10. Gösterge lambası
11. Kesim yüksekliği
12. 10 cm
13. Budama yönü
14. Budanacak çit yüzeyi
15. Bıçakların eğim açısı
16. İp
17. Bastırın
18. Atık toplayıcı
19. Somun
20. Budama bıçağı
21. Kancalar
22. Kancaları yuvaya oturtun
23. Yuvalar
24. Tırnakları her iki tarafından bastırın
25. Kancaları serbest bırakın
26. Vidalar
27. Alt kapak
28. Sünger
29. Pul
30. Dişli
31. Halkalar
32. Yuva
33. Bıçak kapağı
34. Gres
35. Bıçak

TEKNİK ÖZELLİKLER

Model	DUH483	DUH523
Bıçak uzunluğu	480 mm	520 mm
Vuruş / dakika (dak ⁻¹)	1.350	
Anma gerilimi	D.C.18 V	
Toplam uzunluk (Aküye bağlıdır)	873 - 888 mm	923 - 938 mm
Net ağırlık	3,0 - 3,3 kg	3,0 - 3,4 kg

- Sürekli yapılan araştırma ve geliştirmelerden dolayı, burada belirtilen özellikler önceden bildirilmeksizin değiştirilebilir.
- Özellikler ülkeden ülkeye farklılıklar gösterebilir.
- Ağırlık, akü de dahil aksesuar(lar)a bağlı olarak değişebilir. EPTA Prosedürü 01/2014'e göre en düşük ve en yüksek ağırlıklı kombinasyonlar tabloda gösterilmiştir.

İlgili akü ve şarj cihazı

Akü	BL1815N/BL1820B/BL1830B/BL1840B/BL1850B/BL1860B
Şarj cihazı	DC18RC/DC18RD/DC18RE/DC18SD/DC18SE/DC18SF/DC18SH

- Listelenen akülerden ve şarj cihazlarından bazıları yaşadığınız bölgede bulunmayabilir.

⚠ UYARI:

- **Sadece yukarıda listelenen aküleri ve şarj cihazlarını kullanın.** Başka akülerin ve şarj cihazlarının kullanılması yaralanmalara ve/veya yangına yol açabilir.


Önerilen batarya adaptörü


Batarya adaptörü	PDC01
------------------	-------

- Yukarıda listelenen batarya adaptör(ler)ü yaşadığınız bölgeye bağlı olarak mevcut olmayabilir.
- Batarya adaptörünü kullanmadan önce, batarya adaptörü üzerindeki uyarı işaretlerini ve talimatı okuyun.


Simgeler

Makine için kullanılan simgeler aşağıda gösterilmiştir. Makineyi kullanmaya başlamadan önce bu simgelerin ne anlama geldiğini öğrenin.

 Kullanım kılavuzunu okuyun.

 Neme maruz bırakmayın.

 Koruyucu gözlük takın.

 TEHLİKE - Elleri bıçaktan uzak tutun.



..... Sadece AB ülkeleri için

Elektrik cihazları ve pilleri ev çöplüyle birlikte atmayın!
Elektrikli ve Elektronik Cihaz Atıkları, Piller ve Aküler ve Pil ve Akü Atıkları Hakkındaki Avrupa Yönergeleri ve bunların ulusal kanunlara göre uygulanışı uyarınca kullanım ömrünü tamamlayan elektrikli cihazlar ve piller mutlaka ayrı olarak toplanmalı ve çevre şartlarına uygun bir geri dönüşüm tesisine gönderilmelidir.

Genel elektrikli alet güvenliği uyarıları

GEA010-2

⚠ UYARI: Bu elektrikli aletle birlikte sunulan tüm güvenlik uyarılarını, talimatları, çizimleri ve teknik özellikleri okuyun. Aşağıda verilen talimatlara uyulmaması elektrik şoku, yangın ve/veya ciddi yaralanmalar ile sonuçlanabilir.

Tüm uyarıları ve talimatları ileride başvurmak için saklayın.

Uyarılardaki "elektrikli alet" terimi ile ya prizden çalışan (kordonlu) elektrikli aletinizi ya da kendi aküsü ile çalışan (kordonsuz) elektrikli aletinizi kastedilmektedir.

Akülü Çit Budama Güvenlik Uyarıları

GEB215-2

- Vücudunuzun tüm kısımlarını bıçaktan uzak tutun. Bıçaklar hareket halindeyken kesilen malzemeyi çıkarmaya ve kesilecek malzemeyi tutmaya çalışmayın.** Anahtar kapatıldıktan sonra bıçaklar hareket etmeye devam eder. Çit budamayı kullanırken bir anlık dikkatsizlik ciddi bir yaralanmaya sonuçlanabilir.
- Çit budamayı, bıçak durmuş halde ve hiçbir güç anahtarını kullanmamaya dikkat ederek koldan tutarak taşıyın.** Çit budamanın doğru bir şekilde taşınması, istemsiz başlatma ve bunun sonucunda bıçaklardan kaynaklanan yaralanma riskini azaltır.
- Çit budamayı naklemeden veya saklarken bıçak kılıfını daima takın.** Çit budamanın doğru bir şekilde kullanılması, bıçaklardan kaynaklanan yaralanma riskini azaltır.
- Sıkışan maddeleri çıkarırken veya üniteye bakım yaparken tüm güç anahtarlarının kapalı ve batarya takımının çıkarılmış veya ayrılmış olduğundan emin olun.** Sıkışan maddeleri çıkarırken veya üniteye bakım yaparken çit budamanın beklenmedik şekilde çalışmaya başlaması ciddi yaralanmalara neden olabilir.
- Bıçak gizli kablolarla temas edebileceği için, çit budamayı sadece yalıtımlı kavrama yüzeylerinden tutun.** Bıçakların "akımlı" bir telle temas etmesi çit budamanın yalıtımsız metal kısımlarını "akımlı" hale getirebilir ve kullanıcıyı elektrik şokuna maruz bırakabilir.
- Tüm elektrik kablolarını kesim alanından uzak tutun.** Elektrik kabloları çitlere veya çallara saklanabilir ve bıçak tarafından yanlışlıkla kesilebilir.
- Özellikle yıldırım düşmesi riski olan kötü hava koşullarında çit budamayı kullanmayın.** Bu şekilde yıldırım çarpma riskini azaltabilirsiniz.

İlave Güvenlik Talimatları

Hazırlık

- Aleti çalıştırmadan önce çitleri ve çalılıkları, tel örgü veya gizli kablo gibi yabancı maddelere karşı kontrol edin.**
- Alet, çocuklar ve 18 yaşın altındaki gençler tarafından kullanılmamalıdır.** 16 yaşın üzerindeki gençler, bir uzmanın gözetiminde eğitim alıyorsa bu kısıtlamadan muaf tutulabilirler.
- Aleti ilk kez kullanacak olanlar, nasıl kullanabileceklerini gösteren deneyimli bir kullanıcıdan yardım almalıdır.**
- Aleti sadece fiziksel durumunuz uygunsa kullanın.** Yorgunsanız dikkatiniz azalır. Özellikle çalışma gününün son saatlerinde dikkatli olun. Tüm işlerinizi sakın ve dikkatli bir şekilde yürütün. Üçüncü taraflar üzerinde meydana gelebilecek tüm zararlardan kullanıcı sorumludur.
- Aleti alkol, uyuşturucu ya da ilaçların etkisi altındayken asla kullanmayın.**
- Dayanıklı deriden yapılmış iş eldivenleri aletin temel ekipmanının parçasıdır ve aletle çalışırken daima giyilmelidir. Daima kaymaz tabanlı sağlam ayakkabılar giyin.**
- İşe başlamadan önce, aletin iyi ve güvenli bir şekilde çalışır durumda olduğundan emin olun. Siperlerin yerine düzgün bir şekilde takıldığından emin olun. Alet, tam olarak monte edilmediği durumlarda kullanılmamalıdır.**

Çalıştırma

- Aleti kullanırken her iki elinizle sıkıca tutun.**
- Alet, operatör tarafından zemin seviyesinde kullanılacak şekilde tasarlanmıştır. Aleti merdiven veya başka her türlü dengesiz destek üzerinde kullanmayın.**
- TEHLİKE - Ellerinizi bıçaktan uzak tutun.** Bıçağa temas edilmesi ciddi yaralanmaya neden olur.
- Aleti yağmurda veya ıslak ya da çok nemli koşullarda kullanmayın.** Elektrikli motor su geçirmez değildir.
- Çalışmaya başlamadan önce, yere sağlam bastığınızdan emin olun.**
- Aleti gereksiz yere yüksüz çalıştırmayın.**
- Keski bıçakları, tel örgüye ya da sert bir nesneye temas ederse aleti hemen kapatın ve batarya kartuşunu çıkarın. Bıçaklara zarar gelip gelmediğini kontrol edin ve zarar gelmişse bıçakları hemen değiştirin.**
- Keski bıçaklarını kontrol etmeden, arızalarla ilgilenmeden ya da keski bıçaklarına takılan maddeyi çıkarmadan önce daima aleti kapatın ve batarya kartuşunu çıkarın.**
- Keski bıçaklarının asla kendinize veya başkalarına doğrultmayın.**
- Çalışma sırasında bıçakların arasına yabancı maddelerin sıkışmasından dolayı bıçaklar hareket etmeye keserse aleti kapatın ve batarya kartuşunu çıkarın, ardından yabancı maddeleri pense, vb. kullanarak çıkarın. Yabancı maddelerin elle çıkarılması, yabancı maddeleri çıkarmaya tepki olarak bıçaklar hareket edebileceğinden dolayı yaralanmaya neden olabilir.**

11. Tehlikeli ortamlardan kaçının. Aleti nemli ya da ıslak yerlerde kullanmayın ve yağmura maruz bırakmayın. Makinenin içine su girmesi elektrik çarpması riskini arttıracaktır.

Bakım ve saklama

1. Herhangi bir bakım işlemi yapmadan önce aleti kapatın ve batarya kartuşunu çıkarın.
2. Aleti başka bir konuma taşımadan önce ve çalışma sırasında, daima batarya kartuşunu çıkarın ve keski bıçaklarına bıçak kılıfı takın. Bıçaklar çalışırken aleti kesinlikle taşımayın ya da nakletmeyin. Bıçakları asla elinizle kavramayın.
3. Kullanımın ardından ve aleti uzun bir süre boyunca saklayacağınız zaman, aleti ve özellikle keski bıçaklarını temizleyin. Bıçakları hafifçe yağlayın ve bıçak kılıfını takın.
4. Aleti bıçak kılıfı takılı olarak, kuru bir odada saklayın. Çocukların ulaşamayacağı yerlerde saklayın. Aleti asla dışarıda saklamayın.
5. Bataryayı/bataryaları ateşe atmayın. Batarya hücresi patlayabilir. Bertaraf etmeye ilişkin olası özel talimatlar için yerel yönetmelikleri kontrol edin.
6. Batarya/bataryaları açmayın ya da batarya(lar) üzerinde değişiklik yapmayın. Ortaya çıkan elektrolit aşındırıcıdır ve gözlere ya da cilde zarar verebilir. Yutulduğu takdirde zehirli olabilir.
7. Bataryayı yağmura veya ıslak yerlerde sarj etmeyin.

BU TALİMATLARI SAKLAYIN.

⚠ UYARI

Ürünü kullanırken (defalarca kullanınca kazanılan) rahatlık ve tanıdıklık duygusunun ilgili ürünün güvenlik kurallarına sıkı sıkıya bağlı kalmanın yerine geçmesine İZİN VERMEYİN. YANLIŞ KULLANIM veya bu kullanma kılavuzunda belirtilen emniyet kurallarına uymama ciddi yaralanmaya neden olabilir.

Batarya kartuşu hakkında önemli güvenlik talimatları

ENC007-16

1. Batarya kartuşunu kullanmadan önce, tüm talimatları ve (1) batarya kartuşu, (2) batarya ve (3) ürün üzerindeki tüm uyarı işaretlerini okuyun.
2. Batarya kartuşunu parçalarını ayırmayın veya kurcalamayın. Yangın, aşırı ısı veya patlamaya neden olabilir.
3. Çalışma süresi aşırı derecede kısalmışsa kullanmayı derhal bırakın. Aşırı ısınma, yanma riski hatta patlamaya neden olabilir.
4. Gözünüze elektrolit kaçarsa, gözlerinizi temiz suyla durulayın ve hemen tıbbi yardım alın. Görme kaybına yol açabilir.
5. Batarya kartuşuna kısa devre yaptırmayın:
 - (1) Terminallere herhangi bir iletken madde deşirdirmeyin.
 - (2) Batarya kartuşunu çiviler, madeni paralar, vb. gibi başka metal nesnelere aynı kaba koymaktan kaçının.
 - (3) Batarya kartuşunu yağmura ya da suya maruz bırakmayın.

Kısa devre, büyük bir akım akışına, aşırı ısınmaya, olası yanıklara hatta bataryanın bozulmasına yol açabilir.

6. Aleti ve batarya kartuşunu sıcaklığın 50°C ya da daha yüksek olduğu yerlerde saklamayın ve kullanmayın.
7. Aşırı derecede hasar görmüş ya da tamamen kullanılamaz durumda olsa bile batarya kartuşunu yakmayın. Batarya kartuşu ateşe atılırsa patlayabilir.
8. Batarya kartuşunu çivilemeyin, kesmeyin, ezmeyin, fırlatmayın, düşürmeyin ya da batarya kartuşuna sert bir nesne ile vurmayın. Bu eylemler yangın, aşırı ısı veya patlamaya neden olabilir.
9. Hasarlı bataryayı kullanmayın.
10. Aletin içerdiği lityum-iyon bataryalar Tehlikeli Eşyalar Yönetmeliğinin gereksinimlerine tabidir. Ticari nakliye işlemleri için, örneğin üçüncü taraflar, nakliye acenteleri tarafından yapılan nakliyelerde, paketleme ve etiketleme gereksinimlerine uyulmalıdır. Nakliyesi yapılacak ürünün hazırlanması için, tehlikeli maddeler konusunda uzman bir kişiye danışın. Lütfen muhtemelen daha ayrıntılı olan ulusal yönetmeliklere de uyun. Açık kontakları bantlayın ya da maskeleyin ve bataryayı paketin içinde hareket etmeyecek şekilde paketleyin.
11. Batarya kartuşunu bertaraf ederken aletten çıkarmın ve güvenli bir yerde bertaraf edin. Bataryanın bertaraf edilmesi ile ilgili yerel düzenlemelere uyunuz.
12. Bataryaları sadece Makita tarafından belirtilen ürünlerle kullanın. Bataryaların uyumsuz ürünlere takılması; yangın, aşırı ısınma, patlama ya da elektrolit sızıntısına neden olabilir.
13. Alet uzun süre kullanılmayacaksa batarya aletten çıkarılmalıdır.
14. Kullanma sırasında ve sonrasında batarya kartuşu ısınarak yanıklara veya düşük sıcaklık yanıklarına yol açabilir. Sıcak batarya kartuşları ile işlem yaparken dikkat edin.
15. Yanıklara neden olabilecek kadar sıcak olabileceğinden kullandıktan hemen sonra aletin terminaline dokunmayın.
16. Batarya kartuşunun terminallerine, deliklerine ve kanallarına mıcır, toz veya toprak girmesine izin vermeyin. Aletin veya batarya kartuşunun zayıf performans göstermesine veya bozulmasına neden olabilir.
17. Alet yüksek gerilim elektrik güç hatları yakınında kullanılmı desteklemediği sürece batarya kartuşunu yüksek gerilim elektrik güç hatlarının yakınında kullanmayın. Aletin veya batarya kartuşunun arızalanmasına veya bozulmasına neden olabilir.
18. Bataryayı çocuklardan uzak tutun.

BU TALİMATLARI MUHAFAZA EDİNİZ.

⚠ DİKKAT: Sadece orijinal Makita bataryalarını kullanın. Orijinal olmayan Makita bataryaları ya da üzerine değişiklik yapılmış bataryaların kullanımı bataryanın patlamasına ve sonuç olarak yangın, kişisel

yaralanma ve hasara neden olabilir. Ayrıca Makita aleti ve şarj aletinin Makita tarafından sunulan garantisini de geçersiz olur.

Maksimum batarya ömrü için ipuçları

1. **Batarya kartuşunu tamamen boşalmadan önce şarj edin. Aletin gücünün zayıflamaya başladığını fark ettiğinizde aleti durdurun ve batarya kartuşunu şarj edin.**
2. **Tam dolu bir batarya kartuşunu asla yeniden şarj etmeyin. Aşırı şarj etme bataryanın hizmet ömrünü kısaltır.**
3. **Batarya kartuşunu 10°C - 40°C oda sıcaklığında şarj edin. Sıcak bir batarya kartuşunu şarj etmeden önce soğumasını bekleyin.**
4. **Batarya kartuşunu kullanılmıyorken aletten veya şarj aletinden çıkarın.**
5. **Uzun bir süre (altı aydan daha fazla) kullanmadığınız durumlarda batarya kartuşunu şarj edin.**

KULLANIMA İLİŞKİN TANIMLAR

⚠ DİKKAT:

- Makine üzerinde ayar veya başka bir kontrol işlemi yapmadan önce makinenin kapalı ve aküsünün çıkartılmış olduğundan emin olun.

Akünün takılması ve çıkartılması (Şekil 1)

⚠ DİKKAT:

- Aküyü takmadan ve çıkarmadan önce mutlaka makineyi kapalı konuma getirin.
- **Aküyü takarken ve çıkartırken makineyi ve aküyü sıkıca tutun.** Aksi takdirde, makine ve akü elinizden kayarak düşebilir ve neticesinde makine ve akü hasarları ve yaralanmalar meydana gelebilir.

Aküyü çıkarmak için akünün ön tarafında bulunan düğmeye bastırın ve aküyü çekerek makineden çıkartın. Aküyü takmak için aküdeki dili makine gövdesindeki girintiyle aynı hizaya getirin ve aküyü iterek yerine oturmasını sağlayın. Akünün tam yerine oturduğunu klik sesinden anlayabilirsiniz. Düğmenin üst tarafında bulunan kırmızı göstereyi görüyorsanız, akü tam olarak kilitlememiştir.

⚠ DİKKAT:

- Kırmızı gösterge tamamen kayboluncaya kadar aküyü itin. Aksi takdirde, akü makineden kayıp düşebilir ve operatörün veya çevredeki kişilerin yaralanmasına neden olabilir.
- Aküyü zorlayarak takmaya çalışmayın. Akünün makineye rahatça takılmaması, yanlış takıldığını gösterir.

Akü koruma sistemi (Yıldız işaretli lityum akülerde) (Şekil 2)

Yıldız işaretli lityum akülerde koruma sistemi mevcuttur. Bu sistem, akü ömrünü uzatmak için makineye beslenen gücü otomatik olarak keser.

Makine ve/veya akü için aşağıda sıralanan durumlardan birinin geçerli olması halinde, çalışmayı otomatik olarak durdurur:

- Aşırı yüklenme:
Makine anormal yüksek akım çekecek şekilde çalışır. Böyle bir durumda, makine üzerindeki açma/kapama

düğmesinden elinizi çekin ve makinenin aşırı yüklenmesine neden olan uygulamayı durdurun. Ardından, yeniden başlatmak için açma/kapama düğmesine tekrar basın.

Makine çalışmıyorsa, akü aşırı ısınmıştır. Böyle bir durumda, açma/kapama düğmesine tekrar basmadan önce akünün soğumasını bekleyin.


















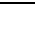


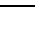
- Düşük akü gerilimi:

Kalan akü kapasitesi çok düşüktür ve makine çalışmıyordur. Böyle bir durumda, aküyü çıkartın ve şarj edin.

Kalan akü kapasitesinin kontrol edilmesi

(Yalnızca model numarasının sonunda "B" harfi içeren akülerde mevcuttur.) (Şekil 3)

Kalan akü kapasitesini görmek için akü üzerindeki kontrol düğmesine basın. Ardından, gösterge lambaları birkaç saniye yanar.

Gösterge lambaları			Kalan kapasite
 Açık	 Kapalı	 Yanıp sönüyor	
			%75 ile %100 arası
			%50 ile %75 arası
			%25 ile %50 arası
			%0 ile %25 arası
			Aküyü şarj edin.
			Akü bozulmuş olabilir.

015658

NOT:

- Gösterilen kapasite seviyesi, kullanım koşullarına ve ortam sıcaklığına bağlı olarak gerçek seviyeden bir miktar farklı olabilir.

Açma/kapama işlemi

⚠ DİKKAT:

- Aküyü makineye takmadan önce, açma/kapama düğmesinin kusursuz çalışıp çalışmadığını ve açma/kapama düğmesi bırakıldığında "KAPALI" konuma dönüp dönmediğini kontrol edin. (Şekil 4)

Güvenliğiniz için makinede bir ikili açma/kapama sistemi bulunmaktadır. Makineyi açık konuma getirmek için, kilitleme düğmesine ve A ve B açma/kapama düğmelerine basın. Kapatmak için ise iki açma/kapama düğmesinden birini serbest bırakın. Makine yalnızca iki düğmesinden birden basılıncaya çalıştığı için basma sırası önemli değildir.

Gösterge lambası (Şekil 5)

Makine çalışırken, gösterge lambası daima akünün kapasite durumunu gösterir.

Makine aşırı yüklenmişse ve çalışma sırasında durursa, lamba kırmızı yanmaya başlar.

Gösterge lambasının durumu ve ilgili durumda alınması gereken önlemler için aşağıdaki tabloya bakın.

Gösterge lambası	Durumu	Alınacak önlem
Lamba kırmızı yanıp sönlüyor	Aküdeki güç azaldığında akünün değiştirilmesi gerektiğini gösterir.	Aküyü mümkün olan en kısa sürede şarj edin.
Lamba kırmızı sabit yanıyor. (Not 1)	Bu işlev, aküdeki güç tükenmek üzereyken devreye girer. Ardından, makine hemen durur.	Aküyü şarj edin.
Lamba kırmızı sabit yanıyor. (Not 1)	Makine, aşırı yüklenme nedeniyle kendiliğinden durmuştur	Makineyi kapalı konuma getirin.

Not 1: Gösterge lambasının yandığı süre, çalışma alanındaki sıcaklığa ve akünün durumuna bağlı olarak değişir.

010970

KULLANIM

⚠ DİKKAT:

- Budama sırasında makinenin, çit demirine veya benzeri sert bir cisme temas etmemesine dikkat edin. Aksi takdirde, bıçak kırılarak ciddi yaralanmalara yol açabilir.
- Özellikle de merdiven üzerindeyken çit budamayla ileri uzanmaya çalışmak çok tehlikelidir. Kesinlikle sallanan veya sabit olmayan platformlar üzerinde çalışmayın.

İKAZ:

Bu makineyle çapı 10 mm'den büyük dal parçalarını kesmeye çalışmayın. Bu makineyi kullanmadan önce kesim yüksekliğinin 10 cm altına kadar olan dalları dal budamayla kesin. (Şekil 6)

⚠ DİKKAT:

- Ölü ağaç parçaları veya benzeri sert cisimleri kesmeye çalışmayın. Aksi takdirde, makine hasar görebilir. (Şekil 7)

Çit budamayı her iki elinizle kavradıktan sonra açma/kapama düğmesi A veya B'ye basın ve makineyi vücudunuzun önünde tutun. (Şekil 8)

Temel bir çalışma ilkesi olarak, bıçakları budama yönüne eğimli tutun ve makineyi, 3 - 4 saniyede bir metre budayacak bir hızda sakın ve yavaşça hareket ettirin. (Şekil 9)

İstene çit yüksekliğine bir ip bağlanması ve budama işleminin bu ip referans alınarak gerçekleştirilmesi çitin üst kısmının eşit uzunlukta kesilmesine yardımcı olur. (Şekil 10)

Çitler düz budanırken makineye bir artık toplayıcının (opsiyonel aksesuar) takılması, kesilen yaprakların etrafa dağılmasını önleyebilir. (Şekil 11)

Çitin yan kısmının eşit uzunlukta kesilmesi için, aşağıdan yukarıya doğru çalışılması yararlı olabilir. (Şekil 12)
Çalı veya orman güllerini alttan yukarı doğru budayarak hoş bir görünüm elde edebilirsiniz.

Atık toplayıcının (opsiyonel aksesuar) takılması ve sökülmesi

⚠ DİKKAT:

- Atık toplayıcıyı takmadan veya sökmeden önce, mutlaka makinenin kapalı ve fişinin çekili olduğundan emin olun.

NOT:

- Atık toplayıcıyı değiştirirken daima eldiven takın, böylece elleriniz ve yüzünüz bıçakla doğrudan temas etmeyecektir. Aksi takdirde, yaralanmalar meydana gelebilir.
- Atık toplayıcıyı takmadan önce, bıçak kapağının çıkarıldığından emin olun.
- Atık toplayıcı, kesilen yaprakları toplar ve böylece yaprakların etrafı saçılmasını azaltır. Kanca makinenin her iki tarafına da takılabilir. (Şekil 13)

Atık toplayıcıyı, boşluk kısımları budama bıçakları üzerindeki somunlara karşılık gelecek şekilde kesici bıçaklara bastırın. (Şekil 14)

Atık toplayıcı, boşluk kısımları budama bıçağı tertibatı üzerindeki yuvalara oturacak şekilde takılmalıdır. (Şekil 15)
Atık toplayıcıyı çıkarmak için, her iki tarafındaki tırnaklara bastırarak kancaların serbest kalmasını sağlayın.

⚠ DİKKAT:

- Bıçak kapağı (standart parça) ile atık toplayıcı aynı anda takılamaz. Makineyi taşımadan veya depoya kaldırmadan önce, atık toplayıcıyı çıkartın ve ardından, bıçağın açıkta kalmaması için bıçak kapağını takın.

NOT:

- Kullanmaya başlamadan önce, atık toplayıcının sağlam şekilde takıldığını kontrol edin.
- Kancaları bıçak tertibatı yuvalarına takılıyken kesinlikle aşırı kuvvet kullanarak atık toplayıcıyı çıkarmaya çalışmayın. Aşırı kuvvet uygulanması, hasar verebilir.

BAKIM

⚠ DİKKAT:

- Makinede herhangi bir kontrol veya bakım işlemine başlamadan önce makinenin kapalı ve aküsünün çıkartılmış olduğundan emin olun.

Makinenin temizlenmesi

Makine üzerindeki tozları kuru veya sabunlu bezle temizleyin.

⚠ DİKKAT:

- Kesinlikle gazolin, benzin, tiner, alkol veya benzeri bir madde kullanmayın. Aksi takdirde renk bozulması, deformasyon veya çatlaklar meydana gelebilir.

Bıçak bakımı

Bıçağı kullanmadan önce ve her saat başı makine yağı veya muadili bir yağla iyice yağlayın.

NOT:

- Bıçağa yağ uygulamadan önce, atık toplayıcıyı çıkartın.

Çalışma sonunda, bıçağın her iki tarafındaki tozları bir tel fırça yardımıyla temizleyin, bıçağı bir bezle silin ve ardından makine yağı vs. veya sprey tipi yağlama yağı gibi düşük viskoziteli bir yağla iyice yağlayın.

⚠ DİKKAT:

- Bıçakları suya yıkamayın. Aksi takdirde, makine paslanabilir veya hasar görebilir.

Budama bıçağının sökülmesi ve takılması

⚠ DİKKAT:

- Budama bıçağını takip çıkarmadan önce mutlaka makinenin kapalı ve aküsünün çıkartılmış olduğundan emin olun.
- Budama bıçağını değiştirirken, bıçak kapağını açmadan önce mutlaka koruyucu eldiven takın, böylece elleriniz ve yüzünüzün doğrudan bıçağa temas etmesini önlemiş olursunuz. Aksi takdirde, yaralanmalar meydana gelebilir.

NOT:

- Dişli ve kranktaki gresi silmeyin. Aksi takdirde, makine hasar görebilir.

Budama bıçaklarının sökülmesi (Şekil 16)

Makineyi ters çevirin, dört adet vidayı gevşetin ve alt kapağı çıkarın.

NOT:

- Budama bıçağı hareket alanına gres uygulandığından, ellerinizin kirlenmemesine dikkat edin. (Şekil 17)

Dört vidayı gevşetin ve bıçakları çıkarın. Budama bıçaklarındaki pulu ve süngeri çıkartın ve bir kenara kaldırın. Daha sonraki montaj işleminde gerekli olacaktır. (Şekil 18)

Halkalar dişli deliklerinde kalmışsa, dişliyi sökün ve halkaları bir tornavida veya benzeri bir alet yardımıyla bastırarak delikten çıkartın.

NOT:

Dişli sökülürken, dişlinin altındaki pul da kazara çıkabilir. Böyle bir durumda, pulu başlangıçtaki konumuna geri takın.

Budama bıçağının takılması (Şekil 19)

Eski budama bıçakları üzerindeki bıçak kapağını çıkartın ve bıçaklara temas edilmesini önlemek için yeni bıçaklara takın. (Şekil 20)

Dişliyi şekilde gösterildiği gibi çevirerek delik konumlarını ayarlayın. (Şekil 21 ve 22)

Yeni budama bıçaklarıyla birlikte verilen gresten şekilde gösterildiği gibi bir miktar uygulayın. (Şekil 23)

Çıkartılan süngeri başlangıçtaki konumuna yerleştirin. Yeni budama bıçaklarıyla birlikte verilen halkaların, bıçak pimlerine takıldığından emin olun. Yeni budama bıçaklarını pimleri dişli deliklerine gelecek şekilde yerleştirin. Pimler üzerindeki halkalar yanlışlıkla çıkarsa, önceden dişli deliklerine yerleştirin. (Şekil 24)

Bıçağı takın, dört adet vidayı sıkın ve çıkartılan pulu eskisiyle aynı konuma yerleştirin. (Şekil 25)
Alt kapağı makineye takın ve dört adet vidayı sağlam şekilde sıkın.

Saklama

Makinenin altındaki kanca deliği makinenin duvardaki bir çiviye veya vidaya asılması için uygundur. (Şekil 26)
Aküyü çıkartın ve bıçakların açıkta kalmaması için budama bıçaklarının kapağını kapatın. Makineyi çocukların ulaşmayacağı bir yere dikkatlice kaldırın. Makineyi suya veya yağmura maruz kalmayacağı bir yerde saklayın.
Ürünün EMNİYETLİ ve GÜVENLİR durumda kalmasını sağlamak için tüm onarımlar, bakım ve ayarlar Makita yetkili servisleri veya fabrika servis merkezleri tarafından Makita yedek parçaları kullanılarak yapılmalıdır.

OPSİYONEL AKSESUARLAR

⚠ DİKKAT:

- Bu kullanım kılavuzunda tanıtılan Makita marka makineyle aşağıdaki aksesuarların ve parçaların kullanılması önerilir. Bunların dışında başka aksesuarların veya parçaların kullanılması yaralanmalara yol açabilir. Aksesuarlar ve parçalar doğru şekilde ve öngörüldükleri işlevler için kullanılmalıdır.

Aksesuarlara ilişkin daha ayrıntılı bilgi almak için size en yakın yetkili Makita servisine başvurabilirsiniz.

- Bıçak kapağı
- Budama bıçağı tertibatı
- Orijinal Makita akü ve şarj cihazı
- Atık toplayıcı

NOT:

- Listedeki bazı parçalar makineyle birlikte standart aksesuar olarak verilebilir. Ürünle verilen aksesuarlar ülkeden ülkeye farklılıklar gösterebilir.

Gürültü

ENG905-1

EN62841-4-2 uyarınca belirlenen tipik A ağırlıklı gürültü seviyesi:

DUH483 Modeli

Ses basıncı seviyesi (L_{pA}): 73 dB (A)
Belirsizlik (K): 3,9 dB (A)

Çalışma sırasında gürültü seviyesi 80 dB (A)'yı aşabilir.

DUH523 Modeli

Ses basıncı seviyesi (L_{pA}): 73 dB (A)
Belirsizlik (K): 4,3 dB (A)

Çalışma sırasında gürültü seviyesi 80 dB (A)'yı aşabilir.

ENG907-1

- Beyan edilen gürültü emisyonu değer(ler)i bir standart test yöntemine uygun şekilde ölçülmüştür ve bir aleti bir başkasıyla karşılaştırmak için kullanılabilir.
- Beyan edilen gürültü emisyonu değer(ler)i bir ön maruz kalma değerlendirilmesi olarak da kullanılabilir.

⚠ UYARI:

- Kulak koruyucuları takın.
- Elektrikli aletin gerçek kullanım sırasındaki gürültü emisyonu, aletin kullanım biçimlerine, özellikle işlenen iş parçasının türüne bağlı olarak beyan edilen değer(ler)den farklı olabilir.

- Gerçek kullanım koşullarındaki tahmini maruziyeti baz alan, operatörü koruyacak güvenlik önlemlerini mutlaka belirleyin (çalışma döngüsü içerisinde aletin kapalı olduğu ve aktif durumda olmasının yanı sıra boşta çalıştığı zamanlar gibi, bütün zaman dilimleri göz önünde bulundurarak).

Titreşim

ENG900-1

EN62841-4-2'e göre belirlenen toplam titreşim değeri (üç eksenli vektörel toplam):

Titreşim emisyonu (a_{sa}): 2,5 m/s² veya daha düşük
Belirsizlik (K): 1,5 m/s²

ENG901-2

- Beyan edilen titreşim toplam değeri bir standart test yöntemine uygun şekilde ölçülmüştür ve bir aleti bir başkasıyla karşılaştırmak için kullanılabilir.
- Beyan edilen titreşim toplam değeri bir ön maruz kalma değerlendirmesi olarak da kullanılabilir.

UYARI:

- Elektrikli aletin gerçek kullanımı sırasındaki titreşim emisyonu, aletin kullanım biçimlerine, özellikle işlenen iş parçasının türüne bağlı olarak beyan edilen değer(ler)den farklı olabilir.
- Gerçek kullanım koşullarındaki tahmini maruziyeti baz alan, operatörü koruyacak güvenlik önlemlerini mutlaka belirleyin (çalışma döngüsü içerisinde aletin kapalı olduğu ve aktif durumda olmasının yanı sıra boşta çalıştığı zamanlar gibi, bütün zaman dilimleri göz önünde bulundurarak).

AT Uygunluk Beyanı

Sadece Avrupa ülkeleri için

AT uygunluk beyanı bu kullanım kılavuzunun Ek A'sında verilmiştir.

Makita Europe N.V.

Jan-Baptist Vinkstraat 2,
3070 Kortenberg, Belgium

Makita Corporation

3-11-8, Sumiyoshi-cho,
Anjo, Aichi 446-8502 Japan