

**Carrera**<sup>®</sup>

# EVOLUTION

## 25206 POWER BOOST

- D** Montage- und Betriebsanleitung
- GB** **USA** Assembly and operating instructions
- F** Instructions de montage et d'utilisation
- E** Instrucciones de uso y montaje
- P** Instruções de montagem e modo de utilização
- I** Istruzioni per il montaggio e l'uso
- NL** Montage- en gebruiksaanwijzing
- S** Monterings- och bruksanvisning
- FIN** Asennus- ja käyttöohjeet
- N** Montajse- og bruksanvisning
- H** Ósszeszerelési és használati útmutató
- PL** Instrukcja obsługi i montażu
- SK** Návod na montáž a pre prevádzku
- CZ** Návod na montáž a pro provoz
- BG** Ръководство за монтаж и експлоатация
- GR** Οδηγίες συναρμολόγησης και λειτουργίας
- RO** Instrucțiuni de montaj și de utilizare
- DK** Monterings- og driftsvejledning
- RC** 安装和使用说明
- J** 取扱説明書
- ROK** 조립과 작동 방법
- Arabic** إرشادات التركيب و الاستخدام
- TR** Montaj ve işletme kılavuzu
- RUS** Инструкция по монтажу и эксплуатации

Verpackungsinhalt · Contents of package · Contenu du carton · Contenido de la caja · Conteúdo da embalagem · Contenuto della confezione · Verpakkinginhoud · Innehållet i förpackningen · Pakkauksen sisältö · Innholdet i pakningen · A csomag tartalma · Zawartość opakowania · Obsah balenia · Obsah balení · Съдържание на опаковката · Περιεχόμενα συσκευασίας · Conținutul ambalajului · Emballageinhold · 包装内容 · 梱包内容 · 포장내용물 · محتويات الغلاف · Ambalaj içeriği · Содержимое картона

**25206 POWER BOOST**

**Ferrari**  
OFFICIAL LICENSED PRODUCT

Produced under license of Ferrari Brand S.p.A. The name FERRARI, the PRANCING HORSE device, all associated logos and distinctive designs are property of Ferrari S.p.A. The body designs of the Ferrari cars are protected as Ferrari S.p.A. property under design, trademark and trade dress regulations.

Hergestellt mit der Zustimmung der Dr. Ing. h.c.F. Porsche AG.

Ausbauvorschläge · Proposals for extension · Suggestions d'extension · Propuestas de ampliación · Propostas de expansão · Proposte di ampliamento · Uitbreidingsvoorstellen · Monteringsförslag · Rakennelmaehdotuksia · Strekningsforslag · Kiepitési javaslatok · Propozycje rozbudowy · Návrhy výstavby · Návrhy výstavby · Предложения за демонтаж · Протάσεις επέκτασης · Propuneri de asamblare · Udvidelsesforslag · 多项扩充建议 · 拡張提案 · 기타 조립 예 · اقتراحات للتوسيع · Genişletme önerileri · Предложения по расширению

**25206 + 26953**

**25206 + 26953 + 20509**

## Welcome

Welcome to the Team Carrera!

These operating instructions contain important information regarding the assembly and operation of your Evolution racetrack. Please read them carefully and keep them in a safe place afterwards.

If you have any queries, please do not hesitate to contact our distributor or visit our websites:

[carrera-toys.com](http://carrera-toys.com)

Please check the contents for completeness and possible transport damage. The packaging contains important information and should also be retained.

We hope you will derive a lot of pleasure from your new Carrera Evolution track.

## Safety instructions

• **WARNING!** Not for children under 36 months. Danger of suffocation due to small parts which can be swallowed by children. Warning: Functional clamping danger.

• **WARNING!**

This toy contains magnets or magnetic components. Magnets sticking together or becoming attached to a metallic object inside the human body can cause serious or fatal injury. Seek immediate medical help if magnets are swallowed or inhaled.

• The transformer is not a toy! Do not short-circuit the transformer's connections! Note to parents: Regularly inspect the transformer for damage to the cable, plug or housing! Only operate the toy with recommended transformers! The transformer may no longer be used if it is damaged! Only operate the racetrack with a transformer! If play is interrupted for longer periods, it is recommended to separate the transformer from the power supply. Do not open transformer or speed controller housings!

**Important note to parents:**

Transformers and power supply units are not suitable to be used as toys. The use of such products needs to be constantly supervised by the parents.

• Regularly check the track and cars for damage to cables, plugs and housings! Replace defective parts.

• The car racetrack is not suitable for outdoor operation or operation in wet locations! Keep away from liquids.

• Do not place any metal parts onto the track to avoid short-circuits. Do not place the track in the immediate vicinity of delicate objects, as these could be damaged by cars hurled from the track.

• Pull the plug before cleaning the racetrack! Only use a damp cloth for cleaning, no solvents or chemicals. When it is not in use, store the track in a dry and dust-protected location, preferably in the original cardboard box.

• Do not operate race track at face- or eye-level – risk of injury due to cars being catapulted off the track.

• Misuse of transformer can cause electrical shock.

• The toy must only be used with a transformer for toys.

**Note:**

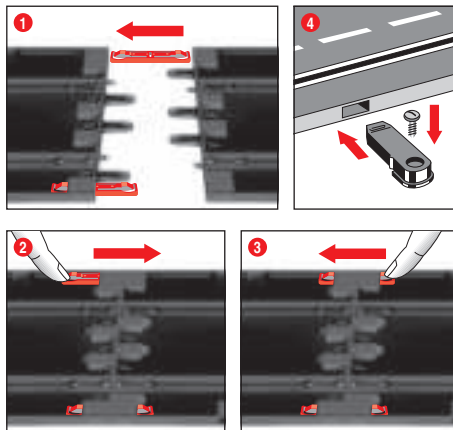
The vehicle may only be operated again in a completely assembled condition. Assembly may only be carried out by an adult.

## Contents of package

- 1 LaFerrari
- 1 Porsche 918 Spyder "No. 25"
- 7 Standard straights
- 1 Connecting section
- 8 Curves 1/60°
- 2 Mech. speed controllers
- 1 Transformer
- Guardrails
- Replacement contacts
- Accessories
- Instructions

Dimensions when assembled:  
217 x 139 cm/7.12 x 4.56 ft.  
Track length: 5,3 m/17.38 ft.

## Assembly instructions



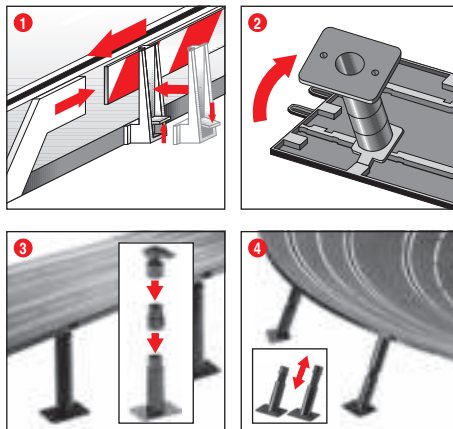
**1 + 2 + 3** Before assembling please insert the connecting clips in the track as shown in figure 1. Stick tracks together on a flat base. Move the connecting clips according to figure 2 in direction of the arrow until they audibly snap in. The connecting clip may also be inserted later. The connecting clips can be removed into both directions by simply pressing down the clamped nose (see fig. 3).

**4 Fastening:** To fasten the track sections on a board, it is necessary to use the track section fasteners (Item no. 85209, not contained in the package).

**Note:**

Carpeting is not a suitable foundation on which to build the track because of static charging, formation of fluff and ready inflammability.

## Guard Rails and Supports



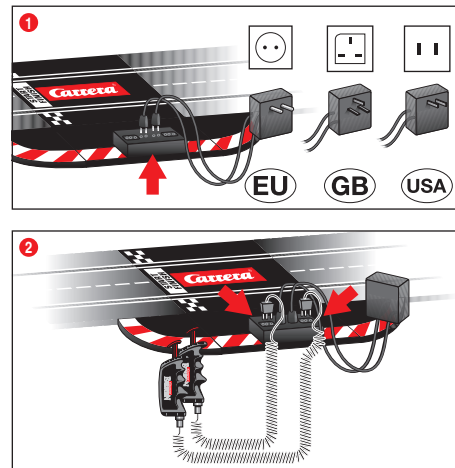
**1 Guard rails:** Guard rail mounts are fitted by tilting them upwards onto the verge of the track.

**2 + 3 Supporting raised sections:** The shank of the ball pivot is to be inserted into the square slots provided on the underside of the track. The supports can be made higher by using the extensions. The pedestal of the supports can be screwed to a base if required (screws not included).

**4 Supporting steep curves:**

Slanting supports of the right height are provided to support steep curves. Fix the nonadjustable supports at the beginning and end of the curves. Insert the heads of the supports in the round slots of the underside of the track.

## Electrical connection



The connecting rail is the straight track with sockets for the transformer and hand-held control unit.

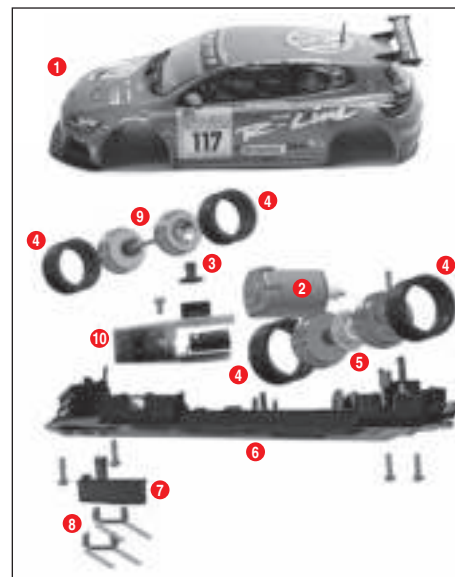
**1** The transformer's plugs are plugged into the central socket.

**2** The hand-held control unit's plugs are plugged into the external sockets.

Care should be taken that the + and – symbols on the plugs agree with those on the connecting rail.

**Advice:** The toy must not be connected to extraneous electrical equipment, plugs, cables or other objects: short-circuits and power surges can thus be avoided. The Carrera Evolution racing track only functions faultlessly with the original Carrera Evolution transformer.

## Car components

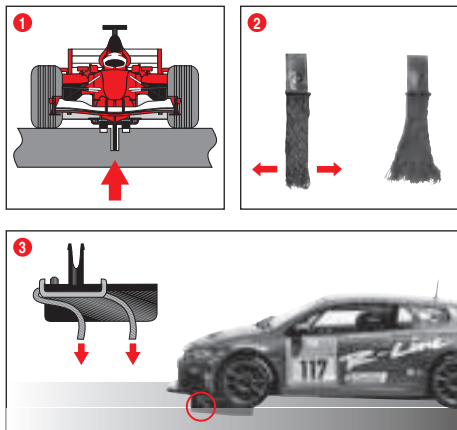


- 1 Body, spoiler
- 2 Engine
- 3 LED cover
- 4 Tyres
- 5 Rear axle
- 6 Chassis
- 7 Guide keel
- 8 Double sliding contact
- 9 Front axle
- 10 Car board with reversing switch

Vehicle construction depends on the model.

The designation of the individual parts may not be used as order numbers.

## Preparation of start



This Carrera Evolution vehicle ideally matches the Carrera track system scale 1:24.

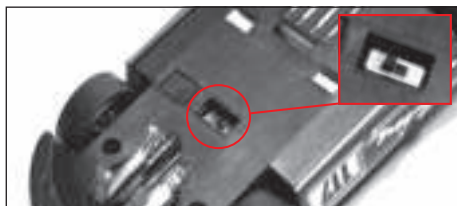
**1** Make sure that the car's guide keel is located inside the track slot and that the double sliding contact is in contact with the current carrying track. Place the cars onto the connecting track.

### 2 + 3 Optimally setting up the grinders:

To ensure proper and continuous driving, slightly fan out the ends of the contact brushes **2** and bend them towards the track as per fig. **3**. Only the end of the contact brush should have contact to the track and may be cut off slightly in case of wear. Dust and abrasion should be removed from track material and sliding contacts from time to time.

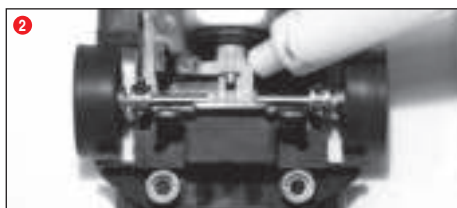
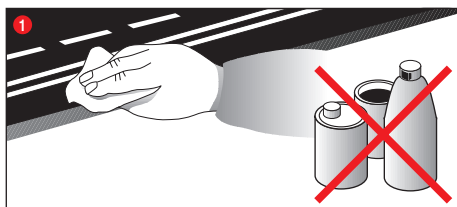
During operation small car parts as spoilers or mirrors may get off or brake due to being original detailed parts of the car model. To avoid this it is possible to remove them before operation.

## Change of running direction



This is necessary and/or possible in case the running direction shall be changed. Therefore the reversing switch at the car's bottom side has to be positioned accordingly.

## Maintenance and care

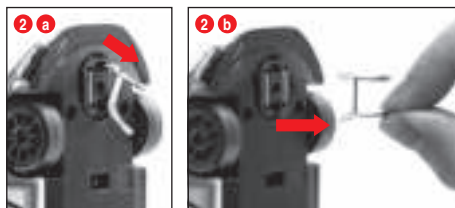
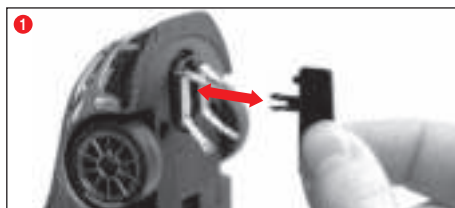


To ensure a proper operation of the motor-racing circuit, all race-track components should be regularly cleaned. Pull the plug prior to cleaning.

**1 Racetrack:** Keep the track surface and track slots clean with a dry cloth. Do not use any solvents or chemicals for cleaning. When it is not in use, store the racetrack in a clean and dust-protected location, preferably in the original cardboard box.

**2 Car check:** Clean axle and wheel bearings, pinion gears, gear-wheels and bearings and lubricate using a resin- and acid-free grease. You can use a toothpick or similar as aid. Regularly check the condition of sliding contacts and tyres.

## Replacement of double sliding contact and guide keel

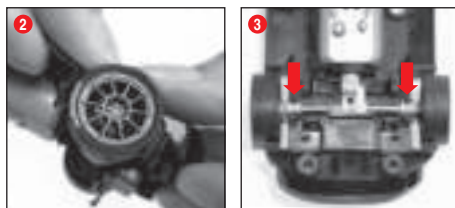


### Advice:

- It is recommended to always take out and change only one grinder.
- Never pull the vehicle backwards, because the grinders could be damaged otherwise.
- 1** Please carefully pull out the guide keel according to fig. **1**.

**2** When changing the double contact brushes please take care that in stage one the upper contact brush **2 a** is only pulled out partly and that in stage two the double contact brush can be pulled out completely with the contact brush **2 b**. For inserting please proceed the same way.

## Changing the rear axle



Take off the vehicle's upper part from the chassis as per fig. **1**. Remove the axles from the bearings positions with pressure **2**. Insert new axle. Pay attention to the correct position of the axle bearings **3**.

## Troubleshooting Driving tips

### Troubleshooting:

In case of any malfunctions, please check the following:

- Has the connection to the power supply been established correctly?
- Have transformer and speed controllers been connected correctly?
- Are the track connections faultless?
- Are the racetrack and track slots clean and free of any foreign objects?
- Are the sliding contacts in order and do they make contact with the track slot?

### Driving technique:

- You can drive fast along the straight track but you should brake before the curve and then accelerate again when coming out of the curve.
- Do not fasten or block the vehicles when the motor is running: overheating or damage to the motor could result otherwise.

**Note:** When using track systems which are not manufactured by Carrera the existing guide keel has to be replaced by the special guide keel (#85309). While using the Carrera crossing (#20587) or high banked curve 1/30° (#20574) slight driving noise might occur which is due to the full-scale genuineness and does not affect flawless operation.

All Carrera spare parts are available in the webshop:

[carrera-toys.com](http://carrera-toys.com)

Delivery exclusively to Germany, Austria, Netherlands, Belgium and Luxembourg.

## Technical specifications



Output voltage: Toy transformer



14,8 V === 2 x 14,8 VA

### Electricity modes

- 1.) Operating mode = cars are operated via speed controllers
- 2.) Idle mode / Stand-by mode = speed controllers are not activated, no game  
**CURRENT CONSUMPTION < 0,5 watt / 0,5w**
- 3.) Off-state = power supply unit disconnected from mains supply



This device is marked by "selective sort through" symbol related to sort through domestic, electric and electronic, waste.

This means the product must be treated by a specialized "sorting/collecting" system in accordance with European directive 2002/96/CE, to reduce the impact upon environment.

For more precise information, please contact your local administration.

Electronical product which are not going through special collecting, are potentially dangerous for environment and human health, because of dangerous substance.



Output voltage: Toy transformer



14,8 V === 2 x 14,8 VA

### Electricity modes

- 1.) Operating mode = cars are operated via speed controllers
- 2.) Idle mode / Stand-by mode = speed controllers are not activated, no game  
**CURRENT CONSUMPTION < 0,5 watt / 0,5w**
- 3.) Off-state = power supply unit disconnected from mains supply



Conforms to the safety requirements of ASTM F963.





Stadlbauer Marketing + Vertrieb GmbH · Rennbahn Allee 1 · 5412 Puch / Salzburg · Austria

[carrera-toys.com](http://carrera-toys.com)