

little tikes®

628566M
484049

XIM628566-1R1 - 6/14
www.littletikes.com
www.littletikes.co.uk
www.littletikes.nl
www.littletikes.pl

ENGLISH

ANCHORS AWAY PIRATE SHIP

Ages: 2 - 6 years
Please save sales receipt for proof of purchase.

WARNING:
ADULT ASSEMBLY REQUIRED.

- Keep these instructions for future reference.
- Prior to assembly, this package contains small parts: hardware which is a choking hazard and may contain sharp edges and sharp points. Keep away from children until assembled.
- Adult supervision required. Do not leave children unattended.
- This product is intended for outdoor domestic family use only.
- This product is intended for use by children ages 2-6 years.
- Use this product on a firm, level surface and avoid using near swimming pools, on or near steps, hills or inclines.
- Do not allow children to sit, stand play or climb on the top of surface. Failure to do so may cause the product to become unstable.
- Intended for use with the supplied accessories only.
- Never fill with anything except clean tap water. Use of other liquids may be harmful or damage the unit. Never fill with sand or dirt.
- Do not store or leave water in product when not in use.
- Thoroughly wash accessories before contact with food or beverage.
- Protect your eyes. Always wear safety glasses when using power tools.
- Do not attempt to modify or repair this product. For help contact Little Tikes Consumer Service.

MAINTENANCE

- Rinse product with clean tap water and allow to dry.
- When temperatures fall below 0°F/-18°C, outdoor use of this product is not recommended. In extreme cold, plastic materials lose resilience and may become brittle and crack upon impact. Store product in a warmer, protected place.

DISPOSAL

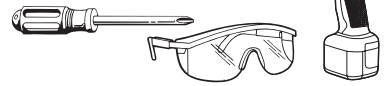
- Disassemble and dispose of equipment in such a manner that no hazardous conditions such as, but not limited to, small parts and sharp edges exist at the time equipment is discarded.

CONSUMER SERVICE

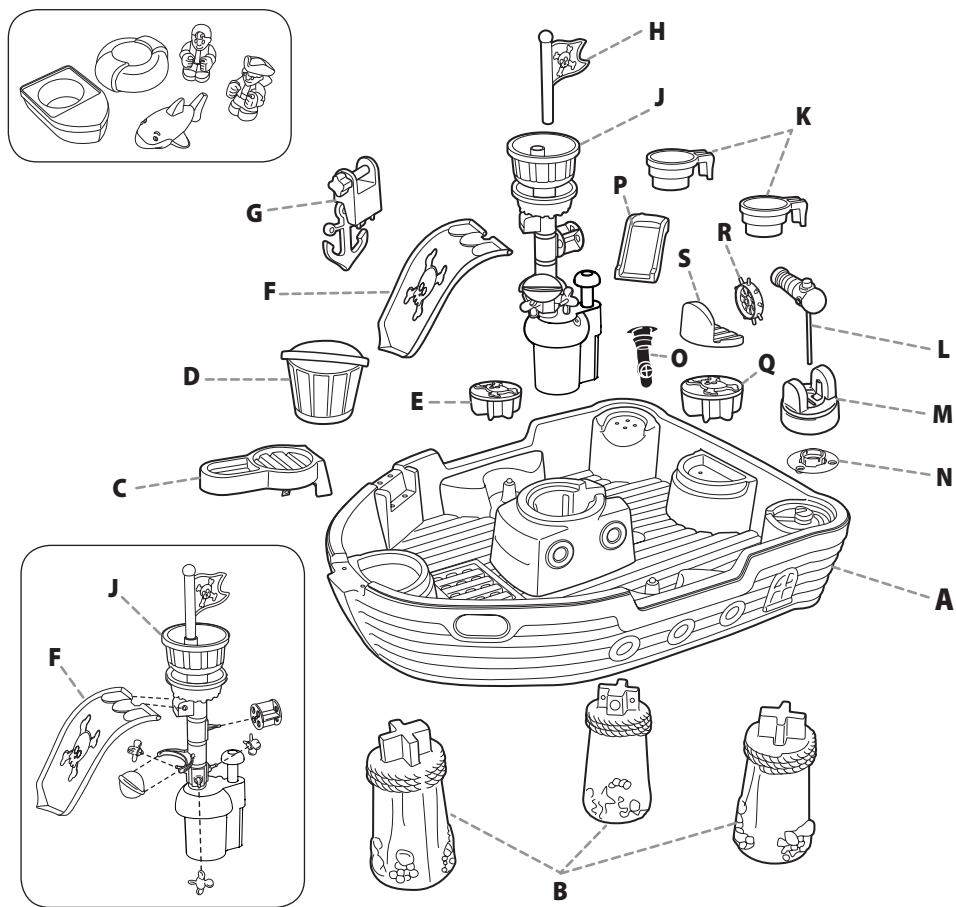
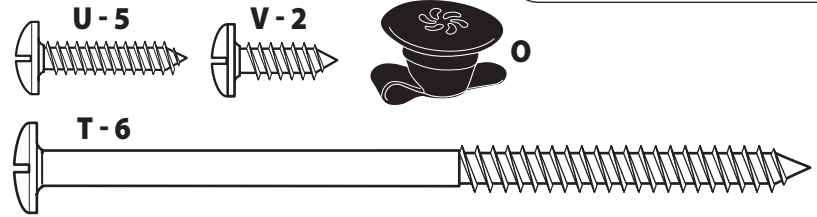
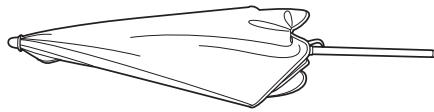
TOLL-FREE NUMBER:
United States:
www.littletikes.com
1-800-321-0183 Monday - Friday
The Little Tikes Company
2180 Barlow Road
Hudson, OH 44236
E-mail: littletikes.cares@littletikescare.com

Adult assembly required / Le montage devra être effectué par un adulte / Debe ser armado por un adulto

Tools required (not included)
Outils Requis (non compris)
Herramientas Requeridas (no incluidas)



Included in version 484049 only
Inclus dans la version 484049 seulement
Incluido en la versión 484049 sólo



United Kingdom:
www.littletikes.co.uk
Little Tikes
MGA Entertainment (UK) Ltd
50 Presley Way
Crownhill
Milton Keynes MK8 0ES
Bucks, UK
E-mail: Info.LittleTikes@mgae.com



Printed in U.S.A. D.R. ©2014 The Little Tikes Company
©The Little Tikes Company, an MGA Entertainment company. LITTLE TIKES® is a trademark of Little Tikes in the U.S. and other countries. All logos, names, characters, likenesses, images, slogans, and packaging appearance are the property of Little Tikes. Please keep this address and packaging for reference since it contains important information. Contents, including specifications and colors, may vary from photos depicted on package. Instructions included. Please remove all packaging including tags, ties & tacking stitches before giving this product to a child.

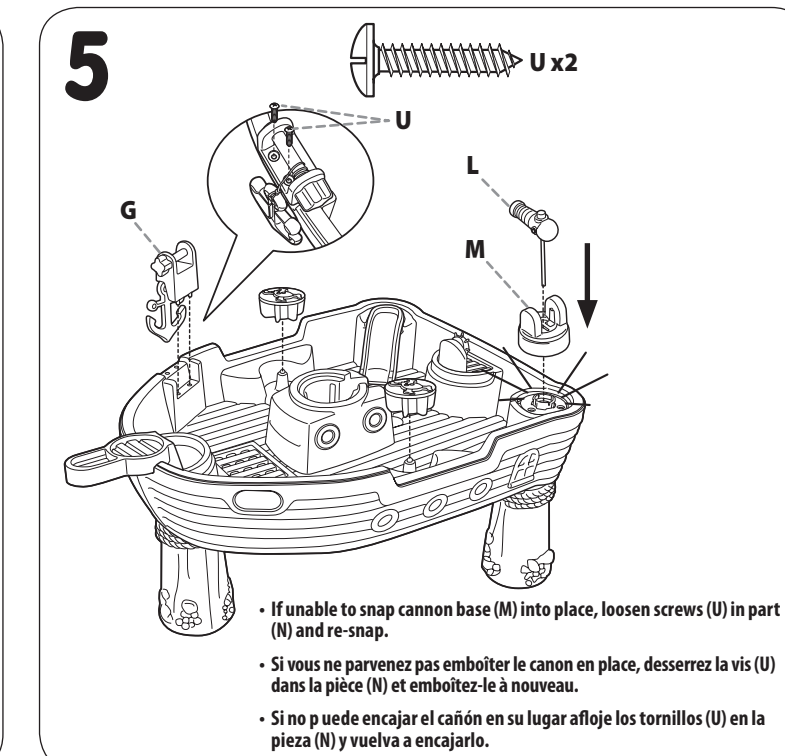
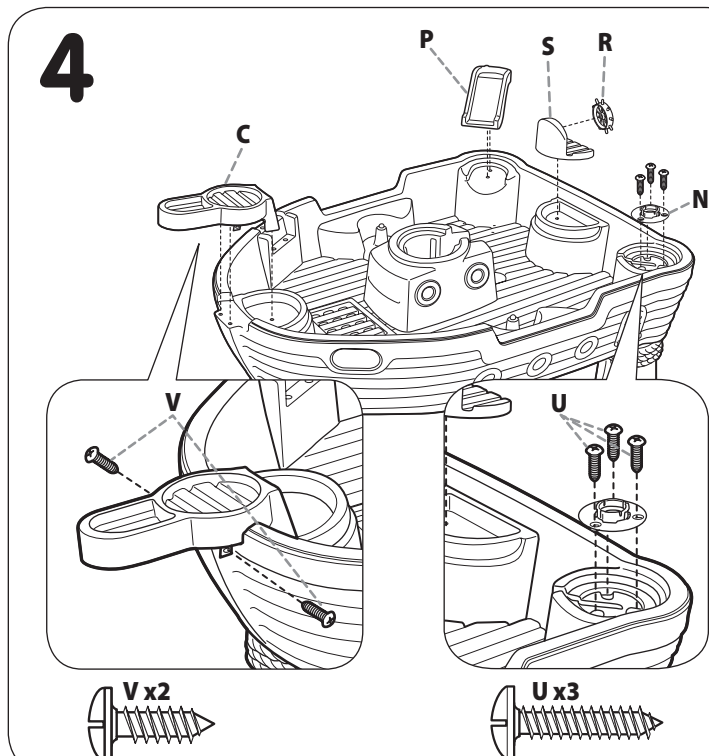
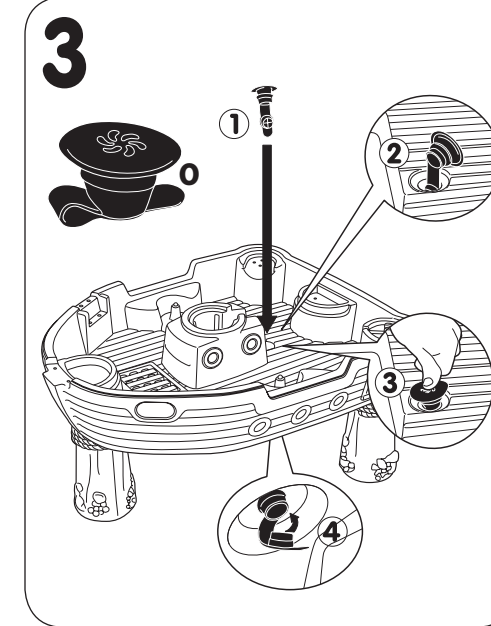
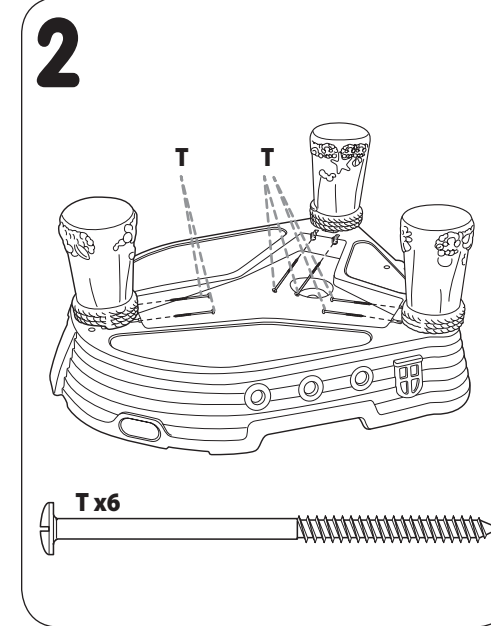
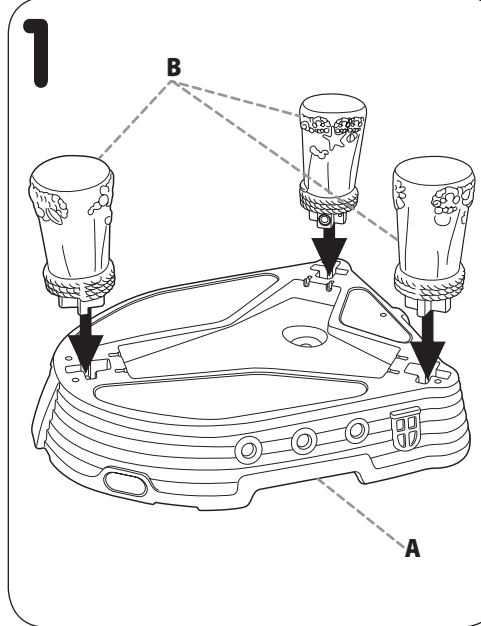
LIMITED WARRANTY

The Little Tikes Company makes fun, high quality toys. We warrant to the original purchaser that this product is free of defects in materials or workmanship for one year* from the date of purchase (dated sales receipt is required for proof of purchase). At the sole election of The Little Tikes Company, the only remedies available under this warranty will be the replacement of the defective part or replacement

Please keep this manual as it contains important information.



Visit our website at
www.littletikes.com
to register your product online and
to enter our sweepstakes.
(No purchase necessary)



- If unable to snap cannon base (M) into place, loosen screws (U) in part (N) and re-snap.
- Si vous ne parvenez pas à emboîter le canon en place, desserrez la vis (U) dans la pièce (N) et emboîtez-le à nouveau.
- Si no puede encajar el cañón en su lugar afloje los tornillos (U) en la pieza (N) y vuelva a encajarlo.

