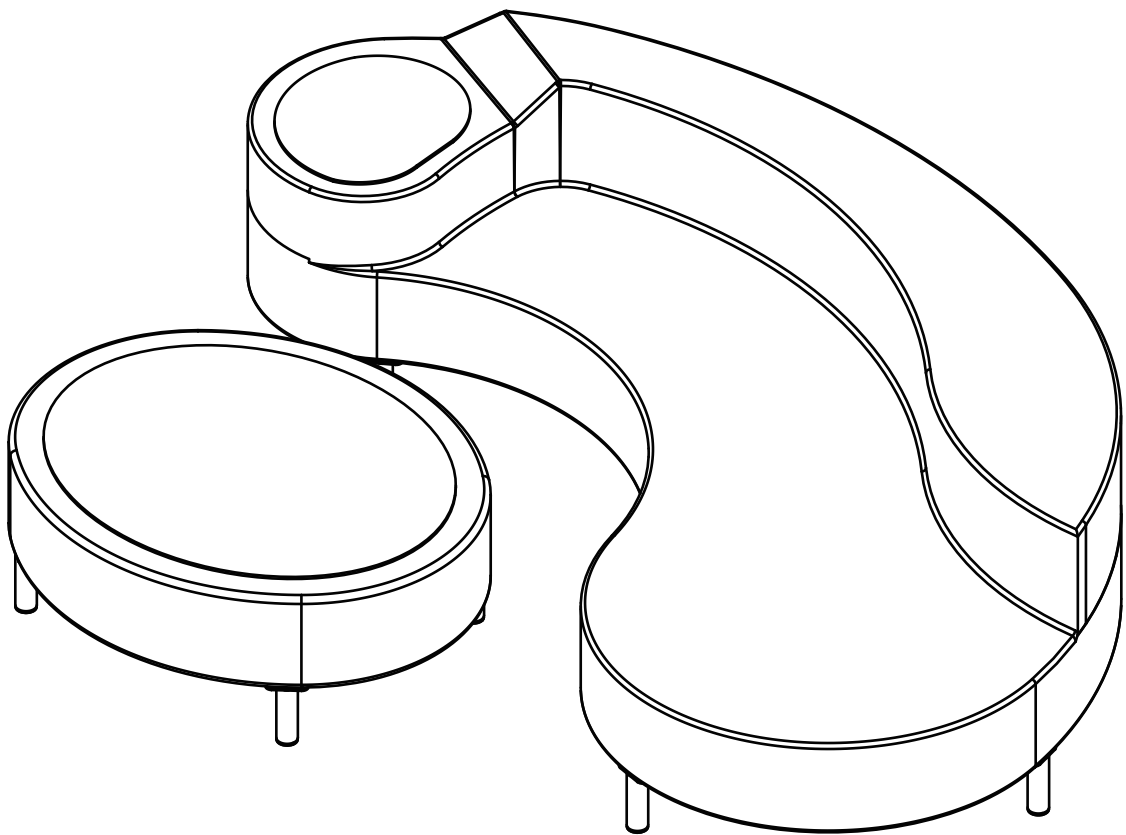

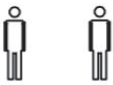
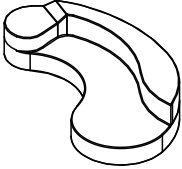
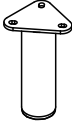
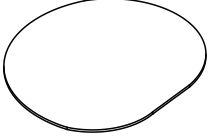
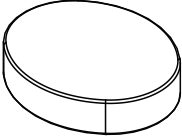
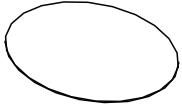



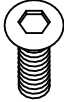

Lanterfaut®



Yvonne

 30 Min	
--	---

A		1
B		10
C		1
D		1
E		1

H0		1
J20	 M6*20	30
L15	 M6	30

