

**Series 8, Built-in oven, 60 x 60 cm,
White
HBG635BW1**



Included accessories

1 x enamel baking tray
1 x combination grid
1 x universal pan

**The built-in oven with AutoPilot:
automatically prepares perfect dishes.**

- **4D hotair:** even heat distribution for perfect results – on any level.
- **AutoPilot 10:** every dish is a perfect success thanks to 10 pre-set automatic programmes.
- **TFT-touchdisplay:** easy-to-use thanks to the control ring with clear text and symbols.
- **EcoClean Direct:** less cleaning effort thanks to a special coating of the rear wall that automatically absorbs grime.
- **Flap door with SoftOpen and SoftClose:** the oven door opens and closes especially gently and quietly.

Technical Data

Gross weight : 37.0 kg
Color / Material Front : White
Built-in / Free-standing : Built-in
Integrated Cleaning system : Catalytic partial, Hydrolytic
Min. required niche size for installation (HxWxD) : 585-595 x 560-568 x 550 mm
Dimensions : 595 x 594 x 548 mm
Dimensions of the packed product (HxWxD) : 670 x 680 x 670 mm
Control Panel Material : Glass
Door Material : Glass
Net weight : 34.6 kg
Usable volume of cavity : 71 l
Heating modes : , 4D hotair, Bottom heat, Defrost setting, Full width grill, Half width grill, Hold warm, Hot Air-Eco, Hot air grilling, Pizza setting, pre-heating, Soft steaming, Top/bottom heat
Number of interior lights : 1
Length electrical supply cord : 120.0 cm
Interior Lights - cavity 1 : 1
Pull-out system : Accessory
Clock function : Alarm, Off, On
Included accessories : 1 x enamel baking tray, 1 x combination grid, 1 x universal pan
Broil Element Wattages cavity 1 : 2800 W
Convection Element Wattages cavity 1 : 2200 W
Energy efficiency rating : A+
Energy consumption per cycle conventional (2010/30/EC) : 0.87 kWh/cycle
Energy consumption per cycle forced air convection (2010/30/EC) : 0.69 kWh/cycle
Energy efficiency index (2010/30/EC) : 81.2 %
Connection Rating : 3600 W
Fuse protection : 16 A
Voltage : 220-240 V
Frequency : 60; 50 Hz
Plug type : GARDY plug w/ earthing
Color / Material Front : White
Alternative colors available : HBG635BB1, HBG635BS1
Energy input : Electric
Required cutout/niche size for installation (in) : x x
Dimensions of the packed product : 26.37 x 26.37 x 26.77
Net weight : 76.000 lbs
Gross weight : 82.000 lbs
Length electrical supply cord : 120.0 cm
Net weight : 34.6 kg
Included accessories : 1 x enamel baking tray, 1 x combination grid, 1 x universal pan



Series 8, Built-in oven, 60 x 60 cm, White HBG635BW1

The built-in oven with AutoPilot: automatically prepares perfect dishes.

Type of oven / heating system:

- Oven with 13 heating methods: 4D hotair, Hotair Eco,, Conventional heat, Conventional heat ECO, Hot air grilling, Full width grill, Half width grill, Pizza setting, Bottom heat, Low temperature cooking, Defrost, Preheating, Hold warm
- Temperature range 30 °C - 300 °C
- Cavity volume: 71 l

Hook-in racks / rails

- Number of shelf levels: 5 PC
- Accessory

Design:

- Rotary swivel

Cleaning:

- EcoClean Direct: coating of back panel

Comfort:

- 2,5"-TFT-color and text display with touch-control buttons
- Electronic clock
- Temperature proposal
Actual temperature display Heating-up control Sabbath setting
- AutoPilot 10
- Oven door with SoftOpen and SoftClose, Drop down door
- Bar handle
- Supporting systems: Programs
- Rapid heating-up
- Halogen interior lighting, Switch for oven illumination
- Integral cooling fan

Accessory:

- universal pan, combination grid, enamel baking tray

Environment and Safety:

- low door temperature
- Child lock
Automatic switch off Residual heat indicator Start-/Stop button Door contact switch

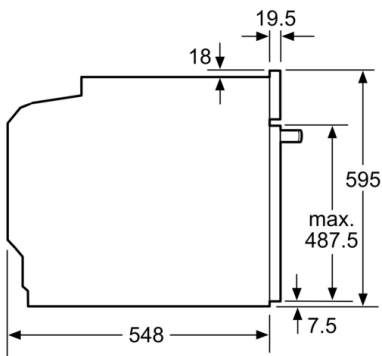
Technical Information

- Length of mains cable: 120 cm
- Nominal voltage: 220 - 240 V
- Total connected load electric: 3.6 KW
- Energy efficiency rating (acc. EU Nr. 65/2014): A+(at a range of energy efficiency classes from A+++ to D)
Energy consumption per cycle in conventional mode:0.87 kWh
Energy consumption per cycle in fan-forced convection mode:0.69 kWh
Number of cavities: 1 Heat source: electrical Cavity volume:71 l

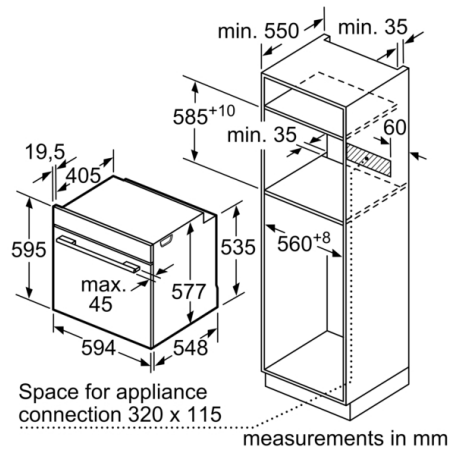
Dimensions:

- Appliance dimension (hxwx): 595 mm x 594 mm x 548 mm
- Niche dimension (hxwx): 585 mm - 595 mm x 560 mm - 568 mm x 550 mm
- "Please reference the built-in dimensions provided in the installation drawing"
- We recommend you to choose complementary products within Series 8, in order to assure an optimal design combination of your Built-In appliances.

Series 8, Built-in oven, 60 x 60 cm, White HBG635BW1



measurements in mm

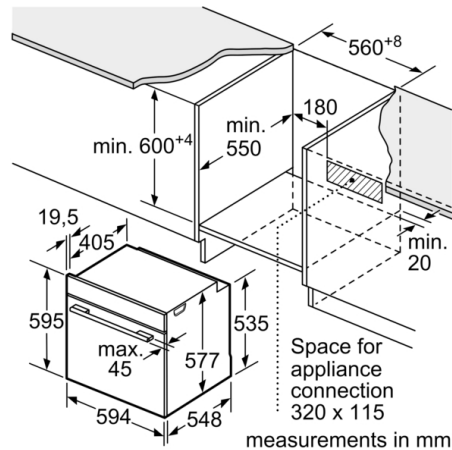


Space for appliance connection 320 x 115

measurements in mm

If the appliance will be installed underneath a hob, the following worktop thicknesses (including substructure if necessary) must be taken into account.

Hob type	min. worktop thickness	
	fitted	flush
Induction hob	37 mm	38 mm
Full surface Induction hob	47 mm	48 mm
Gas hob	30 mm	38 mm
Electric hob	27 mm	30 mm



Space for appliance connection 320 x 115

measurements in mm