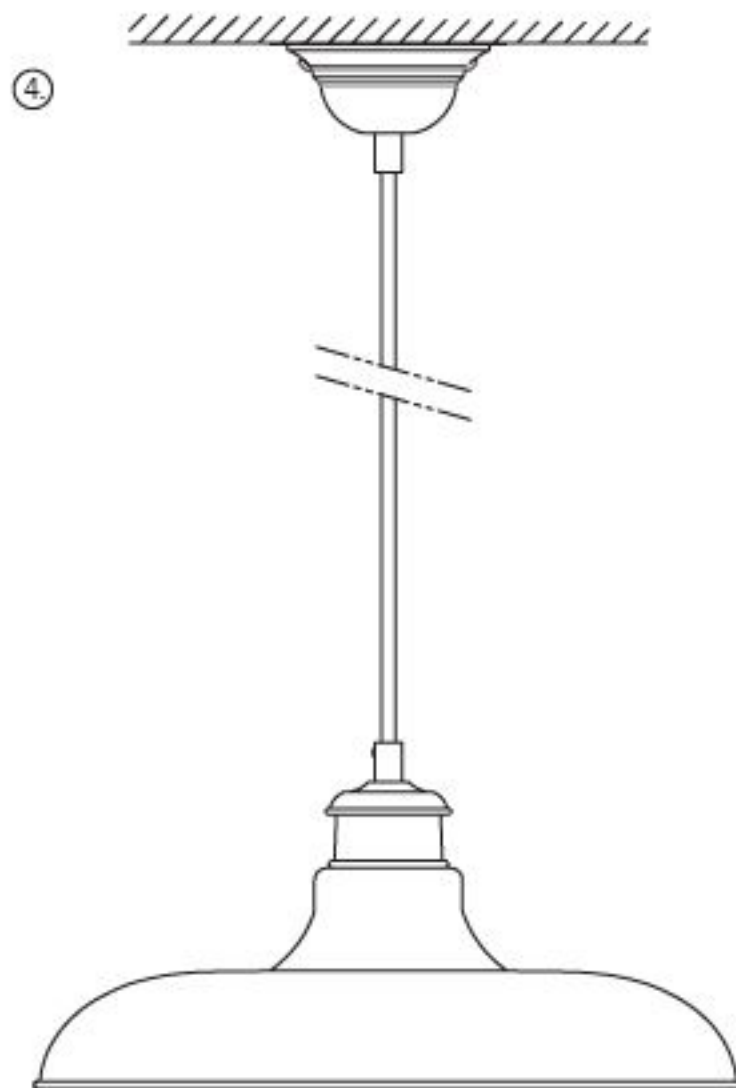
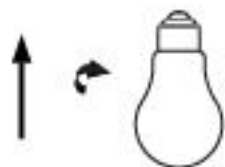
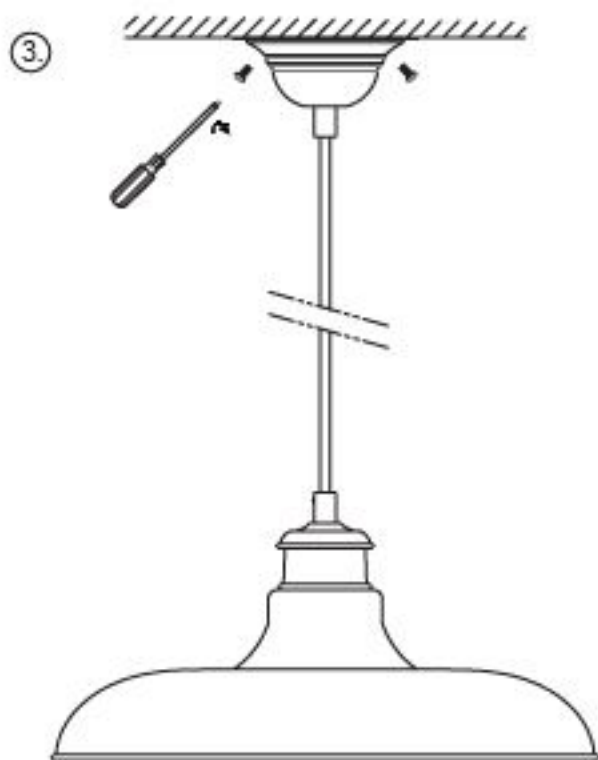
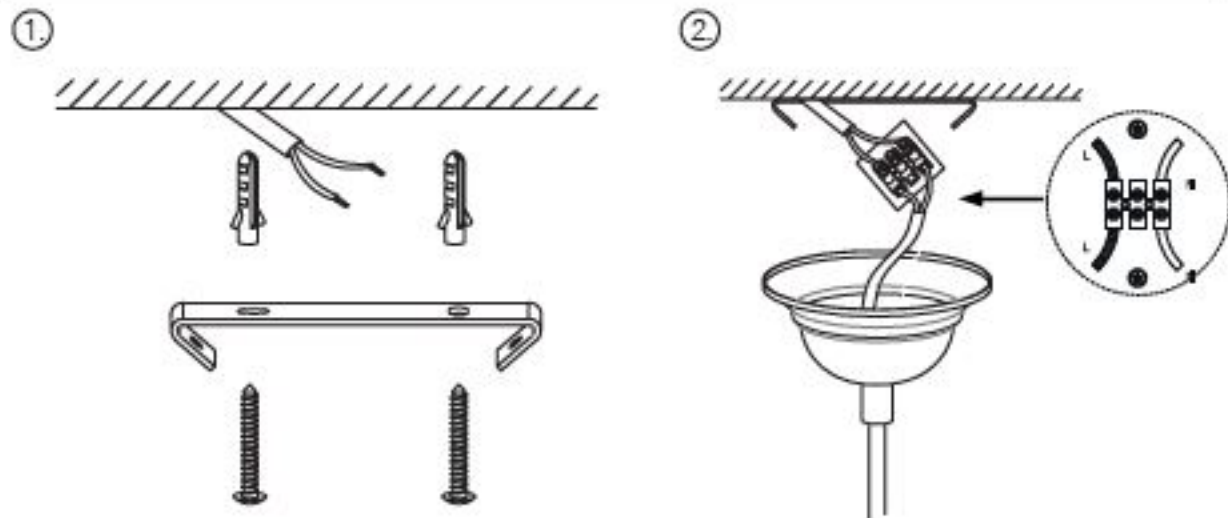


## Installation

- Please read through these instructions carefully before installation
  - This light fitting is suitable for indoor use only
- Please note that this luminaire does not have an earth cable, but remains a Class I fitting, as it is grounded with the use of the terminal block bracket within the ceiling rose



## Household Circuit Information

Household Circuit	Connects to	Fitting Wire Colour
Blue or Black (Neutral)	>	Neutral 'N'
Brown or Red – Switched Live	>	Live 'L'

## Check that...

- You have correctly identified the house wires
  - The connections are tight
- No loose strands have been left out of the connection block