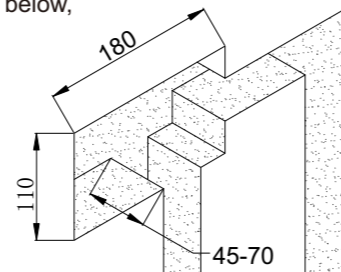


Concealed basin mixer with box

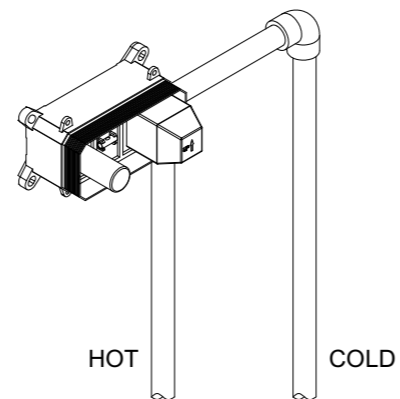
Instruction Guide

Installation Method

- 1 Referring to the drawing below, cut slots on the wall.



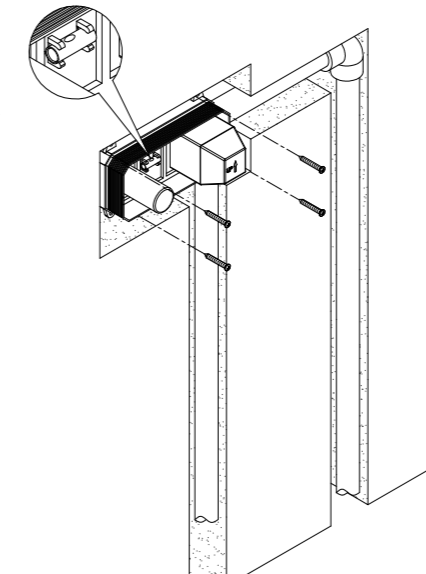
- 2 Connect the concealed mixer body with hot&cold pipes, then turn on the water supply to do a water test. Make sure there is no leakage in the joints and connections.



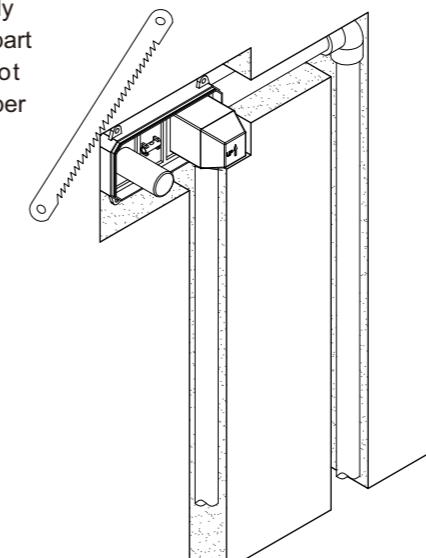
IGMX0302(2019/10)

Installation Method

- 3 Make sure the bubble inside the level gauge is in central position, then fix the box tightly in the slot.



- 4 Along the wall, carefully cut off the unwanted part of box frame, do not damage the white upper cover while cutting.

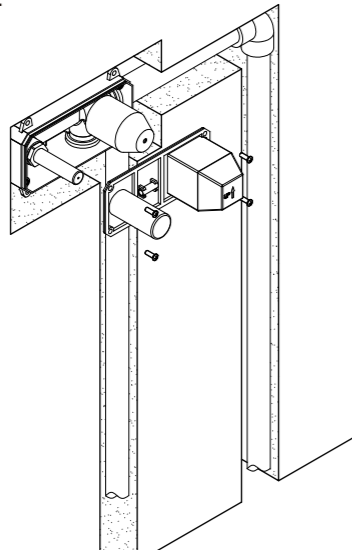


IGMX0302(2019/10)

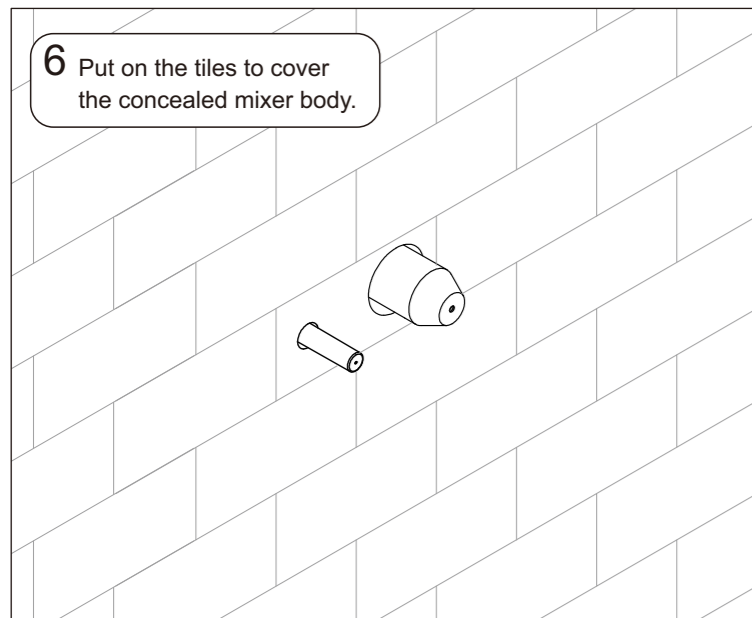
IGMX0302(2019/10)

Installation Method

5 Take off the white upper cover.



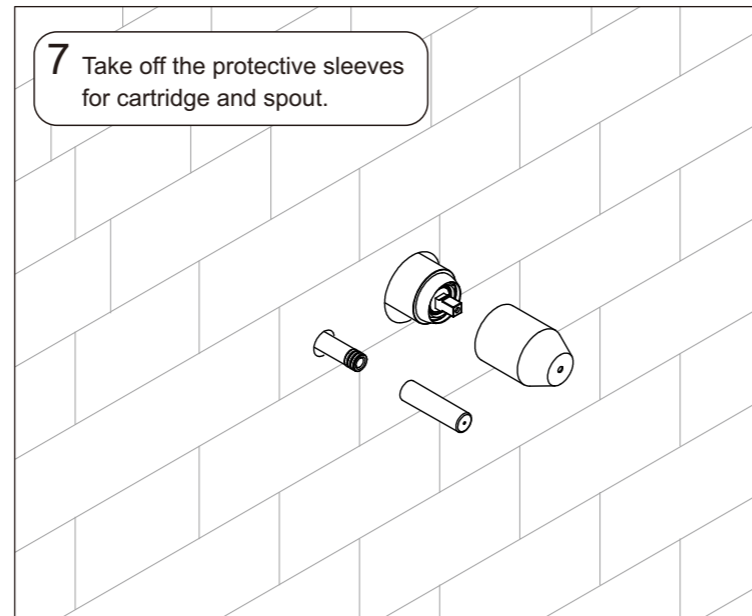
6 Put on the tiles to cover the concealed mixer body.



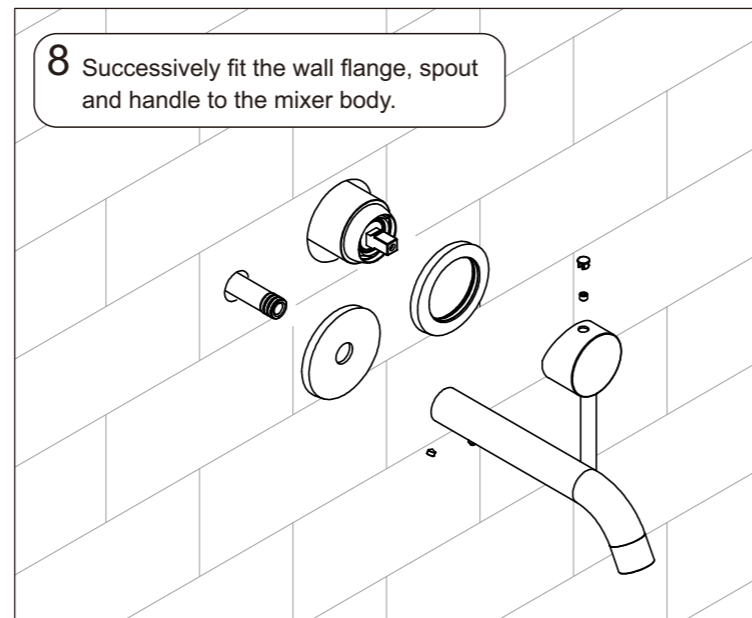
IGMX0302(2019/10)

Installation Method

7 Take off the protective sleeves for cartridge and spout.



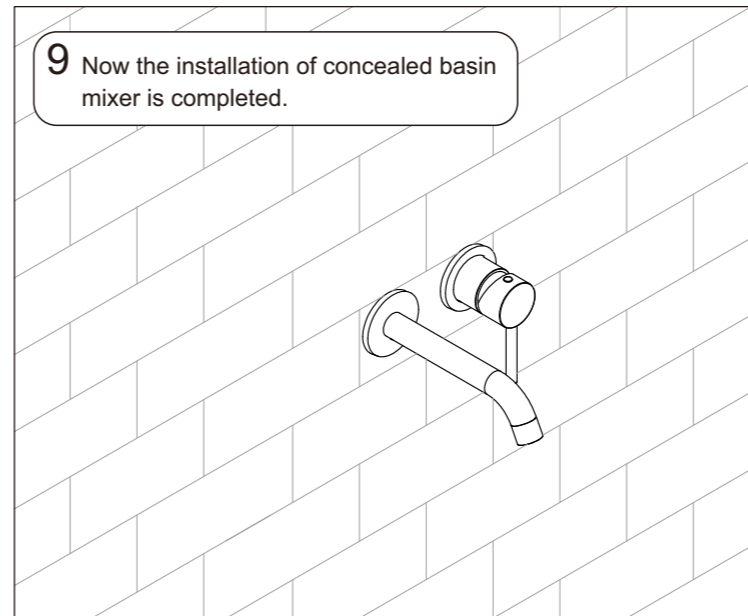
8 Successively fit the wall flange, spout and handle to the mixer body.



IGMX0302(2019/10)

Installation Method

9 Now the installation of concealed basin mixer is completed.



IGMX0302(2019/10)