

SILVERLINE[®]

810W Belt Sander 76mm

FR Ponceuse à bande 810 W

DE Bandschleifer, 810 W

ES Lijadora de banda 810 W

IT Levigatrice a nastro 810 W

NL 810 W bandschuurmachine

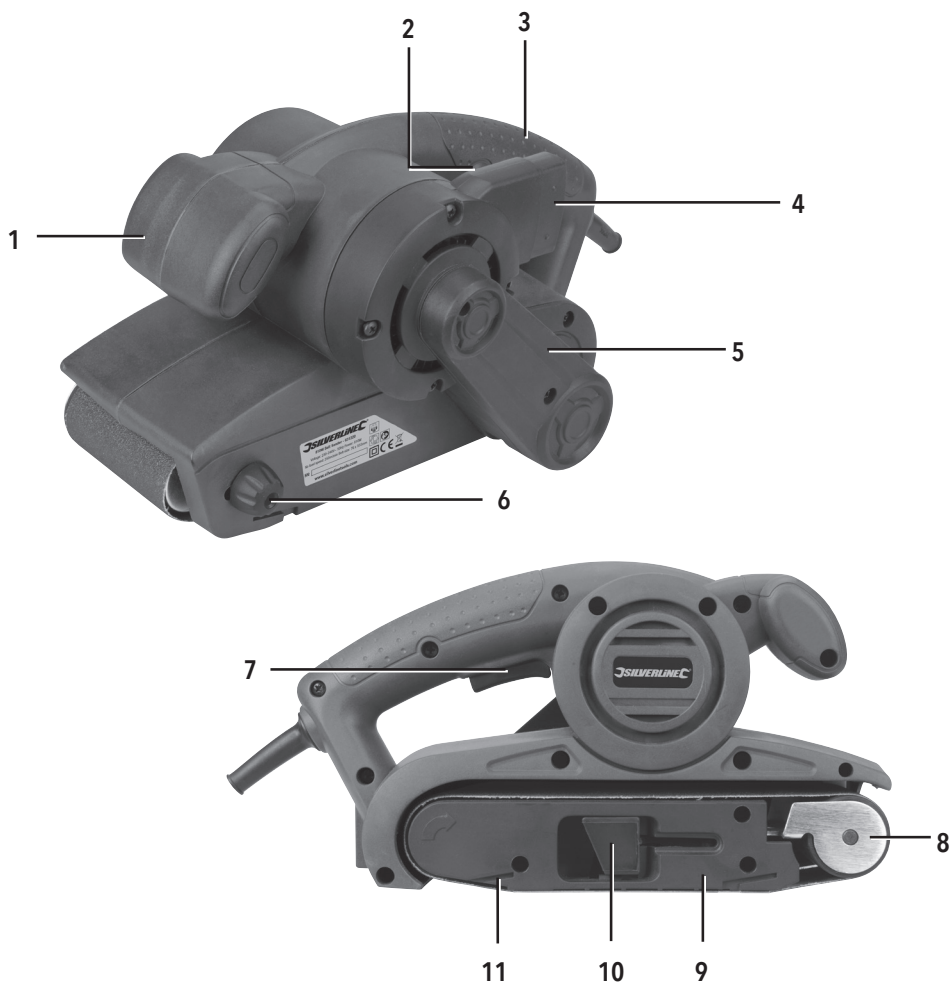
PL Szlifierka taśmowa 810 W

UK - 631320 / EU - 976337



Register online: silverlinetools.com





English	04
Français	10
Deutsch.....	16
Español.....	22
Italiano	28
Nederlands	34
Polski	40

Introduction

Thank you for purchasing this Silverline tool. This manual contains information necessary for safe and effective operation of this product. This product has unique features and, even if you are familiar with similar products, it is necessary to read this manual carefully to ensure you fully understand the instructions. Ensure all users of the tool read and fully understand this manual.

Description of Symbols

The rating plate on your tool may show symbols. These represent important information about the product or instructions on its use.



Wear hearing protection.
Wear eye protection.
Wear breathing protection.
Wear head protection.



Wear hand protection.



Read instruction manual.



Class II construction
(double insulated for additional protection)



Caution!



Conforms to relevant legislation and safety standards



Environmental Protection

Waste electrical products should not be disposed of with household waste. Please recycle where facilities exist. Check with your local authority or retailer for recycling advice

Technical Abbreviations Key

V	Volts
~, AC	Alternating current
A	Ampere
n	Rated speed
Hz	Hertz
W, kW	Watt, kilowatt
/min or min ⁻¹	Operations per minute

Specification

Voltage:	230 V~ 50Hz
Power:	810W
No load speed:	250m/min
Belt size (W x L):	76 x 533mm
Cable length:	1.8m
Protection class:	IPX0
Ingress Protection:	IPX0
Weight:	2.9kg

As part of our ongoing product development, specifications of Silverline products may alter without notice.

Sound and vibration information:	
Sound Pressure L _{pa} :	101.4dB(A)
Sound Power L _{wa} :	90.4dB(A)
Uncertainty K:	3dB
Weighted vibration a _w (main handle):	1.890m/s ²
Uncertainty K:	1.5m/s ²

The sound intensity level for the operator may exceed 85dB(A) and sound protection measures are necessary.

WARNING: Always wear ear protection where the sound level exceeds 85dB(A) and limit the time of exposure if necessary. If sound levels are uncomfortable, even with ear protection, stop using the tool immediately and check the ear protection is correctly fitted and provides the correct level of sound attenuation for the level of sound produced by your tool.

WARNING: User exposure to tool vibration can result in loss of sense of touch, numbness, tingling and reduced ability to grip. Long-term exposure can lead to a chronic condition. If necessary, limit the length of time exposed to vibration and use anti-vibration gloves. Do not operate the tool with hands below a normal comfortable temperature, as vibration will have a greater effect. Use the figures provided in the specification relating to vibration to calculate the duration and frequency of operating the tool.

Sound and vibration levels in the specification are determined according to international standards. The figures represent normal use for the tool in normal working conditions. A poorly maintained, incorrectly assembled, or misused tool, may produce increased levels of noise and vibration.

www.osha.europa.eu provides information on sound and vibration levels in the workplace that may be useful to domestic users who use tools for long periods of time.

General Safety

WARNING Read all safety warnings and all instructions. Failure to follow the warnings and instructions may result in electric shock, fire and/or serious injury.

WARNING: This appliance is not intended for use by persons (including children) with reduced, physical or mental capabilities or lack of experience or knowledge unless they have been given supervision or instruction concerning use of the appliance by a person responsible for their safety. Children must be supervised to ensure that they do not play with the appliance.

Save all warnings and instructions for future reference.

The term "power tool" in the warnings refers to your mains-operated (corded) power tool or battery-operated (cordless) power tool.

1) Work area safety

- Keep work area clean and well lit. Cluttered or dark areas invite accidents.
- Do not operate power tools in explosive atmospheres, such as in the presence of flammable liquids, gases or dust. Power tools create sparks which may ignite the dust or fumes.
- Keep children and bystanders away while operating a power tool. Distractions can cause you to lose control.

2) Electrical safety

- Power tool plugs must match the outlet. Never modify the plug in any way. Do not use any adapter plugs with earthed (grounded) power tools. Unmodified plugs and matching outlets will reduce the risk of electric shock.
- Avoid body contact with earthed or grounded surfaces, such as pipes, radiators, ranges and refrigerators. There is an increased risk of electric shock if your body is earthed or grounded.
- Do not expose power tools to rain or wet conditions. Water entering a power tool will increase the risk of electric shock.
- Do not abuse the cord. Never use the cord for carrying, pulling or unplugging the power tool. Keep cord away from heat, oil, sharp edges or moving parts. Damaged or entangled cords increase the risk of electric shock.
- When operating a power tool outdoors, use an extension cord suitable for outdoor use. Use of a cord suitable for outdoor use reduces the risk of electric shock.
- If operating a power tool in a damp location is unavoidable, use a residual current device (RCD) protected supply. Use of an RCD reduces the risk of electric shock.

3) Personal safety

- Stay alert, watch what you are doing and use common sense when operating a power tool. Do not use a power tool while you are tired or under the influence of drugs, alcohol or medication. A moment of inattention while operating power tools may result in serious personal injury.
- Use personal protective equipment. Always wear eye protection. Protective equipment such as dust mask, non-skid safety shoes, hard hat, or hearing protection used for appropriate conditions will reduce personal injuries.
- Prevent unintentional starting. Ensure the switch is in the off-position before connecting to power source and/or battery pack, picking up or carrying the tool. Carrying power tools with your finger on the switch or energising power tools that have the switch on invites accidents.
- Remove any adjusting key or wrench before turning the power tool on. A wrench or a key left attached to a rotating part of the power tool may result in personal injury.
- Do not overreach. Keep proper footing and balance at all times. This enables better control of the power tool in unexpected situations.
- Dress properly. Do not wear loose clothing or jewellery. Keep your hair, clothing and gloves away from moving parts. Loose clothes, jewellery or long hair can be caught in moving parts.
- If devices are provided for the connection of dust extraction and collection facilities, ensure these are connected and properly used. Use of dust collection can reduce dust-related hazards.
- Power tool use and care
 - Do not force the power tool. Use the correct power tool for your application. The correct power tool will do the job better and safer at the rate for which it was designed.
 - Do not use the power tool if the switch does not turn it on and off. Any power tool that cannot be controlled with the switch is dangerous and must be repaired.
 - Disconnect the plug from the power source and/or the battery pack from the power tool before making any adjustments, changing accessories, or storing power tools. Such preventive safety measures reduce the risk of starting the power tool accidentally.
 - Store idle power tools out of the reach of children and do not allow persons unfamiliar with the power tool or these instructions to operate the power tool. Power tools are dangerous in the hands of untrained users.
 - Maintain power tools. Check for misalignment or binding of moving parts, breakage of parts and any other condition that may affect the power tool's operation. If damaged, have the power tool repaired before use. Many accidents are caused by poorly maintained power tools.
 - Keep cutting tools sharp and clean. Properly maintained cutting tools with sharp cutting edges are less likely to bind and are easier to control.
 - Use the power tool, accessories and tool bits etc. in accordance with these instructions, taking into account the working conditions and the work to be performed. Use of the power tool for operations different from those intended could result in a hazardous situation.

5) Service

- Have your power tool serviced by a qualified repair person using only identical replacement parts. This will ensure that the safety of the power tool is maintained.

Sanding Tool Safety

WARNING: Hold the power tool by insulated handles or gripping surfaces only, because the sanding belt/sheet may contact its own cord. Cutting a "live" wire may make exposed metal parts of the power tool "live" and could give the operator an electric shock.

WARNING: Use clamps or another practical way to secure the workpiece to a stable platform. Holding the workpiece by hand or against the body makes it unstable and may lead to loss of control.

- ALWAYS wear appropriate protective equipment, including a dust mask with a minimum FFP2 rating, eye protection and ear defenders
- Ensure all people in the vicinity of the work area are also equipped with suitable personal protective equipment
- Take special care when sanding some woods (such as beech, oak, mahogany and teak), as the dust produced is toxic and can cause extreme reactions
- NEVER use to process any materials containing asbestos. Consult a qualified professional, if you are uncertain whether an object contains asbestos
- DO NOT sand magnesium or alloys containing a high percentage of magnesium
- Be aware of paint finishes or treatments that may have been applied to the material that is being sanded. Many treatments can create dust that is toxic, or otherwise harmful. If working on a building constructed prior to 1960, there is an increased chance of encountering lead-based paints
- The dust produced when sanding lead-based paints is particularly hazardous to children, pregnant women, and people with high blood pressure. DO NOT allow these people near to the work area, even if wearing appropriate personal protective equipment
- Whenever possible, use a vacuum dust extraction system to control dust and waste
- Be especially careful when using a machine for both wood and metal sanding. Sparks from metal can easily ignite wood dust. ALWAYS clean your machine thoroughly to reduce the risk of fire
- Empty the dust bag or container (where applicable) frequently during use, before taking breaks and after completion of sanding. Dust may be an explosion hazard. DO NOT throw sanding dust into an open fire. Spontaneous combustion may occur when oil or water particles come into contact with dust particles. Dispose of waste materials carefully and in accordance with local laws and regulations.
- Work surfaces and sandpaper can become very hot during use. If there is evidence of burning (smoke or ash), from the work surface, stop and allow the material to cool. DO NOT touch work surface or sandpaper until they have had time to cool
- DO NOT touch the moving sandpaper
- ALWAYS switch off before you put the sander down
- DO NOT use for wet sanding. Liquids entering the motor housing can cause severe electric shocks
- ALWAYS unplug the sander from the mains power supply before changing or replacing sandpaper
- Even when this tool is used as prescribed it is not possible to eliminate all residual risk factors. If you are in any doubt as to safe use of this tool, do not use it

Product Familiarisation

1	Front Handle
2	Lock On Button
3	Rear Handle
4	Dust Extraction Port
5	Drive Belt Housing Cover
6	Belt Tracking Adjuster
7	On/Off Trigger
8	Front Roller
9	Base
10	Belt Release Lever
11	Framing Slots
12	Dust Bag
13	Inversion Clamps
14	Inversion Adaptor

Accessories (not shown):

- 1 x Sanding Belt 100 Grit

Intended Use

Belt sander for light to medium duty removal of larger amounts of material, used on soft as well as hard wood, and similar materials.

Unpacking Your Tool

- Carefully unpack and inspect your new tool. Familiarise yourself with all its features and functions
- Ensure that all parts of the tool are present and in good condition. If any parts are missing or damaged, have such parts replaced before attempting to use this tool

Before Use

⚠ WARNING: Ensure the tool is disconnected from the power supply before attaching or changing any accessories, or making any adjustments.

Fitting a sanding belt

1. Place the sander upside down on a workbench or a similar secure, flat surface
2. Pull out the Belt Release Lever (10). This retracts the Front Roller (8) and slackens the sanding belt. The worn belt can now be removed
3. Fit the new sanding belt, positioning it squarely over the rollers
4. Close the Belt Release Lever. The belt should now be taut and secure
5. Once fitted, it may be necessary to adjust the Belt Tracking Adjuster (6) to ensure the belt runs true
6. Keep the sander inverted and connect it to the power supply
7. Hold the sander firmly by the Rear Handle (3) and depress the On/Off Trigger (7). Observe any sideways motion of the belt
8. If needed, turn the Belt Tracking Adjuster clockwise to move the belt left, or anti-clockwise to move the belt right until the belt runs true
9. Disconnect the sander from power supply

Fitting the Dust bag

- Push fit the Dust Bag (12) on to the Dust Extraction Port (4)
- To maintain an efficient dust removal process, do not allow the dust bag to become greater than two thirds full

Operation

⚠ WARNING: ALWAYS wear eye protection, adequate respiratory and hearing protection, as well as suitable gloves, when working with this tool.

Switching 'ON' and 'OFF'

- To start the tool, squeeze the On/Off Trigger (7). To stop the tool, release the trigger
- For extended continuous use, the On/Off Trigger can be locked in the 'on' position:
 1. Squeeze the On/Off Trigger and depress the Lock On Button (2); the machine will continue to run when the On/Off Trigger is released
 2. To stop the machine, squeeze and release the On/Off Trigger

Sanding

- Before starting to sand, ensure the workpiece is adequately secured. Use clamps as necessary, and always keep both hands on the machine
- To achieve a high quality finish efficiently, start with a coarse grade of sanding belt, and work through to finer grades until the desired finish is achieved
- Before connecting the machine to the power supply, check the On/Off Trigger (7) is in the off position, and the sanding belt is properly fitted
 1. Connect the sander to the power supply
 2. Raise the sander off the work surface and switch on. Squeeze the On/Off Trigger and allow the sander to reach its full operating speed
 3. Keeping a secure hold of the machine, lower the sander onto the work surface. To avoid unnecessary damage to the work surface, keep the movement direction of the sanding belt parallel with the natural grain of the wood
 4. Move the sander slowly across the surface of the workpiece until the desired amount of material has been removed
 5. Always lift the sander away from the surface of the workpiece before stopping the motor
 6. Ensure the motor has come to a complete stop before placing the machine down
 7. Always disconnect the machine from the power supply before leaving it unattended

Bench-mounted use

- The sander can be inverted for bench-mounted use when combined with the Inversion Adaptor (14) and Inversion Clamps (13)
 1. Place the sander on a secure flat surface, such as a workbench
 2. Centre the Inversion Adaptor on the Front Handle (1), and turn the sander upside down so it is resting on the Inversion Adaptor
 3. Clamp the sander to the work surface by locating the Inversion Clamps in the fastening holes of the sander, whilst positioning the plastic grips beneath the table surface
 4. Fasten the wing nuts on the Inversion Clamps to fix the sander securely to the surface

Emptying the dust bag

⚠ WARNING: Always switch off and disconnect from the power supply before detaching the dust extraction system.

1. Remove the Dust Bag (12) by gripping the neck and pulling the bag away from the Dust Extraction Port (4)
2. Open the bag, empty and refit (see 'Fitting the dust bag')

Note: If the sanding dust contains harmful substances, such as particles from old paint, varnish, surface coatings etc, always dispose of according to laws and regulations.

WARNING: For optimum dust removal, empty the dust bag when it is no more than two-thirds full.

Accessories

- A range of accessories and consumables, including 40 Grit Sanding Belts 75 x 533mm, 120 Grit Sanding Belts 75 x 533 and Sanding Belt Cleaning Block is available from your Silverline stockist. Spare parts can be obtained from toolsparsonline.com

Maintenance

⚠ WARNING: ALWAYS disconnect from the power supply before carrying out any inspection, maintenance or cleaning.

Drive belt replacement

- If the drive belt needs to be replaced:
 1. Place the sander on its side, with the Drive Belt Housing Cover (5) facing upwards
 2. Remove the two screws securing the Drive Belt Housing Cover, and remove the cover to reveal the drive belt and gears
 3. Remove the old drive belt and fit the new drive belt by looping it over the larger gear, then onto the smaller gear. Ensuring the teeth sit within the grooves on the gears

General inspection

- Regularly check that all the fixing screws are tight
- Inspect the supply cord of the tool, prior to each use, for damage or wear. Repairs should be carried out by an authorised Silverline service centre. This advice also applies to extension cords used with this tool

Cleaning

- Keep your tool clean at all times. Dirt and dust will cause internal parts to wear quickly, and shorten the machine's service life. Clean the body of your machine with a soft brush, or dry cloth. If available, use clean, dry, compressed air to blow through the ventilation holes
- Clean the tool casing with a soft damp cloth using a mild detergent. Do not use alcohol, petrol or strong cleaning agents
- Never use caustic agents to clean plastic parts

Lubrication

- Slightly lubricate all moving parts at regular intervals with a suitable spray lubricant

Brushes

- Over time the carbon brushes inside the motor may become worn
- Excessively worn brushes may cause loss of power, intermittent failure, or visible sparking
- If you suspect that the brushes may be worn, have them replaced at an authorised Silverline service centre

Storage

- Store this tool carefully in a secure, dry place out of the reach of children

Disposal

Always adhere to national regulations when disposing of power tools that are no longer functional and are not viable for repair.

- Do not dispose of power tools, or other waste electrical and electronic equipment (WEEE), with household waste
- Contact your local waste disposal authority for information on the correct way to dispose of power tools

Troubleshooting

Problem	Possible cause	Solution
No function when On/Off Trigger (7) is operated	No power	Check power supply
	Defective On/Off Trigger	Replace the On/Off Trigger at an authorised Silverline service centre
Sander pulls to the side during operation	Off-centre sanding belt	Adjust the Belt Tracking Adjuster (6) to align the belt. If problem persists, refit the belt as instructed in 'Fitting a sanding belt'
	Loose sanding belt	Ensure the Belt Release Lever (10) is securely closed. If problem persists, refit the belt as instructed in 'Fitting a sanding belt'
'Squealing' sound or intermittent loss of power whilst sanding	Drive belt is worn	Replace the drive belt as instructed in 'Drive belt replacement'
Belt sander running despite not touching the On/Off Trigger	Lock On Button (2) activated	To stop the machine, squeeze and release the On/Off Trigger

Silverline Tools Guarantee

This Silverline product comes with a 3 year guarantee

Register this product at www.silverlinetools.com within 30 days of purchase in order to qualify for the 3 year guarantee. Guarantee period begins according to the date of purchase on your sales receipt.

Registering your purchase

Registration is made at silverlinetools.com by selecting the Guarantee Registration button. You will need to enter:-

- Your personal details
- Details of the product and purchase information

Once this information is entered your guarantee certificate will be created in PDF format for you to print out and keep with your purchase.

Terms & Conditions

Guarantee period becomes effective from the date of retail purchase as detailed on your sales receipt.

PLEASE KEEP YOUR SALES RECEIPT

If this product develops a fault within 30 days of purchase, return it to the stockist where it was purchased, with your receipt, stating details of the fault. You will receive a replacement or refund.

If this product develops a fault after the 30 day period, return it to:

Silverline Tools Service Centre
PO Box 2988
Yeovil
BA21 1WJ, UK

The guarantee claim must be submitted during the guarantee period.

You must provide the original sales receipt indicating the purchase date, your name, address and place of purchase before any work can be carried out.

You must provide precise details of the fault requiring correction.

Claims made within the guarantee period will be verified by Silverline Tools to establish if the deficiencies are related to material or manufacturing of the product.

Carriage will not be refunded. Items for return must be in a suitably clean and safe state for repair, and should be packaged carefully to prevent damage or injury during transportation. We may reject unsuitable or unsafe deliveries.

All work will be carried out by Silverline Tools or its authorized repair agents.

The repair or replacement of the product will not extend the period of guarantee

Defects recognised by us as being covered by the guarantee shall be corrected by means of repair of the tool, free of charge (excluding carriage charges) or by replacement with a tool in perfect working order.

Retained tools, or parts, for which a replacement has been issued, will become the property of Silverline Tools.

The repair or replacement of your product under guarantee provides benefits which are additional to and do not affect your statutory rights as a consumer.

What is covered:

The repair of the product, if it can be verified to the satisfaction of Silverline Tools that the deficiencies were due to faulty materials or workmanship within the guarantee period.

If any part is no longer available or out of manufacture, Silverline Tools will replace it with a functional replacement part.

Use of this product in the EU.

What is not covered:

Silverline Tools does not guarantee repairs required as a result of:

Normal wear and tear caused by use in accordance with the operating instructions eg blades, brushes, belts, bulbs, batteries etc.

The replacement of any provided accessories drill bits, blades, sanding sheets, cutting discs and other related items.

Accidental damage, faults caused by negligent use or care, misuse, neglect, careless operation or handling of the product.

Use of the product for anything other than normal domestic purposes.

Change or modification of the product in any way.

Use of parts and accessories which are not genuine Silverline Tools components.

Faulty installation (except installed by Silverline Tools).

Repairs or alterations carried out by parties other than Silverline Tools or its authorized repair agents.

Claims other than the right to correction of faults on the tool named in these guarantee conditions are not covered by the guarantee.

Introduction

Nous vous remercions d'avoir choisi cet équipement Silverline. Ces instructions contiennent les informations nécessaires pour vous en garantir un fonctionnement efficace et en toute sécurité. Veuillez lire attentivement ce manuel pour vous assurer de tirer pleinement avantage des caractéristiques uniques de votre nouvel équipement.

Gardez ce manuel à portée de main et assurez-vous que tous les utilisateurs l'aient lu et bien compris avant toute utilisation. Conservez-le pour toute référence ultérieure.

Description des symboles

La plaque signalétique figurant sur votre outil peut présenter des symboles. Ces symboles constituent des informations importantes relatives au produit ou des instructions concernant son utilisation.



Port de protection auditive
Port de lunettes de sécurité
Port de masque respiratoire
Port de casque



Port de gants



Lire le manuel d'instructions



Double isolation pour une protection supplémentaire



Attention !



Conforme à la réglementation et aux normes européennes de sécurité pertinentes



Protection de l'environnement

Les produits électriques usagés ne doivent pas être jetés avec les ordures ménagères. Veuillez les recycler dans les centres prévus à cet effet. Pour de plus amples informations, veuillez contacter votre municipalité ou point de vente

Abréviations pour les termes techniques

V	Volts
~, AC	Courant alternatif
A	Ampère
n	Vitesse nominale
Hz	Hertz
W, kW	Watt, kilowatt
/min or min ⁻¹	Opérations par minute

Caractéristiques techniques

Tension:	2230 V~, 50 Hz
Puissance:	810 W
Vitesse à vide:	250 m/min
Dimensions de la bande:	76 x 533 mm
Longueur du câble d'alimentation	1,8 m
Classe de protection:	
Indice de protection:	IPX0
Poids:	2,9kg

Du fait de l'évolution constante de nos produits, les caractéristiques des produits Silverline peuvent changer sans notification préalable.

Informations relatives au niveau d'intensité sonore et vibratoire

Pression acoustique L_{WA} :	101,4 dB(A)
Puissance acoustique L_{WA} :	90,4 dB(A)
Incertitude K:	3 dB
Vibration pondérée a_w (poignée principale):	1,890 m/s ²
Incertitude K:	1,5 m/s ²

L'intensité sonore peut dépasser 85 dB(A) et il est nécessaire que l'utilisateur porte des protections auditives.

AVERTISSEMENT : Portez toujours des protections auditives lorsque le niveau d'intensité est supérieur à 85 dB(A) et limitez le temps d'exposition si nécessaire. Si l'intensité sonore devient inconfortable, même avec les protections, arrêtez immédiatement d'utiliser l'appareil, vérifiez que les protections sont bien en places et adaptés avec le niveau sonore produit par l'appareil.

AVERTISSEMENT : L'exposition de l'utilisateur aux vibrations peut engendrer une perte du toucher, des engourdissements, des picotements et ainsi réduire la capacité de préhension. De longues expositions peuvent également provoquer ces symptômes de façon chronique. Si nécessaire, limitez le temps d'exposition aux vibrations et portez des gants anti-vibrations. N'utilisez pas cet appareil lorsque la température de vos mains est en dessous des températures normales, car l'effet vibratoire en est accentué. Référez-vous aux chiffres indiqués dans les caractéristiques techniques des caractéristiques relatifs aux vibrations pour calculer le temps et la fréquence d'utilisation de l'appareil.

Les niveaux sonores et vibratoires des caractéristiques techniques sont déterminés en fonction de la norme EN60745 ou autres normes internationales. Ces données correspondent à un usage normal de l'appareil, et ce dans des conditions de travail normales. Un appareil mal entretenu, mal assemblé ou mal utilisé peut augmenter les niveaux sonores et vibratoires. Pour plus d'informations sur la directive des émissions sonores et vibratoires, visitez le site <http://osha.europa.eu/fr>.

Consignes de sécurité générales relatives à l'utilisation d'appareils électriques

AVERTISSEMENT : Veuillez lire toutes les consignes de sécurité et toutes les instructions. Le non-respect des instructions et consignes de sécurité peut entraîner un risque de décharge électrique, d'incendie et/ou de blessures graves.

AVERTISSEMENT : Cet appareil n'est pas prévu pour être utilisé par des personnes (enfants y compris) ayant des capacités mentales ou physiques réduites ou manquant d'expérience à moins qu'ils soient supervisés ou qu'une personne responsable de leur sécurité leur donne des instructions concernant l'utilisation de cet appareil.

Veuillez conserver ces instructions et consignes de sécurité pour référence ultérieure.

L'expression « appareil/outil électrique » employée dans les présentes consignes recouvre aussi bien les appareils filaires à brancher sur secteur que les appareils sans fils fonctionnant avec batterie.

1. Sécurité sur la zone de travail

- Maintenir une zone de travail propre et bien éclairée. Des zones encombrées et mal éclairées sont sources d'accidents.
- Ne pas utiliser d'outils électriques dans des environnements explosifs, tels qu'à proximité de liquides, de gaz ou de poussières inflammables. Les outils électriques produisent des étincelles susceptibles d'enflammer la poussière ou les vapeurs présentes.
- Éloigner les enfants et toute personne se trouvant à proximité pendant l'utilisation d'un outil électrique. Ceux-ci pourraient vous distraire et vous faire perdre la maîtrise de l'appareil.

2. Sécurité électrique

- Les prises des outils électriques doivent correspondre aux prises du secteur. Ne modifiez jamais la prise en aucune façon. N'utilisez jamais d'adaptateur avec les outils électriques mis à la terre. Des prises non modifiées, adaptées aux boîtiers de prise de courant, réduiront les risques de décharge électrique.
- Éviter le contact corporel avec les surfaces mises à la terre telles que tuyaux, radiateurs, cuisiniers et réfrigérateurs. Le risque de décharge électrique est plus important si votre corps est mis à la terre.
- Ne pas exposer votre outil électrique à la pluie ou à l'humidité. L'infiltration d'eau dans un outil électrique augmentera le risque de décharge électrique.
- Ne pas maltraiter le cordon électrique. N'utilisez jamais le cordon électrique pour porter, tirer ou débrancher l'outil électrique. Conservez le cordon électrique à l'écart de la chaleur, de l'essence, de bords tranchants ou de pièces en mouvement. Un cordon électrique endommagé ou entortillé accroît le risque de décharge électrique.
- Au cas où l'outil électroportatif serait utilisé à l'extérieur, servez-vous d'une rallonge appropriée à une utilisation en extérieur. Cela réduit le risque de décharge électrique.
- Si une utilisation de l'outil dans un environnement humide ne peut être évitée, utilisez une alimentation protégée par un disjoncteur différentiel. L'utilisation d'un disjoncteur différentiel réduit le risque de décharge électrique.
- Lorsqu'utilisé en Australie ou en Nouvelle Zélande, il est recommandé que cet appareil soit toujours alimenté via un disjoncteur différentiel ayant un courant résiduel de 30 mA ou moins.

3. Sécurité des personnes

- Rester vigilant et faire preuve de sens lors de la manipulation de l'outil. Ne pas utiliser d'outil électrique en état de fatigue ou sous l'influence de drogues, d'alcool ou de médicaments. Un moment d'inattention pendant l'utilisation d'un outil électrique peut se traduire par des blessures graves.
 - Porter des équipements de protection. Porter toujours des lunettes de protection. Le port d'équipements de protection tels que des masques à poussières, des chaussures de sécurité antidérapantes, un casque de sécurité ou des protections antibruit, selon le travail à effectuer, réduira le risque de blessures aux personnes.
 - Éviter tout démarrage accidentel. S'assurer que l'interrupteur marche-arrêt soit en position d'arrêt (Off) avant de brancher l'outil sur l'alimentation secteur. Porter un outil électrique tout en maintenant le doigt posé sur l'interrupteur ou brancher un outil électrique dont l'interrupteur est sur la position de marche (On) est source d'accidents.
 - Enlever toute clé ou tout instrument de réglage avant de mettre l'outil électrique en rotation. Une clé ou un instrument de réglage laissé fixé à un élément en rotation de l'outil électrique peut entraîner des blessures physiques.
 - Ne pas essayer d'atteindre une zone hors de portée. Se tenir toujours en position stable et conserver l'équilibre. Cela permet de mieux contrôler l'outil électrique dans des situations inattendues.
 - Porter des vêtements appropriés. Ne pas porter de vêtements amples ou des bijoux pendants. Les vêtements amples, les bijoux pendants ou les cheveux longs peuvent être happés par les pièces en mouvement.
 - Si l'outil est pourvu de dispositifs destinés au raccord d'équipements d'extraction et de récupération de la poussière/sciure, s'assurer qu'ils soient bien fixés et utilisés correctement. L'utilisation de ces dispositifs peut réduire les risques dus à la poussière.
- ### 4. Utilisation et entretien des outils électriques
- Ne pas surcharger l'outil électrique. Utiliser l'outil électrique approprié au travail à effectuer. Un outil électrique adapté et employé au rythme pour lequel il a été conçu permettra de réaliser un travail de meilleure qualité et dans de meilleures conditions de sécurité.
 - Ne pas utiliser un outil électrique dont l'interrupteur marche-arrêt est hors service. Tout outil électrique dont la commande ne s'effectue plus par l'interrupteur marche-arrêt est dangereux et doit être réparé.
 - Débrancher l'outil électrique avant d'effectuer tout réglage, changement d'accessoire ou avant de le ranger. De telles mesures préventives réduiront les risques de démarrage accidentel.
 - Ranger les outils électriques inutilisés hors de portée des enfants et ne pas permettre l'utilisation de ces outils aux personnes novices ou n'ayant pas connaissance de ces instructions. Les outils électriques sont dangereux dans les mains d'utilisateurs inexpérimentés.
 - Veiller à l'entretien des outils électriques. Vérifier que les éléments rotatifs soient bien alignés et non grippés. S'assurer de l'absence de pièces cassées ou endommagées susceptibles de nuire au bon fonctionnement de l'outil. Si l'outil électrique est endommagé, le faire réparer avant toute utilisation. De nombreux accidents sont causés par l'utilisation d'outils électriques mal entretenus.
 - Garder les outils de coupe affûtés et propres. Des outils de coupe bien entretenus, aux tranchants bien affûtés, sont moins susceptibles de se gripper et sont plus faciles à contrôler.
 - Utiliser l'outil électrique, les accessoires et les outils à monter, etc., conformément à ces instructions et selon l'utilisation prévue pour le type d'outil donné, en tenant compte des conditions de travail et de la tâche à réaliser. Toute utilisation de cet outil électrique autre que celle pour laquelle il a été conçu peut entraîner des situations à risque et entraînerait une annulation de sa garantie.
- ### 5. Entretien
- Ne faire réparer l'outil électrique que par un réparateur qualifié utilisant uniquement des pièces de rechange identiques. Cela permettra d'assurer la sécurité continue de cet outil électrique.

Consignes de sécurité relatives aux outils de ponçage

ATTENTION : Tenez l'outil électrique uniquement par ses poignées ou surfaces de préhension isolées, car la courroie ou la feuille abrasive pourrait entrer en contact avec son propre câble d'alimentation. Couper un câble sous tension pourrait mettre l'outil sous tension et occasionner un choc électrique à l'utilisateur.

ATTENTION : Utilisez un serre-joint ou un étai pour maintenir la pièce de travail sur une surface stable. Tenir la pièce de travail à la main ou contre le corps la rend instable et peut causer une perte de contrôle.

- Portez TOUJOURS des équipements de sécurité appropriés, parmi lesquels un masque contre les poussières d'une protection minimum FFP2, des lunettes de sécurité et un casque anti-bruit.
- Il vous appartient de veiller à ce que les personnes se trouvant à proximité de votre zone de travail soient également protégées par des équipements adéquats.
- Prenez des précautions particulières lors du ponçage de certaines essences de bois (le hêtre, le chêne, l'acajou et le teck, par exemple) car la poussière produite est toxique et peut provoquer des réactions aiguës chez certaines personnes.
- Ne vous servez jamais de cet outil pour travailler sur des matériaux contenant de l'amiante. Consultez un professionnel qualifié si vous ne savez pas si un objet contient de l'amiante.
- Ne poncez pas le magnésium ni les alliages qui en contiennent une proportion élevée.
- Tenez compte des peintures de finition et des traitements qui peuvent avoir été appliqués sur la matière à poncer. De nombreux traitements peuvent produire une poussière toxique ou dangereuse pour la santé. Si vous travaillez dans un bâtiment dont la construction est antérieure à 1960, sachez que la présence de peintures à base de plomb est fort probable.
- La poussière produite par le ponçage des peintures à base de plomb est particulièrement dangereuse pour les enfants, les femmes enceintes et les personnes atteintes d'hypertension. Assurez-vous que ces personnes se tiennent à l'écart de la zone de travail, même si elles portent un équipement de protection adéquat.
- Dans la mesure du possible, employez un système d'extraction des poussières pour mieux contrôler la dispersion des poussières.
- Observez la plus grande prudence lors de l'utilisation d'un même appareil pour poncer le bois et le métal. Les étincelles du métal peuvent aisément enflammer les poussières de bois. Nettoyez TOUJOURS l'outil complètement pour réduire le risque d'incendie.
- Videz régulièrement le sac à poussière ou le récipient durant l'utilisation, avant de prendre une pause et après avoir fini de poncer. La poussière peut représenter un risque d'explosion. N'incinerez pas la poussière de ponçage. Une combustion spontanée peut se produire lorsque des particules d'huile ou d'eau entrent en contact avec les particules de poussière. Éliminez les déchets de ponçage avec précaution et conformément aux lois et réglementations locales.
- Les surfaces de travail et le papier abrasif peuvent atteindre des températures très élevées au cours du travail ; en cas de signe de combustion (fumée ou cendre) de la surface de travail, arrêtez l'opération en cours et attendez que le matériel refroidisse. Ne touchez pas la surface de travail ni le papier abrasif avant qu'ils n'aient eu le temps de refroidir.
- Ne touchez pas la feuille de ponçage lorsqu'elle est en mouvement.
- Éteignez toujours l'appareil avant de le déposer.
- Ne vous servez pas de cet outil pour le ponçage humide. Les liquides qui entrent dans le boîtier moteur peuvent causer des chocs électriques graves.
- Débranchez toujours l'appareil avant de procéder au changement ou à l'installation d'un accessoire.
- Même lorsque l'outil est utilisé comme indiqué, il est impossible d'éliminer tous les facteurs de risque résiduels. Si vous avez des doutes quant à la manière sûre et correcte de procéder, il est recommandé de ne pas utiliser cet outil.

Descriptif du produit

1	Poignée avant
2	Bouton de marche continue
3	Poignée arrière
4	Orifice d'extraction de la poussière
5	Capot d'accès à la courroie
6	Bouton de centrage de la bande
7	Gâchette marche/arrêt
8	Rouleau avant
9	Semelle
10	Lever de relâchement de la bande
11	Orifices du cadre
12	Sac à poussières
13	Pinces d'inversion
14	Adaptateur d'inversion

Accessoires (non illustrés)

- 1 x bande abrasive grain 100

Usage conforme

Ponceuse à bande pour travaux d'intensité légère à moyenne et assurant une élimination importante de matière. Convient pour utilisation sur bois tendres ou durs et autres matériaux similaires.

Déballage

- Déballer le produit avec soin. Veillez à retirer tous les matériaux d'emballage et familiarisez-vous avec toutes les caractéristiques du produit.
- Si des pièces sont endommagées ou manquantes, faites-les réparer ou remplacer avant d'utiliser l'appareil.

Avant utilisation

⚠ ATTENTION : Assurez-vous que l'outil est débranché avant d'installer ou de changer un accessoire ou d'effectuer des réglages.

Pose d'une bande de ponçage

1. Placez la ponceuse à l'envers sur l'établi ou autre plan de travail dur et plan.
2. Tirez le levier de relâchement de la bande (10) vers l'extérieur. Cela rétracte le rouleau avant (8) et détend la bande de ponçage. La bande peut à présent être retirée.
3. Posez la nouvelle bande de ponçage sur les rouleaux en la plaçant bien sur les rouleaux.
4. Repoussez le levier de relâchement de la bande. La bande doit maintenant être tendue et fermement fixée.
5. Lors de la pose d'une nouvelle bande de ponçage, il peut être nécessaire de régler le rouleau grâce au bouton de centrage de la bande (6) avant afin de garantir le centrage correct de la bande.
6. Maintenez la ponceuse à l'envers sur l'établi et branchez-la sur le secteur.
7. Tenez la ponceuse fermement par la poignée arrière (3) et appuyez sur l'interrupteur à gâchette (7). Recherchez tout déplacement latéral de la bande.
8. Si nécessaire, tournez le bouton de centrage de la bande dans le sens des aiguilles d'une montre afin de déplacer la bande vers la gauche, et dans le sens contraire des aiguilles d'une montre pour déplacer la bande vers la droite, jusqu'à obtenir un bon centrage.
9. Une fois le processus terminé, éteignez l'appareil.

Pose du sac à poussières

- Enfoncez le sac à poussières (12) sur l'orifice d'extraction de la poussière (4).
- Ne laissez pas le sac s'emplier plus des 2 tiers car il ne pourrait plus fonctionner efficacement.

Instructions d'utilisation

⚠ ATTENTION : Portez TOUJOURS des lunettes de protection et des protections auditives ainsi que des gants adaptés lorsque vous travaillez avec cet outil.

Mettre en marche/arrêt

- Pour démarrer la machine, appuyez sur l'interrupteur à gâchette (7). Pour l'arrêter, relâchez-le.
 - Pour un usage continu prolongé, il peut être préférable de verrouiller l'interrupteur à gâchette en position « marche ».
1. Appuyez sur l'interrupteur à gâchette puis sur le bouton de marche continue (2). La machine continuera à fonctionner même lorsque l'interrupteur à gâchette sera relâché.
 2. Pour arrêter la machine, appuyez sur l'interrupteur à gâchette puis relâchez-le.

Ponçage

- Avant de commencer, assurez-vous que le matériel à poncer ne puisse pas bouger ou glisser. Au besoin, utilisez des dispositifs de fixation. Tenez toujours la machine à deux mains.
 - Pour obtenir efficacement une finition de grande qualité, commencez toujours par utiliser une bande de ponçage à gros grains et poursuivez en diminuant l'épaisseur du grain jusqu'à l'obtention du résultat voulu.
 - Vérifiez si l'interrupteur à gâchette (7) est en position « hors tension » et si la bande de ponçage est correctement posée avant de brancher la machine sur l'alimentation électrique.
1. Branchez la ponceuse sur l'alimentation.
 2. Soulevez la ponceuse de la surface de travail et allumez-la. Laissez la ponceuse atteindre sa pleine vitesse de fonctionnement.
 3. En tenant fermement la machine, abaissez la ponceuse sur la surface de travail. Pour éviter tout dégât inutile de la surface de travail, faites un essai de ponçage dans le sens du grain (en maintenant la direction de mouvement de la bande de ponçage parallèlement au grain naturel du bois).
 4. Déplacez lentement la ponceuse sur la surface à poncer jusqu'à ce que la quantité de matière voulue en soit retirée.
 5. Soulevez toujours la ponceuse de la surface à travailler avant d'arrêter le moteur.
 6. Assurez-vous que le moteur soit complètement arrêté avant de déposer la machine.
 7. Débranchez toujours la machine de l'alimentation avant de la laisser sans surveillance.

Utilisation sur établi

- La ponceuse peut être inversée pour une utilisation sur établi lorsqu'elle est utilisée avec l'adaptateur d'inversion (14) et les pinces d'inversions (13).
1. Placez la ponceuse sur une surface plane et sûre, un établi par exemple.
 2. Centrez l'adaptateur d'inversion sur la poignée avant (1) et tournez la ponceuse dessus dessous de manière à ce qu'elle repose sur l'adaptateur d'inversion.
 3. Fixez la ponceuse sur la surface de l'établi en plaçant les pinces d'inversion dans les trous de fixation de la ponceuse, tout en positionnant les patins en plastique sous la surface de la table.
 4. Vissez les écrous papillons sur les pinces d'inversion pour maintenir la ponceuse sur la surface.

Vider le sac à poussières

ATTENTION : Éteignez et débranchez toujours l'appareil de sa source d'alimentation avant de désinstaller un système d'extraction de la poussière.

1. Pour enlever le sac à poussière (12), tirez le sac pas l'encolure hors du port d'extraction de la poussière(4).
 2. Ouvrez le sac à poussière et réinstallez-le (Voir « Pose du sac à poussières »).
- Remarque :** Si la poussière du ponçage contient des substances nocives, comme des particules de vieilles peintures, vernis, enduits, etc., recyclez ces substances conformément aux réglementations et lois en vigueur.

ATTENTION : Pour un ponçage plus efficace, videz le sac à poussière avant qu'il ne soit à moitié plein.

Accessoires

De nombreux accessoires parmi lesquels figurent des bandes abrasives Grain 40 de 75 x 533 mm, des bandes abrasives Grain 120 de 75 x 533 mm et une gomme de nettoyage pour bande abrasive, sont disponibles auprès de votre revendeur Silverline. Des pièces de rechange peuvent également être commandées sur toolsparsonline.com

Entretien

⚠ ATTENTION : Débranchez TOUJOURS l'appareil avant d'effectuer une inspection, l'entretien ou le nettoyage.

Remplacer la courroie

- Si la courroie doit être remplacée :
1. Placez la ponceuse sur le côté, le capot d'accès à la courroie (5) vers le haut.
 2. Enlevez les deux vis maintenant le capot d'accès à la courroie et enlevez le capot pour accéder à la courroie et aux engrenages.
 3. Enlevez l'ancienne courroie et installez la nouvelle en la faisant passer autour de la roue la plus grande puis la plus petite. Assurez-vous que les dents sont bien dans les créneaux.

Inspection générale

- Vérifiez régulièrement que les vis de fixation sont bien serrées
- Vérifiez l'état du câble d'alimentation avant chaque utilisation et vérifiez qu'il n'est pas usé ou endommagé. Toute réparation doit être effectuée dans un centre technique Silverline agréé. Ce conseil vaut pour les rallonges utilisées avec cet outil.

Nettoyage

- Veillez à garder cet outil propre en permanence. La saleté et la poussière peuvent entraîner l'usure prématurée des parties internes et raccourcir la durée de vie de l'appareil. Nettoyer l'appareil à l'aide d'une brosse douce ou d'un chiffon sec. Si possible, utilisez de l'air propre et sec sous pression sur les orifices de ventilation.
- Nettoyez à l'aide d'un chiffon humide et un détergeant doux. N'utilisez ni alcool, essence ou de détergent fort.
- N'utilisez jamais d'agent caustique pour nettoyer des pièces en plastique

Lubrification

- Lubrifiez régulièrement les parties mobiles avec un vaporisateur de lubrifiant adéquat.

Balais de charbon

- Avec le temps, les balais de charbon du moteur s'usent.
- Si les balais sont excessivement usés, le rendement du moteur peut diminuer, la machine peut ne pas démarrer ou une quantité anormale d'étincelles peut être observée.
- Si vous soupçonnez une usure des balais, faites-les remplacer dans un centre d'entretien agréé Silverline.

Rangement

Ranger cet outil dans un endroit sûr, sec et hors portée des enfants.

Recyclage

Lorsque l'appareil n'est plus en état de fonctionner et qu'il n'est pas réparable, recyclez l'appareil conformément aux réglementations nationales.

- Ne jetez pas les outils électriques, batteries et autres équipements électriques ou électroniques (DEEE) avec les ordures ménagères.
- Contactez les autorités locales compétentes en matière de gestion des déchets pour vous informer de la procédure à suivre pour recycler les outils électriques.

En cas de problème

Problème	Cause possible	Solution
Rien ne se passe lorsque l'interrupteur à gâchette (7) est actionné.	Pas d'alimentation	Vérifiez l'alimentation
	Interrupteur à gâchette défectueux	Faites remplacer l'interrupteur dans un centre d'entretien Silverline agréé.
La ponceuse dévie lors de l'utilisation.	Bande abrasive mal centrée	Alignez la bande grâce au bouton de centrage de la bande (1). Si le problème persiste réinstallez la bande en suivant le paragraphe "pose d'une bande de ponçage".
	Bande abrasive lâche	Assurez-vous que le levier de relâchement de la bande (10) est bien serré. Si le problème persiste réinstallez la bande en suivant le paragraphe "pose d'une bande de ponçage".
Grincement ou perte de puissance intermittente lors du ponçage.	Courroie de distribution usée	Remplacez la courroie comme indiquée dans le paragraphe « Remplacer la courroie ».
La ponceuse reste en marche même lors que l'interrupteur à gâchette est relâché.	Le bouton de marche continue (2) est activé	Pour arrêter la machine, appuyez sur la gâchette puis relâchez-la de nouveau.

Garantie des outils Silverline

Ce produit Silverline bénéficie d'une garantie de 3 ans

Enregistrez ce produit sur le site silverlinetools.com dans les 30 jours suivant l'achat afin de bénéficier de la garantie de 3 ans. La période de garantie commence à partir de la date d'achat figurant sur votre facture.

Enregistrement de votre achat

Rendez-vous sur silverlinetools.com, sélectionnez le bouton d'enregistrement et saisissez :

- Vos informations personnelles
 - Les informations concernant le produit et l'achat
- Vous recevrez le certificat de garantie en format PDF. Veuillez l'imprimer et le conserver avec votre article.

Conditions générales

La période de garantie prend effet à compter de la date de l'achat en magasin indiquée sur votre facture.

VEUILLEZ CONSERVER VOTRE PREUVE D'ACHAT.

Si ce produit est défectueux pendant les 30 jours qui suivent l'achat, retournez-le au magasin où vous l'avez acheté, avec votre facture, en expliquant en détail le problème. Le produit sera remplacé ou vous serez remboursé(e).

Si ce produit est défectueux après cette période de 30 jours, retournez-le à :

Silverline Tools Service

Centre PO Box 2988

Yeovil

BA21 1WJ, Royaume Uni

Toute demande de service sous garantie doit être soumise pendant la période de garantie.

Avant toute intervention sous garantie, vous devez présenter la facture originale sur laquelle doivent figurer la date d'achat, votre nom, votre adresse et le lieu d'achat.

Vous devez expliquer en détail la défaillance nécessitant réparation.

Les demandes de service sous garantie faites pendant la période de garantie seront vérifiées par Silverline Tools pour établir si la défaillance du produit est liée à un vice de matériau ou de fabrication.

Les frais de port ne seront pas remboursés. Les articles retournés doivent être convenablement propres et sûrs pour être réparés et devaient être emballés soigneusement pour éviter tout dommage ou toute blessure pendant le transport. Nous pouvons refuser les livraisons qui ne sont pas convenables ou sûres.

Toute intervention sera effectuée par Silverline Tools ou ses agents de réparation agréés.

La réparation ou le remplacement du produit ne dépassera pas la période de garantie.

Les anomalies que nous reconnaissons être couvertes par la garantie seront rectifiées par la réparation de l'outil, sans frais (hormis les frais de port) ou par son remplacement par un outil en parfait état de fonctionnement.

Les pièces ou les outils remplacés deviendront la propriété de Silverline Tools.

La réparation ou le remplacement de votre produit sous garantie vous apporte des avantages ; ces avantages s'ajoutent à vos droits statutaires en tant que consommateur sans les affecter aucunement.

La présente garantie couvre :

La réparation du produit, s'il peut être vérifié, à la satisfaction de Silverline Tools, que les défaillances du produit ont été provoquées par un vice de matériau ou de fabrication au cours de la période de garantie.

Si une pièce n'est plus disponible ou n'est plus fabriquée, Silverline Tools la remplacera par une pièce de rechange opérationnelle.

Utilisation de ce produit dans l'UE.

La présente garantie ne couvre pas :

Silverline Tools ne garantit pas les réparations nécessaires du produit engendrées par :

L'usure normale provoquée par l'utilisation conforme aux instructions d'utilisation, par exemple des lames, des balais de charbon, des courroies, des ampoules, des batteries, etc.

Le remplacement de tout accessoire fourni tel que les forêts, les lames, les feuilles abrasives, les outils de coupes et les autres articles associés.

Les dommages et les défaillances accidentels causés par une utilisation ou un entretien négligent, une mauvaise utilisation, un manque d'entretien ou une utilisation ou une manipulation imprudente du produit.

L'utilisation du produit à des fins autres que son utilisation domestique normale.

Le moindre changement ou la moindre modification du produit.

L'utilisation de pièces et d'accessoires qui ne sont pas des composants véritables de Silverline Tools.

Une installation défectueuse (sauf si l'installation a été réalisée par Silverline Tools).

Les réparations ou les modifications réalisées par des tiers autres que Silverline Tools ou ses agents de réparation agréés.

Les demandes de service autres que le droit de rectifier les défaillances de l'outil indiquées dans ces conditions de garantie ne sont pas couvertes par cette garantie.

Einführung

Vielen Dank, dass Sie sich für dieses Silverline-Werkzeug entschieden haben. Diese Anleitung enthält wichtige Informationen für das sichere und effektive Arbeiten mit diesem Produkt. Selbst wenn Sie bereits mit ähnlichen Produkten vertraut sind, lesen Sie diese Anleitung bitte sorgfältig durch, um den größtmöglichen Nutzen aus diesem Werkzeug ziehen zu können. Bewahren Sie diese Anleitung griffbereit auf und sorgen Sie dafür, dass alle Benutzer dieses Geräts sie gelesen und verstanden haben.

Symbolerklärung

Auf dem Typenschild des Werkzeugs sind möglicherweise Symbole abgebildet. Sie vermitteln wichtige Informationen über das Produkt oder dienen als Gebrauchsanweisung.



Gehörschutz tragen
Augenschutz tragen
Atemschutz tragen
Kopfschutz tragen



Schutzhandschuhe tragen



Bedienungsanleitung sorgfältig lesen



Schutzklasse II (doppelt isoliert)



Achtung, Gefahr!



Erfüllt die entsprechenden rechtlichen Vorschriften und Sicherheitsnormen



Umweltschutz
Elektroaltgeräte dürfen nicht über den Haushaltsmüll entsorgt werden. Nach Möglichkeit bitte über entsprechende Einrichtungen entsorgen. Lassen Sie sich bezüglich der sachgemäßen Entsorgung von Elektrowerkzeugen von der zuständigen Behörde oder dem Händler beraten.

Abkürzungsverzeichnis

V	Volt
~, AC	Wechselstrom
A	Ampere
n	Nennrehzahl
Hz	Hertz
W, kW	Watt, kilowatt
/min or min ⁻¹	(Umdrehungen) pro Minute

Technische Daten

Spannung:	230 V~, 50 Hz
Leistung:	810 W
Leerlaufdrehzahl:	250 m/min
Bandabmessungen (L x B):	533 x 76 mm
Netzkabellänge:	1,8 m
Schutzklasse:	II
Schutzart:	IP X0
Gewicht:	2,9 kg

Aufgrund der fortlaufenden Weiterentwicklung unserer Produkte können sich die technischen Daten von Silverline-Produkten ohne vorherige Ankündigung ändern.

Geräusch- und Vibrationsinformationen :

Schalldruckpegel L_{A2} :	101,4 dB(A)
Schallleistungspegel L_{WA2} :	90,4 dB(A)
Unsicherheit K:	3 dB
Hand-Arm-Vibration a_h (Hauptgriff):	1,890 m/s^2
Unsicherheit K:	1,5 m/s^2

Der Schallintensitätspegel kann für den Bediener 85 dB(A) übersteigen und Lärmschutzmaßnahmen sind notwendig.

WARNING! Tragen Sie in Bereichen, in denen der Lärmpegel 85 dB(A) überschreitet, unbedingt angemessenen Gehörschutz und begrenzen Sie nach Möglichkeit die Belastungsdauer. Sollte trotz Gehörschutz Unbehagen irgendeiner Art auftreten, beenden Sie die Arbeit unverzüglich und überprüfen Sie den Gehörschutz auf korrekten Sitz und Funktion und stellen Sie sicher, dass dieser einen angemessenen Schutz für den Lärmpegel bietet, der von den verwendeten Werkzeugen ausgeht.

WARNING! Bei der Benutzung mancher Werkzeuge wird der Benutzer Vibrationen ausgesetzt, welche zum Verlust des Tastsinns, zu Taubheitsgefühl, Krabbeln und zu einer Verminderung der Handgreifkraft führen können. Langfristige Belastung kann zu chronischen Beschwerden führen. Begrenzen Sie, falls nötig, die Exposition zu Vibrationen und tragen Sie vibrationsmindernde Handschuhe. Verwenden Sie dieses Werkzeug nicht mit kalten Händen, da Vibrationen bei Temperaturen unter dem individuellen Komfortbereich eine stärkere Wirkung zeigen. Beurteilen Sie die Vibrationsbelastung unter Zuhilfenahme der Technischen Daten des jeweiligen Werkzeuges und bestimmen Sie die zulässige Belastungsdauer und -häufigkeit.

Die in den Technischen Daten angegebenen Geräusch- und Vibrationsinformationen werden nach internationalen Standards bestimmt. Die angegebenen Werte beziehen sich auf eine normale Benutzung des Werkzeuges unter normalen Arbeitsbedingungen. Schlecht gewartete, inkorrekt montierte und unsachgemäß verwendete Werkzeuge können erhöhte Schallpegel und Vibrationswerte aufweisen. Weitere Informationen zur EU-Vibrationsrichtlinie und zu Schall- sowie Vibrationsbelastungen, die auch für Heimanwender relevant sein können, finden Sie auf den Seiten der Europäischen Agentur für Sicherheit und Gesundheitsschutz am Arbeitsplatz:

www.osha.europa.eu.

Allgemeine Sicherheitshinweise

WARNUNG! Lesen Sie alle Sicherheitshinweise und Anweisungen. Versäumnisse bei der Einhaltung der Sicherheitshinweise und Anweisungen können elektrischen Schlag, Brand und/oder schwere Verletzungen verursachen.

WARNUNG! Dieses Gerät darf nicht von Personen (wie z.B. Kindern) mit eingeschränkter körperlicher oder geistiger Fähigkeiten oder von Personen ohne Erfahrung im Umgang mit einem solchen Gerät betrieben werden, außer wenn es von einer für Ihre persönliche Sicherheit verantwortlichen Person in der Benutzung unterwiesen worden sind und dabei beaufsichtigt werden. Kinder müssen beaufsichtigt werden, um sicherzustellen, dass sie das Gerät nicht als Spielzeug verwenden.

Bewahren Sie alle Sicherheitshinweise und Anweisungen für die Zukunft auf.

Der in den Sicherheitshinweisen verwendete Begriff „Elektrowerkzeug“ bezieht sich auf netzbetriebene Elektrowerkzeuge (mit Netzkabel) und auf akkubetriebene Elektrowerkzeuge (ohne Netzkabel).

1) Arbeitsplatzsicherheit

- a) Halten Sie Ihren Arbeitsbereich sauber und gut beleuchtet. Unordnung oder unbeleuchtete Arbeitsbereiche können zu Unfällen führen.
- b) Arbeiten Sie mit dem Elektrowerkzeug nicht in explosionsgefährdeter Umgebung, in der sich brennbare Flüssigkeiten, Gase oder Staub befinden. Elektrowerkzeuge erzeugen Funken, die den Staub oder die Dämpfe entzünden können.
- c) Halten Sie Kinder und andere Personen während der Benutzung des Elektrowerkzeuges fern. Bei Ablenkung können Sie die Kontrolle über das Gerät verlieren.

2) Elektrische Sicherheit

- a) Der Anschlussstecker des Elektrowerkzeuges muss in die Steckdose passen. Der Stecker darf in keiner Weise verändert werden. Verwenden Sie keine Adapterstecker gemeinsam mit schutzgeerdeten Elektrowerkzeugen. Unveränderte Stecker und passende Steckdosen verringern das Risiko eines elektrischen Schlags.
- b) Vermeiden Sie Körperkontakt mit geerdeten Oberflächen wie von Rohren, Heizungen, Herden und Kühlschränken. Es besteht ein erhöhtes Risiko durch elektrischen Schlag, wenn Ihr Körper geerdet ist.
- c) Halten Sie Elektrowerkzeuge von Regen oder Nässe fern. Das Eindringen von Wasser in ein Elektrowerkzeug erhöht das Risiko eines elektrischen Schlags.
- d) Zweckenfremden Sie das Kabel nicht, um das Elektrowerkzeug zu tragen, aufzuhängen oder um den Stecker aus der Steckdose zu ziehen. Halten Sie das Kabel fern von Hitze, Öl, scharfen Kanten oder sich bewegenden Geräteteilen. Beschädigte oder verwickelte Kabel erhöhen das Risiko eines elektrischen Schlags.
- e) Wenn Sie mit einem Elektrowerkzeug im Freien arbeiten, verwenden Sie nur Verlängerungskabel, die auch für den Außenbereich geeignet sind. Die Anwendung eines für den Außenbereich geeigneten Verlängerungskabels verringert das Risiko eines elektrischen Schlags.
- f) Wenn der Betrieb des Elektrowerkzeuges in feuchter Umgebung nicht vermeidbar ist, verwenden Sie einen Fehlerstromschutzschalter. Der Einsatz eines Fehlerstromschutzschalters vermindert das Risiko eines elektrischen Schlags.

3) Sicherheit von Personen

- a) Seien Sie aufmerksam, achten Sie darauf, was Sie tun, und gehen Sie mit Vernunft an die Arbeit mit einem Elektrowerkzeug. Benutzen Sie kein Elektrowerkzeug, wenn Sie müde sind oder unter dem Einfluss von Drogen, Alkohol oder Medikamenten stehen. Ein Moment der Unachtsamkeit beim Gebrauch des Elektrowerkzeuges kann zu ernsthaften Verletzungen führen.
- b) Tragen Sie persönliche Schutzausrüstung und immer eine Schutzbrille. Das Tragen persönlicher Schutzausrüstung, wie Staubmaske, rutschfeste Sicherheitsschuhe, Schutzhelm oder Gehörschutz, je nach Art und Einsatz des Elektrowerkzeuges, verringert das Risiko von Verletzungen.
- c) Vermeiden Sie eine unbeabsichtigte Inbetriebnahme. Vergewissern Sie sich, dass das Elektrowerkzeug ausgeschaltet ist, bevor Sie es an die Stromversorgung und/oder den Akku anschließen, es aufnehmen oder tragen. Wenn Sie beim Tragen des Elektrowerkzeuges den Finger am Schalter haben oder das Gerät eingeschaltet an die Stromversorgung anschließen, kann dies zu Unfällen führen.
- d) Entfernen Sie Einstellwerkzeuge oder Schraubenschlüssel, bevor Sie das Elektrowerkzeug einschalten. Ein Werkzeug oder Schlüssel, der sich in einem drehenden Geräteteil befindet, kann zu Verletzungen führen.
- e) Vermeiden Sie eine unnatürliche Körperhaltung. Sorgen Sie für einen sicheren Stand und halten Sie jederzeit das Gleichgewicht. Auf diese Weise lässt sich das Elektrowerkzeug in unerwarteten Situationen besser kontrollieren.
- f) Tragen Sie geeignete Kleidung. Tragen Sie keine weite Kleidung oder Schmuck. Halten Sie Haare, Kleidung und Handschuhe fern von sich bewegenden Teilen. Lockere Kleidung, Schmuck oder lange Haare können von sich bewegenden Teilen erfasst werden.
- g) Wenn Staubabsaug- und auffangeinrichtungen montiert werden können, vergewissern Sie sich, dass diese angeschlossen sind und richtig verwendet werden. Verwendung einer Staubabsaugung kann Gefährdungen durch Staub verringern.
- 4) Verwendung und Behandlung des Elektrowerkzeuges
- a) Überlasten Sie das Gerät nicht. Verwenden Sie für Ihre Arbeit das dafür bestimmte Elektrowerkzeug. Mit dem passenden Elektrowerkzeug arbeiten Sie besser und sicherer im angegebenen Leistungsbereich.

- b) Benutzen Sie kein Elektrowerkzeug, dessen Schalter defekt ist. Ein Elektrowerkzeug, das sich nicht mehr ein- oder ausschalten lässt, ist gefährlich und muss repariert werden.
- c) Ziehen Sie den Stecker aus der Steckdose und/oder entfernen Sie den Akku, bevor Sie Geräteeinstellungen vornehmen, Zubehöreile wechseln oder das Gerät weglegen. Diese Vorsichtsmaßnahme verhindert den unbeabsichtigten Start des Elektrowerkzeuges.
- d) Bewahren Sie unbenutzte Elektrowerkzeuge außerhalb der Reichweite von Kindern auf. Lassen Sie Personen das Gerät nicht benutzen, die mit diesem nicht vertraut sind oder diese Anweisungen nicht gelesen haben. Elektrowerkzeuge sind gefährlich, wenn sie von unerfahrenen Personen benutzt werden.
- e) Pflegen Sie Elektrowerkzeuge mit Sorgfalt. Kontrollieren Sie, ob bewegliche Teile einwandfrei funktionieren und nicht klemmen, ob Teile gebrochen oder so beschädigt sind, dass die Funktion des Elektrowerkzeuges beeinträchtigt ist. Lassen Sie beschädigte Teile vor dem Einsatz des Gerätes reparieren. Viele Unfälle haben ihre Ursache in schlecht gewarteten Elektrowerkzeugen.
- f) Halten Sie Schneidwerkzeuge scharf und sauber. Sorgfältig gepflegte Schneidwerkzeuge mit scharfen Schneidkanten verkleben sich weniger und sind leichter zu führen.
- g) Verwenden Sie Elektrowerkzeug, Zubehör, Einsatzwerkzeuge usw. entsprechend diesen Anweisungen. Berücksichtigen Sie dabei die Arbeitsbedingungen und die ausführende Tätigkeit. Der Gebrauch von Elektrowerkzeugen für andere als die vorgesehenen Anwendungen kann zu gefährlichen Situationen führen.
- 5) Service
- a) Lassen Sie Ihr Elektrowerkzeug nur von qualifiziertem Fachpersonal und nur mit Original-Ersatzteilen reparieren. Damit wird sichergestellt, dass die Sicherheit des Elektrowerkzeuges erhalten bleibt.

Zusätzliche Sicherheitshinweise für Schleifgeräte

WARNUNG! Halten Sie das Elektrowerkzeug nur an den isolierten Handgriffen bzw. Griffflächen, dann das Schleifband/-blatt könnte mit dem Netzkabel in Kontakt kommen. Wird eine spannungsführende Leitung beschädigt, können dadurch freilegende Metallteile des Elektrowerkzeuges unter Spannung gesetzt werden und dem Bediener einen Stromschlag versetzen.

WARNUNG! Setzen Sie Schraubzwinge(n) o.ä. ein, um das Werkstück an einer stabilen Arbeitsfläche zu fixieren. Wird das Werkstück mit der Hand oder gegen den Körper gehalten, ist es nicht stabil genug und es kann zu einem Verlust der Kontrolle über das Gerät kommen.

- a) Tragen Sie stets geeignete persönliche Schutzausrüstung einschließlich Staubmaske (mindestens Schutzklasse FFP-2), Schutzbrille und Gehörschutz.
- b) Sorgen Sie dafür, dass alle in der Nähe des Arbeitsbereiches befindliche Personen ebenfalls geeignete persönliche Schutzausrüstung tragen.
- c) Seien Sie besonders vorsichtig beim Schleifen von Hölzern, die Giftstoffe erzeugen (z.B. Buche, Eiche, Mahagoni und Teak), da hierdurch bei einigen Personen starke Reaktionen hervorgerufen werden.
- d) Bearbeiten Sie niemals Asbest enthaltene Materialien. Falls Sie sich nicht sicher sind, ob ein Objekt Asbest enthält, ziehen Sie einen Fachmann hinzu.
- e) Schleifen Sie kein Magnesium oder Legierungen, die einen hohen Magnesiumanteil enthalten.
- f) Seien Sie beim Schleifen von Werkstoffen mit bemalten/behandelten Oberflächen vorsichtig. Beim Schleifen von behandelten Oberflächen kann giftiger oder anderweitig schädlicher Staub entstehen Wenn Sie an einem Gebäude arbeiten, das vor 1960 gebaut wurde, ist die Wahrscheinlichkeit hoch, dass Sie bleihaltige Farbanstriche vorfinden.
- g) Der Staub, der beim Schleifen von bleihaltigen Farbanstrichen entsteht, ist besonders für Kinder, Schwangere und Menschen mit hohem Blutdruck gefährlich. Erlauben Sie diesen Personen nicht, sich in der Nähe des Arbeitsbereichs aufzuhalten, auch wenn diese geeignete persönliche Schutzausrüstung tragen.
- h) Setzen Sie zur Bekämpfung von Staub und Abfallstoffen nach Möglichkeit immer ein Staubabsaugsystem ein.
- i) Lassen Sie besondere Vorsicht walten, wenn Sie eine Maschine sowohl zum Schleifen von Holz als auch von Metall verwenden. Funken von der Metallbearbeitung können den Holzstaub leicht entzünden. Reinigen Sie das Gerät stets gründlich, um die Brandgefahr zu verringern.
- j) Entleeren Sie den Staubfangbeutel/-behälter (falls vorhanden) während des Gebrauchs regelmäßig, d.h. vor dem Einlegen von Pausen und nach Abschluss der Schleifanwendung. Staub stellt eine Explosionsgefahr dar. Schützen Sie Schleifstaub daher nicht ins offene Feuer. Wenn Öl- oder Wassertropfen mit Staubteilchen in Berührung gelangen, kann es zu Selbstentzündung kommen. Entsorgen Sie Abfallstoffe sorgfältig und vorschriftsmäßig entsprechend der örtlich geltenden Gesetze und Bestimmungen.
- k) Arbeitsflächen und Schleifblätter können während der Arbeit sehr heiß werden. Wenn Anzeichen von Verbrennung (Rauch oder Asche) auf der Arbeitsfläche zu erkennen sind, stellen Sie die Arbeit ein und lassen Sie das Werkstück abkühlen. Berühren Sie die Arbeitsfläche und das Schleifblatt nicht, bevor beide abkühlen konnten.
- l) Das laufende Schleifband nicht berühren.
- m) Die Schleifmaschine vor dem Ablegen immer ausschalten.
- n) Das Gerät nicht zum Nassschleifen verwenden. Flüssigkeiten, die in das Motorgehäuse eindringen, können schwere Stromschläge verursachen
- o) Trennen Sie die Schleifmaschine immer vom Netzanschluss, bevor Sie Schleifpapier wechseln oder ersetzen.

- p) Auch wenn dieses Gerät wie vorgeschrieben verwendet wird, ist es nicht möglich, sämtliche Restrisiken auszuschließen. Sollten Sie sich in irgendeiner Weise unsicher bezüglich der sachgemäßen und sicheren Benutzung dieses Werkzeugs sein, verwenden Sie es nicht.

Geräteübersicht

1	Hauptgriff
2	Einschaltarretierung
3	Zusatzgriff
4	Absauganschluss
5	Antriebsrollengehäuse
6	Bandlaufjustierung
7	Ein-/Ausschalter
8	Frontrolle
9	Basis
10	Bandspannhebel
11	Rahmenschlitz
12	Staubfangbeutel
13	Stationärzwingen
14	Stationäradapter

Zubehör (nicht abgebildet)

- 1 x Schleifband (Körnung 100)

Bestimmungsgemäße Verwendung

Bandschleifer für leichte bis mittlere Anwendungen mit hoher Abtragsrate. Zur Bearbeitung von Hart- und Weichholz sowie ähnlichen Materialien.

Auspacken des Gerätes

- Packen Sie Ihr Gerät vorsichtig aus und überprüfen Sie es. Machen Sie sich vollständig mit allen seinen Eigenschaften und Funktionen vertraut.
- Vergewissern Sie sich, dass sämtliche Teile des Gerätes vorhanden und in einwandfreiem Zustand sind. Sollten Teile fehlen oder beschädigt sein, lassen Sie diese ersetzen, bevor Sie das Gerät verwenden.

Vor Inbetriebnahme

⚠️ WARNUNG! Trennen Sie das Gerät stets vom Stromnetz, bevor Sie Zubehörwechsel oder Einstellungsänderungen vornehmen.

Schleifband einspannen

1. Legen Sie den Schleifer umgekehrt auf die Werkbank oder eine andere feste, ebene Fläche.
2. Ziehen Sie den Bandspannhebel (10) heraus. Damit wird die Frontrolle (8) eingezogen und das Schleifband gelockert. Das abgenutzte Band kann jetzt entfernt werden.
3. Ziehen Sie das neue Schleifband so auf, dass es auf den Rollen zentriert ist.
4. Schließen Sie den Bandspannhebel. Das Band muss jetzt angespannt und gesichert sein.
5. Nach dem Anbringen muss die Frontrolle möglicherweise über die Bandlaufjustierung (6) angepasst werden, damit das Schleifband ordnungsgemäß aufläuft.
6. Lassen Sie den Schleifer vorerst umgekehrt auf der Werkbank liegen und schließen Sie ihn ans Stromnetz an.
7. Halten Sie den Schleifer gut am Zusatzgriff (3) fest und betätigen Sie den Ein-/Ausschalter (7). Achten Sie dabei darauf, ob das Schleifband seitliche Bewegungen ausführt.
8. Drehen Sie bei Bedarf die Bandlaufjustierung im Uhrzeigersinn, um das Band nach links zu verschieben, bzw. gegen den Uhrzeigersinn, um das Band nach rechts zu korrigieren, bis es exakt sitzt.
9. Schalten Sie den Schleifer danach wieder aus.

Staubfangbeutel anschließen

- Stecken Sie den Staubfangbeutel (12) auf den Absauganschluss (4) auf.
- Um einen effizienten Staubabzug zu gewährleisten, darf der Staubfangbeutel höchstens zu zwei Dritteln gefüllt werden.

Betrieb

⚠️ WARNUNG! Tragen Sie bei der Arbeit mit diesem Gerät stets einen Augenschutz, ausreichenden Atem- und Gehörschutz und entsprechend geeignete Schutzhandschuhe.

Ein- und Ausschalten

- Drücken Sie zum Einschalten des Bandschleifers den Ein-/Ausschalter (7). Geben Sie den Schalter wieder frei, um den Schleifer anzuhalten.
- Für den Dauerbetrieb lässt sich der Ein-/Ausschalter über die Einschaltarretierung (2) arretieren:
 1. Halten Sie den Ein-/Ausschalter gedrückt und betätigen Sie die Einschaltarretierung (2). Das Gerät läuft nun auch weiter, wenn der Ein-/Ausschalter freigegeben wird.
 2. Drücken Sie zum Anhalten des Gerätes erneut den Ein-/Ausschalter.

Schleifen

- Stellen Sie vor dem Schleifen sicher, dass das Werkstück ausreichend gesichert ist. Verwenden Sie bei Bedarf Schraubzwingen und halten Sie immer beide Hände an der Maschine.
- Beginnen Sie stets mit einem grobkörnigen Schleifband und arbeiten Sie sich zu den feineren Körnungen vor, bis die gewünschte Oberflächengüte erzielt ist.
- Vergewissern Sie sich vor dem Anschluss des Gerätes ans Stromnetz, dass der Ein-/Ausschalter (7) auf „Aus“ steht und das Schleifband ordnungsgemäß sitzt.
 1. Schließen Sie den Bandschleifer an das Stromnetz an.
 2. Heben Sie den Bandschleifer vom Werkstück ab und schalten Sie ihn ein. Warten Sie, bis das Gerät seine volle Betriebsdrehzahl erreicht hat.
 3. Halten Sie den Bandschleifer gut fest und senken Sie ihn auf das Werkstück ab. Um unnötige Schäden auf der Werkstückoberfläche zu vermeiden, schleifen Sie in Faserrichtung, d.h. die Bewegungsrichtung des Schleifbandes sollte stets parallel zur natürlichen Faserichtung des Holzes verlaufen.
 4. Bewegen Sie den Bandschleifer langsam über die zu schleifende Oberfläche, bis der gewünschte Materialabtrag erreicht ist.
 5. Heben Sie den Bandschleifer stets von der Werkstückoberfläche ab, bevor Sie den Motor anhalten.
 6. Achten Sie darauf, dass der Motor zum völligen Stillstand gekommen ist, bevor Sie den Schleifer ablegen.
 7. Nehmen Sie das Gerät stets vom Stromnetz, bevor Sie es unbeaufsichtigt lassen.

Werkbankmontage des Bandschleifers

- Zur stationären Verwendung lässt sich der Schleifer mithilfe des Stationäradapters (14) und der Stationärzwingen (13) umgekehrt auf der Werkbank einspannen.
 1. Setzen Sie das Gerät auf eine feste, flache Oberfläche, beispielsweise eine Werkbank.
 2. Zentrieren Sie den Stationäradapter auf dem Hauptgriff (1) und drehen Sie den Schleifer um, so dass er auf dem Stationäradapter ruht (siehe Abb. A).
 3. Fixieren Sie den Schleifer an der Arbeitsfläche, indem Sie die Stationärzwingen in die Montagebohrungen des Schleifers führen und zugleich die Kunststoffhalterungen unter der Tischplatte positionieren (siehe Abb. B).
 4. Ziehen Sie die Flügelmutter an den Stationärzwingen an, um die Schleifmaschine sicher an der Arbeitsfläche zu befestigen.

Staubfangbeutel leeren

⚠️ WARNUNG! Schalten Sie das Gerät stets ab und trennen Sie es vom Stromnetz, bevor Sie es von der Staubsauganlage nehmen.

1. Entfernen Sie den Staubfangbeutel (12), indem Sie ihn am Anschlussstutzen halten und den Beutel vom Absauganschluss (4) abziehen.
2. Öffnen Sie den Beutel, entleeren Sie ihn und bringen Sie ihn erneut an (siehe „Staubfangbeutel anschließen“).

Hinweis: Wenn der Schleifstaub schädliche Substanzen enthält, z. B. Partikel aus alten Anstrichen, Lack, Oberflächenbeschichtungen usw., entsorgen Sie ihn immer entsprechend den geltenden örtlichen Bestimmungen.

⚠️ WARNUNG! Um eine optimale Staubsaugung zu gewährleisten, darf der Staubfangbeutel nur zu höchstens zwei Dritteln gefüllt sein, bevor er geleert wird.

Zubehör

- Eine Reihe an Zubehör und Verbrauchsmaterialien, z. B. Schleifbänder in Körnung 40 (75 x 533 mm) oder in Körnung 120 (75 x 533 mm) sowie ein Schleifband-Reinigungsblock, können über Ihren Silverline-Fachhändler bezogen werden. Ersatzteile sind unter toolspareonline.com erhältlich.

Wartung und Pflege

⚠️ WARNUNG! Trennen Sie das Gerät stets vom Stromnetz, bevor Sie Inspektions-, Wartungs- oder Reinigungsarbeiten durchführen.

Antriebsriemen wechseln

- Im Lieferumfang dieses Gerätes ist ein Ersatzantriebsriemen enthalten. Gehen Sie zum Wechseln des Antriebsriemens wie folgt vor:
 1. Legen Sie den Schleifer auf die Seite; das Antriebsrollengehäuse (5) muss dabei nach oben weisen.
 2. Entfernen Sie die beiden Halteschrauben am Antriebsrollengehäuse und nehmen Sie die Abdeckung ab, so dass Sie Zugriff auf den Antriebsriemen und das Getriebe haben.
 3. Nehmen Sie den alten Antriebsriemen ab und ziehen Sie den neuen Riemen auf, indem Sie ihn zunächst um das größere und dann das kleinere Zahnrad legen. Achten Sie dabei darauf, dass die Zähne in die Rillen an den Rädern eingreifen.

Allgemeine Inspektion

- Überprüfen Sie alle Befestigungsschrauben in regelmäßigen Abständen auf festen Sitz.
- Kontrollieren Sie das Netzkabel des Gerätes vor jedem Gebrauch auf Schäden und Verschleiß. Reparaturen müssen durch eine zugelassene Silverline-Reparaturwerkstatt erfolgen. Dies gilt auch für mit dem Gerät verwendete Verlängerungskabel.

Reinigung

- Halten Sie Ihr Gerät stets sauber. Durch Staub und Schmutz verschleiben die inneren Teile schnell und die Lebensdauer des Gerätes wird verkürzt. Säubern Sie das Gerätegehäuse mit einer weichen Bürste oder einem trockenen Tuch. Die Entlüftungsöffnungen gegebenenfalls mit sauberer, trockener Druckluft reinigen, sofern verfügbar.
- Säubern Sie das Gerätegehäuse mit einem feuchten, weichen Lappen und einem milden Reinigungsmittel. Verwenden Sie keinesfalls benzin- oder alkoholhaltige oder andere scharfe Reinigungsmittel.
- Reinigen Sie Kunststoffteile niemals mit Ätzmitteln.

Schmierung

- Schmieren Sie alle beweglichen Teile in regelmäßigen Abständen mit einem geeigneten Sprüschmiermittel.

Kohlebürsten

- Mit der Zeit unterliegen die Kohlebürsten des Motors dem Verschleiß.
- Wenn der Verschleiß der Kohlen fortgeschritten ist, kann dadurch die Motorleistung abnehmen, die Maschine kurzzeitig ausfallen oder es kann zu sichtbarer Funkenbildung kommen.
- Lassen Sie die Kohlebürsten bei derartigen Verschleißanzeichen von einem zugelassenen Silverline-Vertragskundendienst ersetzen.

Lagerung

- Gerät an einem sicheren, trockenen Ort außerhalb der Reichweite von Kindern lagern.

Entsorgung

Beachten Sie bei der Entsorgung von defekten und nicht mehr reparablen Elektrowerkzeugen die geltenden Vorschriften und Gesetze.

- Elektrowerkzeuge und andere elektrische und elektronische Altgeräte nicht über den Hausmüll entsorgen.
- Lassen Sie sich von der zuständigen Behörde bezüglich der ordnungsgemäßen Entsorgung von Elektrowerkzeugen beraten.

Fehlerbehebung

Störung	Mögliche Ursache	Empfohlene Abhilfe
Kein Betrieb bei Betätigung des Ein-/Ausschalters (7)	Kein Strom	Stromversorgung überprüfen
	Ein-/Ausschalter defekt	Ein-/Ausschalter von einem zugelassenen Silverline-Kundendienst ersetzen lassen
Schleifmaschine zieht während des Betriebs zur Seite	Schleifband nicht zentriert	Schleifband über die Bandlaufjustierung (6) mittig ausrichten. Falls das Problem weiterhin besteht, Schleifband gemäß „Schleifband aufziehen“ erneut anbringen
	Schleifband gelockert	Überprüfen, dass der Bandspannhebel (10) fest geschlossen ist. Falls das Problem weiterhin besteht, Schleifband gemäß „Schleifband aufziehen“ erneut anbringen
Quietschgeräusche oder vorübergehender Geräteausfall beim Schleifen	Antriebsriemen abgenutzt	Antriebsriemen gemäß „Antriebsriemen wechseln“ ersetzen
Bandschleifer läuft ohne Berührung des Ein-/Ausschalters	Einschaltarretierung (2) aktiviert	Ein-/Ausschalter zum Abschalten des Gerätes kurz drücken und dann freigeben

Silverline-Tools-Garantie

Dieser Silverline-Artikel wird mit einer 3-Jahres-Garantie angeboten

Registrieren Sie diesen Artikel unter silverlinetools.com innerhalb von 30 Tagen nach dem Kauf, um die 3-Jahres-Garantie zu aktivieren.
Der Garantiezeitraum beginnt mit dem Kaufdatum auf Ihrem Kaufbeleg.

Registrierung Ihres Kaufs

Gehen Sie auf silverlinetools.com, klicken Sie auf „Registrierung“ und geben Sie Folgendes ein:

- Ihre persönlichen Angaben
- Produktdetails und Kaufinformationen

Sobald dieser Artikel registriert worden ist, wird Ihre Garantiebescheinigung im PDF-Format erzeugt. Bitte drucken Sie sie aus und bewahren Sie sie zusammen mit Ihrem Produkt auf.

Garantiebedingungen

Der Garantiezeitraum beginnt mit dem Kaufdatum im Einzelhandel, das auf dem Kaufbeleg angegeben ist.

BITTE BEWAHREN SIE DEN KAUFBELEG AUF!

Falls dieser Artikel innerhalb von 30 Tagen nach dem Kauf einen Defekt aufweisen sollte, bringen Sie es bitte mit Ihrem Kaufbeleg zu dem Fachhändler, bei dem es gekauft wurde, und informieren Sie ihn über die Mängel. Das Gerät wird daraufhin ersetzt oder der Kaufpreis zurückerstattet.

Falls dieser Artikel nach Ablauf von 30 Tagen nach dem Kauf einen Mangel aufweist, senden Sie es bitte an:

Silverline Tools Service Centre
PO Box 2988

Yeovil

BA21 1WU, Großbritannien

Der Garantieanspruch muss während der Garantiezeit gestellt werden.

Sie müssen den Originalkaufbeleg mit Angabe des Kaufdatums einreichen und Ihren Namen und Ihre Adresse sowie den Ort des Kaufs angeben, bevor etwaige Arbeiten durchgeführt werden können.

Sie müssen genaue Angaben über den zu behebenden Defekt machen.

Alle innerhalb der Garantiefrist gemachten Forderungen werden von Silverline Tools daraufhin überprüft werden, ob es sich bei den Mängeln um einen Material- oder Fertigungsfehler handelt.

Versandkosten werden nicht zurückerstattet. Alle Artikel sollten sich in sauberem und sicherem Zustand befinden und sorgfältig verpackt zur Reparatur eingeschickt werden, um Schäden oder Verletzungen während des Transports zu vermeiden. Die Annahme unangemessener oder unsicherer Lieferungen kann von uns verweigert werden.

Alle Arbeiten werden von Silverline Tools oder seinen autorisierten Reparaturwerkstätten durchgeführt.

Die Reparatur oder der Ersatz des Artikels führt nicht zur Verlängerung des Garantiezeitraums. Mängel, bei denen unsere Prüfung ergibt, dass sie unter die Garantie fallen, werden durch kostenlose Reparatur des Werkzeugs (ohne Versandkosten) oder Ersatz durch ein Werkzeug in einwandfreiem Zustand behoben.

Einbehaltene Werkzeuge oder Teile, die ersetzt wurden, gehen in den Besitz von Silverline Tools über.

Die Reparatur bzw. der Ersatz Ihres Artikels unter dieser Garantie erfolgt zusätzlich zu Ihren gesetzlichen Rechten als Verbraucher und hat keine nachteiligen Folgen auf diese.

Durch die Garantie abgedeckt ist:

Die Reparatur des Artikels, nachdem zur Zufriedenheit von Silverline Tools nachgewiesen wurde, dass der Defekt durch fehlerhaftes Material oder mangelhafte Arbeitsausführung bedingt ist und in den Garantiezeitraum fällt.

Wenn ein Ersatzteil nicht mehr erhältlich ist oder nicht mehr hergestellt wird, kann Silverline Tools es gegen einen funktionellen Ersatz austauschen.

Verwendung des Artikels innerhalb der EU.

Durch die Garantie nicht abgedeckt ist:

Silverline Tools garantiert keine Reparaturen, die durch Folgendes erforderlich geworden sind:

Normale Verschleißerscheinungen, die trotz Verwendung entsprechend der Bedienungsanleitung entstehen, z.B. an Messern, Bürsten, Riemen, Glühbirnen, Batterien usw.

Ersatz von mitgeliefertem Zubehör wie etwa Bohrspitzen, Klingen, Schleifblättern, Schneidscheiben und anderen zugehörigen Teilen.

Unfallschäden und Fehler, die durch unsachgemäße Verwendung oder Wartung, Missbrauch, Nachlässigkeit oder fahrlässige Bedienung oder Handhabung des Artikels entstanden sind.

Verwendung des Artikels für andere als normale Haushaltszwecke.

Jegliche Veränderungen oder Modifikationen des Artikels.

Die Verwendung von Teilen oder Zubehör, die keine Originalkomponenten von Silverline Tools sind.

Fehlerhafte Montage (außer, wenn von Silverline Tools vorgenommen).

Reparaturen oder Änderungen, die von anderen als Silverline Tools oder seinen autorisierten Reparaturwerkstätten durchgeführt wurden.

Ansprüche, die über die Rechte zur Behebung von Mängeln an dem in diesen Garantiebedingungen genannten Werkzeug hinausgehen.

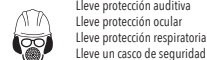
nicht auf natürliche Abnutzung oder Schäden infolge von Unfällen, unsachgemäßer Verwendung oder Zweckentfremdung.

Introducción

Gracias por haber elegido esta herramienta Silverline. Estas instrucciones contienen la información necesaria para utilizar este producto de forma segura y eficaz. Lea atentamente este manual para obtener todas las ventajas y características únicas de su nueva herramienta. Conserve este manual a mano y asegúrese de que todas las personas que utilicen esta herramienta lo hayan leído y entendido correctamente.

Descripción de los símbolos

Los símbolos siguientes pueden aparecer en la placa de características de su herramienta. Estos representan información importante sobre el producto o instrucciones relativas a su uso.



Lleve protección auditiva
Lleve protección ocular
Lleve protección respiratoria
Lleve un casco de seguridad



Lleve guantes de seguridad



Lea el manual de instrucciones



Protección clase II (doble aislamiento para mayor protección)



¡Peligro!



Conforme a las normas de seguridad y a la legislación correspondientes



Protección medioambiental

Los productos eléctricos usados no se deben mezclar con la basura casera. Están sujetos al principio de recogida selectiva. Solicite información a su ayuntamiento o distribuidor sobre las opciones de reciclaje

Abreviaturas de términos técnicos

V	Voltio/s
~, AC	Corriente alterna
A	Amperio/s
n	Velocidad nominal
Hz	Hercio/s
W, kW	Vatio/s, kilovatio/s
/min or min ⁻¹	(Revoluciones/oscilaciones) por minuto

Características técnicas

Tensión:	230 V, 50 Hz
Potencia:	810 W
Velocidad sin carga:	250 m/min
Tamaño de la banda de lija (An x L):	76 x 533 mm
Longitud del cable de alimentación:	1,8 m
Clase de protección:	
Grado de protección:	IPX0
Peso:	2,9 kg

Como parte de nuestra política de desarrollo de productos, los datos técnicos de los productos Silverline pueden cambiar sin previo aviso

Información sobre ruido y vibración:

Presión acústica L _{WA} :	101,4 dB(A)
Potencia acústica L _{WA} :	90,4 dB(A)
Incertidumbre k:	3 dB
Vibración ponderada a _h (empuñadura principal):	1,890 m/s ²
Incertidumbre k:	1,5 m/s ²

El nivel de intensidad sonora para el usuario puede exceder de 85 dB(A). Se recomienda usar medidas de protección sonora.

ADVERTENCIA: Utilice siempre protección auditiva cuando el nivel ruido exceda 85 dB(A) o cuando esté expuesto durante largos periodos de tiempo. Si por algún motivo nota algún tipo de molestia auditiva incluso llevando orejeras de protección, detenga inmediatamente la herramienta y compruebe que las orejeras de protección estén colocadas adecuadamente. Asegúrese de que el nivel de atenuación y protección de las orejeras sea adecuado dependiendo del tipo de herramienta y el trabajo a realizar.

ADVERTENCIA: La exposición a la vibración durante la utilización de una herramienta puede provocar pérdida del sentido del tacto, entumecimiento, hormigueo y disminución de la capacidad de sujeción. La exposición durante largos periodos de tiempo puede provocar enfermedad crónica. Si es necesario, limite el tiempo de exposición a la vibración y utilice guantes anti-vibración. No utilice la herramienta cuando sus manos estén muy frías, las vibraciones tendrán un mayor efecto. Utilice los datos técnicos de su herramienta para evaluar la exposición y medición de los niveles de ruido y vibración.

Los niveles de vibración y ruido están determinados según las directivas internacionales vigentes. Los datos técnicos se refieren al uso normal de la herramienta en condiciones normales. Una herramienta defectuosa, mal montada o desgastada puede incrementar los niveles de ruido y vibración. Para más información sobre ruido y vibración, puede visitar la página web

www.osha.europa.eu

Instrucciones de seguridad para herramientas eléctricas

⚠️ ADVERTENCIA: Lea siempre cuidadosamente todas las advertencias e instrucciones de seguridad para utilizar este producto de forma segura. No seguir estas instrucciones podría causar una descarga eléctrica, incendio y/o lesiones graves.

Conserve estas instrucciones de seguridad para futura referencia.

El término "herramienta eléctrica" descrito en este manual se refiere a una herramienta alimentada por conexión eléctrica mediante cable (herramienta alámbrica) o una herramienta eléctrica alimentada por batería (herramienta inalámbrica).

1) Seguridad en el área de trabajo

- a) Mantenga el área de trabajo limpia y bien iluminada. Las áreas de trabajo desordenadas y oscuras son peligrosas y pueden provocar un accidente.
- b) No utilice herramientas eléctricas en atmósferas explosivas que contengan líquidos, gases o polvos inflamables. Las herramientas eléctricas producen chispas que pueden incendiar el polvo o los vapores.
- c) Mantenga a los niños y personas alejadas mientras esté trabajando con una herramienta eléctrica. Las distracciones pueden hacerle perder el control de la herramienta.

2) Seguridad eléctrica

- a) El enchufe de su herramienta eléctrica debe coincidir con la toma de corriente. Nunca realice ningún tipo de modificación en el enchufe. No utilice adaptadores de enchufe sin toma de tierra. No modifique los enchufes y tomas de corriente para reducir el riesgo de descargas eléctricas.
- b) Evite el contacto corporal con materiales conductores tales como tuberías, radiadores, estufas y refrigeradores. El riesgo de descarga eléctrica se incrementa si su cuerpo está expuesto a materiales conductores.
- c) No utilice las herramientas eléctricas bajo la lluvia o en zonas extremadamente húmedas. El contacto de agua dentro de la herramienta aumentará el riesgo de descargas eléctricas.
- d) No doble el cable de alimentación. No use nunca el cable de alimentación para transportar la herramienta eléctrica, tirar de ella o desenchufarla. Mantenga el cable de alimentación alejado de fuentes de calor, aceite, bordes afilados o piezas móviles. Los cables de alimentación dañados o enredados aumentan el riesgo de descargas eléctricas.
- e) Use un cable de extensión adecuado para uso exterior cuando utilice la herramienta eléctrica en áreas exteriores. El uso de un cable adecuado para exteriores reducirá el riesgo de descargas eléctricas.
- f) Si es inevitable trabajar con una herramienta eléctrica en lugares húmedos, use un suministro protegido por un interruptor diferencial o disyuntor por corriente diferencial o residual (RCD). El uso de un RCD reduce el riesgo de descargas eléctricas.

3) Seguridad personal

- a) Manténgase alerta, fíjese en lo que está haciendo y use el sentido común cuando esté utilizando una herramienta eléctrica. No use una herramienta eléctrica cuando esté cansado o bajo la influencia de drogas, alcohol o medicamentos. Distráerse mientras esté utilizando una herramienta eléctrica puede provocar lesiones corporales graves.
 - b) Utilice siempre equipo de protección personal. Use siempre protección ocular. El uso de dispositivos de seguridad personal (mascarillas antipolvo, calzado de seguridad antideslizante, casco de protección y protección auditiva) reducirá el riesgo de lesiones corporales.
 - c) Evite el arranque accidental de la herramienta. Asegúrese de que el interruptor esté en la posición de apagado antes de enchufar la herramienta. Nunca transporte herramientas con el dedo colocado en el interruptor o con el interruptor en posición de encendido.
 - d) Retire todas las llaves de ajuste antes de encender la herramienta. Una llave colocada sobre una parte móvil de la herramienta eléctrica puede causar lesiones graves.
 - e) No adopte posturas forzadas. Colóquese en posición firme y mantenga el equilibrio en todo momento. Esto le permitirá controlar mejor la herramienta eléctrica en situaciones inesperadas.
 - f) Vístase de manera apropiada. No lleve ropa holgada ni joyas. Mantenga el cabello, la ropa y guantes lejos de las piezas en movimiento. La ropa holgada, las joyas o el cabello largo pueden quedar atrapados en las piezas en movimiento.
 - g) Extracción de polvo. Utilice siempre un sistema de extracción de polvo/aspiradora y asegúrese de utilizarlos de manera apropiada. El uso de estos dispositivos reducirá los peligros relacionados con el polvo.
 - h) No deje que la familiaridad con el producto a base de utilizarlo repetidamente sustituya las normas de seguridad indicadas para utilizar esta herramienta. Utilizar esta herramienta de forma incorrecta puede causar daños y lesiones personales.
- ### 4) Uso y mantenimiento de las herramientas eléctricas
- a) Nunca fuerce la herramienta eléctrica. Utilice esta herramienta eléctrica de forma adecuada. Utilice su herramienta de forma correcta para cada aplicación.
 - b) No use esta herramienta eléctrica cuando el interruptor de encendido/apagado esté averiado. Cualquier herramienta eléctrica que no se pueda controlar con el interruptor de encendido/apagado será peligrosa y debe ser reparada inmediatamente.
 - c) Desenchufe siempre la herramienta o retire la batería antes de realizar cualquier ajuste, cambiar accesorios o almacenar la herramienta. Estas medidas de seguridad preventivas evitarán el arranque accidental de su herramienta eléctrica.

- d) Guarde siempre las herramientas eléctricas fuera del alcance de los niños. No permita que las personas que no estén familiarizadas con estas instrucciones utilicen la herramienta. Las herramientas eléctricas son peligrosas en manos de personas que no estén capacitadas para su uso.

- e) Compruebe regularmente el funcionamiento de sus herramientas eléctricas. Asegúrese de que no haya piezas en movimiento desalineadas o trabadas, piezas rotas o cualquier otro problema que pueda afectar al funcionamiento de la herramienta. Repare siempre las piezas dañadas antes de utilizar la herramienta. La falta de mantenimiento es la causa de la mayoría de accidentes.

- f) Las herramientas de corte deben estar siempre afiladas y limpias. Las herramientas de corte correctamente afiladas son menos propensas a trabarse y son más fáciles de controlar.

- g) Utilice esta herramienta eléctrica y los accesorios según el manual de instrucciones y teniendo en cuenta las condiciones y el trabajo que necesite realizar. El uso de esta herramienta eléctrica con un propósito distinto al cual ha sido diseñada podría ser peligroso y causar lesiones.

- h) Mantenga siempre las empuñaduras y superficies de agarre limpias y libres de grasa. Las empuñaduras y superficies resbaladizas pueden provocar la pérdida de control de la herramienta de forma inesperada.

5) Uso y mantenimiento de herramientas a batería

- a) Cargue la batería solo con el cargador suministrado por el fabricante. Los cargadores y baterías incompatibles pueden provocar un incendio.
- b) Utilice la herramienta solo con el cargador suministrado por el fabricante. Los cargadores y baterías incompatibles pueden provocar un incendio y lesiones graves.
- c) Mantenga las baterías lejos de objetos metálicos (clips, monedas, clavos, tornillos, etc.). El contacto con objetos metálicos con las terminales de las baterías puede causar un incendio.
- d) Tenga precaución, durante condiciones de uso extremas, podría desprenderse el líquido del interior de la batería. Este líquido puede causar irritaciones en la piel y los ojos. Evite el contacto en todo momento. En caso de contacto, enjuague la zona con agua. Si el líquido entra en contacto con los ojos solicite ayuda médica.
- e) Nunca utilice cargadores o herramientas que estén dañadas o hayan sido modificadas. Las baterías dañadas o modificadas pueden explotar de forma inesperada y causar un incendio.

- f) Nunca exponga el cargador o la batería a temperaturas extremas. Exponer el cargador o la batería a temperaturas superiores a 130° C puede provocar una explosión.

- g) Siga siempre las instrucciones relativas a la carga de la batería. Cargue siempre la batería dentro del rango de temperatura indicado en las especificaciones técnicas. Cargar la batería en un entorno con temperaturas extremas podría dañar la batería y provocar un incendio.

6) Mantenimiento y reparación

- a) Repare siempre su herramienta eléctrica en un servicio técnico autorizado. Utilice únicamente piezas de recambio idénticas y homologadas. Esto garantizará un funcionamiento óptimo y seguro de su herramienta eléctrica.

- b) Nunca intente reparar cargadores o baterías dañadas. Repare el cargador y la batería solamente en un servicio técnico autorizado.

Instrucciones de seguridad para lijadoras

ADVERTENCIA: Sujete siempre la herramienta por las empuñaduras aisladas, la banda o el disco de lija podría entrar en contacto con el cable de alimentación. Las partes metálicas de esta herramienta que entren en contacto con un cable bajo tensión pueden provocar descargas eléctricas al usuario.

ADVERTENCIA: Sujete siempre la pieza de trabajo con abrazaderas o un tornillo de banco sobre una superficie estable. Sujetar la pieza de trabajo con la mano puede provocar la pérdida de control de la herramienta.

- a) Lleve siempre mascarilla antipolvo con grado de protección mínimo FFP2, gafas de seguridad y protecciones para los oídos.
- b) Es responsabilidad del usuario asegurarse de que otras personas que se encuentren alrededor del área de trabajo vayan equipadas con equipo de protección adecuado.
- c) Tenga un cuidado especial al lijar maderas (haya, roble, caoba y teca), puesto que el polvo que se produzca es tóxico y puede provocar reacciones externas en algunas personas.
- d) NUNCA utilice esta herramienta con materiales que contengan asbestos. Consulta a una persona especializada en caso de duda.
- e) No lije magnesio ni aleaciones que contengan un alto porcentaje de magnesio.
- f) Tenga cuidado con los acabados de pinturas/tratamientos que puedan haber sido aplicados al material que está lijando. Muchos tratamientos pueden causar polvo tóxico o dañino. Si está trabajando en un edificio construido antes de 1960, existe la posibilidad de que las pinturas contengan una base de plomo.
- g) El polvo que produzca al lijar pinturas con base de plomo es particularmente peligroso para los niños, para las mujeres embarazadas y para las personas con una alta presión sanguínea. No permita que estas personas se acerquen al área de trabajo, incluso si llevan prendas de protección adecuadas.
- h) Siempre que resulte posible, use un sistema de extracción de polvo por aspiración para controlar el polvo/serrín/residuos.
- i) Tenga mucha precaución cuando use esta herramienta para lijar madera y metal. Las chispas que genera el lijado de metal pueden provocar la ignición del serrín. Limpie siempre esta herramienta para evitar el riesgo de incendio.

- j) Vacíe regularmente la bolsa o el recipiente para el polvo, especialmente entre pausas o al acabar la tarea. El polvo puede provocar una explosión. Nunca tire el polvo en un fuego. Las partículas de aceite y agua junto con el polvo pueden generar una explosión. Deshágase siempre del polvo y otros materiales de acuerdo con la normativa de reciclaje vigente.
- k) Las superficies de trabajo y la misma lijadora pueden calentarse mucho durante su uso. Si evidencia la presencia de quemaduras (humo o ceniza), en la superficie de trabajo, pare y deje que se enfríe el material. No toque la superficie de trabajo ni la lijadora hasta que hayan terminado de enfriarse.
- l) No toque el disco o la banda de lija en movimiento.
- m) Desenchufe la herramienta antes de depositarla en una superficie.
- n) NO utilice esta herramienta para lijar en húmedo. El contacto del agua con la carcasa del motor puede provocar descargas eléctricas al usuario.
- o) Desenchufe esta herramienta antes de colocar/cambiar cualquier accesorio.
- p) Incluso cuando se esté utilizando según lo prescrito, no es posible eliminar todos los factores de riesgo residuales. Utilice esta herramienta con precaución. Si no está seguro de cómo utilizar esta herramienta de forma correcta, no la utilice.

Características del producto

1	Empuñadura frontal
2	Botón de bloqueo
3	Empuñadura posterior
4	Salida de extracción de polvo
5	Tapa de acceso a la correa de transmisión
6	Perilla de ajuste de la banda
7	Soporte para la placa de guía
8	Interruptor de encendido/apagado
9	Rodillo frontal
10	Palanca de liberación de la banda
11	Ranuras para la placa de guía
12	Bolsa para polvo
13	Abrazaderas para montaje invertido
14	Soporte para abrazaderas de montaje invertido

Accesorios (no mostrados):

- Banda de lija grano 100

Aplicaciones

Lijadora de banda indicada para realizar trabajos medianos y pesados en maderas blandas, maderas duras y materiales similares.

Desembalaje

- Desembale e inspeccione la herramienta con cuidado. Familiarícese con todas sus características y funciones.
- Asegúrese de que el embalaje contiene todas las partes y que están en buenas condiciones. Si faltan piezas o están dañadas, solicite su sustitución antes de utilizar esta herramienta.

Antes de usar

⚠ ADVERTENCIA: Desconecte siempre la herramienta de la toma de corriente antes de cambiar o sustituir cualquier accesorio.

Montaje de la banda de lija

1. Coloque la lijadora hacia arriba en una superficie plana o banco de trabajo.
2. Levante la palanca de liberación de la banda (10). Esto retraerá el rodillo frontal (8) y aflojará la banda de lija. Ahora podrá extraer la banda.
3. Coloque la banda de lijado adecuadamente sobre los rodillos.
4. Cierre la palanca de liberación de la banda. Ahora la banda debería estar tensa y segura.
5. Si es necesario, utilice la perilla de ajuste de la banda (6) para asegurarse de que la banda quede bien centrada.

6. Mantenga la lijadora mirando hacia abajo en la superficie de trabajo y enciéndala.
7. Sujete la lijadora firmemente por la empuñadura posterior (3) y apriete el interruptor de encendido/apagado (8). Compruebe el sentido de rotación de la banda.
8. Si lo necesita, ajuste la perilla de ajuste de centrado de la banda (7) en sentido horario para mover la banda hacia la izquierda o antihorario para moverla hacia la derecha.
9. Desconecte la lijadora de la toma de corriente.

Montaje de la bolsa para el polvo

- Coloque la bolsa para recoger el polvo (12) en la salida de extracción de polvo (4).
- Nunca deje que la bolsa se llene de polvo completamente, de lo contrario la extracción de polvo no funcionará correctamente.

Funcionamiento

⚠ ADVERTENCIA: Lleve siempre protección adecuada cuando utilice esta herramienta, incluido protección ocular, protección auditiva y guantes de protección.

Encendido/apagado

- Para encender la herramienta, mantenga pulsado el interruptor de encendido/apagado (7); para detener la herramienta, suelte el interruptor.
- Para utilizar la herramienta en modo continuo, deberá bloquear el interruptor de encendido/apagado en la posición de "ON" de esta manera:
 1. Mantenga pulsado el interruptor de encendido/apagado y pulse el botón de bloqueo (2); la herramienta permanecerá en funcionamiento una vez suelte el interruptor de encendido/apagado.
 2. Para detener la herramienta, presione y suelte el interruptor de encendido/apagado.

Lijado

- Antes de empezar a lijar, asegúrese de que el material que va a lijar no se mueva o se deslice. Use abrazaderas cuando sea necesario y sujete la herramienta con ambas manos.
- Para conseguir un acabado de alta calidad, empiece siempre con una banda de lija de grano grueso y continúe con bandas de grano más fino hasta conseguir el acabado deseado.
- Compruebe que el interruptor de encendido/apagado (8) está en la posición de apagado y que la banda de lija está adecuadamente ajustada antes de conectar la lijadora a la toma de corriente.
 1. Conecte la lijadora a la toma de corriente.
 2. Levante la lijadora de la superficie de trabajo y enciéndala. Espere hasta que la lijadora alcance su velocidad máxima de funcionamiento.
 3. Sujete la lijadora con ambas manos y apoye la lijadora sobre la pieza de trabajo presionando ligeramente. Lije la pieza de trabajo con movimientos superpuestos siempre paralelamente al grano de la madera.
 4. Mueva la lijadora suavemente a través de la pieza de trabajo hasta extraer la cantidad de material deseado.
 5. Retire la lijadora de la pieza de trabajo antes de apagarla.
 6. Asegúrese de que el motor se ha parado por completo antes de soltar la herramienta.
 7. Desenchufe la lijadora de la toma de corriente antes de dejarla desatendida.

Montaje sobre un banco de trabajo

Esta lijadora puede montarse sobre un banco de trabajo utilizando las abrazaderas para montaje invertido (14) y el soporte para las abrazaderas (13).

1. Coloque la lijadora sobre una superficie plana y segura.
2. Centre el soporte de la abrazadera en la empuñadura frontal (1) y coloque la lijadora boca abajo para que esta quede apoyada sobre el soporte.
3. Coloque las abrazaderas de montaje invertido en los orificios de montaje de la lijadora. Los soportes de plástico deben estar sujetos a la parte inferior del banco de trabajo.
4. Apriete las tuercas de mariposa para sujetar la lijadora firmemente en el banco de trabajo.

Vaciado de la bolsa para polvo

ADVERTENCIA: Asegúrese de desconectar la lijadora de la fuente de alimentación antes de vaciar la bolsa para polvo.

1. Retire la bolsa para polvo (12) de la salida de extracción de polvo (4).
2. Abra la bolsa para polvo, vacíela y límpiela. Vuelva a colocar la bolsa en la salida para la extracción de polvo (véase Montaje de la bolsa para el polvo).

Nota: Tenga precaución cuando lije materiales que contengan sustancias nocivas tales como pintura, barnices, revestimientos, etc. Recicle siempre estas sustancias en puntos de reciclaje adecuados, según la normativa vigente.

ADVERTENCIA: Para mayor eficacia, vacíe la bolsa para el polvo cuando esté medio llena.

Accesorios

- Existen gran variedad de accesorios, Bandas de lija grano 40, 75 x 533 mm, Bandas de lija grano 120, 75 x 533 mm, Bloque para limpiar bandas de lija disponibles a través de su distribuidor Silverline más cercano o en www.tools4sparesonline.com.

Mantenimiento

⚠️ ADVERTENCIA: Desconecte siempre la herramienta de la toma eléctrica antes de realizar cualquier tarea de mantenimiento o limpieza.

Sustitución de la correa de transmisión

- Esta herramienta se suministra con una correa de transmisión de repuesto.
- 1. Coloque la lijadora de lado con la tapa de acceso a la correa de transmisión (5) mirando hacia arriba.
- 2. Retire los dos tornillos de la tapa de acceso a la correa de transmisión para poder acceder a la correa y los engranajes.
- 3. Coloque la correa nueva sobre la polea de accionamiento superior y deslícela sobre la polea más grande, haga girar la correa hasta que los dientes de la correa estén correctamente engranados en la polea.

Inspección general

- Compruebe regularmente que todos los tornillos y elementos de fijación estén bien apretados. Con el paso del tiempo pueden vibrar y aflojarse.
- Inspeccione el cable de alimentación antes de utilizar esta herramienta y asegúrese de que no esté dañado. Las reparaciones deben realizarse por un servicio técnico Silverline autorizado.

Limpieza

- Mantenga la herramienta siempre limpia. La suciedad y el polvo pueden dañar y reducir la vida útil su herramienta. Utilice un cepillo suave o un paño seco para limpiar la herramienta. Si dispone de un compresor de aire comprimido, sople con aire seco y limpio para limpiar los orificios de ventilación.
- Limpie la carcasa de la herramienta con un paño húmedo y detergente suave. Nunca utilice alcohol, combustible o productos de limpieza.
- Nunca utilice agentes cáusticos para limpiar las piezas de plástico.

Lubricación

- Aplique regularmente spray lubricante en las piezas móviles.

Sustitución de las escobillas

- Con el tiempo, las escobillas de carbono del motor se desgastarán.
- Si las escobillas se han desgastado excesivamente, el rendimiento del motor puede disminuir, la herramienta tal vez no arranque o quizás observe una excesiva presencia de chispas.
- Si sospecha que las escobillas pueden estar desgastadas, lleve la herramienta a un servicio técnico autorizado.

Almacenaje

- Guarde esta herramienta y accesorios en un lugar seco y seguro fuera del alcance de los niños.

Reciclaje

Deshágase siempre de las herramientas eléctricas adecuadamente respetando las normas de reciclaje indicadas en su país.

- No desheche las herramientas y aparatos eléctricos junto con la basura convencional. Recídelos siempre en puntos de reciclaje.
- Póngase en contacto con la autoridad local encargada de la gestión de residuos para obtener más información sobre cómo reciclar este tipo de herramientas correctamente.

Solución de problemas

Problema	Causa	Solución
La herramienta no se enciende al accionar interruptor de encendido/apagado (7)	Falta de alimentación eléctrica	Compruebe el suministro eléctrico
	Interruptor de encendido/apagado averiado	Sustituya el interruptor de encendido/apagado en un servicio técnico Silverline autorizado
La lijadora se desplaza hacia un lado durante el funcionamiento	Banda de lija mal centrada	Utilice la perilla de ajuste de la banda (6) para centrarla correctamente. Si el problema persiste, véase "Montaje de una banda de lija"
	Banda de lija suelta	Compruebe que la palanca de liberación de la banda (10) esté cerrada. Si el problema persiste, véase "Montaje de una banda de lija"
Sonido anormal, pérdida de potencia durante el funcionamiento	Correa de transmisión desgastada	Sustituya la correa de transmisión. Véase "Sustituir la correa de transmisión"
La lijadora no se detiene al soltar el interruptor de encendido/apagado	Botón de bloqueo (2) activado	Para detener la herramienta, apriete y vuelva a soltar el interruptor de encendido/apagado

Garantía

Este producto Silverline dispone de una garantía de 3 años.

Para obtener la garantía de 3 años, deberá registrar el producto en www.silverlinetools.com antes de que transcurran 30 días. El periodo de garantía será válido desde la fecha indicada en su recibo de compra.

Registro del producto

Visite: silverlinetools.com, seleccione el botón de registro e introduzca:

- Sus datos personales
- Detalles del producto e información de compra

El certificado de garantía le será enviado en formato PDF. Imprímalo y guárdelo con el producto.

Condiciones

El periodo de garantía entra en vigor a partir de la fecha indicada en el recibo de compra.

GUARDE EL RECIBO DE COMPRA

Si el producto se ha averiado antes de que transcurran 30 días desde la fecha de compra, deberá devolverlo a su lugar de compra, junto con el recibo de compra y los detalles de la avería. En este caso, le sustituiremos el producto o le reembolsaremos el importe.

Si el producto se ha averiado después de que transcurran 30 días desde la fecha de compra, devuélvalo a:

Servicio Técnico Silverline Tools

PO Box 2988

Yeovil

BA21 1WU, Reino Unido.

La reclamación siempre debe presentarse durante el periodo de garantía.

Antes de poder realizar cualquier trabajo de reparación, deberá entregar el recibo de compra original en el que se indica la fecha de compra, su nombre, dirección y el lugar donde lo adquirió.

También deberá indicar claramente los detalles del fallo a reparar.

Las reclamaciones presentadas dentro del periodo de garantía deberán ser verificadas por Silverline Tools para averiguar si las deficiencias son consecuencia de los materiales o de la mano de obra del producto.

Los gastos de transporte no son reembolsables. Los productos enviados deben estar limpios y en buenas condiciones para su reparación, deberán empaquetarse cuidadosamente con el fin de evitar que se produzcan daños durante el transporte. Silverline Tools se reserva el derecho a rechazar envíos incorrectos o inseguros.

Todas las reparaciones serán realizadas por Silverline Tools o por un servicio técnico autorizado.

La reparación o sustitución del producto no prolongará el periodo de garantía.

Si la avería está cubierta por la garantía, la herramienta será reparada sin cargo alguno (salvo los gastos de envío), o bien la sustituiremos por una herramienta en perfecto estado de funcionamiento.

Las herramientas o piezas que hayan sido sustituidas serán propiedad de Silverline Tools.

La reparación o sustitución del producto bajo garantía aporta beneficios adicionales a sus derechos legales como consumidor, sin afectarlos.

Qué está cubierto:

Silverline Tools deberá comprobar si las deficiencias se deben a materiales o mano de obra defectuosos dentro del periodo de garantía.

En caso de que cualquier pieza no estuviera disponible o estuviera fuera de fabricación, Silverline Tools la sustituirá por una pieza funcional con las mismas características.

Uso del producto en la Unión Europea.

Qué no está cubierto:

Silverline Tools no garantiza las reparaciones causadas por:

Desgaste normal por uso adecuado de la herramienta, por ejemplo hojas, escobillas, correas, bombillas, baterías, etc...

La sustitución de cualquier accesorio suministrado: brocas, hojas, papel de lija, discos de corte y otras piezas relacionadas.

Daño accidental, averías debidas a uso o cuidado negligente, uso incorrecto, negligencia, funcionamiento o manejo indebido del producto.

Utilizar del producto para una finalidad distinta.

Cualquier cambio o modificación del producto.

El uso de piezas y accesorios que no sean recambios originales de Silverline Tools.

Instalación incorrecta (excepto si fue realizada por Silverline Tools).

Reparaciones o alteraciones realizadas por servicios técnicos no autorizados por Silverline Tools.

Las reclamaciones distintas a las indicadas en las presentes condiciones de garantía no estarán cubiertas.

Introduzione

Grazie per aver acquistato questo utensile Silverline. Queste istruzioni contengono informazioni utili per il funzionamento sicuro ed affidabile del prodotto. Per essere sicuri di utilizzare al meglio il potenziale dell'utensile si raccomanda pertanto di leggere a fondo questo manuale. Conservare il manuale in modo che sia sempre a portata di mano e accertarsi che l'operatore dell'elettroutensile lo abbia letto e capito a pieno.

Descrizioni dei simboli

La targhetta sul vostro utensile può mostrare simboli. Questi rappresentano informazioni importanti riguardanti il prodotto o istruzioni sul suo utilizzo.



Indossare la protezione acustica
Indossare occhiali di protezione
Indossare una protezione per la respirazione
Indossare il casco



Indossare la protezione delle mani



Leggere il manuale di istruzioni



Doppio isolamento per una protezione supplementare



Attenzione!



Il prodotto è conforme alle vigenti normative e norme di sicurezza applicabili



Protezione ambientale

Il simbolo del cestino barrato indica che i prodotti elettrici non devono essere mischiati con i rifiuti domestici ma conferito ad un centro di raccolta appropriato. Per ulteriori informazioni sul riciclaggio si prega di contattare la Sua amministrazione comune locale o il punto vendita

Abbreviazioni tecnici

V	Volts
~, AC	Corrente alternata
A	Ampere
n	Velocità nominale
Hz	Hertz
W, kW	Watt, kilowatt
/min or min ⁻¹	Operazioni per minuto

Specifiche tecniche

Tensione:	230 V ~ 50 Hz
Potenza:	810 W
Velocità a vuoto:	250 m/min
Dimensioni Belt (W x L):	76 x 533 mm
Lunghezza cavo:	1,8 m
Classe di protezione:	
Protezione d'ingresso:	IPX0
Peso:	2,9 kg

Come parte del nostro continuo sviluppo dei prodotti, le specifiche dei prodotti Silverline possono variare senza preavviso.

Informazioni sul suono e sulle vibrazioni:

Pressione sonora L_{WA} :	101,4 dB (A)
Potenza sonora L_{WA} :	90,4 dB (A)
Incertezza K:	±3 dB
Vibrazioni ponderata a_h (impugnatura principale):	4,002 m/s ²
Incertezza K:	±1,5 m/s ²

Il livello di intensità del suono per l'operatore può superare i 85 dB (A), sono quindi necessarie delle misure di protezione dal suono.

ATTENZIONE: Indossare sempre protezioni per le orecchie, quando il livello sonoro supera i 85 dB (A) e limitare il tempo di esposizione, se necessario. Se i livelli sonori diventano sgradevoli, anche con la protezione per le orecchie, smettere di usare l'utensile immediatamente e controllare che la protezione acustica sia montata correttamente e che fornisca il corretto livello di isolamento acustico per il livello del suono prodotto dal vostro utensile.

ATTENZIONE: L'esposizione dell'utente alle vibrazioni dell'utensile può causare la perdita del senso del tatto, intorpidimento, formicolio e riduzione della capacità di presa. Una lunga esposizione può portare ad una condizione cronica. Se necessario, limitare la durata di esposizione alle vibrazioni e utilizzare guanti anti-vibrazione. Non utilizzare l'utensile se la temperatura delle mani è al di sotto del normale, in quanto ciò farà sì che l'effetto delle vibrazioni sia maggiore. Utilizzare i dati forniti nella specifica relativa alle vibrazioni per calcolare la durata e la frequenza di funzionamento dell'utensile.

I livelli sonori e le vibrazioni nella specifica sono determinati seguendo gli standard internazionali. Le figure rappresentano un normale utilizzo per l'utensile in normali condizioni di lavoro. Un utensile tenuto in cattive condizioni, montato in modo errato o utilizzato in maniera impropria può essere causa di un aumento dei livelli sonori e delle vibrazioni. www.osha.europa.eu fornisce informazioni sui livelli sonori e delle vibrazioni nei luoghi di lavoro utili agli utenti domestici che utilizzano utensili per lunghi periodi di tempo.

Norme generali di sicurezza

AVVERTENZA: Leggere ed assimilare tutte le istruzioni. La non osservanza delle seguenti istruzioni può causare scosse elettriche, incendi e/o lesioni gravi.

⚠ ATTENZIONE: Questo apparecchio non è destinato all'uso da parte di persone (inclusi i bambini) con capacità fisiche o mentali ridotte o con mancanza di esperienza o di conoscenza, a meno che non siano controllati o istruiti all'uso dell'apparecchio da una persona responsabile della loro sicurezza. I bambini devono essere sorvegliati per assicurarsi che non giochino con l'apparecchio.

Conservare tutte le avvertenze di pericolo e le istruzioni operative per ogni esigenza futura.

Il termine "elettroutensile" si riferisce all'utensile a rete fissa (con filo) o un utensile a batteria (senza filo).

1. Area di lavoro.
 - a. Mantenere l'area di lavoro pulita e adeguatamente illuminata. Il disordine e le zone di lavoro poco illuminate possono essere fonte di incidenti.
 - b. Non usare gli elettroutensili in presenza di atmosfere esplosive, come liquidi, gas e polveri infiammabili. Gli elettroutensili producono scintille che potrebbero accendere le polveri o i fumi.
 - c. Tenere altre persone e i bambini a distanza di sicurezza durante l'impiego dell'utensile elettrico. Eventuali distrazioni potrebbero far perdere il controllo dell'utensile all'operatore.
2. Sicurezza elettrica
 - a. Le spine degli elettroutensili devono essere compatibili con le prese di corrente. Non modificare in alcun modo la spina dell'elettroutensile. Non usare adattatori con gli elettroutensili dotati di collegamento di messa a terra. L'uso delle spine originali non modificate e delle prese corrispondenti ridurrà il rischio di scosse elettriche.
 - b. Evitare il contatto del corpo con le superfici collegate a massa come i tubi, i radiatori, le cucine e i frigoriferi. Se il corpo dell'operatore è collegato alla terra o alla massa il rischio di scosse elettriche è maggiore.
 - c. Non esporre gli elettroutensili alla pioggia e non lasciarli in ambienti umidi o bagnati. L'ingresso dell'acqua in un utensile aumenta il rischio di scosse elettriche.
 - d. Non usare il cavo in modo improprio. Non afferrare mai il cavo per trasportare, tirare o staccare l'elettroutensile dalla presa di corrente. Tenere il cavo lontano da fonti di calore, olio e sostanze affini, bordi appuntiti o parti in movimento. I cavi danneggiati o attorcigliati aumentano il rischio di scosse elettriche.
 - e. Qualora si voglia usare l'utensile all'aperto, usare cavi di prolunga compatibili con l'uso in ambienti esterni. Un cavo idoneo all'uso in ambienti esterni riduce il rischio di scosse elettriche.
 - f. Se l'utilizzo di un elettroutensile in ambiente umido è inevitabile, utilizzare una fonte di alimentazione protetta da un dispositivo differenziale. L'uso di un dispositivo differenziale riduce notevolmente il rischio di scosse elettriche.
 - g. Se utilizzato in Australia o in Nuova Zelanda, si raccomanda che questo strumento viene sempre fornito con dispositivo di corrente residua (RCD) con una corrente differenziale nominale di 30 mA o meno.
3. Sicurezza personale
 - a. Quando si usa un elettroutensile lavorare sempre con la massima attenzione e concentrazione, lasciandosi guidare dal buon senso. Non usare mai un elettroutensile quando si è stanchi o sotto l'effetto di medicinali e/o sostanze alcoliche o stupefacenti. Quando si usa un elettroutensile un attimo di distrazione è sufficiente a causare gravi lesioni alle persone.
 - b. Usare dispositivi per la protezione personale. Indossare sempre protezioni per gli occhi. I dispositivi per la sicurezza personale, come le mascherine antipolvere, le calzature di sicurezza antiscivolo, il casco e la cuffia, se usati in maniera appropriata, riducono i rischi di lesioni alle persone.
 - c. Evitare l'avviamento accidentale. Garantire che l'interruttore è in posizione arresto (OFF) prima di attaccare la presa e/o batteria, prendere in mano o trasportare l'utensile. Trasportare gli elettroutensili con il dito al di sopra dell'interruttore o attaccando l'elettroutensile con l'interruttore acceso, aumenta il rischio di incidenti.
 - d. Rimuovere tutte le chiavi di regolazione e le chiavi inglesi prima di accendere l'elettroutensile. Una chiave inglese o una chiave di regolazione collegata a una parte in movimento dell'elettroutensile potrebbe causare lesioni alle persone.
 - e. Non andare oltre l'altezza consentita. In qualsiasi momento mantenere i piedi poggiati su superfici solide e un punto di appoggio sicuro. Un buon equilibrio consente di avere il massimo controllo sull'elettroutensile nelle situazioni inaspettate.
 - f. Vestirsi con abbigliamento adeguato. Non indossare abiti larghi o gioielli. Tenere i capelli, vestiti e guanti lontano da parti in movimento. Vestiti lenti, gioielli o capelli lunghi possono impigliarsi nelle parti in movimento.
 - g. Se il dispositivo utilizzato è dotato di una bocchetta per l'aspirazione della polvere accertarsi che sia collegato e utilizzato correttamente. L'uso di tali dispositivi riduce i rischi correlati alle polveri.
4. Utilizzo e cura di un elettroutensile
 - a. Non forzare l'elettroutensile. Usare sempre l'elettroutensile corretto per il lavoro da eseguire. L'elettroutensile corretto sarà in grado di svolgere il lavoro in modo più efficiente e sicuro nell'ambito della gamma di potenza indicata.
 - b. Non usare l'elettroutensile se l'interruttore di accensione non si accende e si spegne. Gli elettroutensili con un interruttore di accensione difettoso sono pericolosi e devono essere riparati immediatamente.

- c. Staccare la spina dalla presa di corrente prima di effettuare qualsiasi regolazione, sostituire gli accessori o riporre gli attrezzi a motore. Queste misure di sicurezza preventive riducono il rischio di avvio involontario.
- d. Conservare l'elettroutensile fuori dalla portata dei bambini e non lasciare che venga utilizzato da persone non adeguatamente addestrate e competenti nell'uso degli elettroutensili o che non abbiano letto questo manuale di istruzioni. Gli elettroutensili diventano estremamente pericolosi nelle mani di persone non addestrate.
- e. Effettuare la manutenzione degli elettroutensili. Controllare che non ci sia un disallineamento o un blocco delle parti in movimento, la rottura di alcune componenti e altre condizioni che possano influire sul funzionamento dell'apparecchio. In caso di danneggiamento, fare riparare prima di riutilizzarlo. Molti incidenti sono causati da una scarsa manutenzione dell'utensile.
- f. Mantenere le lame pulite e affilate. Gli utensili da taglio tenuti in buone condizioni operative e con i bordi taglienti affilati sono meno soggetti a bloccarsi e più facili da controllare.
- g. Utilizzare l'elettroutensile e tutti i componenti e gli accessori in conformità con le istruzioni di questo manuale e nella maniera prevista per ciascun tipo di utensile, tenendo conto delle condizioni lavorative e del compito da eseguire. L'utilizzo degli elettroutensili per fini diversi da quelli previsti rappresenta un rischio per le persone.
5. Assistenza
 - a) Qualsiasi intervento sull'elettroutensile deve essere eseguito da personale qualificato utilizzando unicamente pezzi di ricambio compatibili e approvati. Ciò garantisce la sicurezza dell'elettroutensile.

Informazioni sulla sicurezza durante l'utilizzo della levigatrice

AVVERTENZA: Tenere l'utensile dai manici isolati o solo dalle superfici di presa, perché il nastro foglio abrasivo potrebbe entrare in contatto con il proprio cavo. Tagliare un cavo "sotto tensione" può esporre le componenti metalliche del dispositivo "sotto tensione", ciò potrebbe dunque trasmettere una scossa elettrica all'operatore.

ATTENZIONE: Fissare il pezzo da sottoporre a lavorazione. Mantenere il pezzo con le mani o con il corpo potrebbe renderlo instabile e potrebbe, quindi, portare alla perdita di controllo.

- a) Indossare SEMPRE indumenti protettivi, compreso la mascherina antipolvere (di tipo idoneo per i particolati fini), occhiali protettivi e protezioni per l'udito
- b) Assicurarsi che anche tutte le persone nelle vicinanze dell'area di lavoro siano dotate di idonei dispositivi di protezione individuale
- c) Prestare particolare attenzione durante la levigatura di pezzi in legno (come faggio, quercia, mogano, e tek), in quanto le polveri prodotte dalla levigatura sono tossiche e possono causare gravi reazioni
- d) MAI utilizzare su materiali contenenti di amianto. Consultare un professionista qualificato, se non siete sicuri se un oggetto contenga amianto
- e) Evitare di levigare pezzi in magnesio o in leghe contenenti alte percentuali di magnesio
- f) Verificare il tipo di verniciatura/trattamento di finitura applicato sul pezzo da levigare. La levigatura di pezzi lavorati con svariati tipi di trattamento potrebbe liberare sostanze tossiche o comunque dannose. Se si opera su edifici fabbricati prima del 1960, esiste un maggior rischio di entrare a contatto con vernici a base di piombo
- g) Le polveri generate dalla levigatura di superfici verniciate con vernici a base di piombo sono particolarmente dannose per bambini, donne in gravidanza e persone con pressione sanguigna elevata. Tenere tali soggetti lontani dall'area di lavoro, anche quando essi indossano indumenti protettivi di tipo idoneo
- h) Se possibile, utilizzare un estrattore di polveri per controllare le polveri generate durante i lavori di levigatura
- i) Prestare particolare attenzione durante l'uso di macchine per la levigatura di legno e metallo. Le scintille generate dal contatto con i pezzi metallici possono innescare incendi delle parti in legno. Tenere la macchina sempre accuratamente pulita, per minimizzare il rischio di incendi
- j) Svuotare il sacchetto o contenitore frequentemente durante l'uso, prima di prendere pause e dopo il completamento della levigatura. La polvere può essere un rischio di esposizione. NON gettare la polvere di segatura nel fuoco. Combustione spontanea può verificarsi quando le particelle di olio o acqua entrano in contatto con le particelle di polvere. Smettere i riflussi con cura e nel rispetto delle leggi e dei regolamenti locali.
- k) Le superfici di lavoro e i fogli di carta vetrata diventano molto caldi durante l'utilizzo; qualora si dovessero riscontrare dei segnali che indicano un principio di incendio (come fumo o cenere), provenienti dalla superficie in lavorazione, interrompere il lavoro e lasciar raffreddare il materiale in lavorazione e il foglio di carta vetrata. Non toccare la superficie di lavoro o la carta vetrata fino a quando non si sono completamente raffreddati
- l) NON toccare la carta vetrata in movimento
- m) Spegnerne sempre prima di mettere giù la levigatrice
- n) NON utilizzare per la levigatura a umido. I liquidi che entrano nel vano motore possono causare gravi scosse elettriche
- o) Scollegare la levigatrice dalla rete di alimentazione prima di effettuare la sostituzione del foglio di carta vetrata
- p) Anche quando questo utensile viene utilizzato come prescritto non è possibile eliminare tutti i fattori di rischio residuo. Se siete in dubbio per un uso sicuro di questo strumento, non ne fate uso

Familiarizzazione con il prodotto

1	Impugnatura anteriore
2	Pulsante di blocco
3	Impugnatura posteriore
4	Presa di estrazione polveri
5	Custodia della cinghia
6	Regolatore del nastro di monitoraggio
8	Grilletto on/off
9	Rullo anteriore
10	Base
11	Leva a rilascio nastro
12	Fori di fissaggio telaio
13	Sacco raccogli polvere
14	Morse di inversione
15	Adattatore di inversione

Accessori (non mostrati):

- 1 x Nastro abrasivo - grana 100

Destinazione d'uso

Levigatrice a nastro per la rimozione a sollecitazione medio-pesante di grandi quantità di materiale, utilizzabile sul legno tenero e duro, e materiali simili.

Disimballaggio dello strumento

- Estrarre con cura l'utensile dallo scatolo. Verificare di averlo disimballato completamente.
- Acquisire la necessaria familiarità con tutte le parti/funzionalità dell'utensile
- In caso di parti mancanti o danneggiate, sarà necessario far riparare o sostituire tali parti prima di utilizzare il prodotto

Prima dell'uso

ATTENZIONE: Assicurarsi che l'utensile sia scollegato dalla rete elettrica prima di collegare o cambiare gli accessori o di fare qualsiasi regolazione.

Installazione di un nastro abrasivo

1. Posizionare la levigatrice a testa in giù su un banco di lavoro o superficie simile piana e solida
2. Estrarre la leva di rilascio cinghia (10). Questa azione fa ritirare il rullo anteriore (8) e rallenta il nastro abrasivo. Il nastro usurato può ora essere rimosso
3. Montare il nuovo nastro di levigatura, posizionandolo esattamente sopra i rulli
4. Chiudere la leva di sblocco nastro. Il nastro dovrebbe essere teso e sicuro
5. Una volta montato, potrebbe essere necessario regolare il regolatore del nastro di monitoraggio (6) per assicurarsi del fatto che il nastro scorra bene
6. Tenere la levigatrice capovolta sul banco di lavoro e collegarla all'alimentazione
7. Tenere la levigatrice saldamente dall'impugnatura posteriore (3) e premere il pulsante a grilletto On/Off (7). Osservare qualsiasi movimento laterale del nastro
8. Se necessario, ruotare il regolatore di monitoraggio nastro in senso orario per spostare il nastro a sinistra o antiorario per muovere il nastro verso destra fino a quando il nastro non scorre bene
9. Scollegare la levigatrice dalla rete elettrica

Montaggio del sacchetto di polvere

- Inserire il sacchetto (12) sulla presa di estrazione (4)
- Per mantenere un efficiente processo di rimozione della polvere, non lasciare che il sacchetto si riempia per più di due terzi

Istruzioni di funzionamento

ATTENZIONE: Indossare sempre occhiali di sicurezza, una adeguata maschera antipolvere, protezione acustica e guanti, quando si lavora con questo utensile.

Accensione e spegnimento

- Per accendere la macchina è necessario premere l'interruttore a grilletto (7). Per spegnere, rilasciare il grilletto
- Per un uso continuato prolungato, l'interruttore a grilletto On/Off a grilletto può essere bloccato in posizione "on":
 1. Premere il grilletto On/Off e premere il pulsante di blocco (2); la macchina continuerà a funzionare quando l'interruttore a grilletto On/Off viene rilasciato
 2. Per arrestare la macchina, premere e rilasciare il grilletto On/Off

Levigatura

- Prima di iniziare la levigatura, assicurarsi che il pezzo da levigare sia saldamente bloccato e non sia in grado di scivolare o muoversi. Se necessario, utilizzare dei dispositivi di bloccaggio e tenere la macchina sempre con entrambe le mani
- Per ottenere un elevato livello di finitura con la massima efficacia, iniziare la levigatura con un nastro a grana grossa, riducendo gradualmente le dimensioni della grana fino a ottenere il livello di finitura desiderato
- Prima di collegare la macchina all'alimentazione di rete, assicurarsi che l'interruttore a grilletto On/Off (7) sia posizionato su "Off" e che il nastro sia installato correttamente
 1. Collegare la macchina alla rete elettrica.
 2. Sollevare la levigatrice tenendola sopra la superficie di lavoro e poi procedere all'accensione. Premere il grilletto On/Off e attendere che la levigatrice raggiunga la piena velocità operativa
 3. Impugnando la macchina saldamente, abbassare la levigatrice sulla superficie di lavoro. Per evitare di danneggiare la superficie di lavoro, muovere la levigatrice seguendo le venature del legno (seguire la naturale venatura del legno)
 4. Spostare il levigatore lentamente sulla superficie che si intende levigare fino a raggiungere il risultato desiderato
 5. Prima di arrestare il motore, sollevare sempre la levigatrice dalla superficie di lavoro
 6. Assicurarsi che il motore si sia arrestato completamente prima di poggiare la macchina
 7. Assicurarsi sempre di aver scollegato la macchina dalla rete elettrica, prima di lasciarla incustodita

Uso da banco

- La levigatrice può essere invertita per uso da banco quando combinata con adattatore d'inversione (14) e le morse di inversione (13)
 1. Posizionare la levigatrice su una superficie piana sicura, come un banco da lavoro
 2. Centrare l'adattatore d'inversione sull'impugnatura anteriore (1) e girare la levigatrice a testa in giù in modo che poggi sull'adattatore (Immagine A)
 3. Fissare la levigatrice alla superficie di lavoro inserendo le morse di inversione nei fori di fissaggio della levigatrice, posizionando le impugniture di plastica sotto la superficie del tavolo (Immagine B)
 4. Fissare i galletti sulle morse d'inversione per fissare la levigatrice saldamente alla superficie

Svuotamento del sacchetto della polvere

ATTENZIONE: Spegnere sempre e scollegare dalla rete di alimentazione prima di staccare il sistema di aspirazione.

1. Rimuovere il sacchetto (12) afferrando il collo e tirando la borsa dalla presa di aspirazione (4)
2. Aprire la busta, svuotare e rimontare (vedi "Montaggio del sacchetto di polvere")

NB: Se la polvere di levigatura contiene sostanze nocive, come ad esempio particelle vecchie pitture, vernici, rivestimenti superficiali ecc., smaltire sempre secondo le leggi e i regolamenti locali e nazionali.

ATTENZIONE: Per una rimozione ottimale della polvere, svuotare il sacco della polvere quando è pieno per più di due terzi.

Accessori

- Una gamma di accessori e materiali di consumo, tra cui nastri abrasivi 75 x 533 mm grana 40, nastri abrasivi 75 x 533 grana 120 e blocchi di pulizia per nastro abrasivo sono disponibili presso i rivenditori Silverline. Pezzi di ricambio possono essere ordinati su tools.paresonline.com

Manutenzione

⚠ATTENZIONE: Scollegare SEMPRE dalla rete elettrica prima di effettuare qualsiasi ispezione, manutenzione o pulizia.

Sostituzione della cinghia di trasmissione

1. Una cinghia di trasmissione di ricambio viene fornita con questo utensile. Se fosse necessario sostituire la cinghia.
2. Posizionare la levigatrice sul suo fianco, con il coperchio dell'alloggiamento cinghia (5) rivolto verso l'alto
3. Rimuovere le viti di fissaggio del coperchio dell'alloggiamento cinghia e rimuovere il coperchio per rivelare la cinghia e le marce
4. Rimuovere la vecchia cinghia di trasmissione e montare la nuova cinghia di trasmissione facendola scorrere al di sopra l'ingranaggio più grande e poi sul più piccolo. Garantire che i denti si siedano all'interno delle scanalature sugli ingranaggi

Ispezione generale

- Controllare regolarmente che tutte le viti di fissaggio siano serrate. Queste possono vibrare, allentandosi nel tempo
- Prima di ogni utilizzo, verificare che il cavo di alimentazione dell'utensile non sia danneggiato o usurato. Le riparazioni devono essere effettuate presso un centro di assistenza autorizzato. Questo consiglio vale anche per i cavi di prolunga usati con questo utensile

Pulizia

- •Mantenere l'utensile sempre pulito. Sporczia e polvere possono causare l'usura di parti interne e ridurre la durata della macchina. Pulire il corpo della macchina con una spazzola morbida o un panno asciutto. Se disponibile, utilizzare aria compressa pulita ed asciutta e farla soffiare attraverso i fori di ventilazione
- Pulire il corpo dell'utensile con un panno morbido inumidito con un detergente delicato. Non usare alcol, benzina o detersivi aggressivi
- Non utilizzare agenti caustici per la pulizia delle parti in plastica

Lubrificazione

- Lubrificare leggermente tutte le parti in movimento a intervalli regolari con uno spray lubrificante adatto

Spazzole

- Nel corso del tempo le spazzole all'interno potrebbero usurarsi
- Spazzole eccessivamente usurate possono causare la perdita di potenza, guasti intermittenti o scintille visibili
- Se si sospetta che le spazzole possano essere usurate, farle sostituire presso un centro di assistenza autorizzato Silverline

Conservazione

- Conservare questo utensile con cura in un luogo sicuro, asciutto e lontano dalla portata dei bambini.

Smaltimento

Rispettare sempre le normative nazionali per lo smaltimento di elettrodomestici che non sono più funzionali e non sono atti alla riparazione.

- Non gettare utensili elettrici o apparecchiature elettriche ed elettroniche (RAEE) con i rifiuti domestici
- Contattare l'autorità locale di smaltimento rifiuti per informazioni sul modo corretto di smaltire gli utensili elettrici

Risoluzione dei problemi

Problema	Possibile Causa	Soluzione
Nessuna funzione quando viene azionato l'interruttore On/Off (7)	Assenza di alimentazione	Controllare l'alimentazione
	Interruttore On/Off difettoso	Far sostituire l'interruttore On/Off da un centro di assistenza autorizzato Silverline
La levigatrice tira al lato durante il funzionamento	Nastro abrasivo non centrato	Regolare il regolatore della cinghia di trasmissione (6) per allineare la cinghia. Se il problema persiste, rimontare la cinghia come indicato in "Installazione di un nastro abrasivo"
	Nastro abrasivo allentato	Assicurarsi che la leva di rilascio nastro (10) sia chiusa. Se il problema persiste, rimontare la cinghia come indicato in "Installazione di un nastro abrasivo"
Si sentono "fischi" o c'è una perdita intermittente di potenza durante la levigatura	Cinghia di trasmissione usurata	Sostituire la cinghia di trasmissione come indicato in "Sostituzione della cinghia di trasmissione"
La levigatrice a nastro è accesa nonostante il grilletto On/Off non sia abbassato	Pulsante di blocco (2) attivato	Per fermare la macchina, premere e rilasciare il grilletto On/Off

Garanzia Silverline Tools

Questo prodotto Silverline è protetto da una garanzia di 3 anni

Per attivare la garanzia di 3 anni è necessario registrare il prodotto sul sito www.silverlinetools.com entro 30 giorni dalla data d'acquisto. La data d'inizio del periodo di garanzia corrisponde alla data d'acquisto riportata sullo scontrino di vendita.

Registrazione dell'acquisto

Accedere al sito: silverlinetools.com e selezionare il tasto registra per inserire:

- Dati personali
- Informazioni sul prodotto

Una volta che queste informazioni sono state inserite, il vostro certificato di garanzia sarà inviato per posta elettronica nel formato PDF. Si prega di stampare e conservare il Certificato insieme alla ricevuta d'acquisto.

Termini e condizioni

Il periodo di garanzia decorre dalla data dell'acquisto presso il rivenditore indicata sulla ricevuta d'acquisto.

SI PREGA DI CONSERVARE LA RICEVUTA D'ACQUISTO

Nel caso in cui il prodotto risultasse difettoso entro 30 giorni dalla data d'acquisto, sarà necessario restituirlo al punto vendita presso cui è stato acquistato, presentando la ricevuta e spiegando chiaramente la natura del difetto riscontrato. Il prodotto difettoso sarà sostituito o sarà rimborsato l'importo d'acquisto.

Nel caso in cui il prodotto risultasse difettoso dopo 30 giorni dalla data d'acquisto, sarà necessario inviare una richiesta di indennizzo in garanzia a:

Silverline Tools Service Centre
PO Box 2988
Yeovil
BA21 1WU, GB

Le richieste di indennizzo devono essere presentate durante il periodo della garanzia.

Affinché la richiesta sia approvata, è necessario presentare anche la ricevuta d'acquisto originale, indicando il luogo e la data dell'acquisto del prodotto e il proprio nome e indirizzo.

Sarà necessario inoltre fornire una descrizione dettagliata del guasto riscontrato.

Le richieste effettuate durante il periodo di garanzia saranno verificate da Silverline Tools per stabilire se il difetto del prodotto è dovuto a problemi di materiali o di lavorazione.

Le spese di spedizione non saranno rimborsate. Tutti i prodotti devono essere spediti puliti e in condizioni tali da garantire l'esecuzione della riparazione in modo sicuro. I prodotti devono essere imballati con cura per evitare danni o lesioni durante il trasporto. Silverline Tools si riserva il diritto di non accettare prodotti spediti in condizioni non idonee o non sicure.

Le riparazioni saranno eseguite da Silverline Tools o da un centro di riparazione autorizzato.

La riparazione o la sostituzione del prodotto non estende o rinnova il periodo di garanzia.

Nel caso in cui determini che il prodotto e il difetto riscontrato sono coperti dalla garanzia, Silverline Tools provvederà a riparare l'utensile

gratuitamente (esclusi i costi di spedizione) o, a propria discrezione, a sostituirlo con un nuovo utensile.

Gli utensili o le parti trattenuti da Silverline Tools in cambio di un prodotto o componente sostitutivo diventano proprietà di Silverline Tools.

La riparazione o la sostituzione di un prodotto in garanzia estende i diritti del consumatore previsti per legge, senza modificarli.

Cosa copre la garanzia:

La riparazione del prodotto, nel caso in cui Silverline Tools determini che il problema sia dovuto a difetti dei materiali o difetti di lavorazione riscontrati durante il periodo della garanzia.

Nel caso in cui un componente non sia più disponibile o fuori produzione, Silverline Tools si riserva il diritto di sostituirlo con un componente adeguato.

Prodotti acquistati e utilizzati all'interno dell'Unione Europea.

Cosa non copre la garanzia:

La Garanzia Silverline Tools non copre le riparazioni se il difetto è stato causato da:

La normale usura dei componenti per via dell'utilizzo del prodotto come indicato nelle istruzioni d'uso (ad esempio, lame, spazzole, cinghie, lampadine, batterie, ecc.).

La sostituzione di accessori forniti a corredo, come ad esempio punte, lame, fogli abrasivi, dischi di taglio e altri componenti correlati.

I danni accidentali, causati dall'uso improprio, dall'abuso e dalla manipolazione, conservazione e cura inadeguata dell'utensile da parte del proprietario.

L'uso del prodotto per fini non domestici.

La modifica o alterazione del prodotto.

Difetti causati dall'uso di parti e accessori che non siano componenti originali Silverline Tools.

Installazione difettosa (fatto salvo quando l'installazione viene eseguita da Silverline Tools).

Riparazioni o alterazioni eseguite da terze parti che non siano la Silverline Tools o i centri di riparazione autorizzati da quest'ultima.

Richieste diversi dal diritto alla correzione degli errori con lo strumento denominato in queste condizioni di garanzia non sono coperti dalla garanzia.

Inleiding

Hartelijk dank voor de aanschaf van dit Silverline gereedschap. Deze instructies bevatten informatie die u nodig hebt voor een veilige en doeltreffende bediening van dit product. Dit product heeft unieke kenmerken. Zelfs als u bekend bent met gelijksortige producten dient u deze handleiding zorgvuldig door te lezen, zodat u in staat bent alle voordelen te benutten. Houd deze handleiding bij de hand en zorg ervoor dat alle gebruikers van dit gereedschap de handleiding hebben gelezen en volledig hebben begrepen.

Beschrijving symbolen

Op het gegevensplaatje van uw gereedschap kunnen zich symbolen bevinden. Deze vertegenwoordigen belangrijke productinformatie en gebruiksinstructies.



- Draag gehoorbescherming
- Draag een veiligheidsbril
- Draag een stofmasker
- Draag een veiligheidshelm



- Draag handschoenen



- Lees de handleiding



- Klasse II constructie
(Dubbel geïsoleerd voor extra bescherming)



- Voorzichtig!



- Voldoet aan de relevante wetgeving en veiligheidsnormen



- Milieubescherming**
Elektrische producten mogen niet worden afgevoerd met het normale huisvuil. Indien de mogelijkheid bestaat, dient u het product te recyclen. Vraag uw gemeente of winkelier om advies betreffende recycling

Technische afkortingen en symbolen

V	Volt
~, AC	Wisselspanning
A	Ampère
n	Snelheid
Hz	Hertz
W, kW	Gelijkspanning
/min or min ⁻¹	Operaties per minuut

Specificaties

Spanning:	230 V~, 50 Hz
Vermogen:	810 W
Onbelaste snelheid:	250 m/min
Afmetingen schuurband (B x L):	76 x 533 mm
Snoerlengte:	1,8 m
Beschermingsklasse:	
IP-code:	IPX0
Gewicht:	2,9 kg

De geluidsintensiteit voor de bediener kan 85 dB(A) overschrijden en de gehoorbescherming is noodzakelijk.

Geluid en trilling:

Geluidsdruk L_{A2} :	101,4 dB(A)
Geluidsvermogen L_{WA} :	90,4 dB(A)
Onzeikerheid K_1 :	3 dB
Gewogen trilling a_{hh} (hoofdhandvat):	1,890 m/s ²
Onzeikerheid:	1,5 m/s ²

Met het oog op onze aanhoudende productontwikkeling kunnen de specificaties van Silverline producten zonder voorafgaande kennisgeving worden gewijzigd.

WAARSCHUWING: Bij een geluidsintensiteit van 85 dB(A) of hoger is het dragen van gehoorbescherming en het limiteren van de blootstellingstijd vereist. Bij oncomfortabel hoge geluidsniveaus, zelfs met het dragen van gehoorbescherming, stopt u het gebruik van de machine onmiddellijk. Controleer de pasvorm en het geluiddempniveau van de bescherming.

WAARSCHUWING: Blootstelling aan trilling resulteert mogelijk in gevoelloosheid, tinteling en een verminderd gripvermogen. Langdurige blootstelling kan leiden tot chronische condities. Limiteer de blootstellingsduur en draag anti-vibratie handschoenen. Vibratie heeft een grotere invloed op handen met een temperatuur lager dan een normale, comfortabele temperatuur. Maak gebruik van de informatie in de specificaties voor het berekenen van de gebruiksduur en frequentie van de machine.

Geluids- en trillingsniveaus in de specificaties zijn bepaald in overeenstemming met internationale normen. De waarden gelden voor een normaal gebruik in normale werkomstandigheden. Een slecht onderhouden, onjuist samengestelde of onjuist gebruikte machine produceert mogelijk hogere geluids- en trillingsniveaus. www.osha.europa.eu biedt informatie met betrekking tot geluids- en trillingsniveaus op de werkplek wat mogelijk nuttig is voor regelmatige gebruikers van machines.

Algemene veiligheid

WAARSCHUWING Lees alle **bediening- en veiligheidsvoorschriften**. *Het niet opvolgen van alle veiligheidsafwijkingen die hieronder vermeld staan, kan resulteren in een elektrische schok, brand en/of ernstig letsel.*

WAARSCHUWING De machine is niet geschikt voor gebruik door personen met een verminderde mentale of fysieke gesteldheid of een gebrek aan ervaring, tenzij de persoon wordt begeleid of geïnstrueerd door een persoon verantwoordelijk voor de veiligheid

Bewaar deze voorschriften voor toekomstig gebruik.

De term "elektrisch gereedschap" in alle hieronder vermelde waarschuwingen heeft betrekking op uw elektrische gereedschap dat op de stroom is aangesloten (met een snoer) of met een accu wordt gevoed (snoerloos).

1) Veiligheid in de werkruimte

- a) **Houd de werkruimte schoon en zorg voor een goede verlichting.** *Rommelige en donkere ruimtes leiden vaak tot ongelukken.*
- b) **Werk niet met elektrisch gereedschap in explosieve omgevingen, bijvoorbeeld in de aanwezigheid van ontvlambare vloeistoffen, gasen of stof.** *Elektrisch gereedschap brengt vonken teweeg die stof of dampen kunnen doen ontbranden.*
- c) **Houd kinderen en omstanders uit de buurt wanneer u elektrisch gereedschap bedient.** *Door afleiding kunt u de controle over het gereedschap verliezen.*

2) Elektrische veiligheid

- a) **De stekkers van het elektrische gereedschap moeten passen bij het stopcontact.** *Pas de stekker niet aan. Gebruik geen adapterstekkers bij geaard elektrisch gereedschap. Het gebruik van ongewijzigde stekkers en passende stopcontacten vermindert het risico op een elektrische schok.*
- b) **Vermijd lichamelijk contact met geaarde oppervlakken zoals pijpen, radiatoren, fornuizen en koelkasten.** *Het risico op een elektrische schok neemt toe als uw lichaam geaard wordt.*
- c) **Laat elektrisch gereedschap niet nat worden.** *Wanneer elektrisch gereedschap nat wordt, neemt het risico op een elektrische schok toe.*
- d) **Beschadig het snoer niet.** *Gebruik het snoer nooit om het elektrisch gereedschap te dragen, te trekken of om de stekker uit het stopcontact te trekken. Houd het snoer uit de buurt van hitte, olie, scherpe randen of bewegende delen. Een beschadigd of in de knoop geraakt snoeren verhoogt het risico op een elektrische schok toe.*
- e) **Wanneer u elektrisch gereedschap buiten gebruikt, maak dan gebruik van een verlengsnoer dat geschikt is voor gebruik buitenshuis.** *Gebruik een verlengsnoer dat geschikt is voor gebruik buitenshuis om het risico op een elektrische schok te verminderen.*
- f) **Indien het onoverzichtelijk is elektrisch gereedschap te gebruiken in een vochtige omgeving, gebruik dan een energiebron met een aard lek beveiliging (Residual Currenty Device).** *Het gebruik van een RCD vermindert het risico op een elektrische schok.*

g) WAARSCHUWING: Wanneer de machine in Australië of Nieuw-Zeeland gebruikt wordt, moet een lekstroom van 30 mA of lager, is het gebruik van een aardlekschakelaar aanbevelen

3) Persoonlijke veiligheid

- a) **Blijf alert en gebruik uw gezonde verstand wanneer u elektrisch gereedschap bedient.** *Gebruik het elektrisch gereedschap niet wanneer u vermoed bent of onder invloed van drugs, alcohol of medicijnen. Onoplettendheid tijdens het bedienen van elektrisch gereedschap kan leiden tot ernstig letsel.*
- b) **Maak gebruik van persoonlijke bescherming.** *Drag altijd een veiligheidsbril. Passende bescherming voor de omstandigheden, zoals een stofmasker, niet-slippende veiligheidschoenen en helm of gehoorbescherming, vermindert het risico op persoonlijk letsel.*
- c) **Zorg ervoor dat het apparaat niet per ongeluk wordt gestart.** *Controleer of de schakelaar in de 'uit' stand staat voordat u de stekker in het stopcontact steekt. Het dragen van elektrisch gereedschap met uw vinger op de schakelaar of het aansluiten op de stroom van elektrisch gereedschap met de schakelaar ingeschakeld kan tot ongelukken leiden.*
- d) **Verwijder alle stel- of moersleutels voordat u het elektrische gereedschap inschakelt.** *Een moer- of stelsleutel die zich op een draaiend onderdeel van het elektrische gereedschap bevindt, kan leiden tot letsel.*
- e) **Reik niet te ver. Blijf altijd stevig en in balans staan.** *Zo houdt u meer controle over het elektrische gereedschap in onverwachte situaties.*
- f) **Drag geschikte kleding.** *Drag geen loshangende kleding of sieraden. Houd haren, kleding en handschoenen uit de buurt van bewegende delen. Loshangende kleding, sieraden en los hangende haren kunnen vast komen te zitten in bewegende delen.*
- g) **Als er onderdelen voor stofafvoer- of stofverzameling worden meegeleverd, sluit deze dan aan en gebruik deze op de juiste wijze.** *Het gebruik van deze onderdelen kan het risico op stofgerelateerde ongelukken verminderen.*
- 4) **Gebruik en verzorging van elektrisch gereedschap**
 - a) **Forceer elektrisch gereedschap niet.** *Gebruik elektrisch gereedschap dat geschikt is voor het werk dat u wilt uitvoeren. Geschikt elektrisch gereedschap werkt beter en veiliger op een passende snelheid.*
 - b) **Gebruik het elektrische gereedschap niet als de schakelaar het apparaat niet in- en uitschakelt.** *Elektrisch gereedschap dat niet bediend kan worden met de schakelaar is gevaarlijk en moet gerepareerd worden.*
 - c) **Haal de stekker uit het stopcontact voordat u instellingen aanpast, toebehoren verwisselt of het elektrische gereedschap opbergt.** *Dergelijke voorzorgsmaatregelen verminderen het risico op het per ongeluk starten van het elektrische gereedschap.*

- d) **Berg elektrisch gereedschap dat niet in gebruik is op buiten bereik van kinderen en laat mensen die niet bekend zijn met het elektrische gereedschap of met deze instructies het elektrische gereedschap niet bedienen.** *Elektrisch gereedschap is gevaarlijk in de handen van onervaren gebruikers.*
- e) **Onderhoud uw elektrisch gereedschap.** *Controleer op foutieve uitlijning of het vastslaan van bewegende delen, gebroken onderdelen en elke andere afwijking die de werking van het elektrische gereedschap zou kunnen beïnvloeden. Indien het elektrische gereedschap beschadigd is, moet u het laten repareren voordat u het weer gebruikt. Veel ongelukken worden veroorzaakt door slecht onderhouden elektrisch gereedschap.*
- f) **Houd snijwerktuigen scherp en schoon.** *Goed onderhouden snijwerktuigen met scherpe messen slaan minder snel vast en zijn gemakkelijker te bedienen.*
- g) **Gebruik het elektrische gereedschap, toebehoren en onderdelen, etc. volgens deze instructies en volgens bestemming voor het specifieke type elektrisch gereedschap, en houd daarbij rekening met de werkomstandigheden en het uit te voeren werk.** *Gebruik van elektrisch gereedschap voor werkzaamheden die verschillen van die waarvoor het apparaat bestemd is, kan leiden tot gevaarlijke situaties.*
- 5) **Onderhoud**
 - a) **Laat uw elektrische gereedschap onderhouden door een gekwalificeerde vakman en gebruik alleen identieke vervangstukken.** *Zo bent u er zeker van dat de veiligheid van het elektrische gereedschap gewaarborgd blijft.*

Veiligheid schuurmachines

WAARSCHUWING: Houdt de machine bij de geïsoleerde handvaten vast. Wanneer de machine door een stroom snoer schuurt komen onderdelen mogelijk onder stroom te staan wat kan resulteren in elektrische schok.

WAARSCHUWING: Klem het werkstuk op een stevige werkbank vast. Wanneer u het werkstuk met de hand vasthoudt of tegen uw lichaam klemt, verliest u mogelijk de controle over de machine.

- a) **Drag te allen tijde de juiste bescherming.** *Drag een stofmasker (minimale beschermingswaarde FFP2), veiligheidsbril en gehoorbescherming*
- b) **Het is de verantwoordelijkheid van de gebruiker om ervoor te zorgen dat personen die zich in de nabijheid van de werkruimte bevinden ook met de gepaste persoonlijke bescherming zijn uitgerust**
- c) **Neem speciale voorzorgen bij het schuren van bepaalde houtsoorten (zoals beuk, eik, mahonie en teak), omdat het stof dat daarbij vrijkomt giftig is en bij bepaalde personen extreme reacties kan teweegbrengen**
- d) **Bewerk geen metaal wat asbest bevat.** *Neem contact op met een gekwalificeerd persoon wanneer u enigszins onzeker bent of materiaal asbest bevat*
- e) **Schuur geen magnesium of legeringen met een hoog magnesiumgehalte**
- f) **Ben bewust van verf op andere behandelingen op het te schuren materiaal.** *Vele behandelingen produceren schadelijk zaagsel. Bij werkzaamheden aan een gebouw van vóór 1960 is de kans op loodhoudende verf groter.*
- g) **Het stof dat vrijkomt bij het afschuren van loodhoudende verf is vooral gevaarlijk voor kinderen, zwangere vrouwen en personen met hoge bloeddruk.** *Laat deze personen de werkplaats niet betreden, zelfs niet met de juiste beschermende kleding*
- h) **Gebruik wanneer mogelijk een stofafzuigstelsysteem om stof en afval onder controle te houden**
- i) **Wees vooral voorzichtig wanneer u de machine voor zowel het schuren van hout als het schuren van metaal gebruikt.** *Vonken van de metaalbewerking kunnen houtschuurstof gemakkelijk doen ontbranden. Maak uw machine altijd grondig schoon om de kans op brand te verkleinen*
- j) **De stofzak dient tijdens gebruik regelmatig, en na elk gebruik geleegd te worden.** *Zaagsel is mogelijk een explosierisico. Gooi zaagsel niet in open vuur. Wanneer stofdeeltjes in contact komen met water of olie/deeltjes ontstaat mogelijk spontane ontbranding*
- k) **Werkvlakken en schuurpapier kunnen tijdens het gebruik erg heet worden.** *Leg het werk even stil als het werkvlak tekenen van brand (rook of as) vertoont, en laat het materiaal afkoelen. Raak het werkvlak of schuurpapier niet aan voordat het is afgekoeld.*
- l) **Raak het bewegende schuurpapier niet aan**
- m) **Schakel de machine uit voordat u het neerlegt**
- n) **Gebruik geen nat schuurpapier.** *Vloeistoffen gaan mogelijk de motor in wat kan resulteren in elektrische schok*
- o) **Ontkoppel de machine van de stroomtoevoer voor het maken van enige aanpassingen en/of het verwisselen van schuurpapier**
- p) **Zelfs wanneer het gereedschap gebruikt wordt zoals is voorgeschreven, is het niet mogelijk alle resterende risicofactoren te elimineren.** *Gebruik de machine bij enige twijfel niet*

Onderdelenlijst

1	Voorhandvat
2	Aan-stand vergrendelknop
3	Achter handvat
4	Stofpoort
5	Aandrijfriem beschermkap
6	Schuurband stelwiel
7	Aan/uit trekker schakelaar
8	Voorroller
9	Schuurvoet
10	Band verloshendel
11	Framegleuven
12	Stofzak
13	Omkeerklemmen
14	Omkeeradapter

Accessoires (niet weergegeven)

- 1 x 100 korrelgrote schuurband

Gebruiksdoel

Bandschuurmachine voor lichte tot middel zware schuurwerkzaamheden. Te gebruiken op zachte en harde houtsoorten en gelijksoortige materialen

Het uitpakken van uw gereedschap

- Pak uw toestel / gereedschap uit. Inspecteer het en zorg dat u met alle kenmerken en functies vertrouwd raakt
- Controleer of alle onderdelen aanwezig zijn en in goede staat verkeren. Als er onderdelen ontbreken of beschadigd zijn, zorg dan dat deze vervangen worden voor u dit toestel / gereedschap gebruikt

Voor gebruik

⚠ WAARSCHUWING: Ontkoppel de machine van de stroombron voordat u accessoires wisselt of enige aanpassingen maakt.

Het opzetten van een schuurband

1. Plaats de schuurmachine ondersteboven op de werktafel of een soortgelijk plat oppervlak
2. Trek de schuurband verloshendel (10) uit. Dit trekt de voorste rolcilinder (8) iets naar voren zodat de schuurband verslapt. De versleten band kan nu verwijderd worden.
3. Zet de nieuwe schuurband op de machine. Houdt de band recht op de rolcilinders
4. Sluit de verloshendel. De schuurband hoort nu strak over de cilinders te zitten
5. Wanneer de schuurband op de schuurmachine zit, is het wellicht noodzakelijk om de voorste rolcilinder (6) te verstellen zodat de band soepel loopt
6. Houdt de machine ondersteboven op de werkbank en stop de stekker in het stopcontact
7. Houdt de machine stevig bij het achterste handvat (3) vast en zet de machine aan door de aan-/uitschakelaar (7) in te drukken. Controleer of de band geen zijwaartse bewegingen maakt
8. Draai, indien nodig, het stelwiel in wijzerzin wanneer de band naar links vermeld moet worden, of in tegenwijzerzin wanneer de band naar rechts vermeld moet worden totdat deze soepel loopt
9. Koppel de schuurmachine los van de voeding.

Het aansluiten van de stofzak

- Druk de stofzak (12) op de stofpoort (4)
- Voor het behouden van een efficiënte stofontginning, leegt u de zak voordat deze twee derde vol zit

Gebruik

⚠ WAARSCHUWING: Bij het gebruik van de machine is het dragen van de geschikte beschermende uitrusting, waaronder een stofmasker en gehoorbescherming aanbevolen.

Het IN- EN uitschakelen van de machine

- Knijp de trekker schakelaar (7) in om de machine in te schakelen. Om de machine uit te schakelen laat u de trekker schakelaar los
 - Voor verlengd gebruik vergrendeld u de trekker schakelaar in de aan-stand
1. Knijp de trekker schakelaar in en druk de aan-stand vergrendelknop (2) in, om de machine in de aan-stand te vergrendelen
 2. Door de schakelaar weer in te knijpen en los te laten, schakelt u de schuurmachine uit

Schuren

- Zorg ervoor dat het materiaal niet kan bewegen of verschuiven voordat u met schuren begint. Gebruik zo nodig klemmen en houd de machine met beide handen vast
 - Begin, om een afwerking van hoge kwaliteit te bereiken, met een schuurpapier met grove korrel en schakel geleidelijk over op papier met een fijnere korrelgrootte totdat de gewenste afwerking is bereikt
 - Zorg er voor dat de schakelaar (7) in de 'uit'-stand staat en dat de schuurband goed is gemonteerd alvorens de machine op de netvoeding aan te sluiten
1. Stop de stekker van de schuurmachine in het stopcontact
 2. Houd de schuurmachine boven het werkkoppervlak en zet ze aan. Druk de aan/uit- schakelaars in en laat de schuurband volledig op snelheid komen
 3. Houd de machine stevig vast en laat ze op het werkkoppervlak zakken. Tracht met de nerf van het hout mee te schuren om het werkkoppervlak niet onnodig te beschadigen, en houd de bewegingsrichting van de schuurband parallel aan de nerf van het hout
 4. Beweeg de schuurmachine langzaam over het werkkoppervlak totdat de gewenste hoeveelheid materiaal is verwijderd
 5. Haal de schuurmachine altijd van het materiaaloppervlak alvorens de motor stil te zetten
 6. Zorg ervoor dat de motor volledig tot stilstand is gekomen voordat u de machine neerzet
 7. Trek de stekker van de machine uit het stopcontact alvorens haar onbeheerd achter te laten

Schuren

- Zorg ervoor dat het materiaal niet kan bewegen of verschuiven voordat u met schuren begint. Gebruik zo nodig klemmen en houd de machine met beide handen vast
 - Begin, om een afwerking van hoge kwaliteit te bereiken, met een schuurpapier met grove korrel en schakel geleidelijk over op papier met een fijnere korrelgrootte totdat de gewenste afwerking is bereikt
 - Zorg er voor dat de schakelaar (7) in de 'uit'-stand staat en dat de schuurband goed is gemonteerd alvorens de machine op de netvoeding aan te sluiten
1. Sluit de machine op de stroombron aan
 2. Houd de schuurmachine boven het werkkoppervlak en zet deze aan. Knijp de aan/uit trekker schakelaar in en laat de schuurband volledig op snelheid komen
 3. Houd de machine stevig vast en laat deze op het werkkoppervlak zakken. Tracht met de nerf van het hout mee te schuren om het werkkoppervlak niet onnodig te beschadigen, en houd de bewegingsrichting van de schuurband parallel aan de nerf van het hout
 4. Beweeg de schuurmachine langzaam over het werkkoppervlak totdat de gewenste hoeveelheid materiaal verwijderd is
 5. Haal de schuurmachine altijd van het materiaaloppervlak voordat u de motor uit zet
 6. Zorg ervoor dat de motor volledig tot stilstand is gekomen voordat u de machine neerzet
 7. Ontkoppel de machine van de stroombron voordat deze onbeheerd achter laat

Het gebruik van de machine wanneer omgekeerd

- Met gebruik van de omkeerklemmen en omkeeradapter (14+13) is de machine ondersteboven te gebruiken
1. Plaats de machine op een vlak oppervlak als een werkbank
 2. Centreer de omkeeradapter op het voorhandvat (1) en draai de machine om zodat deze op de omkeeradapter rust
 3. Klem de machine op de werkbank door de omkeerklemmen in de bevestigingsgaten van de schuurmachine te plaatsen, met de plastic grips onder het tafelblad
 4. Draai de vleugelmoeren op de omkeerklemmen vast om de machine te vergrendelen

Het legen van de stofzak

WAARSCHUWING: Schakel de machine uit en ontkoppel deze van de stroombron voordat u de stofzak ontkoppeld

1. Houd de stofzak (12) bij de nek vast en trek deze van de stofpoort (4)
2. Open de stofzak, leeg de zak en bevestig de zak terug op de eenheid (zie 'het bevestigen van de stofzak')

Let op: Wanneer het schuursel schadelijke deeltjes bevat als oude verf, vernis, coatings, etc., verwijderd u het schuursel volgens de plaatselijke wetten en regulaties

WAARSCHUWING: Voor een optimale stofontginning leegt u de zak voordat deze halfvol is

Accessoires

- Verschillende accessoires en verbruiksmiddelen, waaronder 40 en 120 korrelgrote schuurbanden en schuurband schoonmaakblokken, zijn verkrijgbaar bij uw Silverline handelaar. Reserve onderdelen zijn verkrijgbaar op toolsparsonline.com. Reserveonderdelen kunnen verkregen worden via www.toolsparsonline.com.

Onderhoud

⚠ WAARSCHUWING: Ontkoppel de machine van de stroombron voordat u de machine schoonmaakt of enig onderhoud uitvoert

Het vervangen van de aandrijfriem

- Een reserve-aandrijfriem wordt met het gereedschap meegeleverd. Indien de aandrijfriem vervangen moet worden:
1. plaats u de schuurmachine op haar zijde, met de beschermkap (5) van de aandrijfriem omhoog gericht
 2. verwijderd de twee schroeven die de beschermkap van de aandrijfriem op haar plaats houden, en verwijderde beschermkap om de aandrijfriem en overbrengingen bloot te leggen
 3. verwijderde oude aandrijfriem en brengen de nieuwe aan door deze in een lus over het grotere wiel te leggen en vervolgens over het kleinere wiel. Zorg ervoor dat de tanden in de groeven van de tandwielen vallen.

Algemene inspectie

- Controleer regelmatig dat alle bevestigingsschroeven strak zijn aangespannen
- inspecteer het snoer van het gereedschap voor elk gebruik op eventuele schade of slijtage. Reparaties dienen uitgevoerd te worden door een geautoriseerd Silverline servicecentrum. Dit geldt ook voor verlengsnoeren dimethyl gereedschap gebruikt worden.

Schoonmaak

- Houd uw machine te allen tijde schoon. Vuil en stof doen de interne onderdelen snel slijten, wat de levensduur aanzienlijk vermindert. Maak de machine met een zachte borstel of droge doek schoon. Gebruik wanneer mogelijk zuivere, droge perslucht om door de luchtgaten te blazen
- Maak de behuizing met een vochtige doek en een licht schoonmaakmiddel schoon. Gebruik geen alcohol, benzine of hardnekkig schoonmaakmiddel
- Gebruik geen bijtende stoffen voor het schoonmaken van plastic onderdelen

Smeren

- Smeer alle bewegende onderdelen regelmatig met een geschikt smeermiddel

Koolstofborstels

- Na verloop van tijd zullen de koolborstels in de motor verslijten
- Bij overmatige slijtage van de borstels verliest de motor mogelijk vermogen, start het niet meer, en/ of produceert het overmatig vonken
- Wanneer u vermoedt dat de borstels versleten zijn, laat u deze bij een erkend servicecenter vervangen

Opberging

- Berg de machine op een droge en veilige plek, buiten het bereik van kinderen op

Verwijdering

Bij de verwijdering van elektrische machines neemt u de nationale voorschriften in acht.

- Elektrische en elektronische apparaten en accu's mogen niet met uw huishoudelijk afval worden weggegooid
- Neem contact op met uw gemeente voor informatie betreffende de verwijdering van elektrisch gereedschap

Probleemopsporing

Probleem	Mogelijke oorzaak	Oplossing
De machine werkt niet wanneer de aan/uit trekker schakelaar (7) wordt ingeknepen	Geen stroom	Controleer de stroombron
	Defecte aan/uit-schakelaar	Laat de aan/uit-schakelaar bij een geautoriseerd Silverline servicecentrum vervangen
De schuurmachine trekt opzij tijdens het gebruik	De schuurband is niet centraal aangebracht	Pas het verstelwiel (6) van de schuurband aan om de band uit te lijnen. Indien het probleem aanhoudt, dient men de band opnieuw aan te brengen zoals beschreven onder "aanbrengen van een schuurband"
	Los de schuurband	Zorg ervoor dat de verloshendel (10) van de schuurband-gesloten is. Indien het probleem aanhoudt dient men de band opnieuw aan te brengen zoals beschreven onder "aanbrengen van een schuurband"
"Piepend of jankend geluid" of af en toe verlies van vermogen tijdens het schuren	De aandrijfriem is versleten	Vervang de aandrijfriem zoals beschreven onder "vervangning van de aandrijfriem"
De bandschuurmachine draait zonder de trekker schakelaar aan te raken	De vergrendelknop (2) is geactiveerd	Om de machine te stoppen knijpt u de trekker schakelaar in en laat u deze gelijk weer los

Silverline Tools Garantie

Dit Silverline product komt met 3 jaar garantie.

Registreer dit product binnen 30 dagen van aankoop op www.silverlinetools.com om in aanmerking te komen voor 3 jaar garantie. De garantieperiode begint op de datum van aankoop op het ontvangstbewijs.

Het gekochte product registreren

Ga naar: silverlinetools.com, kies Registration (registratie) en voer het volgende in:

- Uw persoonlijke gegevens
- De gegevens van het product en de aankoop

U ontvangt het garantiebewijs in PDF-vorm. Druk het af en bewaar het bij het product.

Voorwaarden

De garantieperiode gaat in vanaf de datum van aankoop op het ontvangstbewijs.

BEWAAR HET ONTVANGSTBEWIJS OP EEN VEILIGE PLAATS

Als dit product binnen 30 dagen van de aankoopdatum een fout heeft, breng het dan naar de winkelier waar u het heeft gekocht, met uw ontvangstbewijs, en met vermelding van de details van de storing. U kunt om een nieuwe vragen of om uw geld terug.

Als dit product na de periode van 30 dagen een fout heeft, stuur het dan naar:

Silverline Tools Service Centre
PO Box 2988
Yeovil
BA21 1WU, GB

Alle claims moeten binnen de garantieperiode worden ingediend.

U moet het originele ontvangstbewijs geven met de datum van aankoop, uw naam, adres en plaats van aankoop voordat er aan kan worden gewerkt.

U moet nauwkeurige gegevens verschaffen van de fout die verholpen moet worden.

Claims die binnen de garantieperiode worden ingediend, worden door Silverline Tools nagelopen om te kijken of het probleem een kwestie is van de materialen of de fabricage van het product.

De verzendkosten worden niet vergoed. De geretourneerde items moeten voor de reparatie in een redelijk schone en veilige staat verkeren en moeten zorgvuldig worden verpakt om schade en letsel tijdens het vervoer te voorkomen. Ongeschiede en onveilige leveringen kunnen worden afgewezen.

Al het werk wordt uitgevoerd door Silverline Tools of een officiële reparatiedienst.

De garantieperiode wordt niet door de reparatie of vervanging van het product verlengd.

Defecten waarvan wij beschouwen dat ze onder de garantie vallen, worden verholpen door middel van gratis reparatie van het gereedschap (exclusief verzendingskosten) of door vervanging door een gereedschap in perfecte staat van werking.

De ingehouden gereedschappen of onderdelen die zijn vervangen, worden het eigendom van Silverline Tools.

De reparatie of vervanging van het product onder garantie zijn voordelen die bijkomstig zijn aan uw wettelijke rechten als consument, en hebben daar geen invloed op.

Wat is gedekt:

De reparatie van het product, mits naar tevredenheid van Silverline Tools kan worden vastgesteld dat de gebreken het gevolg zijn van defecte materialen of fabrieksfouten binnen de garantieperiode.

Onderdelen die niet meer verkrijgbaar zijn en die niet meer worden vervaardigd worden door Silverline Tools vervangen door een functionele vervanging.

Gebruik van dit product in de EU.

Wat niet is gedekt:

Silverline Tools geeft geen garantie op reparaties als gevolg van:

Normale slijtage veroorzaakt door gebruik in overeenstemming met de bedieningsinstructies zoals zaagbladen, borstels, riemen, gloeilampen, batterijen enz.

De vervanging van geleverde accessoires zoals boortjes, zaagbladen, schuurvellen, snijschrijven en aanverwante producten.

Accidentele schade, storingen veroorzaakt door nalatigheid in gebruik of verzorging, misbruik, verwaarlozing, onvoorzichtige bediening en hantering van het product.

Gebruik van het product voor andere doeleinden dan normaal huishoudelijk gebruik.

Alle soorten wijzigingen en modificaties van het product.

Gebruik van andere onderdelen en accessoires dan de originele onderdelen van Silverline Tools.

Defecte installatie (behalve wanneer geïnstalleerd door Silverline Tools).

Reparaties of wijzigingen die zijn uitgevoerd door anderen dan Silverline Tools of diens officiële reparatiediensten.

Behalve claims voor het recht op correctie van fouten van het gereedschap volgens de bepalingen van deze garantie zijn geen andere claims gedekt.

Wprowadzenie

Dziękujemy za zakup narzędzia marki Silverline. Zalecamy zapoznać się z niniejszymi instrukcjami: zawierają one informacje niezbędne dla bezpiecznej i wydajnej obsługi produktu. Produkt posiada szereg unikalnych funkcji, dlatego też, nawet, jeśli jesteś zaznajomiony z podobnymi produktami, przeczytanie instrukcji obsługi umożliwi Ci pełne wykorzystanie tego wyjątkowego projektu. Przechowuj niniejsze instrukcje w zasięgu ręki i upewnij się, że użytkownicy narzędzia przeczytali i w pełni zrozumieli wszystkie zalecenia.

Opis symboli

Tabela znamionowa zawiera symbole dotyczące narzędzia. Stanowią one istotne informacje o produkcie lub instrukcje dotyczące jego stosowania.



Należy nosić środki ochrony słuchu
Należy nosić okulary ochronne
Należy nosić środki ochrony dróg oddechowych
Należy używać kasku ochronnego



Należy nosić rękawice ochronne



Należy w całości przeczytać instrukcję obsługi



Class II construction (double insulated for additional protection)



Uwaga!



Urządzenie zgodne z odpowiednimi przepisami i normami bezpieczeństwa




Ochrona środowiska

Nie należy wyrzucać zużytych produktów elektrycznych wraz z odpadami komunalnymi. Jeśli jest to możliwe, należy przekazać produkt do punktu recyklingu. W celu uzyskania wskazówek dotyczących recyklingu należy skontaktować się z władzami lokalnymi lub sprzedawcą.

Kluczowe skróty techniczne

V	Wolt
~, AC	Prąd przemienny
A	Amper
n	Prędkość znamionowa
Hz	Herc
W, kW	Wat, kilowat
/min or min ⁻¹	(obrotów lub ruch postępowo zwrotny) na minutę

Dane techniczne

Napięcie elektryczne: 230 V~ 50 Hz
Moc: 810 W
Prędkość bez obciążenia: 250 m/min
Rozmiar taśmy szlifirskiej (szer. x sl.): 76 x 533 mm
Długość kabla: 1,8 m
Klasa ochrony:  IPX0
Stopień ochrony:
Waga: 2,9 kg

Poziom natężenia dźwięku dla operatora może przekroczyć 85dB(A) dlatego konieczne jest zastosowanie środków ochrony słuchu

Parametry emisji dźwięku i wibracji:

Poziom ciśnienia akustycznego L_{pA} : 101,4 dB(A)
Poziom mocy akustycznej L_{WA} : 90,4 dB(A)
Niepewność pomiaru K: 3 dB
Wartość emisji wibracji $a_{(rękojeść\ główna)}$: 0,890 m/s^2
Uncertainty K: 1,5 m/s^2

W wyniku nieprzerwanego procesu rozwojowego produktów, dane techniczne poszczególnych produktów Silverline mogą ulec zmianie bez uprzedniego powiadomienia.

OSTRZEŻENIE: Jeżeli poziom hałasu przekracza 85dB(A) należy zawsze stosować środki ochrony słuchu oraz, jeśli to konieczne, ograniczyć czas narażenia słuchu na nadmierny hałas. Jeśli poziom hałasu powoduje dyskomfort, nawet w przypadku zastosowania środków ochrony słuchu, niezwłocznie przestań korzystać z narzędzia i sprawdź czy środek ochrony słuchu jest prawidłowo zamontowany i zapewnia odpowiedni poziom tłumienia dźwięku w odniesieniu do poziomu hałasu wytwarzanego przez narzędzie.

OSTRZEŻENIE: Narażenie użytkownika na wibracje narzędzia może spowodować utratę myślu dotyku, drętwienie, mrowienie i zmniejszenie zdolności uchwytu. Długotrwałe narażenie może prowadzić do stanu przewlekłego. Jeśli jest to konieczne, ogranicz czas narażenia na wibracje i stosuj rękawice antywibracyjne. Nie korzystaj z urządzenia w trybie ręcznym w temperaturze niższej niż normalna komfortowa temperatura otoczenia, ponieważ zwiększy to efekt wywołany przez wibracje. Skorzystaj z wartości liczbowych podanych w specyfikacji dotyczącej wibracji, aby obliczyć czas trwania i częstotliwość pracy z narzędziem.

Poziom hałasu i drgań w specyfikacji określone są zgodnie z międzynarodowymi normami. Wartości te reprezentują korzystanie z urządzenia w normalnych warunkach roboczych. Niedbala konserwacja, nieprawidłowy montaż lub nieprawidłowe użytkowanie urządzenia mogą spowodować wzrost poziomu hałasu oraz wibracji. www.osha.europa.eu dostarcza informacji na temat poziomów hałasu i wibracji w środowisku pracy, które mogą być przydatne dla użytkowników prywatnych, korzystających z urządzenia przez długi czas.

Instrukcje dotyczące bezpieczeństwa

OSTRZEŻENIE Przeczytaj wszystkie ostrzeżenia i instrukcje bezpieczeństwa.

Nieprzestrzeganie ostrzeżeń i instrukcji może prowadzić do porażenia prądem, pożaru i / lub poważnych obrażeń.

OSTRZEŻENIE: Urządzenie nie jest przeznaczone do użytkowania przez osoby (w tym dzieci) o ograniczonej sprawności fizycznej lub umysłowej, lub o braku doświadczenia i wiedzy, chyba, że będą one nadzorowane lub zostaną poinformowane na temat korzystania z urządzenia przez osobę odpowiedzialną za ich bezpieczeństwo. Należy pilnować, aby dzieci nie próbowały korzystać z urządzenia, jako zabawkę.

Zachowaj wszystkie ostrzeżenia i instrukcje na przyszłość.

Termin „elektronarzędzie” odnosi się do urządzenia zasilanego siecią (przewodowego) lub urządzenia zasilanego za pomocą baterii (beprzewodowego).

1) Bezpieczeństwo obszaru pracy

a) Zadbaj o prawidłową higienę i prawidłowe oświetlenie obszaru pracy.

Zanieczyszczenie lub brak wystarczającego oświetlenia obszaru pracy mogą doprowadzić do wypadków.

b) Nie należy używać elektronarzędzi w przestrzeniach zagrożonych wybuchem, np. w obecności łatwopalnych cieczy, gazów lub pyłów. Urządzenia elektryczne wytwarzają iskry, które mogą podpalić pył lub opary.

c) Nie dopuszczaj dzieci ani innych osób do obszaru pracy elektronarzędzi. Nieuwaga może spowodować utratę kontroli.

2) Bezpieczeństwo elektryczne

a) Wtyczka elektronarzędzia musi pasować do gniazda zasilania. Nie wolno modyfikować wtyczki w żaden sposób. W przypadku elektronarzędzi z uziemieniem nie należy stosować przejściówek. Oryginalne wtyczki i pasujące gniazda zmniejszają ryzyko porażenia prądem.

b) Unikaj dotykania uzemionych powierzchni, takich jak rury, grzejniki, piece i lodówki. Uziemienie ciała powoduje zwiększenie ryzyka porażenia prądem.

c) Nie wystawiaj elektronarzędzi na działanie deszczu lub wilgoci. Przedostanie się wody do urządzenia zwiększa ryzyko porażenia prądem.

d) Nie należy nadwyrażać kabla. Nigdy nie używaj go do przenoszenia, przeciągania lub odciągania elektronarzędzia. Trzymaj przewód z dala od źródeł ciepła, oleju, ostrych krawędzi lub ruchomych części urządzenia.

Uszkodzone lub poplątane kable zwiększają ryzyko porażenia prądem.

e) W przypadku korzystania z urządzenia na wolnym powietrzu używaj przedłużacza przystosowanego do użyczenia na zewnątrz. Korzystanie z przedłużacza przystosowanego do użyczenia na zewnątrz zmniejsza ryzyko porażenia prądem.

f) W przypadku korzystania z elektronarzędzia w miejscu o dużym natężeniu wilgoci należy używać gniazda zasilania wyposażonego w wyłącznik różnicowoprądowy (RCD). Korzystanie z wyłącznika różnicowoprądowego zmniejsza ryzyko porażenia prądem.

3) Bezpieczeństwo osobiste

a) Podczas korzystania z elektronarzędzi bądź czujny, uważaj, co robisz i zachowaj zdrowy rozsądek. Nie używaj ich, gdy jesteś zmęczony albo pod wpływem narkotyków, alkoholu lub leków. Chwila nieuwagi podczas obsługi urządzenia może spowodować poważne obrażenia ciała.

b) Korzystaj ze środków ochrony osobistej. Zawsze stosuj środki ochrony oczu. Wyposażenie ochronne, takie jak maska przeciwpyłowa, obuwie robocze antypoślizgowe na szorstkiej podszewce, kask ochronny lub naszkielne ochronne używane w odpowiednich warunkach, zmniejsza ryzyko obrażeń.

c) Zapobiegaj przypadkowemu włączeniu urządzenia. Przed podłączeniem do źródła zasilania i / lub akumulatora, podnoszeniem lub przenoszeniem narzędzia, upewnij się, że przełącznik zasilania znajduje się w pozycji wyłączonej. Przenoszenie urządzenia z palcem umieszczonym na wyłączniku zasilania lub podłączenie elektronarzędzi przy włączonym przełączniku zasilania stwarza ryzyko wypadku.

d) Przed włączeniem elektronarzędzia usuń z niego wszelkie klucze regulacyjne. Narzędzie lub klucz pozostawiony w obracającej się części elektronarzędzia może spowodować obrażenia ciała.

e) Nie wychylaj się. W każdej chwili zachowuj odpowiednią pozycję i równowagę. Umożliwia to lepszą kontrolę nad elektronarzędziem w nieoczekiwanych sytuacjach.

f) Noś odpowiednią odzież. Nie zakładaj do pracy z elektronarzędziem luźnej odzieży ani biżuterii. Trzymaj włosy, odzież i rękawice z dala od ruchomych części urządzenia. Luźne ubranie, biżuteria lub długie włosy mogą zostać wciągnięte przez ruchome części urządzenia.

g) Jeśli do zestawu załączone są urządzenia do podłączenia mechanizmów odsysania i zbierania pyłu, sprawdź czy są one przyłączone i prawidłowo zamocowane. Korzystanie z urządzenia odsysającego pył może zmniejszyć zagrożenie pyłami.

4) Użytkowanie i pielęgnacja elektronarzędzi.

a) Nie należy przeciążać urządzenia. Używaj narzędzi odpowiednich do danego zastosowania. Prawidłowe narzędzie wykonana zadanie lepiej i bezpieczniej w podanym zakresie sprawności.

b) Nie należy używać urządzenia, jeśli nie można go włączyć lub wyłączyć za pomocą odpowiedniego przełącznika. Urządzenia, które nie mogą być kontrolowane za pomocą przełącznika są niebezpieczne i muszą zostać oddane do naprawy.

c) Przed dokonaniem regulacji, wymiany akcesoriów lub przechowywaniem elektronarzędzia odłącz wtyczkę od źródła zasilania i / lub akumulator od urządzenia. Te prewencyjne środki bezpieczeństwa zmniejszają ryzyko przypadkowego uruchomienia elektronarzędzia.

d) Nieużywaj elektronarzędzie przechowuj w miejscu niedostępnym dla dzieci i nie dopuszczaj do nich osób nie znających elektronarzędzi lub ich instrukcji obsługi.

Elektronarzędzia stanowią niebezpieczeństwo w rękach niedoświadczonych użytkowników.

e) Przeprowadzaj konserwację elektronarzędzi. Sprawdź urządzenie pod kątem nieprawidłowego ustawienia lub zablokowania elementów ruchomych, pęknięć części lub innych usterek, które mogą mieć negatywny wpływ na funkcjonowanie urządzenia. W przypadku usterek należy naprawić urządzenie przed ponownym użyciem. Nowościowa konserwacja elektronarzędzi jest przyczyną wielu wypadków.

f) Utrzymuj narzędzia tnące w czystości i dobrze naostrzone. Zadbane narzędzia tnące z ostrymi krawędziami tnącymi rzadziej się zaczną i łatwiej nimi sterować.

g) Używaj elektronarzędzi, akcesoria, końcówki itp. zgodnie z tymi instrukcjami, biorąc pod uwagę warunki pracy i realizowane zadania. Używanie narzędzi do wykonywania prac niezgodnych z ich przeznaczeniem może doprowadzić do niebezpiecznych sytuacji.

5) Serwis

a) Urządzenie powinno być serwisowane przez wykwalifikowaną personel naprawy przy użyciu wyłącznie oryginalnych części zamiennych. Zagwarantuje to bezpieczeństwo elektronarzędzia.

Bezpieczeństwo korzystania z urządzeń szlifierskich

OSTRZEŻENIE: Należy trzymać elektronarzędzie za izolowane uchwyty bądź same uchwyty, ponieważ pas/arkusz szlifierski może dojść do kontaktu z kablem zasilania. Przecięcie kabla pod napięciem może spowodować, że odslonięte elementy metalowe staną się przewodnikiem prądu i mogą grozić porażeniem prądu operatorem.

OSTRZEŻENIE: Należy użyć czyszczków, bądź innego sposobu do podtrzymania obrabianego elementu do stabilnej podstawy. Przytrzymanie obrabianego elementu ręką bądź ciałem, sprawia, że jest niestabilny i może to doprowadzić do utraty kontroli.

a) Zawsze należy stosować odpowiednie środki ochrony osobistej, w tym maskę przeciwpyłową przynajmniej klasy FFP2, środki ochrony oczu i ochraniacze uszu.

b) Upewnij się, że wszystkie osoby znajdujące się w pobliżu obszaru roboczego są również wyposażone w odpowiednie środki ochrony osobistej

c) Zachowaj szczególną ostrożność podczas szlifowania pewnych rodzajów drewna (takich jak buk, dąb, mahoni i drzewo tekowe), ponieważ podczas szlifowania produkowany jest toksyczny pył, który może powodować poważne reakcje organizmu

d) NIGDY nie należy próbować szlifować materiałów zawierających azbest. W razie niepewności co do rodzaju materiału, należy się skontaktować ze specjalistą.

e) NIE WOLNO szlifować magnezu lub stopów zawierających wysoki odsetek magnezu

f) Uważać na lakier wykończony w środki ochronne zastosowane na szlifowanym materiale. Wiele środków lakierowniczych może powodować wytworzenie toksycznego lub szkodliwego pyłu. W przypadku pracy wykonywanej w budynkach wzniesionych przed rokiem 1960, istnieje ryzyko, że zastosowane w nich farby zawierające ołów.

g) Pył wytwarzany podczas szlifowania farb zawierających ołów jest szkodliwy szczególnie w przypadku dzieci, kobiet w ciąży oraz osób cierpiących na nadciśnienie. Nie należy dopuszczać tych osób w pobliżu obszaru roboczego, nawet przy zastosowaniu odpowiednich środków ochrony osobistej.

h) Jeśli jest to możliwe, zaleca się korzystanie z systemu odsysania pyłu w celu zachowania kontroli nad emisjami pyłu i innych odpadów

i) Zachowaj szczególną ostrożność podczas stosowania urządzenia do szlifowania zarówno drewna, jak i metalu. Iskry wytwarzane podczas szlifowania metalu mogą łatwo podpalić drewniany pył. Należy zawsze dokładnie czyścić urządzenie, aby zmniejszyć ryzyko pożaru.

j) Należy opróżnić torbę na pył bądź pojemnik (w stosownych przypadkach) często podczas jego użytkowania, przed przewieraniem pracy, bądź po całkowitym jej skończeniu. Kurz może stać się zagrożeniem wybuchu. NIE WOLNO wyrzucać pyłu/kurzu do otwartego ognia. Spontaniczne spalanie może wystąpić w przypadku, gdy cząsteczki oleju lub wody wejdą w kontakt z cząstkami kuru. Należy zutylizować takie odpady starannie i zgodnie z lokalnymi przepisami.

k) Podczas korzystania z urządzenia powierzchnie robocze oraz papier ścierny mogą ulec znacznemu nagrzaniu. Należy niezwłocznie przerwać pracę z urządzeniem w przypadku pojawienia się śladów spalania (dymu lub popiołu) na powierzchni obrabianej i odczekać, aż materiał ostygnie. Nie wolno dotykać powierzchni przedmiotu obróbki oraz papieru ściernego, dopóki nie ostygną.

l) Nie dotykać papieru ściernego w ruchu.

m) Należy zawsze wyłączyć szlifierkę przed odłożeniem

n) NIE WOLNO stosować do szlifowania na mokro. Płyn, który dostanie się do silnika może spowodować poważne porażenie prądem.

o) Przed rozpoczęciem wymiany lub zakładania papieru ściernego należy zawsze odłączyć szlifierkę od źródła zasilania

p) Nawet wtedy, gdy urządzenie jest używane zgodnie z zaleceniami, nie jest możliwe wyeliminowanie wszystkich pozostałych czynników ryzyka rezydualnego. Nie korzystaj z urządzenia w przypadku pojawienia się wątpliwości dotyczących jego bezpiecznego użytkowania

Przedstawienie produktu

1	Przedni uchwyt
2	Przycisk blokady włącznika w poz. 'On'
3	Tylni uchwyt
4	Przylącze do odsysania pyłu
5	Oslona pasa napędowego
6	Pokrętło regulacji taśmy szlifierskiej
7	Przełącznik On/Off
8	Przednia rolka
9	Podstawa
10	Dźwignia uwolnienia taśmy szlifierskiej
11	Szczeliny ramy
12	Worek na pył
13	Klamry odwrócenia
14	Adapter odwrócenia

Akcesoria (nieprzedstawione na zdjęciu):

- 1 x Taśma szlifierska P100

Zastosowanie zgodne z przeznaczeniem

Szlifierka taśmowa przeznaczona do lekkich i średnich szlifowańi większej ilości materiału, takiego jak miękkie i twarde rodzaje drewna oraz podobnych materiałów.

Rozpakowanie narzędzia

- Ostrożnie rozpakuj i sprawdź narzędzie. Zapoznaj się z wszystkimi mechanizmami i funkcjami.
- Upewnij się, że narzędzie zawiera wszystkie części i są one w dobrym stanie. Jeśli brakuje pewnych części lub są one uszkodzone, należy uzupełnić lub wymienić je przed rozpoczęciem korzystania z narzędzia.

Przygotowanie do eksploatacji

⚠ OSTRZEŻENIE: Należy się upewnić, że urządzenie jest odłączone od źródła zasilania przed montowaniem, wymianą akcesoriów, bądź dokonaniem jakichkolwiek regulacji.

Montaż taśmy szlifierskiej

1. Umieść szlifierkę do góry nogami na stole roboczym, bądź podobnym płaskim podłożu
2. Pociągnij dźwignię uwolnienia taśmy (10). Spowoduje to schowanie przedniej rolki (8) i rozluźnienie taśmy szlifierskiej. Zużyta taśma może teraz zostać zdjęta
3. Nałóż nową taśmę szlifierską, ustawiając ją prosto na rolkach
4. Zamknij dźwignię uwolnienia taśmy. Taśma szlifierska powinna być teraz napięta i zabezpieczona
5. Po zamontowaniu taśmy, może być konieczna jej regulacja za pomocą pokrętła regulacji taśmy, (6) aby upewnić się, że taśma szlifierska działa prawidłowo
6. Trzymaj szlifierkę odwróconą i podłącz do głównego zasilania
7. Trzymaj szlifierkę pewnie za tylny uchwyt (3) i wciśnij spust włącznika/wyłącznika (7). Obserwuj wszystkie boczne ruchy pasa
8. W razie potrzeby obróć pokrętło regulacji taśmy szlifierskiej w prawo, aby przesunąć taśmę w lewo, bądź przekręć pokrętło w lewo, aby przesunąć taśmę w prawo, dopóki taśma szlifierska nie będzie prawidłowo ustawiona
9. Odłącz szlifierkę od głównego zasilania

Mocowanie worka na pył

- Nałóż worek na pył (12) na przylącze do odsysania pyłu (4)
- W celu utrzymania skutecznego procesu odsysania, nie pozwól, aby worek wypełnił się więcej niż dwie trzecie

Obsługa

⚠ OSTRZEŻENIE: ZAWSZE należy nosić okulary ochronne, odpowiednią maskę przeciwpyłową, a także nauszniki przeciwhałasowe, jak również stosowne rękawice podczas obsługi powyższego narzędzia.

Włączanie i wyłączanie

- Aby uruchomić szlifierkę, należy wcisnąć spust włączania/wyłączania (7). W celu zatrzymania urządzenia, należy zwolnić spust
- W celu nieprzerwanego użycia, przycisk on/off może zostać zablokowany w pozycji "on":
 1. Wciśnij przełącznik on/off, a następnie odcisnij przycisk blokady włącznika (2); maszyna powinna zacząć nieustanną pracę bez konieczności wciśnięcia spustu włączania/wyłączania
 2. Aby zatrzymać urządzenie należy wcisnąć, a następnie zwolnić przełącznik on/off

Szlifowanie

- Przed rozpoczęciem szlifowania, należy się upewnić, że obrabiany przedmiot jest odpowiednio zabezpieczony. W miarę możliwości należy korzystać z zacisków i zawsze trzymać obydwie ręce na urządzeniu.
- Aby osiągnąć wysoką jakość wykończenia, należy zacząć od szlifowania gruboziarnistą taśmą szlifierską, po czym pracować do momentu przejścia na drobniejsze uziarnienie taśmy, do momentu osiągnięcia zamierzonego efektu.
- Przed podłączeniem maszyny do źródła zasilania, sprawdź czy przełącznik on/off (7) znajduje się w pozycji "off", zaś taśma szlifierska prawidłowo nałożona.
 1. Podłącz szlifierkę do źródła zasilania
 2. Podnieś szlifierkę z powierzchni materiału roboczego i uruchom. Wciśnij przełącznik włączania / wyłączania i pozwól szlifierce osiągnąć pełną prędkość
 3. Utrzymuj pewny chwyt na szlifierce, po czym stopniowo zbliżaj do powierzchni materiału obróbki. Aby uniknąć niechcianego uszkodzenia powierzchni obróbki, szlifuj wzdłuż włókien drewna, wykonując równoległe, nakładające się na siebie ruchy
 4. Przesuwaj szlifierkę wzdłuż obrabianego materiału, do momentu osiągnięcia odpowiedniej ilości usuniętego materiału
 5. Przed wyłączeniem szlifierki zdejmij ją z przedmiotu obróbki.
 6. Upewnij się, że silnik całkowicie się zatrzymał przed odłożeniem urządzenia
 7. Należy zawsze odłączyć maszynę od zasilania przed pozostawieniem jej bez nadzoru

Montaż do stołu warsztatowego

- Szlifierka może być odwrócona do zastosowania na stole warsztatowym przy zastosowaniu adaptera (14) do odwrócenia (16) oraz zacisków mocujących (13)
 1. Umieść szlifierkę na płaskiej powierzchni, takiej jak stół warsztatowy
 2. Wyśrodkuj adapter odwrócenia na przednim uchwycie (1), następnie odwróć szlifierkę do góry nogami, dzięki czemu spoczywać będzie na adapterze (Zdjęcie A)
 3. Zamocuj szlifierkę do stołu roboczego za pomocą zacisków śrubowych, umieszczonych w otworach montażowych, przy jednoczesnym umieszczeniu plastikowych uchwytów pod powierzchnią stołu (Zdjęcie B)
 4. Przykręć motylkowe nakrętki na zaciskach, aby przymocować szlifierkę do powierzchni stołu

Opróżnianie torby na pył

OSTRZEŻENIE: Przed odłączeniem systemu odsysania pyłu należy ZAWSZE wyłączyć urządzenie i odłączyć je od źródła zasilania.

1. Zdejmij torbę (12) na pył chwytając szycję torby i pociągnięcie jej do siebie z przylącza do odsysania pyłu (4)
 2. Otwórz torbę opróżnij zawartość i ponownie zamontuj (patrz rozdział "Mocowanie worka na pył")
- Uwaga:** Jeśli pył pochodzący ze szlifowania zawiera substancje szkodliwe, takie jak cząsteczki starej farby, lakieru, powłok itp. należy usuwać go zgodnie z obowiązującymi przepisami.

OSTRZEŻENIE: Dla optymalnej wydajności usuwania pyłu należy opróżniać worek na pył, gdy będzie on napełniony nieco ponad połowę objętości.

Akcesoria

- Ogromny zakres akcesoriów oraz materiałów eksploatacyjnych, włączając P40 Ścierny pas bezkońcowy 75 x 533 mm, P120 Ścierny pas bezkońcowy 75 x 533 oraz Blok do czyszczenia taśmy szlifierskiej są dostępne w sprzedaży u dystrybutora Silverline. Natomiast zakup części zamiennych jest dostępny na stronie internetowej tools.parsonline.com.

Konserwacja

⚠ OSTRZEŻENIE: Przed przeprowadzeniem kontroli, czynności konserwacyjnych lub czyszczenia ZAWSZE odłączaj urządzenie od źródła zasilania.

Wymiana paska napędowego

- Jeśli istnieje potrzeba wymiany paska, należy:
 1. Umieścić szlifierkę na jednym z jej boków, z osłoną paska napędowego (S) u góry
 2. Wykręcić śrubę mocującą pokrywę paska napędowego, po czym zdejmij osłonę, w celu odkrycia paska i biegów
 3. Zdejmij stary pasek napędowy i nałóż nowy, okręcając go na większą zapadkę, a następnie mniejszą. Upewnij się, że zostały osadzone równo z rowkami kół zębatych

Rutynowa kontrola

- Regularnie sprawdzaj, czy wszystkie śruby mocujące są odpowiednio dokręcone.
- Sprawdź przewód zasilania narzędzia przed każdym użyciem pod kątem uszkodzeń lub zużycia. Naprawy powinny być przeprowadzane przez autoryzowany punkt serwisowy Silverline. Dotyczy to również przedłużaczy stosowanych przy urządzeniu.

Czyszczenie

- Należy zawsze dbać o czystość urządzenia. Brud i kurz powodują szybsze zużycie elementów wewnętrznych i skracają okres eksploatacji urządzenia. Należy czyścić korpus frezarki miękką szczotką lub suchą ścierką. Jeśli to możliwe, przedmuchać otwory wentylacyjne czystym sprężonym powietrzem
- Należy czyścić korpus urządzenia miękką szczotką lub suchą ścierką z delikatnym detergentem. Nie używaj alkoholu, benzyny, bądź innych silnych środków myjących
- Nigdy nie używaj silnych środków zrzących do czyszczenia plastikowych elementów

Smarowanie

- Należy delikatnie smarować wszystkie ruchome części urządzenia niewielką ilością środka smarnego w sprayu.

Szczotki

- Szczotki węglowe wewnątrz silnika mogą ulec zużyciu z biegiem czasu
- Nadmierne zużycie szczotek może powodować utratę mocy, sporadyczne awarie lub widoczne iskrzenie
- Jeśli podejrzewasz nadmierne zużycie szczotek, przekaż urządzenie do autoryzowanego punktu serwisowego w celu ich wymiany.

Przechowywanie

- Należy przechowywać narzędzie w bezpiecznym, suchym miejscu niedostępnym dla dzieci.

Utylizacja

Należy zawsze przestrzegać przepisów krajowych dotyczących utylizacji elektronarzędzi, które nie są już funkcjonalne i nie nadają się do naprawy.

- Nie wyrzucaj elektronarzędzi lub innych odpadów elektrycznych i elektronicznych (WEEE) wraz z odpadami komunalnymi.
- Skontaktuj się z władzami lokalnymi zajmującymi się utylizacją odpadów, aby uzyskać informacje na temat prawidłowego sposobu utylizacji elektronarzędzi

Rozwiązywanie problemów

Problem	Możliwa przyczyna	Rozwiązanie
Brak reakcji po wciśnięciu przełącznika włączanie/wyłączanie (7)	Brak zasilania	Sprawdź zasilanie
	Uszkodzony przycisk On/Off	Należy wymienić przycisk On/Off w autoryzowanym centrum serwisowym Silverline
Szlifierka przesuwa się na bok podczas pracy	Nieprawidłowo wyśrodkowana taśma szlifierska	Dostosuj pokrętko regulacji taśmy szlifierskiej (6) w celu wyrównania pasa. Jeśli problem nie ustąpił, należy ponownie zamontować taśmę szlifierską, patrz rozdział 'Montaż taśmy szlifierskiej'
	Luźna taśma szlifierska	Upewnij się, że dźwignia zwolnienia taśmy szlifierskiej (10) została bezpiecznie zamknięta. Jeśli problem nie ustąpi, należy ponownie zamontować taśmę szlifierską, patrz rozdział 'Montaż taśmy szlifierskiej'
Wydobywający się dźwięk 'pisczenia', bądź chwilowy zanik mocy podczas szlifowania	Zużyty pasek napędowy	Wymień pasek napędowy, jak przedstawiono w rozdziale 'Wymiana paska napędowego'
Taśma szlifierska pracuje pomimo nie dotykania włącznika On/Off	Aktywowany Przycisk blokady włącznika (2)	Aby zatrzymać maszynę, należy wcisnąć i zwolnić przycisk on/off

Gwarancja narzędzi Silverline

Niniejszy produkt Silverline posiada 3 letnią gwarancję

Aby zakwalifikować się do uzyskania powyższej gwarancji należy zarejestrować niniejszy produkt na stronie www.silverlinetools.com w ciągu 30 dni od daty zakupu. Okres gwarancji rozpoczyna się w dniu zakupu produktu widocznym na paragonie.

Rejestracja produktu

Rejestracji produktu można dokonać na stronie www.silverlinetools.com, wybierając przycisk „Rejestracja”. Należy wprowadzić:

- Dane osobowe
- Szczegóły dotyczące produktu oraz informacje dotyczące zakupu

Po wprowadzeniu tych informacji zostanie utworzony certyfikat gwarancji niniejszego produktu, jako dokument w formie PDF, który należy wydrukować i zachować wraz z dowodem zakupu.

Zasady i warunki

Okres gwarancji zaczyna obowiązywać od daty zakupu detalicznego znajdującej się na paragonie.

PROSIMY O ZACHOWANIE PARAGONU

Jeśli produkt wykaże jakiegokolwiek usterki w ciągu 30 dni od daty zakupu, należy go zwrócić do dystrybutora/sklepu, w którym towar zakupiono, od którego został zakupiony okazując przy tym dowód zakupu.

Jeśli usterka pojawi się po 30 dniach, należy zwrócić produkt do:

Silverline Tools Service Centre

PO Box 2988

Yeovil

BA21 1WU, UK

Roszczenia gwarancyjne należy zgłaszać w okresie gwarancji. Należy dostarczyć dowód zakupu, swoje imię i nazwisko, adres miejsca zakupu przed wykonaniem jakichkolwiek napraw.

Należy podać dokładne dane usterki wymagające naprawy.

Wnioski złożone w okresie gwarancji będą weryfikowane przez Silverline Tools, do ustalenia czy usterki są związane z materiałem lub wyrobem produktu.

Koszty transportu nie zostaną pokryte. Produkt przeznaczony do zwrotu musi być starannie oczyszczony. Należy zapakować produkt prawidłowo i bezpiecznie tak, aby nie został uszkodzony podczas transportu do nas. Możemy odrzucić roszczenia niewłaściwie dostarczonych produktów.

Wszystkie naprawy będą przeprowadzone przez firmę Silverline Tools lub agencję upoważnioną do tego.

Naprawa lub wymiana produktu nie przedłuży okresu gwarancyjnego.

Usterki uznane przez nas, jako objęte gwarancją będą poddane naprawie bezpłatnie (bez kosztów transportowych) lub poprzez wymianę na narzędzie pracujące w idealnym stanie.

Narzędzia lub części zamienne, do których wydano zamiennik staną się własnością Silverline Tools.

Naprawa lub wymiana produktu w ramach gwarancji zapewnia korzyści, które są dodatkiem i nie wpływają w żaden sposób na ustawowe prawa konsumenta.

Gwarancja pokrywa:

Naprawę produktu (w okresie gwarancji), jeśli zostanie on zakwalifikowany zgodnie z wymogami Silverline Tools w związku z usterekami, które wynikły z wad materiałowych lub wad związanych z produkcją.

Jeżeli jakaś część zastępcza nie jest już dostępna lub wycofana z produkcji, Silverline Tools zastąpi ją funkcjonalnym zamiennikiem.

Produkty używane w EU.

Czego nie pokrywa gwarancja:

Silverline Tools nie pokrywa napraw powstałych w wyniku:

- normalnego zużycia spowodowanego przez normalne użytkowanie zgodne z instrukcją obsługi, np: noże, szczotki, pasy, żarówki akumulatory itp.
- wymiany dowolnego dołączonego wyposażenia np.: noży, wiertel, papieru ściernego, tarcz do cięcia i innych podobnych elementów.
- przypadkowego uszkodzenia spowodowanego niewłaściwym użytkowaniem lub zaniedbaniem, nieostrożnym działaniem lub niestaranym obchodzeniem się z produktem.
- stosowania produktu do innych celów.
- zmiany lub modyfikacji produktu w jakikolwiek sposób.
- usterek wynikających z wykorzystania części zamiennych i akcesoriów, które nie są oryginalnymi elementami Silverline Tools.
- niewłaściwej instalacji (z wyjątkiem instalacji przeprowadzonej przez Silverline Tools).
- naprawy lub modyfikacji przeprowadzonej przez osoby inne niż z Centrum Usług Silverline Tools lub autoryzowanych punktów serwisowych.
- roszczeń innych niż związanych z usterkami ujętymi w gwarancji produktu.



GB 3 Year Guarantee. Register online within 30 days. Terms and Conditions apply.

FR Garantie de 3 ans. Enregistrez votre produit en ligne dans un délai de 30 jours suivant la date d'achat. Des conditions générales s'appliquent.

DE 3 Jahre Garantie. Innerhalb von 30 Tagen online registrieren. Es gelten die Allgemeinen Geschäftsbedingungen

ES 3 años de garantía. Registre su producto online durante los primeros 30 días. Se aplican términos y condiciones.

IT 3 anni di garanzia. Registra il tuo prodotto on-line entro 30 giorni dall'acquisto. Vengono applicati i termini e le condizioni generali.

NL 3 jaar garantie. Registreer uw product binnen 30 dagen online. Algemene voorwaarden zijn van toepassing

PL 3 Letnia Gwarancja. Zarejestruj się online w ciągu 30 dni. Obowiązują Zasady i Warunki

silverlinetools.com