



realme TechLife

realme TechLife Robot Vacuum

User Manual

RMH2101

Read this user manual carefully before using the product, and store it in a safe place.

Contents

English.....	1-22
čeština	23-44
Deutsche.....	45-66
Español.....	67-88
Français.....	89-110
Italiano.....	111-132
Nederlands.....	133-154
Polski.....	155-176

Safety Information

Usage Limitations

- The product is used for floor cleaning in a home environment only and cannot be used for outdoor (such as open terrace), non-ground (such as sofa) and commercial or industrial environment.
- Please do not use the product in midair areas (such as penthouse, open terrace and furniture top) without protective fence.
- Please do not use the product at a temperature of above 40°C or below 0°C or when there are liquids and sticky substances on the ground.
- Please hang cables on the ground before use so as to avoid being dragged by the robot.
- Please clear fragile objects and impurities (such as vase and plastic bag, etc.) on the ground so as to avoid damaging valuables when the robot is stuck or impacted slightly.
- This appliance can be used by children aged from 8 years and above and persons with reduced physical, sensory or mental capabilities or lack of experience and knowledge if they have been given supervision or instruction concerning use of the appliance in a safe way and understand the hazards involved. Children shall not play with the appliance. Cleaning and user maintenance shall not be made by children without supervision.
- Please keep main brush and other cleaning tools out of reach of children.
- Please do not place objects (including children and pets) on a stationary or moving machine.
- Please keep hair, fingers and other parts of human body or pets away from the suction inlet when the machine is works.
- Please do not use the product to sweep burning objects (such as burning cigarette end).
- Please do not use the product to clean long-haired carpet (some dark carpets may not be cleaned normally).
- Please prevent the robot from suctioning hard or sharp objects (such as waste decorative materials, glass and iron nail, etc.).
- Please do not move the machine by holding the protective cover of LiDAR and collision bumper.
- Please clean or maintain the robot and the charging base under shutdown or power-off state.
- Please do not wipe any part of the product using wet cloth or any liquid.
- Please use the product according to User Manual. User should be responsible for any damages and injuries caused by improper use.
- Please do not use mopping function for carpet and furniture top.
- Please be sure to remove the water tank when the machine is being charged.

Safety Information

1. The appliance is only to be used with the power supply unit provided with the appliance.
2. The adapter must be removed from the socket-outlet before cleaning or maintaining the appliance.
3. This appliance contains batteries that are only replaceable by skilled persons.
4. The battery must be removed from the appliance before it is scrapped.
5. The appliance must be disconnected from the supply mains when removing the battery.
6. The battery is to be disposed of safely.
7. **WARNING:** For the purposes of recharging the battery, only use the detachable supply unit provided with this appliance.

Plug Type	Model	Input	Output
EU	GA241-2001000E	100-240VAC 50/60Hz 0.6A	20V1A
UK	GA241-2001000B	100-240VAC 50/60Hz 0.6A	20V1A
USA	GA241-2001000U	100-240VAC 50/60Hz 0.6A	20V1A
Indian	GA241-2001000I	100-240VAC 50/60Hz 0.6A	20V1A

Battery and Charging

- Please do not use battery, charging base or charger provided by any third parties.
- Please do not dismantle or refit battery and charging base arbitrarily.
- Please keep the charging base away from heat source (such as heating plate).
- Please do not wipe or clean the charging base shrapnel using wet cloth or wet hand.
- Please do not abandon used batteries arbitrarily. Used batteries should be disposed of by professional recycling agency.
- If power line is damaged or broken, please disuse it immediately and replace it through official channels.
- Please ensure the robot shuts down during transportation and the product should be transported in original packaging.
- If the machine is left unused long, it should be fully charged and then placed in a cool and dry place. Charge the machine at least every 3 months so as to avoid damaging batteries due to excessive discharge.

Safety Information

Disposal Instructions

- The following information is only applicable to the disposal of this product, not its daily use.
- The chemical substances contained in the battery in the robot will pollute the environment. Before disposing of the product, remove the battery from the robot and take it to a professional recycling station. The battery should only be removed after it has been completely used up. Do not under any circumstance allow the battery to come into contact with metal objects.
- Removing the Battery:
 1. Ensuring that the robot is not touching the charging base, keep the product running until it uses up all of its battery and shuts down.
 2. Remove the screws from the battery cover.
 3. Remove the battery cover, pull out the battery plug, and then remove the battery.

Laser Safety Information

- LiDAR of the product complies with the standard for class1 laser products of IEC60825 and does not produce dangerous laser radiation.
- Laser class IEC-60825 Class 1
- The maximum laser output power of the product 10mW
- Laser head Pulse time (1/2300s)
- Invisible laser radiation
- Laser energy-Exposure near aperture may cause burns.
- Standard: IEC 60825-1:2014

Frequency	2.4Ghz~2.4835Ghz
Power	≤ 17dBm

Warning



This symbol means that according to local laws and regulations your product and/or its battery shall be disposed of separately from household waste. When this product reaches its end of life, user has the choice to give his product to a competent recycling organization. Proper recycling of your product will protect human health and the environment.



Indoor use only

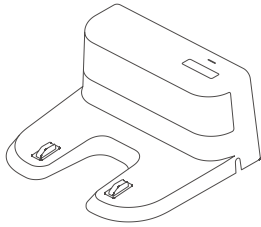
Battery warning

1. A lithium battery is built into this product. It must not be dismantled, impacted, forced out or exposed to fire.
2. A battery subjected to extremely low air pressure that may result in an explosion or the leakage of flammable liquid or gas.
3. Please do not put the battery in a high-temperature environment or expose it to the sun; doing so could cause it to explode.
4. Please do not continue to use the product if the battery appears to be swollen.
5. Please dispose of the battery in accordance with local regulations. Do not dispose of the battery as household refuse.
6. Please do not attempt to repair, disassemble or modify the battery. Replacing battery by an incorrect type could lead to explosion.
7. Please do not place pressure on or pierce the battery with hard objects. Damaging the battery could cause battery leakage, overheating, or fires.

Hereby, realme, declares that this device is in compliance with the essential requirements and other relevant provisions of Radio Equipment Directive 2014/53/EU. The declaration of conformity may be consulted at www.realme.com/global/support/declaration.

Product Introduction

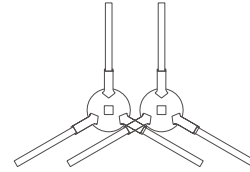
Scope of Delivery



Charging Base x1



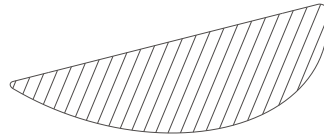
Adapter x1



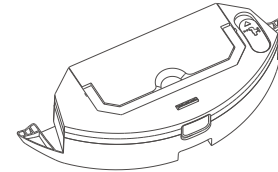
L Side Brush x1
R Side Brush x1



Cleaning Brush x1



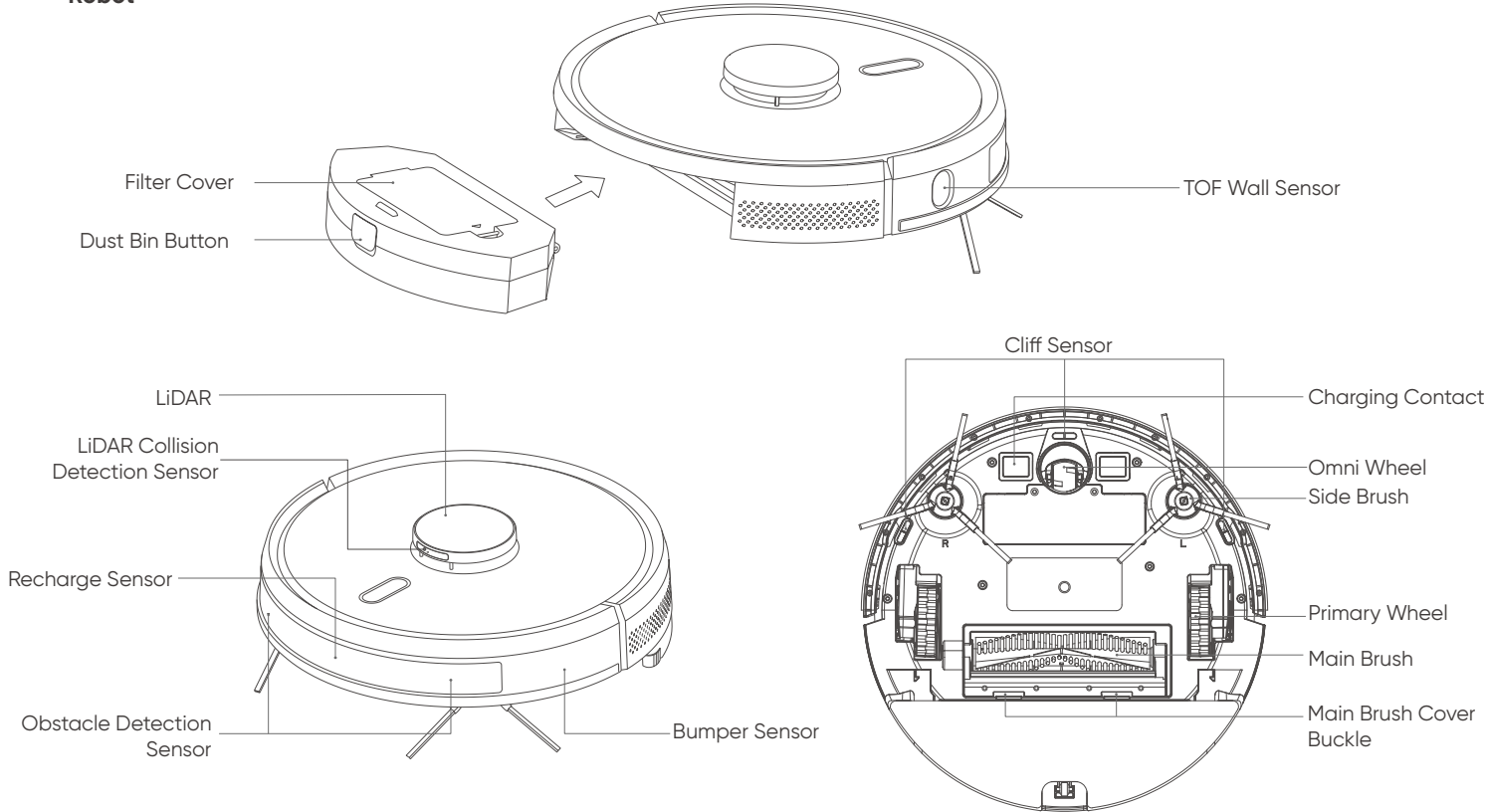
Washable Mop Pad x 2 (Optional)
Disposable Mop Pad x 10 (Optional)



Detachable 2-in-1 Water Tank (Optional)

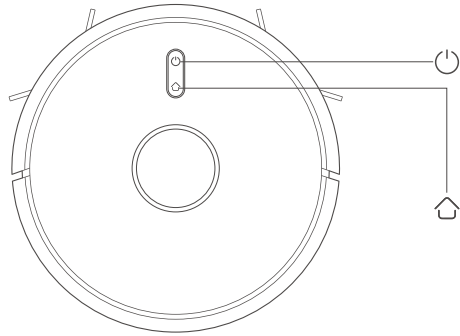
Product Introduction

Robot



Product Introduction

Robot



On/Off/Clean/Pause

- Press to start/pause cleaning
- Press and hold for 3 seconds to turn the device on/off
- When an error has occurred, press and hold for 15 seconds to force shutdown

Recharge/Partial Clean/Pause

- Press to recharge/pause
- Press and hold to start partial cleaning

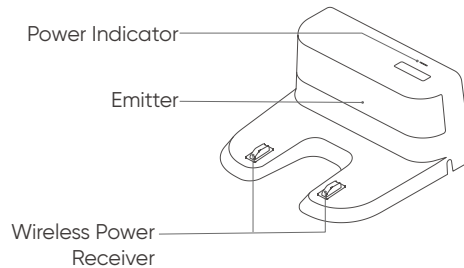
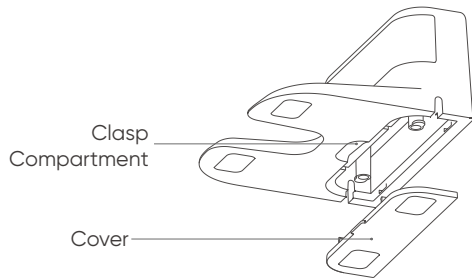
Indicator

- White: Connected to Wi-Fi
- Orange: Not connected to Wi-Fi
- Red: Error or low battery

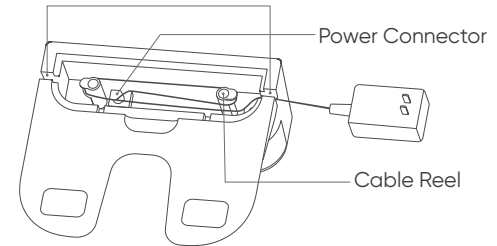
Reset Wi-Fi

- Press and hold both buttons for 3 seconds

Charging Base

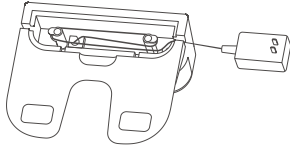


External Cable Compartment

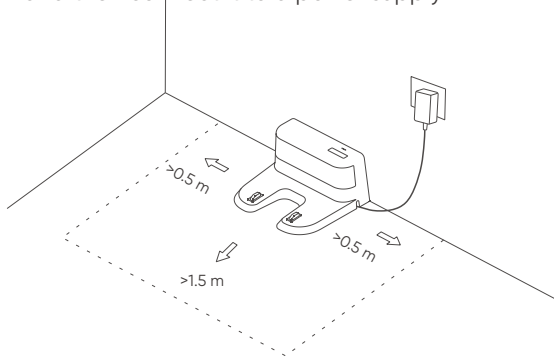


Installation

1. Connect the power cable, and then place any excess cable in the cable compartment.



2. Place the charging base against the wall on a flat surface, and then connect it to a power supply

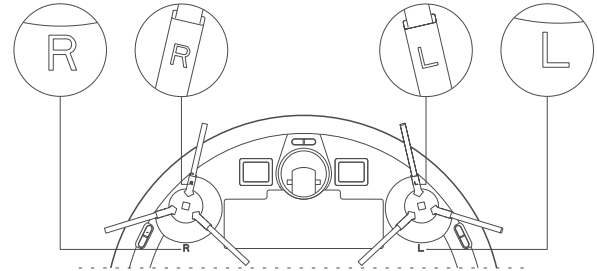


Note:


- Ensure that the charging base has at least 0.5 m of free space on both sides, and 1.5 m of free space in front.
- During installation, keep the power cable off the ground. When the power cable is on the ground, it may be dragged by the device, which will cause the charging base to power off.
- The charging indicator will remain on as long as electricity is flowing.

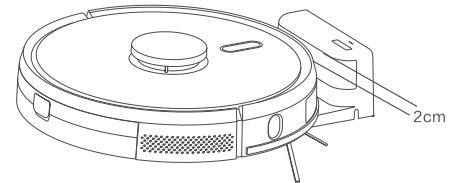
3. Install the side brushes

Align the left and right brushes with the corresponding markings on the bottom cover. Press down until you hear a click, which indicates successful installation.



4. Power on and charge

Press and hold the  button to turn on the device. Wait until the indicator turns on, and then place the device on the charging base.

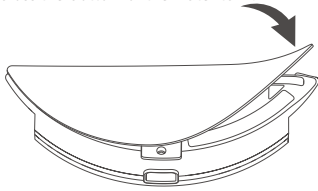


Note: The device cannot start if it does not have enough battery power. Place the device on the charging base, and it will automatically turn on when it has enough power. The device can work normally only when the battery is $\geq 20\%$ charged. As shown in the figure, the front of the device should face the charging base so that the charging contact of the robot is touching the wireless power receiver. The distance between the front of the device and the charging base should be around 2 cm.

Mopping Kit

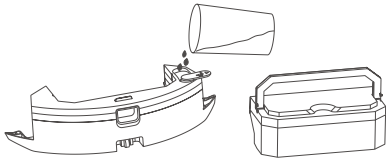
1. Install the detachable 2-in-1 water tank

- ① Install the cleaning mop: Affix the mop smoothly across the bottom of the water tank.



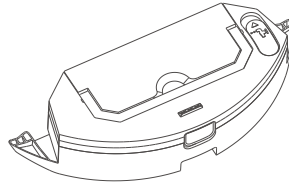
Note: Clean the mop after each use to ensure optimal performance.

- ② Fill the water tank: Open the lid, fill the tank with water, and then fasten the lid.

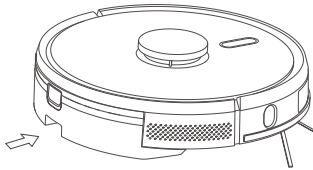


Note: It is recommended to remove the dust bin before filling the water tank. This ensures that water does not enter the dust bin. Lift the handle, remove the dust bin from the water tank, fill the tank with water, and then fasten the lid.

- ③ Install the water tank.



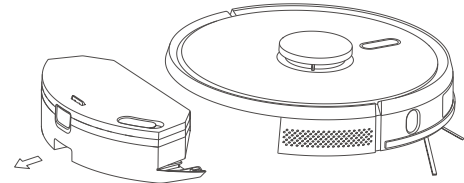
Place the dust bin in the water box and ensure the handle is flat.



Press and hold the button on the middle of the water tank, and then push it horizontally along the back of the device body. You will hear a click once the installation is successful.

2. Remove the detachable 2-in-1 water tank

When the device has finished cleaning, press and hold the button on the middle of the water tank, remove the tank by pulling it backwards, pour any remaining water out of the tank, and then clean the mop (do not move or turn over the device while it is cleaning).



3. Usage

- ① Do not use the water tank when no one is at home.
- ② To ensure safety, remove the water tank while it is not in use and when the device is charging.
- ③ Do not use the mopping function on carpets. Prevent the device from entering carpeted areas with the restricted area function on the mobile app.
- ④ To ensure optimal mopping performance, use the device to clean the area three times before installing the mopping module.
- ⑤ If you need to add water or clean the mop during a cleaning task, pause the device and follow the above steps. Do not move or turn the device body to avoid positioning failures and loss of the map.
- ⑥ While the mopping function of the device can wipe surfaces to aid in deep cleaning, it cannot effectively remove stubborn stains in the same manner a human can.

Connect to realme Link

Download App

Method 1: Open your app store and download the realme Link app.
Method 2: Scan the QR code below.





Add Device

Open the mobile app and tap the + button on the homepage to enter the device selection page. Select Cleaning Robot, and then add the device to your app by following the instructions.

Firmware Upgrade

Open the mobile app and navigate to the upgrade firmware page, wait for the app to detect the new firmware, and then follow the instructions. The battery must be $\geq 50\%$ charged to perform a firmware upgrade. It is recommended to place the device on the charging base during a firmware upgrade.

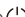
Reset Wi-Fi

If your phone can no longer connect to your device due to changes in router configuration, password, or other reasons, press and hold the  and  buttons at the same time for 3 seconds. You should hear "Wi-Fi has been reset".



Usage

On/Off

Press and hold the  button for 3 seconds. The indicator should light up to indicate that it is turned on.

Note: The device cannot be turned off while charging.

Clean/Pause

Once the device has turned on, press the  button on the robot or use the mobile app to start the cleaning process.


(Press any key during cleaning to pause)

Note:

- Cleaning robots cannot be used to clean liquids.
- If the battery level is lower than 20%, the device will not be able to perform cleaning tasks. Charge the device before attempting to clean.
- If the battery level falls below 20% during the cleaning process, the device will automatically return to the charging base. Once the battery has charged to 80%, the device will attempt to continue from where it left off.
- Remove all cables (including the power cable of the charging base) from the floor before cleaning. This ensures that the device does not cause any power outages or damage to objects or cables by dragging them.

Charge

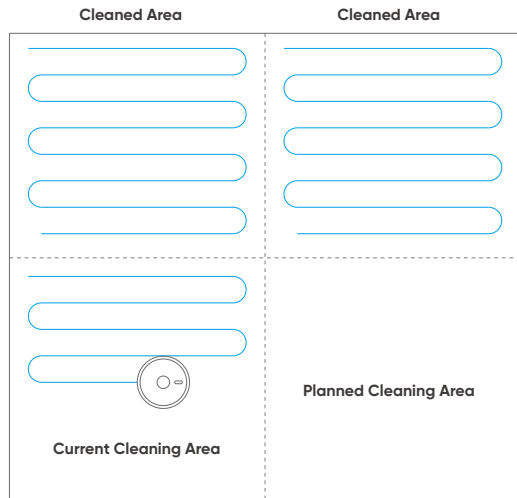
Automatic: When the device is done cleaning, it will automatically return to the charging base.

Manual: While the device is paused, press the  key or use the mobile app to start the recharge process.

Note: If the device cannot find the charging base, it will return to its starting position. You will have to manually place the device on the charging base.

Automatic Cleaning

When the cleaning process begins, the device scans the area, generates a map, and then intelligently partitions the map into zones. The device first cleans each zone along the walls, and then cleans the rest of the zone in a bow shape. Each zone is cleaned one by one in an orderly, efficient, and comprehensive manner. Once the cleaning process is complete, the device will automatically return to the charging base.



Note:


Do not arbitrarily or frequently move the device during operation. After you move the device, place it near its original location. Once it has restarted, the device will attempt to relocate its original coordinates. If the positioning is successful, the device will continue along its planned path. If the positioning fails, the device will abandon its previous task and attempt to build a new map to restart the cleaning process. In this circumstance, the device may not be able to successfully recharge.

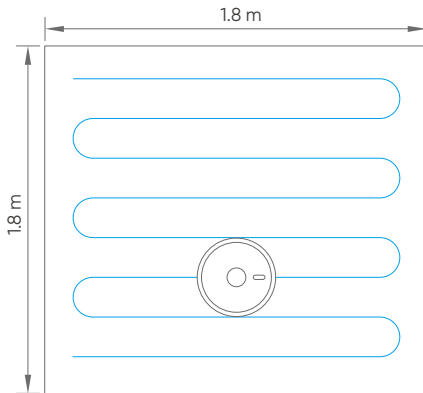
Usage

Spot Cleaning

If you wish to deep clean a certain area, specify its location on the mobile app. The device will center itself in and clean the 1.5 m x 1.5 m area around itself two times.

Partial Cleaning

If you cannot control the device through the mobile app, instead move it manually to the area that needs to be cleaned, and then press and hold the  key for 3 seconds. The device will center itself in and clean the 1.8 m x 1.8 m area around itself one time.



Custom Area

Use the mobile app to set the size and location of the area(s) that you wish to clean.

Restricted Area

Use the mobile app to define one or more restricted areas. The device will not attempt to enter or clean restricted areas.

Note:

- **The device may enter restricted areas due to causes such as positioning errors or sensor failures.**
- **Permanent restricted areas may become invalid when significant changes occur to the position of furniture and the charging base. Do not move or interfere with the device while it is in operation.**
- **Building a new map will remove all permanent restricted areas.**

Scheduled Cleaning

Use the mobile app to set scheduled cleaning times. The device will automatically start cleaning during the set times, and then return to the charging base once it is done.

Suction

Use the mobile app to select between the quiet, normal, turbo, or max vacuum modes. The default mode is normal.

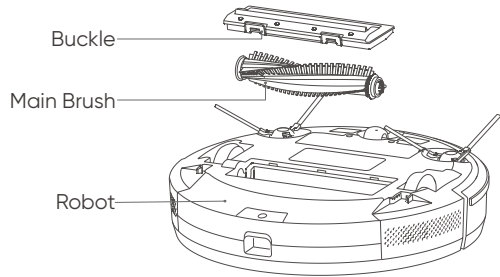
Water Level

Use the mobile app to select between the dry, low, mid, or high water modes. The default mode is high.

Routine Maintenance

Main Brush

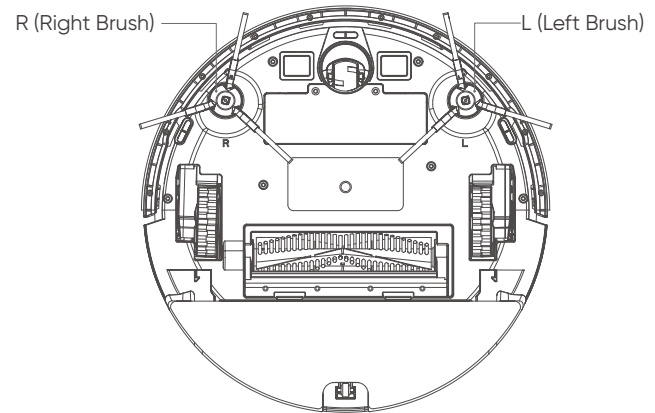
1. Flip the device over and press the buckle on the main brush cover to take out the main brush.
2. Use the corresponding tool to clean the main brush, any dust stuck in the main brush cavities, and any objects entangled in the main brush.
3. Reinstall the main brush, press down on the main brush cover, and secure the buckle.



Side Brush

1. Flip the device over and pull out the side brush vertically.
2. Reinstall the brush after removing any entangled hair and dirt.
3. Align the left and right brushes with the corresponding markings on the bottom cover, and then press down to install.

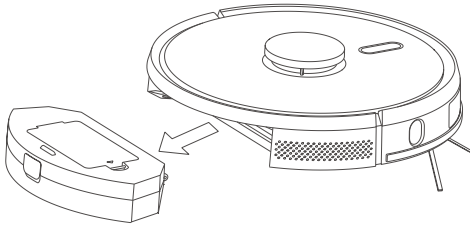
Note: It is recommended to replace the side brush once every 3-6 months to ensure optimal performance.



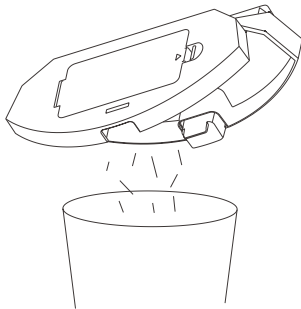
Routine Maintenance

Dust Bin

1. Press and hold the dust bin button, and then pull back on the dust bin to take it out.

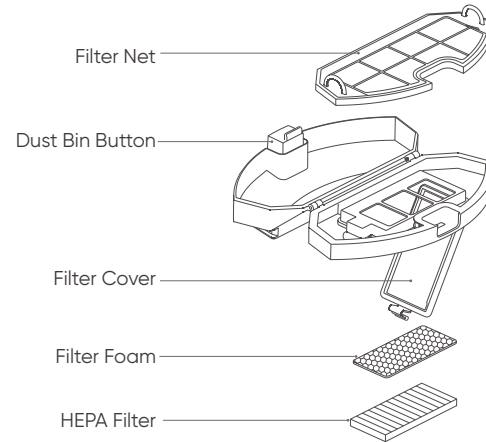


2. Open the dust bin and empty it into the trash.



Filter

1. After a long period of use, remove the filter net, filter foam, and HEPA filter.
2. Rinse the removed filter net, foam, HEPA filter, and dust bin under a tap.
3. Shake off any water drops after rinsing, and then wait until the filters and dust bin have completely dried.
4. After thoroughly drying, reinstall the filters in the following order: filter net > filter foam > HEPA filter.



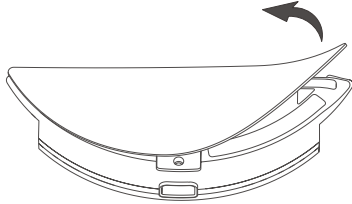
Note:

- Rinse with clean water. Do not add any detergents.
- Do not use a brush or your fingers to clean the filter.
- Allow the filter to dry thoroughly for at least 24 hours.
- It is recommended to replace the filter every 3-6 months.

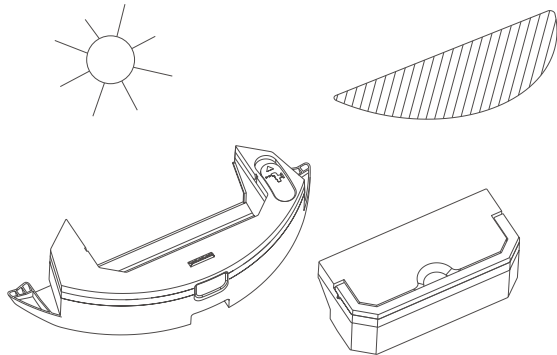
Routine Maintenance

Detachable 2-in-1 Water Tank (Clean After Each Use)

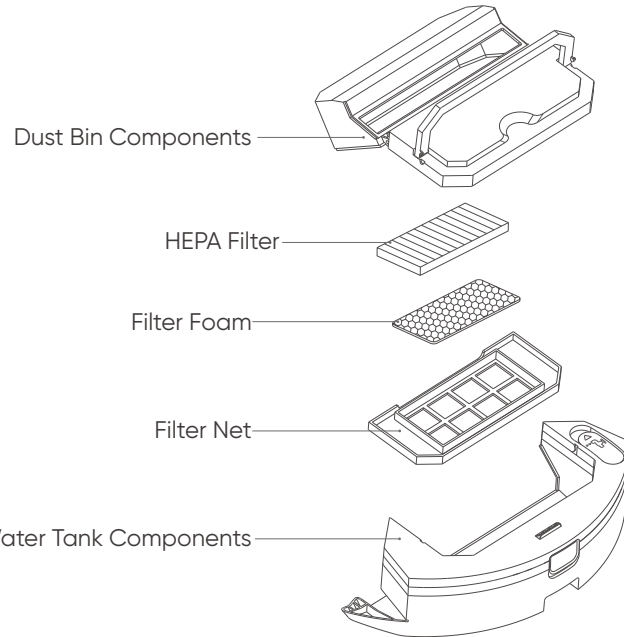
1. Remove the cleaning mop and pour out all remaining water from the tank.



2. Wash the cleaning mop, and then dry the water tank and the mop to prepare for the next use.



Lift the handle, take the dust bin out of the water tank, pour out any excess water, and then dry the water tank.



Battery

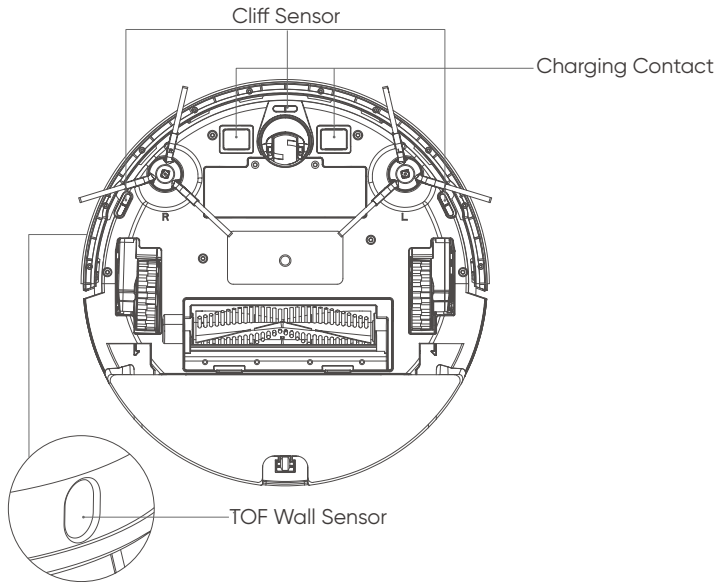
- The body of the device is equipped with a high-performance lithium-ion battery pack. To ensure optimal battery performance, keep the device charged.
- If you do not intend to use the device for a long period of time, turn it off and store it in a safe place. Charge the device at least once every 3 months to prevent over-discharge damage to the battery.

Routine Maintenance

Sensors (Clean Regularly)

Use a soft, dry cloth to wipe all the sensors on the device, including the following:

1. The TOF wall sensor on the right of the robot
2. The cliff sensor on the bottom of the robot
3. The obstacle detection sensor on the front of the robot
4. The LiDAR Collision Detection Sensor on the top of the robot
5. The charging contact on the bottom of the robot and the wireless power receiver on the charging base (turn off the power before cleaning)
6. The charging base emitter



Specifications

Robot

Product Name	realme TechLife Robot Vacuum
Model	RMH2101
Dimensions	350x350x100 mm
Weight	3.3 kg
Battery	5200mAh Lithium Battery
Input Voltage	14.4V
Rated Power	50W

Charging Base

Model	RMH2101CB
Dimensions	160x143x80 mm
Rated Power	20W
Rated Output	20W

Troubleshooting

Error Message	Solution
Error 1: The dust bin seems to be missing.	The device was started without a dust bin. Reattach the dust bin.
Error 2: The top radar seems to be obstructed or stuck.	The top radar has been covered or placed in an open area. Remove the top radar cover or move the device indoors.
Error 3: Please move me to a new location, then restart.	The device is currently in the air. Move the device to a level surface, then restart.
Error 4: Please clean the cliff sensor, move me to a new location, then restart.	The cliff sensor has been obstructed or placed in an elevated location. Wipe the window of the cliff sensor with a soft, dry cloth, move the device to ground level, then restart.
Error 5: Please clean the front sensor, move me to a new location, then restart.	The obstacle detection sensor is dirty or has become obstructed. Wipe the obstacle detection sensor with a soft, dry cloth.
Error 6: Please clean the right sensor, move me to a new location, then restart.	The TOF wall sensor is dirty or has become obstructed. Wipe the TOF wall sensor with a soft, dry cloth.
Error 7: Please clean the top radar cover, move the product to a new location, then restart.	The LiDAR Collision Detection Sensor is dirty or has become obstructed. Wipe the top LiDAR Collision Detection Sensor with a soft, dry cloth.
Error 8: The bumper seems to be stuck.	The edge or bumper sensor is stuck. Move the front bumper left and right to check for a jam.
Error 9: Please clean the dust bin and filter.	Clean the dust bin and filter, or replace the filter.
Error 10: The dust bin has been removed. Please clean the dust bin and filter.	Clean the dust bin and filter, or replace the filter.
Error 11: I'm stuck! Please help me!	Move the device to a level surface, then restart.

Troubleshooting

Error Message	Solution
Error 12: Please place me upright!	The device is on an incline. Move the device to a level surface, then restart.
Error 13: The tires seem to be stuck.	The primary wheel has become entangled or stuck. Check the primary wheel and remove any foreign objects.
Error 14: The main brush seems to be stuck.	The main brush has become entangled or stuck. Check the main brush and remove any foreign objects.
Error 15: The side brush seems to be stuck.	The side brush has become entangled or stuck. Check the side brush and remove any foreign objects.
Error 16: Uh-oh! Where's the charging base?	If the device says that the charging base is not found or not plugged in, check whether the charging base indicator is on, or move the device back to the charging base.
Error 17: Oh no! I've experienced a program error. Please restart me!	This error is caused by an unknown fault. Restart the product.
Error 18: A failure has caused the device to shut down automatically.	Restart the product. If the problem persists, contact after-sales support.
Error 19: The battery is low and must be recharged.	Place the product on the charging base.
Error 20: To shut down the device, move it away from the charging base and try again.	The product cannot be turned off when on the charging base. Move the product away from the charging base, and then press and hold the power button.

Common Problems

Problem Type	Solution
Cannot be started	<ul style="list-style-type: none">• The battery is low. Place the product on the charging base and align it with the wireless power receiver. The device should automatically turn on. If the device was out of power, it may take some time to turn on.• The ambient temperature exceeds the normal operating range of 0-40°C. Only use the product in environments where the ambient temperature is within this range.
Cannot be charged	<ul style="list-style-type: none">• Remove the device and check whether the indicator of the charging base is on. Ensure that both ends of the charging base power adapter are plugged in, the front of the device is facing the charging base, and the distance between the front of the device and the charging base is around 2 cm.• The connection may be poor. Clean the charging contacts on the wireless power receiver and the device body, or remove the side brushes.• Charge the device in an ambient temperature of 0-40°C.
Cannot be recharged	The product is too far away from the charging base. Move it closer and try again.
Abnormal noises during operation	There may be a foreign object entangled in the primary brush, side brushes, or wheels. Turn off the product and clean it.
Lowered performance or leaking dust	<ul style="list-style-type: none">• The dust bin is full and needs to be cleaned.• The filter is clogged and needs to be cleaned or replaced.• The main brush is entangled with a foreign object and needs to be cleaned.
Can't connect to Wi-Fi	<ul style="list-style-type: none">• The Wi-Fi signal is poor. Make sure the product is in an area with good Wi-Fi coverage.• A Wi-Fi connection error has occurred. Please reset the Wi-Fi connection, download the latest version of the mobile client, and try again.• The password you entered was incorrect.• The router is running a 5GHz network. This product only supports connection to 2.4GHz networks.
Consuming power while on the charging base	When the product is on the charging base, it will consume a small amount of power to ensure optimal battery performance.

Scan the QR code if you need more help



Bezpečnostní informace

Omezení používání

- Výrobek je určený pouze pro úklid podlah v prostředí domácností a nelze ho používat venku (jako např. na terase), mimo zem (jako např. na gauči) ani v komerčních nebo průmyslových prostorech.
- Výrobek nepoužívejte v oblastech ve vzduchu (jako např. v přístřešku, na otevřené terase nebo na nábytku) bez ochranného plotu.
- Výrobek nepoužívejte při teplotě nad 40 °C nebo pod 0 °C nebo pokud se na zemi nachází kapalina nebo lepidlo.
- Před použitím dejte kabely na zem, aby je robot netáhl.
- Ze země odstraňte křehké předměty a nečistoty (jako např. vázy, plastové sáčky apod.), abyste nepoškodili cenné věci, když se robot zasekne nebo do něčeho mírně narazí.
- Toto zařízení mohou používat děti od 8 let a osoby se sníženými fyzickými, smyslovými nebo duševními schopnostmi nebo nedostatkem zkušeností a znalostí, pokud obdrží dohled nebo pokyny ohledně používání zařízení bezpečným způsobem a chápou jeho rizika. Děti by si neměly hrát se zařízením. Děti by bez dohledu neměly provádět čištění a uživatelskou údržbu.
- Hlavní kartáč a další čisticí nástroje udržujte mimo dosah dětí.
- Na stojící nebo pohybuující se přístroj nedávejte žádné předměty (včetně dětí a domácích zvířat).
- Když přístroj pracuje, udržujte vlasy, nehty a další části těla lidí nebo domácích zvířat mimo sací ventil.
- Výrobek nepoužívejte k uklízení hořících předmětů (jako např. nedopalků cigaret).
- Výrobek nepoužívejte k čištění koberců s vysokým vlasem. (Je možné, že některé tmavé koberce nepůjdou vyčistit normálně.)
- Zabraňte tomu, aby robot vsál tvrdé nebo ostré předměty (jako např. zbytky dekorativních materiálů, sklo nebo železné hřebíky).
- Přístroj nepřesunujte držením za ochranný kryt LiDARu nebo za kolizní nárazník.
- Čištění a údržbu robota a nabíjecí základny provádějte ve vypnutém stavu bez elektřiny.
- Žádnou část výrobku nečistěte pomocí mokrého hadříku ani žádnou tekutinou.
- Výrobek používejte podle uživatelské příručky. Za jakékoliv škody a zranění způsobené nesprávným použitím bude zodpovědný uživatel.
- Nepoužívejte funkci mopy na koberec ani na povrch nábytku.
- Před nabíjením přístroje vyjměte nádržku na vodu.

Bezpečnostní informace

1. Zařízení lze používat pouze s napájecím zdrojem dodávaným se zařízením.
2. Před čištěním nebo údržbou zařízení musíte adaptér vytáhnout z elektrické zásuvky.
3. Toto zařízení obsahuje baterie, které může vyměnit pouze školený technik.
4. Před likvidací zařízení je nutné ze zařízení vyjmout baterii.
5. Při vyjímání baterie musíte zařízení odpojit od elektřiny.
6. Baterie je nutné likvidovat bezpečně.
7. UPOZORNĚNÍ: K nabíjení baterie použijte pouze odnímatelnou elektrickou jednotku dodávanou s tímto zařízením.

Typ zástrčky	Model	Příkon	Výstup
EU	GA241-2001000E	100–240 VAC, 50/60 Hz, 0,6 A	20 V, 1 A
Spojené království	GA241-2001000B	100–240 VAC, 50/60 Hz, 0,6 A	20 V, 1 A
USA	GA241-2001000U	100–240 VAC, 50/60 Hz, 0,6 A	20 V, 1 A
Indie	GA241-2001000I	100–240 VAC, 50/60 Hz, 0,6 A	20 V, 1 A

Baterie a nabíjení

- Nepoužívejte baterii, nabíjecí základnu ani nabíječku dodávanou jakoukoliv třetí stranou.
- Baterii ani nabíjecí základnu svévolně nerozmontovávejte ani neopravujte.
- Nabíjecí základnu udržujte mimo zdroj tepla (jako jsou např. topné desky).
- Kovovou část napájecího konektoru nabíjecí základny nečistěte ani neumývejte mokřým hadříkem ani mokrou rukou.
- Použité baterie nenechávejte svévolně opuštěné. Použité baterie by měla zlikvidovat profesionální recyklační firma.
- Pokud je elektrický kabel poškozený nebo zlomený, ihned ho přestaňte používat a vyměňte ho pomocí oficiálních kanálů.
- Zkontrolujte, že je robot během přepravy vypnutý. Výrobek byste měli přepravovat v originálním obalu.
- Pokud jste přístroj dlouho nepoužívali, měli byste ho zcela nabít a umístit na chladné a suché místo. Přístroj nejméně jednou za 3 měsíce dobijte, abyste zabránili poškození baterií kvůli nadměrnému vybití.

Bezpečnostní informace

Pokyny pro likvidaci

- Následující informace platí pouze pro likvidaci výrobku, ne pro jeho běžné používání.
- Chemické látky obsažené v baterii robota znečistí životní prostředí. Předtím, než výrobek vyhodíte, vyjměte z robota baterii a odnešte ji do profesionálního recyklačního centra. Baterie by měla být vyjmuta až poté, co je úplně opotřebovaná. Za žádných okolností nedovolte, aby baterie přišla do styku s kovovými předměty.
- Vyjmutí baterie:
 1. Zkontrolujte, že robot se nedotýká nabíjecí základny. Výrobek nechte běžet, dokud úplně nevybije baterii a nevypne se.
 2. Odšroubujte šrouby z krytu baterie.
 3. Sejměte kryt baterie, vytáhněte zástrčku baterie a poté baterii vyjměte.

Bezpečnostní informace o laseru

- LiDAR výrobku splňuje standard pro třídu 1 laserových výrobků IEC60825 a nevytváří nebezpečné laserové záření.
- Laserová třída IEC-60825 třída 1
- Maximální laserový výstupní výkon výrobku 10 mW
- Čas pulzování laserové hlavy (1/2 300 s)
- Neviditelné laserové záření
- Vystavení laserové energii poblíž otvoru může způsobit popáleniny.
- Standard: IEC 60825-1:2014

Frekvence	2,4 až 2,4835 GHz
Výkon	≤17 dBm

Upozornění



Tento symbol značí, že výrobek a/nebo jeho baterii musíte podle místních zákonů a nařízení likvidovat odděleně od směsného odpadu. Uživatel může po skončení životnosti tohoto výrobku výrobek předat způsobilé recyklační společnosti. Správná recyklace pomůže chránit zdraví lidí a životní prostředí.



Pouze pro použití uvnitř budov

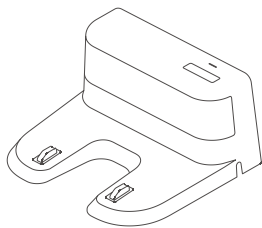
Upozornění ohledně baterie

1. Tento výrobek obsahuje lithiovou baterii. Nesmíte ji rozmontovávat, narážet do ní, vytlačovat ji ani vystavovat ohni.
2. V baterii je extrémně nízký tlak vzduchu, což může mít za následek explozi nebo únik hořlavé kapaliny nebo plynu.
3. Baterii neumisťujte do prostředí s vysokou teplotou ani ji nevystavujte slunci. Mohlo by to způsobit explozi.
4. Pokud se zdá, že se baterie nafoukla, přestaňte výrobek používat.
5. Baterii zlikvidujte podle místních nařízení. Baterii nevyhazujte do směsného odpadu.
6. Baterii se nepokoušejte opravovat, rozmontovávat ani upravovat. Výměna baterie za nesprávný typ může způsobit explozi.
7. Na baterii nevyvíjejte tlak ani ji nepropichujte pomocí tvrdých předmětů. Poškození baterie může způsobit vylití baterie, přehřátí nebo požár.

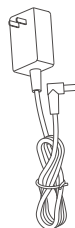
Společnost realme tímto prohlašuje, že toto zařízení splňuje základní požadavky a další příslušná ustanovení směrnice o rádiových zařízeních 2014/53/EU. Prohlášení o shodě naleznete na adrese www.realme.com/global/support/declaration.

Představení výrobku

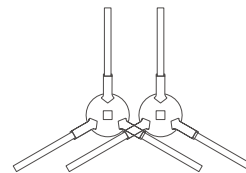
Rozsah doručení



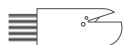
Nabíjecí základna x1



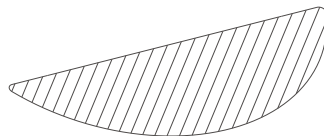
Adaptér x1



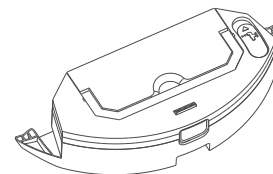
Levý boční kartáč x1
Pravý boční kartáč x1



Úklidový kartáč x1



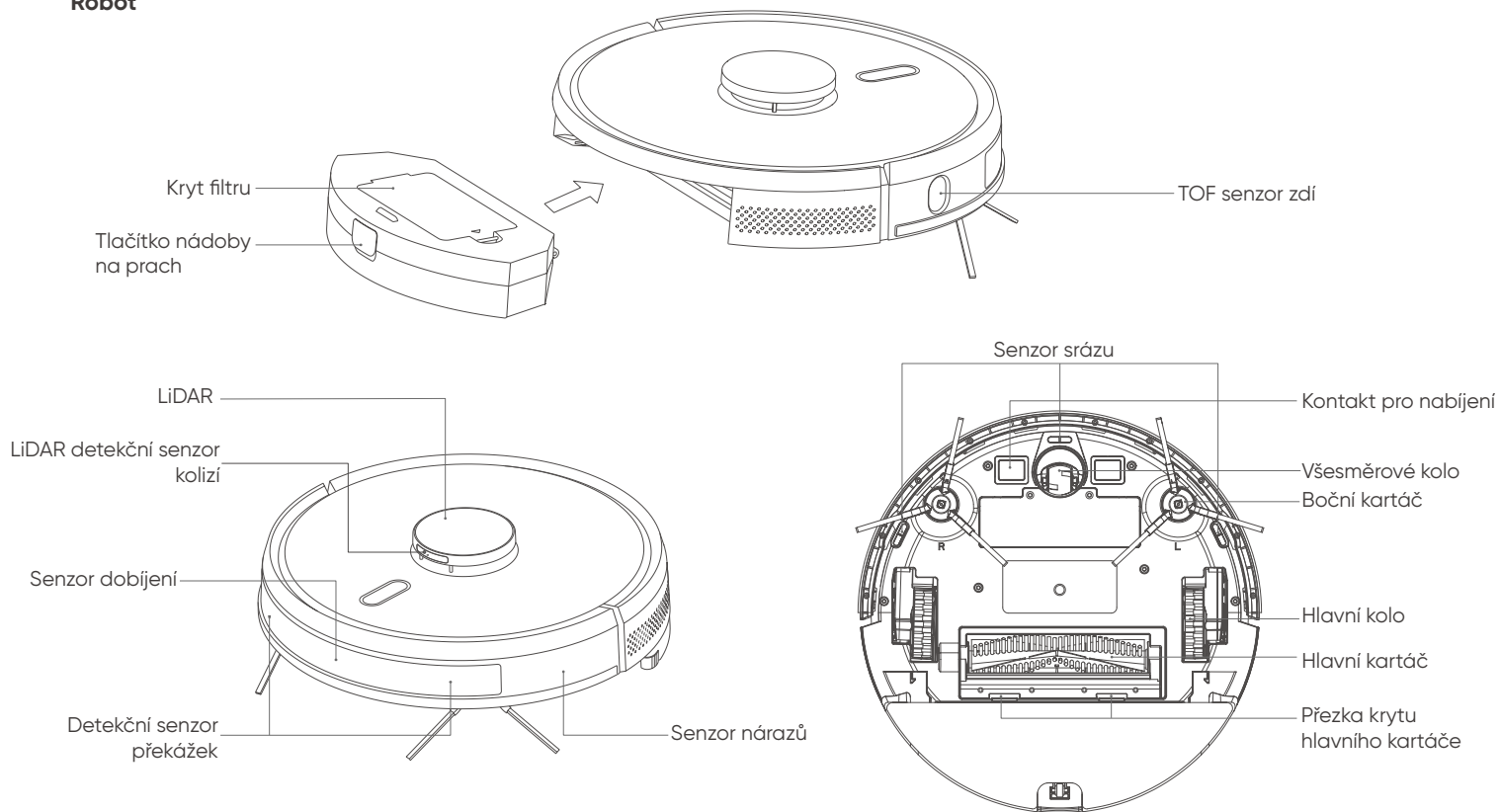
Omyvatelná destička mopu x 2 (volitelné)
Jednorázová destička mopu x 10 (volitelné)



Odnímatelná nádržka na vodu typu dva v jednom (volitelné)

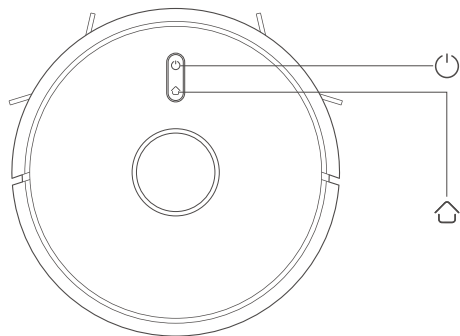
Představení výrobku

Robot



Představení výrobku

Robot



Zapnutí/Vypnutí/Úklid/Pozastavení

- Stisknutím spustíte/pozastavíte úklid
- Stiskněte a držte po dobu 3 sekund pro zapnutí/vypnutí zařízení
- Pokud dojde k chybě, stisknutím a podržením po dobu 15 sekund vynutíte vypnutí zařízení

Dobíjení/Částečný úklid/Pozastavení

- Stisknutím dobijete/pozastavíte
- Stisknutím a podržením zahájíte částečný úklid

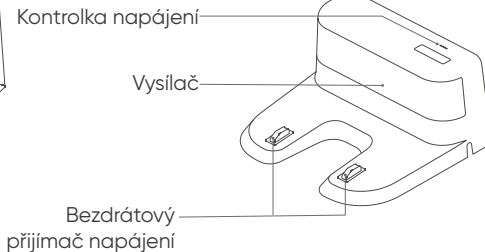
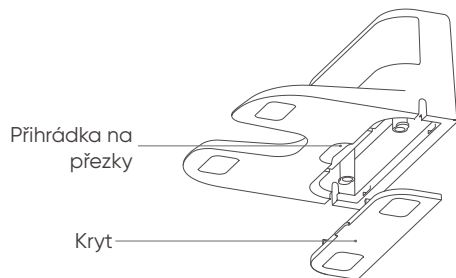
Kontrolka

- Bílá: Připojeno k Wi-Fi
- Oranžová: Nepřipojeno k Wi-Fi
- Červená: Chyba nebo nízká úroveň nabití baterie

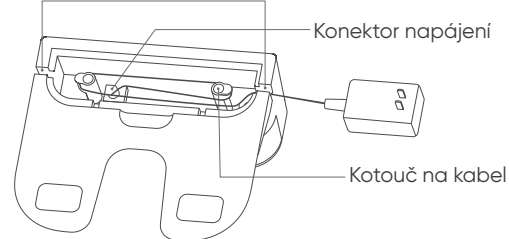
Resetování Wi-Fi

- Stiskněte obě tlačítka a držte je po dobu 3 sekund

Nabíjecí základna

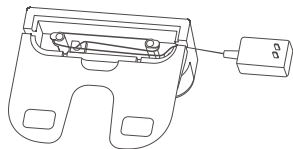


Příhrádka na externí kabely

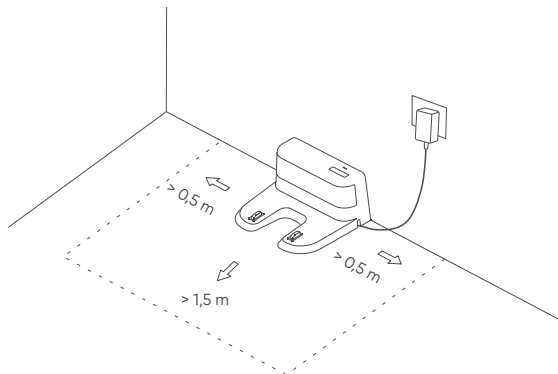


Instalace

1. Připojte síťový kabel a přebytečný kabel vložte do přihrádky na kabely.



2. Umístěte nabíjecí základnu na rovný povrch proti zdi a poté ji připojte k napájecímu zdroji.

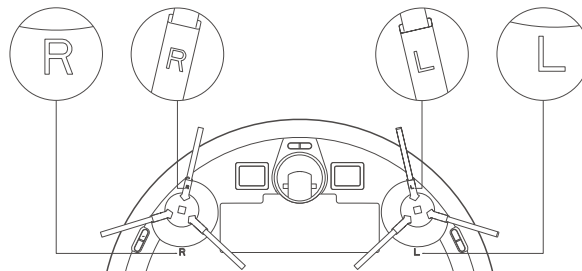


Poznámka:

- Zkontrolujte, že nabíjecí základna má alespoň 0,5 m volného prostoru po obou stranách a alespoň 1,5 m volného prostoru před sebou.
- Během instalace nechte síťový kabel na zemi. Když je síťový kabel na zemi, zařízení ho může táhnout, což způsobí vypnutí nabíjecí základny.
- Pokud do zařízení proudí elektřina, kontrolka nabíjení zůstane svítit.

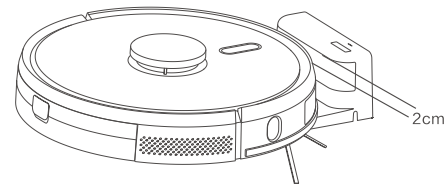
3. Instalace bočních kartáčů

Zarovnejte levé a pravé kartáče s příslušnými značkami na dolním krytu. Zatlačte dolů, dokud neuslyšíte zacvaknutí, což znamená, že instalace byla úspěšná.



4. Zapnutí a nabíjení

Stisknutím a podržením tlačítka  zapnete zařízení. Počkejte, než se rozsvítí kontrolka, a poté zařízení umístěte do nabíjecí základny.

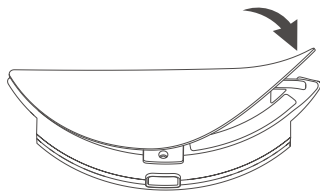


Poznámka: Pokud zařízení nemá dostatečnou úroveň nabití baterie, zařízení nebude možné spustit. Zařízení umístěte do nabíjecí základny. Jakmile bude mít dostatek energie, automaticky se zapne. Zařízení může normálně fungovat, pouze pokud je úroveň baterie alespoň 20 %. Přední část zařízení by měla být čelem k nabíjecí základně, aby se kontakt pro nabíjení robota dotýkal bezdrátového přijímače napájení. (Viz obrázek.) Vzdálenost mezi přední částí zařízení a nabíjecí základnou by měla být zhruba 2 cm.

Sada pro mopování

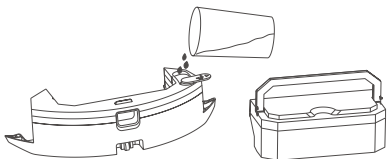
1. Montáž odnímatelné nádržky na vodu typu dva v jednom

① Vložení úklidového mopu do zařízení: Mop upevněte vyrovnaně k dolní části nádržky na vodu.



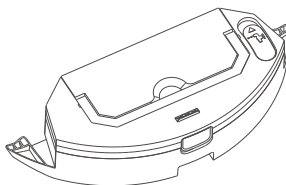
Poznámka: Mop po každém použití očistěte, abyste zajistili optimální výkon.

② Nádržku na vodu naplníte vodou: Otevřete víko, do nádržky nalijte vodu a poté víko utáhněte.

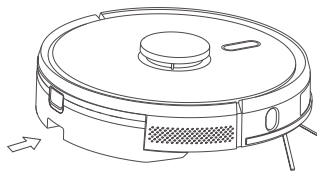


Poznámka: Před naplněním nádržky na vodu doporučujeme vyjmout nádobu na prach. Tím zajistíte, že se do nádoby na prach nedostane voda. Zvedněte rukojeť, nádobu na prach vyjměte z nádržky na vodu, do nádržky nalijte vodu a poté utáhněte víko.

③ Nainstalujte nádržku na vodu.



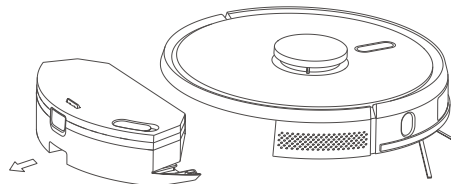
Nádobu na prach umístěte do krabice s vodou a zkontrolujte, že rukojeť je rovně.



Stiskněte tlačítko uprostřed nádržky na vodu a podržte ho, poté ji vodorovně zatlačte podél těla zařízení. Po úspěšném vložení uslyšíte zacvaknutí.

2. Vyjmutí odnímatelné nádržky na vodu typu dva v jednom

Jakmile zařízení dokončí úklid, stiskněte tlačítko uprostřed nádržky na vodu a podržte ho, nádržku vyjměte zatažením dozadu, vylijte z ní všechnu zbývající vodu a poté mop očistěte. (Zařízení během úklidu nepřesunujete ani nepřevracíte.)



3. Používání

- ① Nádržku na vodu nepoužívejte, pokud nikdo není doma.
- ② Když zařízení nepoužíváte nebo když se nabíjí, vyjměte kvůli bezpečnosti nádržku na vodu.
- ③ Funkci mopování nepoužívejte na koberce. Pomocí funkce zakázaných oblastí v mobilní aplikaci zabraňte zařízení ve vstupu do oblastí s koberci.
- ④ Pro zajištění optimálního výkonu mopování před instalací mopovacího modulu třikrát použijte k úklidu oblast.
- ⑤ Pokud během úlohy úklidu potřebujete přidat vodu nebo vyčistit mop, zařízení pozastavte a postupujte podle výše uvedených kroků. Tělo zařízení nepřesunujte ani nepřevracíte, abyste zabránili chybám zjišťování polohy a ztrátě mapy.
- ⑥ Funkce mopování v zařízení dokáže vyčistit povrch a pomocí s hlubkovým úklidem, ale těžko odstranitelné skvrny nedokáže odstranit stejně dobře jako člověk.

Připojení k aplikaci realme Link

Stažení aplikace

Metoda č. 1: Otevřete obchod s aplikacemi a stáhněte si aplikaci realme Link.

Metoda č. 2: Naskenujte níže uvedený QR kód.



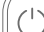

Přidání zařízení

Otevřete mobilní aplikaci a klepnutím na tlačítko + na domovské stránce přejděte na stránku výběru zařízení. Vyberte úklidového robota a zařízení podle pokynů přidejte do aplikace.

Aktualizace firmwaru

Otevřete mobilní aplikaci, přejděte na stránku pro aktualizaci firmwaru, počkejte, než aplikace detekuje nový firmware a poté postupujte podle pokynů. Úroveň nabití baterie musí být alespoň 50 %, aby bylo možné provést aktualizaci firmwaru. Doporučujeme vám, abyste zařízení během aktualizace firmwaru umístili do nabíjecí základny.


Resetování Wi-Fi

Pokud se telefon kvůli změně konfigurace směrovače, hesla nebo z jiných důvodů již nemůže připojit k zařízení, stiskněte najednou tlačítka  a  a držte je po dobu 3 sekund. Měli byste uslyšet „Wi-Fi byla resetována“.



Používání

Zapnutí/Vypnutí

Stiskněte tlačítko  a držte ho po dobu 3 sekund. Rozsvítí se kontrolka, která značí, že je zařízení zapnuté.

Poznámka: Zařízení nelze během nabíjení vypnout.

Úklid/Pozastavení


Jakmile se zařízení zapne, stiskněte tlačítko  na robotu nebo proces úklidu spusťte pomocí mobilní aplikace.

(Stisknutím jakéhokoliv tlačítka během úklidu zařízení pozastavíte.)

Poznámka:

- Uklízeč roboty nelze používat k uklízení kapalin.
- Pokud je úroveň nabití baterie nižší než 20 %, zařízení nebude moci provádět úlohy úklidu. Před pokusem o úklid zařízení dobijte.
- Pokud úroveň nabití baterie během procesu úklidu klesne pod 20 %, zařízení se automaticky vrátí do nabíjecí základny. Jakmile se baterie nabije na 80 %, zařízení se pokusí pokračovat z místa, kde skončilo.
- Před úklidem z podlahy odstraňte všechny kabely (včetně síťového kabelu nabíjecí základny). Tím zajistíte, že zařízení nezpůsobí žádné výpadky proudu ani neshodí a nepoškodí žádné předměty.

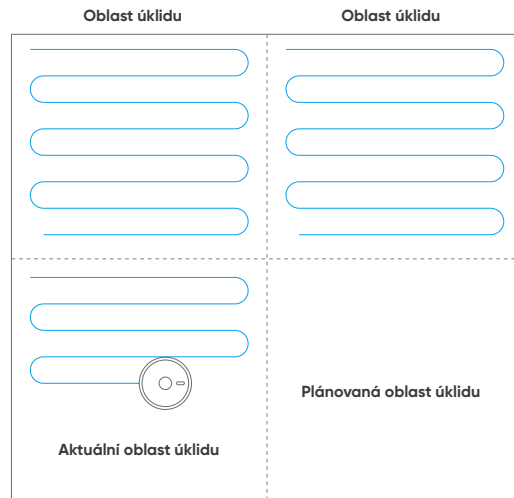
Nabíjení

Automatické: Když zařízení dokončí úklid, automaticky se vrátí do nabíjecí základny. Ruční: Když je zařízení pozastavené, stisknutím tlačítka  nebo pomocí mobilní aplikace spustíte proces dobítí.

Poznámka: Pokud zařízení nemůže najít nabíjecí základnu, vrátí se do své počáteční polohy. Zařízení budete muset do nabíjecí základny vložit ručně.

Automatický úklid

Zařízení po zahájení procesu úklidu zahájí skenování oblasti, vygeneruje mapu a poté inteligentně rozdělí mapy na zóny. Zařízení nejprve každou zónu uklidí podél zdi a poté v obloukovém tvaru uklidí zbývající část zóny. Postupně se uspořádaným, efektivním a úplným způsobem uklidí každá zóna. Jakmile zařízení dokončí úklid, automaticky se vrátí do nabíjecí základny.



Poznámka:


Zařízení během chodu svobodně nebo často nepřesunujte. Zařízení po přesunutí umístěte poblíž jeho původního umístění. Zařízení se po restartování pokusí vrátit na původní souřadnice. Pokud bylo zjišťování polohy úspěšné, zařízení bude pokračovat na své plánované cestě. Pokud bylo zjišťování polohy neúspěšné, zařízení opustí předchozí úkol a pokusí se vytvořit novou mapu, aby restartovalo proces úklidu. Za těchto okolností je možné, že se zařízení nebude moci úspěšně dobít.

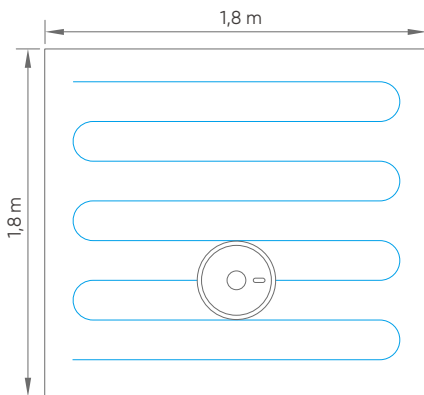
Používání

Úklid skvrn

Pokud v určité oblasti chcete provést hloubkový úklid, zadejte v mobilní aplikaci její polohu. Zařízení se samo vycentruje a dvakrát uklidí oblast v okolí 1,5 m x 1,5 m.

Částečný úklid

Pokud zařízení nemůžete ovládat pomocí mobilní aplikace, přesuňte ho do oblasti úklidu ručně a poté stiskněte tlačítko  a držte ho po dobu 3 sekund. Zařízení se samo vycentruje a jedenkrát uklidí oblast v okolí 1,8 m x 1,8 m.



Vlastní oblast

Pomocí mobilní aplikace nastavte velikost a místo oblastí, které chcete uklidit.

Zakázaná oblast

Pomocí mobilní aplikace definujte jednu nebo více zakázaných oblastí. Zařízení se nebude pokoušet vstupovat do zakázaných oblastí ani je uklízet.

Poznámka:

- **Kvůli chybám zjišťování polohy nebo závadám senzorů se zařízení může dostat do zakázaných oblastí.**
- **Pokud dojde ke změně polohy nábytku a nabíjecí základny, trvale zakázané oblasti mohou přestat být platné. Během chodu zařízení ho nepřesunujte ani s ním nemanipulujte.**
- **Vytvoření nové mapy odstraní všechny trvale zakázané oblasti.**

Plánovaný úklid

Pomocí mobilní aplikace nastavte plánované časy úklidu. Zařízení ve stanovených časech automaticky zahájí proces úklidu a poté se vrátí do nabíjecí základny.

Sání

Pomocí mobilní aplikace si vyberte z následujících režimů vysávání: tichý, standardní, silný, ultra. Výchozí režim je standardní.

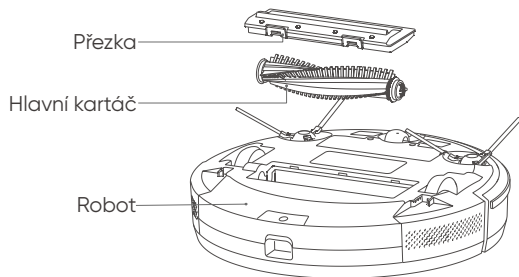
Úroveň vody

Pomocí mobilní aplikace si vyberte z následujících vodních režimů: suchý, nízký, střední, vysoký. Výchozí režim je vysoký.

Běžná údržba

Hlavní kartáč

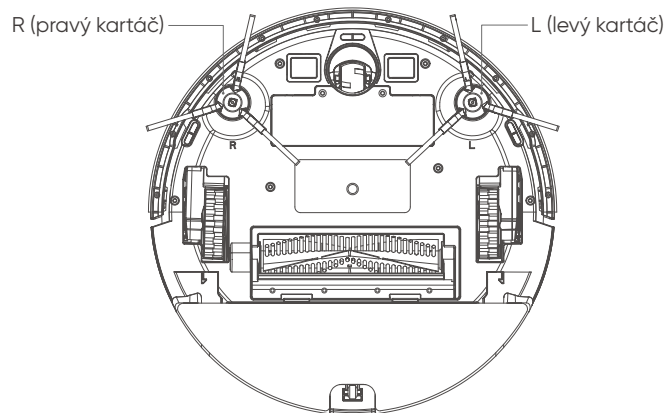
1. Zařízení otočte vzhůru nohama a stisknutím přezky na krytu hlavního kartáče vytáhněte hlavní kartáč.
2. K čištění hlavního kartáče a odstranění jakéhokoliv prachu, který uvízl v otvorech hlavního kartáče, nebo jakýchkoliv předmětů, které se zamotaly do hlavního kartáče, použijte příslušný nástroj.
3. Hlavní kartáč znovu vložte do zařízení, kryt hlavního kartáče zatlačte dolů a zajistěte přezku.



Boční kartáč

1. Zařízení obraťte vzhůru nohama a visle vytáhněte boční kartáč.
2. Odstraňte všechny zamotané vlasy a nečistoty a kartáč znovu vložte do zařízení.
3. Zarovnejte levé a pravé kartáče s příslušnými značkami na dolním krytu a poté zatlačením dolů vložte do přístroje.

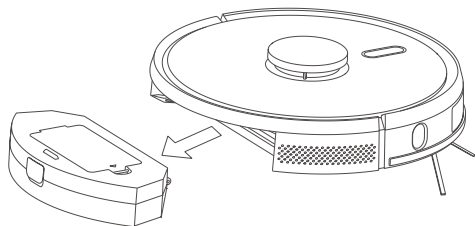
Poznámka: Pro zajištění optimálního výkonu doporučujeme boční kartáč každé 3 až 6 měsíců vyměnit.



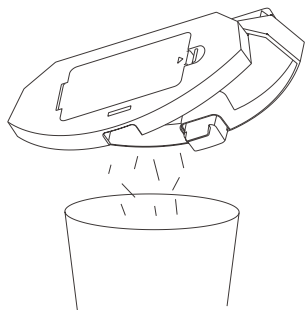
Běžná údržba

Nádoba na prach

1. Stiskněte tlačítko nádoby na prach a podržte ho, poté nádobu na prach zatlačením dozadu vyjměte.

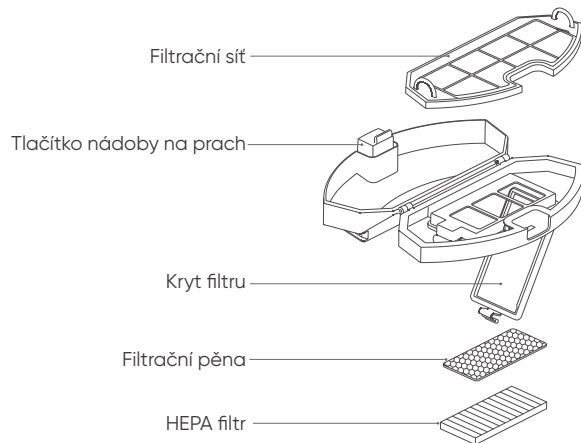


2. Otevřete nádobu na prach a vyprázdněte ji do odpadkového koše.



Filtr

1. Po dlouhodobém používání vyjměte filtrační síť, filtrační pěnu a HEPA filtr.
2. Vyjmutou filtrační síť, pěnu, HEPA filtr a nádobu na prach vypláchněte pod vodovodním kohoutkem.
3. Po vypláchnutí vytřepte všechny kapky vody a poté počkejte, dokud filtry a nádoba na prach úplně nevyschnou.
4. Po důkladném vysušení znovu vložte filtry do zařízení v následujícím pořadí: filtrační síť > filtrační pěna > HEPA filtr.



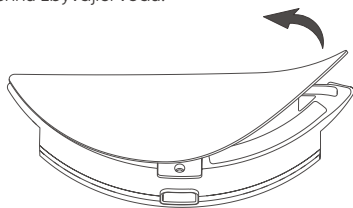
Poznámka:

- Vypláchněte čistou vodou. Nepřidávejte žádné čisticí prostředky.
- Filtr nečistěte kartáčem ani prsty.
- Filtr nechte důkladně vyschnout po dobu nejméně 24 hodin.
- Doporučujeme, abyste každé 3 až 6 měsíců vyměnili filtr.

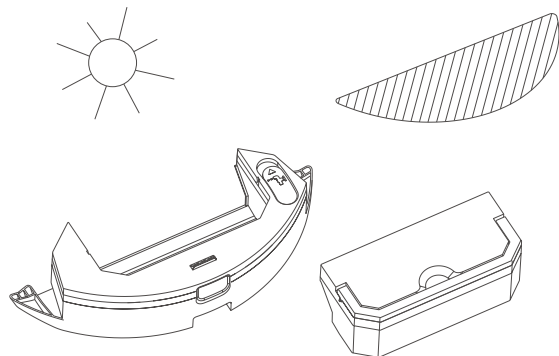
Běžná údržba

Odnímatelná nádržka na vodu typu dva v jednom (Po každém použití vyčistěte.)

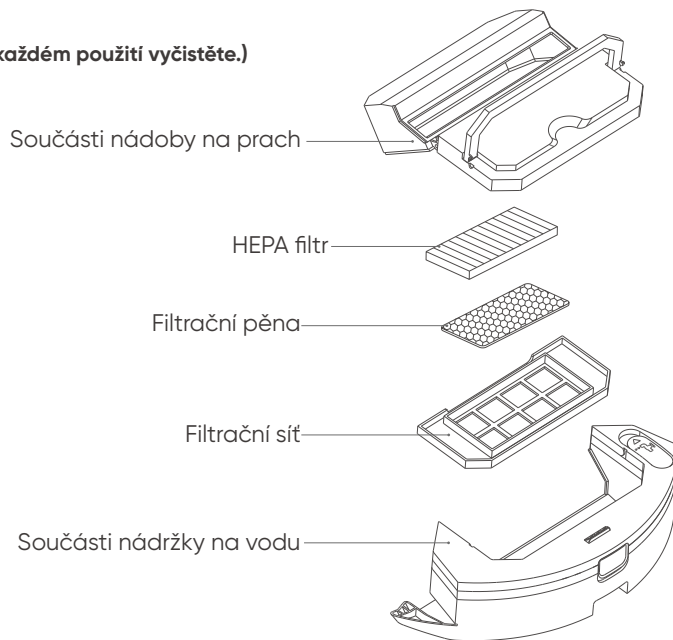
1. Vyměňte čisticí mop a z nádržky na vodu vylijte všechnu zbývající vodu.



2. Umyjte čisticí mop a poté vysušte nádobu na vodu a mop, abyste je připravili na příští použití.



Zvedněte rukojeť, nádobu na prach vytáhněte z nádržky na vodu, vylijte všechnu nadbytečnou vodu a poté nádobu na vodu nechte vyschnout.



Baterie

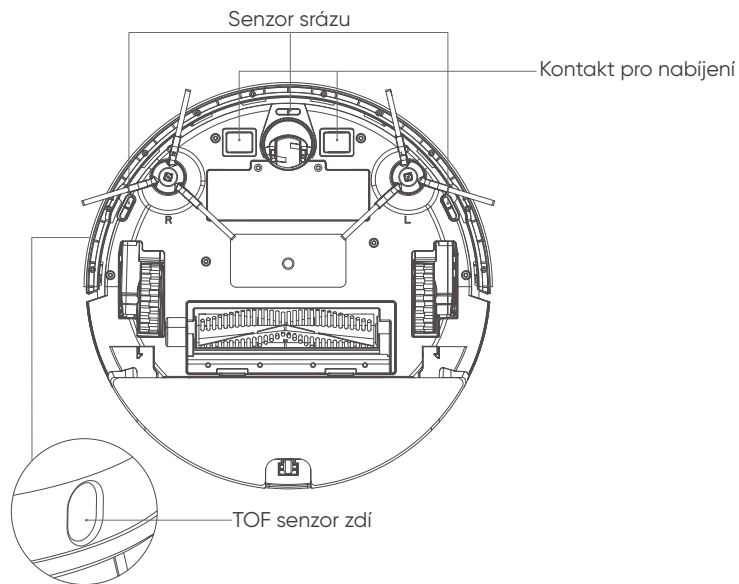
- Tělo zařízení obsahuje balíček lithium-iontových baterií s vysokým výkonem. Pro zajištění optimálního výkonu baterie udržujte zařízení nabitě.
- Pokud zařízení nebudete dlouhou dobu používat, vypněte ho a uschovejte ho na bezpečném místě. Zařízení alespoň jednou za tři měsíce dobijte, abyste zabránili nadměrnému vybití baterie.

Běžná údržba

Senzory (Pravidelně čistěte)

Pomocí suchého měkkého hadříku očistěte všechny senzory na zařízení, včetně následujících:

1. TOF senzor zdi v pravé části robota
2. Senzor srážu v dolní části robota
3. Detekční senzor překážek v přední části robota
4. LiDAR detekční senzor kolizí v horní části robota
5. Kontakt pro nabíjení v dolní části robota a bezdrátový přijímač napájení na nabíjecí základně (Před čištěním odpojte zařízení od elektřiny.)
6. Vysílač nabíjecí základny



Specifikace

Robot

Název produktu	realme TechLife Robot Vacuum
Model	RMH2101
Rozměry	350 x 350 x 100 mm
Hmotnost	3,3 kg
Baterie	Lithiová baterie o kapacitě 5 200 mAh
Napětí příkonu	14,4 V
Jmenovitý výkon	50 W

Nabíjecí základna

Model	RMH2101CB
Rozměry	160 x 143 x 80 mm
Jmenovitý výkon	20 W
Jmenovitý výstup	20 W

Řešení problémů

Chybová zpráva	Řešení
Chyba 1: Vypadá to, že nádoba na prach chybí.	Zařízení bylo spuštěno bez nádoby na prach. Nádobu na prach znovu připojte.
Chyba 2: Vypadá to, že hornímu radaru něco překáží nebo se zasekl.	Horní radar je zakrytý nebo umístěný v otevřené oblasti. Odstraňte kryt horního radaru nebo zařízení přesuňte dovnitř.
Chyba 3: Přesuňte mě do nové polohy a poté restartujte.	Zařízení je aktuálně ve vzduchu. Zařízení přesuňte na rovný povrch a poté ho restartujte.
Chyba 4: Vyčistěte senzor srázu, přesuňte mě do nové polohy a poté restartujte.	Senzoru srázu něco překáží nebo je umístěný ve vyvýšené poloze. Okénko senzoru srázu očistěte pomocí suchého měkkého hadříku, zařízení přemístěte na úroveň země a poté ho restartujte.
Chyba 5: Vyčistěte přední senzor, přesuňte mě do nové polohy a poté restartujte.	Detekční senzor překážek je zašpiněný nebo mu něco překáží. Detekční senzor překážek očistěte pomocí suchého měkkého hadříku.
Chyba 6: Vyčistěte pravý senzor, přesuňte mě do nového místa a poté restartujte.	TOF senzor zdí je zašpiněný nebo mu něco překáží. Očistěte TOF senzor zdí pomocí suchého měkkého hadříku.
Chyba 7: Vyčistěte horní kryt radaru a výrobek přemístěte. Poté ho restartujte.	LIDAR detekční senzor kolizí je zašpiněný nebo mu něco překáží. LIDAR detekční senzor kolizí očistěte pomocí suchého měkkého hadříku.
Chyba 8: Vypadá to, že se zasekl nárazník.	Zasekl se senzor rohů nebo nárazů. Zkontrolujte ucpání tak, že přední nárazník posunete doleva a doprava.
Chyba 9: Vyčistěte nádobu na prach a filtr.	Vyčistěte nádobu na prach a filtr nebo filtr vyměňte.
Chyba 10: Nádoba na prach byla odstraněna. Vyčistěte nádobu na prach a filtr.	Vyčistěte nádobu na prach a filtr nebo filtr vyměňte.
Chyba 11: Zaseknul jsem se! Pomozte mi, prosím!	Zařízení přesuňte na rovný povrch a poté ho restartujte.

Řešení problémů

Chybová zpráva	Řešení
Chyba 12: Dejte mě prosím do vzpřímené polohy!	Zařízení je ve sklonu. Zařízení přesuňte na rovný povrch a poté ho restartujte.
Chyba 13: Vypadá to, že se zasekla kola.	Hlavní kolo se zamotalo nebo zaseklo. Zkontrolujte hlavní kolo a odstraňte všechny cizí předměty.
Chyba 14: Vypadá to, že se zasekl hlavní kartáč.	Hlavní kartáč se zamotal nebo zaseknul. Zkontrolujte hlavní kartáč a odstraňte všechny cizí předměty.
Chyba 15: Vypadá to, že se zasekl boční kartáč.	Boční kartáč se zamotal nebo zaseknul. Zkontrolujte boční kartáč a odstraňte všechny cizí předměty.
Chyba 16: Ale ne! Kde je nabíjecí základna?	Pokud zařízení říká, že nabíjecí základna nebyla nalezena nebo není zapojena, zkontrolujte, že svítí kontrolka nabíjecí základny, nebo zařízení přesuňte zpět do nabíjecí základny.
Chyba 17: Ale ne! V programu došlo k chybě. Restartujte mě, prosím!	Tuto chybu způsobila neznámá závada. Výrobek restartujte.
Chyba 18: Závada způsobila, že se zařízení automaticky vypnulo.	Výrobek restartujte. Pokud problém přetrvává, obraťte se na poprodejní podporu.
Chyba 19: Baterie má nízkou úroveň nabití a musíte ji dobít.	Výrobek umístěte do nabíjecí základny.
Chyba 20: Chcete-li zařízení vypnout, přesuňte ho z nabíjecí základny a zkuste to znovu.	Výrobek nelze vypnout, když se nachází v nabíjecí základně. Výrobek přesuňte z nabíjecí základny a stiskněte a podržte tlačítko napájení.

Běžné problémy

Typ problému	Řešení
Nelze spustit	<ul style="list-style-type: none">• Baterie má nízkou úroveň nabití. Výrobek umístěte na nabíjecí základnu a zarovnejte ho s bezdrátovým přijímačem napájení. Zařízení by se mělo automaticky zapnout. Pokud bylo zařízení vypnuté, může nějakou dobu trvat, než se zapne.• Okolní teplota překračuje normální provozní rozsah 0 až 40 °C. Výrobek používejte pouze v prostředích s teplotou v tomto rozsahu.
Nelze nabít	<ul style="list-style-type: none">• Odstraňte zařízení a zkontrolujte, zda svítí kontrolka na nabíjecí základně. Zkontrolujte, že oba konce síťového adaptéru nabíjecí základny jsou zapojené, přední strana zařízení směřuje k nabíjecí základně a vzdálenost mezi přední stranou zařízení a nabíjecí základnou je zhruba 2 cm.• Připojení může být slabé. Vyčistěte kontakty pro nabíjení na bezdrátovém přijímači napájení a na těle zařízení, nebo odstraňte boční kartáče.• Zařízení nabíjejte při okolní teplotě 0 až 40 °C.
Nelze dobít	Výrobek je příliš daleko od nabíjecí základny. Přesuňte ho blíže a zkuste to znovu.
Nadměrný hluk během provozu	Do hlavního kartáče, bočních kartáčů nebo kol se zamotal cizí předmět. Vypněte výrobek a vyčistěte ho.
Snižžený výkon nebo unikající prach	<ul style="list-style-type: none">• Nádoba na prach je plná. Musíte ji vyčistit.• Filtr je ucpaný a musíte ho vyčistit nebo vyměnit.• Do hlavního kartáče se zapletl cizí předmět. Musíte ho vyčistit.
Nelze se připojit k Wi-Fi	<ul style="list-style-type: none">• Signál Wi-Fi je slabý. Ujistěte se, že výrobek je v oblasti s dobrým pokrytím sítě Wi-Fi.• Došlo k chybě s připojením Wi-Fi. Resetujte připojení Wi-Fi, stáhněte si nejnovější verzi mobilního klienta a zkuste to znovu.• Zadané heslo není správné.• Na směrovači běží síť s frekvencí 5 GHz. Tento výrobek podporuje připojení pouze k sítím s frekvencí 2,4 GHz.
Spotřeba energie v nabíjecí základně	Když je výrobek v nabíjecí základně, spotřebovává malé množství energie, aby se zajistil optimální výkon baterie.

Pokud potřebujete další pomoc, naskenujte QR kód



Sicherheitsinformationen

Nutzungseinschränkungen

- Das Produkt ist nur für die Bodenreinigung in häuslicher Umgebung bestimmt und kann nicht für den Außenbereich (z. B. offene Terrasse), nicht bodennahen Bereich (z. B. Sofa) und gewerbliche oder industrielle Umgebungen verwendet werden.
- Das Produkt nicht in Bereichen in der Luft (z. B. Penthouse, offene Terrasse und auf Möbeln) ohne Schutzzaun verwenden.
- Das Produkt nicht bei einer Temperatur über 40 °C oder unter 0 °C oder wenn sich Flüssigkeiten und klebrige Substanzen auf dem Boden befinden verwenden.
- Kabel auf dem Boden vor der Verwendung aufhängen, damit sie nicht vom Roboter mitgeschleift werden.
- Zerbrechliche Gegenstände und Verunreinigungen (z. B. eine Vase oder Plastiktüte usw.) auf dem Boden entfernen, um eine Beschädigung von Wertgegenständen zu vermeiden, wenn der Roboter stecken bleibt oder leicht anstößt.
- Dieses Gerät kann von Kindern ab 8 Jahren und älter sowie von Personen mit verringerten physischen, sensorischen oder mentalen Fähigkeiten oder Mangel an Erfahrung und Wissen benutzt werden, wenn sie beaufsichtigt oder bezüglich des sicheren Gebrauchs des Geräts unterwiesen wurden und die daraus resultierenden Gefahren verstehen. Kinder dürfen nicht mit dem Gerät spielen. Die Reinigung und Benutzerwartung darf nicht von Kindern ohne Aufsicht durchgeführt werden.
- Die Hauptbürste und andere Reinigungswerkzeuge außerhalb der Reichweite von Kindern aufbewahren.
- Keine Gegenstände (auch keine Kinder und Haustiere) auf ein stehendes oder sich bewegendes Gerät platzieren.
- Haare, Finger und andere menschliche Körperteile oder Haustiere vom Saugeinlass fernhalten, wenn das Gerät in Betrieb ist.
- Das Produkt nicht zum Kehren von brennenden Gegenständen (z. B. brennende Zigarettenkippen) verwenden.
- Das Produkt nicht zur Reinigung von langflorigen Teppichen verwenden (einige dunkle Teppiche lassen sich möglicherweise nicht normal reinigen).
- Verhindern, dass der Roboter harte oder scharfe Gegenstände ansaugt (z. B. Dekorationsabfälle, Glas und Eisennägel usw.).
- Die Maschine nicht bewegen, indem sie an der Schutzabdeckung des LiDAR und dem Kollisionsschutz gehalten wird.
- Den Roboter und die Ladestation im heruntergefahrenen oder ausgeschalteten Zustand reinigen oder warten.
- Keine Teile des Produkts mit einem feuchten Tuch oder einer Flüssigkeit abwischen.
- Das Produkt gemäß der Bedienungsanleitung verwenden. Für Schäden und Verletzungen, die durch unsachgemäßen Gebrauch entstehen, haftet der Benutzer.
- Die Wischfunktion nicht für Teppiche und Möbeloberseiten verwenden.
- Darauf achten, den Wassertank zu entfernen, wenn das Gerät geladen wird.

Sicherheitsinformationen

1. Das Gerät darf nur mit dem mitgelieferten Netzteil verwendet werden.
2. Das Netzteil muss vor der Reinigung oder Wartung des Geräts aus der Steckdose entfernt werden.
3. Dieses Gerät enthält Akkus, die nur von Fachkräften ausgetauscht werden dürfen.
4. Der Akku muss aus dem Gerät entfernt werden, bevor es entsorgt wird.
5. Beim Entfernen des Akkus muss das Gerät vom Stromnetz getrennt werden.
6. Der Akku ist sicher zu entsorgen.
7. **WARNUNG:** Zum Aufladen des Akkus nur das abnehmbare Netzteil verwenden, das mit diesem Gerät geliefert wird.

Steckertyp	Modell	Eingang	Ausgang
EU	GA241-2001000E	100-240 V AC 50/60 Hz 0,6 A	20 V 1 A
UK	GA241-2001000B	100-240 V AC 50/60 Hz 0,6 A	20 V 1 A
USA	GA241-2001000U	100-240 V AC 50/60 Hz 0,6 A	20 V 1 A
Indien	GA241-2001000I	100-240 V AC 50/60 Hz 0,6 A	20 V 1 A

Akku und Laden

- Akku, Ladestation oder Ladegerät von Drittanbietern nicht verwenden.
- Den Akku oder die Ladestation nicht willkürlich zerlegen, entfernen oder wiedereinsetzen.
- Die Ladestation von Hitzequellen (wie eine Heizplatte) fernhalten.
- Die Ladestation nicht mit einem nassen Tuch oder mit nassen Händen abwischen oder reinigen.
- Verbrauchte Akkus nicht willkürlich entsorgen. Verbrauchte Akkus sind durch professionelle Recycling-Unternehmen zu entsorgen.
- Wenn ein Stromkabel beschädigt oder gerissen ist, dieses sofort nicht mehr verwenden und auf offiziellem Weg ersetzen.
- Sicherstellen, dass der Roboter während des Transports heruntergefahren ist und das Produkt in der Originalverpackung transportiert wird.
- Wenn das Gerät lange unbenutzt bleibt, sollte es vollständig aufgeladen und dann an einem kühlen und trockenen Ort aufbewahrt werden. Das Gerät mindestens alle 3 Monate aufladen, um eine Beschädigung der Akkus durch zu starke Entladung zu vermeiden.

Sicherheitsinformationen

Entsorgungsanweisungen

- Die folgenden Informationen gelten nur für die Entsorgung dieses Produkts, nicht für dessen täglichen Gebrauch.
- Die im Akku des Roboters enthaltenen chemischen Substanzen belasten die Umwelt. Vor der Entsorgung des Produkts den Akku aus dem Roboter entfernen und ihn zu einem professionellen Recycling-Betrieb bringen. Der Akku sollte erst dann entfernt werden, wenn er vollständig entleert ist. Den Akku unter keinen Umständen mit Metallgegenständen in Berührung kommen lassen.
- Entfernen des Akkus:
 1. Sicherstellen, dass der Roboter die Ladestation nicht berührt und das Produkt laufen lassen bis der Akku vollständig entleert ist und sich abschaltet.
 2. Die Schrauben von der Akkuabdeckung entfernen.
 3. Die Akkuabdeckung entfernen, den Akkustecker abziehen und dann den Akku entfernen.

Laser-Sicherheitsinformationen

- Der LiDAR des Produkts entspricht der Norm für Laserprodukte der Klasse 1 der IEC60825 und erzeugt keine gefährliche Laserstrahlung.
- Laserklasse IEC-60825 Klasse 1
- Die maximale Laser-Ausgangsleistung des Produkts ist 10 mW
- Laserkopf Pulszeit (1/2300 s)
- Unsichtbare Laser-Strahlung
- Eine Exposition der Laserenergie in der Nähe der Öffnung kann zu Verbrennungen führen.
- Norm: IEC 60825-1:2014

Frequenz	2,4 Ghz ~ 2,4835 Ghz
Leistung	≤17 dBm

Warnung



Dieses Symbol bedeutet, dass Ihr Produkt und/oder sein Akku gemäß den örtlichen Gesetzen und Vorschriften getrennt vom Hausmüll entsorgt werden muss. Wenn dieses Produkt sein Lebensende erreicht, hat der Benutzer die Möglichkeit, sein Produkt an ein sachkundiges Recycling-Unternehmen zu übergeben. Das ordnungsgemäße Recycling Ihres Produkts schützt die Gesundheit und die Umwelt.



Nur für den Innenbereich

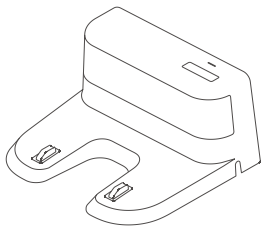
Akkuwarnung

1. In dieses Produkt ist ein Lithium-Akku eingebaut. Er darf nicht zerlegt, getroffen, herausgedrückt oder einem Feuer ausgesetzt werden.
2. Ein Akku, der einem extrem niedrigen Luftdruck ausgesetzt ist, kann zu einer Explosion oder zum Austreten von brennbaren Flüssigkeiten oder Gasen führen.
3. Den Akku nicht in eine Umgebung mit hohen Temperaturen legen oder ihn nicht der Sonne aussetzen; dies könnte zu einer Explosion führen.
4. Das Produkt nicht weiter verwenden, wenn der Akku aufgebläht zu sein scheint.
5. Den Akku entsprechend den örtlichen Vorschriften entsorgen. Den Akku nicht im Hausmüll entsorgen.
6. Nicht versuchen, den Akku zu reparieren, zu zerlegen oder zu modifizieren. Das Ersetzen des Akkus durch einen falschen Typ kann zu einer Explosion führen.
7. Keinen Druck auf den Akku ausüben und ihn nicht mit harten Gegenständen durchstechen. Eine Beschädigung des Akkus kann zum Auslaufen des Akkus, zur Überhitzung oder zu Bränden führen.

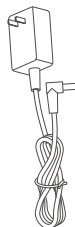
Hiermit erklärt realme, dass dieses Gerät mit den grundlegenden Anforderungen und anderen relevanten Bestimmungen der Funkanlagenrichtlinie 2014/53/EU übereinstimmt. Die Konformitätserklärung ist verfügbar unter www.realme.com/global/support/declaration.

Produkteinführung

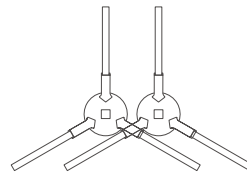
Lieferumfang



Ladestation x1



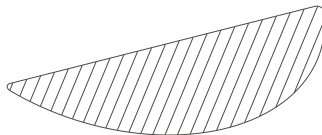
Adapter x1



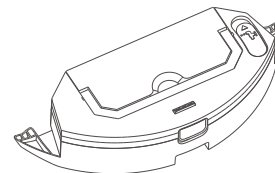
L Seitenbürste x1
R Seitenbürste x1



Reinigungsbürste x1



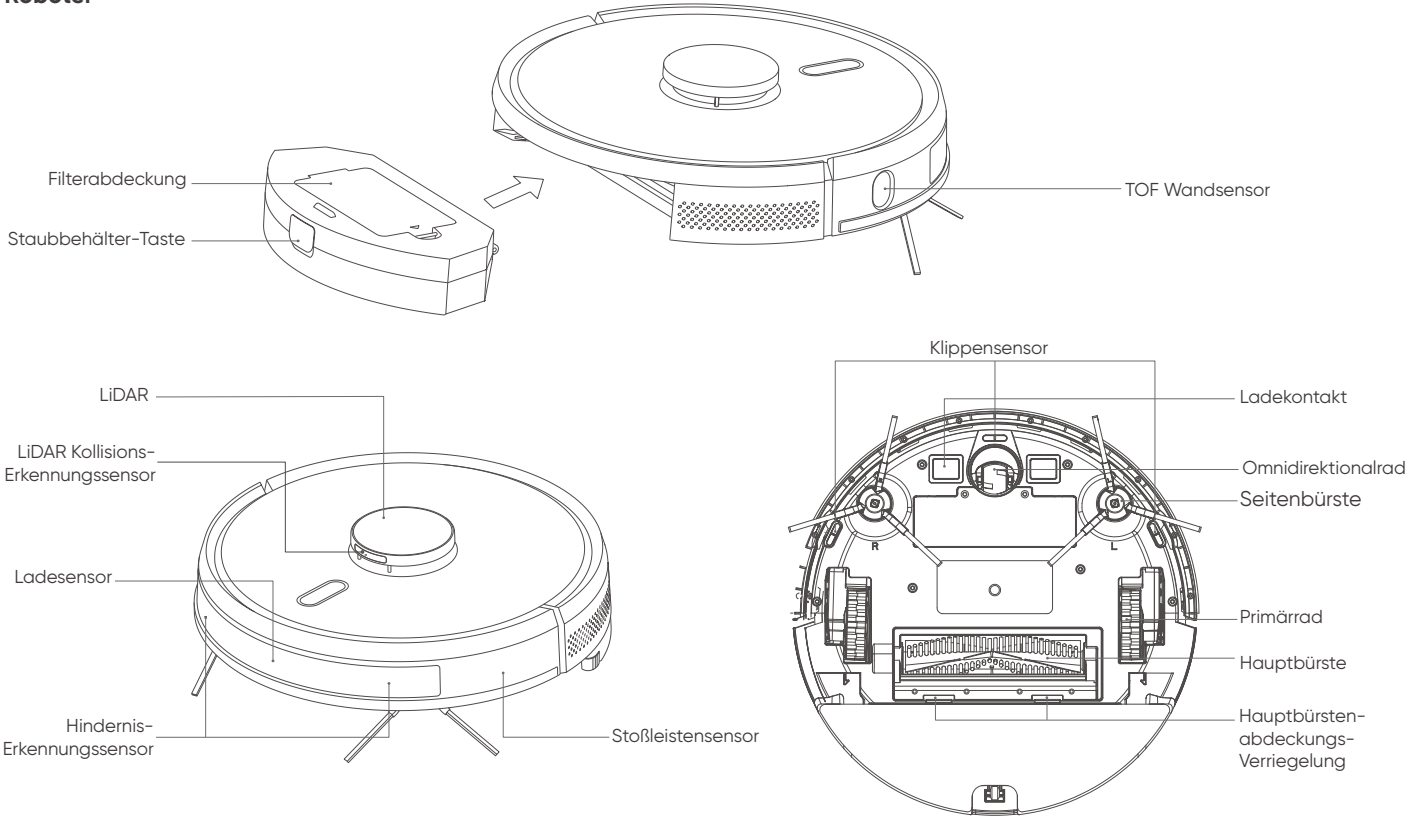
Waschbares Mopp-Pad x 2 (optional)
Wegwerf-Mopp-Pad x 10 (optional)



Abnehmbarer 2-in-1-Wassertank (optional)

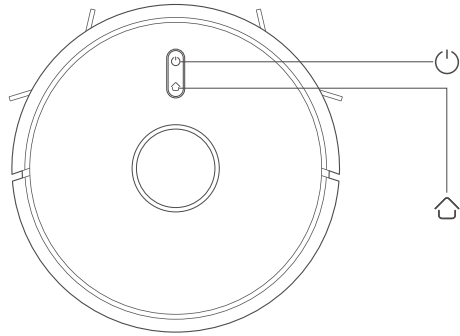
Produkteinführung

Roboter



Produkteinführung

Roboter



An/Aus/Reinigen/Pause

- Drücken, um die Reinigung zu starten/pausieren
- Drücken und 3 Sekunden lang gedrückt halten, um das Gerät ein-/auszuschalten
- Wenn ein Fehler aufgetreten ist, 15 Sekunden lang drücken, um ein Herunterfahren zu erzwingen

Laden/Teilweise Reinigen/Pause

- Zum Aufladen/Pausieren drücken
- Zum Starten der teilweisen Reinigung drücken und gedrückt halten

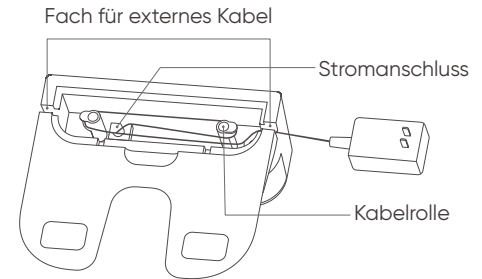
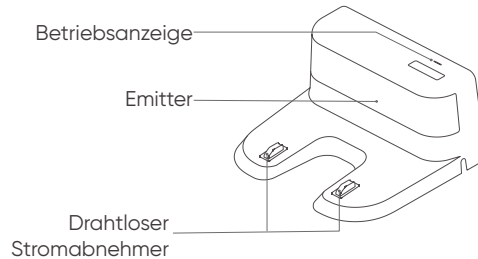
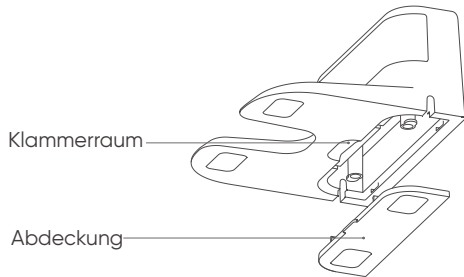
Anzeige

- Weiß: Mit WLAN verbunden
- Orange: Nicht mit WLAN verbunden
- Rot: Fehler oder niedriger Akkustand

WLAN-Reset

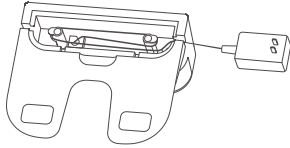
- Beide Tasten drücken und 3 Sekunden lang gedrückt halten

Ladestation

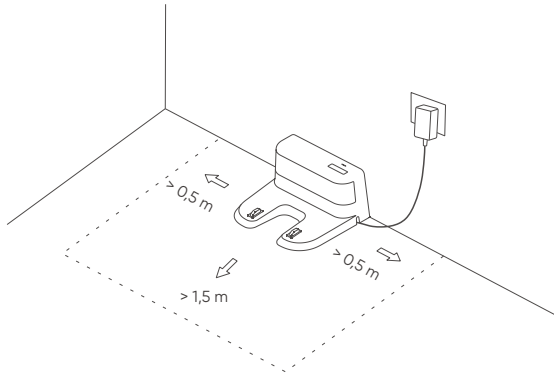


Installation

1. Das Stromversorgungskabel anschließen und dann das übrige Kabel im Kabelfach versteuen.



2. Die Ladestation an der Wand auf einer ebenen Oberfläche platzieren und dann an die Stromversorgung anschließen.

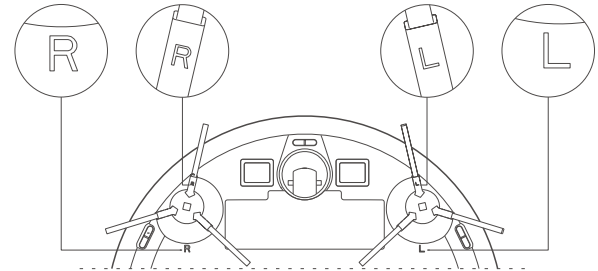


Hinweis:

- Sicherstellen, dass die Ladestation an beiden Seiten mindestens 0,5 m und vorne 1,5 m Freiraum hat.
- Während der Installation das Netzkabel vom Boden weghalten. Wenn das Netzkabel auf dem Boden liegt, kann es vom Gerät mitgeschleift werden, wodurch sich die Ladestation ausschaltet.
- Die Ladeanzeige leuchtet so lange, wie Strom fließt.

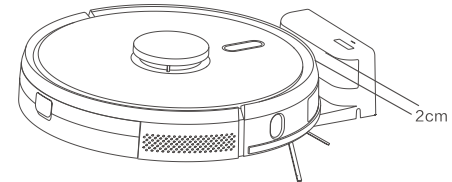
3. Die Seitenbürsten installieren

Die linke und rechte Bürste an den entsprechenden Markierungen auf der unteren Abdeckung ausrichten. Nach unten drücken, bis ein Klicken zu hören ist, das die erfolgreiche Installation anzeigt.



4. Einschalten und Laden

Die Taste (⏻) drücken und gedrückt halten, um das Gerät einzuschalten. Warten, bis die Anzeige leuchtet, und das Gerät dann an die Ladestation stellen.

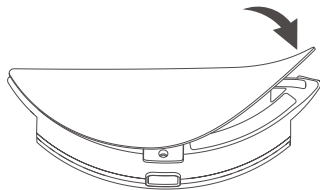


Hinweis: Das Gerät kann nicht starten, wenn es nicht genügend Akkuleistung hat. Das Gerät an die Ladestation stellen und es schaltet sich automatisch ein, wenn es genug Leistung hat. Das Gerät kann nur normal arbeiten, wenn der Akku $\geq 20\%$ geladen ist. Wie in der Abbildung gezeigt, sollte die Vorderseite des Geräts der Ladestation zugewandt sein, so dass der Ladekontakt des Roboters den drahtlosen Stromabnehmer berührt. Der Abstand zwischen der Vorderseite des Geräts und der Ladestation sollte etwa 2 cm betragen.

Mopp-Satz

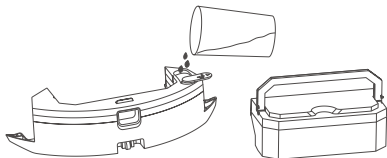
1. Den abnehmbaren 2-in-1-Wassertank montieren

① Den Wischmopp installieren: Den Mopp gleichmäßig über den Boden des Wassertanks anbringen.



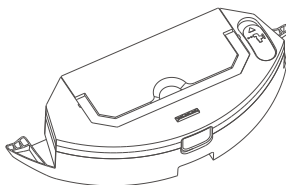
Hinweis: Den Mopp nach jedem Gebrauch reinigen, um eine optimale Leistung zu gewährleisten.

② Den Wassertank auffüllen: Den Deckel öffnen, den Tank mit Wasser füllen und dann den Deckel schließen.

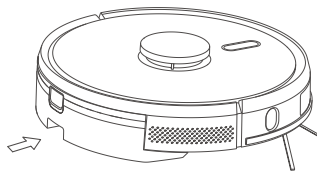


Hinweis: Es wird empfohlen, den Staubbehälter vor dem Befüllen des Wassertanks zu entfernen. Dadurch wird sichergestellt, dass kein Wasser in den Staubbehälter gelangt. Den Griff anheben, den Staubbehälter aus dem Wassertank nehmen, den Tank mit Wasser füllen und dann den Deckel schließen.

③ Den Wassertank installieren.



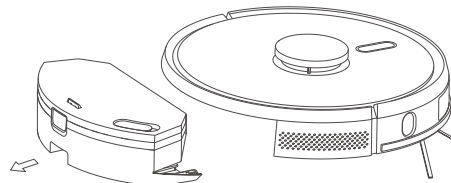
Den Staubbehälter in den Wasserkasten einsetzen und sicherstellen, dass der Griff bündig ist.



Die Taste in der Mitte des Wassertanks drücken und gedrückt halten und ihn dann waagrecht entlang der Rückseite des Gerätegehäuses schieben. Wenn die Installation erfolgreich ist, ist ein Klicken zu hören.

2. Den abnehmbaren 2-in-1-Wassertank entfernen

Wenn das Gerät mit der Reinigung fertig ist, die Taste in der Mitte des Wassertanks drücken und gedrückt halten, den Tank nach hinten abziehen, das restliche Wasser aus dem Tank gießen und dann den Mopp reinigen (das Gerät darf während der Reinigung nicht bewegt oder umgedreht werden).



3. Verwendung

- ① Den Wassertank nicht verwenden, wenn niemand zu Hause ist.
- ② Aus Sicherheitsgründen den Wassertank entfernen, wenn er nicht benutzt wird und wenn das Gerät geladen wird.
- ③ Die Wischfunktion nicht auf Teppichen verwenden. Das Betreten von Teppichböden mit der Sperrbereich-Funktion in der mobilen App verhindern.
- ④ Um eine optimale Wischleistung zu gewährleisten, den Bereich dreimal mit dem Gerät reinigen, bevor das Wischmodul installiert wird.
- ⑤ Wenn während einer Reinigungsaufgabe Wasser nachgefüllt oder der Mopp gereinigt werden muss, das Gerät anhalten und die oben genannten Schritte ausführen. Das Gehäuse des Geräts nicht bewegen oder drehen, um Positionierungsfehler und den Verlust der Karte zu vermeiden.
- ⑥ Während die Wischfunktion des Geräts Oberflächen wischen kann, um die Tiefenreinigung zu unterstützen, kann es hartnäckige Flecken nicht auf die gleiche Weise entfernen wie ein Mensch.

Mit realme Link verbinden

App herunterladen

Methode 1: Den App Store öffnen und die realme Link App herunterladen.
Methode 2: Den QR-Code unten scannen.





Gerät hinzufügen

Die mobile App öffnen und die Taste + auf der Startseite auswählen, um zur Auswahlseite des Geräts zu gelangen. Reinigungsroboter auswählen und dann das Gerät in der App hinzufügen, indem folgende Anweisungen befolgt werden.

Firmware-Aktualisierung

Die mobile App öffnen und zur Seite Firmware aktualisieren navigieren, warten bis die App die neue Firmware erkennt und dann den Anweisungen folgen. Der Akku muss $\geq 50\%$ geladen sein, um eine Aktualisierung der Firmware durchzuführen. Es wird empfohlen, das Gerät während einer Firmware-Aktualisierung an die Ladestation zu stellen.


WLAN-Reset

Wenn Ihr Telefon aufgrund von Änderungen der Routerkonfiguration, des Passworts oder aus anderen Gründen keine Verbindung mehr zu Ihrem Gerät herstellen kann, die Tasten  und  gleichzeitig 3 Sekunden lang gedrückt halten. Sie sollten „WLAN wurde zurückgesetzt“ hören.



Verwendung

Ein/Aus

Die Taste  3 Sekunden lang gedrückt halten. Die Anzeige sollte aufleuchten, um anzuzeigen, dass er eingeschaltet ist.

Hinweis: Das Gerät kann während des Ladens nicht ausgeschaltet werden.

Reinigen/Pause

Sobald das Gerät eingeschaltet ist, die Taste  am Roboter drücken oder die mobile App verwenden, um den Reinigungsvorgang zu starten.


(Während der Reinigung irgendeine Taste drücken, um zu pausieren)

Hinweis:

- Reinigungsroboter können nicht zur Reinigung von Flüssigkeiten verwendet werden.
- Wenn der Akkustand weniger als 20 % beträgt, kann das Gerät keine Reinigungsaufgaben durchführen. Das Gerät aufladen, bevor Sie versuchen, zu reinigen.
- Wenn der Akkustand während des Reinigungsvorgangs unter 20 % fällt, kehrt das Gerät automatisch an die Ladestation zurück. Sobald der Akku zu 80 % geladen ist, versucht das Gerät, dort weiterzumachen, wo es aufgehört hat.
- Vor der Reinigung alle Kabel (auch das Netzkabel der Ladestation) vom Boden entfernen. Dadurch wird sichergestellt, dass das Gerät keine Stromausfälle oder Schäden an Gegenständen oder Kabeln durch Mitschleppen verursacht.

Aufladen

Automatik: Wenn das Gerät mit der Reinigung fertig ist, kehrt es automatisch zur Ladestation zurück.

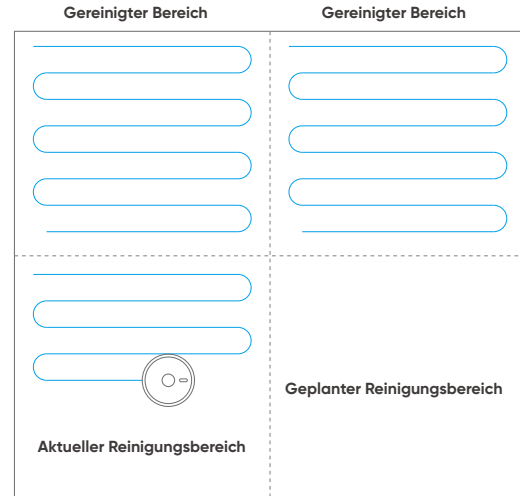
Manuell: Während das Gerät pausiert ist, die Taste  drücken oder die mobile App verwenden, um den Ladevorgang zu starten.

Hinweis: Wenn das Gerät die Ladestation nicht finden kann, kehrt es in seine Ausgangsposition zurück.

Das Gerät muss manuell an die Ladestation gestellt werden.

Automatische Reinigung

Wenn der Reinigungsvorgang beginnt, scannt das Gerät den Bereich, erstellt eine Karte und teilt diese dann intelligent in Zonen ein. Das Gerät reinigt zuerst jede Zone entlang der Wände und dann den Rest der Zone in einer Bogenform. Jede Zone wird nacheinander auf geordnete, effiziente und umfassende Weise gereinigt. Wenn der Reinigungsvorgang beendet ist, kehrt das Gerät automatisch zur Ladestation zurück.



Hinweis:


Das Gerät während des Betriebs nicht willkürlich oder häufig bewegen. Nachdem das Gerät bewegt wurde, es in der Nähe seines ursprünglichen Standorts stellen. Nach dem Neustart versucht das Gerät, seine ursprünglichen Koordinaten wiederzufinden. Ist die Positionierung erfolgreich, fährt das Gerät auf seinem geplanten Weg weiter. Wenn die Positionierung fehlschlägt, bricht das Gerät die vorherige Aufgabe ab und versucht, eine neue Karte zu erstellen, um den Reinigungsprozess neu zu starten. In diesem Fall kann das Gerät möglicherweise nicht erfolgreich aufladen.

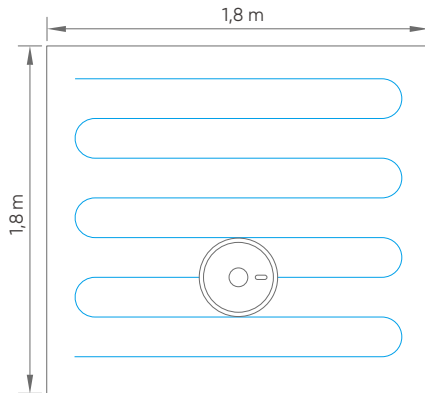
Verwendung

Punktreinigung

Wenn ein bestimmter Bereich tief gereinigt werden soll, dessen Ort in der mobilen App angeben. Das Gerät zentriert sich selbst und reinigt den Bereich von 1,5 m x 1,5 m um sich selbst herum zweimal.

Teilweise Reinigung

Wenn das Gerät nicht über die mobile App gesteuert werden kann, es stattdessen manuell zu dem Bereich bewegen, der gereinigt werden soll, und dann die Taste  3 Sekunden lang gedrückt halten. Das Gerät zentriert sich selbst und reinigt den Bereich von 1,8 m x 1,8 m um sich selbst herum einmal.



Benutzerdefinierter Bereich

Die mobile App verwenden, um Größe und Ort des Bereichs oder der Bereiche einzustellen, die gereinigt werden sollen.

Sperrbereich

Die mobile App verwenden, um einen oder mehrere Sperrbereiche zu definieren. Das Gerät versucht nicht, Sperrbereiche zu betreten oder zu reinigen.

Hinweis:

- **Das Gerät kann aufgrund von Ursachen wie Positionierungsfehlern oder Sensorausfällen in Sperrbereiche eindringen.**
- **Dauerhafte Sperrbereiche können ungültig werden, wenn wesentliche Änderungen an der Position von Möbeln und der Ladestation auftreten. Das Gerät nicht bewegen und nicht in das Gerät eingreifen, während es in Betrieb ist.**
- **Beim Erstellen einer neuen Karte werden alle dauerhaften Sperrbereiche entfernt.**

Geplante Reinigung

Die mobile App verwenden, um die geplanten Reinigungszeiten einzustellen. Das Gerät beginnt während der eingestellten Zeiten automatisch mit der Reinigung und kehrt nach Beendigung in die Ladestation zurück.

Saugen

Die mobile App verwenden, um zwischen den Saugmodi Leise, Standard, stark oder Ultra auszuwählen. Der Standardmodus ist Standard.

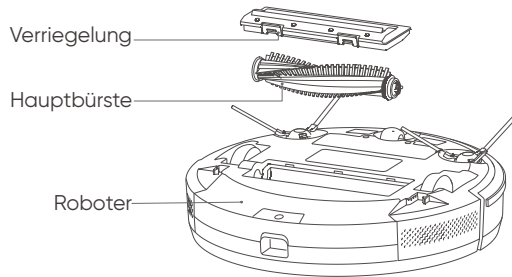
Wasserstand

Die mobile App verwenden, um zwischen den Modi Trocken, wenig, mittel oder viel Wasser zu wählen. Der Standardmodus ist viel.

Rutinewartung

Hauptbürste

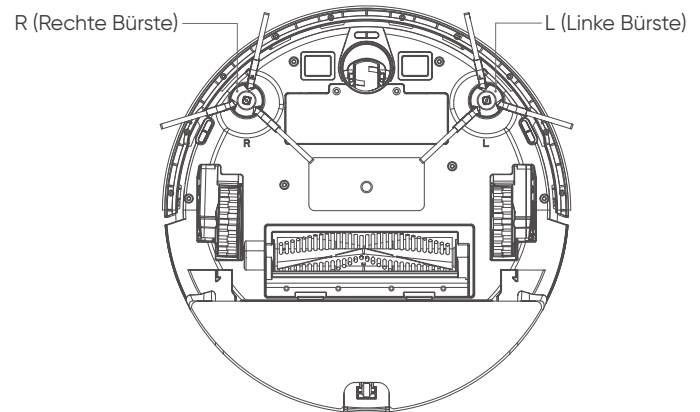
1. Das Gerät umdrehen und die Verriegelung an der Abdeckung der Hauptbürste drücken, um die Hauptbürste herauszunehmen.
2. Das entsprechende Werkzeug verwenden, um die Hauptbürste, jeglichen Staub, der sich in den Hohlräumen der Hauptbürste festgesetzt hat, und alle Objekte, die sich in der Hauptbürste gefangen haben, zu reinigen.
3. Die Hauptbürste wieder einsetzen, die Abdeckung der Hauptbürste nach unten drücken und die Verriegelung befestigen.



Seitenbürste

1. Das Gerät umdrehen und die Seitenbürste vertikal herausziehen.
2. Die Bürste nach dem Entfernen von aufgewickelten Haaren oder Schmutz wieder einsetzen.
3. Die linke und rechte Bürste an den entsprechenden Markierungen auf der unteren Abdeckung ausrichten und dann nach unten drücken, um sie zu installieren.

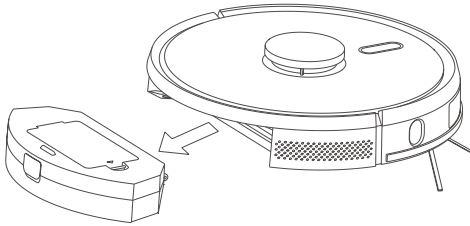
Hinweis: Es wird empfohlen, die Seitenbürste alle 3-6 Monate auszutauschen, um eine optimale Leistung zu gewährleisten.



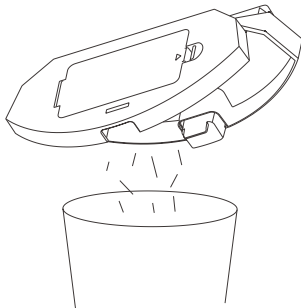
Rutinewartung

Staubbehälter

1. Die Taste am Staubbehälter drücken und gedrückt halten und dann am Staubbehälter ziehen, um ihn herauszunehmen.

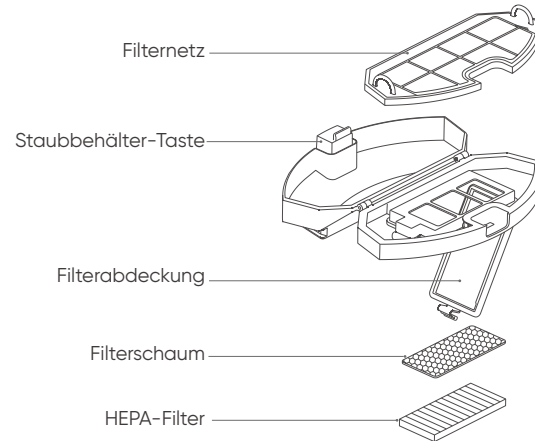


2. Den Staubbehälter öffnen und ihn in den Abfall entleeren.



Filter

1. Nach einer längeren Verwendungszeit Filternetz, Filterschaum und HEPA-Filter entfernen.
2. Entfernte Filternetz, Filterschaum, HEPA-Filter und Staubbehälter unter dem Wasserhahn spülen.
3. Nach dem Spülen Wassertropfen abschütteln und dann warten bis die Filter und der Staubbehälter vollständig abgetrocknet sind.
4. Nach sorgfältiger Trocknung die Filter in folgender Reihenfolge wieder einsetzen: Filternetz > Filterschaum > HEPA-Filter.



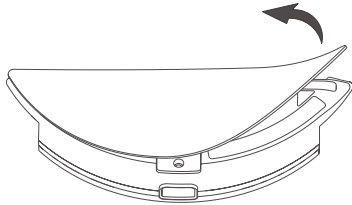
Hinweis:

- Mit sauberem Wasser spülen. Keine Reinigungsmittel hinzufügen.
- Den Filter nicht mit einer Bürste oder den Fingern reinigen.
- Den Filter sorgfältig mindestens 24 Stunden lang trocknen lassen.
- Es wird empfohlen, den Filter alle 3-6 Monate zu ersetzen.

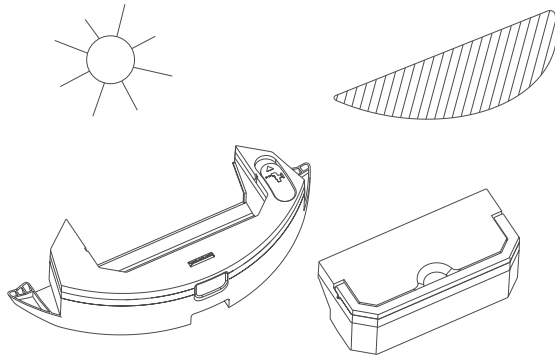
Rutinewartung

Abnehmbarer 2-in-1-Wassertank (nach jeder Verwendung reinigen)

1. Den Wischmopp entfernen und das restliche Wasser aus dem Tank ausgießen.

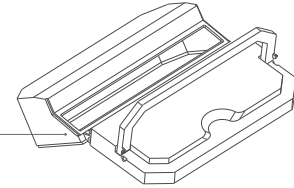


2. Den Wischmopp waschen und dann den Wassertank und den Mopp trocknen, um ihn für den nächsten Einsatz vorzubereiten.

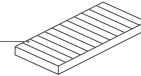


Den Griff anheben, den Staubbehälter aus dem Wassertank nehmen, überschüssiges Wasser ausgießen und dann den Wassertank trocknen.

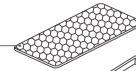
Staubbehälter-Komponenten



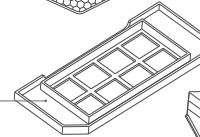
HEPA-Filter



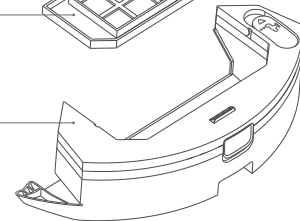
Filterschaum



Filternetz



Wassertank-Komponenten



Akku

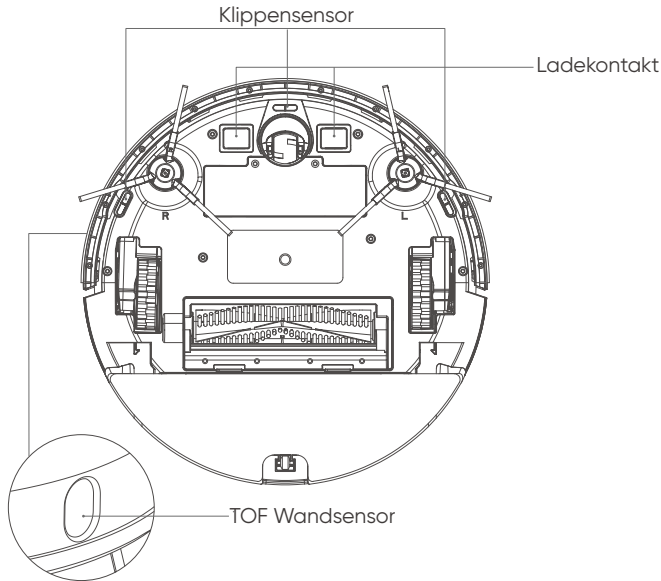
- Das Gehäuse des Geräts ist mit einem Lithium-Ionen-Hochleistungsakkupack ausgestattet. Um eine optimale Akkuleistung zu gewährleisten, das Gerät geladen halten.
- Wenn das Gerät über einen längeren Zeitraum nicht benutzt werden soll, es ausschalten und an einem sicheren Ort aufbewahren. Das Gerät mindestens alle 3 Monate aufladen, um eine Beschädigung des Akkus durch Tiefentladung zu vermeiden.

Rutinewartung

Sensoren (regelmäßig reinigen)

Mit einem weichen, trockenen Tuch alle Sensoren des Geräts abwischen, einschließlich der folgenden:

1. Der TOF Wandsensor rechts am Roboter
2. Der Klippensensor an der Unterseite des Roboters
3. Den Hindernis-Erkennungssensor vorne am Roboter
4. Den LiDAR Kollisions-Erkennungssensor oben am Roboter
5. Den Ladekontakt am Boden des Roboters und den drahtlosen Stromabnehmer an der Ladestation (vor dem Reinigen den Strom abschalten)
6. Den Emitter der Ladestation



Technische Daten

Roboter

Produktname	realme TechLife Robot Vacuum
Modell	RMH2101
Abmessungen	350x350x100 mm
Gewicht	3,3 kg
Akku	5200 mAh Lithium-Akku
Eingangsspannung	14,4 V
Nennleistung	50 W

Ladestation

Modell	RMH2101CB
Abmessungen	160x143x80 mm
Nennleistung	20 W
Ausgangsleistung	20 W

Fehlerbehebung

Fehlermeldung	Lösung
Fehler 1: Der Staubbehälter fehlt vermutlich.	Das Gerät wurde ohne Staubbehälter gestartet. Den Staubbehälter wieder anbringen.
Fehler 2: Das obere Radar ist vermutlich blockiert oder steckt fest.	Das obere Radar wurde verdeckt oder in einem offenen Bereich platziert. Die Abdeckung des oberen Radars entfernen oder das Gerät in den Innenbereich bewegen.
Fehler 3: Bitte bewege mich an einen anderen Ort und starte mich neu.	Das Gerät befindet sich im Moment in der Luft. Das Gerät auf eine ebene Fläche bewegen und dann neu starten.
Fehler 4: Den Klippensensor reinigen, mich an einen neuen Ort bewegen und dann neu starten.	Der Klippensensor wurde blockiert oder an einem erhöhten Ort platziert. Das Fenster des Klippensensors mit einem weichen, trockenen Tuch abwischen oder das Gerät auf Bodenhöhe setzen und neu starten.
Fehler 5: Den vorderen Sensor reinigen, mich an einen neuen Ort bewegen und dann neu starten.	Der Hindernis-Erkennungssensor ist verschmutzt oder wurde blockiert. Den Hindernis-Erkennungssensor mit einem weichen, trockenen Tuch abwischen.
Fehler 6: Den rechten Sensor reinigen, mich an einen neuen Ort bewegen und dann neu starten.	Der TOF Wandsensor ist schmutzig oder wurde blockiert. Den TOF Wandsensor mit einem weichen, trockenen Tuch abwischen.
Fehler 7: Die obere Radarabdeckung reinigen, das Produkt an einen neuen Ort bewegen und dann neu starten.	Der LiDAR Kollisions-Erkennungssensor ist verschmutzt oder wurde blockiert. Den LiDAR Kollisions-Erkennungssensor mit einem weichen, trockenen Tuch abwischen.
Fehler 8: Die Stoßleiste steckt vermutlich fest.	Der Kanten- oder Stoßleistensensor steckt fest. Die vordere Stoßleiste nach links und rechts bewegen und auf eine Blockierung prüfen.
Fehler 9: Den Staubbehälter und den Filter reinigen.	Staubbehälter und Filter reinigen oder Filter ersetzen.
Fehler 10: Der Staubbehälter wurde entfernt. Den Staubbehälter und den Filter reinigen.	Staubbehälter und Filter reinigen oder Filter ersetzen.
Fehler 11: Ich stecke fest! Bitte hilf mir!	Das Gerät auf eine ebene Fläche bewegen und dann neu starten.

Fehlerbehebung

Fehlermeldung	Lösung
Fehler 12: Bitte stelle mich aufrecht!	Das Gerät befindet sich auf einer Neigung. Das Gerät auf eine ebene Fläche bewegen und dann neu starten.
Fehler 13: Die Räder scheinen festzustecken.	Das Primärrad hat sich verwickelt oder steckt fest. Das Primärrad prüfen und sämtliche Fremdkörper entfernen.
Fehler 14: Die Hauptbürste steckt vermutlich fest.	Die Hauptbürste hat sich verwickelt oder steckt fest. Die Hauptbürste prüfen und sämtliche Fremdkörper entfernen.
Fehler 15: Die Seitenbürste ist steckt vermutlich fest.	Die Seitenbürste hat sich verwickelt oder steckt fest. Die Seitenbürste prüfen und sämtliche Fremdkörper entfernen.
Fehler 16: Au weh! Wo ist die Ladestation?	Wenn das Gerät meldet, dass die Ladestation nicht gefunden oder nicht eingesteckt ist, prüfen, ob die Anzeige der Ladestation an ist, oder das Gerät wieder an die Ladestation stellen.
Fehler 17: Oh nein! Ich habe einem Programmfehler erlebt. Bitte starte mich neu!	Dieser Fehler wird durch einen unbekanntem Fehler hervorgerufen. Das Produkt neu starten.
Fehler 18: Ein Fehler hat dazu geführt, dass das Gerät automatisch heruntergefahren wurde.	Das Produkt neu starten. Wenn das Problem weiterhin besteht, den Kundendienst kontaktieren.
Fehler 19: Der Akku hat einen niedrigen Stand und muss geladen werden.	Das Produkt an der Ladestation platzieren.
Fehler 20: Um das Gerät abzuschalten, es von der Ladestation wegbewegen und erneut versuchen.	Das Produkt kann an der Ladestation nicht ausgeschaltet werden. Das Produkt von der Ladestation wegbewegen und dann die Power-Taste Power-Taste drücken und gedrückt halten.

Allgemeine Probleme

Problemtyp	Lösung
Kann nicht gestartet werden	<ul style="list-style-type: none">• Der Akkustand ist niedrig. Das Produkt an der Ladestation platzieren und es auf den drahtlosen Stromabnehmer ausrichten. Das Gerät sollte sich automatisch einschalten. Wenn das Gerät nicht mit Strom versorgt wurde, kann es einige Zeit dauern, bis es sich einschaltet.• Die Umgebungstemperatur überschreitet den normalen Betriebsbereich von 0-40 °C. Das Produkt nur in Umgebungen verwenden, in denen die Umgebungstemperatur innerhalb dieses Bereichs liegt.
Kann nicht aufgeladen werden	<ul style="list-style-type: none">• Das Gerät entfernen und prüfen, ob die Anzeige an der Ladestation leuchtet. Sicherstellen, dass beide Enden des Netzteils der Ladestation eingesteckt sind, die Vorderseite des Geräts zur Ladestation zeigt und der Abstand zwischen der Vorderseite des Geräts und der Ladestation etwa 2 cm beträgt.• Die Verbindung kann schlecht sein. Die Ladekontakte am drahtlosen Stromabnehmer und dem Gerätegehäuse reinigen oder die Seitenbürsten entfernen.• Das Gerät in einer Umgebungstemperatur von 0-40 °C laden.
Kann nicht wieder aufgeladen werden	Das Produkt ist zu weit von der Ladestation entfernt. Näher daran bewegen und es erneut versuchen.
Abnormale Geräusche während des Betriebs	Es kann sein, dass sich ein Fremdkörper in der Hauptbürste, den Seitenbürsten oder den Rädern verfangen hat. Das Produkt ausschalten und reinigen.
Verringerte Leistung oder Austreten von Staub	<ul style="list-style-type: none">• Der Staubbehälter ist voll und muss entleert werden.• Der Filter ist verstopft und muss gereinigt oder ersetzt werden.• Die Hauptbürste ist mit einem Fremdkörper verheddert und muss gereinigt werden.
Verbindung mit dem WLAN nicht möglich	<ul style="list-style-type: none">• Das WLAN-Signal ist schlecht. Sicherstellen, dass sich das Produkt in einem Bereich mit guter WLAN-Abdeckung befindet.• Ein Fehler der WLAN-Verbindung ist aufgetreten. Die WLAN-Verbindung zurücksetzen, die aktuellste Version des mobilen Clients herunterladen und es erneut versuchen.• Das eingegebene Passwort war falsch.• Der Router betreibt ein 5 GHz-Netzwerk. Dieses Produkt unterstützt nur eine Verbindung zu 2,4 GHz-Netzwerken.
Stromverbrauch an der Ladestation	Wenn das Produkt an der Ladestation steht, verbraucht es eine geringe Menge an Strom, um eine optimale Akkuleistung zu gewährleisten.

Den QR-Code scannen, wenn Sie weitere Hilfe benötigen



Información de seguridad

Limitaciones de uso

- El dispositivo se utiliza para la limpieza de suelos en un entorno doméstico únicamente. No se puede utilizar en exteriores (como una terraza abierta), lugares sin suelo (como un sofá) ni en entornos comerciales o industriales.
- No utilice el producto en áreas exteriores (como azoteas, terrazas abiertas y partes superiores de mobiliario) sin valla protectora.
- No utilice el dispositivo a una temperatura superior a 40 °C o inferior a 0 °C o cuando haya líquidos y sustancias pegajosas en el suelo.
- Antes de utilizar el robot, sujete los cables para que no toquen el suelo y así evitar que el robot los arrastre.
- Quite los objetos frágiles (como jarrones, bolsas de plástico, etc.) del suelo para evitar dañar objetos de valor cuando el robot se atasque o se golpee levemente.
- Este dispositivo puede ser utilizado por niños a partir de 8 años y personas con capacidades físicas, sensoriales o psíquicas reducidas o con falta de experiencia y conocimiento si han recibido supervisión o instrucciones sobre el uso del aparato y comprenden los peligros existentes. Los niños no deben jugar con el dispositivo ni realizar tareas de limpieza ni mantenimiento sin supervisión.
- Mantenga el cepillo principal y otras herramientas de limpieza fuera del alcance de los niños.
- No coloque objetos (tampoco niños ni mascotas) sobre el dispositivo fijo o en movimiento.
- Mantenga el pelo, los dedos y otras partes del cuerpo, así como a sus mascotas, lejos de la entrada de succión cuando el dispositivo esté funcionando.
- No utilice el producto para barrer objetos encendidos (como colillas encendidas).
- No utilice el producto para limpiar alfombras de pelo largo (es posible que algunas alfombras oscuras no se limpien habitualmente).
- Evite que el robot succione objetos rígidos o afilados (como materiales decorativos, vidrio y clavos de hierro, etc.).
- No mueva el dispositivo sujetando la cubierta protectora de LiDAR y el protector de golpes.
- Realice tareas de limpieza y mantenimiento en el robot y la base de carga cuando estén apagados.
- No limpie ninguna parte del producto con un paño húmedo ni con ningún líquido.
- Utilice el producto de acuerdo con el manual del usuario. El usuario será responsable de los daños y lesiones cuando estén causados por un uso inadecuado.
- No utilice la función de fregado en alfombras ni partes superiores de mobiliario.
- Asegúrese de extraer el depósito de agua cuando el dispositivo se esté cargando.

Información de seguridad

1. El dispositivo solo debe utilizarse con la fuente de alimentación suministrada.
2. El adaptador debe retirarse de la toma de corriente antes de realizar tareas de limpieza o mantenimiento en el dispositivo.
3. Este dispositivo contiene una batería que solo puede ser reemplazada por personal cualificado.
4. La batería debe extraerse del dispositivo para poder desecharse.
5. El dispositivo debe estar desconectado de la red eléctrica al extraer la batería.
6. La batería debe desecharse de forma segura.
7. ADVERTENCIA: Para recargar la batería, utilice únicamente la unidad de suministro extraíble que se incluye con este producto.

Tipo de enchufe	Modelo	Entrada	Salida
Europa	GA241-2001000E	100-240 VCA 50/60 Hz 0,6 A	20V1A
Reino Unido	GA241-2001000B	100-240 VCA 50/60 Hz 0,6 A	20V1A
Estados Unidos	GA241-2001000U	100-240 VCA 50/60 Hz 0,6 A	20V1A
India	GA241-2001000I	100-240 VCA 50/60 Hz 0,6 A	20V1A

Batería y carga

- No utilice una batería, base de carga o cargador que hayan sido suministrados por terceros.
- No desmonte ni repare la batería o la base de carga de forma arbitraria.
- Mantenga la base de carga alejada de una fuente de calor (como una placa calefactora).
- No limpie la base de carga con un paño húmedo o con las manos mojadas.
- No deseche las baterías usadas de forma arbitraria. Las baterías usadas deben ser desechadas por una agencia de reciclaje profesional.
- Si el cable eléctrico está dañado o roto, deje de utilizarlo inmediatamente y reemplácelo a través de los canales oficiales.
- Asegúrese de que el robot esté apagado durante los traslados y que el producto se transporte en su embalaje original.
- Si el dispositivo no va a utilizarse durante un largo periodo de tiempo, debe cargarse completamente y colocarse en un lugar fresco y seco. Cargue el dispositivo al menos cada 3 meses para evitar dañar la batería por una descarga excesiva.

Información de seguridad

Instrucciones de eliminación

- La siguiente información solo se aplica a la eliminación de este producto, no a su uso diario.
- Las sustancias químicas contenidas en la batería del robot contaminarán el medioambiente. Antes de desechar el producto, extraiga la batería del robot y llévela a una estación de reciclaje profesional. La batería solo debe extraerse cuando se haya agotado por completo. No permita bajo ninguna circunstancia que la batería entre en contacto con objetos metálicos.
- Extracción de la batería:
 1. Asegúrese de que el robot no toque la base de carga y mantenga el producto en funcionamiento hasta que se agote toda la batería y se apague.
 2. Quite los tornillos de la cubierta de la batería.
 3. Retire la cubierta de la batería, quite el enchufe de la batería y extraiga la batería.

Información de seguridad láser

- LiDAR del producto cumple con el estándar para productos láser de clase 1 de IEC60825 y no produce radiación láser peligrosa.
- Láser de clase IEC-60825 clase 1.
- La potencia máxima de salida láser del producto es de 10 mW.
- Tiempo de impulso del cabezal láser (1/2300 s).
- Radiación láser invisible.
- Energía láser: la exposición cerca de la apertura puede causar quemaduras.
- Estándar: IEC 60825-1:2014.

Frecuencia	2,4 GHz~2,4835 GHz
Potencia	≤17 dBm

Advertencia



Este símbolo significa que, de acuerdo con las leyes y normativas locales, este dispositivo o su batería tendrán que desecharse de forma separada al resto de residuos de su hogar. Cuando este dispositivo llegue al final de su vida útil, el usuario puede optar por llevarlo a la empresa encargada de su correspondiente reciclaje. El correcto reciclaje del dispositivo protegerá la salud humana y el medioambiente.



Uso interno solamente

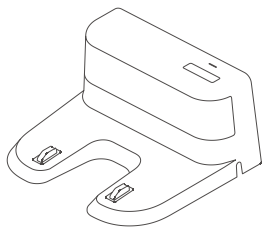
Advertencia de la batería

1. Este producto incluye una batería de litio. No debe ser desmontada, afectada, forzada o expuesta al fuego.
2. Una batería sometida a una presión de aire extremadamente baja puede provocar una explosión o la fuga de líquido o gas inflamable.
3. No coloque la batería en un entorno de alta temperatura ni la exponga al sol. Si lo hace, podría explotar.
4. No siga utilizando el producto si la batería parece estar hinchada.
5. Deseche la batería de acuerdo con las normativas locales. No deseche la batería como basura doméstica.
6. No intente reparar, desmontar o modificar la batería. Reemplazar la batería por un tipo de batería incorrecto podría provocar una explosión.
7. No ejerza presión sobre la batería ni la perforo con objetos rígidos. Dañar la batería podría provocar una fuga, sobrecalentamiento o incendio.

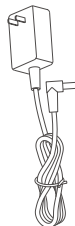
Por la presente, realme declara que este dispositivo cumple con los requisitos esenciales y otras disposiciones pertinentes de la Directiva sobre equipos radioeléctricos 2014/53/UE. La declaración de conformidad se puede consultar en www.realme.com/global/support/declaration.

Introducción del producto

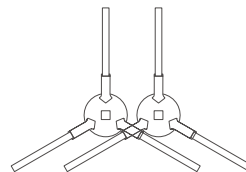
Paquete de entrega



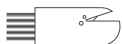
1 base de carga



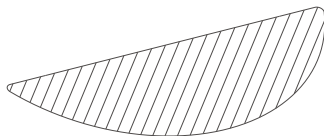
1 adaptador



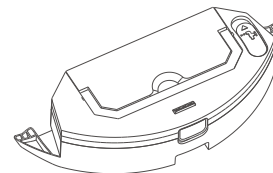
1 cepillo lateral izquierdo
1 cepillo lateral derecho



1 cepillo de limpieza



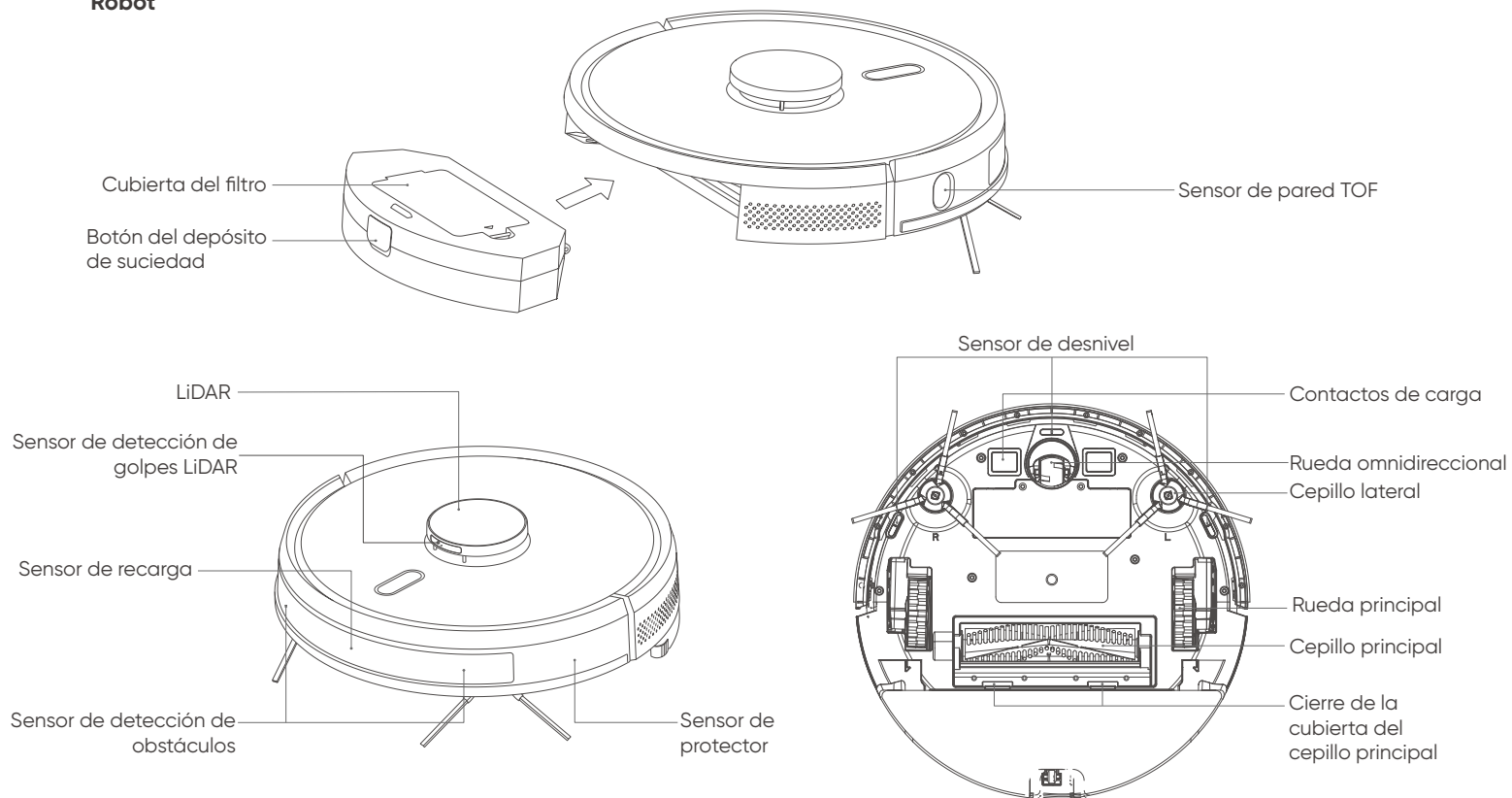
2 paños lavables (opcional)
10 paños desechables (opcional)



Depósito de agua extraíble 2 en 1 (opcional)

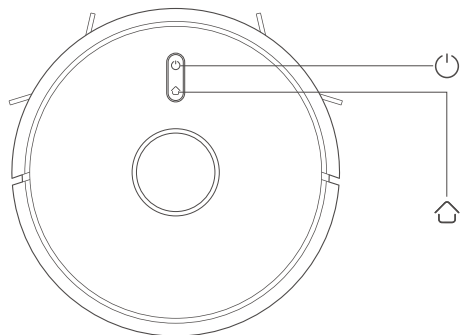
Introducción del producto

Robot



Introducción del producto

Robot



Encender/Apagar/Limpiar/Pausar

- Pulse para iniciar/pausar la limpieza
- Mantenga pulsado durante 3 segundos para encender/apagar el dispositivo
- Cuando se produzca un error, mantenga pulsado durante 15 segundos para forzar el apagado

Recarga/Limpieza parcial/Pausa

- Pulse para recargar/pausar
- Mantenga pulsado para iniciar la limpieza parcial

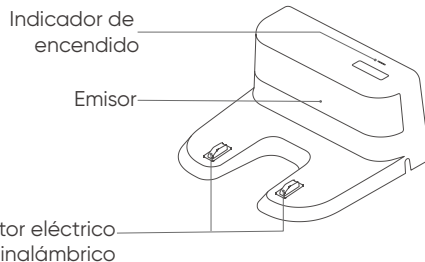
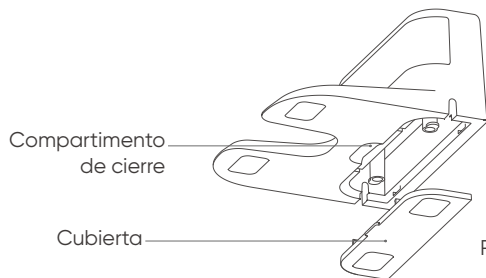
Indicador

- Blanco: conectado al wifi
- Naranja: no conectado al wifi
- Rojo: error o batería baja

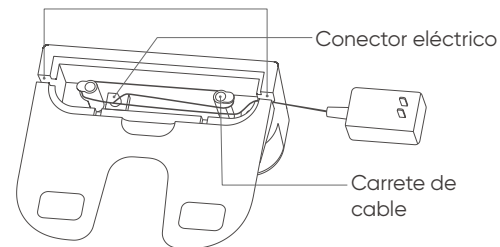
Restablecer wifi

- Mantenga pulsados ambos botones durante 3 segundos

Base de carga

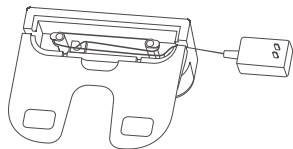


Compartimento de cable externo

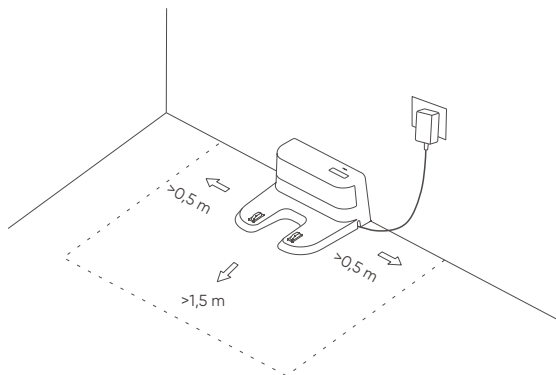


Colocación

1. Conecte el cable de alimentación y coloque el cable que sobra en el compartimento de cables.



2. Coloque la base de carga contra la pared sobre una superficie plana y conéctela a una fuente de alimentación

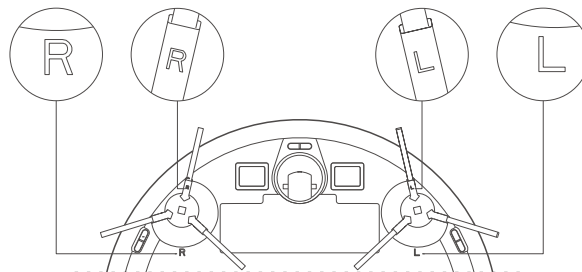


Nota:


- Asegúrese de que la base de carga tenga al menos 0,5 m de espacio libre en ambos lados y 1,5 m de espacio libre en la parte delantera.
- Durante la colocación, mantenga el cable de alimentación alejado del suelo. Si el cable de alimentación está en el suelo, el dispositivo puede arrastrarlo y hacer que la base de carga se apague.
- El indicador de carga permanecerá encendido mientras haya electricidad.

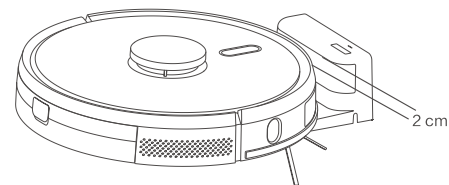
3. Coloque los cepillos laterales

Alinee los cepillos izquierdo y derecho con las marcas correspondientes en la cubierta inferior. Presione hacia abajo hasta que escuche un clic, lo que indicará que se ha colocado correctamente.



4. Encienda el dispositivo y cárguelo

Mantenga pulsado el botón  para encender el dispositivo. Espere hasta que se encienda el indicador y, a continuación, coloque el dispositivo en la base de carga.

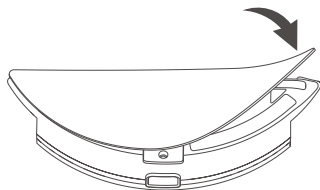


Nota: El dispositivo no puede iniciarse si no tiene suficiente batería. Coloque el dispositivo en la base de carga. Se encenderá automáticamente cuando tenga suficiente carga. El dispositivo puede funcionar con normalidad solo cuando la batería tiene una carga $\geq 20\%$. Como se muestra en la figura, la parte delantera del dispositivo debe mirar hacia la base de carga para que el contacto de carga del robot toque el receptor eléctrico inalámbrico. La distancia entre la parte delantera del dispositivo y la base de carga debe ser de unos 2 cm.

Kit de fregado

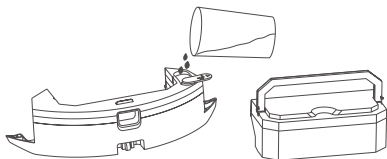
1. Coloque el depósito de agua extraíble 2 en 1

- ① Coloque el paño de fregado: coloque el paño con suavidad en la parte inferior del depósito de agua.



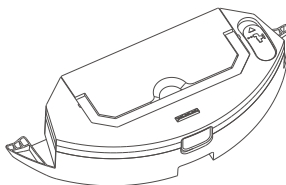
Nota: Limpie el paño después de cada uso para garantizar un rendimiento óptimo.

- ② Llene el depósito de agua: abra la tapa, llene el depósito con agua y cierre la tapa.

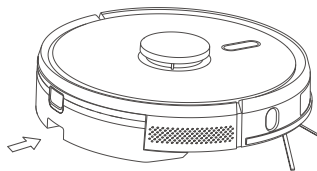


Nota: Se recomienda extraer el depósito de suciedad antes de llenar el depósito de agua. De este modo, se garantiza que el agua no entre al depósito de suciedad. Levante el asa, extraiga el depósito de suciedad del depósito de agua, llene con agua el depósito de agua y cierre la tapa.

- ③ Coloque el depósito de agua.



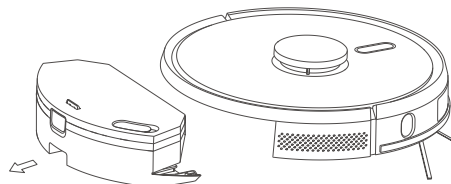
Coloque el depósito de suciedad en el depósito de agua y asegúrese de que el asa esté plegada.



Mantenga pulsado el botón que está en la parte central del depósito de agua y empújelo horizontalmente en la parte trasera del dispositivo. Escuchará un clic si la colocación se realiza correctamente.

2. Coloque el depósito de agua extraíble 2 en 1

Cuando el dispositivo haya terminado de limpiar, mantenga pulsado el botón que está en la parte central del depósito de agua, extraiga el depósito tirando de él hacia atrás, vierta el agua restante fuera del depósito y limpie el paño (no mueva ni gire el dispositivo mientras está limpiando).



3. Uso

- ① No utilice el depósito de agua cuando no haya nadie en casa.
- ② Para garantizar la seguridad, extraiga el depósito de agua cuando no esté en uso y cuando el dispositivo se esté cargando.
- ③ No utilice la función de fregado en alfombras. Evite que el dispositivo entre en áreas con alfombras mediante la función de área restringida en la aplicación móvil.
- ④ Para garantizar un rendimiento óptimo del fregado, utilice el dispositivo para limpiar el área tres veces antes de colocar el módulo de fregado.
- ⑤ Si necesita añadir agua o limpiar el paño durante una tarea de limpieza, pause el dispositivo y siga los pasos anteriores. No mueva ni gire el dispositivo para evitar fallos de posicionamiento y la pérdida del mapa.
- ⑥ Si bien la función de fregado del dispositivo puede limpiar superficies para ayudar a conseguir una limpieza profunda, no puede eliminar eficazmente las manchas difíciles de la misma manera que lo haría una persona.

Conectarse a realme Link

Descargar la aplicación

Método 1: abra la tienda de aplicaciones y descargue la aplicación realme Link.

Método 2: escanee el código QR a continuación.





Añadir dispositivo

Abra la aplicación móvil y toque el botón + en la página de inicio para acceder a la página de selección de dispositivo. Seleccione Robot de limpieza y añada el dispositivo a su aplicación siguiendo las instrucciones.

Actualización de firmware

Abra la aplicación móvil y vaya a la página de actualización del firmware, espere a que la aplicación detecte el nuevo firmware y siga las instrucciones. La batería debe tener una carga $\geq 50\%$ para realizar una actualización de firmware. Se recomienda colocar el dispositivo en la base de carga durante una actualización de firmware.

Restablecer wifi

Si su teléfono ya no puede conectarse al dispositivo debido a cambios en la configuración del router, la contraseña u otros motivos, mantenga pulsados los botones  y  al mismo tiempo durante 3 segundos. Debería escuchar "Se ha restablecido la conexión wifi".



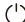
Uso

Encender/Apagar

Mantenga pulsado el botón  durante 3 segundos. El indicador se iluminará para indicar que el dispositivo está encendido.

Nota: El dispositivo no se puede apagar mientras se carga.

Limpiar/Pausar

Cuando el dispositivo se haya encendido, pulse el botón  en el robot o utilice la aplicación móvil para iniciar el proceso de limpieza.


(Pulse cualquier tecla durante la limpieza para realizar una pausa)

Nota:

- Los robots de limpieza no se pueden utilizar para limpiar líquidos.
- Si el nivel de la batería es inferior al 20 %, el dispositivo no podrá realizar tareas de limpieza. Cargue el dispositivo antes de proceder a limpiar.
- Si el nivel de la batería cae por debajo del 20 % durante el proceso de limpieza, el dispositivo volverá automáticamente a la base de carga. Cuando la batería se haya cargado al 80 %, el dispositivo intentará continuar desde donde lo dejó.
- Retire todos los cables (incluido el cable de alimentación de la base de carga) del suelo antes de limpiar. De este modo, se garantiza que el dispositivo no cause cortes de energía o daños a objetos o cables al arrastrarlos.

Cargar

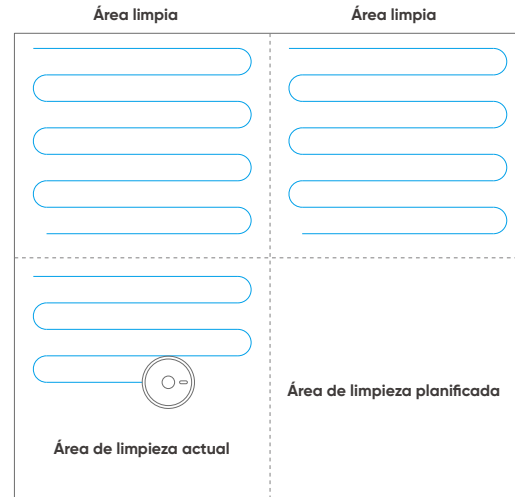
Automático: cuando el dispositivo haya terminado de limpiar, volverá automáticamente a la base de carga.

Manual: mientras el dispositivo esté en pausa, pulse la tecla  o utilice la aplicación móvil para iniciar el proceso de recarga.

Nota: Si el dispositivo no puede encontrar la base de carga, volverá a su posición inicial. Deberá colocar manualmente el dispositivo en la base de carga.

Limpieza automática

Cuando comienza el proceso de limpieza, el dispositivo escanea el área, genera un mapa y divide inteligentemente el mapa en zonas. El dispositivo primero limpia cada zona a lo largo de las paredes y luego limpia el resto de la zona en forma de arco. Las zonas se limpian una por una de manera ordenada, eficiente y completa. Cuando haya finalizado el proceso de limpieza, el dispositivo volverá automáticamente a la base de carga.



Nota:


No mueva el dispositivo de forma arbitraria o frecuente durante su funcionamiento. Tras mover el dispositivo, colóquelo cerca de su ubicación original. Una vez que se haya reiniciado, el dispositivo intentará reubicar sus coordenadas originales. Si el posicionamiento se realiza correctamente, el dispositivo continuará por la ruta planificada. Si el posicionamiento falla, el dispositivo abandonará su tarea anterior e intentará crear un nuevo mapa para reiniciar el proceso de limpieza. En este caso, es posible que el dispositivo no se pueda recargar correctamente.

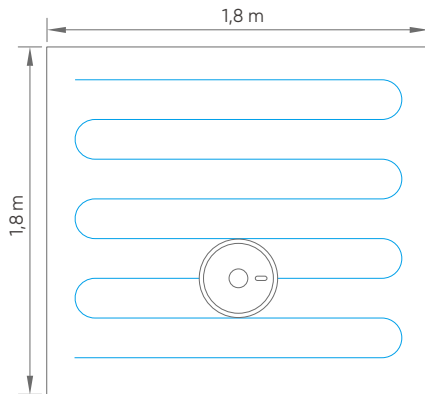
Uso

Limpieza localizada

Si desea realizar una limpieza profunda en un área determinada, especifique la ubicación en la aplicación móvil. El dispositivo se centrará en el área de 1,5 m × 1,5 m y limpiará alrededor dos veces.

Limpieza parcial

Si no puede controlar el dispositivo a través de la aplicación móvil, muévelo manualmente al área que debe limpiarse y mantenga pulsada la tecla  durante 3 segundos. El dispositivo se centrará en el área de 1,8 m × 1,8 m y limpiará a su alrededor una vez.



Área personalizada

Utilice la aplicación móvil para establecer el tamaño y la ubicación de las áreas que desea limpiar.

Área restringida

Utilice la aplicación móvil para definir una o más áreas restringidas. El dispositivo no intentará acceder a áreas restringidas para limpiarlas.

Nota:

- El dispositivo puede acceder a áreas restringidas debido a errores de posicionamiento o fallos del sensor.
- Las áreas restringidas permanentes pueden no ser válidas cuando se realizan cambios significativos en la posición de los muebles y la base de carga. No mueva ni interfiera con el dispositivo mientras está en funcionamiento.
- La creación de un mapa nuevo eliminará todas las áreas restringidas permanentes.

Limpieza programada

Utilice la aplicación móvil para establecer horarios de limpieza programada. El dispositivo comenzará a limpiar automáticamente durante los tiempos establecidos y volverá a la base de carga una vez que haya terminado.

Succión

Utilice la aplicación móvil para seleccionar entre los modos de aspirado silencioso, estándar, fuerte o ultrafuerte. El modo predeterminado es estándar.

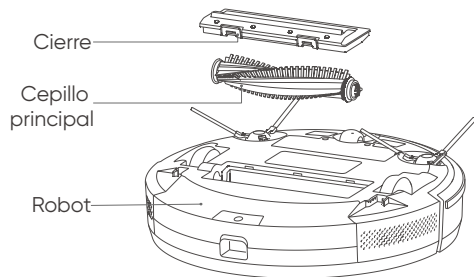
Nivel de agua

Utilice la aplicación móvil para seleccionar entre los modos de nivel de agua seco, bajo, medio o alto. El modo predeterminado es alto.

Mantenimiento de rutina

Cepillo principal

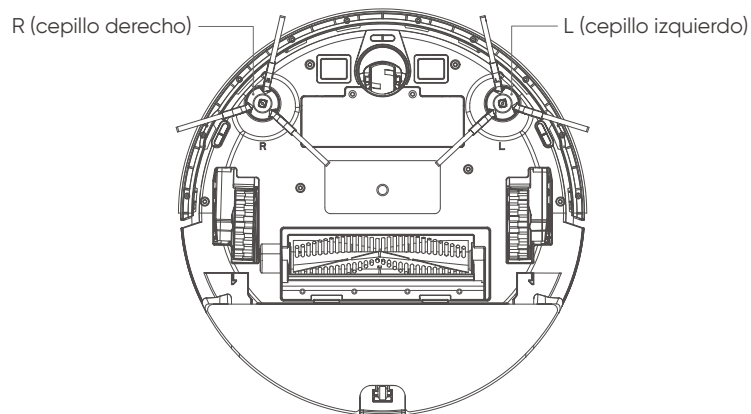
1. Gire el dispositivo y presione en el cierre de la cubierta del cepillo principal para sacarlo.
2. Utilice la herramienta correspondiente para limpiar la suciedad atascada en las cavidades del cepillo principal y cualquier objeto enredado en él.
3. Vuelva a colocar el cepillo principal, presione hacia abajo en la cubierta del cepillo principal y asegure el cierre.



Cepillo lateral

1. Gire el dispositivo y extraiga el cepillo lateral verticalmente.
2. Vuelva a colocar el cepillo después de quitar el pelo enredado y la suciedad.
3. Alinee los cepillos izquierdo y derecho con las marcas correspondientes en la cubierta inferior y presione hacia abajo para colocarlos.

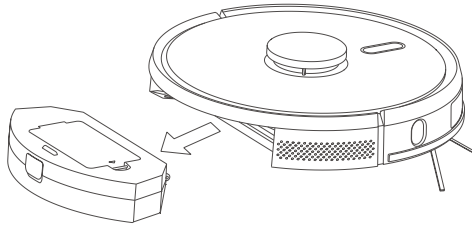
Nota: Se recomienda reemplazar el cepillo lateral una vez cada 3-6 meses para garantizar un rendimiento óptimo.



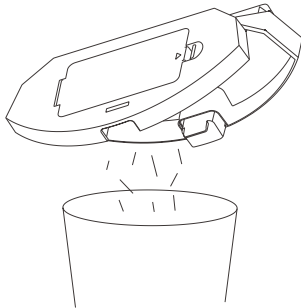
Mantenimiento de rutina

Depósito de suciedad

1. Mantenga pulsado el botón del depósito de suciedad y tire del depósito para sacarlo.

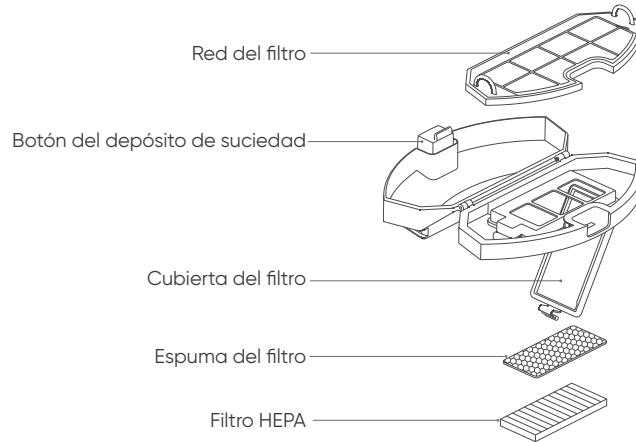


2. Abra el depósito de suciedad y vacíelo en la basura.



Filtro

1. Después de un largo periodo de uso, retire la red del filtro, la espuma del filtro y el filtro HEPA.
2. Enjuague en el grifo la red del filtro, la espuma, el filtro HEPA y el depósito de suciedad que haya retirado.
3. Sacuda las gotas de agua después del enjuague y espere hasta que los filtros y el depósito de suciedad se hayan secado por completo.
4. Después de que se hayan secado por completo, vuelva a colocar los filtros en el siguiente orden: red del filtro > espuma del filtro > filtro HEPA.



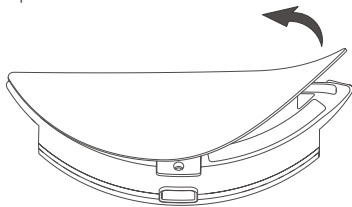
Nota:

- Enjuague con agua limpia. No añada detergentes.
- No utilice un cepillo ni los dedos para limpiar el filtro.
- Deje que el filtro se seque completamente durante al menos 24 horas.
- Se recomienda reemplazar el filtro cada 3-6 meses.

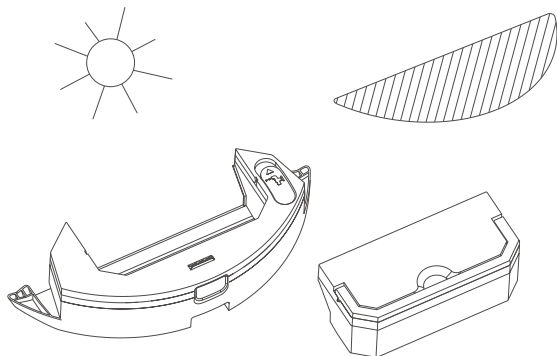
Mantenimiento de rutina

Depósito de agua extraíble 2 en 1 (limpiar después de cada uso)

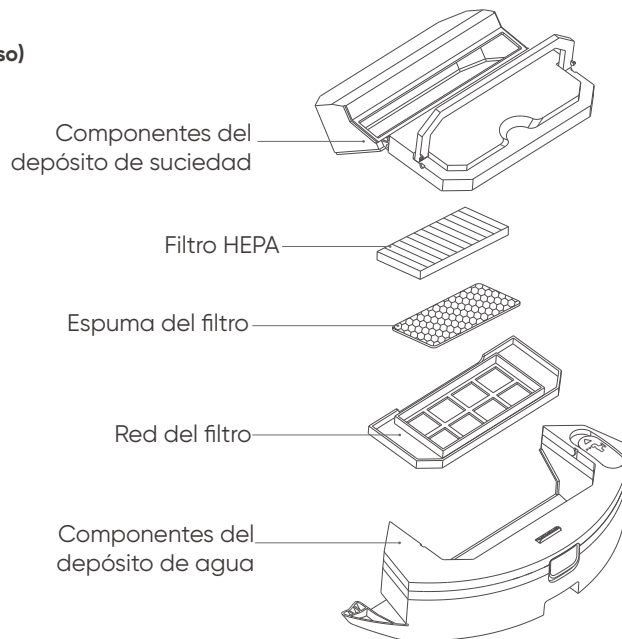
1. Retire el paño de fregado y vierta el agua restante del depósito.



2. Lave el paño de fregado y seque el depósito de agua y el paño para prepararlos para el próximo uso.



Levante el asa, saque el depósito de suciedad del depósito de agua, vierta el exceso de agua y seque el agua del depósito.



Batería

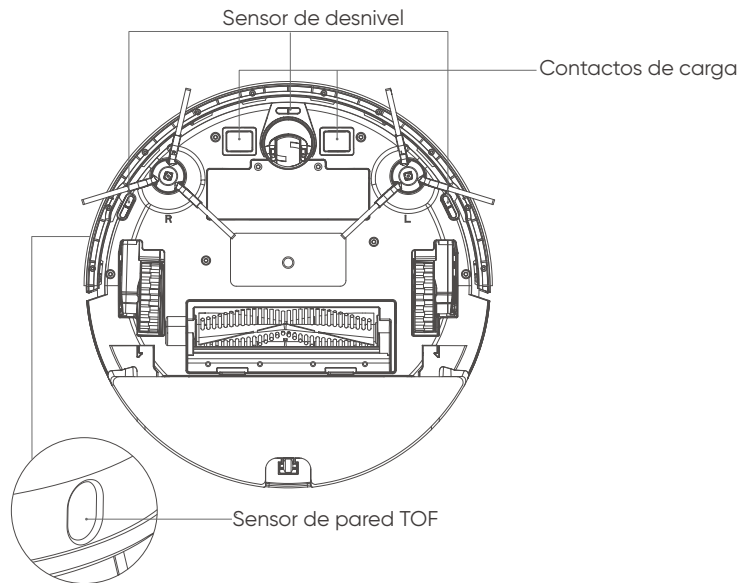
- El dispositivo está equipado con una batería de iones de litio de alto rendimiento. Para garantizar un rendimiento óptimo de la batería, mantenga el dispositivo cargado.
- Si no va a utilizarse el dispositivo durante un período prolongado, apáguelo y guárdelo en un lugar seguro. Cargue el dispositivo al menos una vez cada 3 meses para evitar daños por descarga excesiva de la batería.

Mantenimiento de rutina

Sensores (limpiar regularmente)

Utilice un paño suave y seco para limpiar todos los sensores del dispositivo, incluidos los siguientes:

1. El sensor de pared TOF a la derecha del robot
2. Senzor srázu v dolní části robota
3. El sensor de detección de obstáculos en la parte delantera del robot
4. El sensor de detección de golpes LiDAR en la parte superior del robot
5. Los contactos de carga en la parte inferior del robot y el receptor eléctrico inalámbrico en la base de carga (apague el suministro eléctrico antes de limpiar)
6. El emisor de la base de carga



Especificaciones

Robot

Nombre del producto	realme TechLife Robot Vacuum
Modelo	RMH2101
Dimensiones	350 × 350 × 100 mm
Peso	3,3 kg
Batería	Batería de litio de 5200 mAh
Voltaje de entrada	14,4 V
Potencia nominal	50 W

Base de carga

Modelo	RMH2101CB
Dimensiones	160 × 143 × 80 mm
Potencia nominal	20 W
Salida nominal	20 W

Solución de problemas

Mensaje de error	Solución
Error 1: parece que falta el depósito de suciedad.	El dispositivo se inició sin depósito de suciedad. Vuelva a colocar el depósito de suciedad.
Error 2: parece que el radar superior está obstruido o atascado.	El radar superior se ha cubierto o colocado en un área abierta. Retire la cubierta del radar superior o mueva el dispositivo al interior.
Error 3: mueva el dispositivo a una nueva ubicación y reinícielo.	El dispositivo está actualmente en alto. Mueva el dispositivo a una superficie nivelada y reinícielo.
Error 4: limpie el sensor de desnivel, mueva el dispositivo a una nueva ubicación y reinícielo.	El sensor de desnivel se ha obstruido o se ha colocado en un lugar elevado. Limpie la ventana del sensor de desnivel con un paño suave y seco, mueva el dispositivo al nivel del suelo y reinícielo.
Error 5: limpie el sensor delantero, mueva el dispositivo a una nueva ubicación y reinícielo.	El sensor de detección de obstáculos está sucio o se ha obstruido. Limpie el sensor de detección de obstáculos con un paño suave y seco.
Error 6: limpie el sensor correspondiente, mueva el dispositivo a una nueva ubicación y reinícielo.	El sensor de pared TOF está sucio o se ha obstruido. Limpie el sensor de pared TOF con un paño suave y seco.
Error 7: limpie la cubierta superior del radar, mueva el dispositivo a una nueva ubicación y reinícielo.	El sensor de detección de golpes LiDAR está sucio o se ha obstruido. Limpie el sensor de detección de golpes LiDAR superior con un paño suave y seco.
Error 8: parece que el protector está atascado.	El sensor de protector o bordes está atascado. Mueva el protector delantero hacia la izquierda y hacia la derecha para ver si hay un atasco.
Error 9: limpie el depósito de suciedad y el filtro.	Limpie el depósito de suciedad y el filtro o reemplace el filtro.
Error 10: el depósito de suciedad se ha extraído. Limpie el depósito de suciedad y el filtro.	Limpie el depósito de suciedad y el filtro o reemplace el filtro.
Error 11: se ha producido un atasco. Solúcielo.	Mueva el dispositivo a una superficie nivelada y reinícielo.

Solución de problemas

Mensaje de error	Solución
Error 12: coloque el dispositivo en posición vertical.	El dispositivo está inclinado. Mueva el dispositivo a una superficie nivelada y reinicielo.
Error 13: parece que las ruedas están atascadas.	La rueda principal se ha enredado o atascado. Compruebe la rueda principal y retire cualquier objeto extraño.
Error 14: parece que el cepillo principal está atascado.	El cepillo principal se ha enredado o atascado. Compruebe el cepillo principal y retire cualquier objeto extraño.
Error 15: parece que el cepillo lateral está atascado.	El cepillo lateral se ha enredado o atascado. Compruebe el cepillo lateral y retire cualquier objeto extraño.
Error 16: vaya, ¿dónde está la base de carga?	Si el dispositivo indica que la base de carga no se encuentra o no está conectada, verifique si el indicador de la base de carga está encendido o mueva el dispositivo a la base de carga.
Error 17: vaya, se ha producido un error de programa. Reinicie el dispositivo.	Este error está causado por un fallo desconocido. Reinicie el dispositivo.
Error 18: un error ha provocado que el dispositivo se apague automáticamente.	Reinicie el dispositivo. Si el problema persiste, póngase en contacto con el servicio posventa.
Error 19: el nivel de batería es bajo y debe recargarse.	Coloque el dispositivo en la base de carga.
Error 20: para apagar el dispositivo, sepárelo de la base de carga y vuelva a intentarlo.	El dispositivo no se puede apagar cuando está en la base de carga. Separe el producto de la base de carga y mantenga pulsado el botón de encendido.

Problemas habituales

Tipo de problema	Solución
No se puede iniciar	<ul style="list-style-type: none">• El nivel de batería es bajo. Coloque el dispositivo en la base de carga y alinéelo con el receptor eléctrico inalámbrico. El dispositivo debería encenderse automáticamente. Si el dispositivo se quedó sin batería, es posible que tarde un poco en encenderse.• La temperatura ambiente excede el rango de funcionamiento normal de 0-40 °C. Utilice el dispositivo únicamente en entornos donde la temperatura ambiente se encuentre dentro de este rango.
No se puede cargar	<ul style="list-style-type: none">• Retire el dispositivo y compruebe si el indicador de la base de carga está encendido. Asegúrese de que los dos extremos del adaptador de corriente de la base de carga estén conectados, la parte delantera del dispositivo esté orientada hacia la base de carga y la distancia entre la parte delantera del dispositivo y la base de carga sea de aproximadamente 2 cm.• La conexión puede ser deficiente. Limpie los contactos de carga en el receptor eléctrico inalámbrico y el dispositivo, o extraiga los cepillos laterales.• Cargue el dispositivo a una temperatura ambiente de 0-40 °C.
No se puede recargar	El dispositivo está demasiado lejos de la base de carga. Acérquelo e inténtelo de nuevo.
Ruidos anormales durante el funcionamiento	Puede haber un objeto extraño enredado en el cepillo principal, los cepillos laterales o las ruedas. Apague el dispositivo y límpielo.
Rendimiento reducido o fugas de suciedad	<ul style="list-style-type: none">• El depósito de suciedad está lleno y debe limpiarse.• El filtro está obstruido y debe limpiarse o reemplazarse.• El cepillo principal está enredado con un objeto extraño y debe limpiarse.
No es posible conectarse al wifi	<ul style="list-style-type: none">• La señal wifi es deficiente. Asegúrese de que el dispositivo esté en un área con buena cobertura wifi.• Se ha producido un error de conexión wifi. Restablezca la conexión wifi, descargue la última versión del cliente móvil y vuelva a intentarlo.• La contraseña que ha introducido es incorrecta.• El router está ejecutando una red de 5 GHz. Este dispositivo solo admite la conexión a redes de 2,4 GHz.
El dispositivo consume energía mientras está en la base de carga	Cuando el dispositivo esté en la base de carga, consumirá un poco de energía para garantizar un rendimiento óptimo de la batería.

Escanee el código QR si necesita más ayuda



Informations de sécurité

Restrictions d'utilisation

- Le produit sert à nettoyer le sol d'un domicile uniquement et ne saurait être utilisé en extérieur (par exemple sur une terrasse), ailleurs qu'au sol (comme sur un sofa) ou dans un environnement commercial ou industriel.
- Merci de ne pas employer le produit sur des zones en hauteur (comme un appartement-terrasse ou le haut d'un meuble) qui ne comportent pas de garde-fou.
- Merci de ne pas utiliser le produit si la température est supérieure à 40 °C ou inférieure à 0 °C, ou si le sol est couvert de substances liquides ou gluantes.
- Merci de suspendre les câbles qui traînent au sol pour éviter que le robot ne roule dessus et les entraîne.
- Merci d'enlever tout objet fragile ou corps étranger (tel qu'un vase, un sac plastique...) traînant au sol afin d'éviter que le robot endommage des objets de valeur lorsqu'il est coincé ou dérangé.
- Cet appareil peut être utilisé par des enfants âgés de 8 ans et plus et par des personnes qui souffrent de handicaps physiques, sensoriels ou mentaux ou à qui il manque de l'expérience et des connaissances si elles sont supervisées ou ont reçu les instructions adéquates concernant l'utilisation en toute sécurité de l'appareil et comprennent les risques inhérents. Ne pas laisser les enfants jouer avec l'appareil. Le nettoyage et la maintenance de l'appareil ne doivent pas être effectués par des enfants laissés sans surveillance.
- Merci de conserver la brosse principale et les autres outils de nettoyage hors de portée des enfants.
- Merci de ne pas placer d'objets (ni d'enfants ou d'animaux de compagnie) sur l'appareil à l'arrêt ou en mouvement.
- Merci de tenir éloignés de la bouche d'aspiration cheveux, doigts et autres parties du corps humain ou d'animaux lorsque l'appareil est en fonctionnement.
- Merci de ne pas utiliser le produit pour balayer des objets incandescents (tels que des mégots et cendres de cigarette).
- Merci de ne pas utiliser le produit pour nettoyer des tapis ou moquettes à poils longs (certaines moquettes sombres peuvent ne pas être nettoyées normalement).
- Merci d'empêcher le robot d'aspirer des objets tranchants ou durs (comme du verre, des clous, certains déchets et matériaux décoratifs...).
- Merci de ne pas déplacer l'appareil en le tenant par la protection du LiDAR et le pare-choc.
- Merci de nettoyer ou d'effectuer la maintenance du robot et du socle de charge hors tension.
- Merci de ne pas essuyer le produit à l'aide d'un chiffon humide ou d'un liquide quelconque.
- Merci d'utiliser le produit en accord avec le manuel d'utilisation. L'utilisateur est seul responsable des dommages et blessures résultant d'une utilisation non conforme du produit.
- Merci de ne pas utiliser la fonction serpillère sur de la moquette et des meubles.
- Merci de vous assurer de retirer le réservoir d'eau lorsque l'appareil est en cours de charge.

Informations de sécurité

1. L'appareil ne doit être utilisé qu'avec l'unité d'alimentation fournie.
2. L'adaptateur secteur doit être retiré de la prise avant d'entreprendre un nettoyage ou une maintenance de l'appareil.
3. Cet appareil contient une batterie dont le remplacement demande un certain talent.
4. La batterie doit être retirée de l'appareil avant de le jeter.
5. L'appareil doit être déconnecté du secteur lorsque vous retirez la batterie.
6. Merci de prendre des précautions lorsque vous jetez la batterie.
7. ATTENTION : lorsque vous voulez recharger la batterie, n'utilisez que l'unité d'alimentation détachable fournie avec cet appareil.

Type de prise	Modèle	Entrée	Sortie
U.E.	GA241-2001000E	100-240 VAC 50/60 Hz 0,6 A	20V1A
R-U	GA241-2001000B	100-240 VAC 50/60 Hz 0,6 A	20V1A
États-Unis	GA241-2001000U	100-240 VAC 50/60 Hz 0,6 A	20V1A
Inde	GA241-2001000I	100-240 VAC 50/60 Hz 0,6 A	20V1A

Batterie et charge

- Merci de ne pas employer de batterie, de socle de charge ou de chargeur fourni par une tierce partie.
- Merci de ne pas démonter, signaler ou réinstaller la batterie ou le socle de charge de manière arbitraire.
- Merci de tenir le socle de charge à l'écart de toute source de chaleur (comme une plaque chauffante).
- Merci de ne pas nettoyer les fragments du socle de charge avec un chiffon humide ou les mains mouillées.
- Merci de ne pas jeter la batterie usée arbitrairement. Les batteries usées doivent être traitées par des organismes de recyclage professionnels.
- Si le câble d'alimentation est endommagé ou cassé, cessez immédiatement de l'utiliser et remplacez-le en passant par les canaux officiels.
- S'assurer que le robot est bien éteint pendant son transport, et qu'il est transporté dans son emballage d'origine.
- Si l'appareil n'est pas utilisé pendant une longue période, chargez-le et entreposez-le dans un endroit sec et frais. Chargez-le tous les 3 mois minimum pour éviter que la batterie se dégrade à cause d'une décharge excessive.

Informations de sécurité

Instructions pour la mise au rebut

- Les informations suivantes ne s'appliquent qu'en cas de mise au rebut de ce produit et non pour son utilisation au quotidien.
- Les substances chimiques contenues dans la batterie du robot sont polluantes. Avant de jeter le produit, retirez la batterie du robot et emmenez-la à un centre de recyclage agréé. La batterie ne doit être retirée qu'après que son énergie ait été épuisée. Ne laissez jamais la batterie entrer en contact avec des objets métalliques.
- Retrait de la batterie :
 1. En vérifiant bien que le robot ne soit pas sur le socle de charge, laissez-le fonctionner jusqu'à son extinction due à l'épuisement de la batterie.
 2. Retirez les vis de la protection de la batterie.
 3. Enlevez la protection de la batterie, débranchez la prise de la batterie puis retirez-la.

Informations de sécurité liées au laser

- Le LiDAR de l'appareil est conforme à la norme IEC60825 concernant les produits laser de catégorie 1 et n'émet aucune radiation laser dangereuse.
- Laser de catégorie 1 IEC-60825
- La puissance maximale du laser du produit est de 10 mW
- Pulsation de la tête du laser : (1/2 300 s)
- Radiations laser invisibles
- L'exposition au rayon laser trop près de sa source peut entraîner des brûlures.
- Norme : IEC 60825-1:2014

Fréquence	2,4 GHz ~ 2,4835 GHz
Alimentation	≤ 17 dBm

Avertissement



Ce symbole signifie que conformément aux lois et réglementations locales, votre produit ou sa batterie doivent être éliminés séparément des déchets ménagers. Lorsque ce produit arrive en fin de vie, l'utilisateur a le choix de donner son produit à un organisme de recyclage compétent. Le recyclage approprié de votre produit protégera la santé humaine et l'environnement.



À utiliser en intérieur uniquement

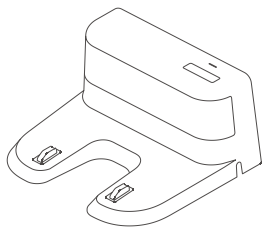
Avertissement sur la batterie

1. Ce produit renferme une batterie au lithium. Elle ne doit pas être démontée, percutée, retirée de force ou exposée au feu.
2. Une batterie soumise à une très faible pression atmosphérique peut exploser ou laisser échapper du liquide ou gaz inflammable.
3. Merci de ne pas soumettre la batterie à de fortes températures ou de l'exposer au soleil. Cela pourrait entraîner son explosion.
4. Merci de cesser d'utiliser le produit si la batterie semble avoir gonflé.
5. Merci de jeter la batterie en respectant les lois locales en vigueur. Ne la jetez pas dans votre poubelle domestique.
6. Merci de ne pas tenter de réparer, démonter ou modifier la batterie. Remplacer la batterie par une batterie d'un type différent peut entraîner une explosion.
7. Merci de ne pas percer la batterie ni d'appuyer dessus avec des objets durs. Endommager la batterie peut causer des fuites de substances chimiques, une surchauffe ou des incendies.

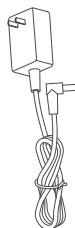
Par la présente, realme déclare que cet appareil est conforme aux critères principaux et autres clauses pertinentes de la directive RED, 2014/53/EU portant sur les équipements radio. La déclaration de conformité est consultable à l'adresse suivante : www.realme.com/global/support/declaration.

Présentation du produit

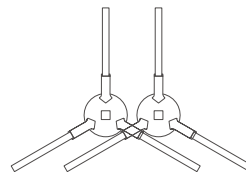
Contenu de l'emballage



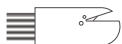
1 socle de charge



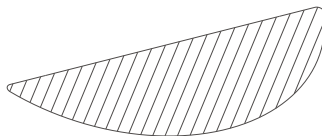
1 adaptateur secteur



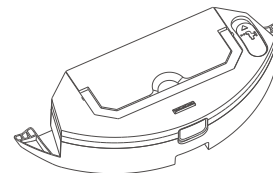
1 brosse latérale L
1 brosse latérale R



1 brosse de nettoyage



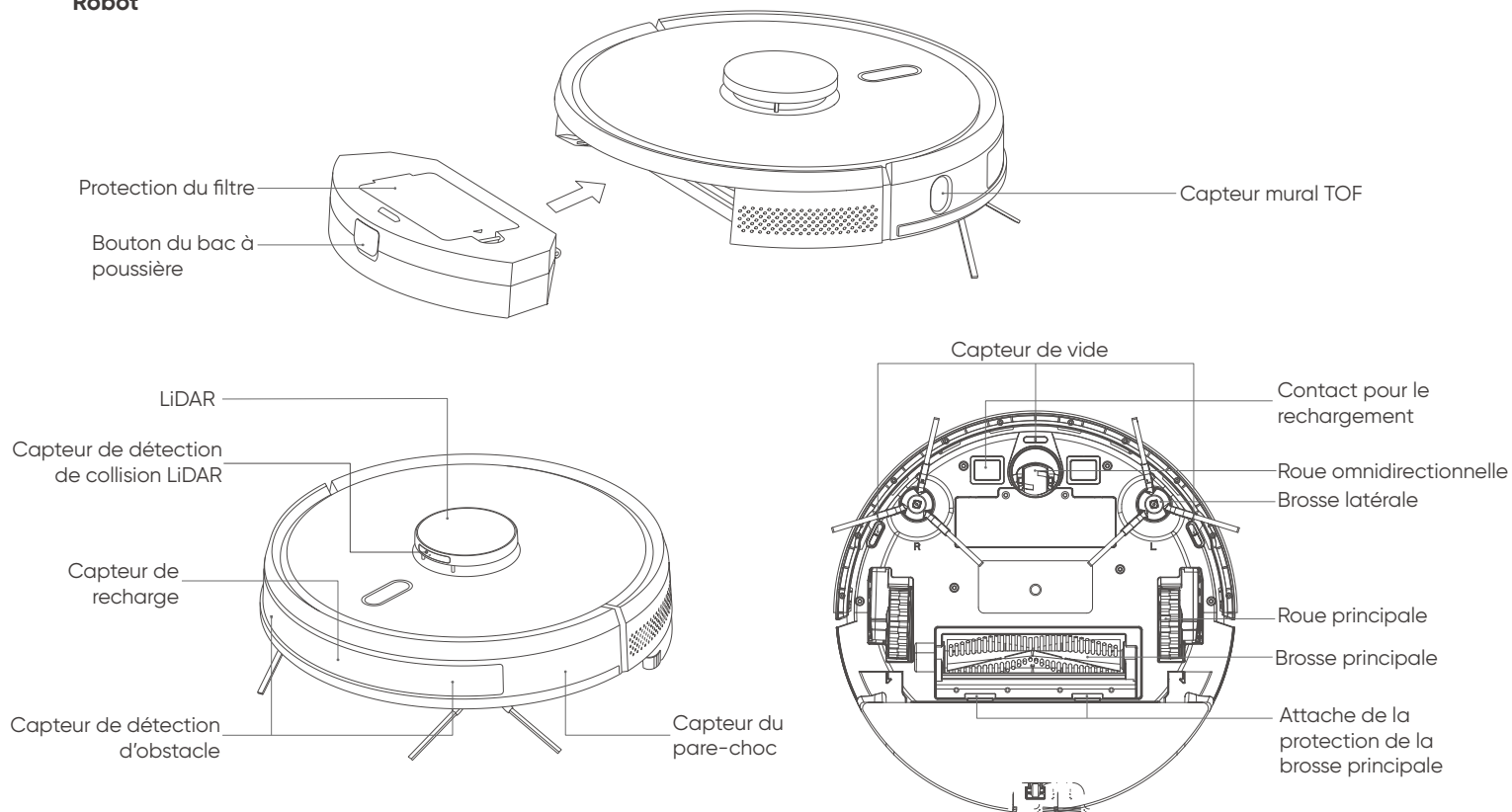
2 serpillères lavables (facultatives)
10 serpillères jetables (facultatives)



Réservoir d'eau
détachable 2 en 1 (facultatif)

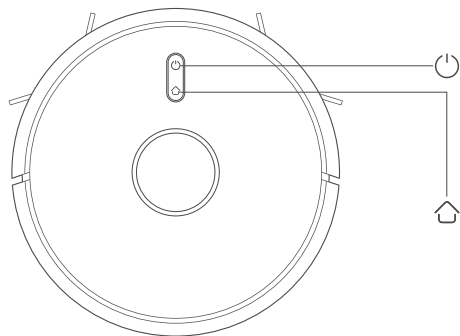
Présentation du produit

Robot



Présentation du produit

Robot



Allumage/extinction/nettoyage/pause

- Appuyez sur ce bouton pour démarrer/mettre en pause le nettoyage
- Maintenez ce bouton appuyé durant 3 secondes pour allumer/éteindre l'appareil
- En cas d'erreur, maintenez ce bouton appuyé durant 15 secondes pour forcer l'appareil à s'éteindre

Recharge/nettoyage partiel/pause

- Appuyez dessus pour recharger/mettre en pause l'appareil
- Maintenez appuyé pour lancer un nettoyage partiel

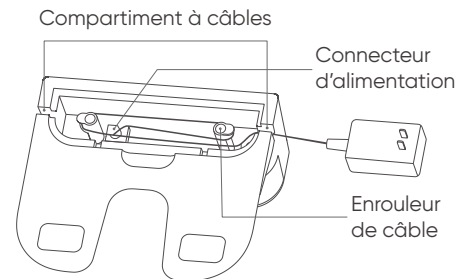
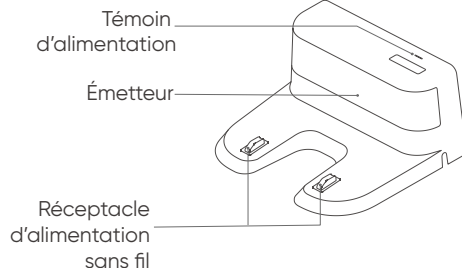
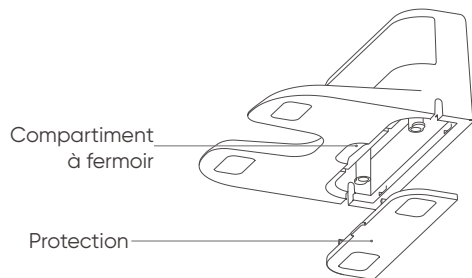
Témoin

- Blanc : Wi-Fi connecté
- Orange : Wi-Fi non connecté
- Rouge : batterie faible ou erreur

Réinitialisation du Wi-Fi

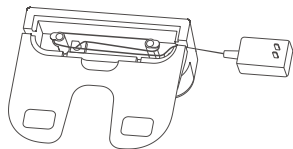
- Maintenez les deux boutons appuyés durant 3 secondes

Socle de charge

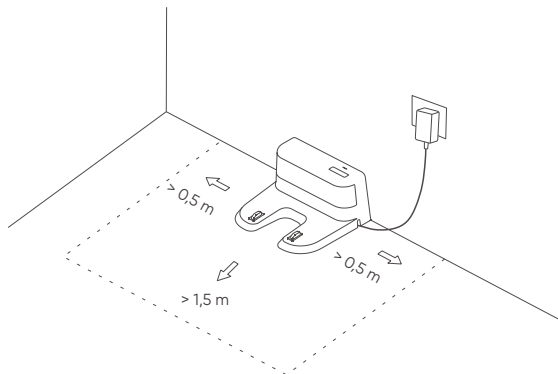


Installation

1. Branchez le câble d'alimentation puis rangez tous les câbles superflus dans le compartiment à câbles.



2. Placez le socle de charge contre un mur et sur une surface plane, puis branchez-le à une source d'alimentation.

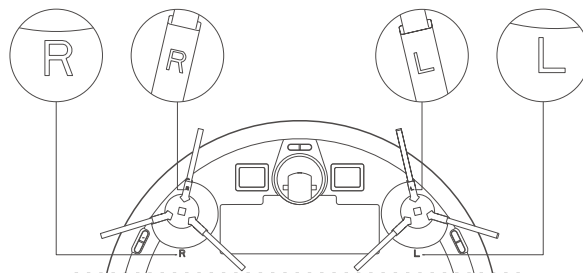


Remarque :


- Assurez-vous que le socle de charge bénéficie d'au moins 0,5 m d'espace libre de chaque côté, et d'au moins 1,5 m d'espace libre devant lui.
- Pendant l'installation, ne laissez pas le câble d'alimentation traîner au sol. Lorsque le câble d'alimentation est au sol, il court le risque d'être entraîné par l'appareil, ce qui débrancherait le socle de charge.
- Le témoin de charge restera allumé tant que l'appareil sera alimenté en électricité.

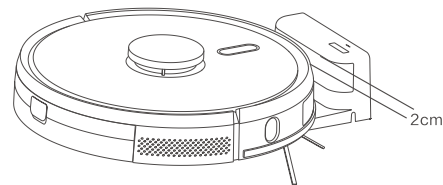
3. Installation des brosses latérales

Alignez les brosses droite et gauche avec les marques correspondantes sur la protection du bas. Appuyez dessus jusqu'à entendre un clic, qui indiquera que l'installation a réussi.



4. Allumage et charge

Maintenez le bouton  appuyé pour démarrer l'appareil. Attendez que le témoin lumineux s'allume puis placez l'appareil sur le socle de charge.

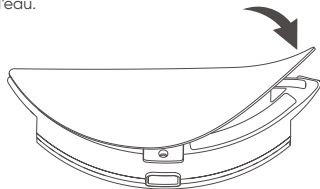


Remarque : l'appareil ne peut pas démarrer si sa batterie n'est pas assez chargée. Placez l'appareil sur le socle de charge et il s'allumera automatiquement dès qu'il sera assez chargé. L'appareil n'est capable de fonctionner normalement qu'à partir de 20 % de charge. Comme l'image l'indique, l'avant de l'appareil doit être orienté vers le socle de charge pour que le contact de rechargement du robot touche le réceptacle d'alimentation sans fil. La distance entre l'avant de l'appareil et le socle de charge devrait avoisiner 2 cm.

Kit serpillière

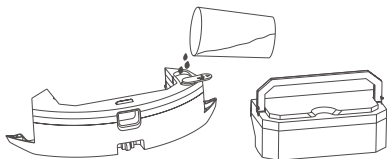
1. Installez le réservoir d'eau détachable 2 en 1

① Installation de la serpillière : fixez la serpillière de manière uniforme sur toute la longueur du réservoir d'eau.



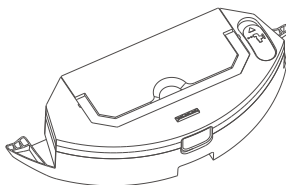
Remarque : nettoyez la serpillière après chaque utilisation pour garantir un résultat optimal.

② Remplissage du réservoir d'eau : ouvrez le couvercle, remplissez le réservoir avec de l'eau puis refermez le couvercle.

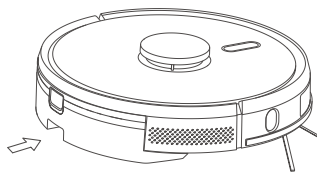


Remarque : il est recommandé de retirer le bac à poussière avant de remplir le réservoir d'eau. Cela permet d'éviter que de l'eau n'entre dans le bac à poussière. Soulevez la poignée, retirez le bac à poussière du réservoir d'eau, remplissez le réservoir puis refermez le couvercle.

③ Installation du réservoir d'eau.



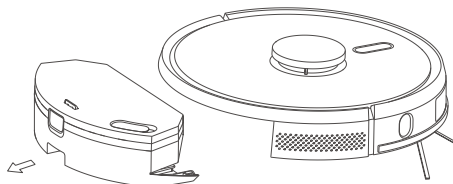
Placez le bac à poussière dans le réservoir d'eau et assurez-vous que la poignée soit à plat.



Maintenez le bouton situé au milieu du réservoir d'eau appuyé puis poussez-le horizontalement vers l'arrière du châssis. Vous entendrez un clic signalant que l'installation est réussie.

2. Retirez le réservoir d'eau détachable 2 en 1

À la fin du processus de nettoyage, maintenez le bouton situé au milieu du réservoir d'eau appuyé et retirez le réservoir en tirant vers l'arrière, videz l'eau qui reste à l'intérieur puis nettoyez la serpillière (ne déplacez pas et ne retournez pas l'appareil pendant qu'il effectue une tâche de nettoyage).



3. Usage

- ① N'utilisez pas le réservoir d'eau s'il n'y a personne à la maison.
- ② Pour des raisons de sécurité, retirez le réservoir d'eau pendant la charge et si vous ne l'utilisez pas.
- ③ N'utilisez pas la fonction serpillière sur de la moquette. Empêchez l'appareil de se rendre dans des zones recouvertes de moquette en définissant des zones interdites dans l'appli mobile.
- ④ Pour que le passage de la serpillière soit optimal, nettoyez trois fois une zone à l'aide du robot avant d'installer le kit serpillière.
- ⑤ Si vous devez rajouter de l'eau ou nettoyer la serpillière au cours d'une tâche de nettoyage, mettez l'appareil en pause et suivez les étapes décrites plus haut. Ne déplacez pas et ne tournez pas l'appareil si vous voulez éviter les erreurs de positionnement et la perte de la carte de nettoyage.
- ⑥ Si la fonction serpillière peut essuyer les surfaces pour faciliter un nettoyage en profondeur, elle ne peut pas enlever les taches difficiles aussi efficacement qu'un être humain.

Connexion à realme Link

Téléchargement de l'application

Méthode 1 : ouvrez votre magasin d'applications et téléchargez l'application realme Link.

Méthode 2 : scannez le code QR ci-dessous.





Ajout de l'appareil

Ouvrez l'appli mobile et appuyez sur la touche + à l'accueil pour vous rendre sur la page de sélection d'appareil. Sélectionnez Robot de nettoyage puis ajoutez l'appareil à votre appli en suivant les instructions.

Mise à jour du firmware

Ouvrez l'appli mobile et naviguez jusqu'à la page de mise à jour du firmware, attendez que l'appli détecte le dernier firmware en date puis suivez les instructions. Pour mettre le firmware à jour, la batterie doit être au moins à 50 % de charge. Il est recommandé de placer l'appareil sur le socle de charge pendant une mise à jour du firmware.

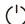
Réinitialisation du Wi-Fi

Si votre téléphone ne parvient plus à se connecter à votre appareil parce que la configuration du routeur a changé, le mot de passe a été modifié, ou toute autre raison, maintenez les boutons  et  appuyés pendant 3 secondes. Vous devriez entendre : « Le Wi-Fi a été réinitialisé ».



Usage

Allumage/extinction

Maintenez le bouton  appuyé durant 3 secondes. Le témoin s'illuminera pour indiquer que l'appareil est en tension.

Remarque : l'appareil ne peut pas être éteint pendant qu'il est en charge.

Nettoyage/pause

Une fois l'appareil allumé, appuyez sur le bouton  sur le robot ou utilisez l'appli mobile pour lancer le nettoyage.


(Appuyez sur un bouton pendant le nettoyage pour le mettre en pause.)

Remarque :

- Les robots de nettoyage ne sont pas conçus pour nettoyer des liquides.
- Si la batterie est à moins de 20 % de charge, l'appareil ne pourra pas effectuer de tâche de nettoyage. Chargez l'appareil avant de lancer un nettoyage.
- Si la batterie tombe sous les 20 % de charge pendant le nettoyage, le robot retournera automatiquement au socle de charge. Une fois la batterie rechargée à 80 %, il tentera de reprendre son nettoyage là où il l'avait laissé.
- Retirez tous les câbles qui traînent au sol (dont le câble d'alimentation du socle de charge) avant de lancer un nettoyage. Cela permet de s'assurer que l'appareil ne causera pas de coupure de courant et n'endommagera pas d'objets ou de câbles.

Charge

Automatique : une fois le nettoyage terminé, l'appareil retourne automatiquement au socle de charge.

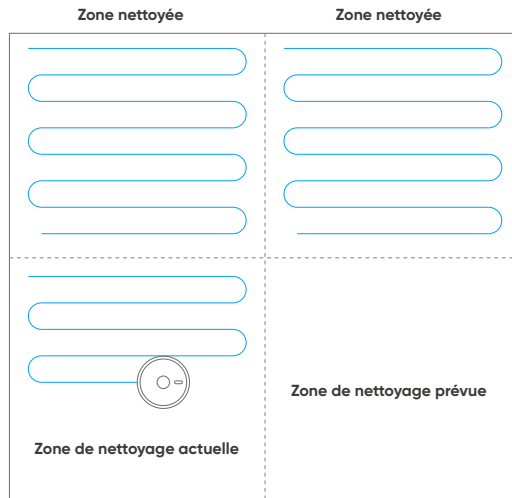
Manuelle : quand l'appareil est mis en pause, appuyez sur le bouton  ou utilisez l'appli mobile pour démarrer le processus de recharge.

Remarque : si l'appareil ne parvient pas à trouver le socle de charge, il retournera à sa position de départ.

Vous devrez le remettre manuellement sur le socle de charge.

Nettoyage automatique

Au début du processus de nettoyage, l'appareil scanne la zone, génère une carte et divise intelligemment la carte en plusieurs secteurs. L'appareil commence par nettoyer chaque secteur situé le long des murs, puis nettoie le reste du secteur en suivant une trajectoire en forme d'arc. Chaque zone est nettoyée une par une, de manière ordonnée, efficace et exhaustive. Une fois le nettoyage terminé, l'appareil retourne automatiquement au socle de charge.



Remarque :


Ne pas déplacer arbitrairement ou fréquemment l'appareil pendant son fonctionnement. Si vous déplacez l'appareil, ne le replacez pas trop loin de sa position d'origine. Après un redémarrage, l'appareil tentera de retrouver ses coordonnées d'origine. Si la localisation est réussie, l'appareil continuera de suivre le chemin prévu. Si la localisation échoue, l'appareil abandonnera sa tâche précédente et tentera d'établir une nouvelle carte afin de redémarrer le processus de nettoyage. Dans ce cas, l'appareil pourrait ne pas réussir à se recharger.

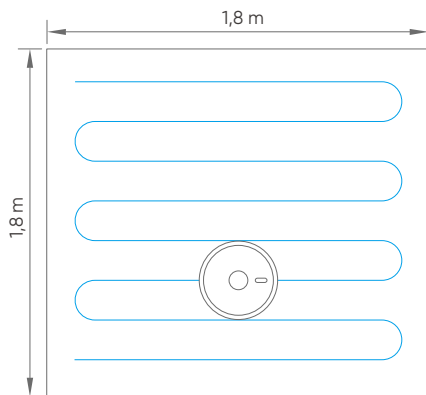
Usage

Détachage

Si vous souhaitez nettoyer en profondeur une certaine zone, précisez son emplacement sur l'appli mobile. L'appareil se centrera et nettoiera deux fois la zone de 1,5 m² autour de lui.

Nettoyage partiel

Si vous n'arrivez pas à contrôler l'appareil via l'appli mobile, placez-le manuellement dans la zone à nettoyer puis maintenez le bouton  appuyé pendant 3 secondes. L'appareil se centrera et nettoiera une fois la zone de 1,8 m² autour de lui.



Zone personnalisée

Utilisez l'appli mobile pour définir la taille et la position de la ou des zones à nettoyer.

Zone interdite

Utilisez l'appli mobile pour définir une ou plusieurs zones interdites. L'appareil ne tentera pas de pénétrer dans les zones interdites pour les nettoyer.

Remarque :

- **L'appareil peut pénétrer dans des zones interdites en cas d'erreur de positionnement ou de défaut des capteurs.**
- **Les zones interdites permanentes peuvent devenir invalides en cas de changement significatif de la position du mobilier ou du socle de charge. Ne pas déplacer ou interférer avec l'appareil pendant qu'il est en fonctionnement.**
- **Établir une nouvelle carte supprimera toutes les zones interdites permanentes.**

Nettoyage programmé

Utilisez l'appli mobile pour programmer des horaires de nettoyage. L'appareil se mettra automatiquement à nettoyer aux horaires fixés, puis retournera au socle de charge une fois sa tâche accomplie.

Aspiration

Utilisez l'appli mobile pour choisir entre les modes d'aspiration silencieuse, standard, forte ou ultra. Le mode par défaut est aspiration standard.

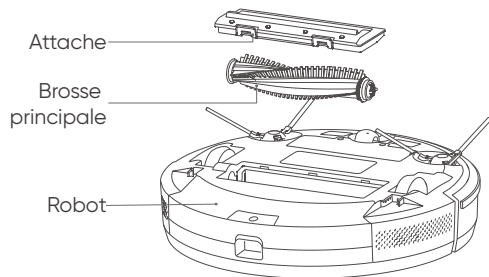
Niveau d'eau

Utilisez l'appli mobile pour choisir entre les modes de nettoyage sec ou à humidification faible, moyenne ou élevée. Le mode par défaut est humidification élevée.

Maintenance de routine

Brosse principale

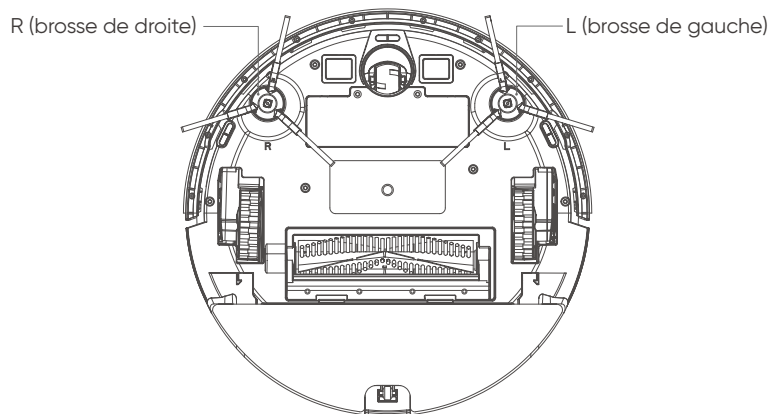
1. Retournez l'appareil et appuyez sur l'attache de la protection de la brosse principale pour retirer la brosse principale.
2. Servez-vous de l'outil correspondant pour nettoyer la brosse principale : retirez la poussière coincée dans les cavités et tout corps étranger emmêlé.
3. Remettez en place la brosse principale, appuyez sur la protection et refermez l'attache.



Brosse latérale

1. Retournez l'appareil et retirez la brosse latérale à la verticale.
2. Enlevez les cheveux et la poussière dessus puis remettez la brosse en place.
3. Alignez les brosses droite et gauche avec les marques correspondantes sur la protection du bas puis appuyez dessus pour les installer.

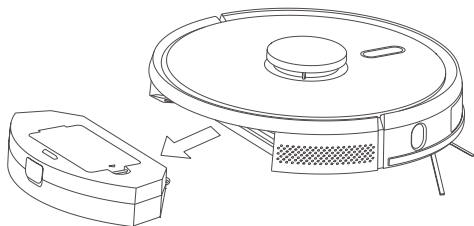
Remarque : il est recommandé de remplacer la brosse latérale tous les 3 à 6 mois pour conserver des performances optimales.



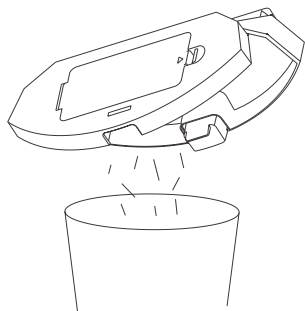
Maintenance de routine

Bac à poussière

1. Maintenez le bouton du bac à poussière appuyé et tirez sur le bac à poussière pour le sortir.

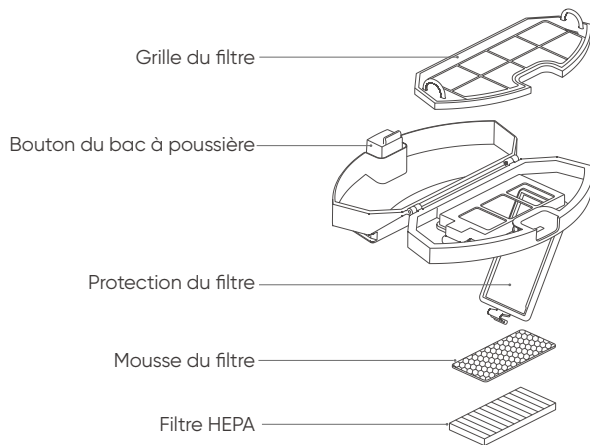


2. Ouvrez le bac à poussière et videz-le dans votre poubelle.



Filtre

1. Après une longue période d'utilisation, retirez la grille du filtre, la mousse du filtre et le filtre HEPA.
2. Rincez la grille du filtre, la mousse du filtre, le filtre HEPA et le bac à poussière au robinet.
3. Secouez-les bien pour enlever les gouttes d'eau puis laissez-les sécher entièrement.
4. Une fois bien secs, réinstallez les filtres dans l'ordre suivant : grille du filtre > mousse du filtre > filtre HEPA.



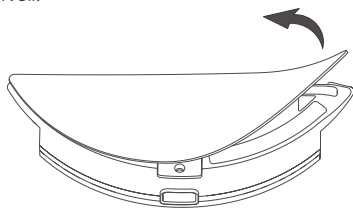
Remarque :

- Rincez à l'eau claire. N'ajoutez pas de détergent.
- Ne nettoyez pas le filtre avec une brosse ou vos doigts.
- Laissez le filtre sécher intégralement pendant au moins 24 h.
- Il est recommandé de remplacer le filtre tous les 3 à 6 mois.

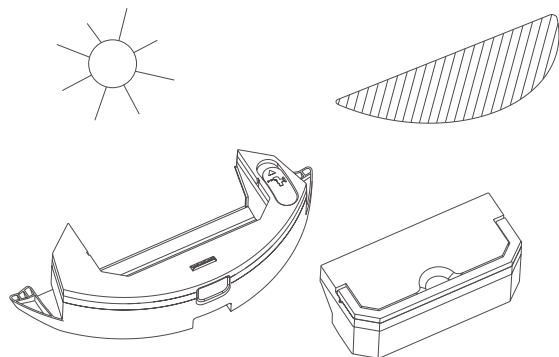
Maintenance de routine

Réservoir d'eau détachable 2 en 1 (à nettoyer après chaque utilisation)

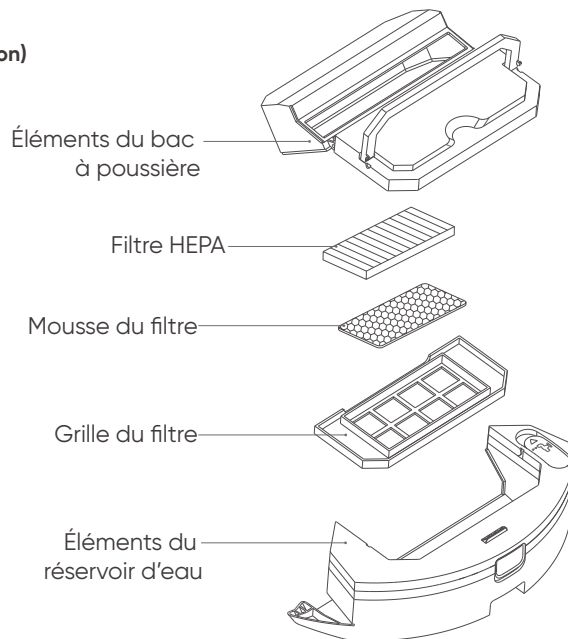
1. Retirez la serpillière et videz l'eau qui reste dans le réservoir.



2. Lavez la serpillière puis séchez le réservoir d'eau et la serpillière en vue de la prochaine utilisation.



Soulevez la poignée, retirez le bac à poussière du réservoir d'eau, videz l'eau puis séchez le réservoir.



Batterie

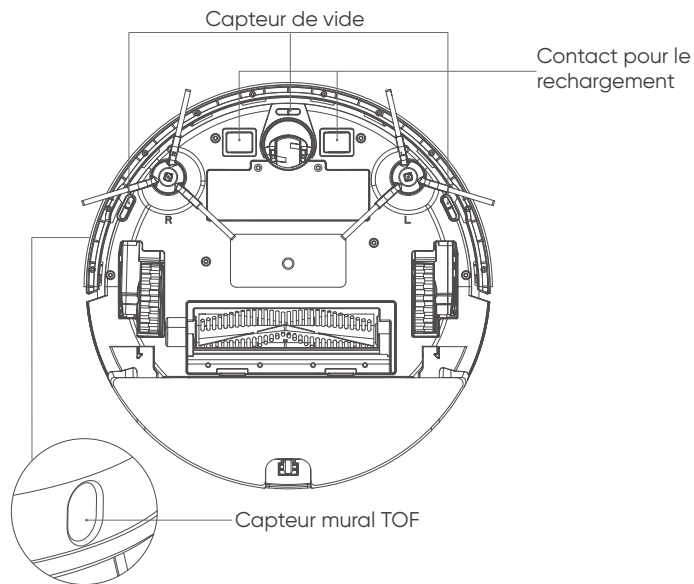
- Le châssis de l'appareil renferme une batterie lithium-ion haute performance. Afin de garantir des performances optimales, maintenez votre appareil chargé.
- Si vous ne comptez pas utiliser l'appareil durant une longue période, éteignez-le et entreposez-le dans un endroit sûr. Chargez l'appareil au moins une fois tous les 3 mois pour éviter que la batterie ne se décharge entièrement.

Maintenance de routine

Capteurs(à nettoyer régulièrement)

Utilisez un chiffon sec et doux pour essuyer tous les capteurs de l'appareil, parmi lesquels :

1. Le capteur mural TOF sur la droite du robot
2. Les trois capteurs de prévention de chute situés en-dessous du robot
3. Le capteur de détection d'obstacle à l'avant du robot
4. Le capteur de détection de collision LIDAR au-dessus du robot
5. Le contact de rechargement sous le robot et le réceptacle d'alimentation sans fil sur le socle de charge (éteindre l'appareil avant de le nettoyer)
6. L'émetteur du socle de charge



Caractéristiques techniques

Robot

Nom du produit	realme TechLife Robot Vacuum
Modèle	RMH2101
Dimensions	350x350x100 mm
Poids	3,3 kg
Batterie	Batterie au lithium 5 200 mAh
Tension d'entrée	14,4 V
Puissance nominale	50 W

Socle de charge

Modèle	RMH2101CB
Dimensions	160x143x80 mm
Puissance nominale	20 W
Puissance de sortie nominale	20 W

Résolution des problèmes

Message d'erreur	Solution
Erreur 1 : le bac à poussière semble absent.	L'appareil a été démarré sans bac à poussière. Rattachez le bac à poussière.
Erreur 2 : le radar supérieur semble être obstrué ou coincé.	Le radar supérieur est couvert ou placé dans un lieu ouvert. Retirez ce qui recouvre le radar supérieur ou remplacez l'appareil à l'intérieur d'une pièce.
Erreur 3 : merci de me replacer ailleurs puis de me redémarrer.	L'appareil est actuellement en l'air. Placez l'appareil sur une surface plane puis redémarrez-le.
Erreur 4 : merci de nettoyer le capteur de vide, de déplacer l'appareil puis de le redémarrer.	Le capteur de vide est obstrué ou placé dans un lieu en hauteur. Essuyez la vitre du capteur de vide à l'aide d'un chiffon sec et doux, placez l'appareil sur le sol puis redémarrez-le.
Erreur 5 : merci de nettoyer le capteur frontal, de déplacer l'appareil puis de le redémarrer.	Le capteur de détection d'obstacle est sale ou est obstrué. Essuyez le haut du capteur de détection d'obstacle avec un chiffon sec et doux.
Erreur 6 : merci de nettoyer le capteur droit, de déplacer l'appareil puis de le redémarrer.	Le capteur mural TOF est sale ou obstrué. Essuyez le capteur mural TOF avec un chiffon sec et doux.
Erreur 7 : merci de nettoyer la protection du radar supérieur, de déplacer l'appareil puis de le redémarrer.	Le capteur de détection de collision LiDAR est sale ou est obstrué. Essuyez le haut du capteur de détection de collision LiDAR avec un chiffon sec et doux.
Erreur 8 : le pare-choc semble être coincé.	Le pare-choc ou le capteur du pare-choc est coincé. Déplacez le pare-choc avant de gauche à droite pour voir s'il est coincé.
Erreur 9 : merci de nettoyer le bac à poussière et le filtre.	Nettoyez le filtre et le bac à poussière, ou remplacez le filtre.
Erreur 10 : le bac à poussière a été retiré. Merci de nettoyer le bac à poussière et le filtre.	Nettoyez le filtre et le bac à poussière, ou remplacez le filtre.
Erreur 11 : je suis coincé ! À l'aide !	Placez l'appareil sur une surface plane puis redémarrez-le.

Résolution des problèmes

Message d'erreur	Solution
Erreur 12 : merci de me remettre à plat !	L'appareil est sur un pan incliné. Placez l'appareil sur une surface plane puis redémarrez-le.
Erreur 13 : les pneus semblent être coincés.	La roue principale est coincée ou emmêlée. Vérifiez la roue principale et retirez tout corps étranger.
Erreur 14 : la brosse principale semble être coincée.	La brosse principale est coincée ou emmêlée. Vérifiez la brosse principale et retirez tout corps étranger.
Erreur 15 : la brosse latérale semble être coincée.	La brosse latérale est coincée ou emmêlée. Vérifiez la brosse latérale et retirez tout corps étranger.
Erreur 16 : oh oh ! Où est le socle de charge ?	Si l'appareil indique que le socle de charge est introuvable ou n'est pas branché, vérifiez si le témoin lumineux du socle de charge est allumé ou replacez l'appareil sur le socle de charge.
Erreur 17 : oh non ! Mon programme a rencontré une erreur. Merci de me redémarrer !	Cette erreur provient d'un défaut non identifié. Redémarrez l'appareil.
Erreur 18 : un échec a entraîné l'extinction automatique de l'appareil.	Redémarrez l'appareil. Si le problème persiste, contactez le service après-vente.
Erreur 19 : la batterie est faible et doit être rechargée.	Placez l'appareil sur le socle de charge.
Erreur 20 : pour éteindre l'appareil, éloignez-le du socle de charge puis réessayez.	Le produit ne peut pas être éteint quand il est sur le socle de charge. Éloignez le produit du socle de charge puis maintenez le bouton d'alimentation appuyé.

Problèmes courants

Type de problème	Solution
Impossible de démarrer	<ul style="list-style-type: none">• La batterie est faible. Placez le produit sur le socle de charge, en alignant bien ses connecteurs avec ceux du réceptacle d'alimentation sans fil. L'appareil devrait s'allumer automatiquement. Si la batterie était à plat, il est possible que l'allumage prenne un peu de temps.• La température ambiante est supérieure à la fenêtre de fonctionnement nominal de 0-40 °C. N'utilisez le produit que lorsque la température ambiante se trouve dans cette fenêtre.
Charge impossible	<ul style="list-style-type: none">• Retirer l'appareil et vérifier si le témoin du socle de charge est allumé. S'assurer que les deux tiges de l'adaptateur secteur du socle de charge sont bien branchées, que l'avant de l'appareil est bien tourné vers le socle de charge, et que la distance entre l'avant de l'appareil et le socle de charge est bien d'environ 2 cm.• La connexion est peut-être mauvaise. Nettoyer les contacts pour le rechargement sur le réceptacle d'alimentation sans fil et sur le châssis de l'appareil, ou retirer les brosses latérales.• Charger l'appareil à température ambiante, entre 0 et 40 °C.
Recharge impossible	Le produit est trop loin du socle de charge. Rapprochez-le puis réessayez.
Bruits incongrus lors du fonctionnement	Un corps étranger est peut-être emmêlé à la brosse principale, aux brosses latérales ou aux roues. Éteignez l'appareil et nettoyez-le.
Performances réduites ou poussière qui s'échappe	<ul style="list-style-type: none">• Le bac à poussière est plein et doit être vidé.• Le filtre est bouché et doit être nettoyé ou remplacé.• La brosse principale est emmêlée à un corps étranger et doit être nettoyée.
Impossible de se connecter au Wi-Fi	<ul style="list-style-type: none">• Le signal Wi-Fi est mauvais. Assurez-vous que le produit soit placé dans une zone bénéficiant d'une bonne couverture Wi-Fi.• Une erreur de connexion Wi-Fi s'est produite. Réinitialisez la connexion Wi-Fi, téléchargez la dernière version du client mobile puis réessayez.• Le mot de passe saisi est incorrect.• Le réseau du routeur est en 5 GHz. Ce produit n'est compatible qu'avec des réseaux 2,4 GHz.
Consommation d'énergie sur le socle de charge	Lorsque le produit est sur le socle de charge, il consommera une petite quantité d'énergie dans le but de garantir des performances optimales à la batterie.

Scannez le code QR si vous avez besoin d'aide supplémentaire



Informazioni sulla sicurezza

Limiti d'utilizzo

- Questo prodotto viene utilizzato esclusivamente per la pulizia dei pavimenti in un ambiente domestico. Pertanto, non può essere utilizzato in ambienti esterni (ad esempio una terrazza all'aperto), sopraelevati da terra (ad esempio un divano), commerciali o industriali.
- Non utilizzare il prodotto a mezz'aria (ad esempio su attici, terrazze all'aperto e mobili) senza una barriera protettiva.
- Non utilizzare il prodotto a una temperatura superiore a 40 °C o inferiore a 0 °C, né in presenza di liquidi e sostanze appiccicose a terra.
- Sollevare i cavi da terra prima dell'uso, onde evitare che vengano trascinati dal robot.
- Rimuovere eventuali residui e oggetti fragili (ad esempio vasi, buste di plastica, ecc.) da terra, onde evitare danni a oggetti di valore qualora il robot si blocchi o li urti leggermente.
- Questo apparecchio può essere utilizzato dai bambini a partire dagli 8 anni d'età e da persone con capacità fisiche, mentali o sensoriali ridotte, oppure prive dell'esperienza e delle conoscenze adeguate, a patto che siano poste sotto supervisione o istruite in merito all'uso sicuro del dispositivo e che comprendano i pericoli associati. I bambini non devono giocare con l'apparecchio. Gli interventi di pulizia e manutenzione non devono essere condotti da bambini senza supervisione.
- Tenere la spazzola principale e gli altri strumenti per la pulizia lontano dalla portata dei bambini.
- Non collocare oggetti (inclusi bambini e animali domestici) sul dispositivo, che sia spento o in movimento.
- Tenere i capelli, le dita e qualunque altra parte del corpo o i propri animali domestici lontano dalla bocchetta d'aspirazione quando il dispositivo è in funzione.
- Non utilizzare il prodotto per spolverare oggetti che bruciano (ad esempio i mozziconi di sigaretta ancora accesi).
- Non utilizzare il prodotto per pulire tappeti a pelo lungo (certi tappeti di colore scuro potrebbero anche non essere puliti normalmente).
- Evitare che il robot aspiri oggetti duri o affilati (ad esempio materiali decorativi di scarto, vetro, chiodi di ferro, ecc.).
- Non spostare il dispositivo tenendolo dal coperchio protettivo del sensore LiDAR o dal paraurti.
- Eseguire gli interventi di pulizia e manutenzione del robot e della sua base di ricarica a dispositivo spento.
- Non pulire alcuna parte del prodotto usando un panno umido o sostanze liquide.
- Utilizzare il prodotto secondo quanto riportato nel Manuale utente. L'utente è responsabile per qualunque danno o infortunio causati da un uso improprio del prodotto.
- Non utilizzare la funzione di lavaggio su tappeti o mobili.
- Assicursi di rimuovere il serbatoio dell'acqua prima di caricare il dispositivo.

Informazioni sulla sicurezza

1. Il dispositivo deve essere utilizzato esclusivamente con l'alimentatore fornito in dotazione.
2. L'adattatore deve essere scollegato dalla presa di corrente prima di procedere alla pulizia o alla manutenzione del dispositivo.
3. Questo apparecchio contiene batterie che possono essere sostituite esclusivamente da personale qualificato.
4. La batteria deve essere rimossa dal dispositivo prima della rottamazione.
5. Il dispositivo deve essere scollegato dall'alimentazione di rete quando si procede alla rimozione della batteria.
6. La batteria deve essere smaltita in modo sicuro.
7. **AVVERTENZA:** ai fini della ricarica della batteria, utilizzare esclusivamente l'unità di alimentazione estraibile fornita in dotazione con il dispositivo.

Tipo di spina	Modello	Ingresso	Uscita
UE	GA241-2001000E	100-240 V CA 50/60 Hz 0,6 A	20 V/1 A
UK	GA241-2001000B	100-240 V CA 50/60 Hz 0,6 A	20 V/1 A
USA	GA241-2001000U	100-240 V CA 50/60 Hz 0,6 A	20 V/1 A
India	GA241-2001000I	100-240 V CA 50/60 Hz 0,6 A	20 V/1 A

Batteria e carica

- Non utilizzare batterie, basi di ricarica o caricabatterie forniti da terze parti.
- Non smontare o riparare arbitrariamente la batteria o la base di ricarica.
- Tenere la base di ricarica lontana da fonti di calore (ad esempio una piastra riscaldante).
- Non spolverare o pulire la parte metallica del connettore di alimentazione della base di ricarica con un panno umido o con le mani bagnate.
- Non buttare arbitrariamente le batterie esaurite. Le batterie usate devono essere smaltite da un ente preposto al riciclaggio professionale.
- Nel caso in cui la linea elettrica sia danneggiata o rotta, interromperne immediatamente l'utilizzo e sostituirla tramite uno dei canali ufficiali.
- Assicurarsi che il robot sia spento e collocato nel suo imballo originale se si intende trasportarlo.
- Qualora il dispositivo non venga utilizzato per un periodo prolungato, caricarlo completamente e conservarlo in un luogo fresco e asciutto. Caricare il dispositivo almeno ogni 3 mesi onde evitare danni alla batteria dovuti a un eccessivo scaricamento.

Informazioni sulla sicurezza

Istruzioni per lo smaltimento

- Le informazioni riportate di seguito si applicano solo allo smaltimento del dispositivo, non al suo utilizzo giornaliero.
 - Le sostanze chimiche contenute all'interno della batteria del robot inquinano l'ambiente. Prima di provvedere allo smaltimento del prodotto, rimuovere la batteria dal robot e consegnarla presso un centro preposto al riciclaggio professionale. La batteria deve essere smaltita solo dopo essere stata interamente utilizzata. Non lasciare in alcun caso che la batteria entri in contatto con oggetti metallici.
- Rimozione della batteria:
1. Lasciare il dispositivo in funzione fino al consumo totale della batteria e al suo arresto, assicurandosi al contempo che il robot non tocchi la base di ricarica.
 2. Rimuovere le viti sul coperchio della batteria.
 3. Rimuovere il coperchio della batteria, estrarne la spina, quindi rimuovere la batteria.

Informazioni sulla sicurezza del laser

- Il sensore LiDAR è conforme allo standard IEC60825 applicabile ai prodotti laser di classe 1 e non produce radiazioni laser pericolose.
- Categoria laser IEC-60825 classe 1
- Il prodotto raggiunge una potenza laser in uscita massima di 10 mW
- Tempo di impulso della testa laser (1/2300 s)
- Radiazione laser invisibile
- L'energia laser e/o l'esposizione in prossimità dell'apertura potrebbe causare ustioni.
- Standard: IEC 60825-1:2014

Frequenza	2,4 Ghz~2,4835 Ghz
Potenza	≤17 dBm

Avvertenza



Questo simbolo indica che, in ottemperanza alle leggi e ai regolamenti locali, il prodotto e/o la sua batteria devono essere smaltiti separatamente dai comuni rifiuti domestici. Al termine del ciclo di vita del prodotto, l'utente può scegliere di consegnare il prodotto presso un ente preposto alle operazioni di riciclaggio. Il corretto riciclaggio del prodotto aiuterà a salvaguardare la salute umana e l'ambiente.



Solo per uso in ambienti interni

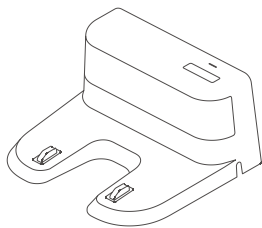
Avvertenze sulla batteria

1. Il prodotto è dotato di una batteria al litio. Questa non deve essere smontata, urtata, estratta con forza né esposta al fuoco.
2. Una batteria soggetta a una pressione atmosferica estremamente bassa potrebbe causare un'esplosione o la fuoriuscita di sostanze liquide o gassose infiammabili.
3. Non collocare la batteria in un ambiente caratterizzato da una temperatura elevata e non esporla alla luce del sole, onde evitare che esploda.
4. Interrompere l'utilizzo del prodotto qualora si presenti rigonfiamento.
5. Smaltire la batteria in conformità alle disposizioni locali. Non smaltire la batteria come rifiuto domestico.
6. Non tentare di riparare, disassemblare o modificare la batteria. Sostituire la batteria con una di tipo errato potrebbe causare un'esplosione.
7. Non esercitare pressioni sulla batteria, né forarla con oggetti duri. Eventuali danni alla batteria potrebbero causare fuoriuscite, surriscaldamento o incendi.

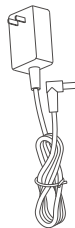
Con la seguente, realme dichiara che questo dispositivo è conforme ai requisiti essenziali e ad altre pertinenti disposizioni della direttiva 2014/53/UE sulle apparecchiature radio. La dichiarazione di conformità può essere consultata all'indirizzo Web www.realme.com/global/support/declaration.

Presentazione del prodotto

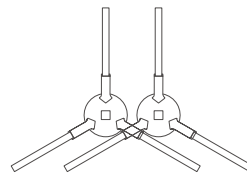
Contenuto della confezione



Base di ricarica x 1



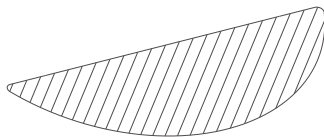
Adattatore x 1



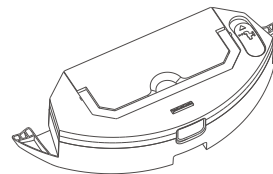
Spazzola laterale L x 1
Spazzola laterale R x 1



Scovolino di pulizia x 1



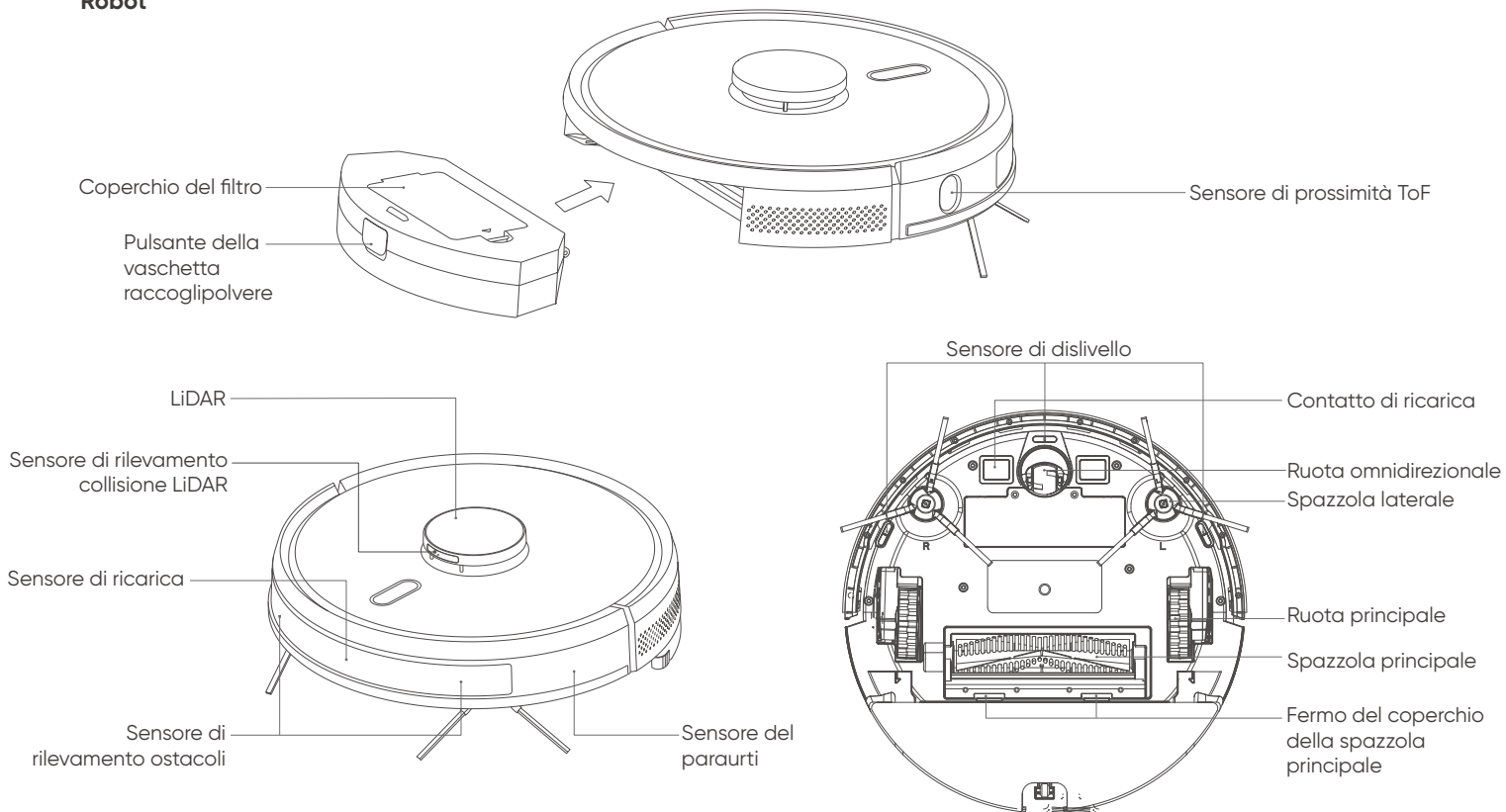
Panno lavabile x 2 (opzionale)
Panno monouso x 10 (opzionale)



Serbatoio dell'acqua
2 in 1 estraibile (opzionale)

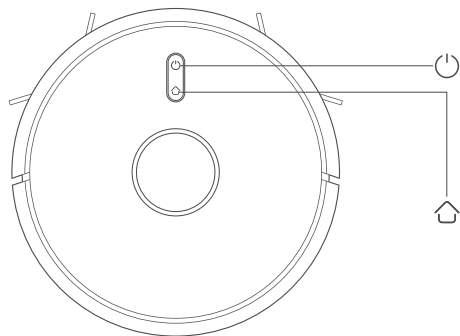
Presentazione del prodotto

Robot



Presentazione del prodotto

Robot



On/Off/Pulizia/Sospensione

- Premere per avviare/sospendere il ciclo di pulizia
- Tenere premuto per 3 secondi per accendere/spengere il dispositivo
- Se si verifica un errore, tenere premuto per 15 secondi per forzare l'arresto del dispositivo

Ricarica/Pulizia parziale/Sospensione

- Premere per caricare/sospendere
- Tenere premuto per avviare una pulizia parziale

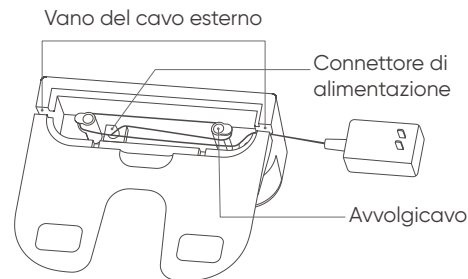
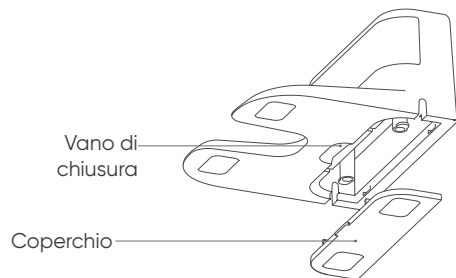
Indicatore

- Spia bianca: connesso alla rete Wi-Fi
- Spia arancione: non connesso alla rete Wi-Fi
- Spia rossa: errore o batteria scarica

Reimpostazione del Wi-Fi

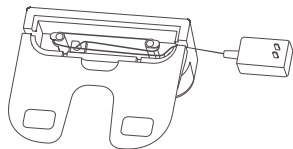
- Tenere premuti entrambi i pulsanti per 3 secondi

Base di ricarica

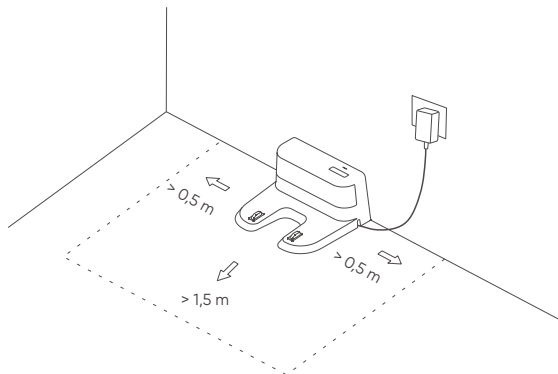


Installazione

1. Collegare il cavo di alimentazione e mettere la parte in eccesso nell'apposito alloggiamento cavi.



2. Posizionare la base di ricarica contro la parete su una superficie piana, quindi collegarla a una presa di corrente.

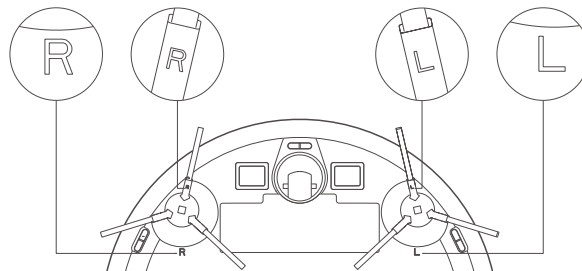


Note:


- Assicurarsi che su entrambi i lati della base di ricarica vi sia uno spazio di almeno 0,5 m e che di fronte vi sia uno spazio di almeno 1,5 m.
- Durante l'installazione, tenere il cavo di alimentazione sollevato da terra. Qualora il cavo di alimentazione poggiasse a terra, potrebbe essere trascinato dal dispositivo, causando lo spegnimento della base di ricarica.
- L'indicatore di carica rimarrà acceso finché passa la corrente.

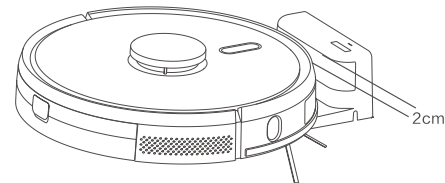
3. Installare le spazzole laterali

Allineare la spazzola destra e sinistra ai contrassegni corrispondenti sul coperchio inferiore. Premere fino a sentire un clic, il che indica che l'installazione è riuscita.



4. Collegare alla presa di corrente e caricare

Tenere premuto il pulsante  per accendere il dispositivo. Attendere che l'indicatore si illumini e posizionare il dispositivo sulla base di ricarica.

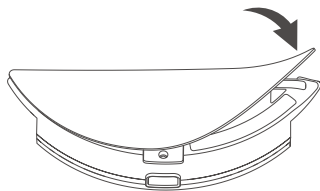


Nota: il dispositivo non si avvierà se la batteria non è sufficientemente carica. Posizionare il dispositivo sulla base di ricarica e si accenderà automaticamente non appena sarà abbastanza carica. Il dispositivo funzionerà normalmente solo quando la batteria sarà carica almeno al 20%. Come mostrato in figura, la parte anteriore del dispositivo dovrebbe essere rivolta verso la base di ricarica così che il contatto di ricarica del robot tocchi il ricevitore di alimentazione wireless. La distanza tra la parte anteriore del dispositivo e la base di ricarica dovrebbe essere di almeno 2 cm.

Kit per il lavaggio

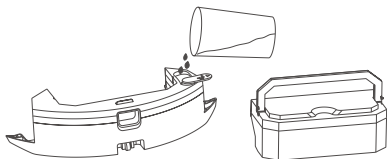
1. Installare il serbatoio dell'acqua 2 in 1 estraibile

- ① Installare il panno: fissare il panno uniformemente lungo la parte inferiore del serbatoio dell'acqua.



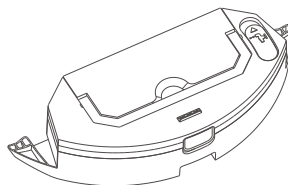
Nota: pulire il panno dopo ogni utilizzo al fine di garantire prestazioni ottimali.

- ② Riempire il serbatoio dell'acqua: aprire il coperchio, riempire il serbatoio con acqua e fissare il coperchio.

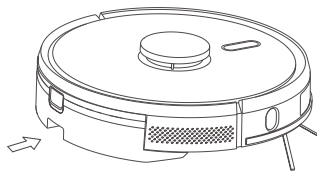


Nota: si consiglia di rimuovere la vaschetta raccogli-polvere prima di procedere con il riempimento del serbatoio dell'acqua. Così facendo si assicurerà che l'acqua non penetri nella vaschetta raccogli-polvere. Sollevare la maniglia, rimuovere la vaschetta raccogli-polvere dal serbatoio, riempire quest'ultimo con acqua e fissare il coperchio.

- ③ Installare il serbatoio dell'acqua.



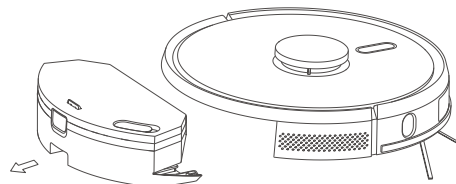
Collocare la vaschetta raccogli-polvere nel serbatoio dell'acqua, assicurandosi che la maniglia sia piatta.



Tenere premuto il pulsante che si trova al centro del serbatoio dell'acqua, quindi spingere il serbatoio orizzontalmente lungo il retro del corpo del dispositivo. Si sentirà un clic al completamento dell'installazione.

2. Rimuovere il serbatoio dell'acqua 2 in 1 estraibile

Quando il dispositivo termina la pulizia, tenere premuto il pulsante al centro del serbatoio dell'acqua, rimuovere quest'ultimo tirandolo indietro, rimuovere i residui d'acqua e pulire il panno (non muovere né capovolgere il dispositivo durante la pulizia).



3. Utilizzo

- ① Non utilizzare il serbatoio dell'acqua quando non c'è nessuno in casa.
- ② Per garantire la sicurezza, rimuovere il serbatoio dell'acqua quando il dispositivo non è in uso o quando è sotto carica.
- ③ Non utilizzare la funzione di lavaggio sui tappeti. Evitare che il dispositivo acceda ad aree con pavimenti in moquette utilizzando la funzione di aree ad accesso limitato sull'app per dispositivi mobili.
- ④ Per garantire ottime prestazioni di lavaggio, utilizzare il dispositivo per pulire l'area tre volte prima di installare il modulo di lavaggio.
- ⑤ Se occorre aggiungere dell'acqua o pulire il panno durante un ciclo di pulizia, mettere in pausa il dispositivo e seguire i passaggi riportati in alto. Non muovere né ruotare il corpo del dispositivo, onde evitare errori di posizionamento e la perdita della mappa.
- ⑥ Sebbene la funzione di lavaggio di cui è dotato il dispositivo consenta di pulire le superfici a supporto di una pulizia più profonda, non è comunque in grado di rimuovere efficacemente le macchie più ostinate come quando si procede manualmente.

Connessione a realme Link

Download dell'app

Metodo 1: aprire l'App Store e scaricare l'app realme Link.
Metodo 2: scansionare il codice QR in basso.





Aggiunta del dispositivo

Aprire l'app per dispositivi mobili e toccare il pulsante + nella pagina iniziale per accedere alla pagina di selezione del dispositivo. Selezionare Robot aspirapolvere, quindi aggiungere il dispositivo nell'app seguendo le istruzioni.

Aggiornamento del firmware

Aprire l'app per dispositivi mobili e andare alla pagina di aggiornamento del firmware, attendere che l'app rilevi il nuovo firmware e seguire le istruzioni. La batteria deve essere carica al 50% per poter eseguire l'aggiornamento del firmware. Si consiglia di posizionare il dispositivo sulla base di ricarica durante l'aggiornamento del firmware.


Reimpostazione del Wi-Fi

Nel caso in cui non si riesca a eseguire la connessione al dispositivo con il proprio telefono a causa di modifiche apportate alla configurazione del router, alla password o per altri motivi, tenere premuti contemporaneamente i pulsanti  e  per 3 secondi. A questo punto, si dovrebbe sentire il messaggio acustico "Wi-Fi reimpostato".




Utilizzo

On/Off

Tenere premuto il pulsante  per 3 secondi. L'indicatore dovrebbe illuminarsi per indicare che il robot è acceso.

Nota: il dispositivo non deve essere spento durante la ricarica.

Pulizia/Sospensione

Dopo aver acceso il dispositivo, premere il pulsante  sul robot o utilizzare l'app per dispositivi mobili per avviare il processo di pulizia.


(Premere un qualsiasi pulsante durante il ciclo di pulizia per sospenderlo)

Note:

- I robot aspirapolvere e lavapavimenti non possono essere utilizzati per pulire liquidi.
- Se il livello della batteria è inferiore al 20%, il dispositivo non sarà in grado di eseguire le attività di pulizia. Caricare il dispositivo prima di tentare di effettuare la pulizia.
- e il livello della batteria si abbassa al di sotto del 20%, durante il ciclo di pulizia, il dispositivo tornerà automaticamente alla base di ricarica. Quando la batteria avrà raggiunto l'80% di carica, il dispositivo tenterà di riprendere il ciclo da dove si è interrotto.
- Rimuovere tutti i cavi (incluso il cavo di alimentazione della base di ricarica) da terra prima della pulizia. Così facendo, il dispositivo non causerà blackout o danni a oggetti o cavi dovuti al loro trascinarsi.

Carica

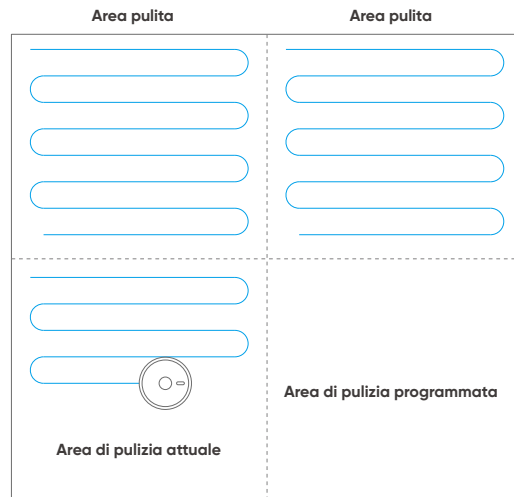
Automatica: al termine del ciclo di pulizia, il dispositivo tornerà automaticamente alla base di ricarica.

Manuale: quando il dispositivo è in pausa, premere il pulsante  o utilizzare l'app per dispositivi mobili per avviare il processo di ricarica.

Note: se il dispositivo non trova la base di ricarica, tornerà alla sua posizione iniziale. Occorrerà posizionare manualmente il dispositivo sulla base di ricarica.

Pulizia automatica

All'avvio del ciclo di pulizia, il dispositivo scansiona l'area, genera una mappa e la divide in maniera intelligente in diverse zone. Il dispositivo pulisce ciascuna zona dapprima lungo le pareti, poi le parti restanti formando una sorta di arco. Le singole zone vengono pulite a una a una in modo ordinato, efficiente e approfondito. Al termine del processo di pulizia, il dispositivo tornerà automaticamente alla base di ricarica.



Note:


Non muovere il dispositivo in maniera arbitraria o frequentemente durante l'utilizzo. Dopo aver spostato il dispositivo, collocarlo in prossimità della sua posizione originaria. Una volta riavviato, il dispositivo tenterà di riposizionare le sue coordinate iniziali. Se il posizionamento va a buon fine, il dispositivo proseguirà lungo il percorso programmato. In caso contrario, il dispositivo abbandonerà la sua attività precedente e tenterà di generare una nuova mappa per riavviare il processo di pulizia. In tale circostanza, il dispositivo potrebbe non riuscire a effettuare la ricarica.

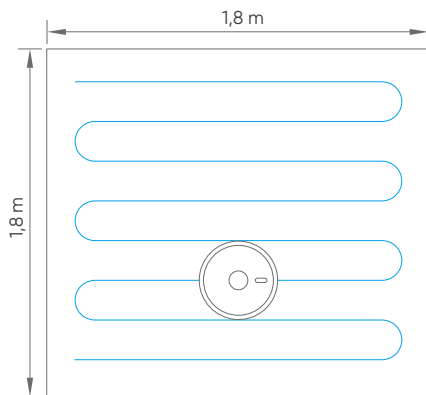
Utilizzo

Smacchiatura

Se si desidera pulire a fondo una certa area, specificarne la posizione sull'app per dispositivi mobili. Il dispositivo si centererà e pulirà un'area pari a 1,5 m per 1,5 m intorno a se stesso due volte.

Pulizia parziale

Qualora non si riesca a comandare il dispositivo dall'app per dispositivi mobili, spostarlo manualmente nell'area da pulire e tenere premuto il pulsante  per 3 secondi. Il dispositivo si centererà e pulirà un'area pari a 1,8 m per 1,8 m intorno a se stesso una volta.



Area personalizzata

Utilizzare l'app per dispositivi mobili per impostare la superficie e la posizione delle aree da pulire.

Area ad accesso limitato

Utilizzare l'app per dispositivi mobili per definire una o più aree ad accesso limitato. Il dispositivo non cercherà di accedere alle suddette aree, né di pulirle.

Note:

- È possibile che il dispositivo entri in aree ad accesso limitato per motivi quali errori di posizionamento o guasti dei sensori.
- È possibile che le aree ad accesso limitato permanente diventino invalide qualora si apportino modifiche significative alla posizione dei mobili e della base di ricarica. Non spostare il dispositivo, né interferire con l'apparecchio mentre è in funzione.
- Se si genera una nuova mappa, tutte le aree ad accesso limitato permanente verranno rimosse.

Pulizia programmata

Utilizzare l'app per dispositivi mobili per impostare gli orari in cui effettuare la pulizia programmata. Il dispositivo avvierà automaticamente la pulizia agli orari programmati per poi tornare alla base di ricarica al termine dell'attività.

Aspirazione

Utilizzare l'app per dispositivi mobili per selezionare una modalità di aspirazione tra Silenzioso, Normale, Turbo e Max. La modalità predefinita è Standard.

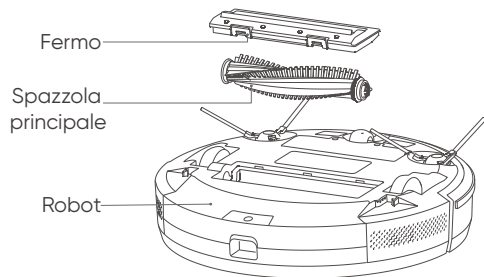
Livello dell'acqua

Utilizzare l'app per dispositivi mobili per selezionare una modalità di pulizia tra A secco, Ad acqua (getto minimo), Ad acqua (getto medio) e Ad acqua (getto forte). La modalità predefinita è Ad acqua (getto forte).

Manutenzione ordinaria

Spazzola principale

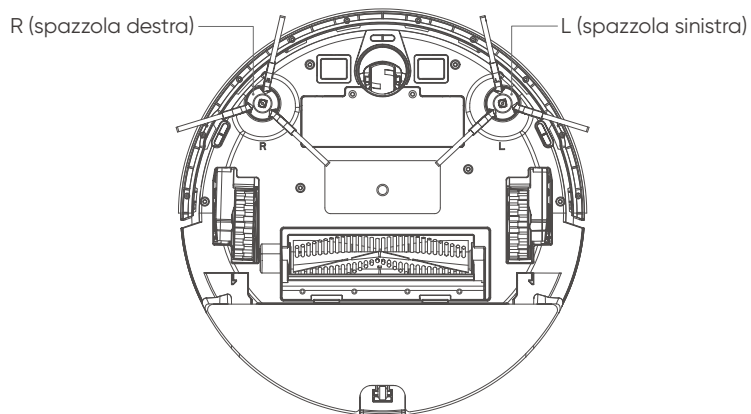
1. Capovolgere il dispositivo e premere il fermo sul coperchio della spazzola principale per estrarla.
2. Utilizzare l'apposito strumento per pulire la spazzola principale, rimuovendo la polvere bloccata tra le sue cavità e i corpi estranei rimasti impigliati.
3. Reinstallare la spazzola principale, premere il coperchio e chiudere il fermo.



Spazzola laterale

1. Capovolgere il dispositivo ed estrarre verticalmente la spazzola laterale.
2. Reinstallare la spazzola dopo aver rimosso tutto lo sporco e i capelli eventualmente impigliatisi.
3. Allineare la spazzola destra e sinistra ai contrassegni corrispondenti sul coperchio inferiore, quindi premere per installarle.

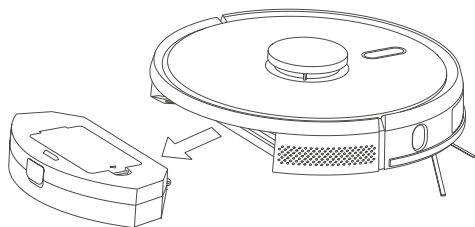
Nota: si consiglia di sostituire la spazzola laterale una volta ogni 3-6 mesi per ottenere prestazioni ottimali.



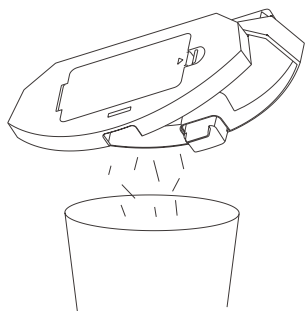
Manutenzione ordinaria

Vaschetta raccogli polvere

1. Tenere premuto il pulsante della vaschetta raccogli polvere, quindi tirarla indietro ed estrarla.

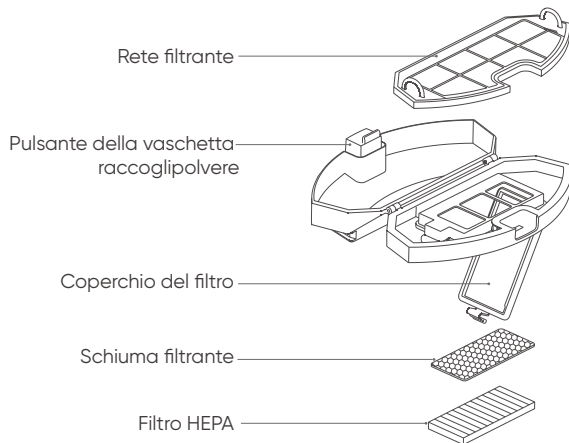


2. Aprire la vaschetta raccogli polvere e svuotarla nel cestino dell'immondizia.



Filtro

1. Dopo un prolungato periodo di utilizzo, rimuovere la rete filtrante, la schiuma filtrante e il filtro HEPA.
2. Risciacquare la rete e la schiuma filtrante, il filtro HEPA e la vaschetta raccogli polvere appena rimossi sotto l'acqua corrente.
3. Scrollare tutte le gocce d'acqua dopo il risciacquo, quindi attendere che i filtri e la vaschetta raccogli polvere siano completamente asciutti.
4. Dopo averli accuratamente lasciati asciugare, reinstallare i filtri nell'ordine seguente: rete filtrante > schiuma filtrante > filtro HEPA.



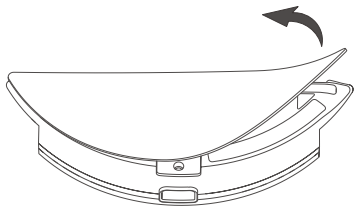
Note:

- Risciacquare con acqua pulita. Non aggiungere detersivi.
- Non usare spazzole o le dita della mano per pulire il filtro.
- Far asciugare completamente il filtro per almeno 24 ore.
- Si consiglia di sostituire il filtro ogni 3-6 mesi.

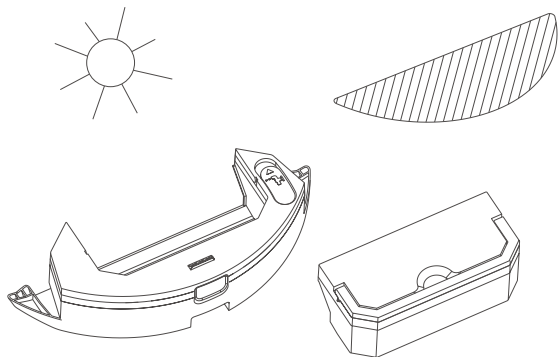
Manutenzione ordinaria

Serbatoio dell'acqua 2 in 1 estraibile (pulire dopo ogni utilizzo)

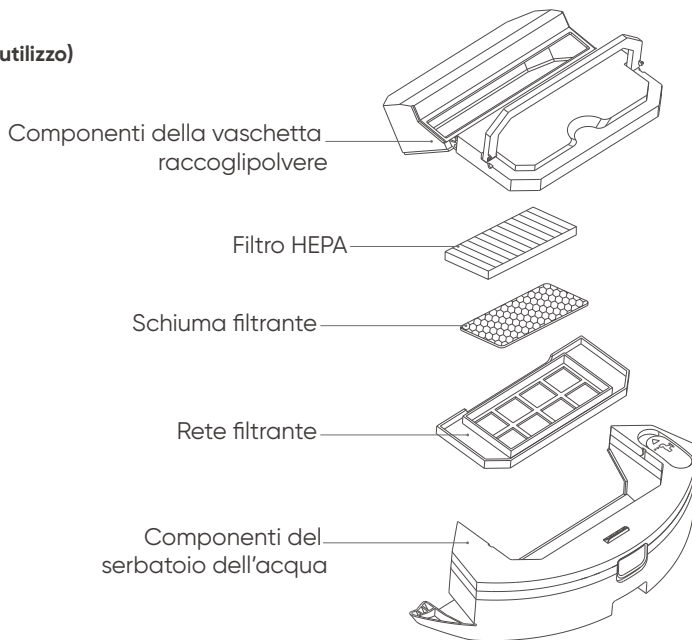
1. Rimuovere il panno e tutta l'acqua in eccesso dal serbatoio.



2. Lavare il panno e farlo asciugare assieme al serbatoio dell'acqua così che siano pronti per l'utilizzo successivo.



Sollevare la maniglia, estrarre la vaschetta raccogliipolvere dal serbatoio dell'acqua, rimuovere l'acqua in eccesso, quindi lasciare asciugare il serbatoio.



Batteria

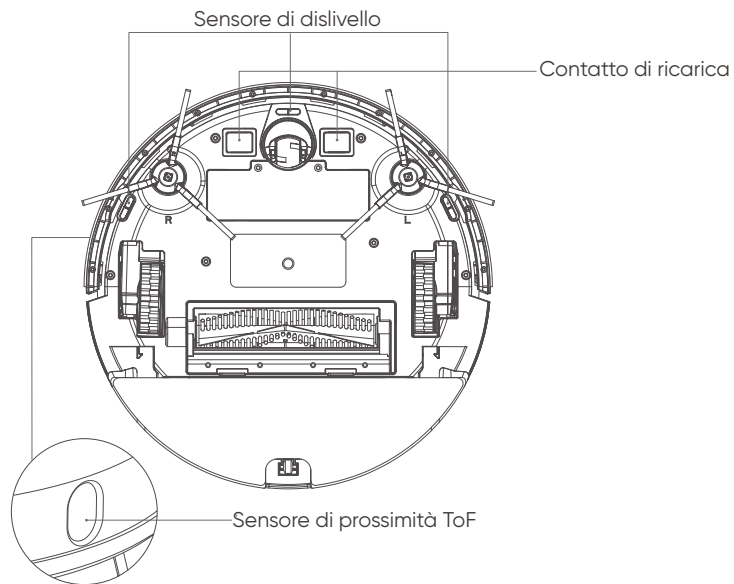
- Il corpo del dispositivo è dotato di un pacco batteria agli ioni di litio ad alte prestazioni. Mantenere il dispositivo carico per garantire prestazioni ottimali della batteria.
- Qualora non si intenda utilizzare il dispositivo per un periodo prolungato, spegnerlo e conservarlo in un luogo sicuro. Caricare il dispositivo almeno una volta ogni 3 mesi onde evitare danni alla batteria dovuti a un eccessivo scaricamento.

Manutenzione ordinaria

Sensori (pulire regolarmente)

Usare un panno morbido e asciutto per pulire tutti i sensori sul dispositivo, inclusi i seguenti:

1. Il sensore di prossimità ToF sul lato destro del robot
2. Il sensore anticaduta sulla parte inferiore del robot
3. Il sensore di rilevamento ostacoli sulla parte anteriore del robot
4. Il sensore di rilevamento collisione LiDAR sulla parte superiore del robot
5. Il contatto di ricarica sulla parte inferiore del robot e il ricevitore di alimentazione wireless sulla base di ricarica (scollegare il dispositivo dalla presa di corrente prima della pulizia)
6. L'emettitore della base di ricarica



Specifiche

Robot

Nome del prodotto	realme TechLife Robot Vacuum
Modello	RMH2101
Dimensioni	350 x 350 x 100 mm
Peso	3,3 kg
Batteria	Batteria al litio da 5.200 mAh
Tensione nominale	14,4 V
Potenza nominale	50 W

Base di ricarica

Modello	RMH2101CB
Dimensioni	160 x 143 x 80 mm
Potenza nominale	20 W
Uscita nominale	20 W

Risoluzione dei problemi

Messaggio d'errore	Soluzione
Errore 1: Sembra che la vaschetta raccoglipolvere non sia stata inserita.	Il dispositivo è stato avviato senza la vaschetta raccoglipolvere inserita. Reinserire la vaschetta raccoglipolvere.
Errore 2: Sembra che il radar superiore sia ostruito o bloccato.	Il radar superiore è stato coperto o si trova in un'area all'aperto. Rimuovere la copertura dal radar superiore o spostare il dispositivo al chiuso.
Errore 3: Spostami in un altro punto e riavvia.	Il dispositivo si trova attualmente a mezz'aria. Spostare il dispositivo su una superficie piana e riavviarlo.
Errore 4: Pulire il sensore di dislivello, spostami in un altro punto e riavvia.	Il sensore di dislivello è ostruito o si trova in una posizione sopraelevata. Pulire la finestrina del sensore di dislivello con un panno morbido e asciutto, posizionare il dispositivo a terra e riavviarlo.
Errore 5: Pulire il sensore anteriore, spostami in un altro punto e riavvia.	Il sensore di rilevamento ostacoli è sporco o presenta un'ostruzione. Pulire il sensore di rilevamento ostacoli usando un panno morbido e asciutto.
Errore 6: Pulire il sensore destro, spostami in un altro punto e riavvia.	Il sensore di prossimità ToF è sporco oppure è ostruito. Passare un panno morbido e asciutto sul sensore di prossimità ToF.
Errore 7: Pulire il coperchio del radar superiore, spostare il dispositivo in un altro punto e riavviarlo.	Il sensore di rilevamento collisione LiDAR è sporco o presenta un'ostruzione. Pulire la parte superiore del sensore di rilevamento collisione LiDAR usando un panno morbido e asciutto.
Errore 8: Sembra che il paraurti sia bloccato.	Il sensore di rilevamento bordi o paraurti è bloccato. Muovere il paraurti anteriore a destra e a sinistra per verificare che non si sia inceppato.
Errore 9: Pulire la vaschetta raccoglipolvere e il filtro.	Pulire la vaschetta raccoglipolvere e il filtro, oppure sostituire il filtro.
Errore 10: La vaschetta raccoglipolvere è stata rimossa. Pulire la vaschetta raccoglipolvere e il filtro.	Pulire la vaschetta raccoglipolvere e il filtro, oppure sostituire il filtro.
Errore 11: Sono bloccato! Aiutami!	Spostare il dispositivo su una superficie piana e riavviarlo.

Risoluzione dei problemi

Messaggio d'errore	Soluzione
Errore 12: Raddrizzami.	Il dispositivo è in pendenza. Spostare il dispositivo su una superficie piana e riavviarlo.
Errore 13: Sembra che le gomme siano bloccate.	La ruota principale si è impigliata o è bloccata. Controllare la ruota principale e rimuovere eventuali corpi estranei.
Errore 14: Sembra che la spazzola principale sia bloccata.	La spazzola principale si è impigliata o è bloccata. Controllare la spazzola principale e rimuovere eventuali corpi estranei.
Errore 15: Sembra che la spazzola laterale sia bloccata.	La spazzola laterale si è impigliata o è bloccata. Controllarla e rimuovere eventuali corpi estranei.
Errore 16: Accidenti! Dov'è la base di ricarica?	Se il dispositivo segnala che la base di ricarica non è stata trovata o non è collegata, verificare che l'indicatore sulla base di ricarica sia acceso, oppure spostare di nuovo il dispositivo verso la base.
Errore 17: Oh no! Si è verificato un errore del programma. Riavviami!	Errore causato da un problema sconosciuto. Riavviare il dispositivo.
Errore 18: Un errore ha causato l'arresto automatico del dispositivo.	Riavviare il dispositivo. Se il problema persiste, contattare il servizio di assistenza post-vendita.
Errore 19: La batteria è scarica e deve essere caricata.	Posizionare il dispositivo sulla base di ricarica.
Errore 20: Per spegnere il dispositivo, allontanarlo dalla base di ricarica e riprovare.	Il dispositivo non può essere spento quando si trova sulla base di ricarica. Allontanarlo dalla base di ricarica, quindi tenere premuto il pulsante di accensione.

Problemi comuni

Tipo di problema	Soluzione
Impossibile avviare il dispositivo	<ul style="list-style-type: none">• La batteria è scarica. Posizionare il prodotto sulla base di ricarica e allinearla al ricevitore di alimentazione wireless. Il dispositivo dovrebbe accendersi automaticamente. Se il dispositivo era scarico, potrebbe richiedere un po' di tempo per accendersi.• La temperatura ambiente supera il normale intervallo di esercizio di 0-40 °C. Utilizzare il prodotto solo in ambienti con temperatura compresa nel suddetto intervallo.
Impossibile caricare il dispositivo	<ul style="list-style-type: none">• Rimuovere il dispositivo e verificare che l'indicatore sulla base di ricarica sia acceso. Assicurarsi che entrambe le estremità dell'adattatore della base di ricarica siano collegate, che la parte anteriore del dispositivo sia rivolta verso la base di ricarica e che tra la parte anteriore del dispositivo e la base di ricarica vi sia una distanza di circa 2 cm.• La connessione potrebbe essere scarsa. Pulire i contatti di ricarica sul ricevitore di alimentazione wireless e sul corpo del dispositivo, oppure rimuovere le spazzole laterali.• Caricare il dispositivo a una temperatura ambiente compresa tra 0 e 40 °C.
Impossibile ricaricare il dispositivo	Il dispositivo è troppo lontano dalla base di ricarica. Avvicinarlo e riprovare.
Rumori anomali durante l'utilizzo	Un corpo estraneo potrebbe essersi impigliato alla spazzola principale, alle spazzole laterali o alle ruote. Spegnerne il dispositivo e pulirlo.
Prestazioni ridotte o fuoriuscita di polvere	<ul style="list-style-type: none">• La vaschetta raccogli-polvere è piena e deve essere pulita.• Il filtro è ostruito e deve essere pulito o sostituito.• La spazzola principale si è impigliata a un corpo estraneo e deve essere pulita.
Impossibile connettersi alla rete Wi-Fi	<ul style="list-style-type: none">• Il segnale Wi-Fi è debole. Assicurarsi che il dispositivo si trovi in un'area con una buona copertura della rete Wi-Fi.• Si è verificato un errore della connessione alla rete Wi-Fi. Ripristinare la connessione Wi-Fi, eseguire il download dell'ultima versione del client mobile e riprovare.• La password immessa è errata.• Il router sta eseguendo su una rete 5 GHz. Questo prodotto supporta solo una connessione a reti 2,4 GHz.
Consumo di batteria quando il dispositivo si trova sulla base di ricarica	Quando il dispositivo si trova sulla base di ricarica, consumerà una piccola quantità di energia per garantire una prestazione ottimale della batteria.

Scansionare il codice QR per un ulteriore aiuto



Veiligheidsinformatie

Gebruiksbeperkingen

- Dit product wordt alleen gebruikt voor het schoonmaken van de vloer in een huiselijke omgeving en kan niet buiten worden gebruikt (zoals op een open terras), voor andere oppervlakken (zoals een sofa) en in een commerciële of industriële omgeving.
- Het product niet gebruiken op hoger gelegen plaatsen (zoals een penthouse, open terras of bovenop meubels) zonder afscherming.
- Het product niet gebruiken bij temperaturen boven 40°C of onder 0°C of wanneer er zich vloeistoffen of kleverige stoffen op de grond bevinden.
- Hang kabels op de grond vóór gebruik om te vermijden dat ze door de robot worden meegesleept.
- Haal breekbare voorwerpen en afval (zoals een vaas en een plastic zak, enz.) van de grond om beschadiging van waardevolle zaken te vermijden wanneer de robot vast komt te zitten of zich stoot.
- Dit apparaat mag worden gebruikt door kinderen vanaf 8 jaar en door volwassenen met beperkte fysieke, motorische of mentale mogelijkheden of een gebrek aan ervaring en kennis, als ze onder toezicht staan of aanwijzingen hebben gekregen met betrekking tot het veilig gebruiken van het apparaat en de verbonden gevaren begrijpen. Kleine kinderen mogen niet met het apparaat spelen. Schoonmaken en onderhoud mag niet worden uitgevoerd door kinderen zonder toezicht.
- Houd de hoofdborstel en andere schoonmaakmiddelen buiten het bereik van kinderen.
- Plaats geen voorwerpen (met inbegrip van kinderen en huisdieren) op een stilstaande of bewegende machine.
- Houd haar, vingers en andere lichaamsdelen of huisdieren uit de buurt van de aanzuig wanneer de machine in werking is.
- Gebruik het product niet om brandende voorwerpen weg te vegen (zoals brandende sigarettenpeuken).
- Gebruik het product niet om langharige tapijten schoon te maken (sommige donkere tapijten kunnen mogelijk niet normaal worden schoongemaakt).
- Voorkom dat de robot harde of scherpe voorwerpen opzuigt (zoals decoratie, glas en ijzeren nagels, enz.).
- Verplaats de machine niet door te trekken aan het beschermend deksel van LiDAR en de bumper.
- Reinig of onderhoud de robot en het laadstation als deze zijn afgeschakeld of zonder spanning staan.
- Veeg geen enkel deel van het product af met een natte doek of vloeistof.
- Gebruik het product overeenkomstig de gebruikershandleiding. De gebruiker is verantwoordelijk voor schade en letsels die worden veroorzaakt door ongepast gebruik.
- Gebruik de veegfunctie niet voor tapijten en oppervlakken van meubels.
- Zorg ervoor dat de watertank is verwijderd wanneer de machine wordt opgeladen.

Veiligheidsinformatie

1. Het apparaat mag alleen worden gebruikt met de voeding die bij het apparaat werd geleverd.
2. De adapter moet uit het stopcontact worden gehaald vóór het schoonmaken of onderhouden van het apparaat.
3. Dit apparaat bevat batterijen die alleen door opgeleide personen vervangen mogen worden.
4. De batterij moet uit het apparaat worden verwijderd voordat het wordt gesloopt.
5. Het apparaat moet van de voeding worden afgekoppeld wanneer de batterij verwijderd wordt.
6. De batterij moet veilig worden verwijderd.
7. WAARSCHUWING: Gebruik alleen de verwijderbare voedingseenheid die bij dit apparaat werd geleverd voor het opladen van de batterij.

Soort stekker	Model	Ingang	Uitgang
EU	GA241-2001000E	100-240VAC 50/60Hz 0,6A	20V1A
UK	GA241-2001000B	100-240VAC 50/60Hz 0,6A	20V1A
USA	GA241-2001000U	100-240VAC 50/60Hz 0,6A	20V1A
Indian	GA241-2001000I	100-240VAC 50/60Hz 0,6A	20V1A

Batterij en opladen

- Gebruik geen batterij, laadstation of lader van een derde partij.
- De batterij of het laadstation niet willekeurig ontmantelen, opnieuw aansluiten of vervangen.
- Houd het laadstation uit de buurt van warmtebronnen (zoals een verwarmingsplaat).
- Geen onderdelen van het laadstation afvegen of schoonmaken met een natte doek of natte handen.
- Gooi gebruikte batterijen niet willekeurig weg. Gebruikte batterijen moeten door een professionele recyclingfirma worden ingezameld.
- Als het netsnoer is beschadigd of gebroken, stop dan onmiddellijk met het gebruik en laat het vervangen via de officiële kanalen.
- Zorg ervoor dat de robot is uitgeschakeld tijdens transport en dat het product in de originele verpakking wordt getransporteerd.
- Als het apparaat gedurende lange tijd niet wordt gebruikt, moet het volledig worden opgeladen en op een koele en droge plaats worden gezet. Laad het apparaat minstens elke 3 maanden op om beschadiging van de batterijen omwille van te grote mate van ontlading te vermijden.

Veiligheidsinformatie

Instructies voor verwijdering

- De volgende informatie geldt alleen voor het verwijderen van het product, niet voor het dagelijks gebruik.
- De chemische stoffen die in de batterij van de robot zitten, vervuilen het milieu. Haal de batterij uit de robot vóór het verwijderen van het product en breng het naar een professioneel inzamelpunt. De batterij mag alleen worden verwijderd als deze volledig is opgebruikt. Laat de batterij nooit in contact komen met metalen voorwerpen.
- De batterij verwijderen:
 1. Zorg ervoor dat de robot het laadstation niet raakt en houd het product in werking tot de batterij volledig leeg is en het product uitschakelt.
 2. Draai de schroeven uit het deksel van het batterijcompartiment.
 3. Verwijder het deksel van het batterijcompartiment, trek de batterijstekker uit en verwijder daarna de batterij.

Veiligheidsinformatie van de laser

- LiDAR van het product is conform de norm voor klasse 1 laserproducten van IEC60825 en produceert geen gevaarlijke laserstraling.
- Laserklasse IEC-60825 Klasse 1
- Het maximale uitgangsvermogen van de laser van het product is 10mW
- Pulstijd van de laserkop (1/2300s)
- Onzichtbare laserstraling
- Blootstelling aan laserenergie in de buurt van de opening kan brandwonden veroorzaken.
- Norm: IEC 60825-1:2014

Frequentie	2,4Ghz~2,4835Ghz
Vermogen	≤17dBm

Waarschuwing



Dit symbool betekent dat uw product en/of de batterij, overeenkomstig de lokale wetten en regelgeving, gescheiden van huishoudelijk afval verwijderd moet worden. Wanneer dit product aan het einde van zijn levensduur is gekomen, heeft de gebruiker de keuze om dit product bij een competent recyclingbedrijf binnen te brengen. Een gepaste recycling van uw product zal de volksgezondheid en het milieu beschermen.



Alleen voor gebruik binnen

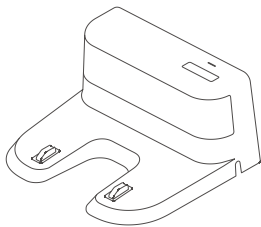
Waarschuwing betreffende de batterij

1. In dit product is een lithiumbatterij ingebouwd. Deze mag niet worden ontmanteld, gestoten, geforceerd verwijderd of niet worden blootgesteld aan vuur.
2. Een batterij die wordt blootgesteld aan extreem lage luchtdruk, kan ontploffen of brandbare vloeistof of gas lekken.
3. Plaats de batterij niet in een omgeving met hoge temperatuur of stel de batterij niet bloot aan de zon; dit kan de batterij laten ontploffen.
4. Stop met het gebruiken van het product als de batterij opgezwollen lijkt.
5. Verwijder de batterij overeenkomstig de lokale regelgeving. De batterij niet verwijderen met huishoudelijk afval.
6. Probeer de batterij niet te repareren, ontmantelen of aan te passen. De batterij vervangen door een fout type kan een ontploffing veroorzaken.
7. Voer geen druk uit op de batterij of doorboor de batterij niet met harde voorwerpen. De batterij beschadigen kan ervoor zorgen, kan lekken van de batterij, oververhitting of brand veroorzaken.

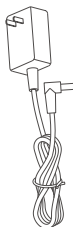
Hierbij verklaart realme dat dit apparaat conform de essentiële vereisten en andere relevante voorwaarden van de richtlijn voor radioapparatuur 2014/53/EU is. De conformiteitsverklaring kan worden bekeken op www.realme.com/global/support/declaration.

Inleiding tot het product

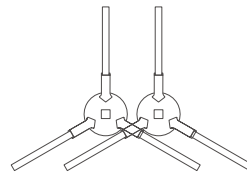
Omvang van levering



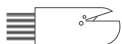
Laadstation x1



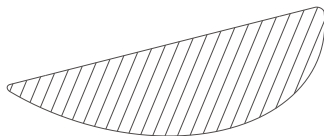
Adapter x1



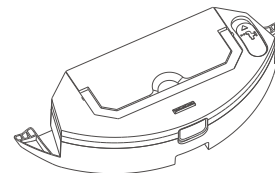
L Zijborstel x1
R Zijborstel x1



Schoonmaakborstel x1



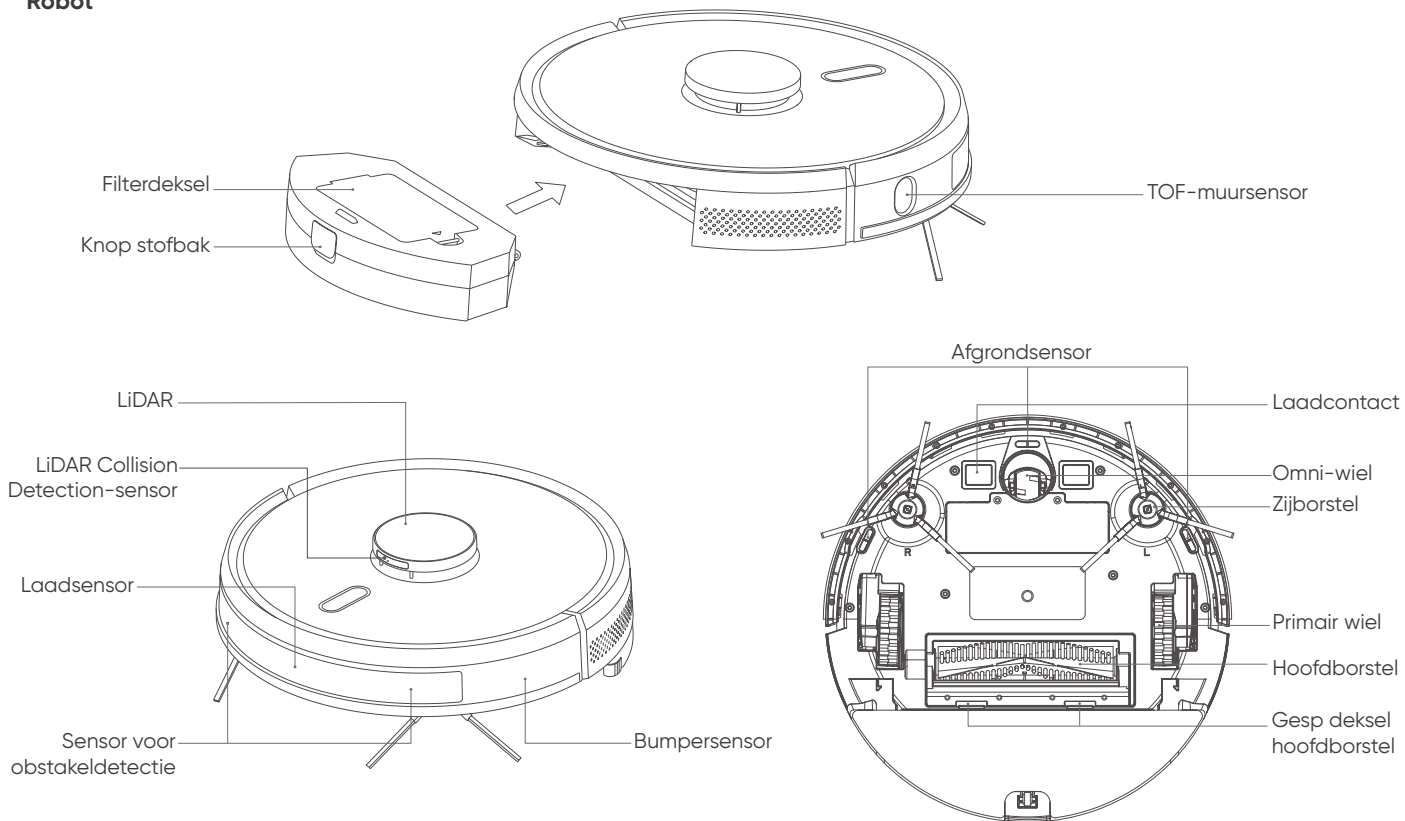
Afwasbaar dweilpad x 2 (Optioneel)
Wegwerpbaar dweilpad x 10 (Optioneel)



Verwijderbare 2-in-1 watertank (Optioneel)

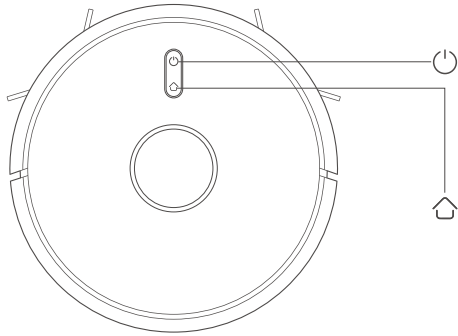
Inleiding tot het product

Robot



Inleiding tot het product

Robot



Aan/Uit/Schoonmaken/Pauzeren

- Druk om het schoonmaken te starten/pauzeren
- Houd de knop 3 seconden ingedrukt om het apparaat aan/uit te schakelen
- Als er zich een fout heeft voorgedaan, houd u de knop 15 seconden ingedrukt om het apparaat geforceerd uit te schakelen

Opladen/Gedeeltelijk schoonmaken/Pauzeren

- Druk om op te laden/te pauzeren
- Houd ingedrukt om gedeeltelijk schoonmaken te beginnen

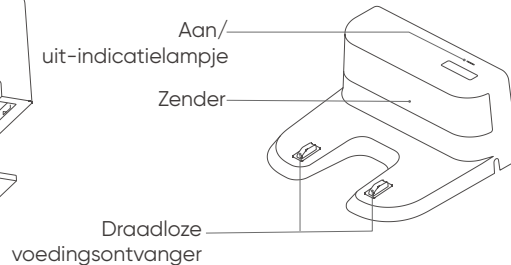
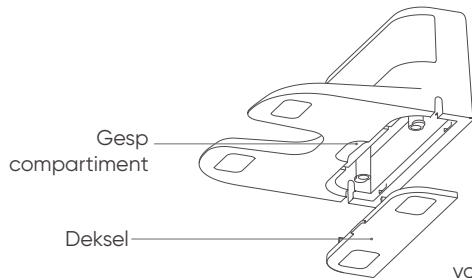
Indicatielampje

- Wit: Verboden met Wi-Fi
- Oranje: Niet verbonden met Wi-Fi
- Rood: Fout of batterijniveau laag

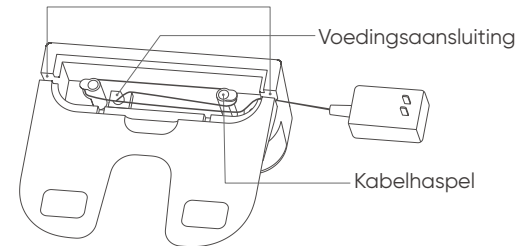
Reset Wi-Fi

- Houd beide knoppen 3 seconden ingedrukt

Laadstation

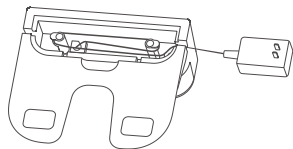


Extern kabelcompartiment

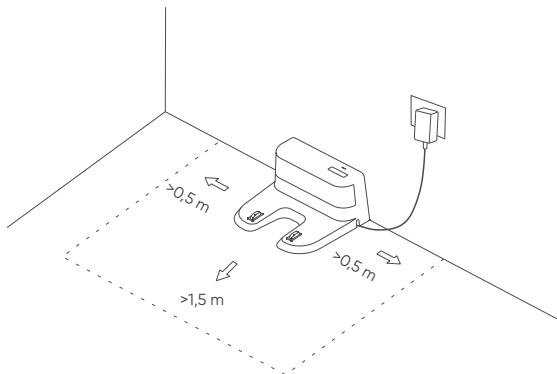


Installatie

1. Sluit het netsnoer aan en berg de overschot van het snoer op in het kabelcompartment.



2. Plaats het laadstation tegen de muur op een vlak oppervlak en sluit het aan op een stroomtoevoer.

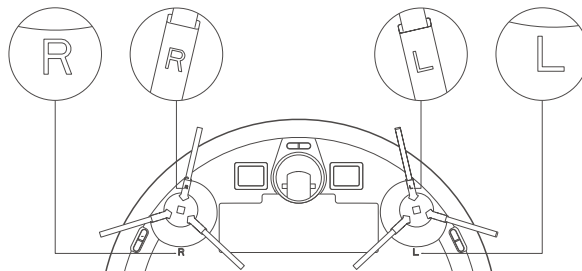


Opmerking:

- Zorg ervoor dat het laadstation een vrije ruimte van minimaal 0,5 m heeft aan beide kanten en 1,5 m vooraan.
- Houd het netsnoer van de grond tijdens installatie. Als het netsnoer op de grond ligt, kan dit door het apparaat worden meegesleept waardoor het laadstation zal uitschakelen.
- Het laadindicatielampje zal blijven branden zo lang er voeding is.

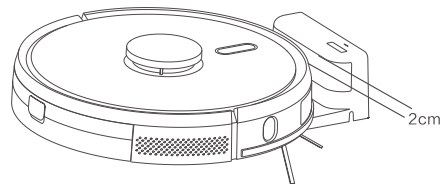
3. De zijborstels installeren

Lijn de linker en rechter borstels uit met de overeenstemmende markeringen op het onderste deksel. Druk tot u een klik hoort, die aangeeft dat het plaatsen gelukt is.



4. Inschakelen en opladen

Houd de knop  op het apparaat ingedrukt. Wacht tot het indicatielampje brandt en plaats het apparaat daarna op het laadstation.

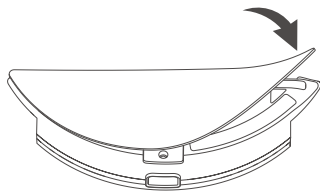


Opmerking: Het apparaat kan niet worden gestart als het batterijniveau onvoldoende is. Plaats het apparaat op het laadstation en het zal automatisch inschakelen als het batterijniveau voldoende hoog is. Het apparaat kan normaal alleen werken als de batterij $\geq 20\%$ is opgeladen. De voorkant van het apparaat moet naar het laadstation gericht zijn, zoals wordt weergegeven op de afbeelding, zodat het laadcontact van de robot de draadloze voedingsontvanger raakt. De afstand tussen de voorkant van het apparaat en het laadstation moet ongeveer 2 cm zijn.

Dweilset

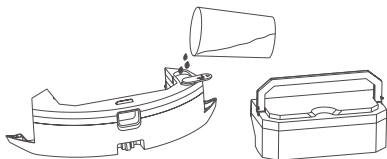
1. Installeer de verwijderbare 2-in-1 watertank

- ① De dweil installeren: Bevestig de dweil moeiteloos aan de onderkant van de watertank.



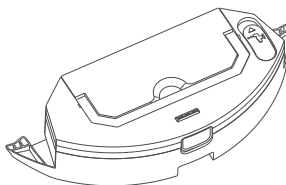
Opmerking: Maak de dweil schoon na elk gebruik om te zorgen voor optimale prestaties.

- ② De tank met water vullen: Open het deksel, vul de tank met water en zet daarna het deksel vast.

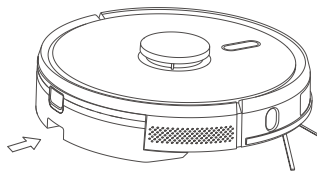


Opmerking: Het wordt aanbevolen om de stofbak te verwijderen vóór het vullen van de watertank. Dit zorgt ervoor dat er geen water in de stofbak komt. Til de hendel op, haal de stofbak uit de watertank, vul de tank met water en zet daarna het deksel vast.

- ③ De watertank installeren.



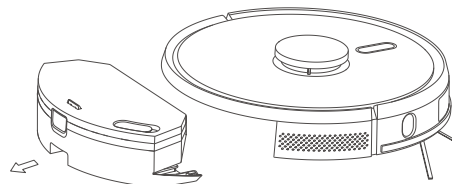
Plaats de stofbak in de waterbak en zorg ervoor dat de handgreep plat ligt.



Houd de knop op het midden van de watertank ingedrukt en duw deze daarna horizontaal langs de achterkant van de behuizing van het apparaat. U zal een klik horen als het plaatsn is gelukt.

2. Verwijder de verwijderbare 2-in-1 watertank

Als het apparaat klaar is met schoonmaken, houd de knop op het midden van de watertank dan ingedrukt, verwijder de tank door deze achteruit te trekken, giet het resterende water uit de tank en maak de dweil schoon (het apparaat niet bewegen of omdraaien terwijl het aan het schoonmaken is).



3. Gebruik

- ① Gebruik de watertank niet als er niemand thuis is.
- ② Verwijder, om de veiligheid te verzekeren, de watertank wanneer deze niet in gebruik is en het apparaat wordt opgeladen.
- ③ Gebruik de dweilfunctie niet op tapijten. Voorkom dat het toestel zich beweegt naar plaatsen met tapijten aan de hand van de functie beperkt gebied op de mobiele app.
- ④ Om te zorgen voor optimale dweilprestaties, gebruikt u het apparaat om het gebied drie keer schoon te maken voordat u de dweilmodule installeert.
- ⑤ Als u tijdens het schoonmaken water moet toevoegen of de dweil moet schoonmaken, pauzeert u het apparaat en volgt u bovenstaande stappen. Verplaats of draai de behuizing van het apparaat niet om slechte positionering en verlies van de kaart te vermijden.
- ⑥ De dweilfunctie van het apparaat kan oppervlakken dweilen om te helpen bij grondig schoonmaken, maar het kan hardnekkige vlekken niet effectief verwijderen, zoals een mens dat zou doen.

Maak verbinding met realme Link

App downloaden

Methode 1: Open uw app store en download de realme Link-app.

Methode 2: Scan de onderstaande QR-code.





Apparaat toevoegen

Open de mobiele app en druk op de knop + op de startpagina om de pagina voor apparaatselectie te openen. Selecteer Schoonmaakrobot en voeg daarna het apparaat toe aan uw app door de aanwijzingen te volgen.

Firmware-upgrade

Open de mobiele app en ga naar de pagina om de firmware te upgraden, wacht tot de app de nieuwe firmware detecteert en volg de aanwijzingen. De batterij moet $\geq 50\%$ zijn opgeladen om een firmware-upgrade uit te voeren. Het wordt aanbevolen om het apparaat op het laadstation te plaatsen tijdens een firmware-upgrade.

Reset Wi-Fi

Als uw telefoon geen verbinding meer kan maken met uw apparaat als gevolg van wijzigingen van de routerinstellingen, het wachtwoord of om andere redenen, houd de knoppen  en  dan samen gedurende 3 seconden ingedrukt. U zou "Wi-Fi is gereset" moeten horen.



Gebruik

Aan/Uit

Houd de knop  gedurende 3 seconden ingedrukt. Het indicatielampje zou moeten gaan branden om aan te geven dat het apparaat is ingeschakeld.

Opmerking: Het apparaat kan niet worden uitgeschakeld tijdens het opladen.

Schoonmaken/pauzeren

Druk na het inschakelen van het apparaat op de knop  button op de robot of gebruik de mobiele toepassing om het schoonmaken te beginnen.

(Druk tijdens het schoonmaken op om het even welke toets om te pauzeren)

Opmerking:

- Schoonmaakroboten kunnen worden gebruikt om vloeistoffen op te zuigen.
- Als het batterijniveau lager is dan 20%, kan het apparaat geen schoonmaaktaken uitvoeren. Laad het apparaat op voordat u probeert om schoon te maken.
- Als het batterijniveau tijdens het schoonmaken onder 20% zakt, keert het apparaat automatisch terug naar het laadstation. Zodra het batterijniveau 80% bereikt, probeert het apparaat verder te gaan waar de vorige sessie werd gestopt.
- Haal alle kabels (met inbegrip van het netsnoer van het laadstation) van de vloer vóór het schoonmaken. Dit zorgt ervoor dat het apparaat geen apparaten zonder spanning zet of geen schade veroorzaakt aan voorwerpen of kabels door deze mee te slepen.

Opladen

Automatisch: Als het apparaat klaar is met schoonmaken, zal het automatisch terugkeren naar het laadstation.

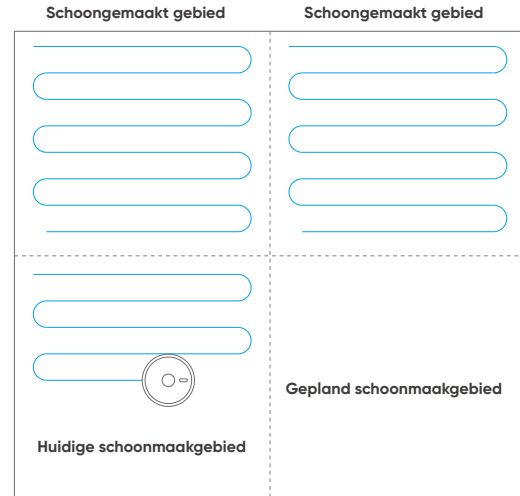
Handmatig: Druk, terwijl het apparaat gepauzeerd wordt, op de toets  key of gebruik de mobiele toepassing om het laadproces te starten.

Opmerking: Als het apparaat het laadstation niet kan vinden, keert het terug naar de beginpositie.

U zal het apparaat handmatig op het laadstation moeten plaatsen.

Automatisch schoonmaken

Als het schoonmaakproces begint, scant het apparaat het gebied, maakt het een kaart aan en verdeelt het de kaart daarna op een intelligente manier in zones. Het apparaat maakt eerst elke zone langs de muren schoon en maakt daarna de rest van de zone schoon in een boog. Elke zone wordt achter elkaar schoongemaakt, op een ordelijke, efficiënte en samenhangende manier. Zodra het schoonmaakproces is voltooid, keert het apparaat terug naar het laadstation.



Opmerking:


Het apparaat niet willekeurig of frequent verplaatsen tijdens bedrijf. Plaats het apparaat in de buurt van de originele locatie nadat u het hebt verplaatst. Zodra het opnieuw wordt opgestart, zal het apparaat proberen om de originele coördinaten terug te vinden. Als de positionering is gelukt, zal het apparaat verder gaan met het geplande traject. Als de positionering mislukt, zal het apparaat de vorige taak afbreken en proberen om een nieuwe kaart aan te maken om het reinigingsproces opnieuw te starten. In dit geval, kan het apparaat mogelijk niet worden opgeladen.

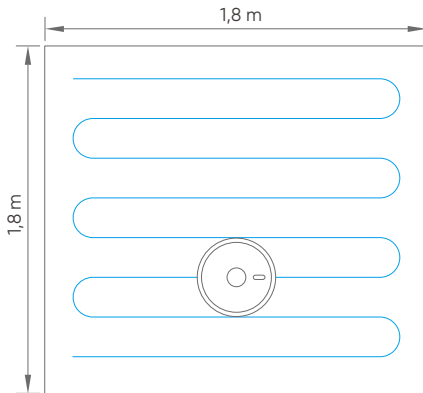
Gebruik

Grondig schoonmaken

Als u een bepaald gebied grondiger wilt schoonmaken, geef de locatie dan op in de mobiele app. Het apparaat zal zichzelf centreren en het gebied van 1,5 m x 1,5 m twee keer schoonmaken.

Gedeeltelijk schoonmaken

Als u het apparaat bedient via de mobiele app, verplaatst het dan handmatig naar het gebied dat schoongemaakt moet worden en houd de toets  3 seconden ingedrukt. Het apparaat zal zichzelf centreren en het gebied van 1,8 m x 1,8m er rond een keer schoonmaken.



Speciaal gebied

Gebruik de mobiele app om de omvang en de locaties in te stellen van het gebied(en) dat u wilt schoonmaken.

Beperkt gebied

Gebruik de mobiele app om een of meer beperkte gebieden op te geven. Het apparaat zal niet proberen om naar beperkte gebieden te gaan of ze schoon te maken.

Opmerking:

- **Het apparaat kan in gebieden met beperkte toegang terechtkomen omwille van positioneringsfouten of slecht werkende sensoren .**
- **Gebieden met permanent beperkte toegang kunnen ongeldig worden als er aanzienlijke wijzigingen zijn van de positie van meubilair en het laadstation. Verplaats of stoor het apparaat niet terwijl het in werking is.**
- **Een nieuwe kaart aanmaken zal alle gebieden met beperkte toegang verwijderen.**

Gepland schoonmaken

Gebruik de mobiele app om de geplande schoonmaaktijden in te stellen. Het apparaat zal automatisch beginnen met schoonmaken op de ingestelde tijden en daarna naar het laadstation terugkeren.

Aanzuig

Gebruik de mobiele app om te wisselen tussen de modi stil, standaard, sterk of ultra zuigkracht. De standaard modus is standaard.

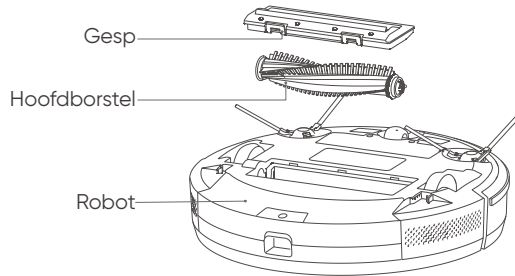
Waterpeil

Gebruik de mobiele app om te wisselen tussen de modi droog, gemiddeld of veel water. De standaard modus is veel.

Routine-onderhoud

Hoofdborstel

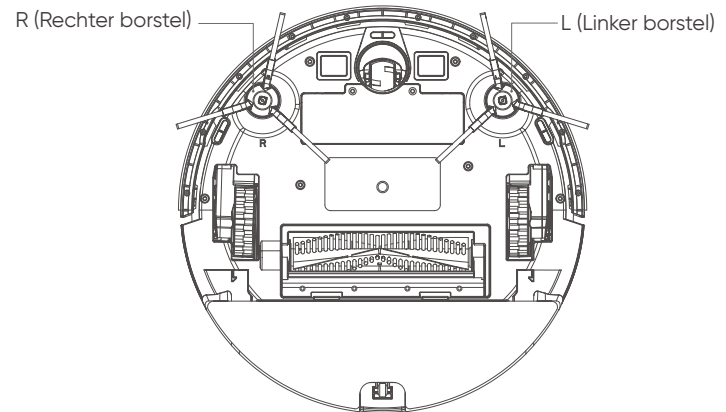
1. Draai het apparaat om en druk op de gesp op het deksel van de hoofdborstel om de hoofdborstel uit het apparaat te halen.
2. Gebruik het overeenstemmende hulpmiddel om de hoofdborstel schoon te maken, in de openingen van de hoofdborstel achtergebleven stof en verstrengelde voorwerpen te verwijderen.
3. Installeer de borstel opnieuw, druk het deksel van de hoofdborstel omlaag en zet de gesp vast.



Zijborstel

1. Draai het apparaat om en trek de zijborstel verticaal uit het apparaat.
2. Plaats de borstel opnieuw na het verwijderen van verstrengeld haar en vuil.
3. Lijn de linker en rechter borstels uit met de overeenstemmende markeringen op de onderkant van het deksel en druk omlaag om ze te installeren.

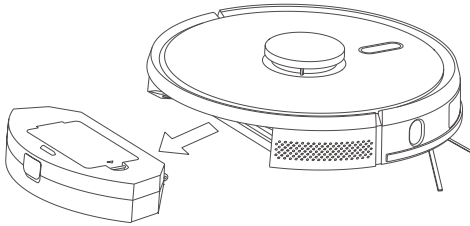
Opmerking: Het wordt aanbevolen om de zijborstel elke 3-6 maanden te vervangen, om optimale prestaties te verzekeren.



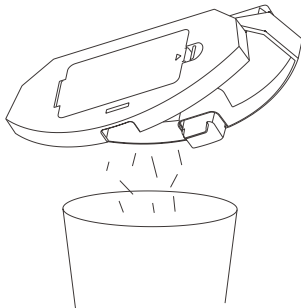
Routine-onderhoud

Stofbak

1. Houd de knop van de stofbak ingedrukt en trek aan de stofbak om deze uit het apparaat te halen.

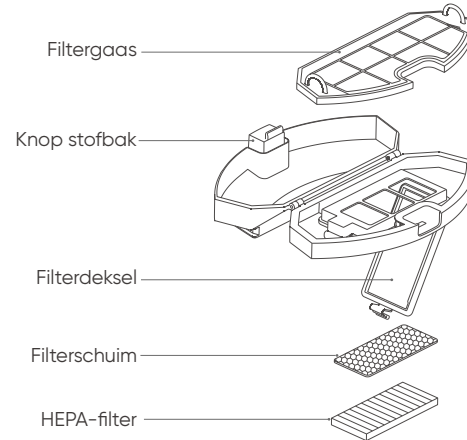


2. Open de stofbak en maak deze leeg.



Filter

1. Verwijder het filtergaas, het filterschuim en het HEPA-filter na een lange periode van inactiviteit.
2. Spoel het verwijderde filtergaas, filterschuim, HEPA-filter en de stofbak onder stromend water.
3. Schud de waterdruppels weg na het spoelen en wacht tot de filters en de stofbak volledig droog zijn.
4. Plaats, na grondige spoeling, de filters opnieuw in volgende volgorde: filtergaas > filterschuim > HEPA-filter.



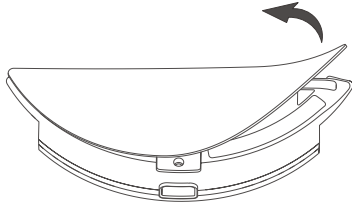
Opmerking:

- Spoelen met schoon water. Geen schoonmaakmiddelen toevoegen.
- Het filter niet schoonmaken met een borstel of uw vingers.
- Laat het filter minstens 24 uur drogen.
- Het wordt aanbevolen om het filter elke 3-6 maanden te vervangen.

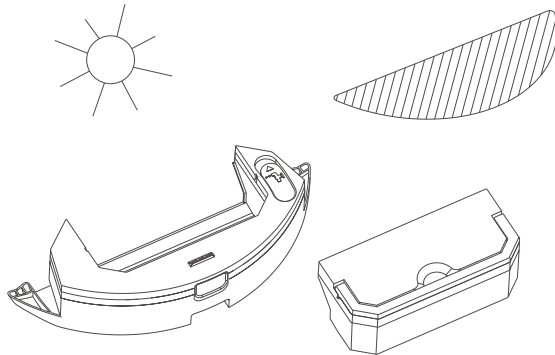
Routine-onderhoud

Verwijderbare 2-in-1 watertank (Schoonmaken na elk gebruik)

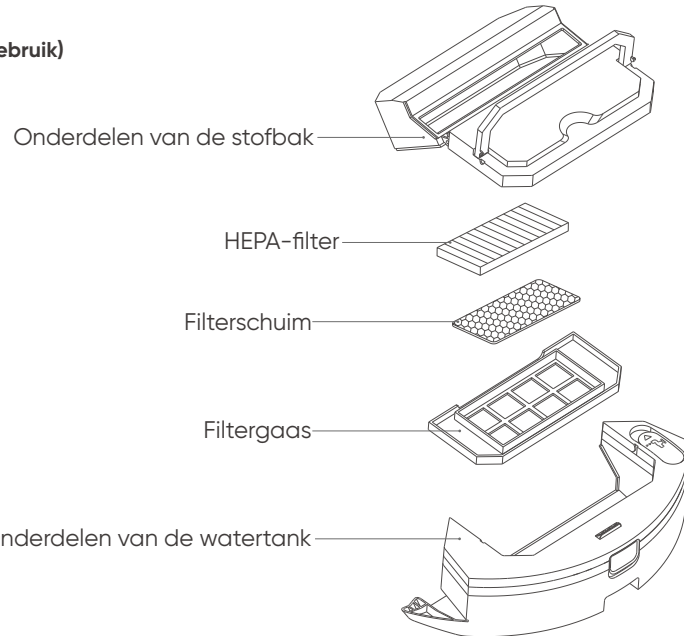
1. Verwijder de dweil en giet al het resterende water uit de tank.



2. Maak de dweil schoon en droog daarna de watertank en de dweil voor een volgend gebruik.



Til de handgreep op, haal de stofbak uit de watertank, giet overtollig water weg en droog de tank.



Batterij

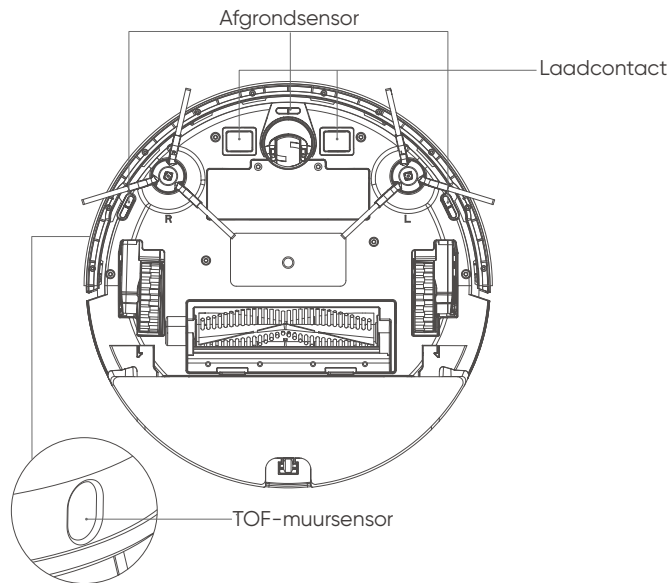
- De behuizing van het apparaat is uitgerust met een hoogwaardig lithium-ion batterijpakket. Houd het apparaat opgeladen om te zorgen voor optimale batterijprestaties.
- Als u van plan bent om het apparaat gedurende lange tijd niet te gebruiken, zet het dan uit en bewaar het op een veilige plaats. Laad het apparaat minstens eens per 3 maanden op om te ver ontladen en als gevolg daarvan beschadiging van de batterij te voorkomen.

Routine-onderhoud

Sensoren (Regelmatig schoonmaken)

Gebruik een zachte, droge doek op alle sensoren op het apparaat schoon te veegen, met inbegrip van de volgende:

1. De TOF-muursensor op de rechterkant van de robot
2. De afgrondsensoren op de onderkant van de robot
3. De sensor voor obstakeldetectie op de voorkant van de robot
4. The LiDAR Collision Detection-sensor op de bovenkant van de robot
5. Het laadcontact op de onderkant van de robot en de draadloze voedingsontvanger op het laadstation (zet de voeding uit vóór het schoonmaken)
6. De zender van het laadstation



Specificaties

Robot

Naam van het product	realme TechLife Robot Vacuum
Model	RMH2101
Afmetingen	350x350x100 mm
Gewicht	3,3 kg
Batterij	5200mAh Lithiumbatterij
Ingangsspanning	14,4V
Nominaal vermogen	50W

Laadstation

Model	RMH2101CB
Afmetingen	160x143x80 mm
Nominaal vermogen	20W
Nominale uitgang	20W

Probleemoplossing

Foutmelding	Oplossing
Fout 1: Het lijkt er op dat de stofbak ontbreekt.	Het apparaat werd gestart zonder een stofbak. Bevestig de stofbak opnieuw.
Fout 2: Het lijkt er op dat de bovenste radar wordt belemmerd of vast zit.	De bovenste radar is bedekt of is op een open gebied geplaatst. Verwijder het deksel van de bovenste radar of zet het apparaat binnen.
Fout 3: Zet met op een nieuwe locatie en start opnieuw op.	Het apparaat bevindt zich momenteel in de lucht. Zet het apparaat op een vlak oppervlak en start het opnieuw op.
Fout 4: Maak de afgrondsensoren schoon, verplaats met naar een nieuwe locatie en start opnieuw op.	De afgrondsensoren worden belemmerd of zijn op een verhoogde locatie geplaatst. Veeg het venster van de afgrondsensoren droog met een zachte, droge doek, zet het apparaat op grondniveau en start het opnieuw op.
Fout 5: Maak de sensor vooraan schoon, verplaats met naar een nieuwe locatie en start opnieuw op.	De sensor voor obstakeldetectie is vuil of wordt belemmerd. Veeg de sensor voor obstakeldetectie schoon met een zachte, droge doek.
Fout 6: Maak de sensor aan de rechterzijde schoon, breng me naar een nieuwe locatie en start daarna opnieuw op.	De TOF-muursensoren zijn vervuild of worden belemmerd. Veeg de TOF-muursensoren schoon met een zachte, droge doek.
Fout 7: Maak het deksel bovenaan de radar schoon, breng het product naar een nieuwe locatie en start het daarna opnieuw.	De LiDAR Collision Detection-sensoren zijn vuil of worden belemmerd. Veeg de bovenkant van de LiDAR Collision Detection-sensoren schoon met een zachte, droge doek.
Fout 8: Het lijkt er op dat de bumper vast zit.	De rand van de bumpersensoren zit vast. Beweeg de voorbumper naar links en naar rechts om te controleren of deze vast zit.
Fout 9: Maak de stofbak en het filter schoon.	Reinig de stofbak en het filter of vervang het filter.
Fout 10: De stofbak werd verwijderd. Maak de stofbak en het filter schoon.	Reinig de stofbak en het filter of vervang het filter.
Fout 11: Ik zit vast! Help me!	Verplaats het apparaat naar een vlak oppervlak en start het opnieuw op.

Probleemoplossing

Foutmelding	Oplossing
Fout 12: Zet me rechtop!	Het apparaat staat op een helling. Zet het apparaat op een vlak oppervlak en start het opnieuw op.
Fout 13: Het lijkt er op dat de banden vast zitten.	Het primaire wiel is verstrengeld geraakt of zit vast. Controleer het primaire wiel en verwijder vreemde voorwerpen.
Fout 14: Het lijkt er op dat de hoofdborstel vast zit.	De hoofdborstel is verstrengeld geraakt of zit vast. Controleer de hoofdborstel en verwijder vreemde voorwerpen.
Fout 15: Het lijkt er op dat de zijborstel vast zit.	De zijborstel is verstrikt geraakt of zit vast. Controleer de zijborstel en verwijder vreemde voorwerpen.
Fout 16: Oh-oh! Waar is het laadstation?	Als het apparaat meldt dat het laadstation niet gevonden kan worden of geen voeding heeft, controleer dan of het aan/uit-indicatielampje brandt of plaats het apparaat terug op het laadstation.
Fout 17: Oh nee! Ik zit met een programmafout. Start met opnieuw op!	Deze storing wordt veroorzaakt door een onbekende fout. Start het product opnieuw op.
Fout 18: Een defect heeft ervoor gezorgd dat het apparaat automatisch werd uitgeschakeld.	Start het product opnieuw. Neem contact om met de dienst na verkoop als het probleem aanhoudt.
Fout 19: Het batterijniveau is laag, de batterij moet opnieuw opgeladen worden.	Plaats het product op het laadstation.
Fout 20: Verplaats het apparaat weg van het laadstation om het uit te schakelen en probeer het opnieuw.	Het product kan niet worden uitgeschakeld als het in het laadstation staat. Haal het product uit het laadstation en houd de aan/uitknop ingedrukt.

Gebruikelijke problemen

Soort van probleem	Oplossing
Kan niet worden gestart	<ul style="list-style-type: none">• Het batterijniveau is laag. Plaats het product op het laadstation en lijn het uit met de draadloze voedingsontvanger. Het apparaat zou automatisch moeten aanschakelen. Als het apparaat zonder voeding is gevallen, kan het enige tijd duren om aan te schakelen.• De omgevingstemperatuur overschrijdt het normale bedrijfsbereik van 0-40°C. Gebruik het product alleen in omgevingen waar de omgevingstemperatuur zich binnen dit bereik bevindt.
Kan niet worden opgeladen	<ul style="list-style-type: none">• Verwijder het apparaat en controleer of het indicatielampje van het laadstation brandt. Zorg ervoor dat beide einden van de voedingsadapter van het laadstation aangesloten zijn, de voorkant van het apparaat naar het laadstation is gericht en dat de afstand tussen de voorkant van het apparaat en het laadstation ongeveer 2 cm is.• De aansluiting kan slecht zijn. Reinig de laadpunten op de draadloze voedingsontvanger en de behuizing van het apparaat of verwijder de zijborstels.• Laad het apparaat op bij een omgevingstemperatuur van 0-40°C.
Kan niet opnieuw worden opgeladen	Het product bevindt zich te ver van het laadstation. Zet het dichterbij en probeer het opnieuw.
Abnormale geluiden tijdens bedrijf	Er kan een vreemd voorwerp in de hoofdborstel, de zijborstels of de wielen verstregeld zijn. Zet het product uit en maak het schoon.
Afgenomen prestaties of lekken van stof	<ul style="list-style-type: none">• De stofbak is vol en moet schoongemaakt worden.• Het filter is verstopt en moet worden schoongemaakt of vervangen.• De hoofdborstel is verstregeld met een vreemd voorwerp en moet schoongemaakt worden.
Kan geen verbinding maken met Wi-Fi	<ul style="list-style-type: none">• Het Wi-Fi-sigitaal is zwak. Zorg ervoor dat het product zich in een gebied met goed Wi-Fi-bereik bevindt.• Er heeft zich een fout met de Wi-Fi-verbinding voorgedaan. Reset de Wi-Fi-verbinding, download de laatste versie van de mobiele client en probeer het opnieuw.• Het wachtwoord dat u hebt ingevoerd is niet juist.• De router gebruikt een 5GHz-netwerk. Dit product ondersteunt alleen verbinding met 2,4GHz-netwerken.
Verbruikt vermogen in het laadstation	Als het product zich op het laadstation bevindt, wordt er een kleine hoeveelheid energie verbruikt om te zorgen voor optimale batterijprestaties.

Scan de QR-code als u meer hulp nodig hebt



Wskazówki dotyczące bezpieczeństwa

Ograniczenia użytkowania

- Urządzenie służy wyłącznie do czyszczenia podłóg w gospodarstwach domowych. Nie jest ono przeznaczone do sprzątnięcia powierzchni na wolnym powietrzu (otwarte tarasy itd.), niebędących podłożem (tapczany itd.) i w obiektach użytkowych lub przemysłowych.
- Nie używać produktu na nieogrodzonych obszarach wyniesionych (daszki, otwarte tarasy, górne powierzchnie mebli).
- Nie używać produktu w temperaturze powyżej 40°C lub poniżej 0°C ani na mokrych powierzchniach lub takich, na których znajdują się lepkie substancje.
- Zawiesić kable leżące na podłodze, aby uniemożliwić ich pociągnięcie przez robota.
- Usunąć z podłogi delikatne przedmioty i pozostałości (wazon, torebki foliowe itd.), aby nie dopuścić do uszkodzenia wartościowych przedmiotów w wyniku lekkiego zderzenia z robotem.
- Urządzenia nie mogą obsługiwać dzieci, które mają mniej niż 8 lat i osoby o ograniczonej sprawności fizycznej, sensorycznej lub umysłowej oraz osoby bez odpowiedniej wiedzy i doświadczenia, chyba że działają pod nadzorem lub zostały poinstruowane w zakresie bezpiecznej obsługi urządzenia i zdają sobie sprawę ze związanych z nią zagrożeń. Traktowanie urządzenia jako zabawki dla dzieci jest zabronione. Czyszczenie i czynności konserwacyjne użytkownika nie mogą być wykonywane przez dzieci bez nadzoru.
- Szczotkę główną i pozostałe elementy czyszczące przechowywać poza zasięgiem dzieci.
- Nie umieszczać przedmiotów, dzieci ani zwierząt na nieruchomym lub ruchomym urządzeniu.
- Trzymać włosy, palce i inne części ciała oraz zwierzęta z dala od wlotu ssącego pracującego urządzenia.
- Nie używać produktu do sprzątnięcia palących się przedmiotów (tłące się niedopałki itd.).
- Nie używać produktu do sprzątnięcia dywanów z długim włosiem (skuteczne czyszczenie niektórych ciemnych dywanów może być niemożliwe).
- Nie dopuścić do wessania twardych lub ostrych przedmiotów przez robota (resztki materiałów dekoracyjnych, szkło, gwoździe itd.).
- Nie przemieszczać urządzenia, trzymając je za osłonę czujnika LiDAR ani zderzak antykolizyjny.
- Czyszczenie i konserwacja robota i podstawki ładującej przeprowadzać po ich wyłączeniu/odłączeniu od zasilania.
- Nie wycierać żadnych części produktu wilgotną ściereczką ani płynem.
- Użytkownik urządzenia zgodnie z instrukcją obsługi. Użytkownik ponosi odpowiedzialność za wszelkie uszkodzenia i obrażenia ciała wynikające z nieprawidłowego użytkowania.
- Nie korzystać z funkcji mopa podczas sprzątnięcia dywanów lub górnych powierzchni mebli.
- Upewnić się, że zbiornik na wodę został wyjęty przed rozpoczęciem ładowania urządzenia.

Wskazówki dotyczące bezpieczeństwa

1. Użytkować urządzenie wyłącznie z dołączonym do niego zasilaczem.
2. Przed przystąpieniem do czyszczenia lub konserwacji urządzenia odłączyć zasilacz z gniazdka.
3. Urządzenie jest wyposażone w akumulator, który może być wymieniany wyłącznie przez wykwalifikowane osoby.
4. Przed zutylizowaniem urządzenia należy wymontować z niego akumulator.
5. Na czas demontażu akumulatora odłączyć urządzenie od zasilania sieciowego.
6. Utylizować akumulator w bezpieczny sposób.
7. OSTRZEŻENIE: Akumulator ładować wyłącznie za pomocą odłączanej ładowarki dołączonej do urządzenia.

Rodzaj wtyczki	Model	Prąd wejściowy	Prąd wyjściowy
UE	GA241-2001000E	100–240 VAC 50/60 Hz 0,6 A	20V1A
UK	GA241-2001000B	100–240 VAC 50/60 Hz 0,6 A	20V1A
USA	GA241-2001000U	100–240 VAC 50/60 Hz 0,6 A	20V1A
Indie	GA241-2001000I	100–240 VAC 50/60 Hz 0,6 A	20V1A

Akumulator i ładowanie

- Nie używaj akumulatorów, podstawek ładujących ani ładowarek innych producentów.
- Nie demontuj Laser head Pulsani nie wymieniaj akumulatora bądź podstawki ładującej według własnego uznania.
- Podstawkę ładującą trzymaj z dala od źródeł ciepła (na przykład płyt grzewczych).
- Nie przecieraj ani nie czyść wypustów podstawki ładującej wilgotną ściereczką ani mokrymi dłońmi.
- Nie wyrzucaj zużytego akumulatora z odpadami komunalnymi. Zużyty akumulator należy oddać do utylizacji w przeznaczonym do tego punkcie.
- Jeśli linia zasilająca jest uszkodzona lub przerwana, nie korzystaj z niej. Zleć wymianę odpowiedniemu serwisowi.
- Upewnij się, że na czas transportu robot jest wyłączony i przewoź go w oryginalnym opakowaniu.
- Jeśli urządzenie nie będzie użytkowane przez dłuższy czas, należy je naładować do pełna i umieścić w chłodnym oraz suchym miejscu. Ładować urządzenie co najmniej raz na 3 miesiące, aby nie dopuścić do uszkodzenia akumulatora wskutek nadmiernego rozładowania.

Wskazówki dotyczące bezpieczeństwa

Wskazówki utylizacji

- Poniższe informacje dotyczą wyłącznej utylizacji produktu. Nie mają one zastosowania w przypadku codziennego użytkowania.
- Substancje chemiczne obecne w akumulatorze robota powodują zanieczyszczenie środowiska. Przed zutylizowaniem produktu zdemontuj akumulator i przekaz go do odpowiedniego punktu zbiórki odpadów. Akumulator należy zdemontować dopiero po jego całkowitym rozładowaniu. W żadnym wypadku nie dopuścić do kontaktu akumulatora z metalowymi przedmiotami.
- Demontaż akumulatora:
 1. Upewnij się, że robot nie styka się z podstawką ładującą i pozostaw urządzenie włączone aż do całkowitego rozładowania akumulatora.
 2. Odkręć śruby pokrywy akumulatora.
 3. Zdejmij pokrywę akumulatora, usuń zatyczkę akumulatora, a następnie wyjmij akumulator.

Informacje dotyczące bezpieczeństwa urządzeń laserowych

- Czujnik LiDAR zastosowany w produkcie spełnia wymogi normy IEC60825 dla laserów klasy 1 i nie jest źródłem niebezpiecznego promieniowania laserowego.
- Klasa lasera 1 według IEC-60825
- Maksymalna moc lasera zainstalowanego w produkcie wynosi 10mW
- Częstotliwość impulsów głowicy laserowej (1/2300 s)
- Niewidzialne promieniowanie laserowe
- Energia laserowa – narażenie w pobliżu przysłony może powodować oparzenia.
- Norma: IEC 60825-1:2014

Częstotliwość	2,4–2,4835 Ghz
Moc	≤17 dBm

Ostrzeżenie



Ten symbol oznacza, że – zgodnie z lokalnymi regulacjami i przepisami – tego produktu i/lub jego akumulatorów nie należy wyrzucać razem z odpadami z gospodarstwa domowego. W momencie zakończenia eksploatacji produktu użytkownik może go przekazać do odpowiedniej placówki recyklingu. Odpowiednia utylizacja produktu pomaga chronić ludzkie zdrowie oraz środowisko naturalne.



Tylko do użytku w pomieszczeniach

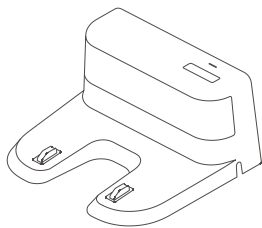
Ostrzeżenia dotyczące akumulatora

1. Urządzenie jest wyposażone we wbudowany akumulator litowy. Akumulatora nie wolno demontować, uderzać, wyjmować na siłę ani narażać na działanie ognia.
2. W warunkach skrajnie niskiego ciśnienia akumulator może eksplodować albo może dojść do wycieku palnej cieczy bądź gazu.
3. Trzymać akumulator z dala od miejsc występowania wysokich temperatur i bezpośredniego działania słońca. Ryzyko wybuchu akumulatora.
4. Przestać użytkować produkt, jeśli akumulator wydaje się napęczniały.
5. Akumulator wyrzucać zgodnie z obowiązującymi przepisami krajowymi. Nie wyrzucać akumulatora razem z odpadami komunalnymi.
6. Nie naprawiać, demontować ani nie modyfikować akumulatora. Wymiana akumulatora na nieprawidłowy model stwarza ryzyko wybuchu.
7. Nie wywierać nacisku na akumulator ani nie przebijać go twardymi przedmiotami. Uszkodzenie akumulatora stwarza ryzyko wycieku, przegrzania i wystąpienia pożaru.

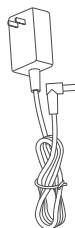
Firma realme niniejszym oświadcza, że urządzenie spełnia zasadnicze wymagania i pozostałe mające zastosowanie wymagania dyrektywy radiowej 2014/53/UE. Z deklaracją zgodności można się zapoznać pod adresem www.realme.com/global/support/declaration.

Podstawowe informacje o produkcie

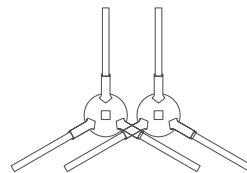
Zakres dostawy



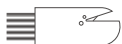
Podstawka ładująca x 1



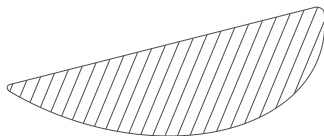
Zasilacz x 1



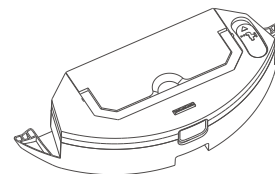
Lewa szczotka boczna (L) x 1
Prawa szczotka boczna (R) x 1



Szczotka do czyszczenia x 1



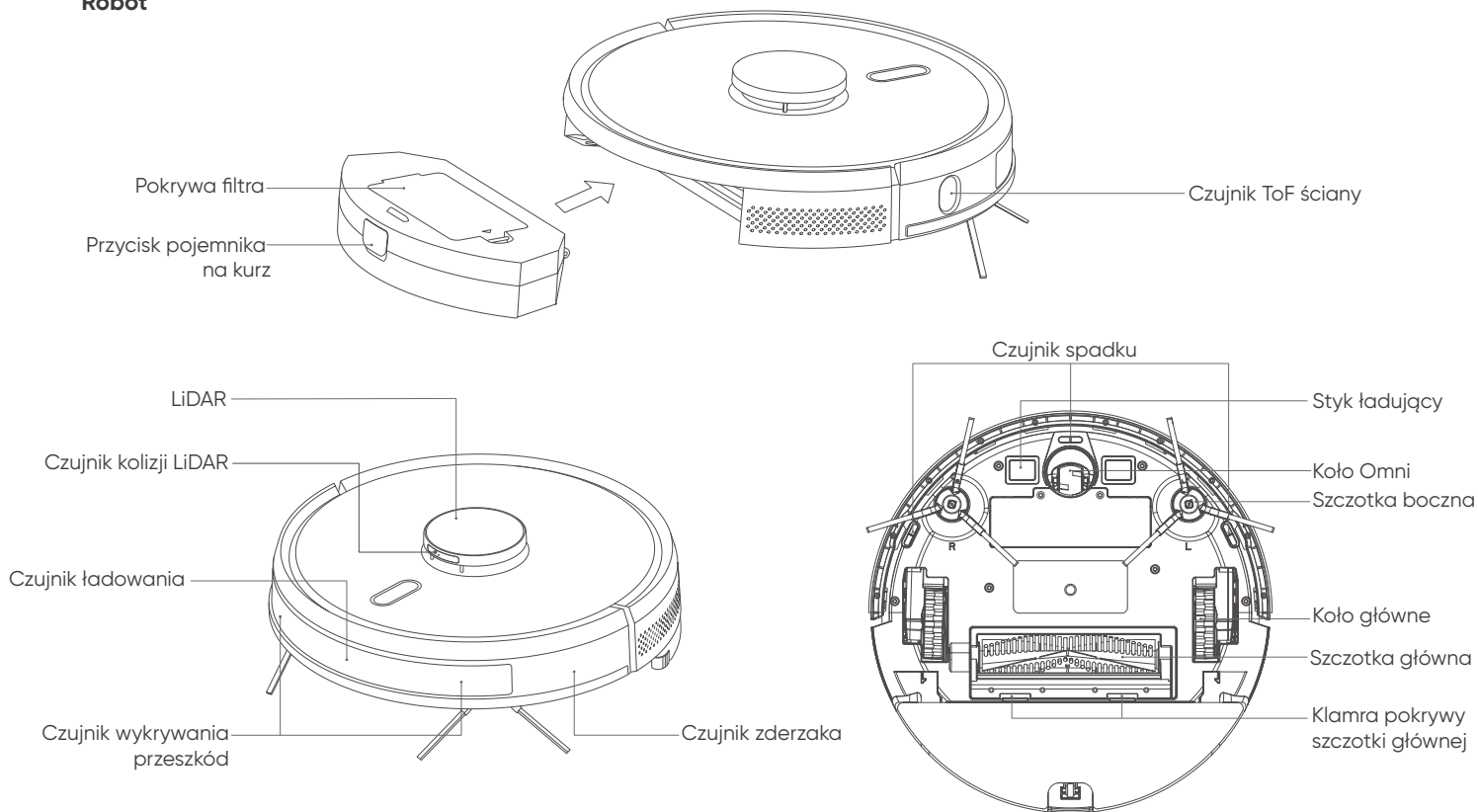
Podkładka pod mop nadająca się do mycia x 2 (opcjonalna)
Jednorazowa podkładka pod mop x 10 (opcjonalna)



Zdemowalny zbiornik na wodę
2-w-1 (opcjonalny)

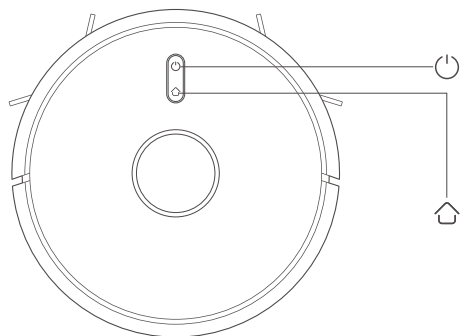
Podstawowe informacje o produkcie

Robot



Podstawowe informacje o produkcie

Robot



Włączanie/wyłączanie/sprzątanie/ wstrzymanie

- Naciśnij, aby rozpocząć/wstrzymać sprzątanie
- Naciśnij i przytrzymaj przez 3 sekundy, aby włączyć/wyłączyć urządzenie
- Po wystąpieniu błędu naciśnij i przytrzymaj przez 15 sekund, aby wymusić wyłączenie urządzenia

Ładowanie/sprzątanie obszaru/ wstrzymanie

- Naciśnij, aby naładować/wstrzymać
- Naciśnij i przytrzymaj, aby rozpocząć sprzątanie obszaru

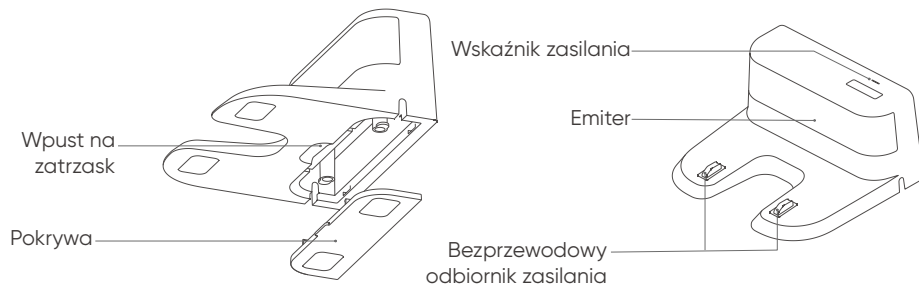
Wskaźnik

- Biały: połączono z siecią Wi-Fi
- Pomarańczowy: nie połączono z siecią Wi-Fi
- Czerwony: błąd albo niski poziom naładowania akumulatora

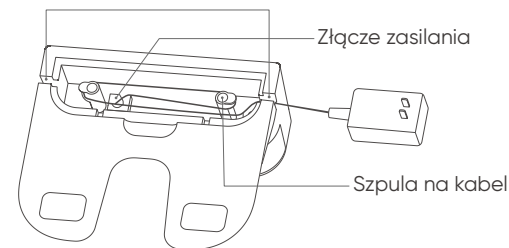
Resetowanie Wi-Fi

- Naciśnij oba przyciski i przytrzymaj przez 3 sekundy

Podstawka ładująca

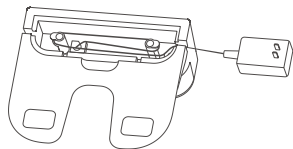


Zewnętrzny schowek na kabel

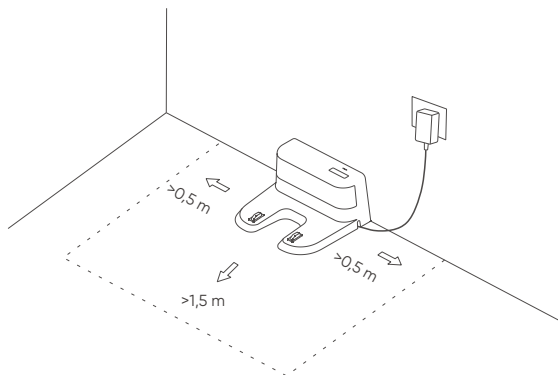


Montaż

1. Podłącz przewód zasilania i schowaj zbędną część kabla w schowku na kabel.



2. Umieść podstawkę ładującą na płaskiej powierzchni przy ścianie i podłącz ją do źródła zasilania.

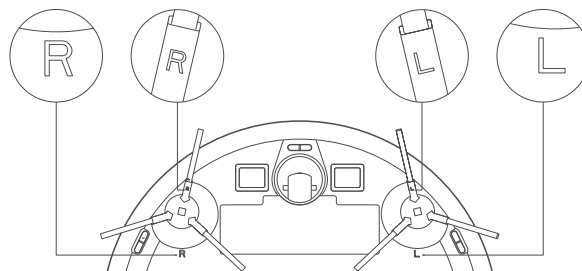


Uwaga:

- Upewnij się, że po obu stronach podstawki ładującej jest przynajmniej 0,5 m, a z przodu podstawy przynajmniej 1,5 m wolnej przestrzeni.
- Dopilnuj, aby podczas montażu przewód zasilania nie leżał na podłodze. Przewód leżący na podłodze może zostać wciągnięty przez urządzenie, co spowoduje odłączenie podstawki ładującej od zasilania.
- Wskaźnik ładowania świeci się zawsze, gdy do urządzenia jest przesyłany prąd.

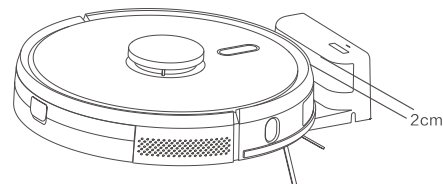
3. Montaż szczotek bocznych

Wyrównaj lewą i prawą szczotkę z oznaczeniami na pokrywie spodu. Dociskaj, aż usłyszysz zatrzaśnięcie, wskazujące, że szczotki zostały założone pomyślnie.



4. Włączanie i ładowanie

Naciśnij i przytrzymaj przycisk (⏻), aby włączyć urządzenie. Gdy wskaźnik się zaświeci, umieść urządzenie na podstawce ładującej.

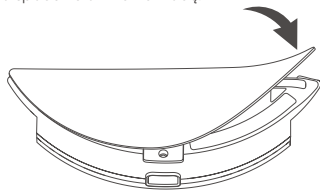


Uwaga: urządzenie nie włączy się, jeśli akumulator jest niedostatecznie naładowany. Umieść urządzenie na podstawce ładującej. Po naładowaniu rozpocznie ono pracę automatycznie. Urządzenie może normalnie pracować tylko, jeśli poziom naładowania akumulatora wynosi co najmniej 20%. Jak widać na rysunku, urządzenie powinno być skierowane przodem w stronę podstawki ładującej, aby styk ładujący robota dotykał bezprzewodowego odbiornika zasilania. Odległość pomiędzy przodem urządzenia a podstawką ładującą powinna wynosić około 2 cm.

Zestaw mopa

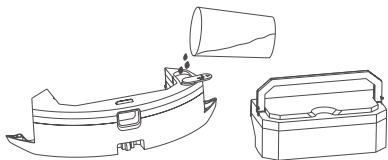
1. Montaż zdejmowanego zbiornika na wodę 2-w-1

① Zakładanie mopa: płynnym ruchem przycumuj mop do spodu zbiornika na wodę.



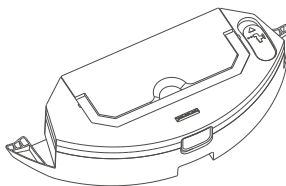
Uwaga: aby zachować optymalną wydajność sprzątkania, mop należy czyścić po każdym użyciu.

② Napełnianie zbiornika na wodę: otwórz pokrywę, napełnij zbiornik na wodę i zamknij pokrywę.

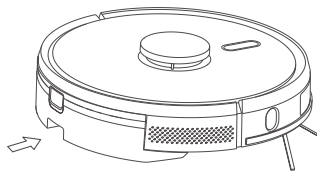


Uwaga: przed napełnieniem zbiornika na wodę zalecamy zdjęcie pojemnika na kurz. Zapobiegnie to przedostawaniu się wody do pojemnika na kurz. Podnieś uchwyt, wyjmij pojemnik na kurz ze zbiornika na wodę, napełnij zbiornik na wodę i załóż pokrywę.

③ Zakładanie zbiornika na wodę.



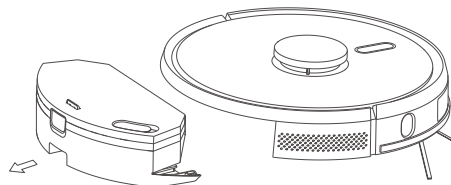
W pojemniku na wodę umieść pojemnik na kurz, upewniając się, że uchwyty leżą płasko.



Naciśnij i przytrzymaj przycisk na środku zbiornika na wodę, a następnie włóż go do urządzenia od tyłu. Odgłos zatrzaśnięcia oznacza, że zbiornik na wodę został założony pomyślnie.

2. Demontaż zdejmowanego zbiornika na wodę 2-w-1

Gdy urządzenie skończy sprzątać, naciśnij i przytrzymaj przycisk na środku zbiornika na wodę, wyjmij zbiornik, pociągając go, wylej wodę pozostałą w zbiorniku, a następnie przeczysz mop (nie przemieszczaj sprzątkującego urządzenia ani nie obracaj go).



3. Użytkowanie

- ① Nie używać zbiornika na wodę, jeśli nikogo nie ma w domu.
- ② W celu zachowania bezpieczeństwa należy wyjmować zbiornik na wodę, gdy nie jest używany i na czas ładowania urządzenia.
- ③ Nie używać funkcji mopa na dywanie. Uniemożliwi wjeżdżanie przez urządzenie na powierzchnie dywanów, ustawiając niedozwolony obszar w aplikacji mobilnej.
- ④ Aby zapewnić optymalne wyniki sprzątkania z funkcją mopa, trzykrotnie odkurzyć obszar przed założeniem modułu mopa.
- ⑤ Aby dodać wodę lub wyczyścić mop podczas sprzątkania, wstrzymać pracę urządzenia i wykonać wskazane powyżej czynności. Nie przemieszczać urządzenia ani nie obracać go, aby zapobiec błędom ustalania położenia i utracie mapy.
- ⑥ Korzystając z funkcji mopa, urządzenie może wycierać powierzchnię, zwiększając skuteczność intensywnego sprzątkania. Urządzenie nie jest w stanie usuwać uporczywych plam tak skutecznie jak człowiek.

Łączenie z realme Link

Pobieranie aplikacji

Sposób 1: Otwórz odpowiedni sklep z aplikacjami i pobierz aplikację realme Link.

Sposób 2: Zeskanuj poniższy kod QR.





Dodawanie urządzenia

Otwórz aplikację mobilną i dotknij przycisk + na stronie głównej, aby przejść na stronę wyboru urządzenia. Wybierz pozycję „Cleaning Robot” i postępuj zgodnie z instrukcjami, aby dodać urządzenie do aplikacji.

Aktualizowanie oprogramowania sprzętowego

Otwórz aplikację mobilną i przejdź do strony aktualizowania oprogramowania sprzętowego. Poczekaj na wykrycie oprogramowania przez aplikację, a następnie postępuj zgodnie z instrukcjami. W celu zaktualizowania oprogramowania sprzętowego poziom naładowania akumulatora musi wynosić co najmniej 50%. Zalecamy umieszczenie urządzenia na podstawie ładującej na czas aktualizowania oprogramowania sprzętowego.

Resetowanie Wi-Fi

Po utraceniu łączności między telefonem a urządzeniem w wyniku zmiany konfiguracji routera, hasła lub z innych przyczyn jednocześnie naciśnij przyciski  oraz  i przytrzymaj je przez 3 sekundy. Rozlegnie się komunikat „Wi-Fi has been reset”.



Użytkowanie

Włączanie/wyłączenie

Naciśnij przycisk  i przytrzymaj przez 3 sekundy. Wskaźnik informujący, że urządzenie jest włączone, powinien się zaświecić.

Uwaga: Ładującego się urządzenia nie można wyłączyć.

Sprzątanie/wstrzymanie

Po włączeniu urządzenia naciśnij przycisk  na robocie albo użyj aplikacji mobilnej, aby rozpocząć sprzątanie.


(Aby wstrzymać sprzątanie, naciśnij dowolny przycisk)

Uwaga:

- Roboty odkurzające nie są przeznaczone do sprzątania cieczy.
- Jeśli poziom naładowania akumulatora spadnie poniżej 20%, urządzenie nie będzie w stanie kontynuować sprzątania. Naładuj urządzenie przed przystąpieniem do sprzątania.
- Jeśli podczas sprzątania poziom naładowania akumulatora spadnie poniżej 20%, urządzenie automatycznie wróci do podstawki ładującej. Po naładowaniu akumulatora do 80% urządzenie spróbuje wznowić sprzątanie od ostatniego miejsca.
- Przed sprzątaniem usuń z podłogi wszystkie kable (w tym przewód zasilania podstawki ładującej). Zapobiegnie to przypadkowemu odłączeniu od zasilania lub uszkodzeniu przedmiotów bądź kabli po pociągnięciu ich przez urządzenie.

Ładowanie

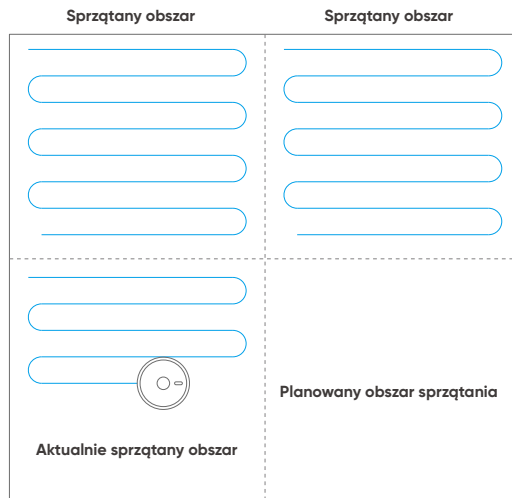
Automatyczne: Po zakończeniu sprzątania urządzenie automatycznie wróci do podstawki ładującej.

Ręczne: Po wstrzymaniu pracy urządzenia naciśnij przycisk  albo użyj aplikacji mobilnej, aby rozpocząć ładowanie.

Uwaga: Jeśli urządzenie nie znajdzie podstawki ładującej, wróci do pozycji początkowej. Konieczne będzie ręczne przeniesienie go do podstawki ładującej.

Sprzątanie automatyczne

Rozpoczynając sprzątanie, urządzenie przeskanuje obszar, wygeneruje jego mapę i inteligentnie podzieli ją na strefy. Najpierw urządzenie odkurza strefę wzdłuż ścian, a następnie jej pozostałą część, podążając po drodze złożonej z luków. Każda strefa jest sprzątana w zorganizowany, wydajny i kompleksowy sposób. Po zakończeniu sprzątania urządzenie automatycznie wraca do podstawki ładującej.



Uwaga:


Nie przemieszczaj pracującego urządzenia często lub według własnego uznania. Przemieszczone urządzenie połóż blisko wyjściowej pozycji. Po wznowieniu pracy urządzenie podejmie próbę odnalezienia wyjściowych współrzędnych. Jeśli urządzenie ustali swoje położenie, wznowi sprzątanie zgodnie z planowaną drogą. Jeśli urządzenie nie ustali swojego położenia, urządzenie anuluje poprzednie zadanie i podejmie próbę stworzenia nowej mapy, aby wznowić sprzątanie. W takim przypadku urządzenie może nie być w stanie naładować akumulatora.

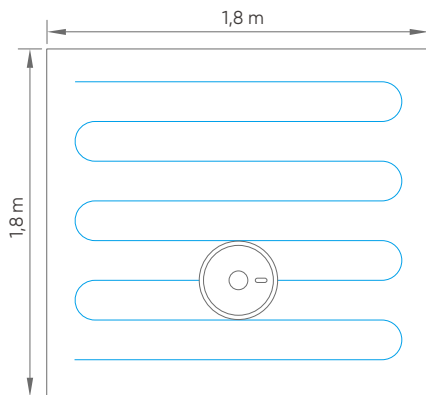
Użytkowanie

Sprzątanie miejscowe

Aby gruntownie posprzątać obszar, wskaż jego położenie w aplikacji mobilnej. Urządzenie wypośrodkuje się i dwukrotnie posprząta obszar 1,5 m x 1,5 m wokół siebie.

Sprzątanie obszaru

Jeśli sterowanie urządzeniem za pomocą aplikacji mobilnej jest niemożliwe, należy przenieść je ręcznie na docelowy obszar, a następnie nacisnąć przycisk  i przytrzymać przez 3 sekundy. Urządzenie wypośrodkuje się i jednokrotnie posprząta obszar 1,8 m x 1,8 m wokół siebie.



Obszar niestandardowy

W aplikacji mobilnej możesz ustawić lokalizację i wielkość obszaru/obszarów do sprzątnięcia.

Niedozwolony obszar

W aplikacji mobilnej możesz ustawić jeden lub więcej niedozwolonych obszarów. Urządzenie będzie omijało niedozwolone obszary.

Uwaga:

- Urządzenie może wjechać na niedozwolony obszar na przykład w wyniku błędu ustalania położenia albo awarii czujników.
- Stałe niedozwolone obszary mogą zostać zapomniane przez urządzenie w wyniku znacznej zmiany ustawienia mebli lub podstawki ładującej. Nie przemieszczać pracującego urządzenia i nie ingerować w jego działanie.
- Utworzenie nowej mapy spowoduje usunięcie wszystkich stałych niedozwolonych obszarów.

Planowanie sprzątnięcia

W aplikacji mobilnej możesz zaplanować czas sprzątnięcia. Urządzenie automatycznie rozpocznie sprzątnięcie o wyznaczonej porze, a po zakończeniu wróci do podstawki ładującej.

Ssanie

W aplikacji mobilnej możesz wybrać tryb odkurzania: Cichy, Standardowe, Silne albo Max. Ustawienie domyślne to odkurzanie standardowe.

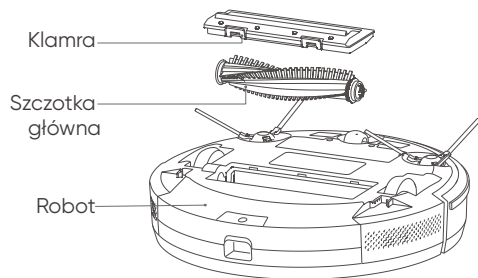
Poziom wody

W aplikacji mobilnej możesz wybrać tryb Suchy albo Z Małą, Średnią lub Dużą ilością wody. Ustawienie domyślne to duża ilość wody.

Rutynowa konserwacja

Szczotka główna

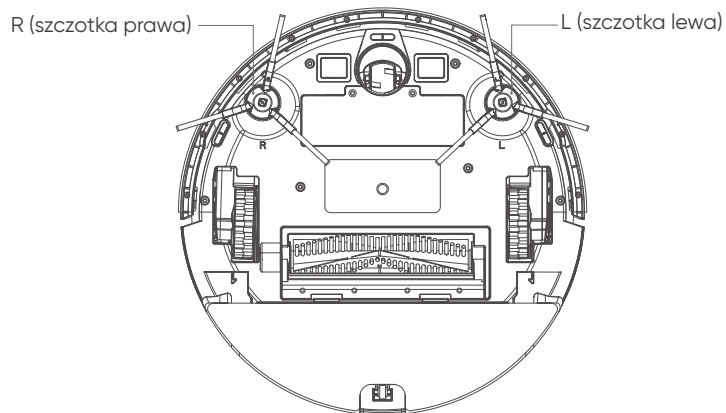
1. Obróć urządzenie i naciśnij klamrę na szczotce głównej, aby ją wyjąć.
2. Odpowiednim narzędziem wyczyść szczotkę główną, usuwając ewentualne zanieczyszczenia w jej wgłębieniach i wszelkie zaplątane przedmioty.
3. Ponownie załóż szczotkę główną, dociśnij pokrywę i przymocuj klamrę.



Szczotka boczna

1. Odwróć urządzenie i pionowym ruchem wyciągnij szczotkę boczną.
2. Usuń zaplątane włosy i zabrudzenia i ponownie załóż szczotkę.
3. Wyrównaj lewą i prawą szczotkę z oznaczeniami na pokrywie spodu i dociśnij, aby przymocować.

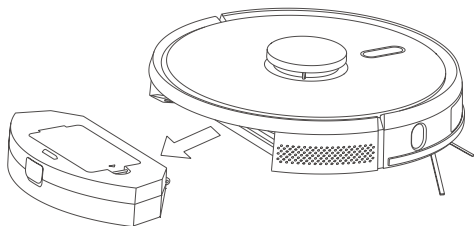
Uwaga: aby zachować optymalną wydajność urządzenia, zalecamy wymianianie szczotki bocznej co 3–6 miesięcy.



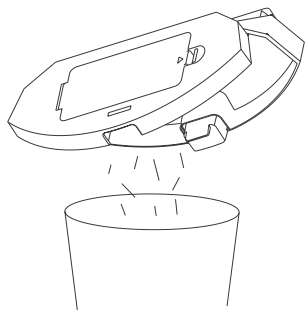
Rutynowa konserwacja

Pojemnik na kurz

1. Naciśnij i przytrzymaj przycisk pojemnika na kurz, a następnie pociągnij go, aby wyjąć.

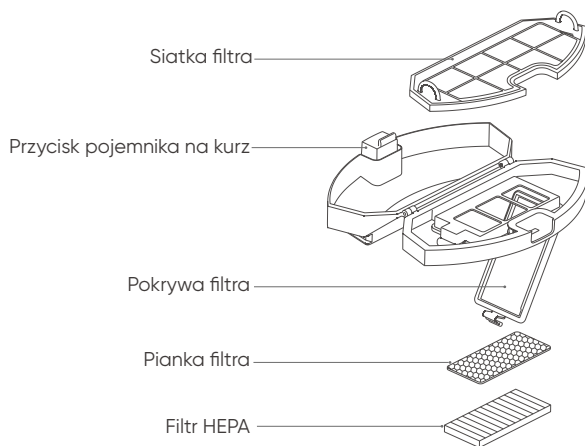


2. Otwórz pojemnik na kurz i opróżnij jego zawartość do kosza na śmieci.



Filtr

1. Po dłuższym okresie użytkowania wyjmij siatkę filtra, piankę filtra i filtr HEPA.
2. Przeplucz siatkę filtra, piankę filtra i filtr HEPA wodą z kranu.
3. Po splukaniu strząśnij pozostałości wody i poczekaj na całkowite wyschnięcie filtrów i pojemnika na kurz.
4. Po całkowitym wyschnięciu ponownie załóż filtry w następującej kolejności: siatka filtra > pianka filtra > filtr HEPA.



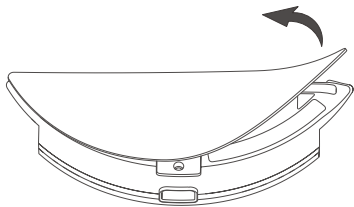
Uwaga:

- Płukać czystą wodą. Nie dodawać detergentów.
- Nie czyścić filtra szczotką ani palcami.
- Odczekać około 24 godziny na wyschnięcie filtra.
- Zalecamy wymienianie filtra co 3–6 miesięcy.

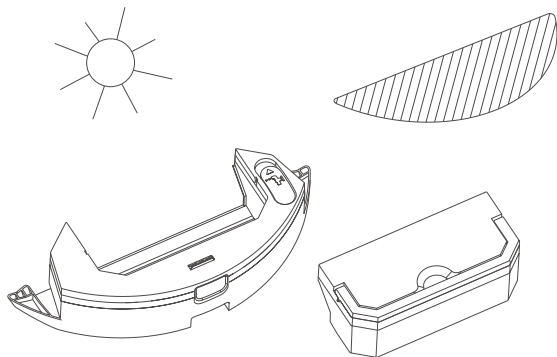
Rutynowa konserwacja

Zdejmowany zbiornik na wodę 2-w-1 (wyczyścić po każdym użyciu)

1. Wyjmij mop czyszczący i wylej pozostałą wodę ze zbiornika.

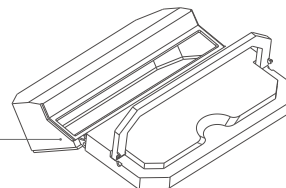


2. Umyj mop czyszczący, a następnie wysusz zbiornik na wodę i mop, aby były gotowe do kolejnego użycia.

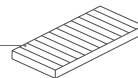


Podnieś uchwyt, wyjmij pojemnik na kurz ze zbiornika na wodę, wylej nadmiar wody i wysusz pojemnik na wodę.

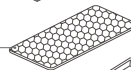
Elementy pojemnika na kurz



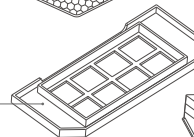
Filtr HEPA



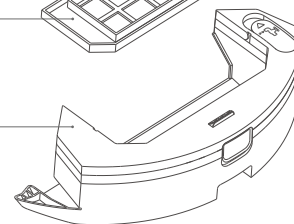
Pianka filtra



Siatka filtra



Elementy zbiornika na wodę



Akumulator

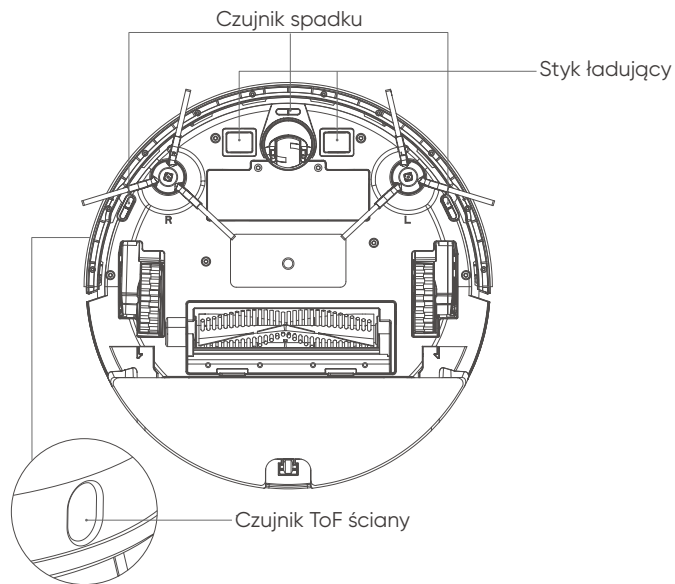
- Wewnątrz obudowy urządzenia znajduje się wydajny akumulator litowo-jonowy. Urządzenie powinno być regularnie ładowane, aby zachować optymalną sprawność akumulatora.
- Jeśli urządzenie nie będzie użytkowane przez dłuższy czas, należy je wyłączyć i przechowywać w bezpiecznym miejscu. Ładować urządzenie przynajmniej raz na trzy miesiące, aby zapobiec uszkodzeniu akumulatora w wyniku nadmiernego rozładowania.

Rutynowa konserwacja

Czujniki(regularnie czyścić)

Suchą, miękką ściereczką przetrzyj wszystkie czujniki urządzenia, w tym:

1. Czujnik ToF ściany po prawej stronie robota
2. Czujnik spadku na spodniej stronie robota
3. Czujnik wykrywania przeszkód z przodu robota
4. Czujnik kolizji LiDAR u góry robota
5. Styk ładujący na spodzie robota i bezprzewodowy odbiornik zasilania na podstawce ładującej (wyłączyć zasilanie przed przystąpieniem do czyszczenia)
6. Emiter podstawki ładującej



Dane techniczne

Robot

Nazwa produktu	realme TechLife Robot Vacuum
Model	RMH2101
Wymiary	350 x 350 x 100 mm
Masa:	3,3 kg
Akumulator	Akumulator litowy 5200 mAh
Napięcie wejściowe	14,4 V
Moc znamionowa	50 W

Podstawka ładująca

Model	RMH2101CB
Wymiary	160 x 143 x 80 mm
Moc znamionowa	20 W
Znamionowa moc użytkowa	20 W

Rozwiązywanie problemów

Komunikat o błędzie	Rozwiązanie
Błąd 1: Brak pojemnika na kurz.	Urządzenie włączono z wyjętym pojemnikiem na kurz. Załóż pojemnik na kurz.
Błąd 2: Górny radar się zablokował lub jest zasłonięty.	Górny radar został zasłonięty albo umieszczony na otwartej przestrzeni. Zdejmij pokrywę górnego radaru albo przenieś urządzenie do wnętrza.
Błąd 3: Przenieś mnie w inne miejsce i uruchom ponownie.	Urządzenie nie dotyka podłoża. Przenieś urządzenie na równą powierzchnię i uruchom ponownie.
Błąd 4: Wyczyść czujnik spadku, przenieś mnie w inne miejsce i uruchom ponownie.	Czujnik spadku jest zasłonięty albo znajduje się na wzniesieniu. Przetrzyj okienko czujnika spadku miękką, suchą ściereczką albo przenieś urządzenie na równą powierzchnię i uruchom ponownie.
Błąd 5: Wyczyść przedni czujnik, przenieś mnie w inne miejsce i uruchom ponownie.	Czujnik wykrywania przeszkód jest zabrudzony albo zasłonięty. Przetrzyj czujnik wykrywania przeszkód miękką, suchą ściereczką.
Błąd 6: Wyczyść prawy czujnik, przenieś mnie w inne miejsce i uruchom ponownie.	Czujnik ToF ściany jest zabrudzony albo zasłonięty. Przetrzyj czujnik ToF ściany suchą, miękką ściereczką.
Błąd 7: Wyczyść pokrywę górnego radaru, przenieś urządzenie w inne miejsce i uruchom ponownie.	Czujnik kolizji LiDAR jest zabrudzony albo zasłonięty. Przetrzyj górny czujnik kolizji LiDAR miękką, suchą ściereczką.
Błąd 8: Zderzak się zablokował.	Czujnik krawędzi lub czujnik zderzaka się zablokował. Przesuń przedni zderzak w lewo i w prawo, aby sprawdzić, czy coś go blokuje.
Błąd 9: Wyczyść pojemnik na kurz i filtr.	Wyczyść pojemnik na kurz i filtr albo wymień filtr.
Błąd 10: Pojemnik na kurz został wyjęty. Wyczyść pojemnik na kurz i filtr.	Wyczyść pojemnik na kurz i filtr albo wymień filtr.
Błąd 11: Utknąłem! Pomóż mi!	Przenieś urządzenie na równą powierzchnię i uruchom ponownie.

Rozwiązywanie problemów

Komunikat o błędzie	Rozwiązanie
Błąd 12: Postaw mnie równo!	Urządzenie znajduje się na pochyłości. Przenieś urządzenie na równą powierzchnię i uruchom ponownie.
Błąd 13: Opony się zablokowały.	Koło główne zaplątało się lub zablokowało. Sprawdź koło główne i usuń ewentualne ciała obce.
Błąd 14: Szczotka główna się zablokowała.	Szczotka główna zaplątała się lub zablokowała. Sprawdź szczotkę główną i usuń ewentualne ciała obce.
Błąd 15: Szczotka boczna się zablokowała.	Szczotka boczna zaplątała się lub zablokowała. Sprawdź szczotkę boczną i usuń ewentualne obce przedmioty.
Błąd 16: O nie! Gdzie jest podstawka ładująca?	Jeśli urządzenie informuje, że podstawka ładująca nie została znaleziona lub nie jest podłączona, sprawdź, czy wskaźnik podstawki ładującej się świeci albo umieść urządzenie z powrotem na podstawce ładującej.
Błąd 17: O nie! Wystąpił błąd programu. Zrestartuj mnie!	Błąd spowodowany nieznaną usterką. Zrestartuj urządzenie.
Błąd 18: Urządzenie wyłączyło się automatycznie po wystąpieniu błędu.	Zrestartuj urządzenie. Jeśli problem nadal występuje, skontaktuj się z serwisem.
Błąd 19: Niski poziom naładowania akumulatora – konieczne ładowanie.	Umieść urządzenie na podstawce ładującej.
Błąd 20: Aby wyłączyć urządzenie, zdejmij je z podstawki ładującej i spróbuj ponownie.	Nie można wyłączyć produktu, gdy jest na podstawce ładującej. Zdejmij urządzenie z podstawki ładującej, a następnie naciśnij i przytrzymaj przycisk zasilania.

Najczęstsze problemy

Rodzaj problemu	Rozwiązanie
Nie można włączyć urządzenia	<ul style="list-style-type: none">Niski poziom naładowania akumulatora. Umieść urządzenie na podstawie ładującej równo z bezprzewodowym odbiornikiem zasilania. Urządzenie powinno włączyć się automatycznie. Jeśli urządzenie było rozładowane, może włączyć się dopiero po pewnym czasie.Temperatura otoczenia jest poza normalnym zakresem roboczym 0–40°C. Urządzenie użytkować tylko w miejscach, w których temperatura otoczenia mieści się w tym przedziale.
Ładowanie niemożliwe	<ul style="list-style-type: none">Zdejmij urządzenie i sprawdź, czy wskaźnik podstawki ładującej jest włączony. Upewnij się, że obie końcówki zasilacza podstawki ładującej są podłączone, urządzenie jest skierowane przodem do podstawki ładującej, a odległość pomiędzy przodem urządzenia a podstawką ładującą wynosi około 2 cm.Jakość połączenia może być niedostateczna. Wyczyść styki ładujące bezprzewodowego odbiornika zasilania i obudowę urządzenia albo zdejmij szczotki boczne.Ładuj urządzenie w temperaturze otoczenia 0–40°C.
Ponowne ładowanie niemożliwe	Urządzenie jest zbyt daleko od podstawki ładującej. Przybliż je i spróbuj ponownie.
Nietypowe odgłosy podczas pracy	W szczotkę główną, szczotki boczne lub koła mogło zaplątać się ciało obce. Wyłącz i wyczyść urządzenie.
Niższa skuteczność sprzątania lub wydostający się kurz	<ul style="list-style-type: none">Pojemnik na kurz jest pełny. Wyczyść pojemnik.Filtr jest niedrożny. Wyczyść lub wymień filtr.W szczotkę główną wplątało się ciało obce. Wyczyść szczotkę główną.
Nie można połączyć się z siecią Wi-Fi	<ul style="list-style-type: none">Jakość sygnału Wi-Fi jest niedostateczna. Upewnij się, że urządzenie pracuje na obszarze objętym odpowiednim zasięgiem Wi-Fi.Wystąpił błąd połączenia Wi-Fi. Zresetuj połączenie Wi-Fi, pobierz najnowszą wersję mobilnego klienta i spróbuj ponownie.Wprowadzone hasło jest nieprawidłowe.Router pracuje w częstotliwości 5 GHz. Urządzenie obsługuje tylko sieci 2,4 GHz.
Urządzenie na podstawie ładującej zużywa prąd	Urządzenie na podstawie ładującej zużywa niewielką ilość prądu w celu zapewnienia optymalnego działania akumulatora.

Zeskanuj kod QR, aby uzyskać dodatkową pomoc





Realme Chongqing Mobile Telecommunications Corp., Ltd.
No.178 Yulong Avenue, Yufengshan, Yubei District, Chongqing, China
Representative in Europe:
Baradine Invest, S.L.U. c/ Príncipe de Vergara, 112, 4, 28002 Madrid, Spain

