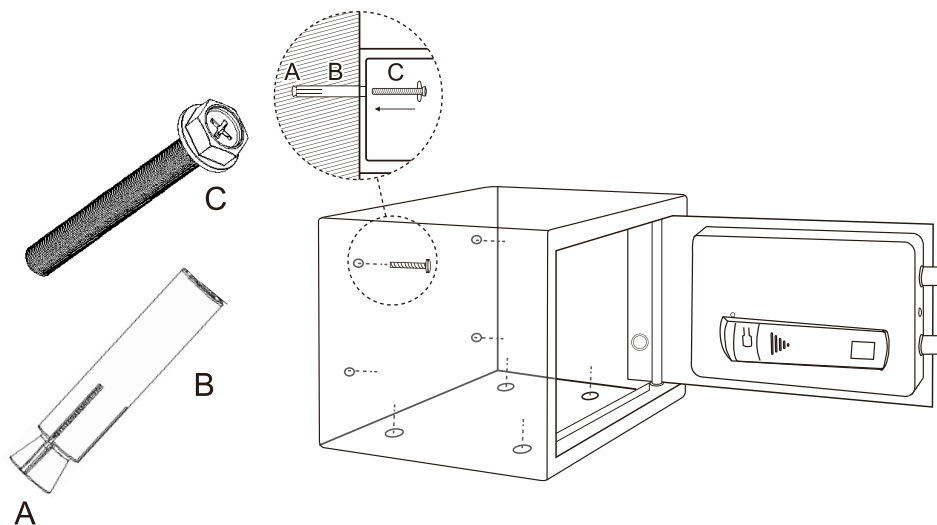


## MOUNTING METHOD

- Select a stable, dry and secure location for your safe.
  - If bolting to a wall, make sure that your safe is resting on a supporting surface (such as the floor or a shelf). Do not bolt your safe to both the floor and wall.
1. Place the safe on the selected location. Use a pencil to mark the mounting holes on the floor or wall.
  2. Move the safe and drill 2-inch-deep mounting holes (~50 mm) using the appropriate drill bit.
  3. Move the safe back in place, align the mounting holes to the openings in the safe. Insert the expansion bolts (included) through the holes and into the mounting holes and tighten them securely.



**For any help, kindly consult the local distributor**

## INTELLIGENT ELECTRONIC SAFE

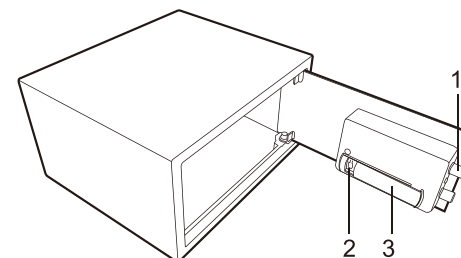
**! Please do not keep emergency keys in your safe!**

### Dear valued customer:

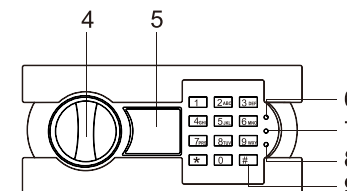
*Thank you for choosing our products! You've taken an important step in organizing and protecting your most valuable possessions. Every series of our safes is professionally made and designed to provide safety. Please take time to read and familiarize yourself with the proper operating procedures of your new safe presented on the following pages.*

*Again, thank you for choosing our products!*

### Schematic drawing of case



### Schematic drawing of control panel



- |                        |                         |                      |
|------------------------|-------------------------|----------------------|
| 1. Bolts               | 5. Emergency Lock Cover | 9. Confirming button |
| 2. Reset Button        | 6. Green Light          |                      |
| 3. Battery Compartment | 7. Red Light            |                      |
| 4. Knob (Master Key)   | 8. Yellow Light         |                      |

**! CAUTION:** All drawings in this manual have been prepared based on the EA. The exterior design or component positions of other models may be different from what is indicated in the drawings, while the operation is the same.

### OPENING YOUR SAFE FOR THE FIRST TIME

To open the safe for the first time, please use the emergency key. The operation in details refers to “opening the safe with the emergency key”.

- Remove emergency lock cover, then insert the emergency key, and turn it count clockwise.
- Turn the knob (master key) clockwise to open the door.

⚠ CAUTION: Finish operation, pull out the emergency key and keep it in a safe place.

### INSERTING THE BATTERIES

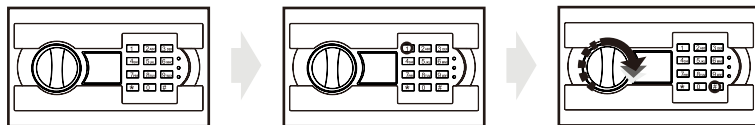
- Open the door.
- Insert 4 X AA batteries into the battery compartment.
- Under normal condition both red and green lights are on at the same time. It means the voltage is low and you should insert new batteries.

⚠ CAUTION: Replace 4 batteries by lining them up in a manner as indicated by the “+” and “-” signs. You should reset the user’s code after replace the batteries.

### OPENING DOOR

- Input your user’s code (3 to 8 digits), each press results in one beep and the yellow light flashes.
- Press “A” (C/#) or “B”(E/ \*) Confirming button, the green light will be on.
- Rotate the knob (master key) clockwise and pull outwards within 5 seconds, the door is opened.

⚠ CAUTION: The user preset code is “159”. Please input the user code again if the yellow light flashes with beeps.



### CLOSING DOOR

- Turn the knob (master key) counter clockwise to close the door.

### AUTOMATIC LOCK

- 3 continuously wrong entries will activate the warning beeps.

⚠ CAUTION: The key pad would be disabled during the beeping. You can only stop the beeps by opening the safe with emergency key and power-cut by removing the battery.

### SETTING THE USER CODE

- Open the safe, press the reset button, start setting code when the yellow light goes on.
- Input new code (3-8 digits), and press the “A” (C/#) or “B”(E/ \*) button to confirm with beeps, which indicates the acceptance and storage of the new code.
- If the yellow light flashes with beeps, the code changing is not effective, and you need to try again.

### SETTING MASTER CODE

- Open the safe, input “0” twice and press the reset button, start setting code when beeps and the yellow light goes on.
- Input the new master code (3-8 digits), then press “A” (C/#) or “B”(E/ \*) button to confirm, it will be confirmed by beeps, setting is done successfully.
- If the yellow light flashes with beeps, it means the new code is invalid and should operate again.

### OPENING THE SAFE WITH THE EMERGENCY KEY

Upon first receipt of the safe, or either the electronic circuit malfunction or codes unknown. You could also use the emergency key to open the safe.

- Remove the cover of the emergency lock.
- Insert the emergency key, turn it count clockwise, then turn the knob (master key) clockwise to open the door.

