

JUGASO

PROFFESIONELE WATERFLOSSER & SONISCHE
TANDENBORSTEL

Instruction manual

Model No. / FC163

IPX4 FDA RoHS  CE FC  

Contents

Important safeguards	01
Product structure	04
Product instructions	06
Introduction to the jet tips	11
Cleaning and maintenance	13
Common problems and solutions	15
Warranty description	16

• IMPORTANT SAFEGUARDS

When using electrical products, especially when children are present, basic safety precautions should always be followed, including the following:

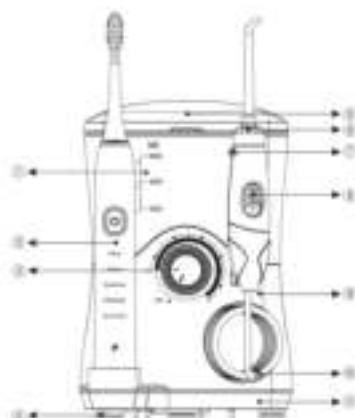
- This appliance is not intended for use by people (including children) with reduced physical sensory or mental capabilities, or lack of experience and knowledge.
- Children between the ages of 6-10 must be given supervision or instruction concerning use of the appliance by a person responsible for their safety. Children under the age of 6 are not recommended for use.
- This appliance is only for personal use. It is not intended for mixed use in dental clinics by multiple patients. This appliance is for cleaning teeth, gums and tongue only. Do not use it for other purposes.
- Charge indicator may not come to work instantly when you charge after appliance has been unused a long period of time. It will switch back on in 5-10 minutes.
- It is normal to feel slight heat comes through the handle during charging process. However, if it turns excessively hot, unplug the power.
- Clean the pins of the power adaptor after a certain period of time to avoid overheat and electrocution that may caused by low insulation due to dust accumulation.
- Store this appliance away from direct sunlight where it is well-ventilated and dry. Temperature at 7C-40C.
- Do not expose surface of the appliance to caustic substance (gel, oil, soap etc) for a long time to avoid corrosion. Disposal of the appliance and its built-in battery should comply with your local regulation.

To reduce the risk of electrocution:

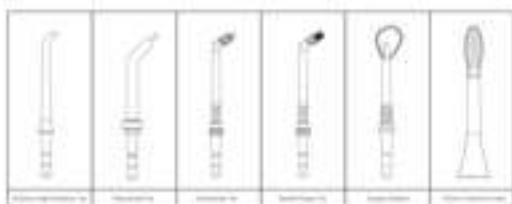
- Always unplug this product immediately after using.
- Do not use while bathing.
- Do not place or store product where it can fall or be pulled into a tub or sink.
- Do not place in or drop into water or other liquid.
- Do not reach for a product that has fallen into water. Unplug immediately.
- To reduce the risk of burns, electrocution, fire, or injury to persons.
- A product should never be left unattended when plugged in.
- Close supervision is necessary when this product is used by, on, or near children or invalids.
- Use this product only for its intended use as described in this manual. Do not use attachments not recommended by the manufacturer.
- Never operate this product if it has a damaged cord or plug, if it is not working properly, if it has been dropped or damaged, or dropped into water. Return the product to a service center for examination and repair.

- Keep the cord away from heated surfaces.
- Never block the air openings of the product or place it on a soft surface, such as a bed or couch, where the air openings may be blocked. Keep the air openings free of lint, hair, and other fluff.
- Never use while sleeping or driving.
- Never drop or insert any object into any opening or hole.
- Do not use outdoors or operate where aerosol (spray) products are being used or where oxygen is being administered.
- Connect this product to a properly grounded outlet only.
- See Grounding Instructions.
- Unplug this product before filling (reserve) with water only unless otherwise specified by manufacturer. Do not overfill (or specify filling instructions).
- It's normal phenomenon that caused gum bleeding when you use the water flosser in the first time, which depended on different gum bearing ability.
- The appliance is not to be used by persons (including children) with reduced physical, sensory or mental capabilities, or lack of experience and knowledge, unless they have been given supervision or instruction.
- Children being supervised not to play with the appliance.
- If the supply cord is damaged, it must be replaced by the manufacturer, its service agent or similarly qualified person in order to avoid a hazard.

Product Structure



- | | |
|------------------------|-------------------------|
| 1. Water tank | 2. Electric toothbrush |
| 2. OFF/ON | 4. Suction |
| 3. Reservoir Lid | 5. 360° Tip Pop-Up Knob |
| 3. Tip Pop-Up Knob | 6. Power Button |
| 5. Body | 10. Power |
| 11. Base suction cover | |



Ordinary High-Pressure Tip: 3 color ring. For hygiene purpose. Recommend using by 3 people respectively (family pack).

The other 4 special tips

Periodontal Tip	X3
Orthodontic Tip	X1
Dental Plaque Tip	X1
Tongue Cleaner	X1
Electric toothbrush head	X2

Washing device instructions

Instructions

Plug into socket. If the socket is controlled by a wall switch, make sure the switch is turned on.



Preparing for reservoir

Remove the lid & reservoir from the base. Fill the reservoir with lukewarm water. Push the reservoir back to the base and press down firmly and put on the lid.



Inserting and removing tips

Insert the tip into the center of the knob at top of the dental jet handle. The colored ring will be flush with the end of the knob. If the tip is correctly locked into place. To remove the tip from the handle, press the jet stop button and pull the tip from the handle.



00

00

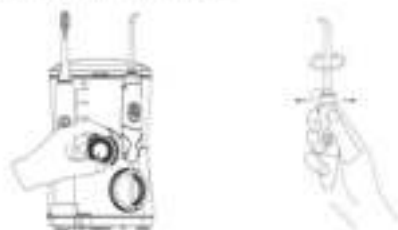
Adjusting The Pressure Settings

When you hear "click", said the switch has been opened. Then turn the dial down to adjust the pressure from small to large. The machine will stop automatically in excess of 3 minutes at any stall. Next time when opening need to return to a "click" again to start the machine.



Using the Oral Irrigator

Take low color sink and place the jet tip in mouth. Aim the tip toward teeth. With your free hand, turn the on/off button on. Set pressure obtained setting. Direct the stream by turning the knob at the top of the handle.



07

Recommended technique

Direct the jet stream at 90-degree angle to your gumline, slightly close tip to avoid splashing but allow water to flow freely from mouth into the sink. For best results, start the initial area (back teeth) working towards the front teeth. Slide jet tip along gumline and pause briefly between teeth. Continue the process until all areas around and between the teeth have been cleaned.



Pause Control

You can temporarily stop the flow at anytime by slide down button on the handle.



When finished

Turn the unit off, any fluids left in the reservoir. Unplug the unit.



08

Electric toothbrush instructions

FUNCTION



CHARGING INSTRUCTIONS



- Make sure the appliance is switched off when you start to charge it.
- Place the toothbrush on the charge base, and make sure the power is connected. It starts to charge when the charge indicator turns to blinking. The charge is done when the charge light discontinues blink and turns to constant light.
- Charge indicator may not come to work instantly when you charge after appliance has been unused a long period of time. It will be back on in 4-10 minutes.
- If the toothbrush has been unused for more than 6 weeks, charge it at least 12 hours to reach a full-charge.
- If you brush two times a day (morning & night), and two minutes a time, the toothbrush conveniently run for 21 days on a full-charge.
- The toothbrush head is recommended to be replaced after three months.

Tips to prolong the battery lifetime

- Switch on to check if the battery is empty upon the first time you receive the appliance.
- If there is power, run it out before the first charge.
- After the start of charging, continue charging for 5-7 hours can be directly taken off the use.
- Fully discharge appliance at least once a year.

GET STARTED



Insert the brush head to the case when a certain gap must be left between for the correct situation.



Place the bristles against the teeth at 45 degree towards the gumline.



Wet the bristles and apply a certain amount of toothpaste.



Move the bristles slowly in circular motion. Do not scrub teeth, but apply light pressure to let it do the brushing for you.



Soak it before putting it in to the mouth, press and hold the switch for 2 seconds start the toothbrush and press your own choice the right gear for your needs.



Please rinse your mouth with water after brushing. Then hold the switch for 3 seconds to turn off toothbrush.

BRUSHING TIME



The timer features 30-second intervals for the full dental recommended 2 minutes of brushing. There is a short pause after each interval reminding you to switch to a different area.

Five Modes

Clean: 2-minute standard cleaning. **White:** Effectively remove dental plaque and whiten your gum. **Sensitive:** For mild and sensitive teeth and gum. **Massage:** Effective gum massage. **Gum Care:** Care for your teeth, deep cleaning.

Introduction to the jet tips

Periodontal Tip

The periodontal tip can direct water in liquid oral medicines in specific locations beneath the gum lining.



Ordinary High-Pressure Tip

Flusses deep locations within the oral cavity with a 360 degree range, supplementarily covering places which are hard to clean, food scraps and harmful bacteria located deep within dental visits or beneath the gum. This provides you with a pleasant dental experience.



Tongue Cleaner Tip

Place the tongue scraper on the tongue before switching on the Oral Irrigator. Lightly place the tongue scraper on the dense rear part of the tongue, lightly pulling it forwards while keeping it in contact with the surface of the tongue.



Dental Plaque Tip

Dental plaque is a group of bacteria that stick to the surface of the teeth yet has not mineralized. The jet tip is very effective at preventing dental plaque. This special-use dental plaque tip is for cleaning areas which is difficult to reach or braces and other dental devices.



Orthodontic Tip

The special Orthodontic Tip is uniquely designed to simultaneously brush and flow hard-to-reach areas around braces and other dental work. To use the Orthodontic Tip, lean low over the wire and use the brush bristles to clean around dental work. Water will flow through the brush to ease away any debris that is removed.



Electric Toothbrush Head

The brush head is designed according to the tooth cleaning tool, which is different from the traditional toothbrush, just covers the whole tooth, and can thoroughly clean the surface of each tooth, the inner tooth and the plaque hidden between the gum gap, and will not hurt. Airt gums.



Red teeth cleaning and maintenance

Cleaning

After using any special solution in the reservoir, take a moment after every use to rinse the unit.

Partially fill the reservoir with warm tap water, aim the jet tip into your sink, turn on the unit and let it run until the reservoir is empty. This will help keep the tip from clogging and help your unit to last longer.

Clean the product when necessary by using a soft cloth and mild non-abrasive cleanser.

Before cleaning, please unplug from the electrical outlet.

Before exposing the dental jet to freezing temperatures, remove the reservoir and run the unit until completely empty.

Service Maintenance

1. After using the oral irrigator, be sure to unplug the power cord, and the tank upside down on a flat surface, when the water is completely dry, put it into a cool, dry place together with the disinfectant dry box. It should be placed in the box or similar storage whenever in use for a long time.
2. When a reactive malfunction, you can contact the seller to inquiry related maintenance methods.
3. Do not disassemble or attempt to resolve this product resulting in any problem, not within the company's warranty.
4. When the power cord is damaged, go to our designated service point or related maintenance shop for maintenance. Do not replace the power cord or plug yourself.
5. If the product is out of the warranty period, we will provide repairing service as well, we will charge the cost of materials appropriately and small amount of labor cost.

13

Electric toothbrush cleaning and maintenance

MAINTENANCE INSTRUCTIONS



Clean the Brush Head

Rinse to remove residue after every brushing and let it air-dry. Do not rub the bristles to avoid distortion.



Clean the Handle

Rinse to remove residue after every brushing and dry with a soft cloth.

Do not immerse the toothbrush into water. Do not clean the toothbrush with water higher than 40°C or corrosive cleanser.



Replace the Brush Head

Dental professional recommends replacing your toothbrush head every 3 months for the best brushing results.

Also replace the brush head when the bristles get to be worn outwards.

14

Common Problems and Solutions

Problem	Cause	Solution
All Tip and Trigger Cleaners Lockup Between the Tip and Handle Area	Tip not fully engaged	Remove tip and reinsert
Performance Tip/air is soft to	Tip is loose	Replace with new tip
The trigger does not fit in the handle area	Damage to the hose	Can be replaced by trigger for a self-replacement kit
Reservoir leaks	Mixing water tank caps or water tank valve is opened loose	Replace Reservoir (disassemble the upper) Turn the valve right side up
Inadequate pressure	Overrun out	Be sure outlet is working and with another replacement (optional) reset (optional) or self-repair
Unit without water flow out	positioned properly when not running	It's not necessary
Operation weakened	1. The handle is overextended 2. The brush head is held too tight	1. Do not press the handle with too much force 2. Resonance the brush head after slow up, and make sure it fixed with a certain perpendicular
The toothbrush can only vibrate a short time	1. The toothbrush has been installed more than 9 months 2. Insufficient charge 3. Insufficient charge time	1. Make sure the toothbrush replaced vertically on the designated grid for charge or connected 2. Charge 90 the indicator starts
The toothbrush dental cord is off	1. Over-heating before 2. Battery has almost reached its lifetime	Contact your dealer for further inspection

15

Warranty description

Many thanks for purchasing our oral irrigator! Please keep a valid sales voucher as a basis for warranty.

1. This product according to the relevant provisions of the state, free to repair the goods without human factor damage during 1 year.
2. During the warranty period, the cost and service charges will be charged as appropriate.
 - Consumers due to the use, maintenance, improper storage/damage;
 - Non-compliance to repair the three parts of repair damage;
 - No relevant sales vouchers and more than one year of productive date damage;
 - Used for commercial use to cause damage. Damage caused by force majeure (such as lightning, earthquakes, fire, etc.).
3. Please fill out the form below carefully, send back to our company designated maintenance place.

16