



WARNING:
CHOKING HAZARD-Small parts.
Not for children under 3 years.

SKU: 571452 • AGES 3+ • ADULT ASSEMBLY REQUIRED

WATCH THE CHALET ASSEMBLY VIDEO:
LOLSURPRISE.COM



* DOLLS NOT INCLUDED. SEE CONTENTS FOR INCLUDED ITEMS.

Illustrations are for reference only. Styles may vary from actual contents.

- WARNING:**
- ADULT ASSEMBLY REQUIRED.
 - ADULT SUPERVISION IS REQUIRED when children are playing in or around water.
 - Prior to assembly, this package contains small parts: screws which are a choking hazard and may contain sharp edges and sharp points. Keep away from children until assembled.
 - Avoid placing the unit on an uneven surface or anywhere which might offer the possibility of tipping.
 - Do not sit, stand, or jump on the unit, as doing so may result in bodily injury and/or damage to the unit.
 - Not suitable for children under 3 years of age due to size limitations.
 - Remove pull tabs from the toilet and fireplace before use.
 - Do not use water with the toilet.
 - Always empty water from the pool and ice rink and dry thoroughly before storing.
 - Only apply stickers to the included house and accessories, as adhesive may not be completely removed from all surfaces.

Please keep this manual as it contains important information.



www.LOLsurprise.com
©2020 MGA Entertainment, Inc.
L.O.L. SURPRISE!™ and L.O.L. SURPRISE! O.M.G. OUTRAGEOUS MILLENNIAL GIRLS™ are trademarks of MGA in the U.S. and other countries. All logos, names, characters, likenesses, images, slogans, and packaging appearance are the property of MGA.

The preferred method of contact for Customer Service is through our e-mail contact form at www.mgae.com

0620-0-E/INT
Printed in China

MGA Entertainment, Inc.
9220 Winnetka Ave. Chatsworth, CA 91311 U.S.A.
(800) 222-4685

MGA Entertainment UK Ltd.
50 Presley Way, Crownhill, Milton Keynes,
MK8 0ES, Bucks, UK
+ 0800 521 558

MGA Entertainment (Netherlands) B.V.
Baronie 68-70, 2404XG Alphen a/d Rijn, The Netherlands
Tel: +31 (0) 172 758038
E-mail: klantenservice@mgae.com

Imported by MGA Entertainment Australia Pty Ltd
Suite 2.02, 32 Delhi Road
Macquarie Park NSW 2113
1300 059 676

CONTENTS

Before assembling, ensure you have all pieces.

Some furniture assembly may be required prior to assembling the unit.

A	B	C x 2	D	E	F
G	H	I	J	K	L
M	N	O	P	Q	R
S	① x 46	② x 2	③	④	⑤
⑥	⑦	⑧	⑨	⑩	⑪
⑫	⑬		⑭		
⑮		⑯	⑰	⑱	⑲
⑳	㉑	㉒	㉓	㉔	㉕
㉖	㉗	㉘	㉙	㉚	㉛

SKATING RINK



Fill with water in the shaded areas shown above. Then, place in the freezer. Wait until it is frozen and place over the base. DO NOT OVERFILL INTO THE SKATING RINK TRACK.

Place dressed doll (not included) on the stand and insert the stand on the skating rink track.

Use ski boots for fashion dolls (not included).




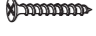




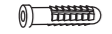

IMPORTANT INFORMATION

- Keep dirt away from furniture with fabric and blankets.
- Allow the ice on the skating rink to melt and pour out the water. Pour out the water from the pool when done playing. Air dry thoroughly before storing.
- Turn off items with batteries after every use to conserve battery power.
- Only the pool and skating rink are designed to be played with water. Keep water away from other contents.

WALL MOUNTING ASSEMBLY

- For added safety and stability, install the wall mounting hardware.
- Always use wall anchors appropriate to your wall type, like plaster, drywall, concrete, etc.
- When possible, mount to wood studs.
- Consult a qualified professional for mounting.

HARDWARE

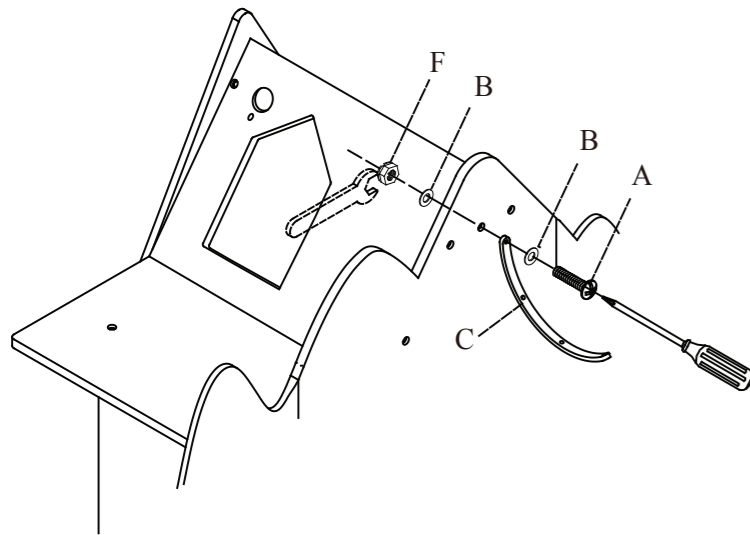
- | | |
|---|---|
| A. Screw | E. Wood Screw |
|  |  |
| B. Small Washer x 2 | F. Nut |
|  |  |
| C. Plastic Strip | G. Large Washer |
|  |  |
| D. Plastic Anchor | H. Wrench |
|  |  |

NOT INCLUDED



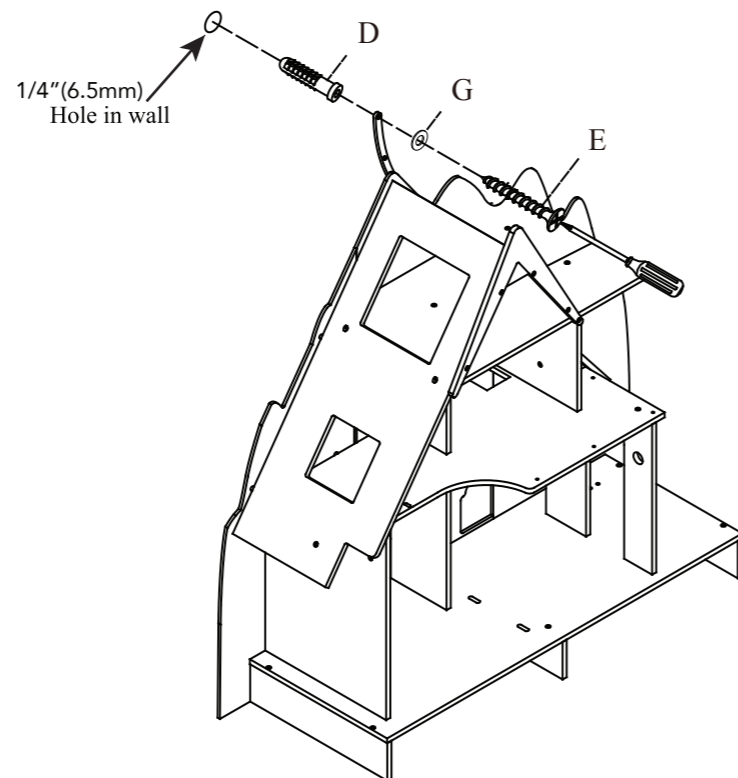
1

Attach the plastic strip to the back of the product. There is a pre-drilled hole on the house's backboard (O).



2

- Use a 1/4" (6.5 mm) drill bit to drill a pilot hole in the wall.
- DO NOT drill an oversized hole, or the anchor will not hold tightly to the wall.
- Tap the wall anchor into the hole.
- Secure the house to the wall with a screw (E) through the plastic strip and into the wall anchor.



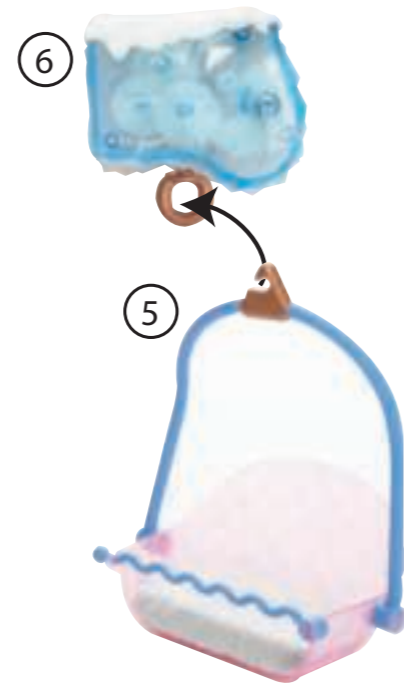
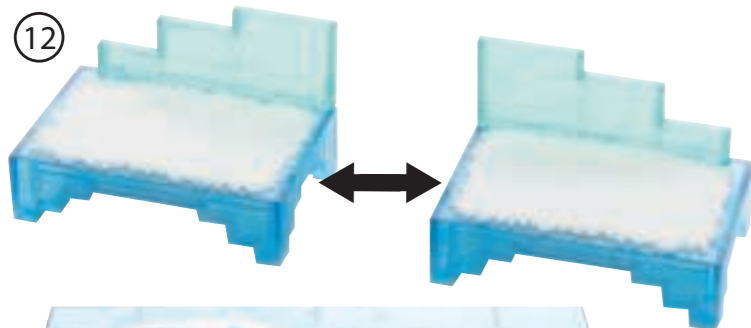
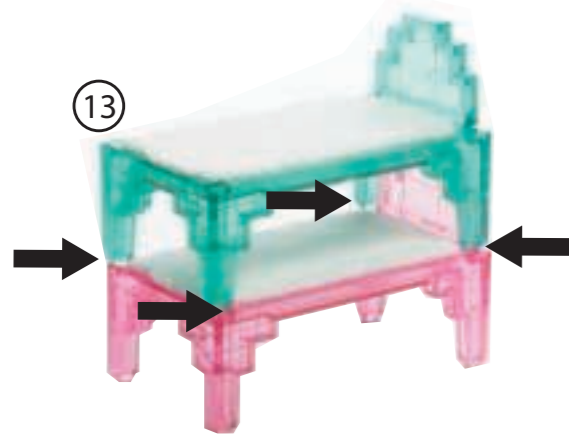
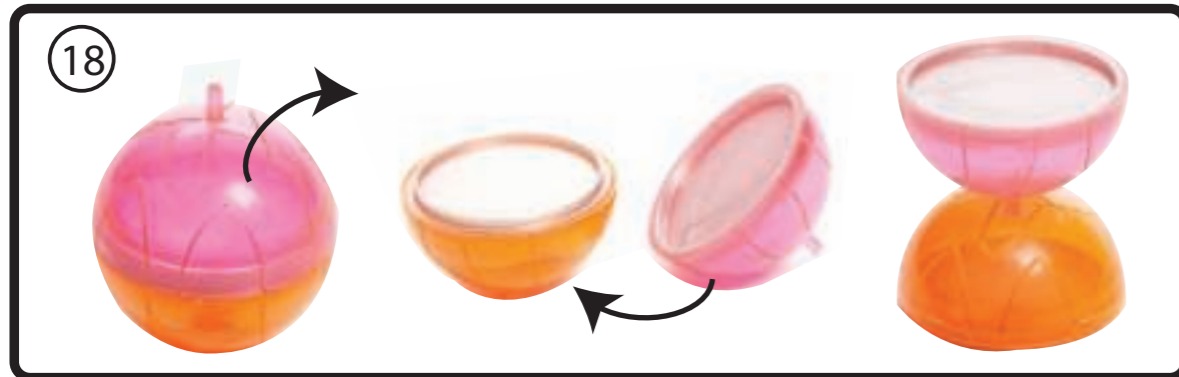
⚠ WARNING:

- DO NOT install on a wall where items can fall off and injure a child.
- CHOKING HAZARD: Unassembled parts may be a choking hazard to children 3 years and younger.
- Adult assembly required. Hardware contains small screws with sharp points. Keep unassembled parts out of reach of small children.
- Serious or fatal injuries can occur from furniture tipping over. To prevent the product from tipping:
 - Use mounting hardware to secure the house to a wall. This will reduce, but NOT eliminate, the risk of tipping over.
 - DO NOT allow children to climb on the house.
 - Keep remote controls, toys, and other items that might attract children away from this product.
 - DO NOT place heavy items, like televisions, on top of this product.

CONTENTS

FURNITURE ASSEMBLY



SAFE BATTERY USAGE

- Use alkaline batteries for best performance and longer life.
- Use only the battery type recommended for the unit.
- Batteries should be replaced only by an adult.
- Insert batteries with the correct polarity (+ and -).
- Do not mix old and new batteries.
- Do not mix alkaline, standard (carbon-zinc), or rechargeable batteries.
- Do not short-circuit batteries.
- When not used for an extended time, remove batteries to prevent possible leakage and damage to the unit.
- Do not mix rechargeable and non-rechargeable batteries.
- Rechargeable batteries are to be removed from the toy before charging.
- Rechargeable batteries are to be recharged only under adult supervision.
- Do not recharge non-rechargeable batteries.
- Exhausted batteries are to be removed from the toy.
- Do not dispose of batteries in fire as they may leak or explode.

FCC COMPLIANCE

NOTE: This equipment has been tested and found to comply with the limits for a Class B digital device, pursuant to Part 15 of the FCC Rules. These limits are designed to provide reasonable protection against harmful interference in a residential installation. This equipment generates, uses and can radiate radio frequency energy and, if not installed and used in accordance with the instructions, may cause harmful interference to radio communications. However, there is no guarantee that interference will not occur in a particular installation. If this equipment does cause harmful interference to radio or television reception, which can be determined by turning the equipment off and on, the user is encouraged to try to correct the interference by one or more of the following measures:

- Reorient or relocate the receiving antenna.
- Increase the separation between the equipment and receiver.
- Connect the equipment into an outlet on a circuit different from that to which the receiver is connected.
- Consult the dealer or an experienced radio/TV technician for help.

This device complies with Part 15 of the FCC Rules. Operation is subject to the following two conditions: (1) This device may not cause harmful interference, and (2) this device must accept any interference received, including interference that may cause undesired operation.

Caution: Modifications not authorized by the manufacturer may void users authority to operate this device. CAN ICES-3 (B)/NMB-3(B).

⚠ WARNING:

This product contains a Button or Coin Cell Battery. A swallowed Button or Coin Cell Battery can cause internal chemical burns in as little as two hours and lead to death. Dispose of used batteries immediately. Keep new and used batteries away from children. If you think batteries might have been swallowed or placed inside any part of the body, seek immediate medical attention.

IMPORTANT NOTES ABOUT BUTTON BATTERIES

- WARNING - KEEP BATTERIES OUT OF REACH OF CHILDREN

- Swallowing may lead to serious injury in as little as 2 hours or death, due to chemical burns and potential perforation of the esophagus.
- If you suspect your child has swallowed or inserted a button battery immediately call the 24-hour Poisons Information Centre on 13 1126 (Australia)/ your local emergency services for fast, expert advice.
- Examine devices and make sure the battery compartment is correctly secured, e.g. that the screw or other mechanical fastener is tightened. Do not use if compartment is not secure.
- Dispose of used button batteries immediately and safely. Flat batteries can still be dangerous.
- Adults shall tell potential users about the risk of button batteries and keep their children away from button cell. Adult supervision is required.



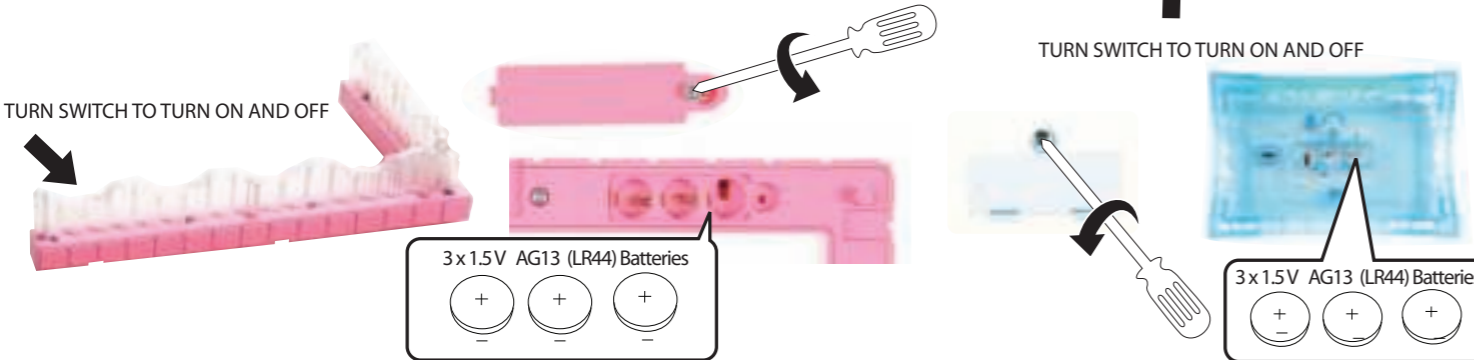
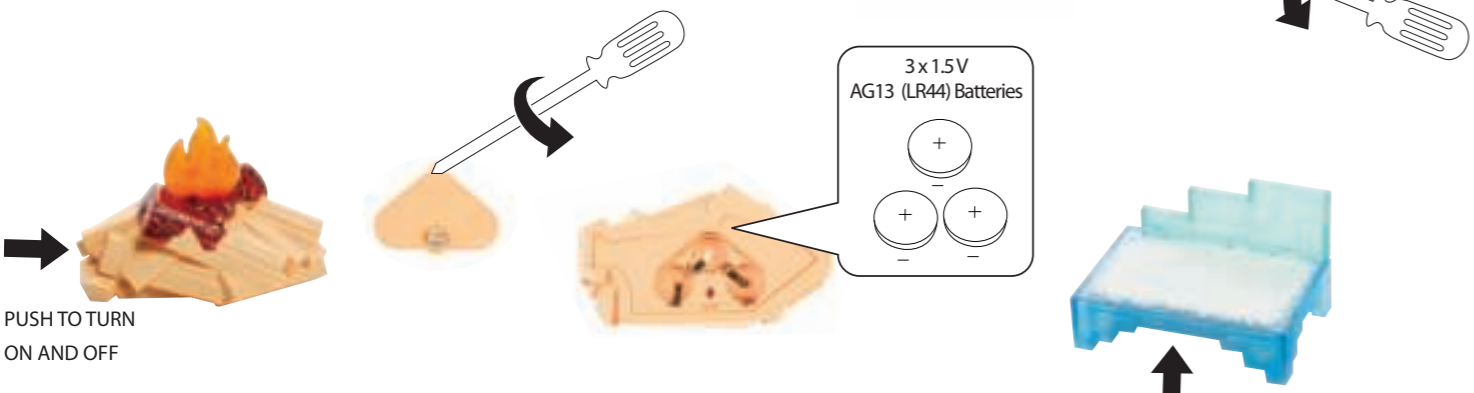
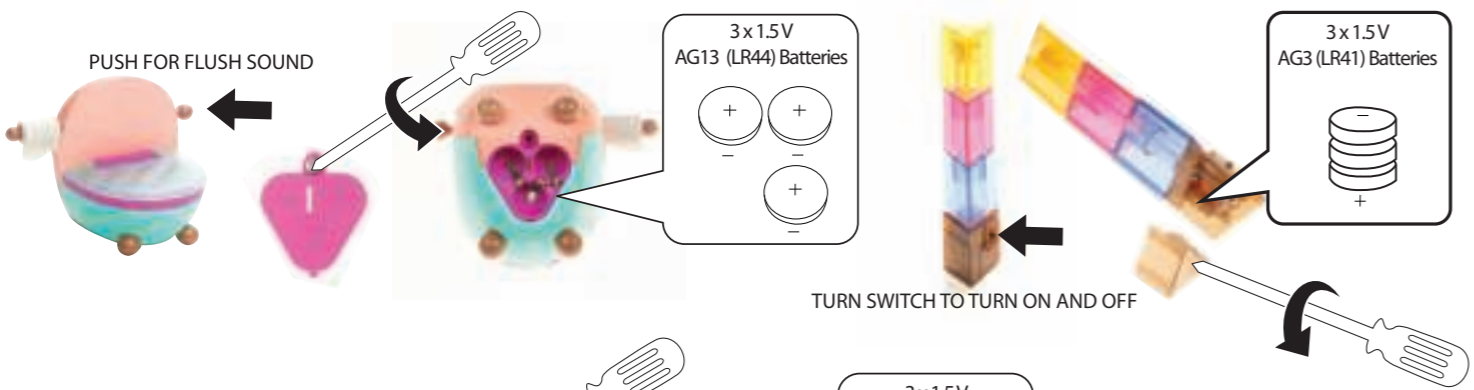
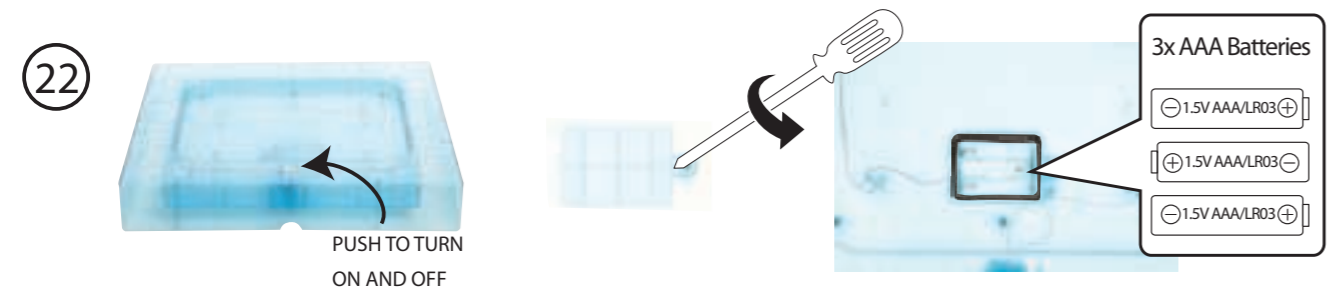
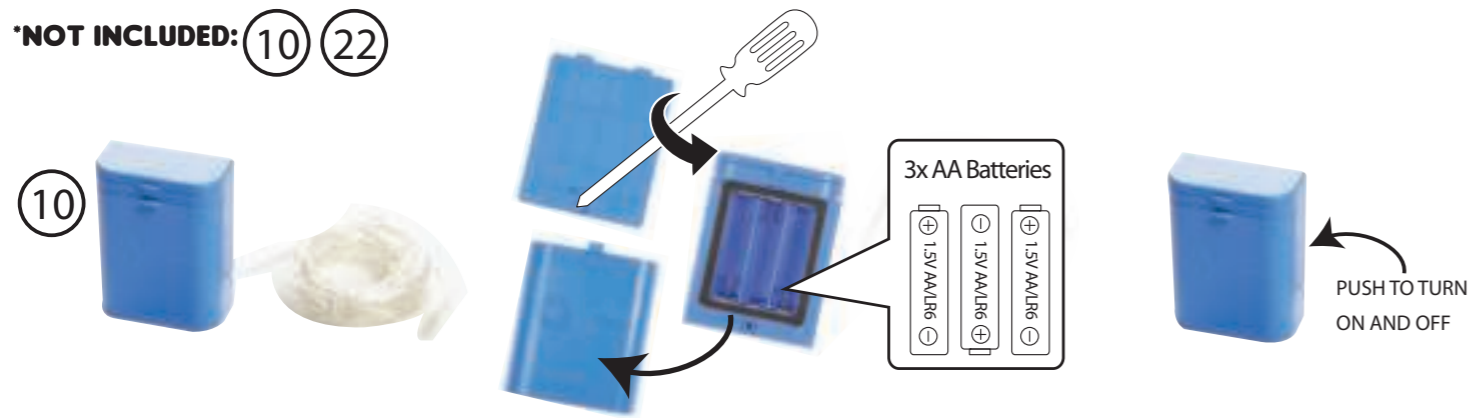
'Let's care for the environment!'

The wheelie bin symbol indicates that the product must not be disposed of with other household waste. Please use designated collection points or recycling facilities when disposing of the item.

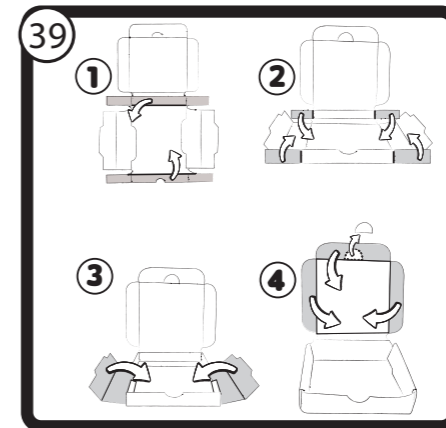
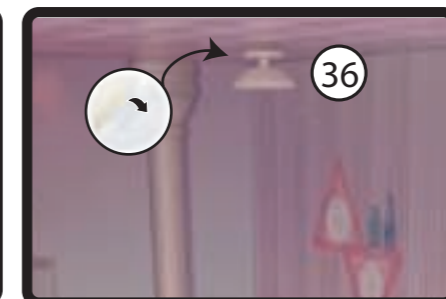
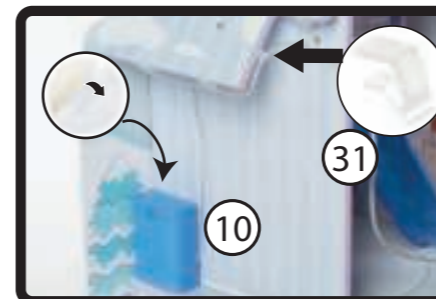
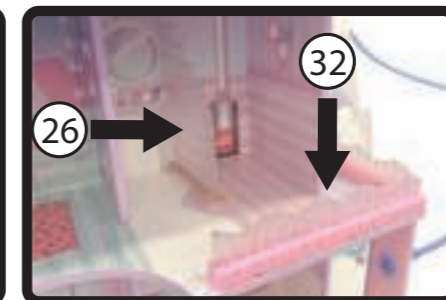
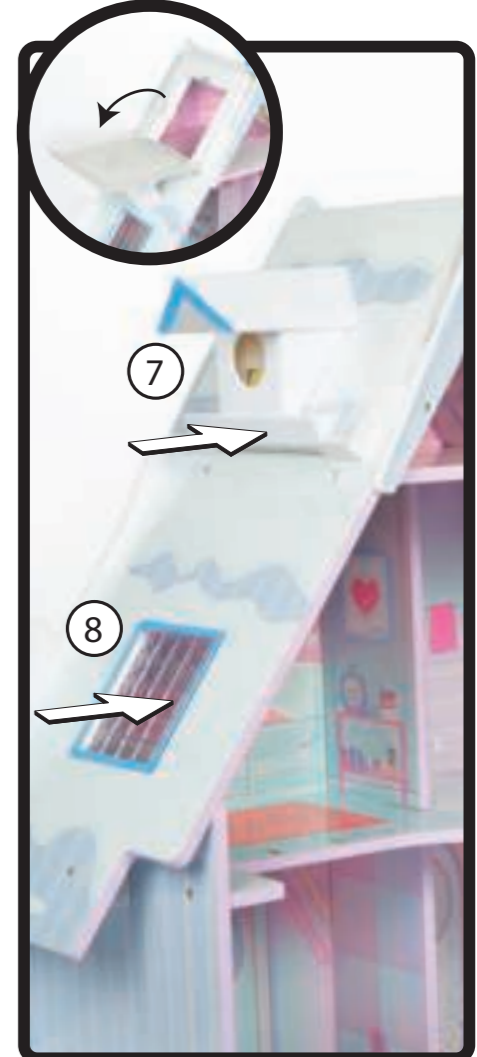
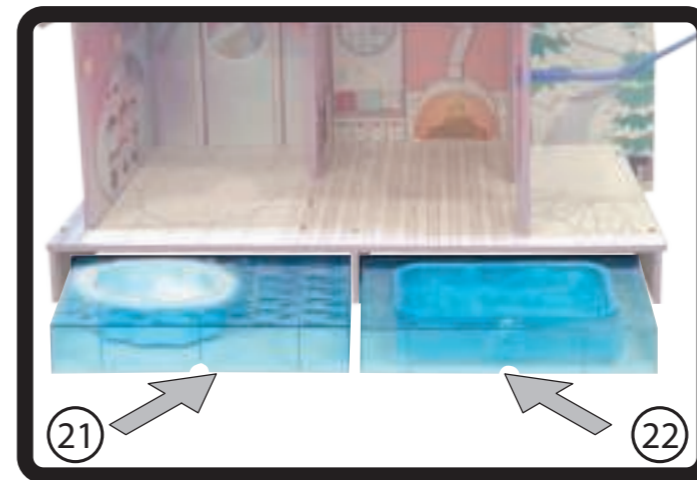
Do not treat old batteries as household waste. Take them to a designated recycling facility.

BATTERY INSTALLATION AND REPLACEMENT INFORMATION

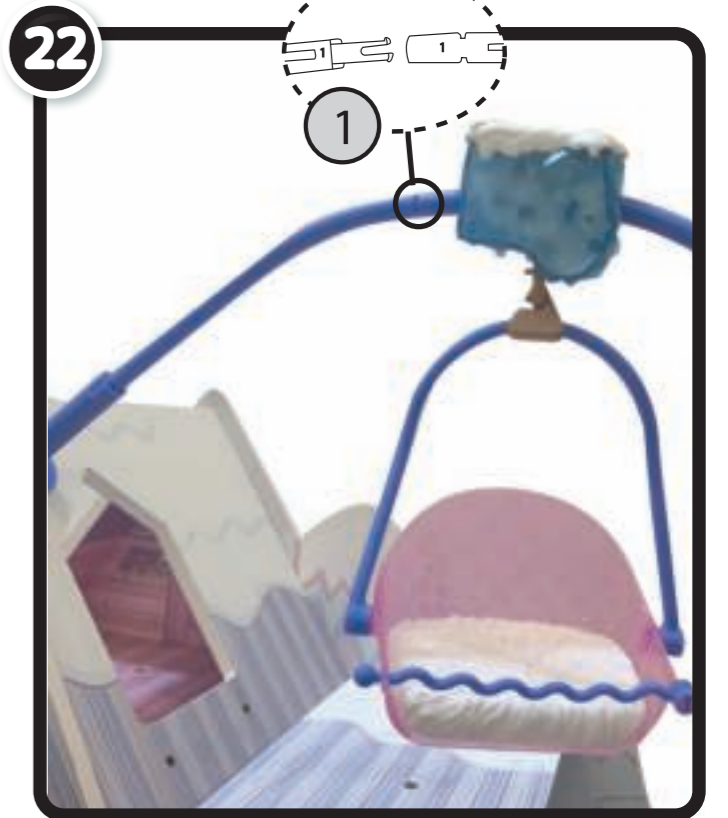
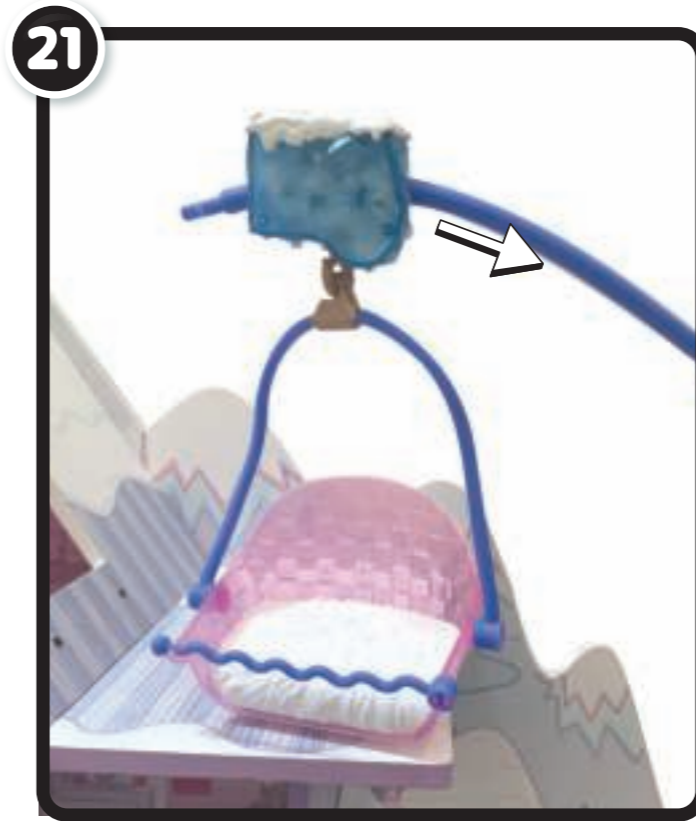
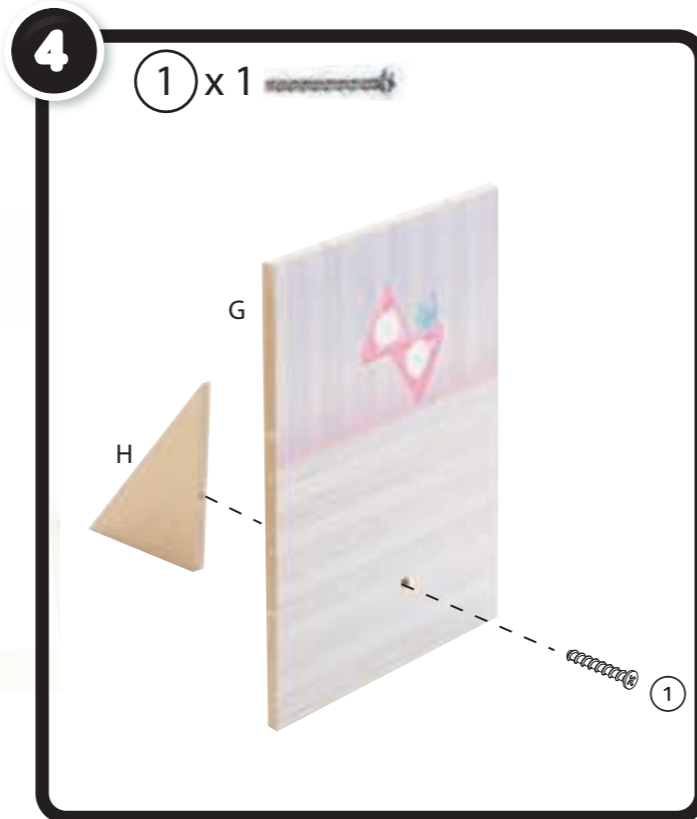
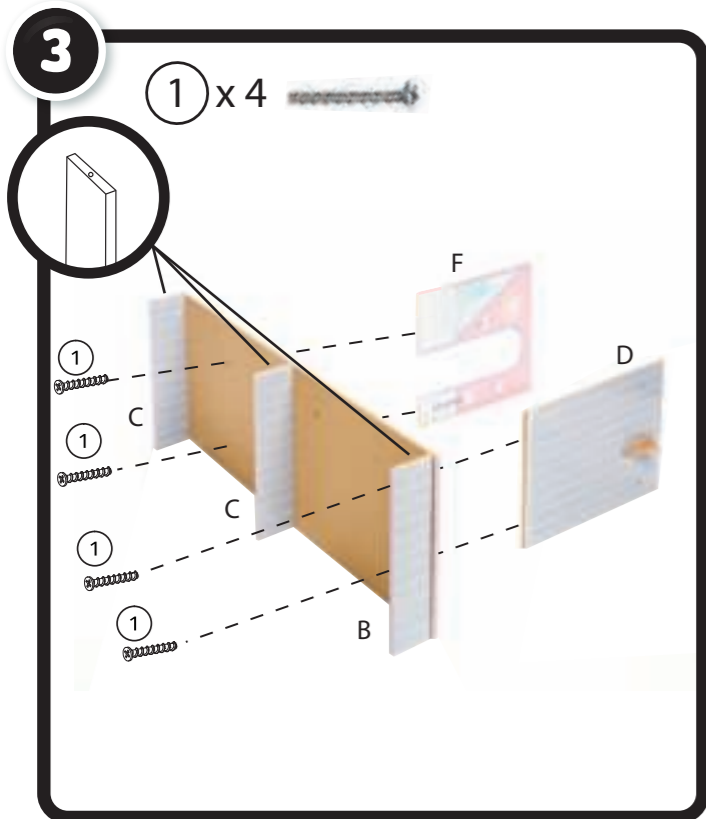
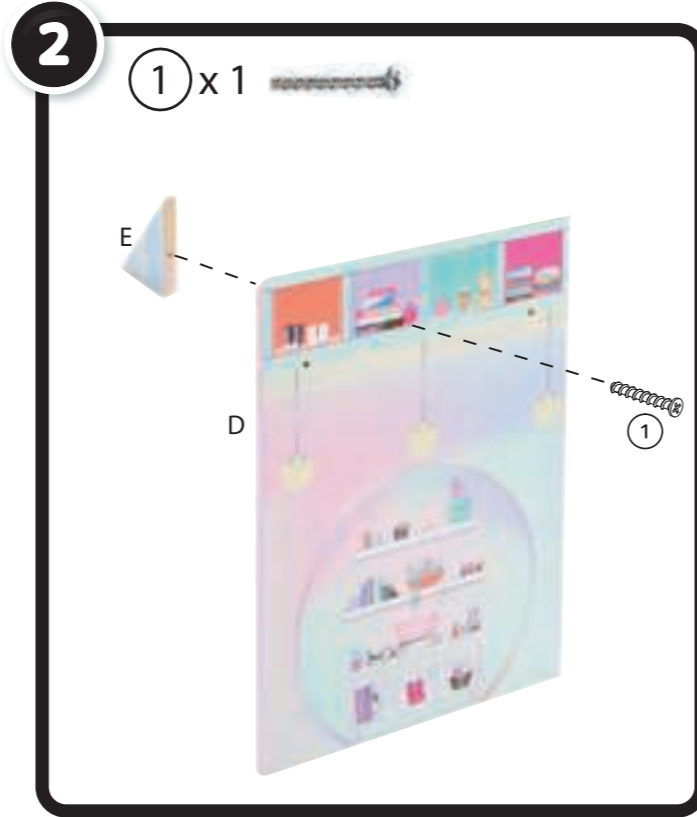
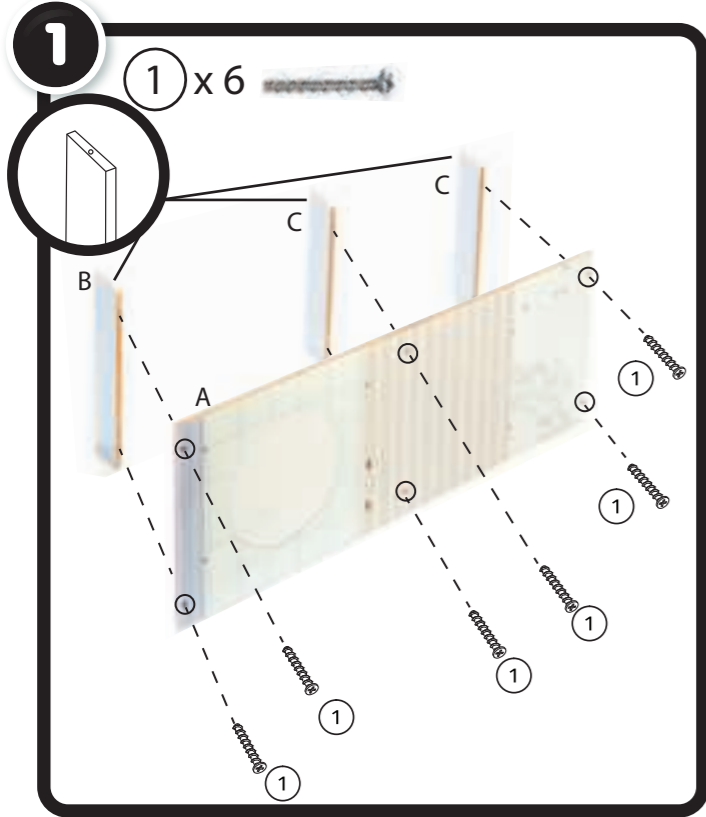
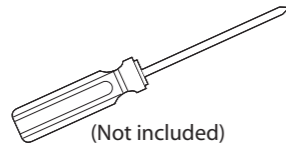
*NOT INCLUDED: (10) (22)



* AFTER ASSEMBLY

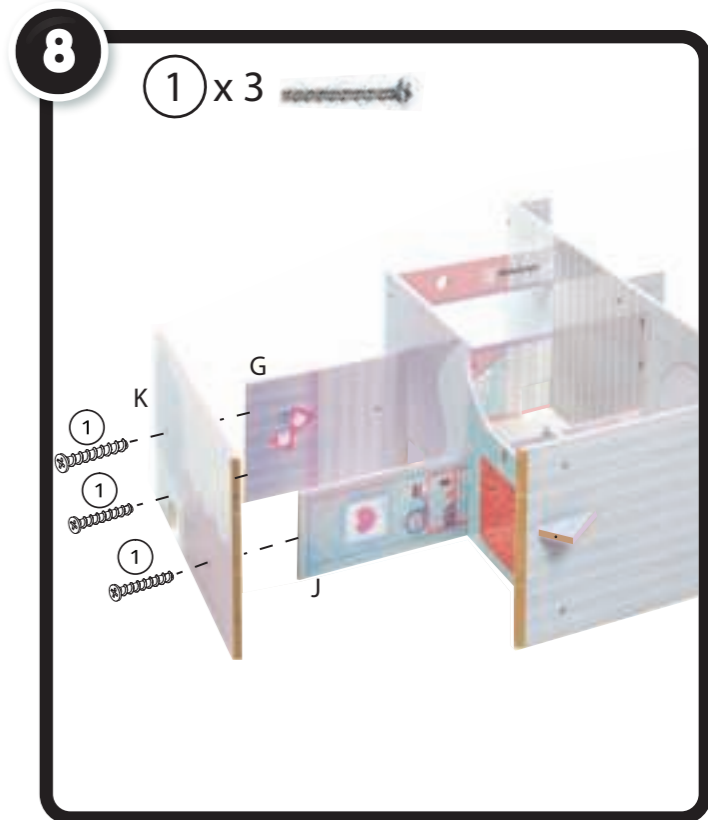
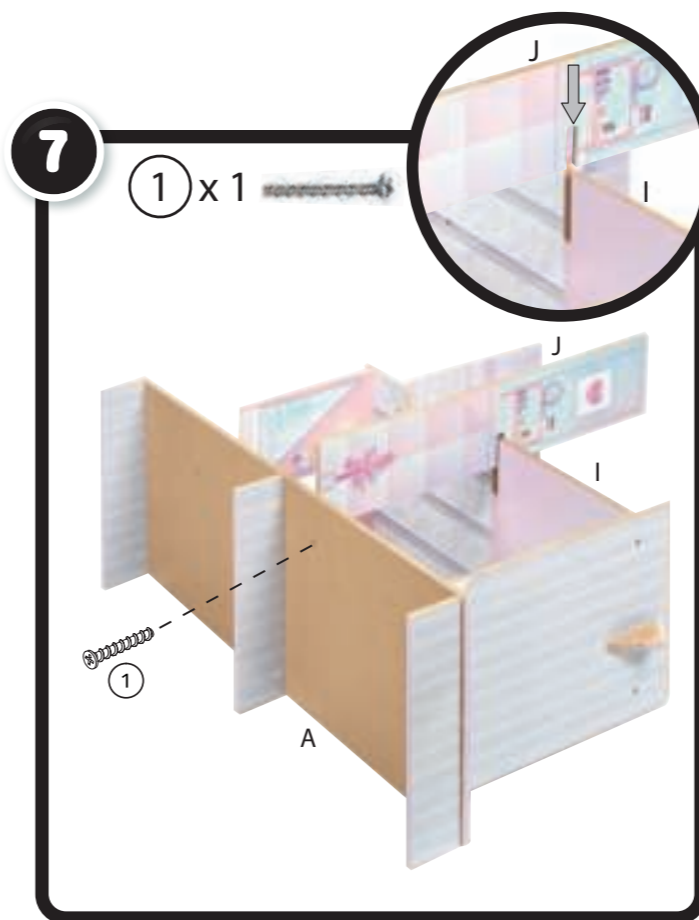
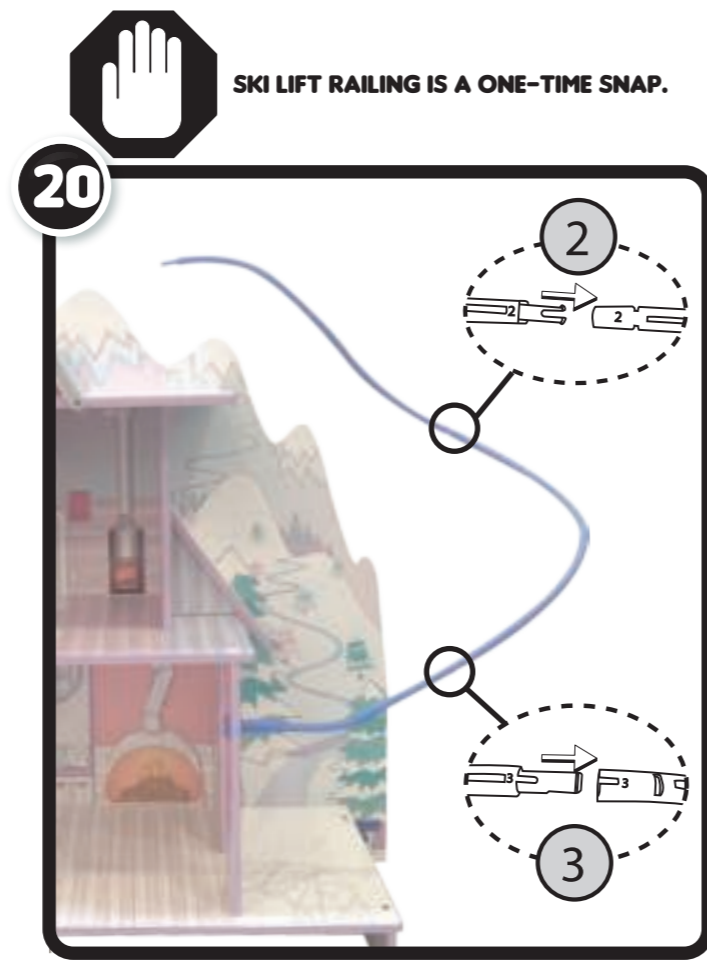
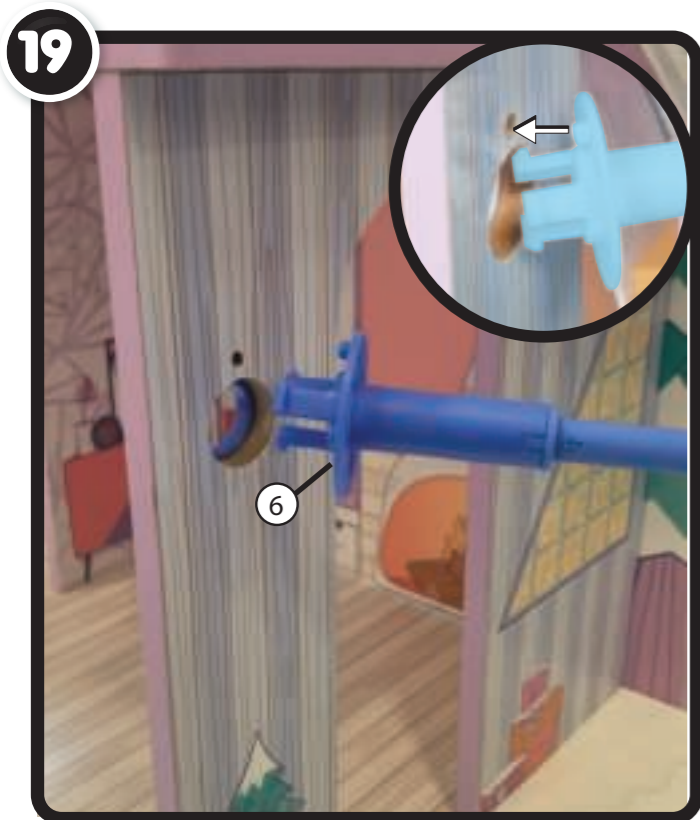
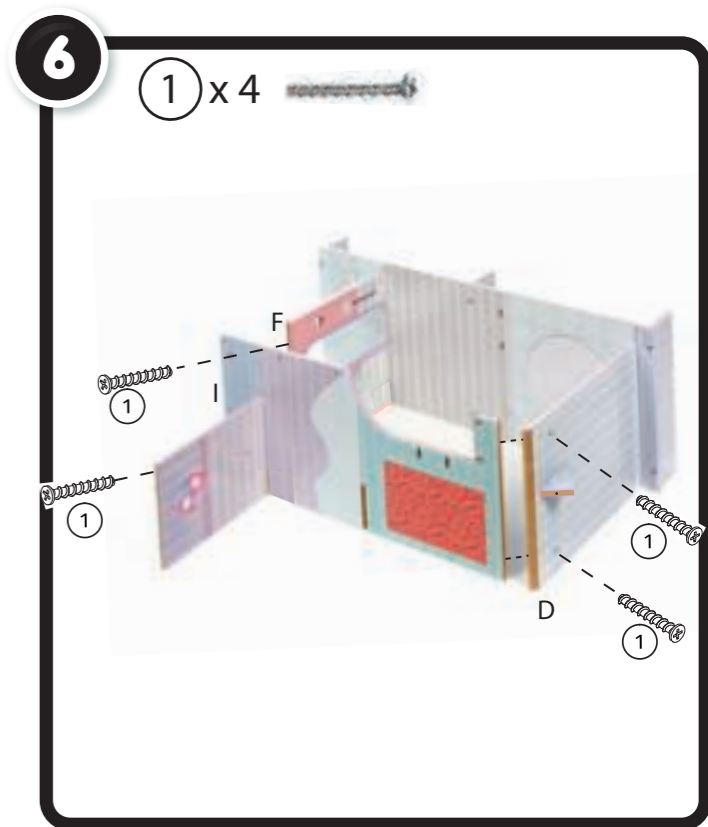
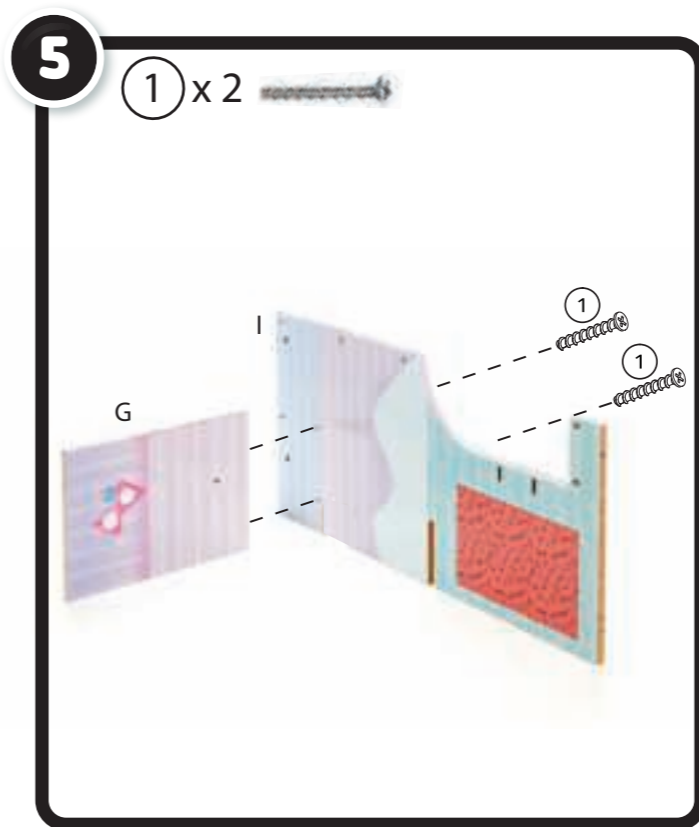
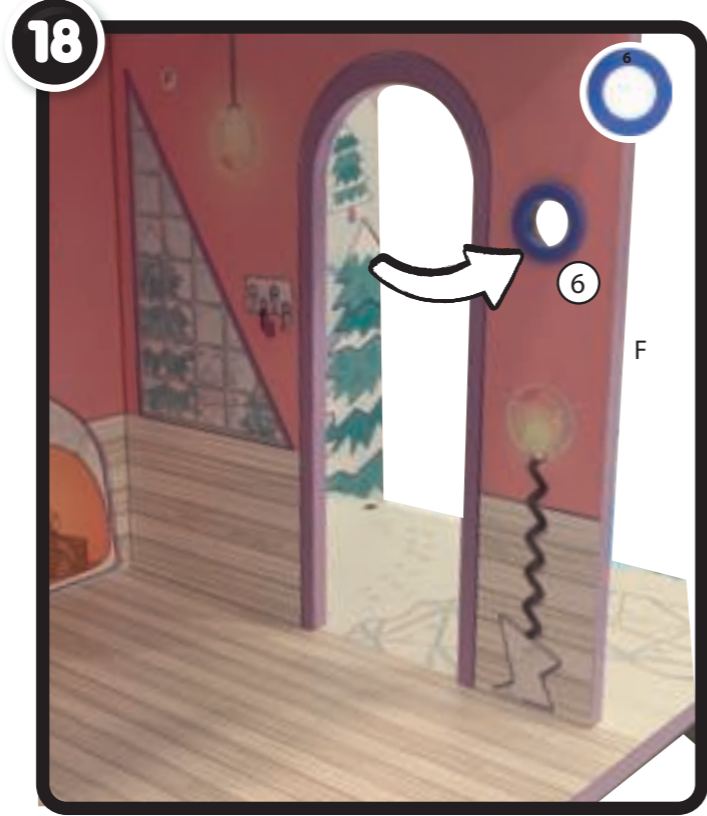


ADULT ASSEMBLY REQUIRED



INSERT DOLL IN SKI LIFT AND PUSH TO ACTIVATE SKI LIFT.





*FLIP OVER TO ADD J.

