

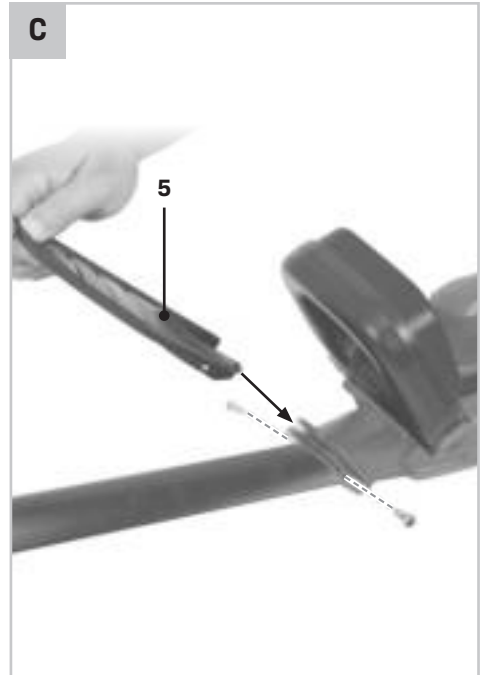
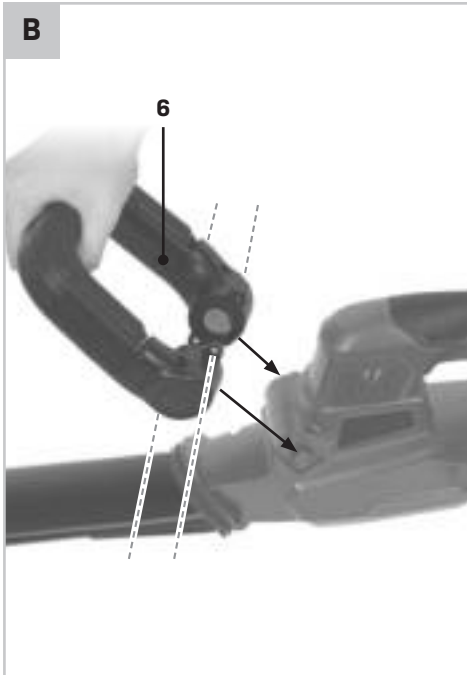
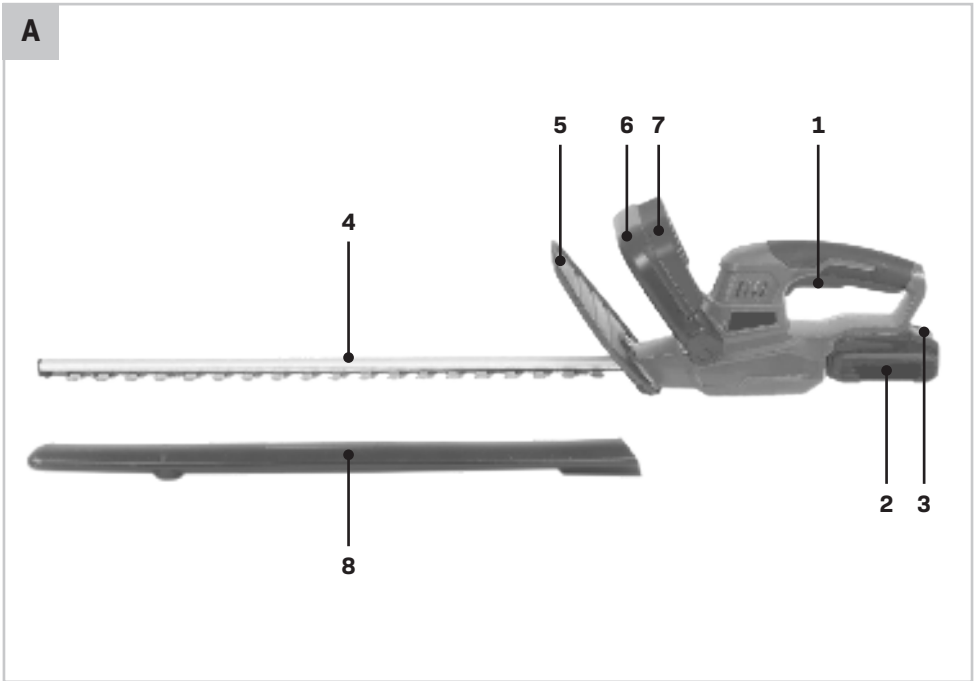


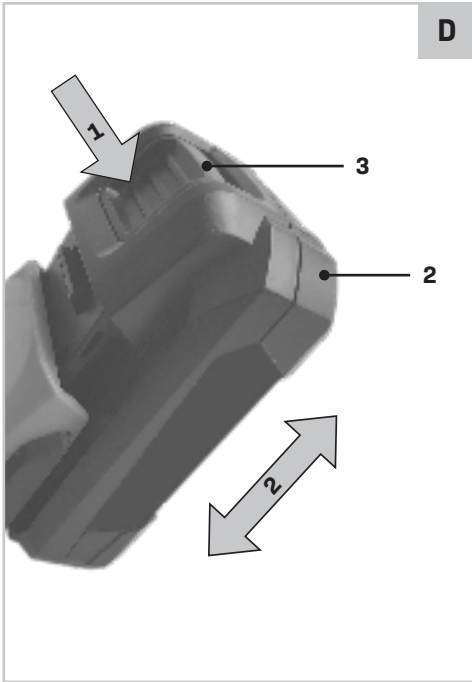
VONROC®
BUILD YOUR FUTURE

HEDGE TRIMMER HT501DC



EN	Original Instructions	04
DE	Übersetzung Der Originalbetriebsanleitung	09
NL	Vertaling van de oorspronkelijke gebruiksaanwijzing	16
FR	Traduction de la notice originale	22
ES	Traducción del manual original	29
IT	Traduzione delle istruzioni originali	35
PL	Tłumaczenie instrukcji oryginalnej	41





1. SAFETY INSTRUCTIONS

Read the enclosed safety warnings, the additional safety warnings and the instructions. Failure to follow the safety warnings and the instructions may result in electric shock, fire and/or serious injury. Save the safety warnings and the instructions for future reference.

The following symbols are used in the user manual or on the product:



Read the user manual.



Denotes risk of personal injury, loss of life or damage to the tool in case of non-observance of the instructions in this manual.



Risk of flying objects. Keep bystanders away from the work area.



Do not expose to rain.



*Wear safety goggles.
Wear hearing protection.*



Wear safety gloves.



Before cleaning and maintenance, always switch off the machine and remove the battery pack from the machine.



Do not dispose of the product in unsuitable containers.



The product is in accordance with the applicable safety standards in the European directives.

GENERAL POWER TOOL SAFETY WARNINGS



WARNING! Read all safety warnings and all instructions. Failure to follow the warnings and instructions may result in electric shock, fire and/or serious injury.

Save all warnings and instructions for future reference. The term “power tool” in the warnings refers to your mains-operated (corded) power tool or battery-operated (cordless) power tool.

- 1) **Work area safety**
 - a) **Keep the work area clean and well lit.** Cluttered or dark areas invite accidents.
 - b) **Do not operate power tools in explosive atmospheres, such as in the presence of flammable liquids, gases or dust.** Power tools create sparks which may ignite the dust or fumes.
 - c) **Keep children and bystanders away while operating a power tool.** Distractions can cause you to lose control.

- 2) **Electrical safety**
 - a) **Power tool plugs must match the outlet. Never modify the plug in any way. Do not use any adapter plugs with earthed (grounded) power tools.** Unmodified plugs and matching outlets will reduce risk of electric shock.
 - b) **Avoid body contact with earthed or grounded surfaces, such as pipes, radiators, ranges and refrigerators.** There is an increased risk of electric shock if your body is earthed or grounded.
 - c) **Do not expose power tools to rain or wet conditions.** Water entering a power tool will increase the risk of electric shock.
 - d) **Do not abuse the cord. Never use the cord for carrying, pulling or unplugging the power tool. Keep cord away from heat, oil, sharp edges or moving parts.** Damaged or entangled cords increase the risk of electric shock.
 - e) **When operating a power tool outdoors, use an extension cord suitable for outdoor use.** Use of a cord suitable for outdoor use reduces the risk of electric shock.
 - f) **If operating a power tool in a damp location is unavoidable, use a residual current device (RCD) protected supply.** Use of an RCD reduces the risk of electric shock.

- 3) **Personal safety**
 - a) **Stay alert, watch what you are doing and use common sense when operating a power tool. Do not use a power tool while you are tired or under the influence of drugs, alcohol or medication.** A moment of inattention while operating power tools may result in serious personal injury.
 - b) **Use personal protective equipment. Always wear eye protection.** Protective equipment such as dust mask, non-skid safety shoes, hard hat, or hearing protection used for appropriate conditions will reduce personal injuries.

- c) **Prevent unintentional starting. Ensure the switch is in the off-position before connecting to power source and/or battery pack, picking up or carrying the tool.** Carrying power tools with your finger on the switch or energising power tools that have the switch on invites accidents.
 - d) **Remove any adjusting key or wrench before turning the power tool on.** A wrench or a key left attached to a rotating part of the power tool may result in personal injury.
 - e) **Do not overreach. Keep proper footing and balance at all times.** This enables better control of the power tool in unexpected situations.
 - f) **Dress properly. Do not wear loose clothing or jewellery. Keep your hair, clothing and gloves away from moving parts.** Loose clothes, jewellery or long hair can be caught in moving parts.
 - g) **If devices are provided for the connection of dust extraction and collection facilities, ensure these are connected and properly used.** Use of dust collection can reduce dust related hazards.
 - h) **Do not let familiarity gained from frequent use of tools allow you to become complacent and ignore tool safety principles.** A careless action can cause severe injury within a fraction of a second.
- 4) Power tool use and care**
- a) **Do not force the power tool. Use the correct power tool for your application.** The correct power tool will do the job better and safer at the rate for which it was designed.
 - b) **Do not use the power tool if the switch does not turn it on and off.** Any power tool that cannot be controlled with the switch is dangerous and must be repaired.
 - c) **Disconnect the plug from the power source and/or the battery pack from the power tool before making any adjustments, changing accessories, or storing power tools.** Such preventive safety measures reduce the risk of starting the power tool accidentally.
 - d) **Store idle power tools out of the reach of children and do not allow persons unfamiliar with the power tool or these instructions to operate the power tool.** Power tools are dangerous in the hands of untrained users.
 - e) **Maintain power tools. Check for misalignment or binding of moving parts, breakage of parts and any other condition that may affect the power tool's operation. If damaged, have the power tool repaired before use.** Many accidents are caused by poorly maintained power tools.
 - f) **Keep cutting tools sharp and clean.** Properly maintained cutting tools with sharp cutting edges are less likely to bind and are easier to control.
 - g) **Use the power tool, accessories and tool bits etc. in accordance with these instructions, taking into account the working conditions and the work to be performed.** Use of the power tool for operations different from those intended could result in a hazardous situation.
 - h) **Keep handles and grasping surfaces dry, clean and free from oil and grease.** Slippery handles and grasping surfaces do not allow for safe handling and control of the tool in unexpected situations.
- 5) Battery tool use and care**
- a) **Recharge only with the charger specified by the manufacturer.** A charger that is suitable for one type of battery pack may create a risk of fire when used with another battery pack.
 - b) **Use power tools only with specifically designated battery packs.** Use of any other battery packs may create a risk of injury and fire.
 - c) **When battery pack is not in use, keep it away from other metal objects, like paper clips, coins, keys, nails, screws or other small metal objects that can make a connection from one terminal to another.** Shorting the battery terminals together may cause burns or a fire.
 - d) **Under abusive conditions, liquid may be ejected from the battery; avoid contact. If contact accidentally occurs, flush with water. If liquid contacts eyes, additionally seek medical help.** Liquid ejected from the battery may cause irritation or burns.
 - e) **Do not use a battery pack or tool that is damaged or modified.** Damaged or modified batteries may exhibit unpredictable behaviour resulting in fire, explosion or risk of injury.
 - f) **Do not expose a battery pack or tool to fire or excessive temperature.** Exposure to fire or temperature above 130 °C may cause explosion. NOTE The temperature „130 °C“ can be replaced by the temperature „265 °F“.
 - g) **Follow all charging instructions and do not charge the battery pack or tool outside the temperature range specified in the instructions.** Charging improperly or at temperatures outside the specified range may damage the battery and increase the risk of fire.

6) Service

- a) **Have your power tool serviced by a qualified repair person using only identical replacement parts.** This will ensure that the safety of the power tool is maintained.
- b) **Never service damaged battery packs.** Service of battery packs should only be performed by the manufacturer or authorized service providers.

ADDITIONAL SAFETY WARNINGS FOR HEDGE TRIMMER

- Keep the area you are working in clean and tidy.
- Always hold the trimmer properly. When operating us both hands.
- If you are using a means of support to raise yourself off the ground, ensure that it is stable and cannot topple over - do not overreach at any time.
- Do not use power tools in the rain or wet environments. Do not use power tools where there is a risk of fire or explosion - i.e. near flammable liquids or gases.
- Do not allow children into the area where you are working.
- Do not let children or other people touch power tools.
- Do not leave the power tool unattended.
- Store in a dry place well out of reach of children.
- Always use safety glasses and gloves. We also recommend the use of ear protectors.
- Wear the right clothes - not loose fitting or jewellery and ensure garments cannot come into contact with moving parts.
- If you have long hair, tie it back safely to avoid tangling it in moving parts.
- Before using any power tool, check first for damaged parts and if found do not use it before the part or parts have been replaced with new ones.
- Do not use power tools when you are tired or have been drinking alcohol.
- Do not force the appliance - let it work at the rate for which it was intended.
- Do not overreach while working - you may lose your balance.
- Never use this appliance without the blade guard fitted. It must always remain fitted.
- Only use spare parts and attachments supplied by Vonroc. Use of attachments other than those supplied or recommended by Vonroc will invalidate your guarantee and could be dangerous.

- Only use this appliance for its intended purpose trimming hedges and bushes.



Above all be carefull!



Danger!

- **Keep all parts of the body away from the cutting blade. Do not remove cut material or hold material to be cut when blades are moving. Make sure the switch is off when clearing jammed material.** A moment of inattention while operating the hedge trimmer may result in serious personal injury.
- **Carry the hedge trimmer by the handle with the cutting blade stopped. When transporting or storing the hedge trimmer always fit the transport protection sleeve.** Proper handling of the hedge trimmer will reduce possible injury from the cutting blades.
- The cutting elements continue to move after the motor is switch off.
- Inspect and maintain the trimmer regularly. Have the trimmer repaired only by an authorised repairer.
- Inspect the hedge or bushes for foreign objects like wire fences
- Keep your hands and feet away from the cutting area at all times.
- Always hold the trimmer at a safe distance from the body.
- Always wear protective goggles.
- Always wear gloves.
- Only use the trimmer in daylight.
- Ensure the ventilation openings are clear of debris at all times.
- Ensure there are no people or animals within 5 metres of your trimming area.
- Remove the plug from the power socket before attempting any maintenance.
- After use the tool should be stored so that the blade is not exposed.
- Hold the power tool by insulated gripping surfaces only, because the cutter blade may contact hidden wiring. Cutter blade contacting a "live" wire may make exposed metal parts of the power tool "live" and could give the operator an electric shock.

ADDITIONAL SAFETY WARNINGS FOR CORDLESS HEDGE TRIMMER


- Do not charge hedge trimmer in rain, or in wet locations.
- Do not use battery-operated hedge trimmer in rain.
- Remove or disconnect battery before servicing, cleaning, or removing material from the hedge trimmer.
- Do not dispose of the battery(ies) in a fire. The cell may explode. Check with local codes for possible special disposal instructions.

2. MACHINE INFORMATION

Intended use

This hedge trimmer is only intended for cutting branches from shrubs, bushes, ornamental plants and hedges.

TECHNICAL SPECIFICATIONS

Model No.	HT501DC
Rated voltage	20V 
No load speed	1.400/min.
Cutting length	510mm
Cutting width	14mm
Weight	2.15 kg
Sound pressure level L_{pA}	79.1 dB (A), $KpA=3$ dB (A)
Sound power level L_{WA}	90.1 dB (A), $KwA=3$ dB (A)
Vibration value	1.937 m/s ² $K=1.5$ m/s ²

Only use the following batteries of the VONROC VPOWER 20V battery platform. Using any other batteries could cause serious injury or damage the tool.

CD801AA 20V, 2Ah Lithium-Ion
CD803AA 20V, 4Ah Lithium-Ion

The following charger of the can be used to charge these batteries.

CD802AA Quick charger

The batteries of the VONROC VPOWER 20V battery platform are interchangeable with all the VONROC VPOWER 20V battery platform tools.

Vibration level

The vibration emission level stated in this instruction manual has been measured in accordance

with a standardized test given in EN60745; it may be used to compare one tool with another and as a preliminary assessment of exposure to vibration when using the tool for the applications mentioned.

- Using the tool for different applications, or with different or poorly maintained accessories, may significantly increase the exposure level.
- The times when the tool is switched off or when it is running but not actually doing the job, may significantly reduce the exposure level.

Protect yourself against the effects of vibration by maintaining the tool and its accessories, keeping your hands warm, and organizing your work patterns.

DESCRIPTION

The numbers in the text refer to the diagrams on page 2-3.

1. On/Off button
2. Battery (not included)
3. Battery unlock button
4. Cutting blade
5. Protection guard
6. Front handle
7. Safety switch
8. Transport protection

3. ASSEMBLY



Before any work on the power tool, remove the battery.



The battery must be charged before first use.

Mounting the front handle (Fig. B)

1. Put the front handle (6) on the machine, as shown on figure B.
2. Mount the front handle (6) by tightening the four screws.

Mounting the protection guard (Fig. C)



You may not use the hedge trimmer without the protection guard

1. Put the protection guard (5) on the machine, as shown on figure C.
2. Mount the protection guard (5) by tightening the two screws.

Inserting the battery into the machine (Fig. A, D)

Ensure that the exterior of the battery is clean and dry before connecting to the charger or machine.

1. Insert the battery (2) into the base of the machine as shown in Fig. D.
2. Push the battery further forward until it clicks into place.

Removing the battery from the machine (Fig. A, D)

1. Push the battery unlock button (3)
2. Pull the battery out of the machine like shown in Fig. D.

4. OPERATION

Before using, always visually inspect to see that the blades, blade bolts and cutter assembly are not worn or damaged.



You may not use the hedge trimmer without the protection guard.



Always use both hands to hold the hedge trimmer and keep it away from your own body.

Using your hedge trimmer

- For your own safety and for best results read the following user advice and do not use this product for anything other than its intended purpose.
- This hedge trimmer is made for cutting hedges and bushes. All other use that is not specifically allowed in this manual may lead to damage to the hedge trimmer or injury to the user.

Switching on and off (Fig. A)

- To switch the trimmer on, press the safety switch (7) and the start switch (1) at the same time.
- To switch off, release one or both switches.

Trimming a hedge - best method

- Apart from hedges the hedge trimmer may also be used for cutting bushes.
- The best cutting effect is achieved when holding the blade at an angle to the of approx. 15°.
- The opposite rotating knives cut on both sides, and it is therefore possible to trim the hedge in both directions.
- The side of the hedge are trimmed using curved

shaped movements from the bottom and upwards.

- Ideally a hedge should be wider at the bottom than the top. This will improve light penetration, keeping the hedge healthy. If possible, trim both sides of the hedge.
- When trimming the sides of the hedge, trim from the bottom upwards. This will ensure there are no hedge trimmings obscuring or interfering with your cut strokes. The blade should not be forced to cut too deep. Cut lightly through the surface of the hedge.
- When trimming the top of the hedge, trim away from you but do not over-reach. It is much wiser and safer to move along and cut within your reach remaining on two feet at all times.

Safety transport

The hedge trimmer has a transport protection Cover (8) for safe transportation of the machine.

5. MAINTENANCE

Before cleaning and maintenance, always switch off the machine and remove the battery pack from the machine.

Clean the machine casings regularly with a soft cloth, preferably after each use. Make sure that the ventilation openings are free of dust and dirt. Remove very persistent dirt using a soft cloth moistened with soapsuds. Do not use any solvents such as gasoline, alcohol, ammonia, etc. Chemicals such as these will damage the synthetic components.

Cutting blade

- Always wear gloves when handling or cleaning the cutting blade.
- Clean the cutting blade and spray with a protective oil after every use. We recommend lubricating the cutting blade with protective oil at regular intervals during long working periods.
- Visually inspect the condition of the cutting blade. Check that the screws are firmly seated in the cutter bar.
- Ensure that the blade guard is fitted on the machine.

Storage

The hedge trimmer should be kept in a safe, dry place, well out of the reach of children. Do not place other objects on top of it.

ENVIRONMENT



Faulty and/or discarded electrical or electronic apparatus have to be collected at the appropriate recycling locations.

Only for EC countries

Do not dispose of power tools into domestic waste. According to the European Guideline 2012/19/EC for Waste Electrical and Electronic Equipment and its implementation into national right, power tools that are no longer usable must be collected separately and disposed of in an environmentally friendly way.

WARRANTY

VONROC products are developed to the highest quality standards and are guaranteed free of defects in both materials and workmanship for the period lawfully stipulated starting from the date of original purchase. Should the product develop any failure during this period due to defective material and/or workmanship then contact VONROC directly.

The following circumstances are excluded from this guarantee:

- Repairs and or alterations have been made or attempted to the machine by unauthorized service centers;
- Normal wear and tear;
- The tool has been abused, misused or improperly maintained;
- Non-original spare parts have been used.

This constitutes the sole warranty made by company either expressed or implied. There are no other warranties expressed or implied which extend beyond the face hereof, herein, including the implied warranties of merchantability and fitness for a particular purpose. In no event shall VONROC be liable for any incidental or consequential damages. The dealers remedies shall be limited to repair or replacement of nonconforming units or parts.

The product and the user manual are subject to change. Specifications can be changed without further notice.

1. SICHERHEITSAUWEISUNGEN

Lesen Sie die beiliegenden Sicherheitsanweisungen, die zusätzlichen Sicherheitsanweisungen sowie diese Bedienungsanleitung sorgfältig durch. Bei Nichtbeachten der Sicherheitsanweisungen und der Bedienungsanleitung kann es zu einem Stromschlag, einem Brand und/oder schweren Verletzungen kommen. Bewahren Sie die Sicherheitsanweisungen und die Bedienungsanleitung zur künftigen Bezugnahme sicher auf.

Folgende Symbole werden im Benutzerhandbuch oder auf dem Produkt verwendet:



Lesen Sie das Benutzerhandbuch.



Lebens- und Verletzungsgefahr und Gefahr von Beschädigungen am Werkzeug/Gerät bei Nichteinhaltung der Anweisungen in dieser Bedienungsanleitung.



Gefahr von herumfliegenden Gegenständen. Halten Sie Unbeteiligte vom Arbeitsbereich fern.



Nicht dem Regen aussetzen.



*Tragen Sie eine Schutzbrille.
Tragen Sie einen Gehörschutz.*



Tragen Sie Schutzhandschuhe.



Vor dem Beginn von Reinigungs- und Wartungsarbeiten immer erst die Maschine ausschalten und den Akku entfernen.



Entsorgen Sie das Produkt nicht in hierfür nicht vorgesehenen Abfallbehältern.



Das Produkt entspricht den geltenden Sicherheitsnormen der europäischen Richtlinien.

ALLGEMEINE SICHERHEITSHINWEISE



ACHTUNG! Lesen Sie alle Sicherheitshinweise und Anweisungen. Fehler bei der Einhaltung der nachstehend aufgeführten Anweisungen können elektrischen Schlag, Brand und/oder schwere Verletzungen verursachen.

Bewahren Sie diese Anweisungen gut auf. Der nachfolgend verwendete Begriff „Elektrowerkzeug“ bezieht sich auf netzbetriebene Elektrowerkzeuge (mit Netzkabel) und auf akkubetriebene Elektrowerkzeuge (ohne Netzkabel).

1) Arbeitsplatz

- a) **Halten Sie Ihren Arbeitsbereich sauber und aufgeräumt.** Unordnung und unbeleuchtete Arbeitsbereiche können zu Unfällen führen.
- b) **Arbeiten Sie mit dem Gerät nicht in explosionsgefährdeter Umgebung, in der sich brennbare Flüssigkeiten, Gase oder Staub befinden.** Elektrowerkzeuge erzeugen Funken, die den Staub oder die Dämpfe entzünden können.
- c) **Halten Sie Kinder und andere Personen während der Benutzung des Elektrowerkzeugs fern.** Bei Ablenkung können Sie die Kontrolle über das Gerät verlieren.

2) Elektrische Sicherheit

- a) **Der Anschlussstecker des Gerätes muss in die Steckdose passen. Der Netzstecker darf in keiner Weise verändert werden. Verwenden Sie keine Adapterstecker gemeinsam mit geschützten Geräten.** Unveränderte Netzstecker und passende Steckdosen verringern das Risiko eines elektrischen Schlages.
- b) **Vermeiden Sie Körperkontakt mit geerdeten Oberflächen, wie von Röhren, Heizungen, Herden und Kühlschränken.** Es besteht ein erhöhtes Risiko durch elektrischen Schlag, wenn Ihr Körper geerdet ist.
- c) **Halten Sie das Gerät von Regen oder Nässe fern.** Das Eindringen von Wasser in ein Elektrogerät erhöht das Risiko eines elektrischen Schlages.
- d) **Zweckentfremden Sie das Netzkabel nicht, um das Gerät zu tragen, aufzuhängen oder um den Netzstecker aus der Steckdose zu ziehen. Halten Sie das Netzkabel fern von Hitze, Öl, scharfen Kanten oder sich bewegenden Geräteteilen.** Beschädigte oder verwickelte Netzkabel erhöhen das Risiko eines elektrischen Schlages.
- e) **Wenn Sie mit einem Elektrowerkzeug im Freien arbeiten, verwenden Sie nur Verlängerungskabel, die auch für den Außenbereich zugelassen sind.** Die Anwendung eines für den Außenbereich geeigneten Verlängerungskabels verringert das Risiko eines elektrischen Schlages.
- f) **Wenn sich Arbeiten mit einem Elektrowerkzeug in feuchten Umgebungen nicht vermeiden**

lassen, verwenden Sie eine Stromversorgung mit einer Fehlerstrom-Schutzeinrichtung (RCD).

Durch die Verwendung einer RCD wird die Gefahr eines elektrischen Schlags verringert.

3) Sicherheit von Personen

- a) **Seien Sie aufmerksam. Achten Sie darauf, was Sie tun, und gehen Sie mit Vernunft an die Arbeit mit einem Elektrowerkzeug. Benutzen Sie das Gerät nicht, wenn Sie müde sind oder unter dem Einfluss von Drogen, Alkohol oder Medikamenten stehen.** Ein Moment der Unachtsamkeit beim Gebrauch des Gerätes kann zu ernsthaften Verletzungen führen.
- b) **Tragen Sie persönliche Schutzausrüstung und immer eine Schutzbrille.** Das Tragen persönlicher Schutzausrüstung, wie Staubmaske, rutschfeste Sicherheitsschuhe, Schutzhelm oder Gehörschutz, je nach Art und Einsatz des Elektrowerkzeugs, verringert das Risiko von Verletzungen.
- c) **Vermeiden Sie eine unbeabsichtigte Inbetriebnahme. Vergewissern Sie sich, dass der Schalter in der Position „AUS(0)“ ist, bevor Sie den Netzstecker in die Steckdose stecken.** Wenn Sie beim Tragen des Gerätes den Finger am Schalter haben oder das Gerät eingeschaltet an die Stromversorgung anschließen, kann dies zu Unfällen führen.
- d) **Entfernen Sie Einstellwerkzeuge oder Schraubenschlüssel, bevor Sie das Gerät einschalten.** Ein Werkzeug oder Schlüssel, der sich in einem drehenden Geräteteil befindet, kann zu Verletzungen führen.
- e) **Überschätzen Sie sich nicht. Sorgen Sie für einen sicheren Stand und halten Sie jederzeit das Gleichgewicht.** Dadurch können Sie das Gerät in unerwarteten Situationen besser kontrollieren.
- f) **Tragen Sie geeignete Kleidung. Tragen Sie keine weite Kleidung oder Schmuck. Halten Sie Haare, Kleidung und Handschuhe fern von sich bewegenden Teilen.** Lockere Kleidung, Schmuck oder lange Haare können von sich bewegenden Teilen erfasst werden.
- g) **Wenn Staubabsaug- und -auffangeinrichtungen montiert werden können, vergewissern Sie sich, dass diese angeschlossen sind und richtig verwendet werden.** Das Verwenden dieser Einrichtungen verringert Gefährdungen durch Staub.
- h) **Achten Sie darauf, nicht durch häufigen Gebrauch von Werkzeugen nachlässig zu werden**

und die Prinzipien zum sicheren Umgang mit den Werkzeugen zu ignorieren. Eine unachtsame Handlung kann innerhalb von Sekundenbruchteilen schwere Verletzungen verursachen.

4) Sorgfältiger Umgang und Gebrauch von Elektrowerkzeugen

- a) **Überlasten Sie das Gerät nicht. Verwenden Sie für Ihre Arbeit das dafür bestimmte Elektrowerkzeug.** Mit dem passenden Elektrowerkzeug arbeiten Sie besser und sicherer im angegebenen Leistungsbereich.
- b) **Benutzen Sie kein Elektrowerkzeug, dessen Schalter defekt ist.** Ein Elektrowerkzeug, das sich nicht mehr ein- oder ausschalten lässt, ist gefährlich und muss repariert werden.
- c) **Ziehen Sie den Netzstecker aus der Steckdose, bevor Sie Geräteeinstellungen vornehmen, Zubehörteile wechseln oder das Gerät weglegen.** Diese Vorsichtsmaßnahme verhindert den unbeabsichtigten Start des Geräts.
- d) **Bewahren Sie unbenutzte Elektrowerkzeuge außerhalb der Reichweite von Kindern auf. Lassen Sie Personen das Gerät nicht benutzen, die mit diesem nicht vertraut sind oder diese Anweisungen nicht gelesen haben.** Elektrowerkzeuge sind gefährlich, wenn Sie von unerfahrenen Personen benutzt werden.
- e) **Pflegen Sie das Gerät mit Sorgfalt. Kontrollieren Sie, ob bewegliche Geräteteile einwandfrei funktionieren und nicht klemmen, ob Teile gebrochen oder so beschädigt sind, dass die Funktion des Gerätes beeinträchtigt ist. Lassen Sie beschädigte Teile vor dem Einsatz des Gerätes reparieren.** Viele Unfälle haben ihre Ursache in schlecht gewarteten Elektrowerkzeugen.
- f) **Halten Sie Schneidwerkzeuge scharf und sauber.** Sorgfältig gepflegte Schneidwerkzeuge mit scharfen Schneidkanten verkleben sich weniger und sind leichter zu führen.
- g) **Verwenden Sie Elektrowerkzeug, Zubehör, Einsatzwerkzeuge usw. entsprechend diesen Anweisungen und so, wie es für diesen speziellen Gerätetyp vorgeschrieben ist. Berücksichtigen Sie dabei die Arbeitsbedingungen und die auszuführende Tätigkeit.** Der Gebrauch von Elektrowerkzeugen für andere als die vorgesehenen Anwendungen kann zu gefährlichen Situationen führen.
- h) **Halten Sie Griffe und Greifflächen immer trocken, sauber und frei von Öl und Fett.** Rutschige

Griffe und Greifflächen verhindern in unerwarteten Situationen den sicheren Umgang mit dem Werkzeug und die richtige Kontrolle darüber.

5) Umgang mit Akkuwerkzeugen

- a) **Zum Laden ist ausschließlich das vom Hersteller angegebene Ladegerät zu verwenden.** Ein Ladegerät, das für eine Art von Akkus geeignet ist, kann bei Verwendung mit einer anderen Art von Akku Brandgefahr verursachen.
- b) **Elektrowerkzeuge dürfen nur mit speziell dazu bestimmten Akkus verwendet werden,** da bei der Verwendung anderer Akkus Verletzungs- und Brandgefahr entstehen kann.
- c) **Wenn der Akku nicht in Gebrauch ist, ist er von Büroklammern, Münzen, Schlüssel, Nägel, Schrauben und anderen kleinen Metallobjekten fernzuhalten, die eine Verbindung zwischen den Polen bilden können.** Kurzschließen der Pole kann Brand oder Verbrennungen verursachen.
- d) **Bei falschem Umgang mit dem Akku kann Flüssigkeit aus dem Akku austreten. Die Berührung dieser Flüssigkeit ist zu vermeiden. Bei Berührung den betroffenen Körperteil mit Wasser abspülen. Bei Berührung der Flüssigkeit mit den Augen muss zusätzlich ärztliche Hilfe gerufen werden.** Die Akkuflüssigkeit kann Reizungen oder Verbrennungen verursachen.
- e) **Verwenden Sie keinesfalls Akkus und Werkzeuge, die beschädigt oder verändert wurden.** Beschädigte oder veränderte Akkus können ein unvorhersehbares Verhalten zeigen, das zu Feuer, Explosionen oder Verletzungsgefahren führt.
- f) **Setzen Sie Akkus oder Werkzeuge keinem Feuer oder übermäßigen Temperaturen aus.** Feuer oder Temperaturen über 130 °C können zu Explosionen führen. HINWEIS: Die Temperaturangabe „130 °C“ kann durch die Temperaturangabe „265 °F“ ersetzt werden.
- g) **Beachten Sie alle Hinweise zum Aufladen und laden Sie Akkus oder Werkzeuge nicht außerhalb der in der Anleitung angegebenen Temperaturbereiche auf.** Unsachgemäßes Aufladen oder Aufladen bei Temperaturen außerhalb des angegebenen Bereichs kann den Akku schädigen und die Brandgefahr erhöhen.

6) Service

- a) **Lassen Sie Ihre Werkzeuge durch einen qualifizierten Reparaturtechniker ausschließlich mit identischen Ersatzteilen warten.** So lässt sich

eine gleich bleibende Sicherheit des Elektrowerkzeugs gewährleisten.

- b) **Beschädigte Akkus dürfen keinesfalls gewartet werden.** Die Wartung von Akkus darf nur vom Hersteller oder von Vertragswerkstätten durchgeführt werden.

ZUSÄTZLICHE SICHERHEITSANWEISUNG FÜR HECKENSCHEREN

- Den Bereich, in dem Sie arbeiten sauber und ordentlich halten.
- Halten Sie die Heckenschere immer ordnungsgemäß fest. Bei der Bedienung sind beide Hände zu benutzen.
- Bei der Verwendung von Hilfsmitteln zum Abheben vom Boden muss sichergestellt werden, dass diese stabil sind und nicht umkippen können - Übernehmen Sie sich zu keinem Zeitpunkt.
- Elektrowerkzeuge nicht im Regen oder in nassen Umgebungen verwenden. Elektrowerkzeuge nicht dort verwenden, wo Brand- oder Explosionsgefahr besteht - d. h. in der Nähe von brennbaren Flüssigkeiten oder Gasen.
- Kinder nicht in den Bereich lassen, in dem Sie arbeiten.
- Lassen Sie Kinder oder sonstige Personen nicht mit Elektrowerkzeugen in Kontakt kommen.
- Das Elektrowerkzeug nicht unbeaufsichtigt lassen.
- An einem trockenen Ort außerhalb der Reichweite von Kindern aufbewahren.
- Immer Sicherheitsbrille und Handschuhe tragen. Wir empfehlen auch das Tragen eines Gehörschutzes.
- Die richtige Kleidung tragen - keine weite Kleidung tragen und sicherstellen, dass Kleidungsstücke nicht in Kontakt mit beweglichen Teilen kommen können.
- Langes Haar sicher zusammenbinden, um zu vermeiden, dass es sich in beweglichen Teilen verfängt.
- Vor dem Gebrauch eines Elektrowerkzeugs zuerst eine Prüfung auf beschädigte Teile durchführen und im Falle von beschädigten Teilen nicht verwenden, bis das Teil oder die Teile gegen neue Teile ausgetauscht worden sind.
- Elektrowerkzeuge nicht verwenden, wenn Sie müde sind oder unter Alkoholeinfluss stehen.
- Keine Kraft auf das Gerät ausüben - lassen Sie es in der Geschwindigkeit arbeiten, für die es vorgesehen ist.

- Überschätzen Sie sich nicht beim Arbeiten - Sie können Ihr Gleichgewicht verlieren.
- Dieses Gerät nie ohne befestigten Klingschutz verwenden. Dieser muss immer angebracht sein.
- Verwenden Sie nur von VONROC gelieferte Ersatzteile und von Fern geliefertes Zubehör. Die Verwendung von Zubehör, das nicht dem von VONROC gelieferten oder empfohlenen Zubehör entspricht, führt zur Ungültigkeit Ihrer Garantie und könnte gefährlich sein.
- Dieses Gerät nur für seine Zweckbestimmung verwenden - zum Schneiden von Hecken und Büschen.



Vor allem vorsichtig sein!!



Gefahr!

- **Sämtliche Körperteile von der Schneidklinge fernhalten. Kein geschnittenes Material entfernen und das zu schneidende Material nicht festhalten, wenn sich die Klingen bewegen. Sicherstellen, dass der Schalter ausgeschaltet wurde, bevor feststeckendes Material entfernt wird.** Ein Moment der Unachtsamkeit während des Betriebs der Heckenschere kann zu schwerwiegenden Verletzungen führen.
- **Heckenschere nur bei angehaltener Schneidklinge am Griff tragen. Bei Transport oder Lagerung der Heckenschere immer die Transportschutzhülse anbringen.** Die ordnungsgemäße Handhabung der Heckenschere verringert mögliche Verletzungen durch die Schneidklingen.
- Die Schneidelemente bewegen sich weiter, nachdem der Motor ausgeschaltet ist.
- Das Kabel vor Beginn der Arbeiten auf Schäden prüfen und bei Bedarf ersetzen. Den Trimmer regelmäßig prüfen und warten. Den Trimmer nur von einer Vertragswerkstatt reparieren lassen.
- Untersuchen Sie Hecken oder Büsche auf Fremdkörper wie Drahtzäune.
- Hände und Füße zu jeder Zeit vom Schneidbereich fernhalten.
- Den Trimmer in sicherem Abstand vom Körper halten.
- Immer eine Schutzbrille tragen.
- Immer Handschuhe tragen.
- Den Trimmer nur bei Tageslicht verwenden.
- Sicherstellen, dass die Lüfteröffnungen zu jeder

Zeit schmutzfrei sind.

- Sicherstellen, dass sich in einem Bereich von fünf Metern zum Schneidbereich keine Personen oder Tiere befinden.
- Vor der Wartung den Stecker von der Steckdose trennen.
- Nach Gebrauch sollte das Werkzeug so gelagert werden, dass die Klinge nicht exponiert ist.
- Halten Sie das Elektrowerkzeug an den isolierten Griffflächen, da die Schneidklinge versteckte Leitungen berühren könnte. Der Kontakt der Schneidklinge mit einer spannungsführenden Leitung kann auch metallene Geräteteile unter Spannung setzen und zu einem elektrischen Schlag führen.

ZUSÄTZLICHE SICHERHEITSHINWEISE FÜR AKKU-HECKENSCHNEIDER


- Laden Sie die Heckenschere nicht bei Regen oder an nassen Orten auf.
- Verwenden Sie die Akku-Heckenschere nicht bei Regen.
- Entfernen oder trennen Sie den Akku, bevor Sie die Heckenschere warten, reinigen oder geschliffenes Material von ihr entfernen.
- Entsorgen Sie Akkus nicht im Feuer. Die Akkuzelle könnte explodieren. Informieren Sie sich über lokale Vorschriften und eventuelle spezielle Entsorgungshinweise.

2. ANGABEN ZUM WERKZEUG

Verwendungszweck

Diese Heckenschere ist nur zum Schneiden von Ästen von Büschen, Sträuchern, Zierpflanzen und Hecken bestimmt.

TECHNISCHE DATEN

Modellnummer	HT501DC
Nennspannung	20V 
Leerlaufdrehzahl	1.400/min.
Schnittlänge	510mm
Schnittbreite	14mm
Gewicht	2.15 kg
LPA (Schalldruck)	79.1 dB (A), KpA=3 dB (A)
LWA (Schalleistung)	90.1 dB (A), KwA=3 dB (A)
Vibrationswert	1.937 m/s ² K=1.5 m/s ²

Verwenden Sie nur folgende Akkus der VONROC VPOWER 20V-Akku-Plattform. Die Verwendung anderer Akkus kann zu schweren Verletzungen oder einer Beschädigung des Werkzeugs führen.

CD801AA 20V, 2Ah Lithium-Ion
 CD803AA 20V, 4Ah Lithium-Ion

Folgendes Ladegerät ist zum Aufladen dieser Akkus vorgesehen.

CD802AA Schnellladegerät

Die Akkus der VONROC VPOWER 20V-Akku-Plattform sind unter allen Werkzeugen der VONROC VPOWER 20V-Akku-Plattform austauschbar.

Vibrationsintensität

Die in dieser Bedienungsanleitung angegebene Vibrationsintensität wurde mit einem standardisierten Test gemäß EN60745 gemessen. Anhand dieser Größe können Werkzeuge miteinander verglichen werden. Außerdem eignet sich diese Größe für eine erste Beurteilung der Vibrationsbelastung bei Verwendung des Werkzeugs für die angegebenen Anwendungszwecke.

- Bei Verwendung des Werkzeugs für andere Anwendungen oder mit anderem oder unzureichend gewartetem Zubehör kann sich die Vibrationsbelastung erheblich erhöhen.
- Wenn das Werkzeug ausgeschaltet ist, oder wenn es eingeschaltet ist, jedoch nicht genutzt wird, kann sich die Vibrationsbelastung erheblich verringern.

Schützen Sie sich vor den Auswirkungen der Vibration durch Wartung des Werkzeugs und des Zubehörs, halten Sie Ihre Hände warm, und organisieren Sie Ihren Arbeitsablauf.

BESCHREIBUNG

Die Buchstaben und Ziffern im folgenden Text weisen auf die Abbildungen auf den Seiten 2-3.

1. EIN/AUS-Schalter
2. Akku (nicht inbegriffen)
3. Akku-Freigabetaste
4. Schneidklinge
5. Schutzvorrichtung
6. Vorderer Griff
7. Sicherheitsschalter
8. Transportschutz

3. MONTAGE



Nehmen Sie vor allen Arbeiten am Elektrowerkzeug den Akku heraus.



Vor der ersten Verwendung muss der Akku aufgeladen werden.

Anbringen des vorderen Griffs (Abb. B)

1. Bringen Sie den vorderen Griff (6) wie in Abbildung B dargestellt am Gerät an.
2. Montieren Sie den vorderen Griff (6), indem Sie die vier Schrauben festziehen.

Montage der Schutzvorrichtung (Abb. C)



Die Heckenschere darf nicht ohne Schutzkorb verwendet werden.

1. Bringen Sie die Schutzvorrichtung (5) wie in Abbildung C dargestellt am Gerät an.
2. Montieren Sie die Schutzvorrichtung (5), indem Sie die beiden Schrauben festziehen.

Einsetzen des Akkus in das Werkzeug (Fig. A, D)



Überprüfen Sie, ob die Außenflächen des Akkus sauber und trocken sind, bevor Sie den Akku an das Ladegerät anschließen oder in das Werkzeug einsetzen.

1. Setzen Sie den Akku (2) in das Gerät ein Fig. D.
2. Drücken Sie den Akku soweit nach vorn, bis der Akku hörbar einrastet.

Entnehmen des Akkus aus dem Werkzeug (Fig. A, D)

1. Drücken Sie die Akku-Freigabetast (3)
2. Ziehen Sie den Akku aus dem Werkzeug, wie in Abb. D dargestellt.

4. BEDIENUNG



Vor Gebrauch immer eine Sichtprüfung zu machen, um festzustellen, dass die Klingen, Messerschrauben und Schneidmesser nicht verschlissen oder beschädigt sind.



Die Heckenschere darf nicht ohne Schutzkorb verwendet werden.



Die Heckenschere mit beiden Händen und Abstand zum eigenen Körper halten.

Verwendung der Heckenschere

- Für Ihre eigene Sicherheit und für beste Ergebnisse die folgenden Benutzerhinweise lesen und dieses Produkt nur für seinen Bestimmungszweck verwenden.
- Diese Heckenschere ist zum Schneiden von Hecken und Büschen vorgesehen. Jeder andere Gebrauch, der nicht speziell in diesem Handbuch erlaubt ist, kann zu Beschädigung der Heckenschere führen oder den Bediener verletzen.

Ein-/Ausschalten (Fig. A)

- Zum Einschalten der Schere den Sicherheitschalter (7) und den Startschalter (1) gleichzeitig drücken.
- Zum Ausschalten einen der beiden Schalter loslassen.

Schneiden einer Hecke - beste Methode

- Neben Hecken kann die Heckenschere auch zum Schneiden von Büschen verwendet werden.
- Die beste Schneidwirkung wird erreicht, wenn die Klinge in einem von 15° zum gehalten wird.
- Die gegenüberliegenden rotierenden Messer schneiden auf beiden Seiten, und deshalb ist es möglich, die Hecke in beide Richtungen zu schneiden.
- Die Seite der Hecke wird mit kurvenförmigen Bewegungen von unten nach oben geschnitten.
- Idealerweise sollte eine Hecke unten breiter sein als oben. Dies ermöglicht eine leichtere Durchdringung, wodurch die Hecke gesund gehalten wird. Falls möglich, beide Seiten der Hecke schneiden.
- Beim Schneiden der Seiten der Hecke, von unten nach oben schneiden. So wird sichergestellt, dass keine Heckenschnitte Ihren Schnitttakt verdecken oder behindern. Die Klinge sollte nicht zu übermäßig tiefen Schnitten gezwungen werden. Leicht über die Oberfläche der Hecke schneiden.
- Beim Schneiden der Heckenspitze, vom Körper wegschneiden und nicht hinübergreifen. Es ist viel schlauer und sicherer, sich fortzubewegen, in Reichweite zu schneiden und zu jeder Zeit auf beiden Füßen zu stehen.

Sicherer Transport

Die Heckenschere verfügt über einen Transportschutz. Diese Abdeckung (8) ermöglicht den sicheren Transport des Geräts.

5. WARTUNG



Schalten Sie das Werkzeug immer aus, und entnehmen Sie den Akku aus dem Gerät, bevor Sie Reinigungs- oder Wartungsarbeiten am Werkzeug vornehmen.

Reinigen Sie das Werkzeuggehäuse regelmäßig mit einem weichen Lappen, vorzugsweise nach jeder Verwendung. Stellen Sie sicher, dass die Lüftungsöffnungen frei von Staub und Schmutz sind. Entfernen Sie anhaftenden Schmutz mit einem weichen Lappen, der leicht mit Seifenwasser befeuchtet wurde. Verwenden Sie keine Lösungsmittel wie Benzin, Alkohol, Ammoniak usw., da Chemikalien dieser Art die Kunststoffteile beschädigen.

Schneidklinge

- Beim Umgang oder bei der Reinigung der Schneidklinge immer Handschuhe tragen.
- Schneidklinge nach jedem Gebrauch reinigen und mit einem Schutzöl einsprühen. Wir empfehlen, die Schneidklinge bei länger dauernden Arbeiten regelmäßig mit Schutzöl zu schmieren.
- Sichtkontrollen der Schneidklinge durchführen und überprüfen, ob die Schrauben fest in der Schneidleiste sitzen.
- Sicherstellen, dass der Klingenschutz am Gerät montiert ist.

Aufbewahrung

Die Heckenschere sollte an einem sicheren, trockenen Ort aufbewahrt werden, der für Kinder unzugänglich ist. Keine anderen Gegenstände auf ab dem Gerät ablegen.

UMWELTSCHUTZ



Schadhafte und/oder zu entsorgende elektrische oder elektronische Werkzeuge und Geräte müssen an den dafür vorgesehenen Recycling-Stellen abgegeben werden.

Nur für EG-Länder

Entsorgen Sie Elektrowerkzeuge nicht über den Hausmüll. Entsprechend der EU-Richtlinie 2012/19/EG über Elektro- und Elektronik-Altgeräte sowie der Umsetzung in nationales Recht müssen Elektrowerkzeuge, die nicht mehr im Gebrauch sind, getrennt gesammelt und umweltschonend entsorgt werden.

GARANTIE

VONROC-Produkte werden nach den höchsten Qualitätsstandards entwickelt und sind für den gesetzlich festgelegten Zeitraum, ausgehend von dem ursprünglichen Kaufdatum, garantiert frei von Fehlern in Material und Ausführung. Sollte das Produkt in diesem Zeitraum aufgrund von Material- und/oder Verarbeitungsmängeln Fehler aufweisen, wenden Sie sich bitte direkt an VONROC Kundendienst.

Folgende Umstände sind von der Garantie ausgeschlossen:

- Reparaturen und oder Änderungen an der Maschine, die durch nicht-autorisierte Servicetechniken vorgenommen oder versucht wurden.
- Normale Abnutzung und Verschleiß.
- Das Werkzeug wurde übermäßig beansprucht, missbräuchlich verwendet oder falsch gewartet.
- Es wurden keine Original-Ersatzteile verwendet.

Dies stellt die einzige Gewährleistung des Unternehmens dar, sowohl ausdrücklich als auch implizit. Es gibt keine anderen ausdrücklichen oder stillschweigenden Garantien, die über das hier Genannte hinausgehen, einschließlich der stillschweigenden Garantien der Marktgängigkeit oder Eignung für einen bestimmten Zweck. In keinem Fall ist VONROC haftbar für Neben- oder Folgeschäden. Die Rechtsmittel des Händlers beschränken sich auf Reparatur oder Ersatz fehlerhafter Einheiten oder Teile.

Am Produkt und am Benutzerhandbuch können Änderungen vorgenommen werden. Die technischen Daten können sich ohne Vorankündigung ändern.

1. VEILIGHEIDSVOORSCHRIFTEN

Lees de bijgesloten veiligheidswaarschuwingen, de aanvullende veiligheidswaarschuwingen en de instructies. Het niet opvolgen van de veiligheids-waarschuwingen kan elektrische schokken, brand en/of ernstig letsel tot gevolg hebben. Bewaar de veiligheidswaarschuwingen en instructies als naslagwerk voor later.

De volgende symbolen worden gebruikt in de gebruikershandleiding of op het product:



Lees de gebruikershandleiding.



Gevaar voor lichamelijk letsel, overlijden of schade aan de machine wanneer de instructies in deze handleiding niet worden opgevolgd



Gevaar voor rondvliegende voorwerpen. Houd omstanders uit de buurt van het werkgebied.



Stel de machine niet bloot aan regen.



*Draag een veiligheidsbril.
Draag gehoorbescherming.*



Draag veiligheidshandschoenen.



Schakel de machine altijd uit en verwijder de accu eruit voor u de machine reinigt of onderhoud uitvoert.



Werp het product niet weg in ongeschikte containers.



Het product is in overeenstemming met de van toepassing zijnde veiligheidsnormen in de Europese richtlijnen.

ALGEMENE VEILIGHEIDSVOORSCHRIFTEN



WAARSCHUWING! Lees alle veiligheids-waarschuwingen en alle instructies. Het niet opvolgen van onderstaande instructies kan leiden tot een elektrische schok, brand en/of ernstig persoonlijk letsel.

Bewaar deze instructies.

De term “elektrisch gereedschap” in onderstaande waarschuwingen heeft betrekking op zowel apparatuur met een vaste elektriciteitskabel als op apparatuur met een accu (draadloze apparatuur).

1) Werkgebied

- a) **Zorg voor een opgeruimde en goed verlichte werkomgeving.** Rommelige en donkere werkomgevingen leiden tot ongelukken.
- b) **Gebruik elektrisch gereedschap nooit in een omgeving waar explosiegevaar bestaat, zoals in de nabijheid van ontvlambare vloeistoffen, gassen, dampen of andere stoffen.** Elektrische gereedschappen kunnen vonken veroorzaken, die deze stoffen tot ontbranding kunnen brengen.
- c) **Wanneer u elektrisch gereedschap gebruikt, houd dan kinderen en omstanders op afstand.** Wanneer u wordt afgeleid, kunt u de controle over het gereedschap verliezen.

2) Elektrische veiligheid

- a) **Stekkers van elektrische gereedschappen moeten probleemloos passen op het stopcontact. Breng nooit wijzigingen aan in of aan de stekker. Gebruik geen adapters voor geaarde elektrische gereedschappen.** Standaardstekkers en passende stopcontacten verkleinen de kans op een elektrische schok.
- b) **Voorkom lichamelijk contact met geaarde oppervlakken van bijvoorbeeld pijpen, leidingen, radiatoren, fornuizen en koelkasten.** Wanneer uw lichaam geaard is, wordt de kans op een elektrische schok groter.
- c) **Stel elektrische gereedschappen nooit bloot aan regen of vocht.** Wanneer er water binnendringt in een elektrisch gereedschap, wordt de kans op een elektrische schok groter.
- d) **Gebruik het snoer niet om het elektrisch gereedschap te dragen, te verplaatsen of de stekker uit het stopcontact te trekken. Bescherm het snoer tegen olie, warmte, scherpe randen en bewegende delen.** Beschadigde of vastzittende snoeren vergroten de kans op een elektrische schok.
- e) **Wanneer u elektrische gereedschappen buiten gebruikt, gebruik dan een verlengkabel die geschikt is voor buitengebruik.** Door een kabel te gebruiken die geschikt is voor buitengebruik, wordt de kans op een elektrische schok kleiner.
- f) **Gebruik een aardlekbeveiliging (RCD) als niet te**

voorkomen is dat een powertool moet worden gebruikt in een vochtige omgeving. Gebruik van een RCD vermindert het risico van elektrische schokken.

3) Persoonlijke veiligheid

- a) **Blijf altijd alert, kijk goed wat u doet en gebruik uw gezonde verstand wanneer u een elektrisch gereedschap gebruikt. Gebruik geen elektrische gereedschappen wanneer u moe bent, of drugs, alcohol of medicijnen hebt gebruikt.** Eén moment van onachtzaamheid bij het gebruik van elektrische gereedschappen kan ernstige verwondingen tot gevolg hebben.
- b) **Gebruik persoonlijke beschermingsmiddelen. Draag altijd een veiligheidsbril.** Een gepast gebruik van veiligheidsvoorzieningen, zoals een stof masker, speciale werkschoenen met antislipzolen, een veiligheidshelm en gehoor bescherming verkleinen de kans op persoonlijk letsel.
- c) **Voorkom dat het gereedschap per ongeluk wordt gestart. Zorg dat de schakelaar op de UITpositie staat, voordat u de stekker in het stopcontact steekt.** Draag elektrisch gereedschap nooit met uw vinger op de schakelaar en steek ook nooit de stekker van ingeschakelde elektrische gereedschappen in het stopcontact: dit leidt tot ongelukken.
- d) **Verwijder alle instel en andere sleutels uit het elektrisch gereedschap voordat u hem inschakelt.** Instel en andere sleutels aan een ronddraaiend onderdeel van het elektrisch gereedschap kunnen tot verwondingen leiden.
- e) **Zorg dat u nooit uw evenwicht kunt verliezen; houd altijd twee voeten stevig op de vloer.** Hierdoor kunt u het elektrisch gereedschap in onverwachte situaties beter onder controle houden.
- f) **Zorg dat u geschikte kleding draagt. Draag geen loshangende kleding of sieraden. Houd uw haar, kleding en handschoenen uit de buurt van bewegende delen.** Loshangende kleding, sieraden en lang haar kunnen vast komen te zitten in bewegende delen.
- g) **Wanneer er voorzieningen zijn voor de aansluiting van stofafzuiginstallaties, zorg dan dat ze op de juiste wijze worden aangesloten en gebruikt.** Gebruik van deze voorzieningen vermindert de gevaren die door stof worden veroorzaakt.
- h) Denk niet dat doordat u gereedschap vaak

gebruikt, u wel weet hoe het allemaal werkt en dat u de veiligheidsbeginselen voor het gebruik van het gereedschap wel kunt negeren. Een onbezonnen actie kan in een fractie van een seconde ernstig letsel tot gevolg hebben.

4) Gebruik en onderhoud van elektrisch gereedschap

- a) **Oefen geen overmatige kracht uit op elektrisch gereedschap. Gebruik het juiste gereedschap voor uw specifieke toepassing.** Met het juiste elektrische gereedschap voert u de taak beter en veiliger uit wanneer dit op de snelheid gebeurt waarvoor het apparaat is ontworpen.
- b) **Gebruik nooit elektrisch gereedschap waarvan de AAN/UITschakelaar niet werkt.** Ieder elektrisch gereedschap dat niet kan worden in en uitgeschakeld met de schakelaar is gevaarlijk en moet worden gerepareerd.
- c) **Trek de stekker uit het stopcontact voordat u wijzigingen aanbrengt aan elektrische gereedschappen, accessoires verwisselt of het elektrisch gereedschap opbergt.** Wanneer u zich aan deze preventieve veiligheidsmaatregelen houdt, beperkt u het risico dat het gereedschap per ongeluk wordt gestart.
- d) **Berg elektrisch gereedschap dat niet in gebruik is op buiten bereik van kinderen en laat personen die niet bekend zijn met het gereedschap of deze instructies het apparaat niet gebruiken.** Elektrisch gereedschap is gevaarlijk in de handen van ongeëfende gebruikers.
- e) **Zorg voor een goed onderhoud van elektrisch gereedschap. Controleer of bewegende delen op de juiste wijze zijn vastgezet. Controleer ook of er geen onderdelen defect zijn of dat er andere omstandigheden zijn die van invloed kunnen zijn op de werking van het gereedschap. Laat het gereedschap bij beschadigingen repareren vóór gebruik.** Veel ongelukken worden veroorzaakt door slecht onderhoud van het gereedschap.
- f) **Zorg dat snij en zaagwerktuigen scherp en schoon blijven.** Goed onderhouden snij en zaagwerktuigen met scherpe randen zullen minder snel vastlopen en zijn eenvoudiger onder controle te houden.
- g) **Gebruik alle elektrische gereedschappen, accessoires, bitjes etc., zoals aangegeven in deze instructies en op de wijze waarvoor het gereedschap is ontworpen. Houd daarbij rekening met de werkomstandigheden en de uit te voeren taak.** Gebruik van elektrisch gereedschap voor handelin-

gen die afwijken van de taken waarvoor het apparaat is ontworpen kunnen leiden tot gevaarlijke situaties.

- h) **Houd handgrepen en greepoppervlakken droog, schoon en vrij van olie en vet.** Gladde handgrepen en greepoppervlakken maken veilig werken en controle over het gereedschap in onverwachte situaties onmogelijk.

5) Gebruik en onderhoud accugereedschap

- a) **Laad alleen op met de lader die door de fabrikant is gespecificeerd.** Een lader die voor een bepaalde accu geschikt is, kan brand veroorzaken wanneer deze met een andere accu wordt gebruikt.
- b) **Gebruik elektrisch gereedschap alleen met de speciaal hiervoor bedoelde accu's.** Gebruik van andere accu's kan kans op letsel en brand geven.
- c) **Wanneer de accu niet in gebruik is, houd deze dan uit de buurt van andere metalen voorwerpen zoals paperclips, munten, sleutels, spijkers, schroeven of andere kleine metalen voorwerpen die een verbinding tussen twee polen kunnen maken.** Kortsluiting tussen de accupolen kan brandwonden of brand veroorzaken.
- d) **Wanneer de accu niet juist wordt gebruikt, kan er vloeistof uit lopen; raak dit niet aan. Wanneer dit per ongeluk wel gebeurt, spoel dan met water. Wanneer de vloeistof in de ogen komt, moet u een arts raadplegen.** De vloeistof uit de accu kan irritaties of brandwonden veroorzaken.
- e) **Gebruiken niet een accu of gereedschap dat beschadigd is of gemodificeerd.** Beschadigde of gemodificeerde accu's kunnen onvoorspelbaar gedrag vertonen, wat brand, explosie of een risico van letsel met zich meebrengt.
- f) **Stel een accu over het gereedschap niet bloot aan open vuur of een uitzonderlijk hoge temperatuur.** Blootstelling aan vuur of een temperatuur hoger dan 130 °C, kan een explosie veroorzaken. NB De temperatuur van "130 °C" kan worden vervangen door de temperatuur van "265 °F".
- g) **Houd u aan alle instructies voor het laden en laad de accu of het gereedschap niet op buiten het temperatuurbereik dat in de instructies wordt aangeduid.** Op een onjuiste wijze laden of laden bij temperaturen buiten het aangeduide bereik kan de accu beschadigen en het risico van brand doen toenemen.

6) Service

- a) **Laat uw gereedschap onderhouden door een gekwalificeerde onderhoudstechnicus die alleen gebruikmaakt van identieke vervangingsonderdelen.** Dit zorgt ervoor dat de veiligheid van de powertool intact blijft.
- b) **Voer nooit servicewerkzaamheden uit aan beschadigde accu's.** Alleen de fabrikant of geautoriseerde service-providers mogen servicewerkzaamheden aan accu's uitvoeren.

AANVULLENDE VEILIGHEIDSLINSTRUCTIE VOOR HEGGENSCHAAR

- Houd het terrein waar u werkt schoon en opgeruimd.
- Houd de heggenschaar altijd op juiste wijze vast. Houd de heggenschaar tijdens het werken met beide handen vast.
- Gebruikt u een hulpmiddel om op hoogte te kunnen werken, let er dan op dat het stabiel is en niet kan omvallen - reik nooit buiten uw macht.
- Stel elektrisch gereedschap niet bloot aan regen en natte omstandigheden. Gebruik elektrisch gereedschap niet op een plaats waar er gevaar is voor brand of explosie - bijv. in de buurt van brandbare vloeistoffen of gassen.
- Laat niet kinderen toe op het terrein waar u aan het werk bent.
- Laat niet kinderen of andere mensen elektrisch gereedschap aanraken.
- Laat het elektrisch gereedschap niet onbeheerd achter.
- Berg het gereedschap op een droge plaats op, ruim buiten bereik van kinderen.
- Gebruik altijd een veiligheidsbril en veiligheids handschoenen. Wij adviseren u ook gehoorbescherming te gebruiken.
- Draag de juiste kleding - geen losse kleding of sieraden en zorg ervoor dat kledingstukken niet in contact kunnen komen met bewegende onderdelen.
- Heeft u lang haar, bind het dan veilig op uw rug zodat het niet verstrikt kan raken in bewegende onderdelen.
- Controleer elektrisch gereedschap, voordat u het gebruikt, eerst op beschadigde onderdelen en, laat eventuele beschadigde onderdelen vervangen door nieuwe voordat u het gereedschap gebruikt.
- Gebruik elektrisch gereedschap niet wanneer u

moe bent of wanneer u alcohol heeft gedronken.

- Oefen geen grote kracht op het apparaat uit - laat het werken op de snelheid waarvoor het is bedoeld.
- Reik tijdens het werken niet buiten uw macht - u zou uw evenwicht kunnen verliezen.
- Gebruik dit apparaat nooit zonder dat de beschermkap van het snijmes is gemonteerd. De kap moet altijd gemonteerd blijven.
- Gebruik alleen onderdelen en hulpstukken die worden geleverd door VONROC. Gebruik van hulpstukken die niet door VONROC worden geleverd of aanbevolen, zal de garantie doen vervallen en kan gevaarlijk zijn.
- Gebruik dit apparaat alleen voor toepassingen waarvoor het is bedoeld - het knippen van heggen en struiken.



Ga vooral voorzichtig te werk!



Gevaar!

Houd alle lichaamsdelen weg bij de maaibladen. Verwijder geen gemaaid materiaal en houd niet te maaien materiaal vast wanneer de bladen in beweging zijn. Controleer dat de heggenschaar is uitgeschakeld wanneer u vastgelopen materiaal weghaalt. Een ogenblik van onoplettendheid tijdens het werken met de heggenschaar kan ernstig persoonlijk letsel tot gevolg hebben.

- **Draag de heggenschaar aan de handgreep terwijl het maaiblad stilstaat. Plaats altijd de transportbeveiliging wanneer u de heggenschaar vervoert of opbergt.** Door de heggenschaar op juiste manier te hanteren voorkomt u mogelijk letsel als gevolg van aanraking van de maaibladen.
- De snijelementen blijven nog bewegen wanneer de motor is uitgeschakeld.
- Controleer de kabel op beschadiging voordat u de werkzaamheden aanvangt, en vervang de kabel als dat nodig is. Inspecteer en onderhoud de heggenschaar regelmatig. Laat de heggenschaar uitsluitend repareren door een geautoriseerde servicemonteur.
- Inspecteer de heg of de struiken op vreemde voorwerpen zoals afrasteringen
- Houd uw handen en voeten altijd weg bij het gebied waar u knipt.
- Houd de heggenschaar altijd op een veilige

afstand van uw lichaam.

- Draag altijd een veiligheidsbril.
- Draag altijd handschoenen.
- Werk met de heggenschaar uitsluitend bij daglicht.
- Let erop dat de ventilatie-openingen altijd vrij zijn van vuil.
- Let erop dat er geen mensen of dieren mogen zijn op een afstand van minder dan 5 m van het gebied waar u knipt.
- Trek de stekker uit het stopcontact voordat u onderhoudswerkzaamheden uitvoert.
- Na gebruik moet u het gereedschap zo opbergen dat het snijblad niet onbedekt is.
- Houd het elektrisch gereedschap uitsluitend vast aan de geïsoleerde handgrepen, omdat het maaiblad verborgen bedrading kan raken. Wanneer het maaiblad bedrading onder spanning raakt, kan het gereedschap onder stroom komen te staan en de gebruiker een elektrische schok geven.

AANVULLENDE VEILIGHEIDSWAARSCHUWINGEN VOOR SNOERLOZE HEGGENSCHAAR

- Laad de heggenschaar niet op in de regen, of op natte locaties.
- Gebruik de accu-heggenschaar niet in de regen.
- Neem de accu uit of koppel de accu los voor u onderhouds- of schoonmaakwerk uitvoert of materiaal uit de heggenschaar verwijdert.
- Gooi de accu('s) niet in het vuur. De cel zou kunnen exploderen. Ga na of er ter plaatse voorschriften zijn met speciale aanwijzingen voor het opruimen van accu's.

2. TECHNISCHE INFORMATIE

Bedoeld gebruik

De heggenschaar is uitsluitend bedoeld voor het knippen van takken van struiken, heesters, sierplanten en heggen.

TECHNISCHE SPECIFICATIES

Modelnr.	HT501DC
Nominale spanning	20V
Onbelaste snelheid	1.400/min.
Snijlengte	510mm
Snijbreedte	14mm
Gewicht	2.15 kg

LPA (geluidsdruk)	79.1 dB (A), KpA=3 dB (A)
LWA (geluidsdruk)	90.1 dB (A), KwA=3 dB (A)
Trillingswaarde	1.937 m/s ² K=1.5 m/s ²

VONROC VPOWER 20V accu-platform. Gebruik van andere accu's kan leiden tot ernstig letsel of tot beschadiging van het gereedschap.

CD801AA 20V, 2Ah Lithium-Ion
CD803AA 20V, 4Ah Lithium-Ion

De volgende lader kan worden gebruikt voor het opladen van deze accu's.

CD802AA Snellader

De accu's van het VONROC VPOWER 20V accu-platform kunnen worden gewisseld tussen alle gereedschappen van het VONROC VPOWER 20V accu-platform.

Trillingsniveau

Het trillingsemissieniveau, dat in deze gebruiksaanwijzing wordt vermeld, is gemeten in overeenstemming met een gestandaardiseerde test volgens EN60745; deze mag worden gebruikt om twee machines met elkaar te vergelijken en als voorlopige beoordeling van de blootstelling aan trilling bij gebruik van de machine voor de vermelde toepassingen

- gebruik van de machine voor andere toepassingen, of met andere of slecht onderhouden accessoires, kan het blootstellingsniveau aanzienlijk verhogen
- wanneer de machine is uitgeschakeld of wanneer deze loopt maar geen werk verricht, kan dit het blootstellingsniveau aanzienlijk reduceren

Bescherm uzelf tegen de gevolgen van trilling door de machine en de accessoires te onderhouden, uw handen warm te houden en uw werkwijze te organiseren.

BESCHRIJVING

De nummers in de tekst verwijzen naar de diagrammen op pagina 2-3.

1. Schakelaar Aan / Uit
2. Accu (niet inbegrepen)
3. Ontgrendelknop accu
4. Maaiblad
5. Ontgrendelingshendel voor beschermkap

6. Voorste handgreep
7. Veiligheidsschakelaar
8. Transportbeveiliging

3. ASSEMBLAGE



Neem altijd voor werkzaamheden aan het elektrische gereedschap de accu uit het gereedschap. De accu moet zijn opgeladen voordat deze voor het eerst wordt gebruikt.

De voorste handgreep monteren (Afb. B)

1. Zet de voorste handgreep (6) op de machine, zoals wordt getoond in afbeelding B.
2. Monteer de voorste handgreep (6) door de vier schroeven vast te zetten.

De beschermkap monteren (Afb. C)



U mag de heggenschaar niet gebruiken zonder de beschermkap.

1. Zet de beschermkap (5) op de machine, zoals wordt getoond in afbeelding C.
2. Monteer de beschermkap (5) door de twee schroeven vast te zetten.

De accu in de machine plaatsen (Afb. A, D)



Zorg ervoor dat het oppervlak van de accu schoon en droog is voordat u deze op de acculader of de machine aansluit.

1. Plaats de accu (2) in de onderkant van de machine, zoals is weergegeven in Fig. D.
2. Duw de accu verder naar voren tot deze vastklikt.

De accu van de machine verwijderen (Afb. A, D)

1. Duw op de ontgrendelingsknop van de accu (3)
2. Trek de accu uit de machine zoals afgebeeld in Fig. D.

4. BEDIENING



Voer altijd een visuele inspectie uit voordat u het gereedschap gebruikt, om te zien of de snijbladen, de bouten van de snijbladen en het zwaard niet versleten of beschadigd zijn.



U mag de heggenschaar niet gebruiken zonder de beschermkap.



Houd de heggenschaar met beide handen vast en houd het apparaat van uw lichaam vandaan.

Werken met uw eigen schaar

- Lees voor uw eigen veiligheid en voor het beste resultaat de volgende gebruiksaanwijzingen en gebruik dit product niet voor andere toepassingen dan de bedoelde.
- Deze heggenschaar is gemaakt voor het knippen van heggen en struiken. Alle andere toepassingen die niet specifiek in deze handleiding worden toegestaan, kunnen leiden tot beschadiging van de heggenschaar of tot verwonding van de gebruiker.

In-/Uitschakelen (Afb. A)

- Schakel de heggenschaar in door de veiligheidsschakelaar (7) en de startschakelaar (1) tegelijkertijd in te drukken.
- U kunt de heggenschaar uitschakelen door één of beide schakelaars los te laten.

Een heg knippen - beste methode

- U kunt met de heggenschaar heggen maar ook struiken knippen.
- De beste knipresultaten worden bereikt wanneer u het snijblad in een hoek van ongeveer 15° houdt.
- De tegenovergestelde roterende messen knippen aan beide zijden en u kunt dus de heg in beide richtingen knippen.
- Knip de zijkant van de heg in een boogvormige beweging van beneden naar boven.
- In het ideale geval is een heg onderaan breder dan bovenaan. Zo kan het licht beter doordringen in de heg en blijft de heg gezond. Knip beide zijden van de heg, indien mogelijk.
- Knip, wanneer u de zijden van de heg geknipt, van boven naar beneden. Zo zorgt u ervoor dat er geen geknipte takken van de heg uw zicht beperken of uw knipbewegingen belemmeren. U mag het mes niet met geweld diep in de heg steken. Knip met soepele bewegingen door het oppervlak van de heg.
- Knip de bovenzijde van de heg in een beweging die van u af is gericht, maar reik niet buiten uw macht. Het is veel verstandiger en veiliger langs de heg te lopen en binnen uw bereik te knippen terwijl u steeds op beide voeten blijft staan.

Transportbeveiliging

De heggenschaar is voorzien van een transportbeveiliging Kap (8) voor veilig transporteren van de machine.

5. ONDERHOUD



Schakel, voordat u met de reiniging en het onderhoud begint, altijd de machine uit en haal het accupack uit de machine.

Reinig de machinebehuizing regelmatig met een zachte doek, bij voorkeur iedere keer na gebruik. Zorg dat de ventilatiesleuven vrij van stof en vuil zijn. Gebruik bij hardnekkig vuil een zachte doek bevochtigd met zeepwater. Gebruik geen oplosmiddelen als benzine, alcohol, ammonia, etc. Dergelijke stoffen beschadigen de kunststof onderdelen.

Maaiblad

- Draag altijd handschoenen wanneer u het maaiblad hanteert of schoonmaakt.
- Maak het maaiblad schoon en spuit er steeds na gebruik wat beschermende olie op. Wij adviseren u tijdens lange werkperiodes het maaiblad regelmatig met een beschermende olie te smeren.
- Voer een visuele inspectie uit van de staat waarin het maaiblad verkeert. Controleer dat de schroeven stevig vastzitten in het zwaard.
- Let erop dat de beschermkap van het maaiblad op de machine is geplaatst.

Opslag

De heggenschaar moet op een veilige droge plaats worden bewaard, goed buiten bereik van kinderen. Plaats er geen andere voorwerpen bovenop.

MILIEU



Defecte en/of afgedankte elektrische of elektronische gereedschappen dienen ter verwerking te worden aangeboden aan een daarvoor verantwoordelijke instantie.

Uitsluitend voor EG-landen

Werp elektrisch gereedschap niet weg bij het huisvuil. Conform de Europese Richtlijn 2012/19/EG voor Afgedankte Elektrische en Elektronische Apparatuur en de implementatie ervan in nationaal recht moet niet langer te gebruiken elektrisch

gereedschap gescheiden worden verzameld en op een milieuvriendelijke wijze worden verwerkt.

GARANTIE

VONROC producten zijn ontworpen volgens de hoogste kwaliteitsstandaarden en gegarandeerd vrij van defecten, zowel materieel als fabrieksfouten, tijdens de wettelijk vastgestelde garantieperiode vanaf de eerste aankoopdatum. Mocht het product tijdens deze periode gebreken vertonen veroorzaakt door defecte materialen en/of fabrieksfouten, neem dan rechtstreeks contact op met VONROC.

De volgende situaties vallen niet onder de garantie:

- Er zijn reparaties of aanpassingen aan de machine uitgevoerd, of er is een poging daartoe ondernomen, door een niet geautoriseerd servicecentrum.
- Normale slijtage.
- De machine is misbruikt, verkeerd gebruikt of slecht onderhouden.
- Er zijn niet-originale reserveonderdelen gebruikt

Dit vormt de enige garantie opgesteld door het bedrijf zowel expliciet als impliciet. Er bestaan geen andere garanties expliciet of impliciet welke verder gaan dan deze garantie, inclusief impliciete garanties van verkoopbaarheid en geschiktheid voor bepaalde doeleinden. In geen enkel geval kan VONROC aansprakelijk worden gesteld voor incidentele schade of gevolgschade. Reparaties van dealers zijn gelimiteerd tot de reparatie of vervanging van defecte producten of onderdelen.

Het product en de gebruikershandleiding zijn onderhevig aan wijzigingen. Specificaties kunnen zonder opgaaf van redenen worden gewijzigd.

1. CONSIGNES DE SECURITE

En plus des avertissements de sécurité suivants, veuillez également lire les avertissements de sécurité additionnels ainsi que les instructions. Le non-respect des avertissements de sécurité et des instructions peut entraîner une décharge électrique, un incendie et/ou des blessures graves. Veuillez conserver les avertissements de sécurité et les instructions pour consultation ultérieure.

Les symboles suivants sont utilisés dans le manuel d'utilisation ou apposés sur le produit:



Lisez le manuel d'utilisation.



Signale un risque de blessures, un danger mortel ou un risque d'endommagement de l'outil en cas de non-respect des instructions de ce manuel.



Risque de projection d'objets. Maintenez les passants à l'écart de la zone de travail.



Ne pas exposer à la pluie



Portez des lunettes de protection. Portez une protection auditive.



Portez des gants de sécurité.



Avant toute opération de nettoyage ou de maintenance, éteignez toujours la machine et retirez-en le bloc-batterie.



Ne jetez pas le produit dans des conteneurs qui ne sont pas prévus à cet effet.



Ne jetez pas le produit dans des conteneurs qui ne sont pas prévus à cet effet.

CONSIGNES GÉNÉRALES DE SÉCURITÉ



AVERTISSEMENT! Veuillez lire l'intégralité des avertissements de sécurité et des instructions. Le nonrespect de toutes les instructions indiquées cidessous peut entraîner un risque de choc électrique, d'incendie et/ou de blessures graves.

Conservez ces instructions.

Le terme "appareil électrique" mentionné dans tous les avertissements cidessous se rapporte à un appareil électrique qui se branche au réseau électrique (grâce à un câble d'alimentation) ou à un appareil électrique (sans fil) fonctionnant grâce à une batterie.

1) Espace de travail

- a) **Veillez toujours à garder votre espace de travail propre et bien éclairé.** Les espaces mal rangés et sombres peuvent être la cause d'accidents.
- b) **N'utilisez pas les appareils électriques dans des environnements susceptibles d'explosion, par exemple en présence de liquides inflammables, de gaz ou de particules.** Les appareils électriques provoquent des étincelles qui peuvent enflammer les particules des émanations.
- c) **Veillez à garder éloignés les enfants et les personnes se trouvant dans votre voisinage, lors de l'utilisation d'un appareil électrique.** Les distractions peuvent vous faire perdre le contrôle de l'appareil.

2) Mesures de sécurité électriques

- a) **Les prises des appareils électriques doivent être raccordées à la prise murale correspondante. Ne modifiez jamais la prise de l'appareil, de quelque façon que ce soit. N'utilisez pas d'adaptateurs qui mettent les appareils électriques à la terre (mise à la masse).** Des prises non modifiées et branchées à la prise murale correspondante réduiront les risques de choc électrique.
- b) **Évitez le contact direct avec les surfaces mises à la terre ou mises à la masse comme les canalisations, les radiateurs, les cuisinières et les réfrigérateurs.** En effet, le risque de choc électrique s'accrît si votre corps est mis à la terre ou à la masse.
- c) **N'utilisez pas d'outils électriques dans des environnements pluvieux ou humides.** Si de l'eau s'introduit dans un appareil électrique, le risque de choc électrique augmentera.
- d) **N'utilisez pas le câble de manière abusive. N'utilisez jamais le câble pour transporter, tirer ou débrancher l'appareil électrique. Veillez à garder le câble éloigné des sources de chaleur, des huiles, des rebords coupants ou des pièces actionnées.** Les câbles endommagés ou entremêlés augmentent le risque de choc électrique.
- e) **Lorsque un appareil est utilisé à l'extérieur,**

utilisez uniquement un câble prolongateur prévu à cet effet. L'utilisation d'un câble à usage extérieur réduit le risque de choc électrique.

- f) **Si vous êtes contraint d'utiliser un outil électrique dans un environnement humide, utilisez une alimentation protégée par un dispositif à courant résiduel (RCD).** L'utilisation d'un RCD réduit le risque de décharge électrique.
- #### 3) Sécurité personnelle
- a) **Restez vigilant, gardez un œil sur ce que vous faites et utilisez votre sens commun lors de l'utilisation d'un appareil électrique. N'utilisez pas un appareil électrique si vous êtes fatigué ou si vous êtes sous l'influence de drogues, d'alcool ou si vous prenez des médicaments.** Un moment d'inattention lors de l'utilisation des appareils électriques peut entraîner des blessures graves.
 - b) **Utilisez un équipement de protection personnelle. Protégez-vous toujours les yeux.** Les équipements de protection, tels qu'un masque à poussière, des chaussures antidérapantes, des protections auditives ou un casque de sécurité, utilisés dans de bonnes conditions, réduiront le risque de blessures.
 - c) **Prévenez tout démarrage involontaire. Assurez-vous que l'interrupteur est sur la position "arrêt avant de brancher l'appareil.** En effet, le transport des appareils électriques en gardant vos doigts sur l'interrupteur, ou le branchement de ces appareils en ayant l'interrupteur sur "marche accidents.
 - d) **Retirez les clés de réglage ou les clés de vis de réglage avant d'allumer l'appareil électrique.** Une clé de vis de réglage ou une clé, laissée sur une pièce en mouvement de l'appareil électrique, peut entraîner des lésions corporelles.
 - e) **Ne pas se précipiter. Gardez toujours vos pieds à plat et gardez votre équilibre.** Ceci permet de mieux contrôler l'appareil électrique dans des situations imprévues.
 - f) **Habillez-vous convenablement. Ne portez pas de vêtements lâches ou de bijoux. Gardez vos cheveux, vêtements et gants éloignés des pièces actionnées.** En effet, ces derniers peuvent être pris dans les pièces en action.
 - g) **Si les appareils sont fournis pour la connexion des équipements d'évacuation et de récupération de la poussière, assurez-vous que ces derniers soient correctement connectés et uti-**

- lisés.** L'utilisation de ces appareils peut réduire les risques liés à la poussière.
- h) **Ne pensez pas être familiarisé avec l'outil après l'avoir utilisé à de nombreuses reprises, au point de ne plus rester vigilant et d'en oublier les consignes de sécurité.** Toute action imprudente peut engendrer de graves blessures en une fraction de seconde.
- 4) **Utilisation et entretien d'un appareil électrique**
- a) **Ne forcez pas l'appareil électrique. Utilisez l'appareil électrique adéquat pour votre application.** Un appareil électrique correctement choisi assurera un meilleur travail et un travail sans danger, au rythme auquel il a été conçu.
- b) **N'utilisez pas l'appareil électrique si l'interrupteur marche/arrêt ne fonctionne pas.** Un appareil électrique qui ne peut pas être commandé par l'interrupteur de contrôle est dangereux et doit être réparé.
- c) **Débranchez la prise du bloc d'alimentation avant d'effectuer des réglages, de changer des accessoires, ou de ranger les appareils électriques.** Ces mesures de sécurité préventives réduiront le risque de démarrage involontaire de l'appareil électrique.
- d) **Rangez les appareils électriques arrêtés hors de la portée des enfants et ne laissez aucune personne, non familiarisée avec l'outil ou ces instructions, utiliser l'appareil électrique.** Les appareils électriques sont dangereux entre les mains d'utilisateurs non formés.
- e) **Entretenez les appareils électriques. Vérifiez tout défaut d'alignement et l'enchaînement des pièces actionnées, la rupture de ces dernières, et les autres conditions qui peuvent affecter le fonctionnement des appareils électriques. En cas de dommages, faites réparer l'appareil électrique avant de le réutiliser.** Nombreux sont les accidents provoqués par des appareils électriques mal entretenus.
- f) **Veillez à garder les outils coupants aiguisés et propres.** Des outils coupants correctement entretenus avec des lames aiguisées sont moins susceptibles de se bloquer et sont plus faciles à contrôler.
- g) **Utilisez l'appareil électrique, les accessoires et les embouts, etc., conformément à ces instructions et de la manière prévue pour le type spécifique de l'appareil électrique, en prenant en compte les conditions de travail et le travail à effectuer.** L'utilisation de l'appareil électrique dans des applications différentes de celles prévues peut entraîner des situations dangereuses.
- h) **Gardez les poignées et les surfaces de préhension sèches, propres et exemptes d'huile et de graisse.** Des poignées et des surfaces de préhension glissantes ne permettent pas de manipuler et de contrôler l'outil correctement en cas de situations inattendues.
- 5) **Utiliser et soigner les outils à batterie**
- a) **Rechargez la batterie uniquement avec le chargeur spécifié par le fabricant.** Un chargeur adapté à une certaine batterie peut être cause de danger d'incendie quand on l'utilise avec une batterie différente.
- b) **Utilisez chaque outil uniquement avec la batterie conçue pour lui.** L'utilisation de toute autre batterie peut être cause de danger de blessure ou d'incendie.
- c) **Lorsque une batterie n'est pas en usage, gardez-la hors d'atteinte d'objets métalliques tels que les trombones, pièces de monnaie, clés, clous, vis et autres petits objets métalliques pouvant faire le contact entre une borne et l'autre.** Un court-circuit entre les bornes de la batterie peut être cause de brûlures ou d'incendie.
- d) **Dans des circonstances extrêmes, du liquide peut gicler hors de la batterie ; évitez tout contact. En cas de contact accidentel, rincez à l'eau. En cas de contact du liquide avec les yeux, consultez un médecin.** Le liquide qui gicle d'une batterie peut causer irritations ou brûlures.
- e) **N'utilisez pas un bloc-batterie ou un outil endommagé ou modifié.** Une batterie endommagée ou altérée peut avoir un comportement imprévisible qui peut conduire à un incendie, une explosion ou un risque de blessure.
- f) **N'exposez pas le bloc-batterie ou l'outil au feu ou à des températures excessives.** L'exposition au feu ou à des températures dépassant 130 °C peut provoquer une explosion. REMARQUE La température de "130°C" peut être remplacé par la température de "265°F".
- g) **Respectez les instructions pour la charge et ne rechargez pas le bloc-batterie ou l'outil à une plage de températures hors de celle spécifiée dans les instructions.** Une charge mal effectuée ou à des températures hors de la plage spécifiée peut endommager la batterie et augmente le risque d'incendie.

6) Maintenance

- a) **L'entretien de votre outil électrique doit être confié à un réparateur qualifié qui utilise uniquement des pièces de rechange identiques aux pièces d'origine.** Cela permet d'assurer la sécurité de l'outil électrique
- b) **Ne réparez jamais des blocs-batteries endommagés.** Les réparations sur les blocs-batteries ne doivent être effectuées que par le fabricant ou l'un de ses prestataires de services agréés.

CONSIGNES DE SÉCURITÉ SUPPLÉMENTAIRES RELATIVES AUX TAILLE-HAIES

- Tenir la zone de travail propre et ordonnée.
- Veillez à toujours tenir le taille-haie correctement. Utilisez vos deux mains pour utiliser la machine.
- En cas d'utilisation de moyens de support pour se surélever par rapport au sol, s'assurer qu'ils sont stables et ne peuvent pas basculer - ne jamais trop se pencher.
- Ne pas utiliser les outils électriques sous la pluie ou dans des lieux mouillés.
- Ne pas utiliser les outils électrique en cas de risque d'explosion - par ex. à proximité de liquides ou de gaz inflammables.
- Ne pas autoriser la présence des enfants dans la zone de travail.
- Ne pas laisser les enfants ou les autres personnes toucher les outils électriques.
- Ne pas laisser l'outil électrique sans surveillance.
- Le ranger dans un lieu sec hors de portée des enfants.
- Toujours utiliser des lunettes de sécurité et des gants. Nous recommandons également l'utilisation de protection auditives.
- Porter les vêtements appropriés - pas de vêtements lâches ni de bijoux et s'assurer que les vêtements ne peuvent pas entrer en contact avec les parties mobiles.
- En cas de cheveux longs, les attacher de manière sûre pour éviter qu'ils ne s'enchevêtrent dans les parties mobiles.
- Avant d'utiliser tout outil électrique, vérifier d'abord l'absence de pièces endommagées et, dans le cas contraire, ne pas utiliser l'outil avant d'avoir remplacé la ou les pièces par des pièces neuves.
- Ne pas utiliser les outils électriques en cas de fatigue ou après avoir consommé de l'alcool.
- Ne pas forcer l'appareil - le laisser fonctionner au rythme pour lequel il a été prévu.

- Ne pas trop se pencher durant le travail - risque de perdre l'équilibre.
- Ne jamais utiliser cet appareil si le carter de lame n'est pas installé. Il doit toujours rester installé.
- Utiliser uniquement des pièces de rechange et des accessoires fournis par VONROC. L'utilisation d'accessoires différents de ceux qui sont fournis ou recommandés par VONROC annulera la garantie et pourrait être dangereuse.
- Utiliser cet appareil uniquement dans le but prévu - la coupe des haies et des buissons.



Faire attention avant tout !



Danger !

- **Gardez toutes les parties de votre corps loin de la lame. Ne retirez pas les chutes et ne tenez pas les éléments à couper lorsque les lames sont en mouvement. Assurez-vous que l'interrupteur est à l'arrêt avant de retirer d'éventuelles chutes restées coincées.** Tout moment d'inattention lors de l'utilisation du taille-haie peut entraîner de graves blessures.
- **Transportez le taille-haie par la poignée, lame à l'arrêt. Installez toujours le fourreau de protection avant de transporter ou de ranger le taille-haie.** La bonne manipulation du taille-haie permet de réduire le risque de blessure possible avec les lames.
- Les éléments de coupe continuent leur mouvement après l'arrêt du moteur.
- Vérifier l'absence de dégâts sur le câble avant de commencer le travail et le remplacer si nécessaire. Inspecter et entretenir régulièrement le taille-haie. Faire réparer le taille-haie par un réparateur agréé uniquement.
- Contrôlez l'absence de corps étrangers (clôture grillagée par exemple) dans la haie ou les buissons
- Tenir les mains et les pieds éloignées en permanence de la zone de coupe.
- Toujours tenir le taille-haie à une distance de sécurité du corps.
- Toujours porter des lunettes de protection.
- Toujours porter des gants.
- Utiliser le taille-haie uniquement à la lumière du jour.
- S'assurer que les ouvertures d'aération sont exemptes en permanence de débris.
- S'assurer qu'aucune personne et aucun animal

ne se trouve à moins de 5 mètres de la zone de coupe.

- Débrancher la fiche de la prise de courant avant d'entreprendre tout entretien.
- Après l'utilisation, l'outil doit être rangé de sorte que la lame ne soit pas exposée.
- Ne tenez l'outil électrique que par ses surfaces de préhension isolées car il est possible que la lame entre en contact avec des fils cachés. Tout contact de la lame avec un fil sous tension peut mettre les parties métalliques exposées de l'outil sous tension et provoquer une décharge électrique à l'utilisateur.

AVERTISSEMENTS DE SÉCURITÉ SUPPLÉMENTAIRES PROPRES AUX TAILLE-HAIES SANS-FIL


- Ne rechargez pas le taille-haie sous la pluie ou dans des endroits humides.
- N'utilisez pas le taille-haie sur batterie sous la pluie.
- Retirez ou débranchez le bloc-batterie avant de toute opération de révision, de nettoyage ou avant de retirer les d'éventuels résidus sur le taille-haie.
- Ne jetez pas la/les batterie(s) au feu. La cellule pourrait exploser. Consultez les prescriptions de mise au rebut spécifiques de votre réglementation locale.

2. INFORMATIONS RELATIVES A LA MACHINE

Utilisation prévue

Ce taille-haie n'a été conçu que pour couper les branches des buissons, arbustes, plantes ornementales et haies.

SPECIFICATIONS TECHNIQUES

N° de modele	HT501DC
Tension nominale	20V 
Vitesse à vide	1.400/min.
Longueur de coupe	510mm
Largeur de coupe	14mm
Poids	2.15 kg
LPA (pression sonore)	79.1 dB (A), KpA=3 dB (A)
LWA (puissance sonore)	90.1 dB (A), KwA=3 dB (A)
Valeurs de vibrations	1.937 m/s ² K=1.5 m/s ²

N'utilisez que les batteries suivantes de la plateforme Batterie VONROC VPOWER 20V. L'utilisation de toute autre batterie pourrait provoquer de graves blessures ou endommager l'outil.

CD801AA 20V, 2Ah Lithium-Ion

CD803AA 20V, 4Ah Lithium-Ion

Le chargeur suivant peut être utilisé pour recharger ces batteries.

CD802AA Chargeur rapide

Les batteries de la plateforme Batterie VONROC VPOWER 20V sont interchangeables pour tous les outils de la plateforme Batterie VONROC VPOWER 20V.

Niveau de vibrations

Le niveau des vibrations émises, indiqué dans ce manuel, a été mesuré conformément à la procédure décrite par la norme EN60745. Il peut être utilisé pour comparer deux outils ou pour réaliser une estimation préalable de l'exposition aux vibrations lors de l'utilisation de l'outil pour les applications mentionnées.

- L'utilisation de l'outil dans d'autres applications ou avec des accessoires différents ou mal entretenus peut considérablement augmenter le niveau d'exposition.
- La mise hors tension de l'outil et sa non-utilisation pendant qu'il est allumé peuvent considérablement réduire le niveau d'exposition. Protégez-vous contre les effets des vibrations par un entretien correct de l'outil et de ses accessoires, en vous échauffant les mains et en organisant vos rythmes de travail.

DESCRIPTION

Les numéros dans le texte se rapportent aux schémas de la page 2-3.

1. Interrupteur marche/arrêt
2. Batterie (non inclus)
3. Bouton de déverrouillage de la batterie
4. Lame
5. Carter de protection
6. Poignée avant
7. Interrupteur de sécurité
8. Fourreau pour le transport

3. MONTAGE



Avant tous travaux sur l'outil électroportatif, sortez l'accu.



Vous devez charger la batterie avant la première utilisation.

Installer la poignée avant (Fig. B)

1. Installez la poignée avant (6) sur la machine, comme illustré par la figure B.
2. Fixez la poignée avant (6) en serrant les quatre vis.

Installer le carter de protection (Fig. C)



Ne pas utiliser le taille-haie sans le carter de Protection

1. Installez le carter de protection (5) sur la machine, comme illustré par la figure C.
2. Fixez le carter de protection (5) en serrant les deux vis.

Insertion de la batterie dans la machine (Fig. A, D)



Vérifiez que la surface extérieure de la batterie est propre et sèche avant de brancher le chargeur ou la machine.

1. Insérez la batterie (2) dans la base de la machine, comme illustré à la Fig. D.
2. Poussez la batterie vers l'avant jusqu'à ce qu'elle s'enclenche.

Retrait de la batterie de la machine (Fig. A, D)

1. Poussez les bouton de déverrouillage de la batterie (3)
2. Retirez la batterie de la machine, comme illustré à la Fig. D.

4. UTILISATION



Avant l'utilisation, toujours effectuer une inspection visuelle pour vérifier que les lames, les boulons de lame et l'assemblage de coupe ne sont pas usés ni endommagés.



Ne pas utiliser le taille-haie sans le carter de Protection



Utilisez toujours vos deux mains pour tenir le taille-haie et tenez-le loin de votre corps.

Utilisation du taille-haie

- Pour des raisons de sécurité et pour obtenir le meilleur résultat, lire les conseils d'utilisation suivants et ne pas utiliser ce produit dans tout autre but que celui qui a été prévu.
- Ce taille-haie est conçu pour couper les haies et les buissons. Toute autre utilisation non spécifiquement autorisée dans ce manuel peut conduire à des dégâts pour le taille-haie ou des blessures pour l'utilisateur.

Mise en marche et extinction (Fig. A)

- Pour mettre en marche le taille-haie, appuyer simultanément sur l'interrupteur de sécurité (7) et l'interrupteur de démarrage (1).
- Pour arrêter, relâcher l'un des deux interrupteurs.

Meilleure méthode pour tailler une haie

- En plus des haies, le taille-haie peut aussi être utilisé pour couper les buissons.
- Le meilleur résultat de coupe est obtenu en tenant la lame à un angle d'environ 15°.
- Les couteaux rotatifs opposés coupent des deux côtés et il est donc possible de tailler la haie dans les deux sens.
- Le côté de la haie est coupé en effectuant des mouvements courbes de bas en haut.
- Idéalement, la haie doit être plus large sur la partie inférieure que sur la partie supérieure. Cela permettra une meilleure pénétration de la lumière pour une haie plus saine. Si possible, couper les deux côtés de la haie.
- Lors de la coupe des côtés de la haie, tailler de bas en haut. Cela assurera l'absence de morceaux de haie qui masquent ou interfèrent avec vos mouvements de coupe. La lame ne doit pas être forcée à couper trop en profondeur. Tailler légèrement la surface de la haie.
- Lors de la coupe du sommet de la haie, toujours tailler en s'éloignant du corps mais sans trop se pencher. Il est beaucoup plus sage et sûr de se déplacer et de couper la haie à portée tout en restant sur ces deux pieds à la fois.

Sécurité pendant le transport

Le taille-haie est équipé d'un fourreau de protection (8) qui permet de transporter la machine en toute sécurité.

5. ENTRETIEN



Avant le nettoyage et l'entretien, mettez toujours la machine hors tension et retirez la batterie de la machine.

Nettoyez le corps de la machine régulièrement au moyen d'un chiffon doux, de préférence après chaque utilisation. Vérifiez que les ouvertures d'aération ne sont pas obstruées ni sales. Utilisez un chiffon doux légèrement humidifié avec de la mousse de savon pour nettoyer les taches persistantes. N'utilisez pas de produits de nettoyage tels que l'essence, l'alcool, l'ammoniac, etc.; ces produits peuvent endommager les parties synthétiques.

Lame

- Portez toujours des gants pour manipuler ou nettoyer la lame.
- Nettoyez la lame et pulvérisez-la d'un lubrifiant de protection après chaque utilisation. Nous recommandons de lubrifier la lame avec une huile protectrice à intervalles réguliers au cours des longues durées d'utilisation.
- Inspectez visuellement l'état de la lame. Contrôlez que les vis sont parfaitement serrées sur le guide-lame.
- Assurez-vous que le carter est bien installé sur la machine.

Stockage

Le taille-haie doit être rangé dans un endroit sûr et sec, hors de la portée des enfants. Ne posez aucun objet dessus.

ENVIRONNEMENT



Les équipements électroniques ou électriques défectueux ou destinés à être mis au rebut doivent être déposés aux points de recyclage appropriés.

Uniquement pour les pays de l'UE

Ne jetez pas les outils électriques avec les déchets domestiques. Selon la Directive européenne 2012/19/CE relative aux déchets d'équipements électriques et électroniques et sa mise en oeuvre dans le droit national, les outils électriques hors d'usage doivent être collectés séparément et mis au rebut de manière écologique.

GARANTIE

Les produits VONROC sont développés aux plus hauts standards de qualité et ils sont garantis contre les défauts de pièces et de main d'oeuvre pendant la durée légale stipulée à partir de la date d'achat d'origine du produit. En cas d'une quelconque panne du produit pendant cette durée qui serait due à un défaut matériel et/ou de main d'oeuvre, contactez directement VONROC.

Les circonstances suivantes ne sont pas prises en charge par la garantie:

- Des réparations ou altérations ont été effectuées ou tentées sur la machine par un centre de réparation non agréé.
- L'usure normale.
- L'outil a été maltraité, mal utilisé ou mal entretenu.
- Des pièces détachées non d'origine ont été utilisées

Ceci constitue l'unique garantie accordée par la société explicitement ou implicitement. Il n'existe aucune autre garantie, explicite ou implicite, qui peut s'étendre au delà du contenu ici présent, y compris les garanties marchandes ou d'adaptation à des fins particulières. En aucun cas VONROC ne sera tenu responsable de dommages accidentels ou consécutifs. Les solutions proposées par les revendeurs devront se limiter à la réparation ou le remplacement des éléments ou pièces non conformes.

Le produit et le manuel d'utilisation sont sujets à modifications. Les spécifications peuvent changer sans préavis.

1. INSTRUCCIONES DE SEGURIDAD

Lea las advertencias de seguridad, las advertencias de seguridad adicionales y las instrucciones adjuntas. De no respetarse las advertencias de seguridad y las instrucciones, podrían producirse descargas eléctricas, incendios y/o lesiones graves. Conserve las advertencias de seguridad y las instrucciones para su posterior consulta.

Los siguientes símbolos se utilizan en el manual de usuario o en el producto:



Lea el manual de usuario.



Denota riesgo de lesiones personales, pérdida de vida o daños a la herramienta en caso de incumplimiento de las instrucciones del presente manual.



Mantenga a los presentes a una distancia prudencial de la zona de trabajo.



No exponer a la lluvia.



Lleve gafas de seguridad.
Lleve protección auditiva.



Use guantes de seguridad.



Antes de realizar la limpieza y el mantenimiento, apague siempre la máquina y extraiga el paquete de baterías de la máquina.



No tire el producto en contenedores no apropiados.



El producto es conforme con las normas de seguridad vigentes en las Directivas Europeas.

INSTRUCCIONES GENERALES DE SEGURIDAD



PRECAUCIÓN! Lea todas las advertencias de seguridad y todas las instrucciones. Si no lo hace, el uso indebido puede acarrear cortocircuitos, fuego o lesiones graves.

Conserve estas instrucciones.

El término “herramienta eléctrica”, en todas las advertencias enumeradas a continuación se refiere a su herramienta eléctrica (i nalámbrica) que funciona con una batería o a través de la red eléctrica.

1) Área de trabajo

a) Trabaje en un lugar limpio y bien iluminado.

Lugares no iluminados o sucios propician accidentes.

b) No use herramientas eléctricas donde haya riesgo de fuego o explosión, p.ej: cerca de líquidos o gases inflamables, polvo etc.

Las herramientas eléctricas producen chispas que pueden producir la ignición de partículas de humo.

c) Mantenga a los niños y otras personas alejados mientras utiliza la herramienta eléctrica.

Las distracciones pueden hacer que pierda el control de la herramienta.

2) Seguridad eléctrica

a) Cerciórese de que las clavijas de la herramienta eléctrica están correctamente enchufadas. Nunca modifique la clavija. No utilice ningún adaptador para la clavija de una herramienta eléctrica con conexión a tierra.

Las clavijas que no se hayan cambiado y los enchufes adecuados reducen el riesgo de cortocircuitos.

b) Evite el contacto humano con superficies con conexiones a tierra como tubos metálicos, conductos, tubos de la calefacción, radiadores y refrigeradores.

El riesgo de cortocircuitos es mayor cuando el cuerpo está en contacto con el suelo.

c) No use herramientas eléctricas bajo la lluvia o en entornos húmedos. Si entra agua en una herramienta eléctrica aumenta el riesgo de cortocircuito.

d) No utilice el cable para todo. Nunca utilice el cable para mover la máquina, empujarla o sacar la clavija del enchufe. Mantenga el cable alejado del calor, aceite, zonas cortantes o piezas en movimiento. Los cables dañados o enredados aumentan el riesgo de cortocircuito.

e) Use un cable alargador impermeable adecuado para exteriores cuando trabaje con la herramienta eléctrica al aire libre.

El riesgo de cortocircuito es menor si utiliza un cable alargador adecuado para exteriores.

f) Si no se puede evitar el uso de la herramienta eléctrica en un lugar húmedo, use suministro

El riesgo de cortocircuito es menor si utiliza un cable alargador adecuado para exteriores.

f) Si no se puede evitar el uso de la herramienta eléctrica en un lugar húmedo, use suministro

protegido mediante dispositivo diferencial residual (DDR). El uso de un DDR reduce el riesgo de choque eléctrico.

- h) **No permita que la familiaridad adquirida con el uso frecuente de las herramientas le haga confiarse e ignorar los principios de seguridad de las herramientas.** Una acción descuidada puede causar lesiones graves en una fracción de segundo.
- 3) Seguridad personal**
- a) **No se descuide, preste atención a lo que está haciendo y utilice el sentido común mientras trabaje con esta herramienta. No use herramientas eléctricas cuando esté cansado o esté bajo los efectos del alcohol, las drogas o los medicamentos.** Un momento de distracción, mientras utilice la herramienta eléctrica, puede provocar lesiones personales graves.
- b) **Use equipo de protección individual. Use siempre gafas protectoras.** El uso en condiciones apropiadas del equipo de seguridad como por ejemplo: mascarilla antipolvo, zapatos antideslizantes de seguridad, casco o protección para los oídos, disminuye el riesgo de sufrir lesiones personales.
- c) **Evite arranques involuntarios. Asegúrese de que el interruptor está en la posición de apagado antes de conectarlo a la fuente de electricidad.** Transportar herramientas eléctricas con el dedo puesto sobre el interruptor o enchufarlas con el interruptor encendido puede causar accidentes.
- d) **Quite cualquier llave de ajuste antes de encender la herramienta eléctrica.** Una llave olvidada junto a una pieza móvil de la herramienta eléctrica puede provocar lesiones personales graves.
- e) **No se estire demasiado. Mantenga siempre el equilibrio y tenga los pies en el suelo.** Esto permite un mayor control de la herramienta eléctrica en situaciones inesperadas.
- f) **Vístase apropiadamente. No lleve prendas holgadas o joyas. Mantenga su pelo, ropa y guantes alejados de las piezas móviles.** Las prendas holgadas, las joyas y el pelo largo pueden quedar atrapados en las piezas móviles.
- g) **Si se han suministrado dispositivos para la extracción y recogida de polvo asegúrese de que estos estén conectados y se utilicen correctamente.** El uso de estos dispositivos puede reducir los riesgos relacionados con el polvo.
- h) **Mantenga las asas y las superficies de agarre secas, limpias y libres de aceite y grasa.** Las

asas y las superficies de agarre resbaladizas no permiten un manejo y control seguros de la herramienta en situaciones inesperadas.

- 4) Utilización y cuidados de la herramienta eléctrica**
- a) **No fuerce la herramienta eléctrica. Utilice la herramienta eléctrica adecuada para el trabajo que vaya a realizar.** Una herramienta eléctrica apropiada realizará un trabajo mejor y más seguro si se utiliza para el objetivo con el que ha sido diseñada.
- b) **No use herramientas que no pueden encenderse o apagarse con el interruptor.** Las herramientas que ya no se puedan encender y apagar son peligrosas y deben repararse.
- c) **Desenchufe la clavija de la toma de electricidad antes de realizar modificaciones, cambiar accesorios o guardar las herramientas eléctricas.** Tales medidas de seguridad preventivas reducen el riesgo de la puesta en marcha accidental.
- d) **Mantenga a los niños alejados de una herramienta eléctrica sin utilizar y no permita a personas que no estén familiarizadas con la máquina o estas instrucciones utilizar la herramienta.** La herramienta eléctrica puede ser peligrosa cuando la utilicen personas sin experiencia.
- e) **Conserve sus herramientas cuidadosamente. Verifique cualquier desalineación o agarrotamiento de piezas móviles, piezas dañadas y cualquier otra causa, que pudiera repercutir en el buen funcionamiento de la herramienta eléctrica. Si la herramienta está estropeada, repárela antes de utilizarla.** Muchos de los accidentes están causados por un mantenimiento insuficiente del equipo eléctrico.
- f) **Mantenga las herramientas de corte limpias y afiladas.** Sierras con esquinas cortantes con un buen mantenimiento se bloquean menos y son más fáciles de controlar.
- g) **Utilice la herramienta eléctrica, accesorios y brocas etc. Siguiendo las instrucciones atendiendo al tipo de herramienta eléctrica y tenga en cuenta las condiciones de trabajo y el tipo de trabajo que se va a realizar.** Puede ser peligroso realizar trabajos con la herramienta diferentes de aquellos para los que está diseñada.
- 5) Uso y cuidado de las herramientas alimentadas por batería**
- a) **Recargue las baterías únicamente con el cargador recomendado por el fabricante.** Un

cargador que es apto para un tipo de baterías determinado puede provocar riesgo de incendio si se usa para cargar otra clase de baterías.

- b) **Use las herramientas eléctricas sólo con las baterías indicadas específicamente.** El uso de otra clase de baterías diferente puede ocasionar el riesgo de derivar en lesiones o un incendio.
- c) **Cuando el paquete de baterías no esté en uso, consérvelo retirado de objetos metálicos como sujetapapeles, monedas, llaves, clavos, tornillos o cualquier otro objeto metálico pequeño que pueda hacer puente entre las terminales.** El contacto entre las terminales de la batería puede causar quemaduras o incendio.
- d) **Bajo condiciones extremas de abuso la batería podría expulsar un líquido; evite todo contacto. Si se produjese contacto accidentalmente, lávese bien con agua. Si el líquido hace contacto con los ojos, consulte también al médico.** El líquido emanado de la batería puede causar irritaciones o quemaduras.
- e) **No utilice una batería o una herramienta que esté dañada o modificada.** Las baterías dañadas o modificadas pueden presentar un comportamiento impredecible y provocar un incendio, una explosión o riesgo de lesiones.
- f) **No exponga una batería o una herramienta al fuego o a temperatura excesiva.** La exposición al fuego o a temperaturas superiores a 130 °C puede provocar una explosión.
NOTA: La temperatura "130 °C" puede sustituirse por la temperatura "265 °F".
- g) **Siga todas las instrucciones de carga y no cargue la batería o la herramienta fuera del rango de temperatura especificado en las instrucciones.** La carga incorrecta o a temperaturas fuera del rango especificado puede causar daños a la batería y aumentar el riesgo de incendio.

6) Servicio

- a) **Haga reparar su herramienta eléctrica por una persona cualificada, usando solo piezas de repuesto idénticas.** Esto garantiza que se mantenga la seguridad de la herramienta eléctrica.
- b) **Nunca repare las baterías dañadas.** El mantenimiento de las baterías debe ser realizado solo por el fabricante o los proveedores de servicio autorizados.

ADVERTENCIAS DE SEGURIDAD ADICIONALES PARA CORTASETOS

- Mantenga su zona de trabajo limpia y ordenada.
- Sujete siempre bien el cortasetos. Manéjelo con las dos manos.
- Si usa un alza para estar más alto, asegúrese de que sea estable y no pueda caerse (no intente alcanzar en ningún momento adonde no llegue).
- No use herramientas eléctricas con lluvia ni en entornos mojados. No use herramientas eléctricas si hay riesgo de explosión o incendio, es decir, cerca de líquidos o gases inflamables.
- No deje que haya niños en su zona de trabajo.
- No deje que los niños ni otras personas toquen las herramientas eléctricas.
- No deje la herramienta eléctrica desatendida.
- Guárdela en un lugar seco, fuera del alcance de los niños.
- Use siempre gafas y guantes de seguridad. Es aconsejable también el uso de protectores auditivos.
- Póngase ropa adecuada; no use prendas sueltas ni joyas y asegúrese de que las prendas no entren en contacto con piezas móviles.
- Si tiene el pelo largo, recójalo para evitar que se enrede en piezas móviles.
- Antes de usar una herramienta eléctrica, revise posibles piezas dañadas si, si las hubiere, no la use hasta que se sustituyan dichas piezas.
- No use herramientas eléctricas si está cansado o ha bebido.
- No fuerce el aparato; deje que funcione a la velocidad para la que ha sido diseñado.
- No intente alcanzar adonde no llegue mientras esté trabajando; podría perder el equilibrio.
- No use nunca el aparato sin el protector de la hoja puesto. Debe estar puesto siempre.
- Use solo piezas de repuesto y accesorios suministrados por VONROC. Usar accesorios que no sean suministrados o recomendados por VONROC invalidará la garantía y podría ser peligroso.
- Use este aparato solo para lo que ha sido diseñado: cortar setos y arbustos.



¡Tenga cuidado, sobre todo!



¡Peligro!

- **Mantenga el cuerpo alejado de la hoja de corte. No retire el material de corte ni sujete el material cuando las hojas estén en movimiento. Asegúrese de que el interruptor esté apagado cuando desatasque piezas atascadas.** Un momento de desatender el cortasetos mientras esté en funcionamiento, puede acarrear lesiones personales graves.
- **Coja el cortasetos oir el mango con la hoja de corte parada. Cuando transporte o guarde el cortasetos, ponga siempre la lengüeta protectora.** Un manejo adecuado del cortasetos reducirá el riesgo de lesiones con las hojas de corte.
- Los elementos de corte seguirán moviéndose después de apagar el motor.
- Efectúe periódicamente controles y el mantenimiento al cortasetos. Lleve a reparar el cortasetos solo a un taller autorizado.
- Revise si hay objetos extraños en el seto o los arbustos, como trozos de alambre
- Aleje manos y pies de la zona de recorte en todo momento.
- Sujete siempre el cortasetos a una distancia segura del cuerpo.
- Use siempre gafas protectoras.
- Use siempre guantes.
- Use el cortasetos solamente de día.
- Asegúrese de que las entradas de ventilación estén despejadas de residuos en todo momento.
- Asegúrese de que no hay personas ni animales a menos de 5 m de la zona de corte.
- Quite el enchufe de la toma de la pared antes de realizar mantenimiento alguno.
- Después de usar la herramienta, guárdela para que la hoja no esté expuesta.
- Sujete la herramienta eléctrica solo por las superficies de agarre aisladas porque la hoja de corte puede entrar en contacto con cables ocultos. Si la hoja de corte entra en contacto con un cable en tensión, puede exponer las partes metálicas de la herramienta a tensión y ocasionar una descarga eléctrica al usuario.

ADVERTENCIAS DE SEGURIDAD ADICIONALES PARA CORTASETOS INALÁMBRICO

- No cargue el cortasetos con lluvia o en sitios mojados.
- No use el cortasetos con batería con lluvia.
- Quite o desconecte la batería antes de reparar,

limpiar o quitar material del cortasetos.


- No tire la/s batería/s al fuego. La célula puede explotar. Revise posibles instrucciones especiales de desecho en la normativa local.

2. INFORMACION DE LA MAQUINA

Uso previsto

Este cortasetos está diseñado solo para cortar ramas de matorrales, arbustos, plantas ornamentales y setos.

ESPECIFICACIONES TECNIC

Modelo n.o.	HT501DC
Voltaje nominal	20V 
Velocidad sin carga	1.400/min.
Longitud de corte	510mm
Ancho de corte	14mm
Peso	2.15 kg
Nivel de presión acústica LpA	79.1 dB (A), KpA=3 dB (A)
Nivel de potencia acústica LwA	90.1 dB (A), KwA=3 dB (A)
Valor de vibración	1.937 m/s ² K=1.5 m/s ²

siguientes baterías de la plataforma de baterías VONROC POWER 20V. El uso de cualquier otra batería puede causar lesiones graves o dañar la herramienta.

CD801AA Batteria agli ioni di litio da 20 V, 2 Ah
 CD803AA Batteria agli ioni di litio da 20 V, 4 Ah

Para cargar estas baterías se puede utilizar el siguiente cargador de batería.

CD802AA Cargador rápido

Las baterías de la plataforma de baterías VONROC POWER 20V son intercambiables con todas las herramientas de la plataforma de baterías VONROC POWER 20V.

Nivel de vibración

El nivel de emisión de vibraciones indicado en este manual de instrucciones ha sido medido según una prueba estándar proporcionada en EN60745; puede utilizarse para comparar una herramienta con otra y como valoración preliminar de la exposición a las vibraciones al utilizar la herramienta con las aplicaciones mencionadas

- al utilizarla para distintas aplicaciones o con accesorios diferentes o con un mantenimiento deficiente, podría aumentar de forma notable el nivel de exposición
- en las ocasiones en que se apaga la herramienta o cuando está funcionando pero no está realizando ningún trabajo, se podría reducir el nivel de exposición de forma importante

Protéjase contra los efectos de la vibración realizando el mantenimiento de la herramienta y sus accesorios, manteniendo sus manos calientes y organizando sus patrones de trabajo.

DESCRIPCIÓN

Los números del texto se refieren a los diagramas de la página 2-3.

1. Interruptor de Encendido/Apagado
2. Batería (no incluido)
3. Botón de desbloqueo de la batería
4. Hoja de corte
5. Protector de seguridad
6. Mango delantero
7. Interruptor de seguridad
8. Protección de transporte

3. MONTAJE



Antes de realizar cualquier trabajo en la herramienta eléctrica, extraiga la batería.



Debe cargarse la batería antes de usar la máquina por primera vez.

Montaje del mango delantero (Fig. B)

1. Ponga el mango delantero (6) en la máquina, como se indica en la figura B.
2. Monte el mango delantero (6) apretando los cuatro tornillos.

Montaje del protector (Fig. C)



No puede usar el cortasetos sin el protector

1. Ponga el protector (5) en la máquina, como se indica en la figura C.
2. Monte el protector (5) apretando los dos tornillos.

Instalación de la batería en la máquina (Fig. A, D)



Compruebe que la parte exterior de la batería esté limpia y seca antes de colocarla en el cargador o en la máquina.

1. Inserte la batería (2) en la base de la máquina como se muestra en la Fig. D.
2. Pulse la batería más hacia delante hasta que haga clic en su sitio.

Extracción de la batería de la máquina (Fig. A, D)

1. Presione el botón de desbloqueo de la batería (3)
2. Extraiga la batería de la máquina como se muestra en la Fig. D.

4. MANEJO



Antes de usar, inspeccione siempre visualmente para comprobar que las hojas, los tornillos de las hojas y el conjunto de corte no estén desgastados o dañados.



No puede usar el cortasetos sin el protector



Sujete el cortasetos siempre con las dos manos y manténgalo alejado del cuerpo.

Usar el cortasetos

- Por su propia seguridad y para conseguir mejores resultados, lea los siguientes consejos al usuario y no use este producto para ninguna otra cosa que no sea para lo que ha sido diseñado.
- Este cortasetos está hecho para cortar setos y arbustos. Cualquier otro uso que no esté específicamente indicado en este manual podría provocar lesiones al usuario.

Encendido y apagado (fig. A)

- Para encender el cortasetos, pulse el botón de seguridad (7) y el de arranque (1) a la vez.
- Para apagarlo, suelte uno de los dos botones.

Cortar un seto - mejor método

- Además de setos, el cortasetos también puede usarse para cortar arbustos.
- El mejor corte se consigue poniendo la hoja en un ángulo de aprox. 15°.
- Los cuchillos giratorios opuestos cortan en ambos lados y, por tanto, es posible cortar el seto en ambos sentidos.

- Los lados del seto se recortan con movimientos curvados de abajo a arriba.
- Lo idóneo es que el seto sea más ancho por abajo que por arriba. Esto mejorará la penetración de luz y mantendrá el seto sano. Si es posible, recorte ambos lados del seto.
- Al cortar los lados del seto, corte de abajo a arriba. Esto garantizará que no haya recortes de seto que obstruyan o interfieran en sus trazos de corte. No debe forzar la hoja para cortar demasiado profundo. Corte ligeramente a través de la superficie del seto.
- Al recortar la parte superior del seto, corte en sentido opuesto adonde esté usted, pero no demasiado lejos. Es más seguro e inteligente avanzar y cortar dentro de su alcance, permaneciendo a 60 cm en todo momento.

Transportarlo con seguridad

El cortasetos tiene una cubierta protectora (8), para transportar la máquina con seguridad.

5. MANTENIMIENTO



Antes de realizar la limpieza y el mantenimiento, apague siempre la máquina y extraiga el paquete de baterías de la máquina.

Limpie regularmente las carcasas de la batería con un paño suave, preferentemente después de cada uso. Compruebe que los orificios de ventilación estén libres de polvo y suciedad. Elimine el polvo persistente utilizando un paño suave humedecido con agua y jabón. No use disolventes tales como gasolina, alcohol, amoníaco, etc. Tales productos químicos pueden dañar los componentes sintéticos.

Hoja de corte

- Use guantes siempre que maneje o limpie la hoja de corte.
- Limpie la hoja de corte y rocíela con un aceite protector después de cada uso. Es aconsejable engrasar la hoja de corte con aceite protector con regularidad durante períodos largos de uso.
- Revise visualmente el estado de la hoja de corte. Compruebe que los tornillos estén bien apretados a la hoja de corte.
- Asegure que el protector de la hoja esté colocado en la máquina.

Almacenamiento

El cortasetos debe guardarse en un lugar seco y seguro, fuera del alcance de los niños. No coloque otros objetos encima.

MEDIOAMBIENTE



Los aparatos eléctricos o electrónicos defectuosos y/o desechados deben recogerse en lugares de reciclado apropiado.

Solo para países de la Comunidad Europea

No elimine las herramientas eléctricas como residuos domésticos. De acuerdo con la Directiva europea 2012/19/CE sobre residuos de aparatos eléctricos y electrónicos, y su transposición a las legislaciones nacionales, las herramientas eléctricas que ya no se utilizan deben recogerse por separado y eliminarse en modo ecológico.

CONDICIONES DE GARANTÍA

Los productos VONROC han sido desarrollados con los más altos estándares de calidad y VONROC garantiza que están exentos de defectos relacionados con los materiales y la fabricación durante el periodo legalmente estipulado, a contar desde la fecha de compra original. En caso de que el producto presente defectos relacionados con los materiales y/o la fabricación durante este periodo, póngase directamente en contacto VONROC.

La presente garantía se excluye en los siguientes casos:

- Si centros de servicios no autorizados han realizado o han intentado realizar reparaciones y/o alteraciones a la máquina.
- Si se ha producido un desgaste normal.
- Si la herramienta ha sido mal tratada o usada en modo impropio, o se ha realizado incorrectamente su mantenimiento.
- Si se han utilizado piezas de repuesto no originales.

La presente constituye la única garantía implícita y explícita que ofrece la compañía. No existen otras garantías explícitas o implícitas que excedan las citadas aquí, incluidas las garantías implícitas de comerciabilidad e idoneidad para una finalidad en especial. VONROC no será considerada respons-

able en ningún caso por daños incidentales o consecuentes. Los recursos a disposición de los distribuidores se limitan a la reparación o a la sustitución de las unidades o piezas no conformes.

El producto y el manual de usuario están sujetos a variaciones. Las especificaciones pueden variarse sin previo aviso.

1. ISTRUZIONI DI SICUREZZA

Leggere accuratamente gli avvisi di sicurezza, gli avvisi di sicurezza aggiuntivi e le istruzioni. La mancata osservanza degli avvisi di sicurezza e delle istruzioni potrebbe causare scosse elettriche, incendio e/o gravi lesioni. Mantenere gli avvisi di sicurezza e le istruzioni a portata di mano per future consultazioni.

I seguenti simboli sono utilizzati nel presente manuale utente o sul prodotto:



Leggere il manuale per l'utente.



Denota il rischio di lesioni personali, morte o danni all'utensile in caso di mancata osservanza delle istruzioni contenute nel presente manuale.



Rischio di oggetti volanti. Tenere lontano chiunque si trovi nelle vicinanze dall'area di lavoro.



Non esporre alla pioggia.



*Indossare occhiali di protezione.
Indossare protezioni per l'udito.*



Indossare guanti di protezione.



Prima di eseguire qualsiasi operazione di pulizia e intervento di manutenzione spegnere sempre l'elettro utensile e rimuovere la batteria dall'elettro utensile.



Non smaltire il prodotto in contenitori non idonei.



Il prodotto è conforme agli standard pertinenti in materia di sicurezza previsti dalla legislazione Europea.

REGOLE GENERALI DI SICUREZZA



ATTENZIONE! Leggere tutte le avvertenze di sicurezza e tutte le istruzioni. Se non si seguono tutte le istruzioni sotto elencate, si può incorrere in uno shock elettrico, in un incendio e/o in lesioni serie.

Conservare queste istruzioni.

Il termine "arnese elettrico" in tutti gli avvertimenti sotto elencati si riferisce al vostro arnese elettrico che funziona a corrente (con filo) o ad un arnese che funziona a pile (senza filo).

1) Area di lavoro

- a) **Mantenere l'area di lavoro pulita e ben illuminata.** Aree buie e disordinate favoriscono gli incidenti.
- b) **Non usare arnesi elettrici in atmosfere esplosive, come vicino ai liquidi infiammabili, gas o polveri.** Gli arnesi elettrici creano scintille che possono incendiare la polvere dei vapori.
- c) **Tenere lontani bambini e altre persone mentre si accende l'arnese elettrico.** Le distrazioni possono farvi perdere il controllo.

2) Sicurezza elettrica

- a) **Le spine dell'arnese elettrico devono andare bene per la presa di corrente. Non modificare mai la spina in alcun modo. Non usare alcun adattatore con arnesi elettrici a terra (messo a terra).** Spine non modificate che vanno bene per le prese di corrente ridurranno il rischio di shock elettrico.
- b) **Evitare il contatto corporeo con superfici a terra come tubature, radiatori, fornelli e frigoriferi.** C'è un rischio maggiore di shock elettrico se il vostro corpo è a terra.
- c) **Non esporre arnesi elettrici alla pioggia o a condizioni di umidità.** Se dell'acqua penetra nell'arnese elettrico aumenterà il rischio di shock elettrico.
- d) **Non abusare del filo. Non usare mai il filo per trasportare, spingere o staccare dalla presa l'arnese elettrico. Tenere il filo lontano da calore, olio, bordi taglienti o parti mobili.** Fili danneggiati o aggrovigliati aumentano il rischio di shock elettrico.
- e) **Quando si accende un arnese elettrico all'aperto, usare una prolunga adatta a tale uso.** Usare un filo adatto all'uso all'aperto ridurrà il rischio di shock elettrico.
- f) **Se non è possibile evitare l'uso di un elettro-utensile in ambiente umido, usare una rete di alimentazione protetta da un interruttore differenziale (salvavita).** L'uso di un salvavita riduce il rischio di scosse elettriche.

3) Sicurezza personale

- a) **Stare vigili e attento quando si accende un arnese elettrico. Non usare un arnese elettrico mentre si è stanco o sotto l'effetto di droghe, alcool o medicinali.** Un momento di disattenzione mentre si accendono arnesi elettrici può causare delle gravi lesioni personali.
 - b) **Usare dispositivi di protezione individuale. Indossare sempre una protezione per gli occhi.** Dispositivi di sicurezza come mascherina per la polvere, scarpe di sicurezza antiscivolo, casco, o protezioni per le orecchie usate nelle appropriate condizioni, ridurranno le lesioni personali.
 - c) **Prevenire l'avvio accidentale. Assicurarsi che l'interruttore sia spento prima di collegarsi.** Trasportare elettro-utensili tenendo il dito sull'interruttore di accensione o dare corrente ad elettro-utensili con l'interruttore acceso può dare luogo a incidenti.
 - d) **Rimuovere ogni chiave regolatrice o chiave per dadi prima di accendere l'arnese elettrico.** Una chiave per dadi o una chiave lasciata attaccata ad una parte rotante dell'arnese elettrico può provocare lesioni personali.
 - e) **Cercare di mantenere l'equilibrio. Mantenere sempre un punto d'appoggio appropriato.** Questo consente un controllo migliore dell'arnese elettrico in situazioni inaspettate.
 - f) **Vestirsi adeguatamente. Non indossare vestiti larghi o gioielli. Tenere lontano capelli, vestiti e guanti dalle parti mobili.** Vestiti larghi, gioielli o capelli lunghi possono essere presi nelle parti mobili.
 - g) **Se vengono forniti dispositivi per la connessione dell'estrazione della polvere e attrezzature di raccolta, assicurarsi che questi siano collegati e usati correttamente.** L'uso di questi dispositivi può ridurre i rischi correlati alla polvere.
 - h) **Non lasciare che la confidenza acquisita dall'uso frequente induca l'utilizzatore ad assumere comportamenti imprudenti e a ignorare i principi di sicurezza per l'utensile.** Una semplice distrazione può provocare gravi lesioni personali in una frazione di secondo.
- #### 4) Uso e manutenzione dell'arnese elettrico
- a) **Non forzare l'arnese elettrico. Usare l'arnese elettrico corretto per il vostro impiego.** L'arnese elettrico corretto farà il lavoro meglio e in maniera più sicura alla velocità per la quale è stato progettato.

- b) **Non usare l'arnese elettrico se l'interruttore non si accende o non si spegne.** Ogni arnese elettrico che non può essere controllato con l'interruttore è pericoloso e deve essere riparato.
- c) **Scollegare la spina dalla sorgente di elettricità prima di fare qualsiasi regolazione, cambiare gli accessori, o conservare arnesi elettrici.** Tali misure di sicurezza preventive riducono il rischio di accendere l'arnese elettrico accidentalmente.
- d) **Conservare gli arnesi elettrici inattivi fuori dalla portata dei bambini e non permettere a persone che non hanno confidenza con l'arnese elettrico o con queste istruzioni di usare l'arnese elettrico.** Gli arnesi elettrici sono pericolosi per utenti inesperti.
- e) **Mantenere gli arnesi elettrici. Controllare il non allineamento o l'attacco di parti mobili, la rottura di parti ed ogni altra condizione che può influire sul funzionamento degli arnesi elettrici. Se è danneggiato, far riparare l'arnese elettrico prima dell'uso.** Molti incidenti sono causati da arnesi elettrici mantenuti male.
- f) **Mantenere gli arnesi da taglio affilati e puliti.** È meno probabile che si attacchino degli arnesi da taglio mantenuti correttamente con tagli affilate e questi sono anche più facili da controllare.
- g) **Usare l'arnese elettrico, gli accessori e le parti dell'arnese ecc, secondo queste istruzioni e nel modo pensato per il particolare tipo di arnese elettrico, tenendo conto delle condizioni di lavoro e del lavoro da svolgere.** L'uso dell'arnese elettrico per operazioni diverse da quelle pensate potrebbe causare situazioni pericolose.
- h) **Mantenere le impugnature e le superfici di presa asciutte, pulite e libere da olio e grasso.** Impugnature e superfici di presa scivolose non consentono di maneggiare e controllare in sicurezza l'utensile in situazioni impreviste.
- 5) Uso e manutenzione dell'utensile a batteria**
- a) **Ricaricare l'apparecchio esclusivamente con il caricabatterie specificato dal fabbricante.**
Se si utilizza un caricabatterie di diverso tipo potrebbero verificarsi incendi.
- b) **Utilizzare gli utensili elettrici solo con i pacchi batterie appositamente prescritti.** L'uso di pacchi batterie di diverso tipo aumenta il rischio di infortunio o incendio.
- c) **Quando il pacco batterie non è in uso, tenerlo lontano da oggetti metallici quali fermagli, monete, chiavi, chiodi, viti o altri piccoli oggetti metallici che potrebbero mettere in collegamento i due poli.** Se i poli vengono messi in corto circuito, la batteria potrebbe emettere scintille o fiammate.
- d) **In condizioni di uso scorretto, la batteria potrebbe emettere liquido: evitare pertanto di entrarvi in contatto. In caso di contatto accidentale, risciacquare con acqua. Se il liquido entra a contatto con gli occhi, consultare immediatamente un medico.** Il liquido emesso dalla batteria può causare irritazioni o ustioni.
- e) **Non utilizzare un pacco batterie o l'utensile se danneggiati o manomessi.** Pacchi batterie danneggiati o manomessi potrebbero avere comportamenti imprevisti con il rischio di incendiarsi, esplodere o provocare lesioni a persone.
- f) **Non esporre un pacco batterie o l'utensile alle fiamme o a temperature eccessivamente elevate.** L'esposizione alle fiamme o a temperature superiori a 130 °C potrebbe provocare un'esplosione. NOTA: la temperatura di "130 °C" corrisponde a "265 °F".
- g) **Seguire tutte le istruzioni per la ricarica e non caricare il pacco batterie o l'utensile a temperature che non rientrino nell'intervallo specificato nelle istruzioni.** Se si effettua la ricarica in modo improprio o a temperature non comprese nell'intervallo specificato, il pacco batterie potrebbe subire danni e potrebbe aumentare il rischio di incendi.
- 6) Riparazione**
- a) **L'assistenza per l'elettro utensile deve essere prestata da un tecnico qualificato che utilizzi soltanto ricambi originali.** In questo modo viene garantita la sicurezza dell'elettro utensile.
- b) **Non tentare di riparare pacchi batterie danneggiati.** La riparazione dei pacchi batteria deve essere effettuata esclusivamente dal produttore o presso centri di assistenza autorizzati.

AVVERTENZE DI SICUREZZA AGGIUNTIVE PER IL TAGLIASIEPI

- Mantenere l'area di lavoro pulita e ordinata.
- Reggere sempre il tagliasiepi in modo adeguato. Utilizzare entrambe le mani durante il funzionamento.
- Se viene utilizzato uno strumento di assistenza per sollevarsi da terra, assicurarsi che sia stabile e non possa rovesciarsi - non sporgersi in nessun caso.

- Non utilizzare gli elettroutensili in ambienti piovosi o bagnati. Non utilizzare gli elettroutensili in caso di rischio di incendio o esplosione - vale a dire in prossimità di liquidi o gas infiammabili.
 - Non consentire ai bambini di accedere all'area in cui si lavora.
 - Non consentire ai bambini o ad altre persone di toccare gli elettroutensili.
 - Non lasciare incustodito l'elettroutensile.
 - Conservarlo in un luogo asciutto e accesso impossibile da parte dei bambini.
 - Utilizzare sempre occhiali e guanti di protezione. Si raccomanda inoltre l'utilizzo di dispositivi ottoprotettivi.
 - Indossare indumenti aderenti - non svolazzanti o gioielli e assicurarsi che i capi di abbigliamento non entrino in contatto con le parti in movimento.
 - Se si portano i capelli lunghi, legarli dietro in modo sicuro per evitare che restino impigliati nelle parti in movimento.
 - Prima di utilizzare qualsiasi elettroutensile, verificare prima la presenza di parti danneggiate e, se presenti, non utilizzare prima che la parte o le parti siano state sostituite con quelle nuove.
 - Non utilizzare gli elettroutensili quando si è stanchi o sotto l'effetto dell'alcool.
 - Non sforzare l'apparecchio - farlo funzionare alla velocità prevista per esso.
 - Non sporgersi durante il lavoro - è possibile perdere l'equilibrio.
 - Non utilizzare mai questo apparecchio senza la protezione lama montata. Essa deve rimanere sempre collegata.
 - Utilizzare solo parti di ricambio e accessori forniti da VONROC. L'utilizzo di accessori diversi da quelli forniti o raccomandati da VONROC annulla la vostra garanzia e potrebbe rappresentare un pericolo.
 - Utilizzare questo apparecchio solo per il suo uso previsto per il taglio di siepi e cespugli.
- il materiale intasato.** Un attimo di disattenzione durante il funzionamento del taglia siepi potrebbe causare gravi lesioni alle persone.
- **Reggere il taglia siepi alla maniglia con la lama di taglio arrestata. Mantenere sempre applicato il manicotto di protezione durante il trasporto o la conservazione del taglia siepi.** Maneggiando con cura il taglia siepi riduce la possibilità di lesioni a causa delle lame di taglio.
 - Gli elementi di taglio continuano a muoversi dopo che il motore si è arrestato.
 - Ispezionare e sottoporre il taglia siepi a manutenzione regolarmente. Far riparare il taglia siepi solo in un'officina autorizzata.
 - Ispezionare la siepe o i cespugli per verificare la presenza di corpi estranei, come per esempio le recinzioni
 - Tenere sempre le mani e i piedi lontano dall'area di taglio.
 - Reggere sempre il taglia siepi a una distanza di sicurezza dal corpo.
 - Indossare sempre occhiali di protezione.
 - Indossare sempre i guanti di protezione.
 - Utilizzare il taglia siepi solo alla luce del giorno.
 - Assicurarsi che le aperture di ventilazione siano sempre prive di detriti.
 - Assicurarsi che non ci siano persone o animali entro 5 metri dalla propria area di taglio delle siepi.
 - Rimuovere la spina dalla presa di corrente prima di eseguire qualsiasi operazione di manutenzione.
 - Dopo l'utilizzo l'utensile dovrebbe essere conservato in modo che la lama non sia esposta.
 - Tenere l'elettroutensile esclusivamente dalle superfici di presa isolate, poiché la lama di taglio potrebbe entrare in contatto con fili elettrici nascosti. La lama di taglio che viene a contatto con un cavo sotto tensione trasmette la corrente elettrica anche alle parti metalliche esposte dell'elettroutensile e potrebbe provocare la folgorazione dell'operatore.



Innanzitutto, fare attenzione!



Pericolo!

- **Tenere tutte le parti del corpo lontane dalla lama di taglio. Non rimuovere il materiale di taglio o tenere il materiale da tagliare quando le lame si trovano in movimento. Assicurarsi che l'interruttore sia spento quando viene rimosso**
- AVVERTENZE DI SICUREZZA AGGIUNTIVE PER IL TAGLIESIEPI SENZA FILI**
- Non caricare il taglia siepi sotto la pioggia o in postazioni umide.
 - Non utilizzare il taglia siepi con funzionamento a batteria sotto la pioggia.
 - Rimuovere o disconnettere la batteria prima

della manutenzione, della pulizia o della rimozione del materiale dal tagliasiepi.


- Non smaltire la/le batteria/e in un fuoco. La cella potrebbe esplodere. Verificare conformemente a tutti i regolamenti locali per la presenza di possibili istruzioni di smaltimento particolari.

2. INFORMAZIONI RELATIVE ALL'ELETTROUTENSILE

Uso previsto

Questo tagliasiepi è inteso solo per il taglio di rami da arbusti, cespugli, piante ornamentali e siepi.

DATI TECNICI

Modello n.o	HT501DC
Tensione nominale	20V 
Velocità a vuoto	1.400/min.
Lunghezza di taglio	510mm
Larghezza di taglio	14mm
Peso	2.15 kg
Livello di pressione sonora LpA	79.1 dB (A), KpA=3 dB (A)
Livello di potenza sonora LwA	90.1 dB (A), KwA=3 dB (A)
Valore vibrazioni	1.937 m/s ² K=1.5 m/s ²

Utilizzare esclusivamente le batterie seguenti della piattaforma di batterie da 20 V VONROC POWER. L'uso di batterie diverse potrebbe causare gravi lesioni personali o danni all'elettROUTENSILE.

CD801AA 20V, 2 Ah de iones de litio
 CD803AA 20V, 4 Ah de iones de litio

Il caricabatterie seguente può essere usato per caricare queste batterie.

CD802AA Caricabatterie rapido

Le batterie della piattaforma di batterie da 20 V VONROC POWER sono intercambiabili con tutti gli elettROUTENSILI con batterie della piattaforma da 20 V VONROC POWER.

Livello delle vibrazioni

Il livello di emissione delle vibrazioni indicato sul retro di questo manuale di istruzioni è stato misurato in conformità a un test standardizzato stabilito

dalla norma EN60745; questo valore può essere utilizzato per mettere a confronto un l'utensile con un altro o come valutazione preliminare di esposizione alla vibrazione quando si impiega l'utensile per le applicazioni menzionate.

- se si utilizza l'utensile per applicazioni diverse, oppure con accessori differenti o in scarse condizioni, il livello di esposizione potrebbe aumentare notevolmente.
- i momenti in cui l'utensile è spento oppure è in funzione ma non viene effettivamente utilizzato per il lavoro, possono contribuire a ridurre il livello di esposizione.

Proteggersi dagli effetti della vibrazione effettuando la manutenzione dell'utensile e dei relativi accessori, mantenendo le mani calde e organizzando i metodi di lavoro.

DESCRIZIONE

I numeri che compaiono nel testo si riferiscono agli schemi riportati alle pagine 2-3.

1. Interruttore On/Off
2. Batteria (non incluso)
3. Pulsante di sblocco batteria
4. Lama di taglio
5. Protection guard
6. Maniglia anteriore
7. Interruttore di sicurezza
8. Protezione di trasporto

3. MONTAGGIO



Prima di compiere qualsiasi intervento sull'elettROUTENSILE rimuovere la batteria.



Prima del primo utilizzo la batteria deve essere caricata.

Montaggio dell'impugnatura anteriore (fig. B)

1. Collocare la maniglia anteriore (6) sulla macchina come da fig. B.
2. Montare la maniglia anteriore (6) serrando le quattro viti.

Montaggio del dispositivo di protezione (fig. C)



Sarebbe meglio non utilizzare il tagliasiepi senza il dispositivo di protezione montato

1. Collocare il dispositivo di protezione (5) sulla macchina come da fig. C.
2. Montare il dispositivo di protezione (5) serrando le due viti.

Inserimento della batteria nella macchina (Fig. A, D)



Assicurarsi che la batteria sia pulita esternamente prima di collegarla al caricabatterie o alla macchina.

1. Inserire la batteria (2) nella base dell'elettrotensile, come illustrato nella Figura D.
2. Spingere in avanti la batteria finché scatta in posizione con un clic.

Rimozione della batteria dalla macchina (Fig. A, D)

1. Premere il pulsante di sblocco batteria (3)
2. Estrarre la batteria dalla macchina, come illustrato nella Fig. D.

4. MESSA IN SERVIZIO



Prima dell'utilizzo, sottoporre l'apparecchio sempre a un controllo visivo per accertare che le lame, i bulloni delle lame e il gruppo di taglio non siano usurati o danneggiati.



Sarebbe meglio non utilizzare il tagliasiepi senza il dispositivo di protezione montato



Utilizzare sempre entrambe le mani per reggere il tagliasiepi e mantenerlo lontano dal proprio corpo.

Utilizzo del proprio tagliasiepi

- Per salvaguardare la propria sicurezza e per ottenere i migliori risultati, leggere la seguente avvertenza di utilizzo e non utilizzare questo prodotto per alcuno scopo al di fuori dell'uso prescritto.
- Questo tagliasiepi è costruito per il taglio di siepi e cespugli. Tutti gli altri utilizzi non specificatamente consentiti in questo manuale possono causare lesioni all'utente del tagliasiepi.

Accensione e spegnimento (Fig. A)

- Per mettere in funzione il tagliasiepi, premere l'interruttore di sicurezza (7) e contemporaneamente l'interruttore di avvio (1).
- Per spegnerlo, rilasciare uno o entrambi gli interruttori.

Accensione e spegnimento (Fig. A)

- Per mettere in funzione il tagliasiepi, premere l'interruttore di sicurezza (7) e contemporaneamente l'interruttore di avvio (1).
- Per spegnerlo, rilasciare uno o entrambi gli interruttori.

Trasporto di sicurezza

Il tagliasiepi dispone sempre di una protezione di trasporto. Coprire (8) per salvaguardare il trasporto della macchina.

5. MANUTENZIONE



Prima di eseguire qualsiasi operazione di pulizia e intervento di manutenzione spegnere sempre l'elettrotensile e rimuovere la batteria dall'elettrotensile.

Pulire regolarmente il corpo della batteria con un panno morbido, preferibilmente dopo ogni uso. Assicurarsi che le prese d'aria siano libere da polvere e sporcizia. Rimuovere lo sporco particolarmente ostinato con un panno morbido inumidito con acqua e sapone. Non utilizzare solventi come benzina, alcol, ammoniaca, ecc. Le sostanze chimiche di questo tipo danneggiano i componenti sintetici.

Lama di taglio

- Indossare sempre i guanti di protezione quando la lama di taglio viene maneggiata e pulita.
- Pulire la lama di taglio e spruzzarci sopra dell'olio protettivo dopo ciascun utilizzo. Si raccomanda di lubrificare la lama di taglio con dell'olio protettivo ad intervalli regolari durante i periodi prolungati di lavoro.
- Sottoporre a un esame visivo lo stato della lama di taglio. Verificare che le viti siano nella propria sede in modo fisso nella barra del taglierino.
- Assicurarsi che la protezione della lama sia inserita sulla macchina.

Conservazione

Il tagliasiepi dovrebbe essere situata in un posto sicuro e asciutto fuori dalla portata dei bambini. Non posizionare altri oggetti sulla parte superiore di esso.

RISPETTO AMBIENTALE



Le apparecchiature elettriche o elettroniche difettose e/o scartate devono essere raccolte presso gli opportuni siti di riciclaggio.

Solo per i Paesi CE

Non smaltire gli elettrodomestici insieme ai rifiuti domestici. Secondo la Direttiva europea 2012/19/EC sui rifiuti delle apparecchiature elettriche ed elettroniche e relativa implementazione nelle normative locali, gli elettrodomestici ormai inutilizzabili devono essere raccolti separatamente e smaltiti in modo ecologico.

DEFINIZIONI DELLA GARANZIA

I prodotti VONROC sono sviluppati secondo i più elevati standard di qualità e viene garantita l'assenza di difetti nei materiali e nella manodopera per il periodo contrattuale a partire dalla data di acquisto originale. Qualora il prodotto dovesse subire un guasto qualsiasi durante questo periodo a causa di difetti nei materiali e/o nella manodopera, si prega di contattare direttamente il VONROC.

Le seguenti circostanze sono escluse da questa garanzia:

- Riparazioni e/o modifiche alla macchina sono state eseguite o tentate da centri di assistenza non autorizzati.
- Normale usura.
- L'utensile è stato abusato, utilizzato o manutenu- to in modo improprio.
- Sono state utilizzate parti di ricambio non originali

Ciò costituisce l'unica garanzia espressa o implicita fornita dall'azienda. Non esistono altre garanzie espresse o implicite che si estendono oltre il presente documento, ivi comprese le garanzie implicite di commerciabilità e idoneità per uno scopo particolare. In nessun caso VONROC sarà responsabile di eventuali danni incidentali o consequenziali. I rime- di dei rivenditori saranno limitati alla riparazione o sostituzione di unità o parti non conformi.

Il prodotto e il manuale per l'utente sono soggetti a modifiche. I dati tecnici possono essere modificati senza ulteriore notifica.

1. ISTRUCCJE DOTYCZACE

Przeczytać dołączone ostrzeżenia dotyczące bezpieczeństwa, dodatkowe ostrzeżenia dotyczące bezpieczeństwa oraz instrukcje. Nieprzestrze- ganie ostrzeżeń dotyczących bezpieczeństwa oraz instrukcji może prowadzić do porażenia prądem, pożaru i/lub poważnych obrażeń ciała. Zachować ostrzeżenia dotyczące bezpieczeństwa oraz in- strukcje na przyszłość.

Następujące symbole są umieszczone w instrukcji obsługi lub na produkcie:



Przeczytać instrukcje obsługi.



Oznacza ryzyko obrażeń ciała, śmierci lub uszkodzenia narzędzia w razie nieprzestrze- gania poleceń z instrukcji.



Ryzyko wyrzucenia przedmiotów w powietrze. Nie pozwalać osobom postron- nym zbliżać się do obszaru pracy.



Nie wystawiać urządzenia na działanie deszczu.



Używać gogli ochronnych. Stosować osłonę dla uszu.



Nosić rękawice ochronne.



Przed rozpoczęciem czyszczenia i konser- wacji zawsze wyłączać maszynę i wy- jmować z niej akumulator.



Nie wyrzucać produktu do nieodpowiednich pojemników.



Produkt spełnia wymogi odpowiednich norm bezpieczeństwa podanych w dyrektywach UE.

OGÓLNE ZALECENIA DOTYCZĄCE BEZPIECZEŃSTWA



UWAGA! Przeczytać wszystkie ostrzeżenia dotyczące bezpieczeństwa i wszystkie instrukcje. Nieprzestrzeganie wszystkich poniższych instrukcji może być przyczyną porażenia prądem, pożaru i/lub poważnych obrażeń.

Zachowaj poniższe instrukcje.

Termin „elektronarzędzia akumulatorowe” we wszystkich ostrzeżeniach zamieszczonych poniżej odnosi się do elektronarzędzi akumulatorowych zasilanych sieciowo (przewodowych) lub elektronarzędzi akumulatorowych działających na baterie (beprzewodowych).

1) Obszar roboczy

- a) **Obszar roboczy należy utrzymywać w czystości.** Powinien on być dobrze oświetlony. Nieład i złe oświetlenie mogą z łatwością doprowadzić do wypadku.
- b) **Nie korzystaj z elektronarzędzi akumulatorowych w warunkach, w których łatwo może dojść do wybuchu, np. w obecności łatwopalnych cieczy, gazów lub pyłu.** Podczas pracy elektronarzędzi akumulatorowych powstają iskry, które mogą doprowadzić do zapłonu pyłu lub oparów.
- c) **Dzieci i inne osoby postronne powinny pozostać w bezpiecznej odległości od pracującego urządzenia.** Rozproszenie uwagi może spowodować utratę kontroli nad urządzeniem.

2) Bezpieczeństwo związane z elektrycznością

- a) **Wtyczki elektronarzędzi akumulatorowych muszą być odpowiednie do danego gniazda. Pod żadnym pozorem nie należy modyfikować wtyczki w jakikolwiek sposób. Nie należy używać adapterów, które uziemiają elektronarzędzia akumulatorowe.** Stosowanie wtyczek nie poddanych modyfikacjom oraz odpowiednich gniazd zmniejsza ryzyko porażenia prądem.
- b) **Należy unikać bezpośredniego kontaktu fizycznego z powierzchniami uziemionymi, takimi jak rury, grzejniki, kuchenki, lodówki.** Ryzyko porażenia prądem jest większe, jeśli ciało osoby obsługującej urządzenie jest uziemione.
- c) **Nie należy wystawiać elektronarzędzi akumulatorowych na działanie deszczu lub wilgoci.** Dostanie się wody do wnętrza elektronarzędzia akumulatorowego zwiększy ryzyko porażenia prądem.
- d) **Nie należy używać przewodu w niewłaściwy sposób. Pod żadnym pozorem nie należy wykorzystywać przewodu do przenoszenia lub ciągnięcia elektronarzędzia akumulatorowego, ani do jego odłączania od sieci. Przewodu nie należy wystawiać na działanie ciepła, smarów. Powinien on znajdować się w bezpiecznej**

odległości od ostrych krawędzi i części ruchomych. Przewody uszkodzone lub poplątane zwiększają ryzyko porażenia prądem.

- e) **Podczas korzystania z elektronarzędzia akumulatorowego na wolnym powietrzu, należy używać przewodu przedłużacza przystosowanego do użytku na zewnątrz.** Używanie przewodu nadającego się do użytku na wolnym powietrzu zmniejsza ryzyko porażenia prądem.
 - f) **Jeśli obsługa elektronarzędzia w wilgotnym miejscu jest nieunikniona, użyć zasilania wyposażonego w wyłącznik różnicowo-prądowy.** Użycie wyłącznika różnicowo-prądowego zmniejsza ryzyko porażenia prądem.
- #### 3) Bezpieczeństwo osoby obsługującej urządzenie
- a) **Przez cały czas należy mieć się na baczności, uważać na to, co się robi, a w czasie obsługi elektronarzędzia akumulatorowego postępować mając na uwadze zdrowy rozsądek. Urządzenia nie powinny obsługiwać osoby zmęczone lub będące pod wpływem narkotyków, alkoholu lub leków.** Chwila nieuwagi w czasie obsługi elektronarzędzi akumulatorowych może być przyczyną powstania poważnych obrażeń ciała.
 - b) **Należy korzystać ze sprzętu ochronnego oraz zawsze nosić okulary ochronne.** Sprzęt ochronny, jak na przykład maska przeciwpyłowa, antypoślizgowe obuwie ochronne, kask lub słuchawki ochronne używane we właściwych sytuacjach pozwoli na zmniejszenie ryzyka obrażeń ciała.
 - c) **Unikać niezamierzonego uruchomienia. Przed podłączeniem urządzenia do sieci, zawsze sprawdzić, czy przełącznik znajduje się w pozycji „wyłączony”.** Przenoszenie elektronarzędzi z palcem na przełączniku lub włączonych elektronarzędzi z przełącznikiem w położeniu włączenia jest bardzo niebezpieczne i może powodować wypadki.
 - d) **Przed włączeniem elektronarzędzia akumulatorowego należy usunąć z niego wszystkie klucze nastawcze lub maszynowe.** Pozostawienie klucza zamocowanego na jednej z części obrotowych urządzenia może spowodować powstanie obrażeń ciała.
 - e) **Nie należy sięgać ponad urządzeniem. Przez cały czas należy zachować odpowiednią równowagę i zapewnić odpowiednie oparcie dla stóp.** Pozwoli to na lepsze kontrolowanie urządzenia w nieoczekiwanych sytuacjach.

- f) **Należy nosić odpowiednie ubranie. Do pracy z urządzeniem nie wkładać luźnych ubrań ani biżuterii. Włosy, ubranie i rękawiczki trzymać z dala od części ruchomych.** Luźne części ubrania, biżuteria lub długie włosy mogą zostać wciągnięte przez części ruchome.
- g) **Jeśli w urządzeniu przewidziano elementy służące do odprowadzania i zbierania pyłu, należy sprawdzić, czy są podłączone, i czy działają we właściwy sposób.** Korzystanie z tego typu elementów pozwala ograniczyć ryzyko związane z wydzielaniem pyłu podczas pracy urządzenia.
- h) **Nie zezwalać na to, aby rutyna związana z częstym korzystaniem z narzędzi powodowała nadmierną pewność siebie i ignorowanie zasad bezpiecznego korzystania z narzędzi.** Nieodpowiedzialne działanie może spowodować poważne obrażenia ciała w ułamku sekundy.
- 4) Obsługa i konserwacja elektronarzędzi akumulatorowych**
- a) **Urządzenia nie należy przeciążać. Należy korzystać z narzędzia odpowiedniego do danego typu pracy.** Odpowiednio dobrane urządzenie pozwoli na lepsze i bezpieczniejsze wykonanie pracy, we właściwym dla urządzenia tempie.
- b) **Z elektronarzędzia akumulatorowego nie należy korzystać, jeśli nie można go włączyć i wyłączyć przy pomocy przełącznika.** Urządzenie, którego nie można kontrolować używając przełącznika jest niebezpieczne i powinno być oddane do naprawy.
- c) **Przed przystąpieniem do regulowania elektronarzędzi akumulatorowych, wymiany akcesoriów lub przygotowywania urządzeń do okresu przechowywania, należy odłączyć wtyczkę od źródła zasilania.** Tego typu środki ostrożności zmniejszają ryzyko przypadkowego uruchomienia urządzenia.
- d) **Nieczynne elektronarzędzia akumulatorowe należy przechowywać poza zasięgiem dzieci. Nie należy pozwolić, aby osoby nie znające urządzenia lub niniejszych instrukcji obsługi używały urządzenia.** Elektronarzędzia akumulatorowe w rękach niekompetentnych użytkowników stanowią zagrożenie.
- e) **Elektronarzędzia akumulatorowe należy utrzymywać w dobrym stanie technicznym. Należy sprawdzać, czy części ruchome są właściwie założone, i czy się nie zacinają. Należy również sprawdzać, czy jakieś części nie są uszkodzone**
- oraz sprawdzać wszelkie inne elementy, które mogą wpłynąć na pracę urządzeń. Jeśli urządzenie jest uszkodzone, przed przystąpieniem do jego użytkowania, należy je naprawić.** Częstą przyczyną wypadków jest zły stan techniczny urządzeń.
- f) **Narzędzia służące do cięcia powinny być naostrzone i utrzymywane w czystości.** Jeśli narzędzia służące do cięcia, które posiadają ostre krawędzie tnące, są właściwie konserwowane, istnieje mniejsze prawdopodobieństwo ich zacinania się. Ponadto, łatwiej je kontrolować.
- g) **Elektronarzędzia akumulatorowego, akcesoriów, nakładek, itp. należy używać zgodnie z niniejszymi instrukcjami oraz w sposób właściwy dla danego rodzaju urządzenia, z uwzględnieniem warunków pracy oraz jej rodzaju.** Używanie urządzenia niezgodnie z przeznaczeniem może prowadzić do powstania sytuacji niebezpiecznych.
- h) **Uchwyty należy utrzymywać w stanie suchym, czystym i niezabrudzonym olejem lub smarem.** Śliskie uchwyty i powierzchnie do chwytania nie pozwalają na bezpieczne obchodzenie się z narzędziem i panowanie nad nim w nieoczekiwanych sytuacjach.
- 5) Użytkowanie i konserwacja urządzenia zasilanego akumulatorami**
- a) **Ładować tylko przy użyciu ładowarki określonej przez producenta.** Ładowarka przewidziana dla jednego rodzaju akumulatorów stwarza ryzyko pożaru w przypadku użycia jej z innym zestawem akumulatorów.
- b) **Należy używać jedynie akumulatorów przeznaczonych dla danego urządzenia.** Użycie innych akumulatorów stwarza ryzyko wystąpienia obrażeń ciała lub pożaru.
- c) **Kiedy akumulatorki nie są używane, należy przechowywać je z dala od przedmiotów metalowych, takich jak spinacze do papieru, monety, klucze, gwoździe, śruby lub inne niewielkie przedmioty metalowe, które mogłyby spowodować zwarcie pomiędzy stykami.** Zwarcie styków akumulatora może spowodować pożar.
- d) **W przypadku przecięcia z akumulatora może wycieknąć płyn; nie należy go dotykać. W razie przypadkowego kontaktu przemyć skórę wodą. W przypadku dostania się płynu do oczu należy skontaktować się z lekarzem.** Płyn z akumulatora może powodować podrażnienia lub oparzenia.

- e) **Nie używać uszkodzonego ani zmodyfikowanego akumulatora lub narzędzia.** Uszkodzone lub zmodyfikowane akumulatory mogą działać w sposób nieoczekiwany, co może powodować pożar, wybuch lub ryzyko obrażeń ciała.
 - f) **Nie wystawiać akumulatora ani narzędzia na działanie płomienia lub zbyt wysokiej temperatury.** Narażenie na działanie płomienia lub temperatury powyżej 130°C może spowodować wybuch. UWAGA Temperaturę „130 °C“ można zastąpić temperaturą „265 °F“.
 - g) **Przestrzegać wszystkich instrukcji ładowania i nie ładować akumulatora ani narzędzia poza zakresem temperatury podanym w instrukcji.** Nieprawidłowe ładowanie lub ładowanie w temperaturze poza podanym zakresem może spowodować uszkodzenie akumulatora i zwiększyć ryzyko pożaru.
- 6) Serwis**
- a) **Zlecać serwisowanie elektronarzędzie wykwalifikowanemu technikowi stosującymi jedynie części zamienne identyczne z oryginalnymi.** Zapewni to zachowanie bezpieczeństwa elektronarzędzia.
 - b) **Nigdy nie serwisować uszkodzonych akumulatorów.** Serwisowanie akumulatorów może przeprowadzać wyłącznie producent lub autoryzowany serwis.
- Przechowywać w suchym miejscu poza zasięgiem dzieci.
 - Zawsze nosić okulary i rękawice ochronne. Zalecamy także korzystanie z ochraniaczy słuchu.
 - Należy nosić odpowiednie ubrania – unikać luźnych strojów i biżuterii, pilnować, by ubiór nie wszedł w kontakt z ruchomymi częściami narzędzia.
 - Długie włosy należy związać, aby nie wplątały się w ruchome części narzędzia.
 - Przed użyciem jakichkolwiek elektronarzędzi należy najpierw sprawdzić, czy nie ma uszkodzonych części, a jeśli tak, nie należy używać narzędzia przed wymianą części na nowe.
 - Nie używać elektronarzędzi pod wpływem alkoholu lub zmęczenia.
 - Nie używać siły do obsługi narzędzia – należy pozwolić mu działać zgodnie z przeznaczeniem.
 - Nie należy sięgać zbyt daleko podczas pracy – można stracić równowagę.
 - Nie należy korzystać z urządzenia bez założonej osłony na ostrze. Osłona musi być zawsze założona.
 - Należy korzystać wyłącznie z części zamiennych i dodatków dostarczonych przez firmę VONROC. Korzystanie z dodatków innych niż te dostarczone lub zalecane przez firmę VONROC spowoduje utratę gwarancji i może być niebezpieczne.
 - Z narzędzia należy korzystać wyłącznie zgodnie z przeznaczeniem – do przycinania żywopłotów i krzewów.

PRZYCINARKA DO ŻYWOPŁOTU – DODATKOWE INSTRUKCJE DOTYCZĄCE BEZPIECZEŃSTWA

- Miejsce pracy utrzymywać w porządku i czystości.
- Zawsze prawidłowo trzymać nożyce. Do obsługi używać obu rąk.
- Urządzenia umożliwiające znalezienie się nad ziemią muszą być stabilne i nie mogą się przewracać – nie wolno też sięgać rękami dalej, niż jest to możliwe.
- Nie używać elektronarzędzi podczas deszczu lub w wilgotnych środowiskach. Nie używać elektronarzędzi, jeśli występuje ryzyko pożaru lub eksplozji – np. w pobliżu płynów lub gazów łatwopalnych.
- Nie należy pozwalać dzieciom przebywać w miejscu pracy.
- Dzieci ani osoby postronne nie powinny dotykać elektronarzędzi.
- Nie należy pozostawiać elektronarzędzi bez nadzoru.



Zawsze należy zachowywać ostrożność!



Niebezpieczeństwo!

- **Trzymać wszystkie części ciała z dala od ostrza tnącego. Nie usuwać odciętego materiału ani nie trzymać materiału do przecięcia, gdy ostrza się poruszają. Dopilnować, aby włącznik znajdował się w położeniu wyłączonym podczas usuwania zablokowanego materiału.** Chwila nieuwagi podczas obsługi nożyc do żywopłotu może prowadzić do poważnych obrażeń ciała.
- **Przenosić nożyce do żywopłotu za uchwyt i z zatrzymanym ostrzem tnącym. Na czas transportu lub przechowywania nożyce zawsze zakładać transportową osłonę zabezpieczającą.** Prawidłowe obchodzenie się z nożycami do żywopłotu zmniejsza ewentualne obrażenia ciała spowodowane przez ostrza tnące.

- Elementy tnące poruszają się po wyłączeniu silnika.
- Przed rozpoczęciem pracy sprawdzić, czy przewód nie jest uszkodzony, i w razie potrzeby wymienić go. Należy regularnie sprawdzać i konserwować przycinarkę. Przycinarka może być naprawiana wyłącznie przez autoryzowany serwis.
- Sprawdzić żywopłot pod kątem obecności ciał obcych, jak płot druciany
- Dłonie i stopy należy zawsze trzymać poza obszarem cięcia.
- Przycinarkę zawsze trzymać w bezpiecznej odległości od ciała.
- Zawsze należy nosić okulary ochronne.
- Zawsze należy nosić rękawice.
- Z przycinarki należy korzystać jedynie przy świetle dziennym.
- Za każdym razem należy sprawdzić, czy otwory wentylacyjne są wolne od zanieczyszczeń.
- W promieniu 5 metrów od obszaru przycinania nie powinny się znajdować żadne osoby ani zwierzęta.
- Przed pracami konserwacyjnymi należy odłączyć wtyczkę od gniazdka.
- Po użyciu narzędzia należy przechowywać je tak, by ostrze nie było łatwo dostępne.
- Trzymać elektronarzędzie tylko za izolowane powierzchnie do chwytania, ponieważ ostrze tnące może zetknąć się z ukrytym okablowaniem. Zetknięcie się ostrza tnącego z przewodem pod napięciem może sprawić, że odsłonięte metalowe części narzędzia również będą pod napięciem i spowodować porażenie operatora prądem.

DODATKOWE OSTRZEŻENIA DOTYCZĄCE BEZPIECZEŃSTWA BEZPRZEWODOWE NOŻYCE DO ŻYWOPŁOTU


- Nie ładować nożyc do żywopłotu w deszczu ani w mokrych miejscach.
- Nie używać bezprzewodowych nożyc do żywopłotu w deszczu.
- Wyjąć lub odłączyć akumulator przed rozpoczęciem serwisowania, czyszczenia lub usuwania materiału z nożyc do żywopłotu.
- Nie wrzucać akumulatora (akumulatorów) do ognia. Akumulator może wybuchnąć. Przestrzegać krajowych przepisów dotyczących utylizacji.

2. INFORMACJE O MASZYNIE

Przeznaczenie

Te nożyce do żywopłotu są przeznaczone do odcinania gałęzi krzewów, roślin ozdobnych i żywopłotów.

DANE TECHNICZNE

Nr modelu	HT501DC
Napięcie znamionowe	20V 
Prędkość bez obciążenia	1.400/min.
Długość cięcia	510mm
szerokość cięcia	14mm
Waga	2.15 kg
LPA (ciśnienie akustyczne)	79.1 dB (A), KpA=3 dB (A)
LWA (moc akustyczna)	90.1 dB (A), KWA=3 dB (A)
Wartość drgań	1.937 m/s ² K=1.5 m/s ²

Akumulatory należące do platformy VONROC POWER 20 V można stosować we wszystkich narzędziach z platformy VONROC POWER 20 V.

CD801AA 20V, 2Ah Litowo-jonowy

CD803AA 20V, 4Ah Litowo-jonowy

Następującej ładowarki można używać do ładowania tych akumulatorów.

CD802AA Szybka ładowarka

Akumulatory należące do platformy VONROC POWER 20 V można stosować we wszystkich narzędziach z platformy VONROC POWER 20 V.

Poziom drgań

Poziom emisji drgań podany w tej instrukcji obsługi został zmierzony zgodnie ze standaryzowanym testem podanym w normie EN60745; może on służyć do porównywania narzędzi ze sobą oraz do wstępnego oszacowania ekspozycji na drgania podczas użytkowania narzędzia do podanych zastosowań

- używanie narzędzia do innych zastosowań lub z innymi lub źle konserwowanymi akcesoriami może znacząco zwiększać poziom ekspozycji
- okresy, gdy narzędzie jest wyłączone lub okresy, gdy jest włączone, ale nie pracuje, mogą znacząco zmniejszać poziom ekspozycji

Chronić się przed wpływem drgań, konserwując odpowiednio narzędzie i akcesoria, utrzymując ciepłotę dłoni oraz odpowiednio organizując pracę.

Opis

Liczby w tekście odnoszą się do rysunków na stronach 2-3.

1. Włacznik
2. Akumulator (nie dołączona)
3. Przycisk odblokowania akumulatora
4. Ostrze tnące
5. Osłona ochronna
6. Uchwyt przedni
7. Wyłącznik bezpieczeństwa
8. Zabezpieczenie na czas transportu

3. MONTAŻ

Przed rozpoczęciem jakichkolwiek prac dotyczących elektronarzędzia, wyjąć akumulator.



Zawsze wyjmować akumulator przed zamocowaniem akcesorium

Montaż uchwytu przedniego (rys. B)

1. Założyć uchwyt przedni (6) na narzędzie zgodnie z rysunkiem B.
2. Przymocować uchwyt przedni (6), dokręcając cztery śruby.

Montaż osłony ochronnej (rys. C)

Nie można korzystać z przycinarki do żywopłotów bez założonych osłon.

1. Założyć osłonę ochronną (5) na narzędzie zgodnie z rysunkiem C.
2. Przymocować osłonę ochronną (5), dokręcając dwie śruby.

Wkładanie akumulatora do narzędzia (Fig. A, D)

Dopilnować, aby zewnętrzna powierzchnia akumulatora była czysta i sucha przed podłączeniem do ładowarki lub narzędzia.

1. Włożyć akumulator (2) w podstawę narzędzia, zgodnie z rys. D.
2. Wcisnąć akumulator dalej, aż zatrzaśnie się w poprawnym położeniu.

Wymywanie akumulatora z narzędzia (Fig. A, D)

1. Nacisnąć przycisk odblokowania akumulatora (3)
2. Wyjąć akumulator z narzędzia zgodnie z rys. D.

4. OBSŁUGA

Przed użyciem zawsze sprawdzić wzrokowo, czy noże, śruby noży i zespół tnący nie są zużyte lub uszkodzone.



Nie można korzystać z przycinarki do żywopłotów bez założonych osłon.



Zawsze używać obu rąk do trzymania przycinarki i trzymać ją z dala od ciała.

Korzystanie z przycinarki do żywopłotów

- Dla własnego bezpieczeństwa i uzyskania najlepszych rezultatów należy zapoznać się z poniższymi poradami dla użytkowników i nie używać produktu do innych celów, niż jest przeznaczony.
- Ta przycinarka do żywopłotów służy do przycinania żywopłotów i krzewów. Wszystkie pozostałe zastosowania nie opisane w tej instrukcji mogą spowodować uszkodzenie przycinarki lub obrażenia użytkownika.

Włączanie i wyłączanie (Fig. A)

- Aby włączyć przycinarkę, nacisnąć jednocześnie przełącznik zabezpieczający (7) i przełącznik uruchamiający (1).
- Aby wyłączyć urządzenie, puścić jeden lub oba przełączniki.

Przycinanie żywopłotu – sprawdzona metoda

- Przycinarki do żywopłotów można używać także do przycinania krzewów.
- Najlepsze efekty osiąga się, trzymając ostrze pod kątem nie większym niż 15°.
- Naprzemiennie obracające się noże tną po obu stronach, dzięki czemu możliwe jest przycinanie żywopłotu w obu kierunkach.
- Boki żywopłotu należy przycinać, poruszając narzędziem po łuku, od dołu w górę.
- Żywopłot powinien być szerszy u dołu niż u góry. Zapewni to lepsze docieranie światła i utrzymanie dobrego stanu żywopłotu. Jeśli to możliwe, należy przyciąć obie strony żywopłotu.
- Przycinając boki żywopłotu, należy to robić od dołu w górę. Dzięki temu ścinki żywopłotu nie będą przeszkadzać w cięciu. Nie należy ciąć na siłę zbyt głęboko. Ciąć delikatnie po powierzchni żywopłotu.
- Przycinając górną część żywopłotu, należy ciąć

od siebie, ale nie sięgać zbyt daleko. Zalecane jest cięcie z jednoczesnym przesuwaniem się wzdłuż żywopłotu, przez cały czas stojąc mocno na obu stopach.

Bezpieczny transport

Nożyce do żywopłotu są wyposażone w zabezpieczenie na czas transportu (8) do bezpiecznego transportu narzędzia.

5. KONSERWACJA



Przed rozpoczęciem czyszczenia i konserwacji zawsze wyłącz maszynę i wyjmować z niej akumulator.

Czyszczyć obudowę maszyny regularnie miękką ściereczką, najlepiej po każdym użyciu. Dopilnować, aby otwory wentylacyjne były wolne od pyłu, kurzu i zabrudzeń. Usuwać odporne zabrudzenia miękką ściereczką zwilżoną mydlinami. Nie używać żadnych rozpuszczalników, takich jak benzyna, alkohol, amoniak itp. Takie substancje chemiczne spowodują uszkodzenie części z tworzyw sztucznych.

Ostrze tnące

- Podczas obchodzenia się z ostrzem tnącym lub jego czyszczenia zawsze nosić rękawice.
- Oczyszczyć ostrze tnące i spryskać je olejem ochronnym po każdym użyciu. Zalecamy regularne smarowanie ostrza tnącego olejem ochronnym podczas długich okresów pracy.
- Wzrokowo sprawdzić stan ostrza tnącego i sprawdzić, czy śruby są dobrze dokręcone w prowadnicy ostrza.
- Dopilnować, aby osłona ostrza była zamontowana na narzędziu.

Przechowywanie

Nożyce przechowywać w bezpiecznym i suchym miejscu niedostępnym dla dzieci. Nie kłaść niczego na narzędziu.

ŚRODOWISKO



Uszkodzone i/lub niepotrzebne urządzenia elektryczne lub elektroniczne podlegają zbiórce w odpowiednich punktach recyklingu.

Tylko kraje WE

Nie wyrzucac elektronarzędzi wraz z odpadami z gospodarstw domowych. Zgodnie z dyrektywa 2012/19/WE dotycząca zużytych urządzeń elektrycznych i elektronicznych oraz jej wdrożeniem do prawodawstwa krajowego, elektronarzędzia, które już nie nadają się do użytku, podlegają oddzielnej zbiórce oraz utylizacji w sposób przyjazny dla środowiska.

GWARANCJA

Produkty VONROC są wytwarzane zgodnie z najwyższymi standardami jakości i producent udziela gwarancji na wady materiałowe i wady wykonania na okres wymagany prawem, licząc od dnia zakupu. Jeśli wystąpi usterka produktu w tym okresie spowodowana wadą materiałową i/lub wadą wykonania, proszę bezpośrednio skontaktować się ze sprzedawcą VONROC.

Następujące okoliczności powodują unieważnienie gwarancji:

- Przeprowadzono naprawy lub modyfikacje narzędzia w serwisie innym lub autoryzowany lub podjęto ich próbę;
- Normalne zużycie nie jest objęte gwarancją;
- Narzędzie było używane niezgodnie z przeznaczeniem, źle z nim się obchodzono lub było nieprawidłowo konserwowane;
- Użyto części zamiennych innych niż oryginalne.

Niniejsza gwarancja to wyłączna gwarancja producenta i nie obowiązują żadne inne wyrażone ani dorozumiane gwarancje. Nie obowiązują żadne inne wyrażone ani dorozumiane gwarancje o zakresie przekraczającym niniejszą gwarancję, co obejmuje dorozumiane gwarancje przydatności do sprzedaży i przydatności do określonego celu. W żadnym przypadku firma VONROC nie ponosi odpowiedzialności za straty przypadkowe lub wynikowe. Zadośćuczynienie sprzedawcy jest ograniczone do naprawy lub wymiany niezgodnych urządzeń lub części.

Produkt i instrukcja obsługi podlegają zmianom. Dane techniczne podlegają zmianom bez przedzenia.



DECLARATION OF CONFORMITY HT501DC - HEDGE TRIMMER

- (EN) We declare under our sole responsibility that this product is in conformity with directive 2011/65/EU of the European parliament and of the council of 8 June on the restriction of the use of certain hazardous substances in electrical and electronic equipment is in conformity and accordance with the following standards and regulations:
- (DE) Der Hersteller erklärt eigenverantwortlich, dass dieses Produkt der Direktive 2011/65/ EU des Europäischen Parlaments und des Rats vom 8. Juni 2011 über die Einschränkung der Anwendung von bestimmten gefährlichen Stoffen in elektrischen und elektronischen Geräten entspricht. den folgenden Standards und Vorschriften entspricht:
- (NL) Wij verklaren onder onze volledige verantwoordelijkheid dat dit product voldoet aan de conform Richtlijn 2011/65/EU van het Europees Parlement en de Raad van 8 juni 2011 betreffende beperking van het gebruik van bepaalde gevaarlijke stoffen in elektrische en elektronische apparatuur en in overeenstemming is met de volgende standaarden en reguleringen:
- (FR) Nous déclarons sous notre seule responsabilité que ce produit est conforme aux standards et directives suivants: est conforme à la Directive 2011/65/EU du Parlement Européen et du Conseil du 8 juin 2011 concernant la limitation d'usage de certaines substances dangereuses dans l'équipement électrique et électronique.
- (ES) Declaramos bajo nuestra exclusiva responsabilidad que este producto cumple con las siguientes normas y estándares de funcionamiento: se encuentra conforme con la Directiva 2011/65/UE del Parlamento Europeo y del Consejo de 8 de junio de 2011 sobre la restricción del uso de determinadas sustancias peligrosas en los equipos eléctricos y electrónicos.
- (IT) Dichiariamo, sotto la nostra responsabilità, che questo prodotto è conforme alle normative e ai regolamenti seguenti: è conforme alla Direttiva 2011/65/UE del Parlamento Europeo e del Consiglio dell'8 giugno 2011 sulla limitazione dell'uso di determinate sostanze pericolose nelle apparecchiature elettriche ed elettroniche.
- (PL) Deklarujemy na własną odpowiedzialność, że ten produkt spełnia wymogi zawarte w następujących normach i przepisach: jest zgodny z Dyrektywą 2011/65/UE Parlamentu Europejskiego i Rady z dnia 8 czerwca 2011 r. w sprawie ograniczenia stosowania niektórych niebezpiecznych substancji w sprzęcie elektrycznym i elektronicznym.

EN 60745-1, EN 60745-2-15, EN 55014-1, EN 55014-2, 2006/42/EC, 2014/30/EU, 2011/65/EU, 2012/19/EC

Zwolle, 01-11-2019

H.G.F Rosberg
CEO

VONROC • Lingenstraat 6 • 8028 PM Zwolle • The Netherlands



VONROC®
BUILD YOUR FUTURE

©2019 VONROC
WWW.VONROC.COM

1911-22