

Installation Manual



TOOLS REQUIRED



PENCIL



(Ø6 Ø3.2) DRILL BIT



SILICONE GUN



FLAT HEAD & CROSS
HEAD SCREWDRIVER



TAPE MEASURE



SPIRIT LEVEL



DRILL



RUBBER HAMMER

PACKING LIST



A1

X1



B1

X1



B2

X1



I1

X5



E1

X1



E2

X1



E3

X1



E4

X1



E5

X1



I2

X1



ST1

ST4*16

X1



ST2

ST4*16

X1



ST3

ST4*30

X4



ST4

ST4*30

X1

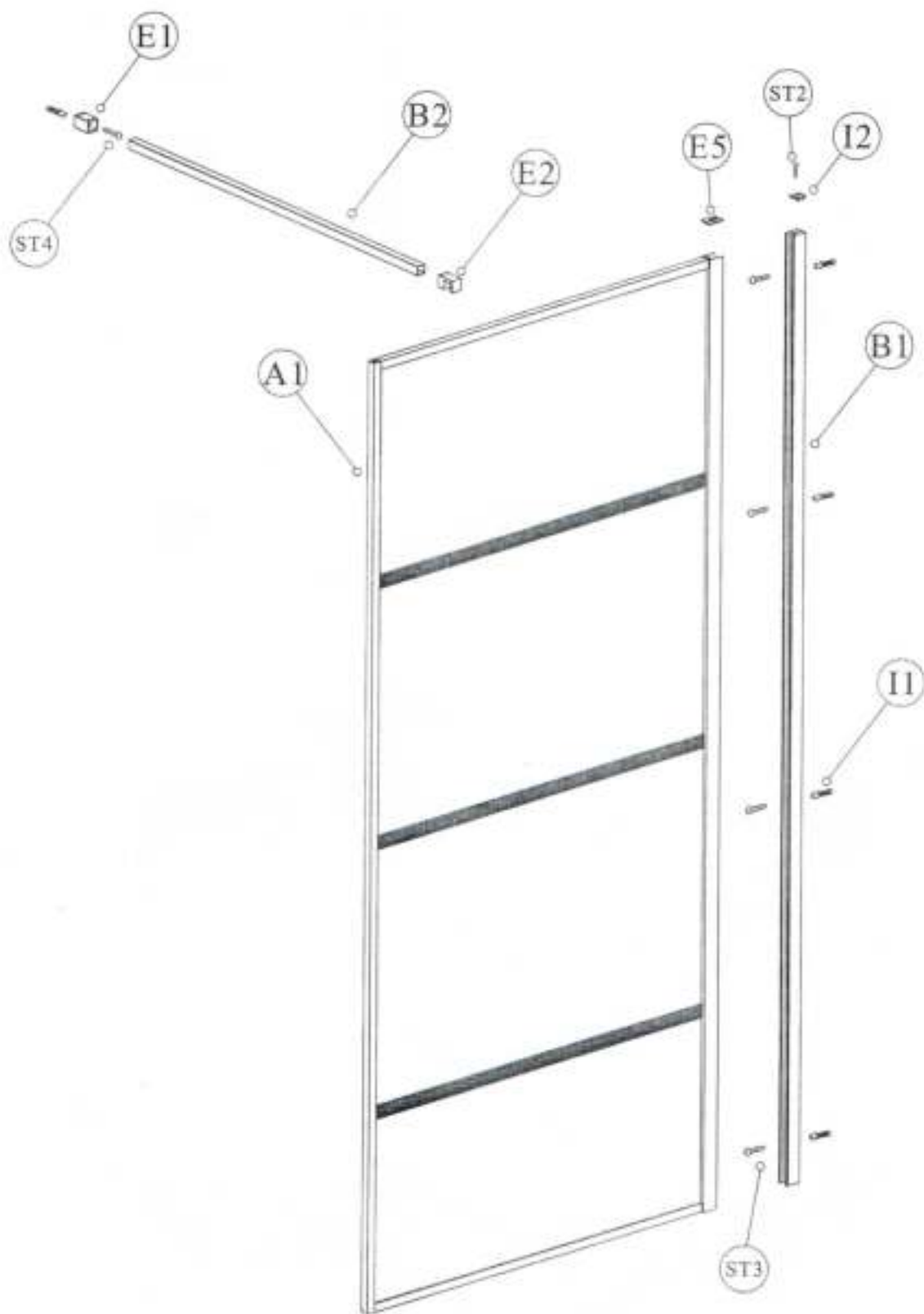


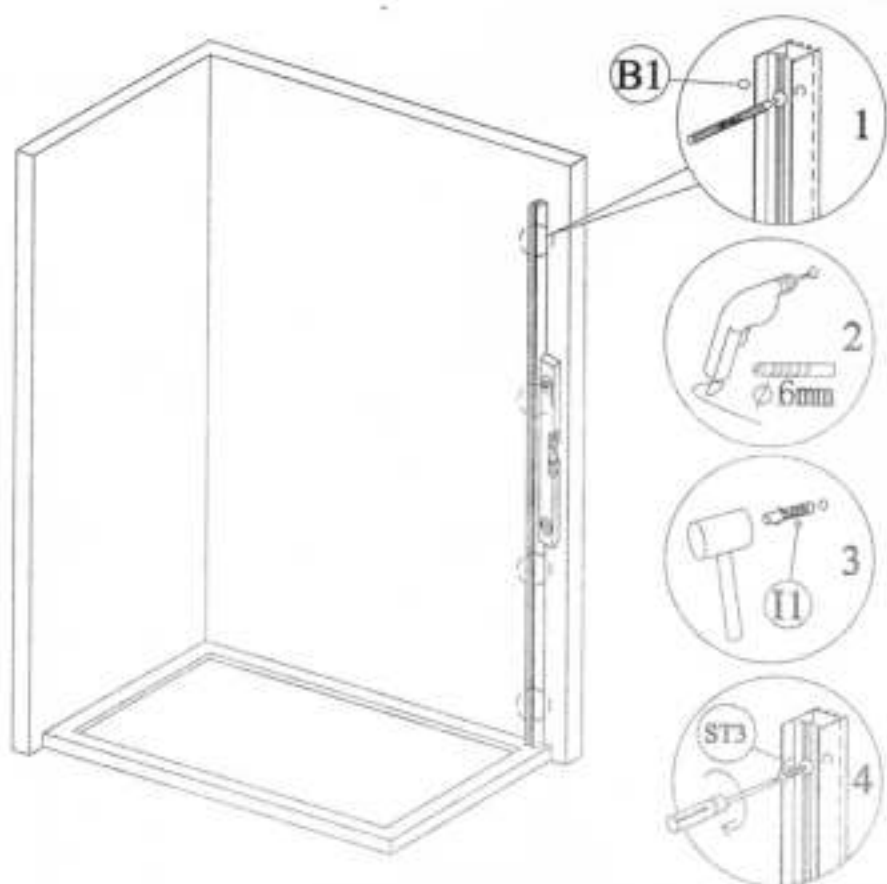
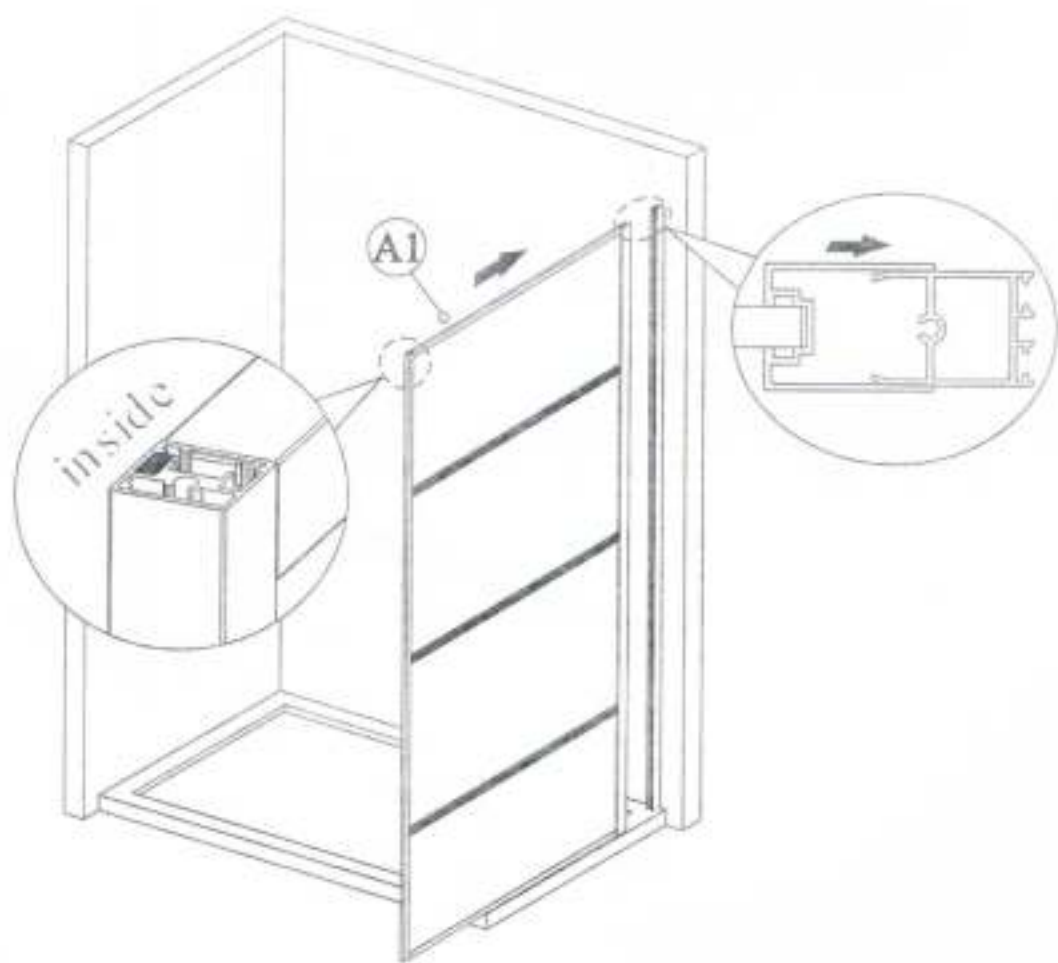
M1

M4*6

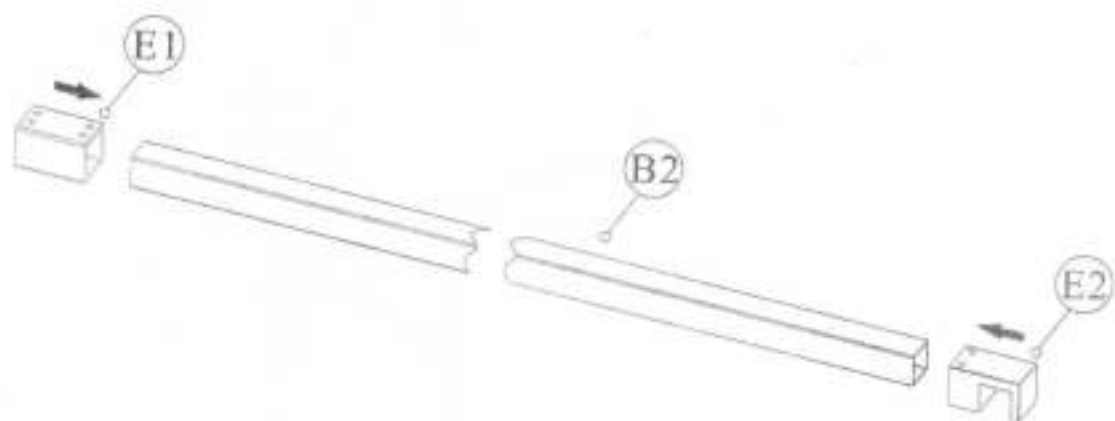
X1

PRODUCT SCHEMATIC DIAGRAM

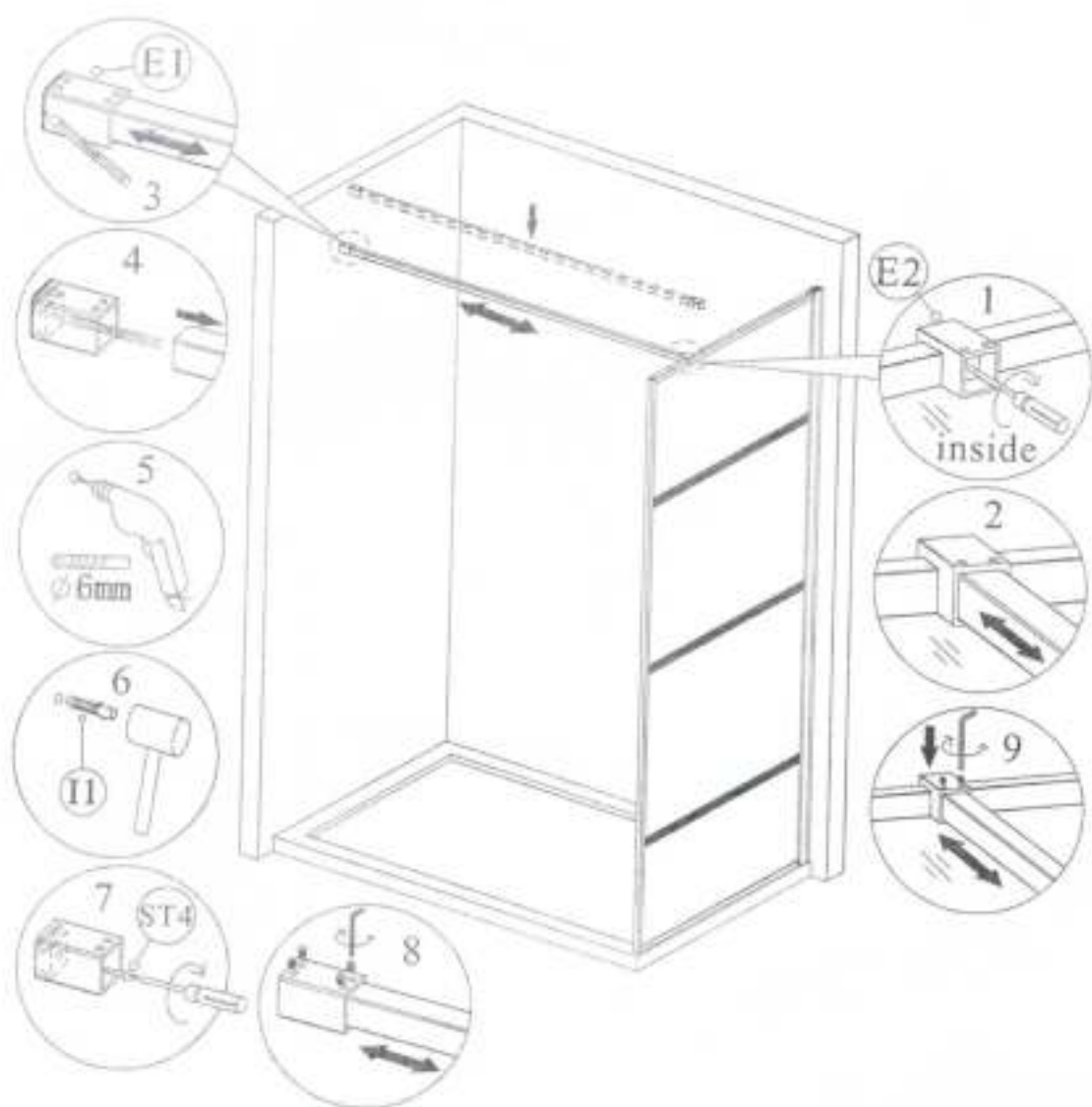


1**2****(3)**

3

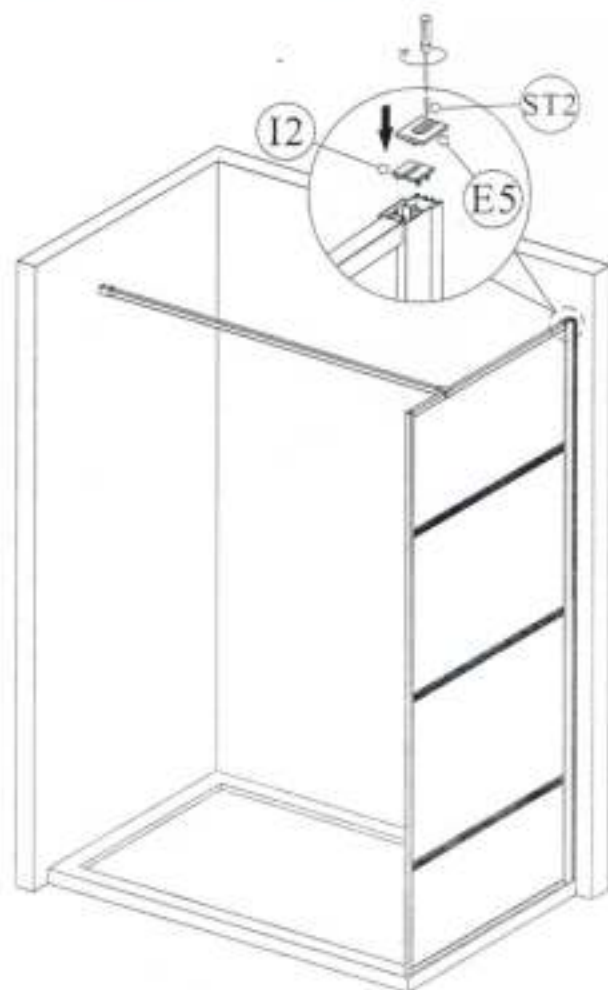


4

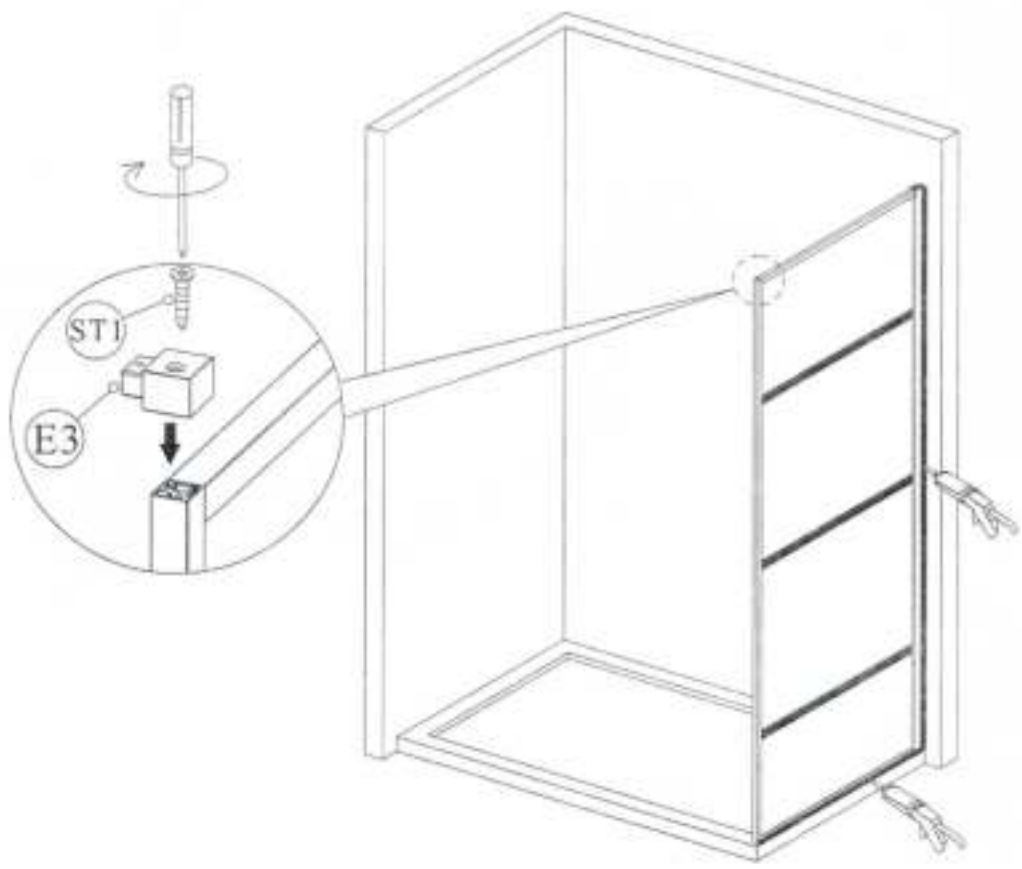


(4)

5

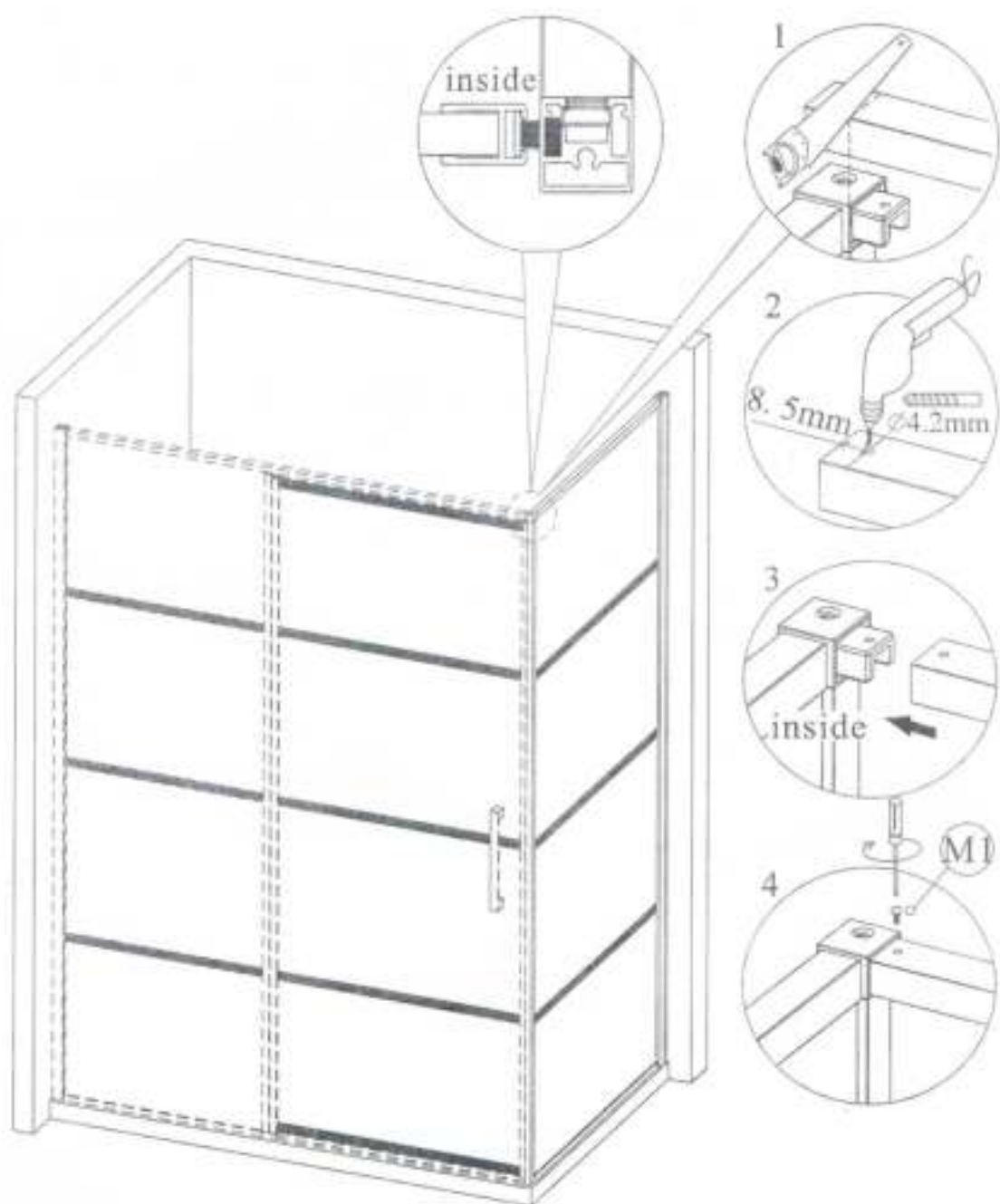


6



(5)

7



(6)

Cleaning & Maintenance

Clean the sundries regularly to prevent the drain from being jammed. Usually, clean the shower enclosure by mop with mild detergent.

Don't clean the shower enclosure with irritant detergent, such as alcohol, gasoline or other chemical cleaner.

Should there be any dirty stains on the shower enclosure, you may clean it by calico with toothpaste, but you need to clean it with water afterwards.

After the installation is completed, if you find there is much noise when the glass door moves, you may add small quantity of lubricant onto the roller wheel, slipping hook and the track.