

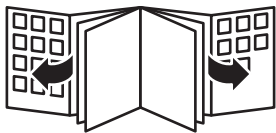
Register your product and get support at

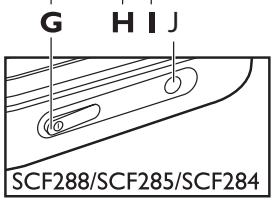
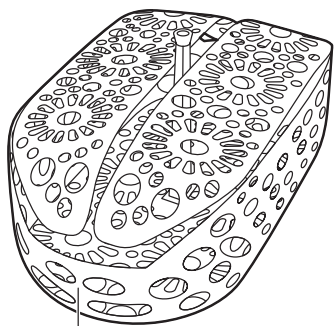
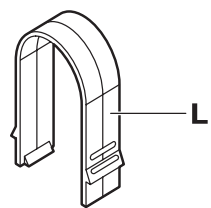
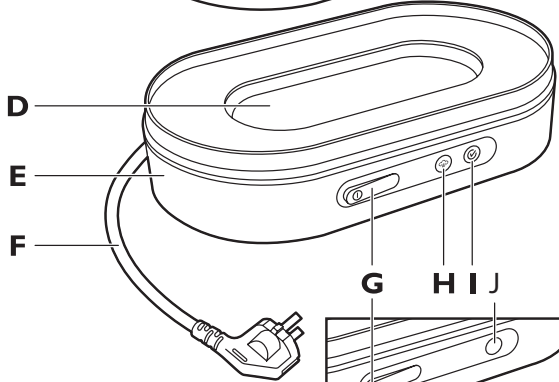
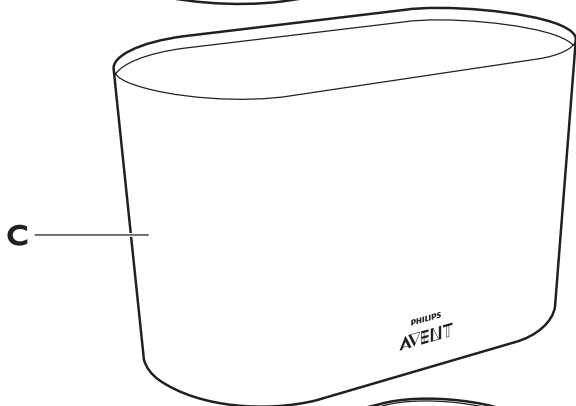
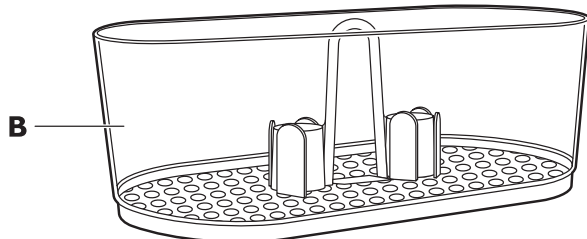
www.philips.com/welcome

SCF288, SCF287, SCF286, SCF285, SCF284



PHILIPS





K SCF288/SCF287/SCF286

SCF288, SCF287, SCF286, SCF285, SCF284

ENGLISH 6

ESPAÑOL 13

FRANÇAIS (CANADA) 20

Introduction

Congratulations on your purchase and welcome to Philips! To fully benefit from the support that Philips offers, register your product at www.philips.com/welcome.

General description (Fig. 1)

- A** Lid with grip
- B** Small basket
- C** Large basket
- D** Heating element with water reservoir
- E** Base
- F** Power cord
- G** Power-on button
- H** SCF287/SCF286: Sterilizing light
- I** SCF287/SCF286: Ready light
- J** SCF288/SCF285/SCF284: Sterilizing light
- K** Dishwasher basket (SCF288/SCF287/SCF286 only)
- L** Tongs

Note: You can find the type number of your sterilizer on the bottom of the appliance.

IMPORTANT SAFEGUARDS

When using electrical appliances, basic safety precautions should always be followed including the following:

- 1 Read all instructions.
- 2 To protect against electrical shock do not immerse cord, plugs or appliance in water or other liquid.
- 3 Close supervision is necessary when any appliance is used by or near children.
- 4 Always unplug from outlet when not in use and before cleaning. Allow to cool before putting on or taking off parts.
- 5 Always unplug the cord of the sterilizer before pouring away water and/or rinsing.
- 6 Do not operate any appliance with a damaged cord or plug or after the appliance malfunctions or has been damaged in any manner.
- 7 The use of accessory attachments not recommended by the appliance manufacturer may cause injuries.
- 8 Do not use outdoors.
- 9 Do not let cord hang over edge of table or counter, or touch hot surfaces.
- 10 Do not place on or near a hot gas or electric burner, or in a heated oven.
- 11 Extreme caution must be used when moving an appliance containing hot oil or other hot liquids. Always let the appliance cool down before moving, cleaning or storing it.
- 12 Always unplug the appliance when not in use.
- 13 Do not use appliance for other than intended use.
- 14 **WHEN IN USE, THE STERILIZER CONTAINS BOILING WATER AND STEAM ESCAPES FROM THE VENT IN THE LID.**

- 15 Ensure the sterilizer is placed on a firm level surface when in use.
- 16 Never move or open the unit when in use.
- 17 Always keep out of reach of children.
- 18 Never place items on top of the sterilizer.
- 19 To stop the sterilizer during the cycle, unplug at the electrical outlet.
- 20 Take care when opening as steam can burn.
- 21 Do not use chemical sterilizing solutions/tablets or bleach in your steam sterilizer or on products to be sterilized.
- 22 Do not use abrasive, antibacterial materials or scourers to clean the sterilizer.
- 23 Do not use softened water in the sterilizer.
- 24 A short power cord has been provided to prevent the risk of it becoming entangled or being tripped over.
- 25 Extension cords may be used if care is exercised in their use.
- 26 If an extension cord is used, its electrical rating must be as great as the rating of the appliance and not draped over the edge of the table top where it could be pulled by children or tripped over. The extension cord should be a grounded type 3 wire cord.
- 27 Failure to follow de-scaling instructions may cause irreparable damage.
- 28 There are no serviceable parts inside the sterilizer. Do not attempt to open, service or repair the sterilizer yourself.
- 29 Do not touch hot surfaces. Use handles or knobs.
- 30 HOUSEHOLD USE ONLY.
- 31 Check if the voltage that is indicated on the appliance corresponds to the local voltage before you connect the appliance.
- 32 Never turn on the Electric Steam Sterilizer before filling water into the water reservoir.
- 33 Do not sterilize very small parts which can fall through the holes of the containers
- 34 Using of homeopathic additives in water can have negative influence in steam, health and can damage plastic parts.

SAVE THESE INSTRUCTIONS

Caution

- Never use any accessories or parts from other manufacturers or Philips which are not specifically recommended. If you use such accessories or parts, your warranty becomes invalid.
- Use distilled water; bottled water or fresh running water without any additives.
- Do not put bleach or other chemicals in the appliance.
- Only sterilize baby feeding products that have been approved for sterilization.
- Do not expose the appliance to extreme heat or direct sunlight.
- Environmental conditions can influence the function of the appliance e.g. temperature, air pressure, local altitudes (sea level), etc.

Before first use

When you use the appliance for the first time, we advise you to let it complete one sterilization process with empty baskets.

Note: Heating up takes approx. 4 minutes and sterilizing takes approx. 6 minutes.

- 1** Use a baby bottle and pour exactly 3.4 fl. oz. (100 ml) of water directly into the water reservoir of the base (Fig. 2).
- 2** Place the large basket on the base (Fig. 3).
- 3** Place the small basket on the large basket (Fig. 4).
- 4** Place the lid on top of the small basket (Fig. 5).
- 5** Put the plug in an electrical outlet.
- 6** Press the power-on button to turn on the appliance. (Fig. 6)

Note: If you plug the appliance into the electrical outlet after you have pressed the power-on button, the sterilizer starts to heat up immediately.

SCF287/SCF286

- The sterilizing light lights up to indicate that the appliance is on.
- When the sterilization process is finished, the ready light goes on. After 3 minutes the ready light goes out to indicate that you can now safely open the sterilizer.

SCF288/SCF285/SCF284

- The sterilizing light lights up to indicate that the appliance is on.
 - When the sterilization process is finished, the appliance turns off automatically.
- 7** After the appliance has cooled down completely, remove the lid, the small basket and the large basket and wipe them dry.
 - 8** Let the appliance cool down completely for approx. 10 minutes before you use it again.

Note: The appliance does not work for 10 minutes after a sterilizing cycle. It needs to cool down first.

Preparing for use

Preparing for sterilizing

Before you put the items to be sterilized in the sterilizer, clean them thoroughly in the dishwasher or clean them by hand with hot water and some liquid soap.

Using the dishwasher basket (SCF288/SCF287/SCF286 only)

Use the dishwasher basket to preclean the items you want to sterilize.

- 1** Open the two sections of the lid of the dishwasher basket and place the bottles and accessories in the basket (Fig. 7).

Note: Make sure that the bottles are placed upside down.

- 2** Close the two sections of the lid of the dishwasher basket (Fig. 8).
- 3** Place the basket in the dishwasher.
- 4** Switch on the dishwasher and let it complete the dishwashing cycle.
- 5** When the dishwasher is finished, take out the dishwasher basket and make sure that the dishwasher basket and all items to be sterilized, are clean. If not, clean them by hand.
- 6** Place the dishwasher basket completely into the large basket of the sterilizer.

Note: You can leave the dishwasher basket inside the large basket with the two sections of the lid opened.

Assembling the sterilizer

There are several ways to assemble the sterilizer:

- 1 With only the small basket on the base to sterilize small items such as pacifiers (Fig. 9).
- 2 With only the large basket on the base to sterilize medium-sized items such as toddler plates or toddler cutlery (Fig. 10).
- 3 With the large basket and the small basket on the base to sterilize up to 6 11 fl. oz. (330ml) bottles. Place the bottles upside down in the large basket and place the bottle dome caps, screw rings and nipples in the small basket (Fig. 11).

Note: When you fill the small basket, put the nipples on the bottom, place the screw rings loosely on top of the nipples and clip the bottle caps onto the two pillars in the small basket.

Note: Make sure all parts that need to be sterilized are completely disassembled and place them in the basket with their openings pointing down to prevent them from filling up with water.

Using the appliance

Use the sterilizer for its intended household use as described in this manual.

Only place items in the sterilizer which are suitable for sterilizing. Do not sterilize items that are filled with liquid, e.g. a teether with cooling fluid.

Note: Before you sterilize bottles and other items, clean them first (see section 'Preparing for sterilizing').

- 1** Use a baby bottle and pour exactly 3.4 fl. oz. (100 ml) water directly into the water reservoir of the base (Fig. 2).
- 2** Assemble the sterilizer (see section 'Assembling the sterilizer') and place the items to be sterilized in it.
- 3** Place the lid on top of the small or large basket (Fig. 5).
- 4** Put the plug in an electrical outlet.
- 5** Press the power-on button to switch on the appliance (Fig. 6).

Note: If you plug the appliance into the electrical outlet after you have pressed the power-on button, the sterilizer starts to heat up immediately.

SCF287/SCF286

- ▶ The sterilizing light lights up to indicate that the appliance is on.
- ▶ When the sterilization process is finished, the ready light goes on. After 3 minutes the ready light goes out to indicate that you can now safely open the sterilizer.

SCF288/SCF285/SCF284

- ▶ The sterilizing light lights up to indicate that the appliance is on.
- ▶ When the sterilization process is finished, the appliance turns off automatically.

- 6** Remove the lid.

Wait until the appliance has cooled down before you remove the lid.

Be careful, hot steam may come out of the sterilizer.

- 7** Remove the bottles and other items from the basket. Use the tongs to remove the smaller items.

Be careful, the sterilized items may still be hot.

Note: Make sure you wash your hands thoroughly before you touch the sterilized items.

10 ENGLISH

8 Unplug the appliance from the outlet and wait until the appliance has cooled down completely.

9 Pour out any remaining water from the water reservoir and wipe the water reservoir dry.

Note: The appliance does not work for 10 minutes after a sterilizing cycle. It needs to cool down first.

Cleaning

Do not use abrasive or aggressive cleaning agents (e.g. bleach) or a scouring pad to clean this appliance.

Never immerse the base, the cord or the plug in water or any other liquid.

Note: The sterilizer is not dishwasher-safe. The baskets and the lid can be cleaned with hot water and some liquid soap.

1 Always unplug the appliance from the outlet and let it cool down before you clean it.

2 Clean the base with a damp cloth.

3 Clean the other parts in hot water with some liquid soap.

Note: After cleaning, store the sterilizer in a clean, dry place.

Descaling

When you use the sterilizer, small spots may appear on the heating element in the base. This is scale that is building up. The harder the water, the faster scale builds up. Descale the sterilizer at least every 4 weeks to ensure that it continues to work effectively.

1 Pour 2.7 fl. oz. (80 ml) white vinegar (5% acetic acid) and 0.7 fl. oz. (20ml) cold water into the water reservoir.

2 Leave the solution in the water reservoir until the scale has dissolved.

3 Empty the water reservoir, thoroughly rinse it and wipe the base with a damp cloth.

Note: This appliance has no other user-serviceable parts. For assistance call 1-800-54-AVENT (1-800-542-8368).

Environment

- Do not throw away the appliance with the normal household waste at the end of its life, but hand it in at an official collection point for recycling. By doing this, you help to preserve the environment (Fig. 12).
- For assistance visit www.recycle.philips.com or call 1-800-54-AVENT (1-800-542-8368).

Assistance

For assistance visit our website: www.philips.com/AVENT or call 1-800-54-AVENT (1-800-542-8368).

Warranty

FULL TWO-YEAR WARRANTY

Philips Electronics North America Corporation (USA) and Philips Electronics Ltd (CANADA) warrant each new Philips AVENT product, model SCF288, SCF287, SCF286, SCF285 or SCF284, against defects in materials or workmanship for a period of two years from the date of purchase, and agrees to repair or replace any defective product without charge.

IMPORTANT: This warranty does not cover damage resulting from accident, misuse or abuse, lack of reasonable care, or the affixing of any attachment not provided with the product. **NO RESPONSIBILITY IS ASSUMED FOR ANY SPECIAL, INCIDENTAL OR CONSEQUENTIAL DAMAGES.**

In order to obtain warranty service, simply call 1-800-54 AVENT.

Manufactured for:

Philips Consumer Lifestyle

A Division of Philips Electronics North America Corporation

P.O. Box 10313, Stamford, CT 06904

In Canada: Philips Electronics Ltd

281 Hillmount Road, Markham, ON L6C 2S3

Frequently asked questions

This chapter lists the questions most frequently asked about the appliance. If you cannot find the answer to your question, call 1-800-54-AVENT (1- 800-542-8368) for assistance.

Question	Answer
Why does water flow out of the sterilizer?	You may have poured too much water into the sterilizer. Do not pour more than 3.4 fl. oz. (100 ml) water in the water reservoir.
Why are there white spots in the water reservoir; the baskets or the lid?	Scale build-up is normal and occurs more quickly in hard water areas. Descale the appliance regularly (see chapter 'Descaling').
Why does a lot of steam escape from under the lid?	Check if the lid has been placed on the basket properly.
Why does the sterilization process take so long?	You may have poured too much water into the sterilizer (see chapter 'Using the appliance'). The number of items placed in the baskets and the number of baskets used determine the actual sterilization time.
Why is the sterilization process so short?	You may have poured too little water into the sterilizer (see chapter 'Using the appliance').
Why does the appliance start to heat up immediately when I plug it in?	You have pressed the power-on button before you plugged the appliance into the electrical outlet. When you press the power-on button before you put the plug in the outlet, the sterilizer starts operating immediately when you plug it in.

Question	Answer
SCF288/SCF285/SCF284: Why can't I restart the appliance?	The appliance does not work for 10 minutes after a sterilizing cycle, it needs to cool down first. Wait for 10 minutes, before you turn on the appliance again.
SCF287/SCF286: Why doesn't the ready light go out, when I restart the appliance?	The appliance does not work for 10 minutes after a sterilizing cycle, it needs to cool down first. Wait for 10 minutes, before you turn on the appliance again.

Introducción

Felicitaciones por su compra y bienvenido a Philips. Para disfrutar de todos los beneficios que le ofrece la asistencia de Philips, registre su producto en www.philips.com/welcome.

Información general (Fig. 1)

- A** Tapa con manija
- B** Canasta pequeña
- C** Canasta grande
- D** Resistencia con depósito de agua
- E** Base
- F** Cable de alimentación
- G** Botón de encendido
- H** SCF287/SCF286: luz de esterilización
- I** SCF287/SCF286: luz indicadora de proceso completo
- J** SCF288/SCF285/SCF284: luz de esterilización
- K** Canasta para el lavavajillas (sólo modelos SCF288/SCF287/SCF286)
- L** Pinzas

Nota: Puede encontrar el número de modelo del esterilizador en la base del aparato.

PRECAUCIONES IMPORTANTES

Si utiliza un aparato eléctrico siempre debe tomar medidas de seguridad básicas, tales como:

- 1 Lea todas las instrucciones.
- 2 No sumerja el cable de alimentación, los conectores ni el aparato en agua u otros líquidos para evitar descargas eléctricas.
- 3 Realice una estricta supervisión si el aparato es utilizado por niños o personas con discapacidad o en su cercanía.
- 4 Siempre desconecte el aparato del tomacorriente cuando no lo utilice. Deje que se enfríe antes de añadir o retirar piezas.
- 5 Siempre desenchufe el cable de alimentación del esterilizador antes de verter el agua o enjuagarlo.
- 6 Nunca use el aparato si el cable de alimentación o el conector están dañados, si funciona mal o si sufrió algún tipo de daño.
- 7 Evite el uso de accesorios no recomendados por el fabricante del aparato para prevenir lesiones.
- 8 No utilice el dispositivo al aire libre.
- 9 No deje que el cable cuelgue del borde de la superficie sobre la que se encuentra apoyado ni permita que toque superficies calientes.
- 10 No lo coloque sobre quemadores eléctricos o que funcionen con gas caliente ni cerca de ese tipo de aparatos. Tampoco lo coloque dentro de hornos calientes.
- 11 Tome las medidas de precaución necesarias cuando mueva un artefacto que contenga aceite caliente u otros líquidos calientes. Siempre deje que el aparato se enfríe antes de moverlo, limpiarlo o guardarlo.
- 12 Desenchufe el artefacto si no está en uso.

- 13 Utilice el aparato solamente para el fin con el que fue creado.
- 14 MIENTRAS ESTÁ EN USO, EL ESTERILIZADOR CONTIENE AGUA HIRVIENDO Y LA VENTILACIÓN DE LA TAPA DESPIDE VAPOR.
- 15 Asegúrese de que el esterilizador esté ubicado sobre una superficie firme durante el uso.
- 16 Nunca mueva ni abra la unidad durante el uso.
- 17 Mantenga el aparato lejos del alcance de los niños.
- 18 Nunca coloque elementos sobre el esterilizador.
- 19 Para detener el funcionamiento del esterilizador durante el ciclo de limpieza, desenchúfelo del tomacorriente.
- 20 Tenga cuidado al abrir el esterilizador para evitar sufrir quemaduras con el vapor.
- 21 No use líquidos de limpieza o pastillas que contengan químicos ni blanqueadores en su esterilizador a vapor ni en los productos que desea esterilizar.
- 22 No use abrasivos, productos antibacteriales ni líquidos abrasivos para limpiar el esterilizador.
- 23 No use agua ablandada en el esterilizador.
- 24 El aparato tiene un cable de alimentación corto para evitar enredos y caídas.
- 25 Puede utilizar un prolongador si toma las precauciones debidas.
- 26 Si se utilizan prolongadores, la clasificación eléctrica debe ser la misma que la clasificación del aparato y no debe colgar del borde de la superficie de apoyo para evitar caídas. El prolongador debe ser un cable a tierra tipo 3.
- 27 Si no se siguen las instrucciones de eliminación del sarro, el aparato puede sufrir daños irreparables.
- 28 El esterilizador no contiene en su interior piezas que puedan ser reparadas por el usuario. No intente realizar tareas de mantenimiento ni de reparación.
- 29 No toque superficies calientes. Use las manijas o las perillas.
- 30 EXCLUSIVO PARA USO DOMÉSTICO.
- 31 Antes de enchufar el aparato, compruebe si el voltaje indicado coincide con el de la red local.
- 32 Nunca encienda el esterilizador eléctrico a vapor antes de llenar el depósito de agua.
- 33 No esterilice objetos pequeños que puedan caer en los orificios de los contenedores.
- 34 El uso de aditivos homeopáticos en el agua puede provocar un efecto negativo en el vapor, la salud y puede dañar las piezas de plástico.

CONSERVE ESTAS INSTRUCCIONES

Precaución

- Sólo utilice los accesorios o las piezas de otros fabricantes y de Philips que estén específicamente recomendados. Si utiliza accesorios o piezas no recomendados, se anulará la garantía.
- Use agua destilada, agua embotellada o agua corriente sin aditivos.
- No coloque blanqueadores ni otros productos químicos en el aparato.
- Sólo esterilice productos de alimentación para bebés aptos para esterilización.
- No exponga el aparato a altas temperaturas ni a la luz solar directa.
- Las condiciones ambientales pueden afectar las funciones del aparato, como por ejemplo: la temperatura, la presión del aire y las altitudes locales (altura sobre el nivel del mar), etc.

Antes del primer uso

Cuando utilice el aparato por primera vez, le recomendamos que complete un proceso de esterilización con las canastas vacías.

Nota: El aparato demora aproximadamente 4 minutos en calentarse y la esterilización lleva unos 6 minutos.

- 1** Use un biberón y vierta exactamente 100 ml (3,4 oz. líq.) de agua directamente en el depósito de agua de la base (Fig. 2).
- 2** Coloque la canasta grande en la base (Fig. 3).
- 3** Coloque la canasta pequeña en la canasta grande (Fig. 4).
- 4** Coloque la tapa sobre la canasta pequeña (Fig. 5).
- 5** Enchufe el conector en el tomacorriente.
- 6** Pulse el botón de encendido para encender el aparato. (Fig. 6)

Nota: Si enchufa el conector del aparato en el tomacorriente después de presionar el botón de encendido, el esterilizador comenzará a calentarse inmediatamente.

SCF287/SCF286

- D** La luz de esterilización se encenderá para indicar que el aparato se encuentra encendido.
- D** Cuando el proceso de esterilización finaliza, la luz indicadora de proceso completo se iluminará. Después de transcurridos 3 minutos, la luz se apagará para indicar que puede abrir el esterilizador de forma segura.

SCF288/SCF285/SCF284

- D** La luz de esterilización se encenderá para indicar que el aparato se encuentra encendido.
 - D** Cuando el proceso de esterilización finalice, el aparato se apagará automáticamente.
- 7** Una vez que el aparato se haya enfriado completamente, retire la tapa, la canasta pequeña y la canasta grande y séquelas.
 - 8** Deje que el aparato se enfríe durante aproximadamente 10 minutos antes de volver a utilizarlo.

Nota: El aparato no funciona durante los 10 minutos posteriores a la finalización de un ciclo de esterilización. Debe dejarlo enfriar antes de poder volver a usarlo.

Preparación inicial

Preparación para la esterilización

Antes de colocar los objetos que desea esterilizar en el esterilizador, lávelos bien en el lavavajillas o a mano con agua caliente y un poco de detergente líquido.

Uso de la canasta para el lavavajillas (sólo modelos SCF288/SCF287/SCF286)

Puede usar la canasta para el lavavajillas para realizar una limpieza previa de los objetos que desea esterilizar.

- 1** Abra las dos secciones de la tapa de la canasta para el lavavajillas y coloque los biberones y los accesorios en su interior (Fig. 7).

Nota: Asegúrese de que los biberones están colocados boca abajo.

- 2** Cierre las dos secciones de la tapa de la canasta para el lavavajillas (Fig. 8).
- 3** Coloque la canasta en el lavavajillas.
- 4** Encienda el lavavajillas y deje que complete un ciclo de limpieza.

- 5 Cuando el proceso finalice, retire la canasta para el lavavajillas y asegúrese de que la canasta y todos los objetos que desea esterilizar estén limpios. Si están sucios, límpielos a mano.
- 6 Coloque la canasta para el lavavajillas en la canasta grande del esterilizador.

Nota: Puede dejar la canasta para el lavavajillas dentro de la canasta grande con las dos secciones de la tapa abiertas.

Montaje del esterilizador

Existen varias maneras armar el esterilizador:

- 1 Con la canasta pequeña en la base para esterilizar objetos pequeños (por ejemplo, chupetes) (Fig. 9).
- 2 Con la canasta grande en la base para esterilizar objetos medianos como extractores de leche, platos y cubiertos para niños (Fig. 10).
- 3 Con ambas canastas en la base para esterilizar hasta 6 biberones de 330 ml (11 oz. líq.). Coloque los biberones boca abajo en la canasta grande y coloque las tapas, los anillos de cierre y las tetinas en la canasta pequeña (Fig. 11).

Nota: Cuando llene la canasta pequeña, coloque las tetinas en el fondo, coloque los anillos de cierre sueltos encima de las tetinas y sujete las tapas de los biberones en las dos barras de la canasta pequeña.

Nota: Asegúrese de que todas las piezas que deben esterilizarse se hayan desmontado completamente y colóquelas en la canasta con las aberturas hacia abajo para evitar que se llenen de agua.

Uso del aparato

Utilice el esterilizador para el uso doméstico que se describe en este manual.

Coloque únicamente objetos que sean aptos para esterilización. No esterilice objetos que estén llenos de líquidos (por ejemplo, mordedores con refrigerante).

Nota: Limpie los biberones y los objetos antes de esterilizarlos (consulte la sección «Preparación para la esterilización»).

- 1 Use un biberón y vierta exactamente 100 ml (3,4 oz. líq.) de agua en el depósito de agua de la base (Fig. 2).
- 2 Arme el esterilizador (consulte la sección «Montaje del esterilizador») y coloque los objetos que desea esterilizar en su interior.
- 3 Coloque la tapa encima de la canasta pequeña o grande (Fig. 5).
- 4 Enchufe el conector en el tomacorriente.
- 5 Pulse el botón de encendido para encender el aparato (Fig. 6).

Nota: Si enchufa el conector del aparato en el tomacorriente después de presionar el botón de encendido, el esterilizador comenzará a calentarse inmediatamente.

SCF287/SCF286

- La luz de esterilización se encenderá para indicar que el aparato se encuentra encendido.
- Cuando el proceso de esterilización finaliza, la luz indicadora de proceso completo se iluminará. Después de transcurridos 3 minutos, la luz se apagará para indicar que puede abrir el esterilizador de forma segura.

SCF288/SCF285/SCF284

- La luz de esterilización se encenderá para indicar que el aparato se encuentra encendido.
- Cuando el proceso de esterilización finalice, el aparato se apagará automáticamente.

- 6 Retire la tapa.

Espera a que el aparato se enfríe antes retirar la tapa.

Tenga cuidado, puede salir vapor caliente del esterilizador.

- 7** Retire los biberones y los demás objetos de la canasta. Utilice las pinzas para retirar los objetos más pequeños.

Tenga cuidado, los objetos esterilizados todavía pueden estar calientes.

Nota: Lávese bien las manos antes de tocar los objetos esterilizados.

- 8** Desenchufe el aparato del tomacorriente y espere hasta que se haya enfriado por completo.
- 9** Vacíe el depósito de agua y séquelo.

Nota: El aparato no funciona durante los 10 minutos posteriores a la finalización de un ciclo de esterilización. Debe dejarlo enfriar antes de poder volver a usarlo.

Limpieza

No utilice limpiadores abrasivos ni agresivos, como blanqueadores, ni estropajos para limpiar el aparato.

No sumerja la base, el cable de alimentación ni el enchufe en agua u otros líquidos.

Nota: El esterilizador no es apto para el lavavajillas. Las canastas y la tapa pueden limpiarse con agua caliente y detergente líquido.

- 1** Siempre desenchufe el aparato del tomacorriente y déjelo enfriar antes de limpiarlo.
- 2** Limpie la base con un paño húmedo.
- 3** Lave las demás piezas con agua caliente y un poco de detergente líquido.

Nota: Cuando complete la limpieza, guarde el esterilizador en un lugar limpio y seco.

Eliminación del sarro

Pueden aparecer pequeñas manchas en la resistencia de la base del esterilizador. Esto se debe a la acumulación de sarro por el uso. Cuanto más dura es el agua, más rápido se forman los depósitos de sarro. Elimine los depósitos de sarro del aparato cada 4 semanas para garantizar un funcionamiento óptimo.

- 1** Vierta 80 ml (2,7 onzas líquidas) de vinagre blanco (ácido acético al 5%) y 20 ml (0,7 onzas líquidas) de agua fría en el depósito de agua.
- 2** Deje la solución en el depósito de agua hasta que el sarro se disuelva.
- 3** Vacíe el depósito de agua, enjuáguelo bien y limpie la base con un paño húmedo.

Nota: El equipo no contiene ninguna otra pieza que pueda ser reparada por el usuario. Para solicitar asistencia, llame al 1-800-54-AVENT (1-800-542-8368).

Medio ambiente

- Cuando finalice la vida útil del aparato, no lo deseche junto con los residuos domésticos habituales. Llévelo a un centro de recolección oficial para su reciclado. De esta forma, ayudará a proteger el medio ambiente (Fig. 12).
- Para solicitar asistencia, visite www.recycle.philips.com o comuníquese al 1-800-54-AVENT (1-800-542-8368).

Ayuda

Para solicitar asistencia, visite nuestro sitio web www.philips.com/AVENT o comuníquese al 1-800-54-AVENT (1-800-542-8368).

Garantía

GARANTÍA TOTAL DURANTE DOS AÑOS

Philips Electronics North America Corporation (EE. UU.) y Philips Electronics Ltd (Canadá) garantizan cada nuevo producto Philips AVENT, modelos SCF288, SCF287, SCF286, SCF285 y SCF284, contra defectos de materiales o de fabricación durante un período de dos años desde la fecha de compra, y se compromete a reparar o sustituir sin cargo todo producto defectuoso.

IMPORTANTE: esta garantía no cubre los daños resultantes de accidentes, uso inapropiado o abusos, falta de cuidado ni uso de accesorios no suministrados con el producto. **LA EMPRESA NO ASUME RESPONSABILIDAD ALGUNA POR DAÑOS ESPECIALES, INCIDENTALES NI EMERGENTES.**

Para solicitar el servicio de garantía, comuníquese al 1-800-54 AVENT.

Fabricado para:

Philips Consumer Lifestyle

Una división de Philips Electronics North America Corporation

P.O. Box 10313, Stamford, CT 06904

En Canadá: Philips Electronics Ltd

281 Hillmount Road, Markham, ON L6C 2S3

Preguntas frecuentes

Esta sección contiene un listado de las preguntas más frecuentes sobre el producto. Si no encuentra la respuesta que necesita, comuníquese al 1-800-54-AVENT (1-800-542-8368) para solicitar asistencia.

Pregunta	Respuesta
¿Por qué sale agua del esterilizador?	Es posible que haya colocado demasiada agua en el esterilizador. No coloque más de 100 ml (3,4 oz. líq.) de agua en el depósito.
¿Por qué hay manchas blancas en el depósito de agua, las canastas o la tapa?	La formación de depósitos de sarro es normal y ocurre más rápido en zonas donde el agua es dura. Elimine los depósitos de sarro del aparato frecuentemente (consulte el capítulo «Eliminación de los depósitos de sarro»).
¿Por qué sale tanto vapor de la tapa?	Verifique que la tapa esté correctamente colocada en la canasta.
¿Por qué el proceso de esterilización tarda tanto tiempo?	Es posible que haya colocado demasiada agua en el esterilizador (consulte el capítulo «Uso del aparato»). La cantidad de objetos colocados en las canastas y el número de canastas utilizadas determinan el tiempo real de esterilización.
¿Por qué el proceso de esterilización es tan corto?	Es posible que haya colocado poca agua en el esterilizador (consulte el capítulo «Uso del aparato»).
¿Por qué el aparato comienza a calentarse inmediatamente cuando lo enchufó?	Esto se debe a que oprimió el botón de encendido antes de enchufar el aparato al tomacorriente.

Pregunta	Respuesta
Modelos SCF288/SCF285/SCF284: ¿Por qué no puedo volver a encender el aparato?	El aparato no funciona durante los 10 minutos posteriores a la finalización de un ciclo de esterilización porque necesita tiempo para enfriarse. Espere 10 minutos antes de volver a encenderlo.
Modelos SCF287/SCF286: ¿Por qué la luz indicadora de proceso completo no se apaga cuando vuelvo a encender el aparato?	El aparato no funciona durante los 10 minutos posteriores a la finalización de un ciclo de esterilización porque necesita tiempo para enfriarse. Espere 10 minutos antes de volver a encenderlo.

Introduction

Félicitations pour votre achat et bienvenue dans l'univers Philips! Pour profiter pleinement du soutien de Philips, enregistrez votre produit à l'adresse : www.philips.com/welcome.

Description générale (fig. 1)

- A** Couvercle avec poignée
- B** Petit panier
- C** Grand panier
- D** Élément chauffant avec réservoir d'eau
- E** Socle
- F** Câble d'alimentation
- G** Bouton marche/arrêt
- H** Modèles SCF287 et SCF286 : voyant de stérilisation
- I** Modèles SCF287 et SCF286 : voyant «prêt»
- J** Modèles SCF288, SCF285 et SCF284 : voyant de stérilisation
- K** Panier pour lave-vaisselle (modèles SCF288, SCF287 et SCF286 seulement)
- L** Pincés

Remarque : Le numéro de modèle se trouve sous votre stérilisateur.

MISES EN GARDE IMPORTANTES

Quand vous utilisez un produit électrique, suivez toujours les mesures de sécurité fondamentales, notamment ce qui suit :

- 1 Lisez toutes les instructions.
- 2 Pour prévenir les risques de chocs électriques, ne plongez pas le cordon, les prises, ni l'appareil dans l'eau, ni dans aucun autre liquide.
- 3 Exercez toujours une surveillance étroite lorsque l'appareil est utilisé par des enfants ou en leur présence.
- 4 Assurez-vous de toujours débrancher l'appareil lorsque vous ne l'utilisez pas et avant de le nettoyer. Laissez-le refroidir avant d'y mettre des objets ou d'en retirer.
- 5 Débranchez toujours le cordon d'alimentation du stérilisateur avant d'en vider l'eau ou de le rincer.
- 6 Cessez d'utiliser l'appareil si son cordon d'alimentation ou toute autre partie venait à être endommagé ou si vous veniez à constater un dysfonctionnement quel qu'il soit.
- 7 N'utilisez aucun accessoire non recommandé par le fabricant de l'appareil sous peine de risquer des blessures.
- 8 N'utilisez pas cet appareil à l'extérieur.
- 9 Ne laissez pas le cordon d'alimentation dépasser du bord de la table ou du comptoir sur lequel l'appareil est posé, ni entrer en contact avec des surfaces chaudes.
- 10 Ne placez pas l'appareil sur ou à proximité d'un brûleur à gaz ou électrique, ni sur un four chaud.
- 11 Faites preuve d'extrême prudence lorsque vous déplacez un appareil contenant de l'huile chaude ou d'autres liquides chauds. Laissez toujours le temps à l'appareil de refroidir avant de le déplacer, de le nettoyer ou de le ranger.

- 12 Débranchez toujours l'appareil immédiatement après utilisation.
- 13 N'utilisez l'appareil pour aucun autre usage que celui prévu.
- 14 EN COURS D'UTILISATION, LE STÉRILISATEUR CONTIENT DE L'EAU BOUILLANTE ET DE LA VAPEUR S'ÉCHAPPE DE L'ÉVENT DU COUVERCLE.
- 15 Veillez à ce que le stérilisateur soit posé de façon bien stable sur une surface plane lorsque vous l'utilisez.
- 16 Ne déplacez et n'ouvrez jamais l'appareil en cours d'utilisation.
- 17 Gardez l'appareil hors de portée des enfants.
- 18 Ne posez jamais d'objets sur le stérilisateur.
- 19 Pour arrêter le stérilisateur en cours de cycle, débranchez son cordon d'alimentation de la prise.
- 20 Soyez prudent au moment de l'ouverture car la vapeur peut causer des brûlures.
- 21 N'utilisez aucun produit chimique de stérilisation ou de javellisation sur votre stérilisateur à vapeur, ni sur les objets que vous souhaitez stériliser.
- 22 N'utilisez pas de produit abrasif ou antibactérien, ni de tampon à récurer pour nettoyer le stérilisateur.
- 23 N'utilisez pas d'eau adoucie dans le stérilisateur.
- 24 Le cordon d'alimentation fourni est délibérément court pour éviter qu'il ne s'emmêle ou qu'il ne puisse être accroché involontairement.
- 25 Vous pouvez toutefois utiliser des rallonges en redoublant de vigilance.
- 26 Si vous souhaitez utiliser une rallonge, vérifiez que ses caractéristiques électriques sont aussi élevées que celles de l'appareil. Assurez-vous également qu'elle ne repose pas en bord de table où un enfant pourrait facilement l'attraper.
La rallonge utilisée doit être un câble à trois fils avec mise à la terre.
- 27 Le non respect des instructions de détartrage peut engendrer des dommages irréversibles.
- 28 Ce stérilisateur ne comprend aucune pièce réparable. Ne tentez pas de l'ouvrir ou de le réparer par vous-même.
- 29 Ne touchez pas les surfaces chaudes, mais servez-vous des poignées ou boutons.
- 30 CET APPAREIL EST DESTINÉ À UN USAGE DOMESTIQUE UNIQUEMENT.
- 31 Avant de brancher l'appareil, vérifiez si la tension admissible indiquée dessus correspond à celle de l'endroit où vous vous trouvez.
- 32 N'allumez jamais le stérilisateur électrique à vapeur avant de verser de l'eau dans son réservoir.
- 33 Ne stérilisez pas d'objets de très petite taille qui risqueraient de passer à travers les trous des conteneurs.
- 34 Évitez d'utiliser des additifs homéopathiques dans l'eau, car ils peuvent nuire à la vapeur et à la santé, mais aussi endommager les petites pièces en plastique.

CONSERVEZ CES CONSIGNES

Avertissement

- N'utilisez jamais d'accessoires, ni de pièces d'autres fabricants ou qui n'ont pas été spécifiquement recommandés par Philips. Votre garantie ne sera plus valable en cas d'utilisation de tels accessoires ou pièces.
- Utilisez de l'eau distillée, en bouteille ou du robinet, sans y mélanger d'additif.
- Ne versez pas de produit javellisant ou chimique dans l'appareil.

22 FRANÇAIS (CANADA)

- Ne stérilisez que des accessoires destinés à l'alimentation des bébés pour lesquels la stérilisation est approuvée.
- N'exposez pas l'appareil à des chaleurs intenses ou à la lumière directe du soleil.
- Les conditions ambiantes telles que la température, la pression de l'air ou encore l'altitude (par rapport au niveau de la mer) peuvent influencer sur le fonctionnement de l'appareil.

Avant la première utilisation

Lors de la première utilisation, nous vous conseillons d'effectuer un cycle de stérilisation avec des paniers vides.

Remarque : La phase de chauffage dure environ 4 minutes et la stérilisation environ 6.

- 1 À l'aide d'un biberon, versez exactement 100 ml (3,4 oz) d'eau directement dans le réservoir à la base de l'appareil (fig. 2).
- 2 Déposez le grand panier sur la base (fig. 3).
- 3 Déposez le petit panier sur le grand (fig. 4).
- 4 Placez le couvercle sur le petit panier (fig. 5).
- 5 Branchez le cordon d'alimentation sur une prise.
- 6 Appuyez sur le bouton marche/arrêt pour allumer l'appareil. (fig. 6)

Remarque : Si vous appuyez sur le bouton marche/arrêt avant d'avoir branché le stérilisateur, celui-ci commencera à chauffer aussitôt que vous le brancherez.

Modèles SCF287 et SCF286

- ▶ Le voyant de stérilisation s'allume pour indiquer que l'appareil est sous tension.
- ▶ Une fois le processus de stérilisation terminé, le voyant «prêt» s'allume, puis s'éteint au bout de 3 minutes pour signaler que vous pouvez ouvrir le stérilisateur en toute sécurité.

Modèles SCF288, SCF285 et SCF284

- ▶ Le voyant de stérilisation s'allume pour indiquer que l'appareil est sous tension.
 - ▶ L'appareil s'éteint automatiquement une fois le processus de stérilisation terminé.
- 7 Laissez l'appareil refroidir complètement, puis ouvrez le couvercle et retirez le petit panier, puis le grand et essuyez-les.
 - 8 Laissez l'appareil refroidir pendant une dizaine de minutes avant de vous en servir de nouveau.

Remarque : Cet appareil est inutilisable pendant les 10 minutes suivant un cycle de stérilisation. Vous devez lui laisser le temps de refroidir.

Avant l'utilisation

Préparation de la stérilisation

Avant de déposer des objets dans le stérilisateur, assurez-vous de les nettoyer soigneusement, soit au lave-vaisselle, soit à la main avec de l'eau chaude et du liquide vaisselle.

Utilisation du panier pour lave-vaisselle (modèles SCF288, SCF287 et SCF286 seulement)

Pour nettoyer vos accessoires avant de les stériliser, servez-vous du panier pour lave-vaisselle.

- 1 Ouvrez les deux parties du couvercle du panier pour lave-vaisselle et déposez-y les biberons et accessoires à laver (fig. 7).

Remarque : Placez toujours les biberons à l'envers.

- 2 Refermez les deux parties du couvercle du panier pour lave-vaisselle (fig. 8).
- 3 Déposez le panier dans le lave-vaisselle.
- 4 Allumez le lave-vaisselle et laissez-le aller au bout de son cycle.
- 5 Une fois le lave-vaisselle arrêté, retirez le panier et vérifiez que ce dernier ainsi que tous les objets qu'il contient sont stérilisés et propres. Si ce n'est pas le cas, nettoyez-les à la main.
- 6 Insérez entièrement le panier pour lave-vaisselle dans le grand panier du stérilisateur.

Remarque : Vous pouvez laisser le panier pour lave-vaisselle à l'intérieur du grand panier avec les deux parties du couvercle ouvertes.

Assemblage du stérilisateur

Il y a plusieurs façons d'assembler le stérilisateur.

- 1 Avec le petit panier seulement posé sur la base pour stériliser de petits accessoires comme des sucres (fig. 9)
- 2 Avec le grand panier seulement posé sur la base pour stériliser des objets de taille moyenne comme des assiettes ou des couverts pour enfants (fig. 10)
- 3 Avec les deux paniers posés sur la base pour stériliser jusqu'à six biberons de 330 ml (11 oz). Placez les biberons à l'envers dans le grand panier et déposez les capuchons, les bagues de serrage et les tétines dans le petit panier (fig. 11).

Remarque : Lorsque vous remplissez le petit panier, placez les tétines au fond, puis les bagues de serrage en vrac par-dessus et encastrez les capuchons sur les deux tiges du petit panier.

Remarque : Assurez-vous que tous les objets à stériliser sont entièrement démontés et placés dans le panier avec leur ouverture orientée vers le bas pour éviter que de l'eau ne s'accumule à l'intérieur.

Utilisation de l'appareil

Utilisez le stérilisateur conformément à son utilisation domestique prévue, comme il est décrit dans ce mode d'emploi.

Ne déposez dans le stérilisateur que des objets adaptés. Ne stérilisez aucun accessoire rempli liquide, comme par exemple les sucres contenant du liquide froid pour calmer la douleur.

Remarque : Nettoyez les objets avant de les stériliser (voir la section «Préparation de la stérilisation»).

- 1 À l'aide d'un biberon, versez exactement 100 ml (3,4 oz) d'eau directement dans le réservoir à la base de l'appareil (fig. 2).
- 2 Assemblez le stérilisateur (voir la section «Assemblage du stérilisateur») et déposez-y les objets à stériliser.

3 Placez le couvercle sur le petit ou sur le grand panier (fig. 5).

4 Branchez le cordon d'alimentation sur une prise.

5 Appuyez sur le bouton marche/arrêt pour allumer l'appareil (fig. 6).

Remarque : Si vous appuyez sur le bouton marche/arrêt avant d'avoir branché le stérilisateur, celui-ci commencera à chauffer aussitôt que vous le brancherez.

Modèles SCF287 et SCF286

- Le voyant de stérilisation s'allume pour indiquer que l'appareil est sous tension.
- Une fois le processus de stérilisation terminé, le voyant «prêt» s'allume, puis s'éteint au bout de 3 minutes pour signaler que vous pouvez ouvrir le stérilisateur en toute sécurité.

Modèles SCF288, SCF285 et SCF284

- Le voyant de stérilisation s'allume pour indiquer que l'appareil est sous tension.
- L'appareil s'éteint automatiquement une fois le processus de stérilisation terminé.

6 Retirez le couvercle.

Attendez que l'appareil ait refroidi avant d'ouvrir le couvercle.

Restez vigilant, car il est possible que de la vapeur chaude s'échappe du stérilisateur.

7 Retirez les biberons et autres objets du panier en vous servant des pinces pour saisir ceux de petite taille.

Soyez prudent, car il est possible que les objets stérilisés soient encore chauds.

Remarque : Veillez à vous laver soigneusement les mains avant de toucher les objets stérilisés.

8 Débranchez l'appareil et laissez-le refroidir complètement.

9 Videz l'eau restant dans le réservoir et essuyez ce dernier.

Remarque : Cet appareil est inutilisable pendant les 10 minutes suivant un cycle de stérilisation. Vous devez lui laisser le temps de refroidir.

Nettoyage

Ne vous servez pas de produit de nettoyage abrasif ou agressif comme l'eau de Javel, ni de tampon à récurer pour nettoyer cet appareil.

Ne plongez jamais la base, le cordon ou la prise dans de l'eau ni aucun autre liquide.

Remarque : Le stérilisateur ne peut pas être nettoyé au lave-vaisselle. Pour laver les paniers et le couvercle, servez-vous d'eau chaude et de liquide vaisselle.

1 Débranchez toujours l'appareil et laissez-le refroidir avant de le nettoyer.

2 Nettoyez la base à l'aide d'un chiffon humide.

3 Nettoyez les autres éléments avec de l'eau chaude et du liquide vaisselle.

Remarque : Une fois nettoyé, rangez le stérilisateur dans un endroit propre et sec.

Détartrage

Au fil de l'utilisation, il est possible que vous constatiez l'apparition de petits points sur l'élément chauffant de la base. Il s'agit de tartre qui s'accumule rapidement en présence d'eau dure. Assurez-vous de détartrer le stérilisateur toutes les quatre semaines pour garantir son bon fonctionnement.

- 1** Versez 80 ml (2,7 oz) de vinaigre blanc (à 5 % d'acide acétique) et 20 ml (0,7 oz) d'eau froide dans le réservoir.
- 2** Laissez ce mélange dans le réservoir jusqu'à ce que le tartre soit dissous.
- 3** Videz le réservoir d'eau, rincez-le soigneusement et essuyez la base à l'aide d'un chiffon humide.

Remarque : Les éléments de cet appareil ne peuvent être démontés. Pour obtenir de l'aide, appelez le 1 800 54-AVENT (1 800 542-8368).

Environnement

- Ne jetez pas l'appareil avec les ordures ménagères à la fin de sa vie utile; déposez-le plutôt dans un point de collecte de recyclage. Vous contribuerez ainsi à la protection de l'environnement (fig. 12).
- Pour obtenir de l'aide, visitez le site Web www.recycle.philips.com ou composez le 1 800 54-AVENT (1 800 542-8368).

Aide

Pour obtenir de l'aide, visitez notre site Web www.philips.com/AVENT ou composez le 1 800 54-AVENT (1 800 542-8368).

Garantie

GARANTIE COMPLÈTE DE DEUX ANS

Philips Electronics North America Corporation (États-Unis) et Philips Electronics Ltd (CANADA) garantissent chaque nouveau produit Philips AVENT modèle SCF288, SCF287, SCF286, SCF285 ou SCF284 contre tout défaut de fabrication et de main-d'œuvre pendant une période de deux ans à compter de la date d'achat et s'engagent à réparer ou remplacer sans frais tout appareil défectueux durant cette période.

IMPORTANT : Cette garantie ne couvre pas les dommages causés par un accident, une mauvaise utilisation, l'absence de diligence raisonnable, ou par l'ajout de toute pièce non fournie avec le produit. **PHILIPS NE POURRA EN AUCUN CAS ÊTRE TENUE RESPONSABLE DE DOMMAGES SPÉCIFIQUES, ACCESSOIRES OU CORRÉLATIFS.**

Pour vous prévaloir des services offerts dans le cadre de la garantie, composez sans frais le 1 800 54-AVENT.

Fabriqué pour :

Philips Consumer Lifestyle

Une division de Philips Electronics North America Corporation

P.O. Box 10313, Stamford, CT 06904, États-Unis

Au Canada : Philips Electronics Ltd

281 Hillmount Road, Markham, ON L6C 2S3

Foire aux questions

Cette section énumère les questions les plus fréquentes au sujet de cet appareil. Si vous ne trouvez pas la réponse à votre question ici, composez le 1 800 54-AVENT (1 800 542-8368) pour obtenir de l'aide.

Question	Réponse
Pourquoi de l'eau s'écoule-t-elle du stérilisateur?	Vous avez peut-être versé trop d'eau dans le stérilisateur. Ne dépassez pas la quantité recommandée de 100 ml (3,4 oz) dans le réservoir.
Pourquoi des points blancs sont-ils apparus dans le réservoir d'eau, sur les paniers ou sur le couvercle?	Il s'agit simplement d'une accumulation normale de tartre, assez rapide en présence d'eau dure. Détartrez l'appareil régulièrement (voir la section «Détartrage»).
Pourquoi une quantité importante de vapeur s'échappe-t-elle du couvercle?	Vérifiez que le couvercle est placé correctement sur le panier.
Pourquoi le processus de stérilisation est-il aussi long?	Vous avez peut-être versé trop d'eau dans le stérilisateur (voir la section «Utilisation de l'appareil»). La durée de la stérilisation varie selon le nombre d'objets placés dans les paniers et selon le nombre de paniers utilisés.
Pourquoi le processus de stérilisation est-il aussi court?	Vous n'avez peut-être pas versé suffisamment d'eau dans le stérilisateur (voir la section «Utilisation de l'appareil»).
Pourquoi l'appareil se met-il à chauffer dès que je le branche?	Vous avez appuyé sur bouton marche/arrêt avant de brancher l'appareil et il est donc tout à fait normal qu'il commence à chauffer dès que vous le branchez.
Modèles SCF288, SCF285 et SCF284 : Pourquoi ne puis-je pas redémarrer l'appareil?	Cet appareil est inutilisable pendant les 10 minutes suivant un cycle de stérilisation. Vous devez lui laisser le temps de refroidir une dizaine de minutes avant de l'utiliser de nouveau.
Modèles SCF287 et SCF286 : Pourquoi le voyant «prêt» s'éteint-il lorsque je redémarre l'appareil?	Cet appareil est inutilisable pendant les 10 minutes suivant un cycle de stérilisation. Vous devez lui laisser le temps de refroidir une dizaine de minutes avant de l'utiliser de nouveau.

