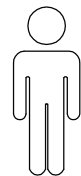
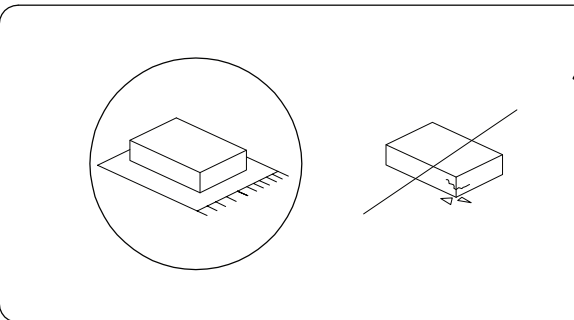
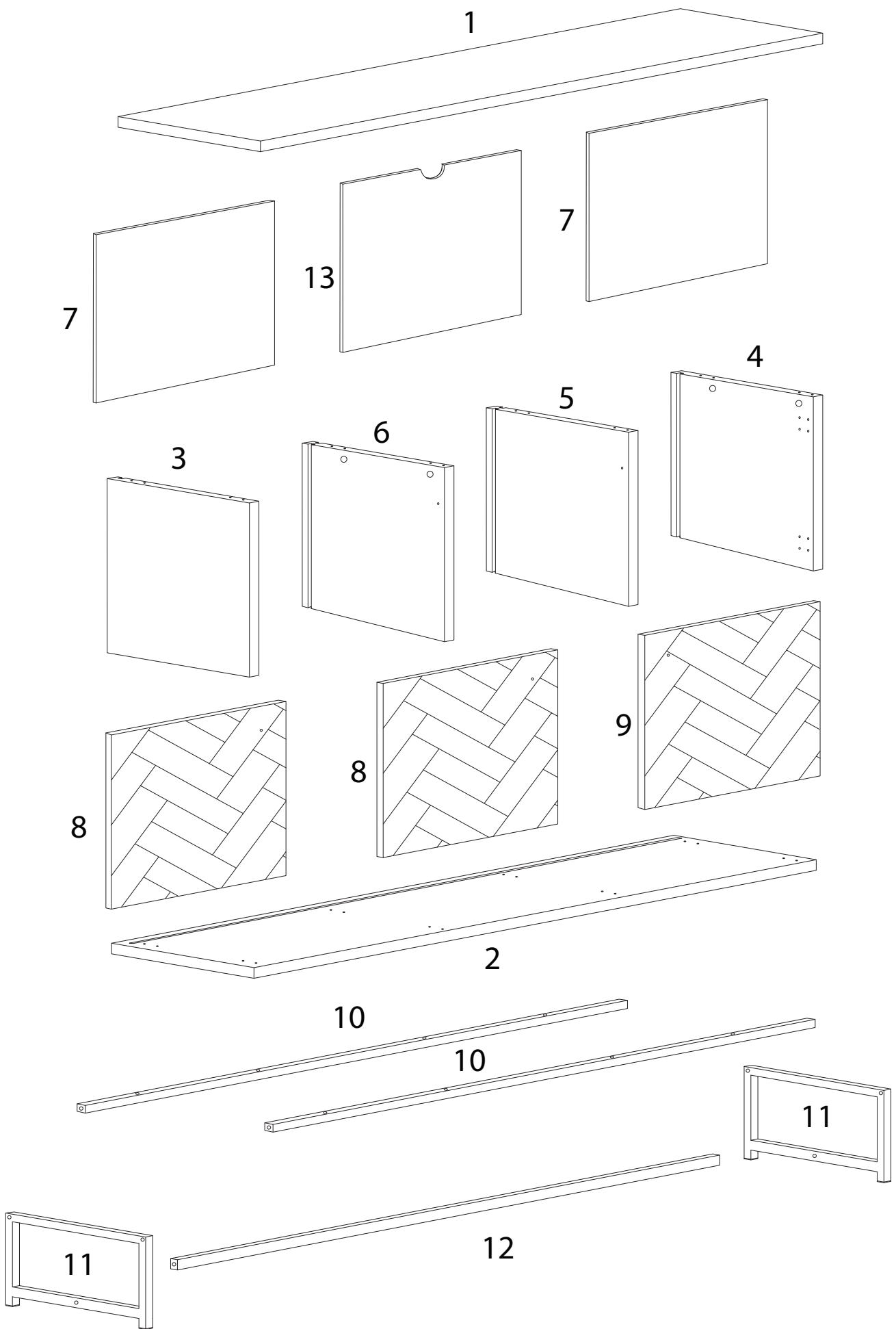


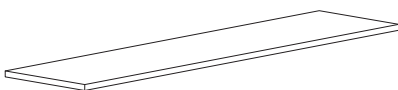
60'



2

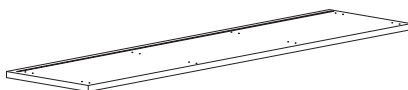


1



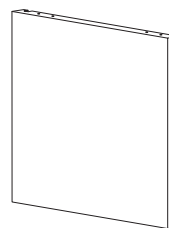
x 1

2



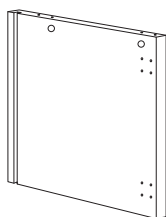
x 1

3



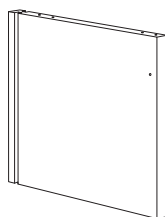
x 1

4



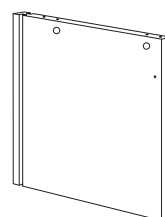
x 1

5



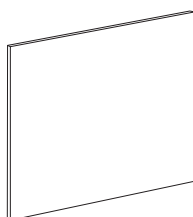
x 1

6



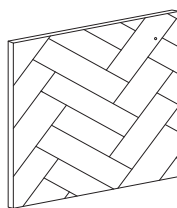
x 1

7



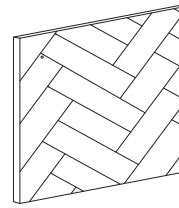
x 2

8



x 2

9



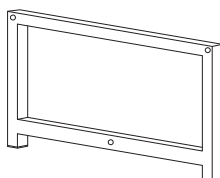
x 1

10



x 2

11



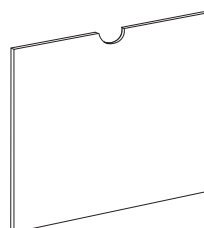
x 2

12



x 1

13



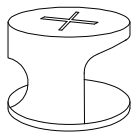
x 1

A



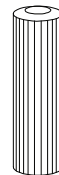
x 8

B



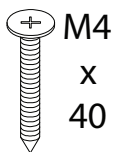
x 8

C



x 16

D



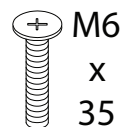
x 8

G



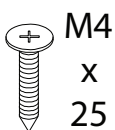
x 3

I



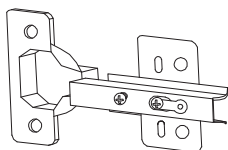
x 6

J



x 8

K



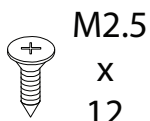
x 6

L



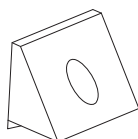
x 36

N



x 12

O



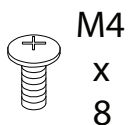
x 12

P1



x 3

P2



x 3

P3



x 3

W



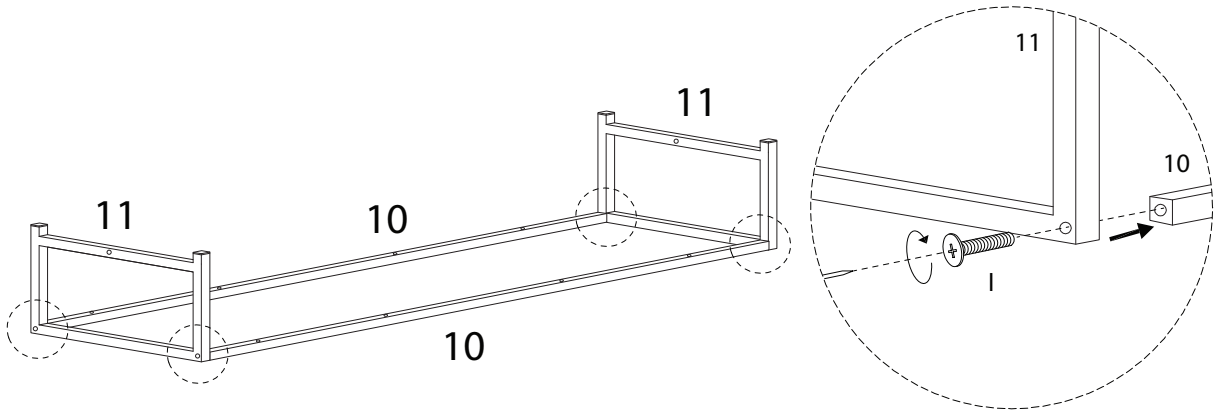
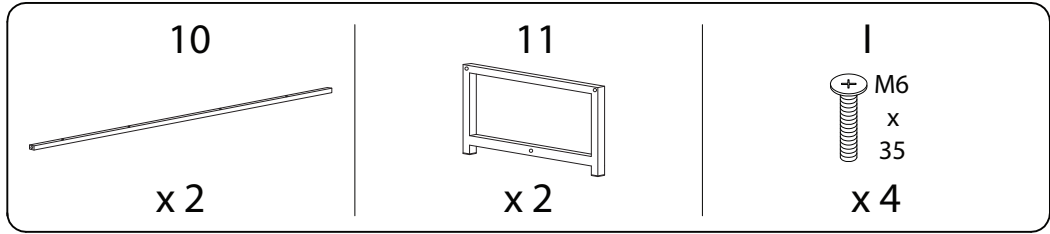
x 1

Y

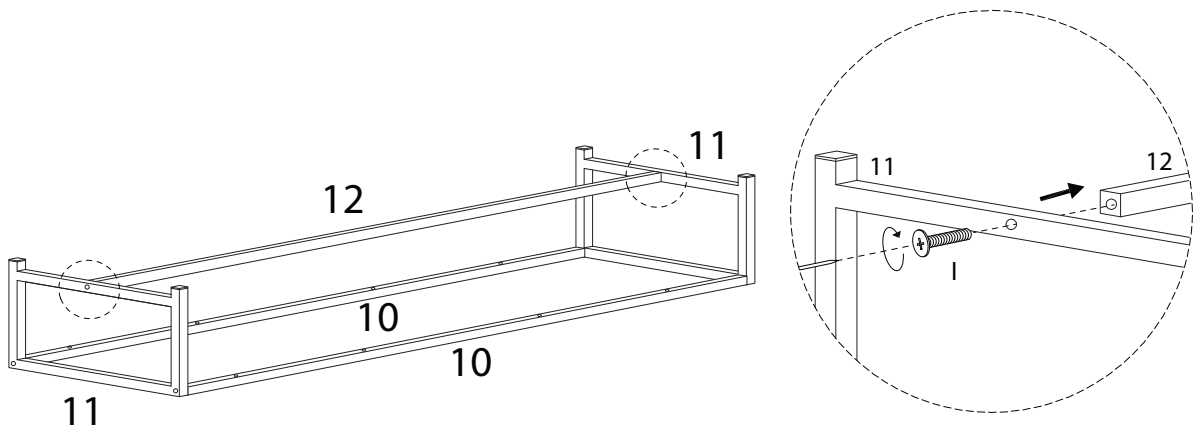
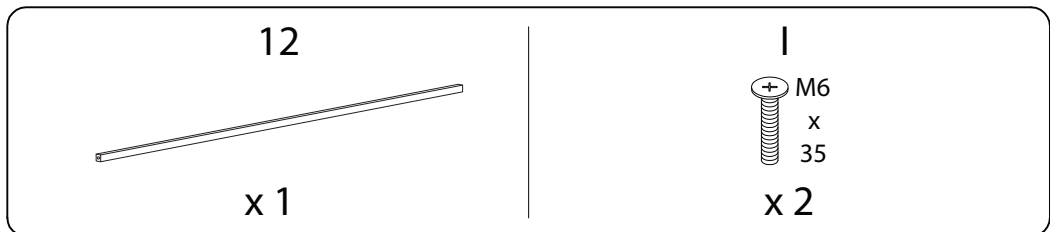


x 1

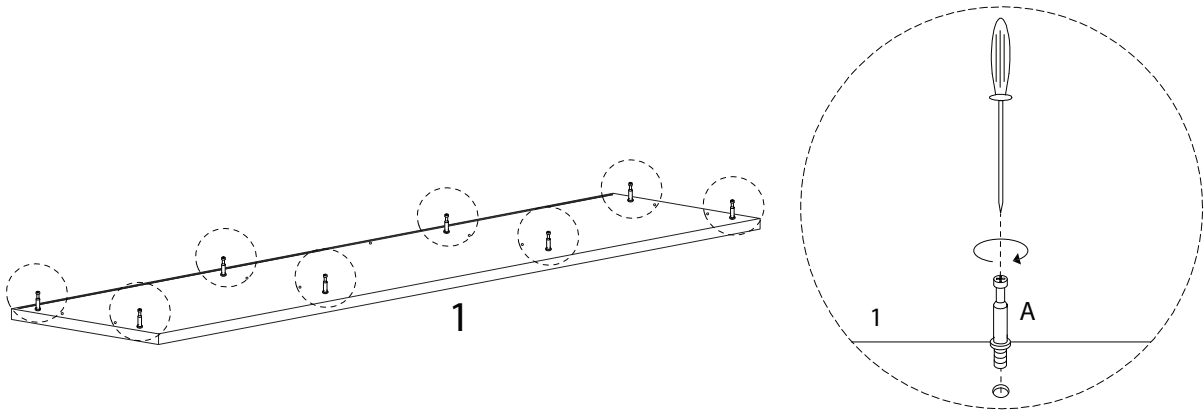
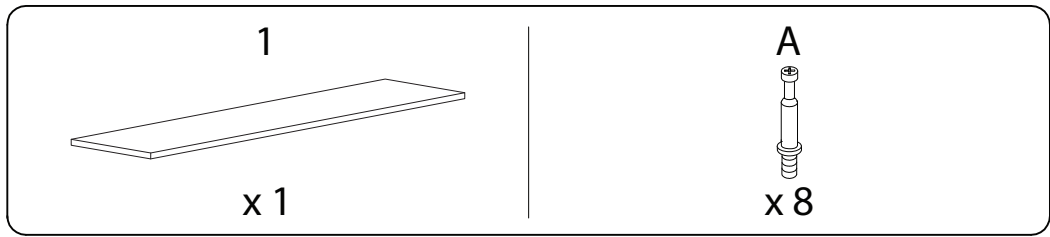
1



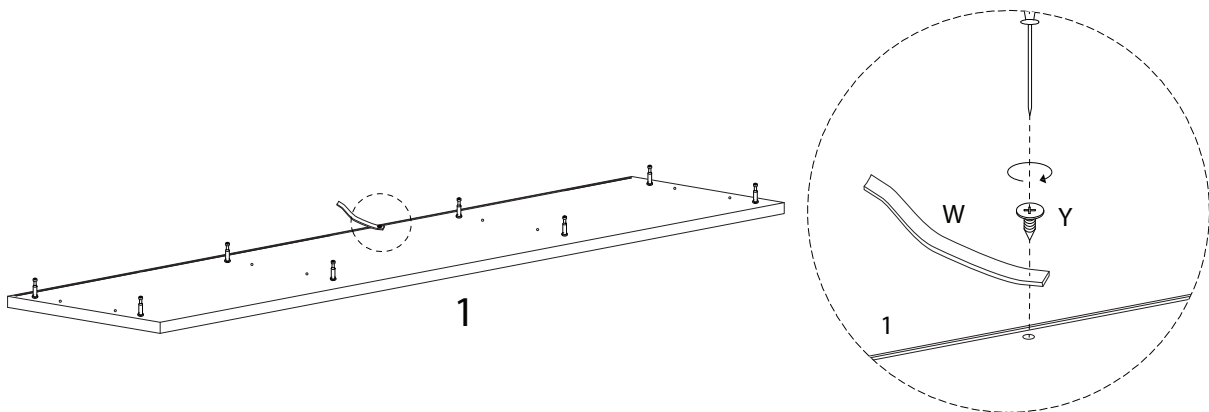
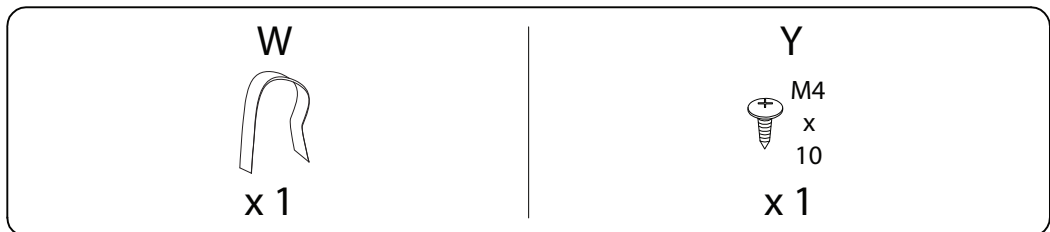
2



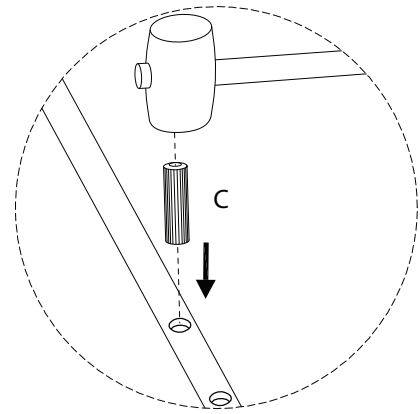
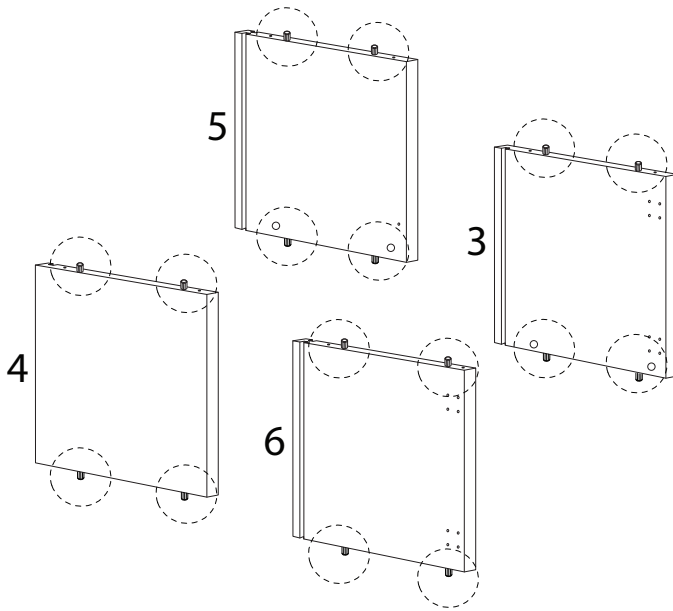
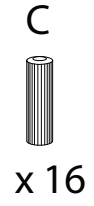
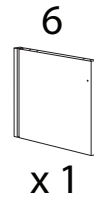
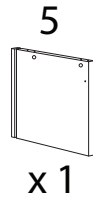
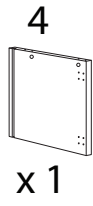
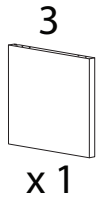
3



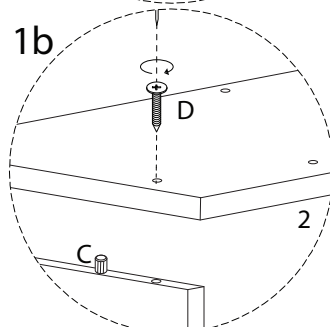
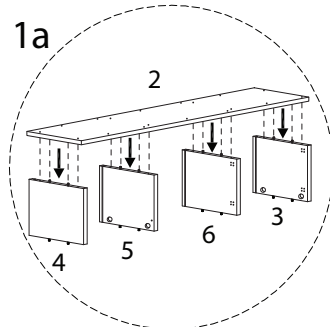
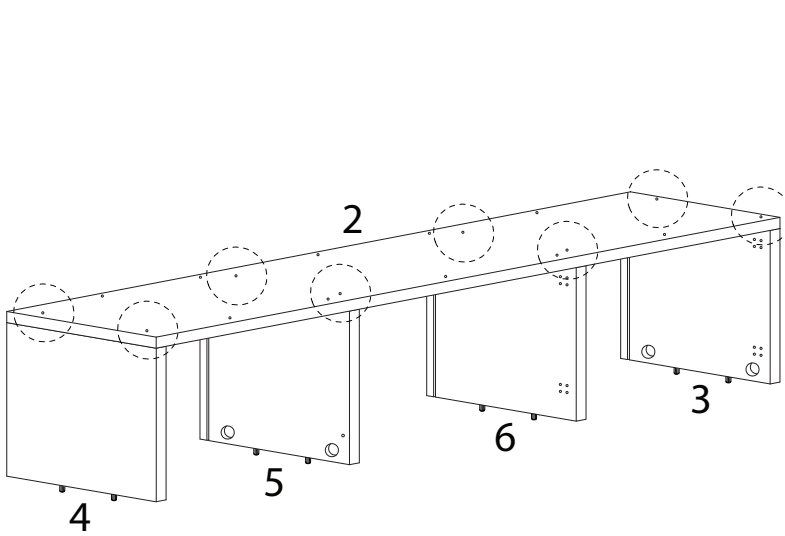
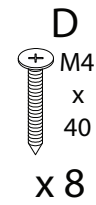
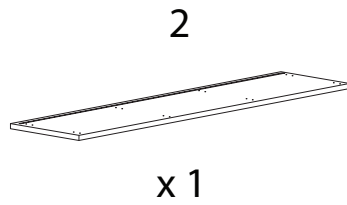
4



5

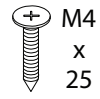


6

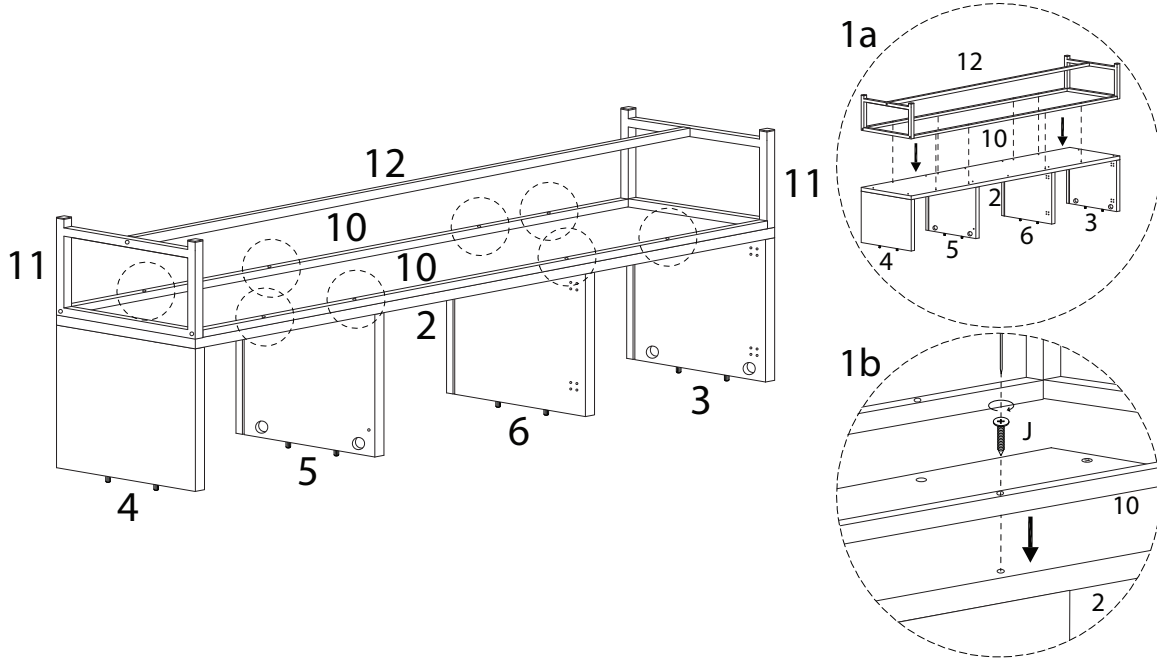


7

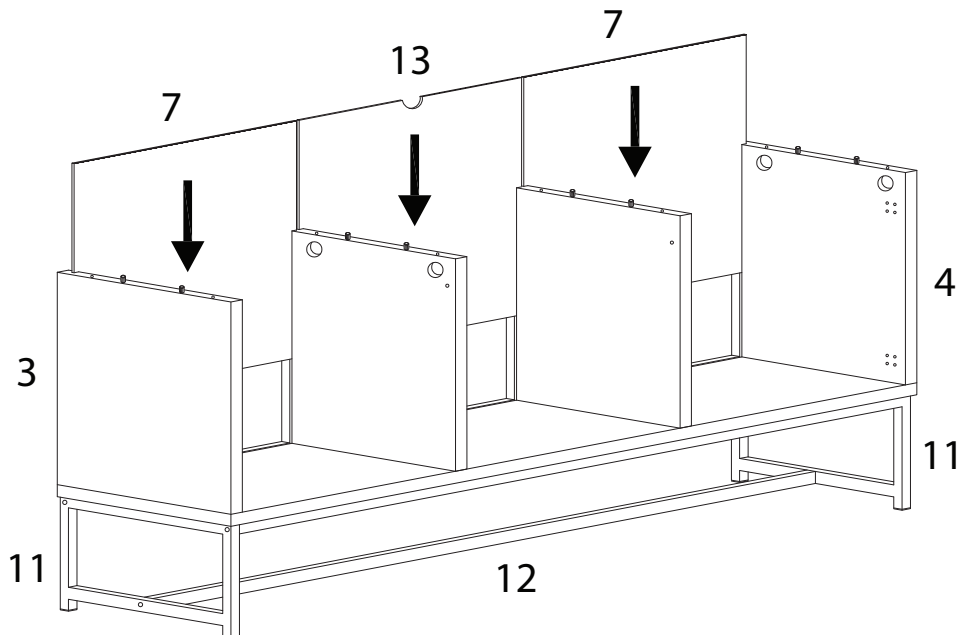
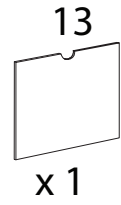
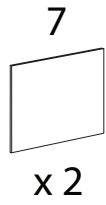
J



x 8

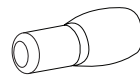


8

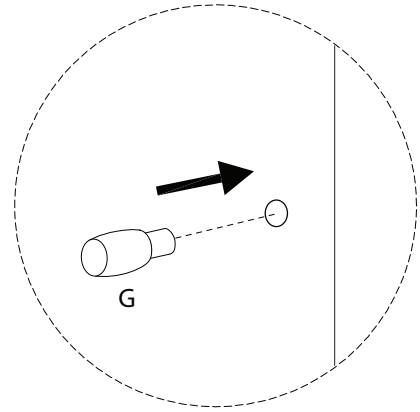
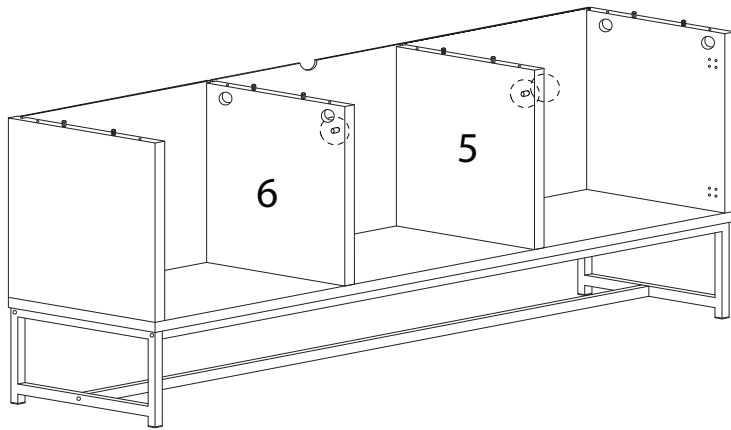


9

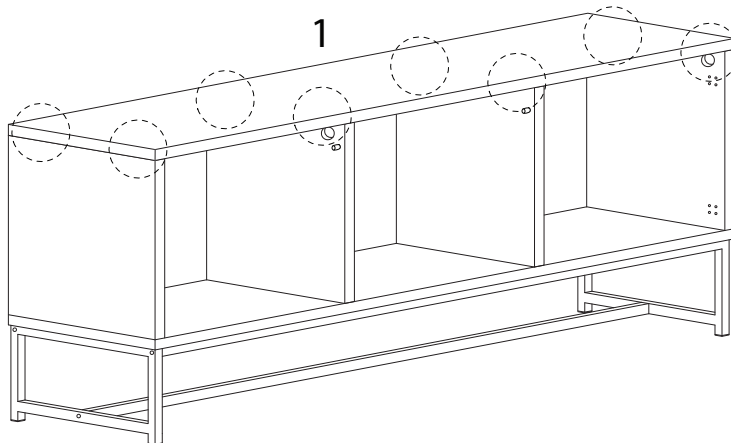
G



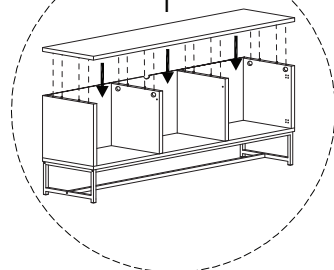
x 3



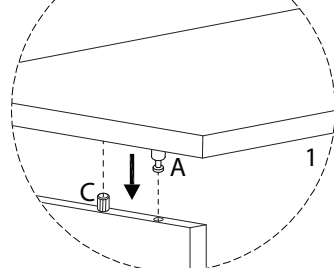
10



1a



1b

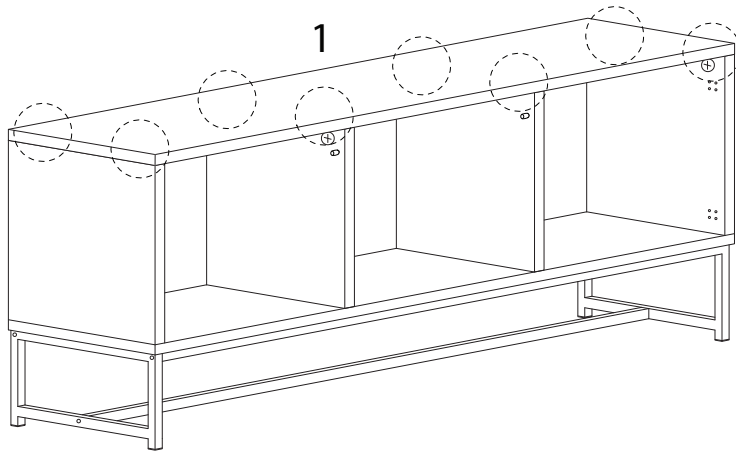


11

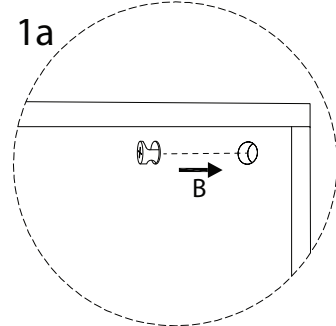
B



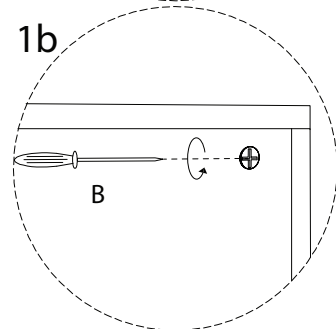
x 8



1a

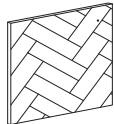


1b



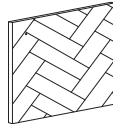
12

8



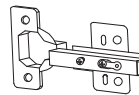
x 2

9



x 1

K



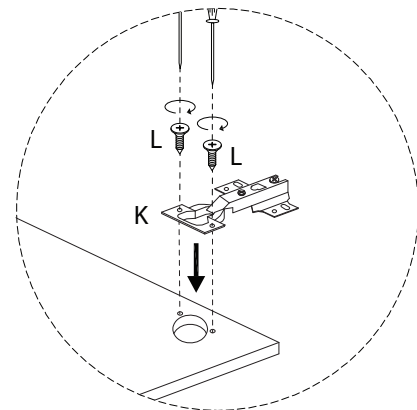
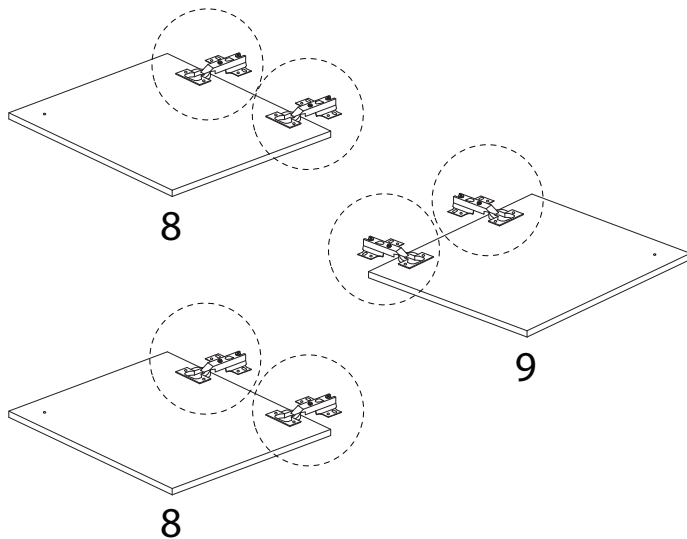
x 6

L



x 14

x 12



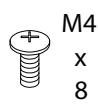
13

P1



x 3

P2



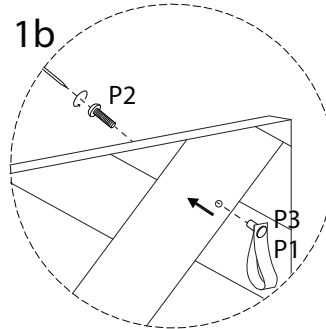
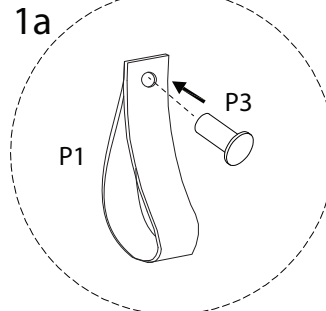
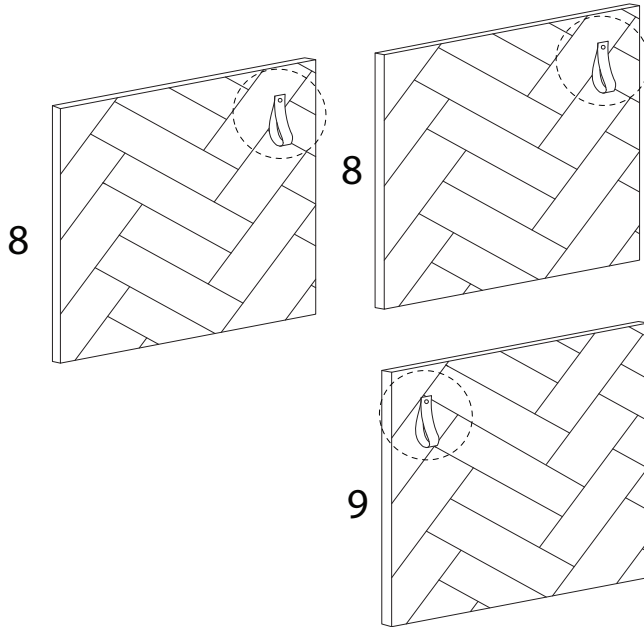
M4
x 8

x 3

P3



x 3



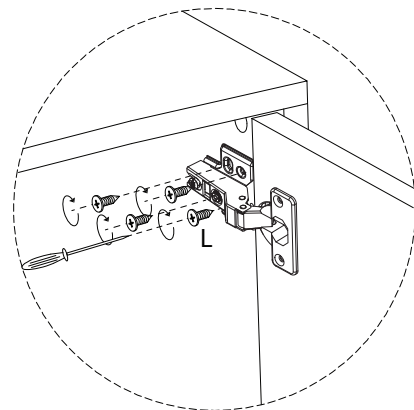
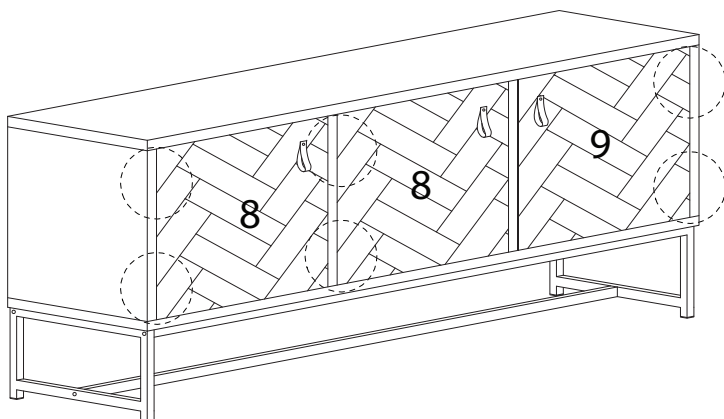
14

L

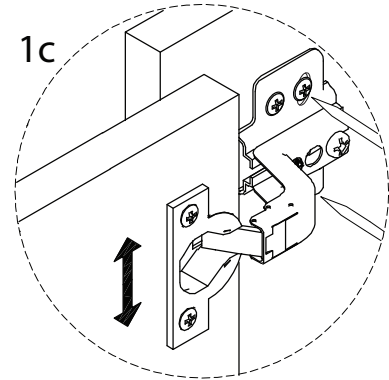
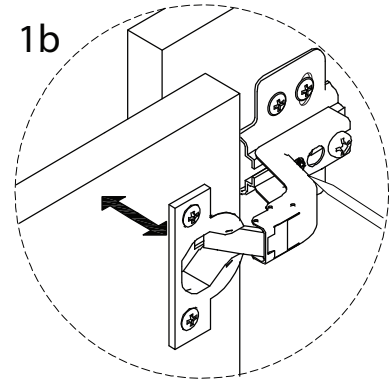
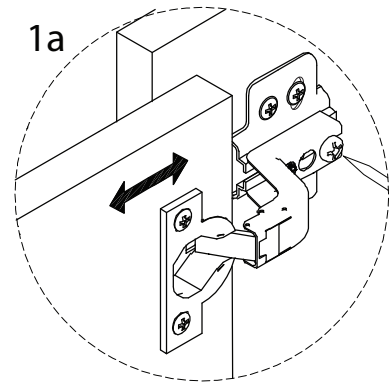
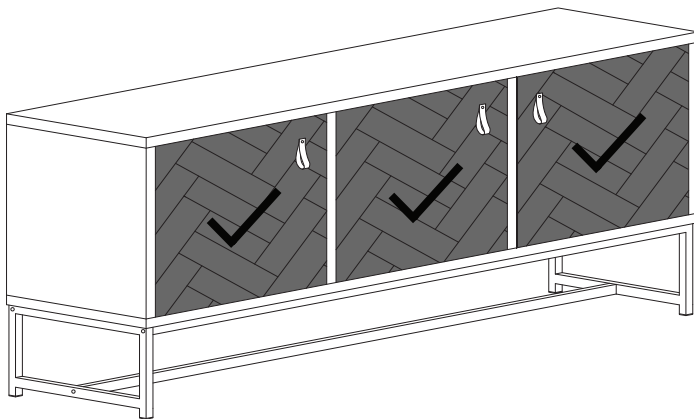
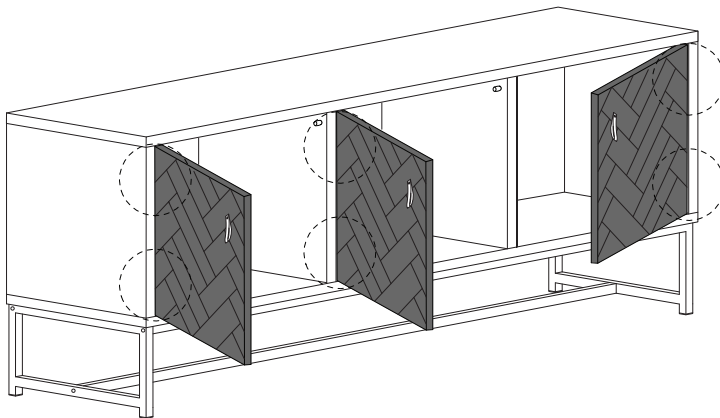
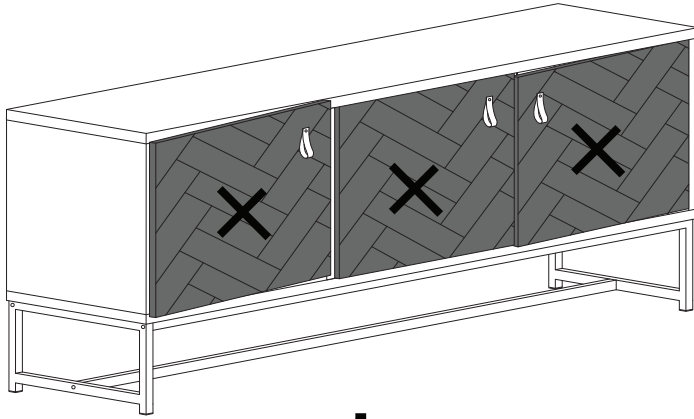


M4
x 14

x 24

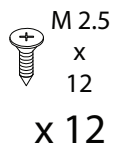


15

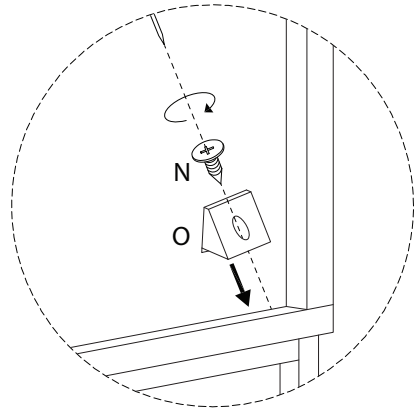
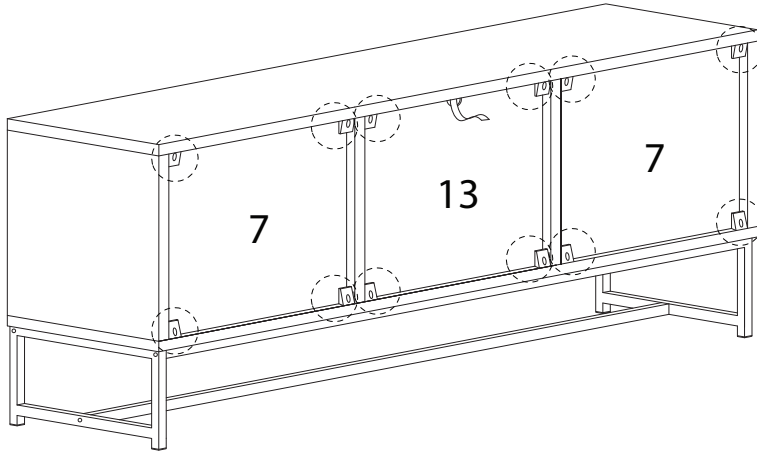


16

N



O



!

