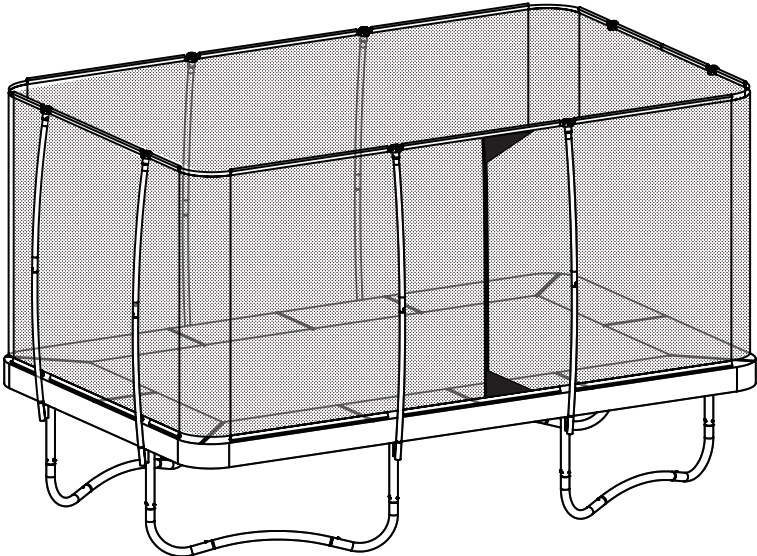




User manual
Gebrauchsanweisung
Gebruikshandleiding
Mode d'emploi
Brugermanual
Uživatelská příručka
Ghidul utilizatorului
Användarhandbok
Používateľská príručka
Guida per l'utente
Ohjekerija
Brukermanual
Manual de usuario
Manual do usuário

Peak RO



model	size	h x b x w (cm)	max user weight
13.12.15	9x15ft	296 x 275 x 458	130 kg














WARNING
CHOKING HAZARD
small parts

Adult assembly required
retain for future reference



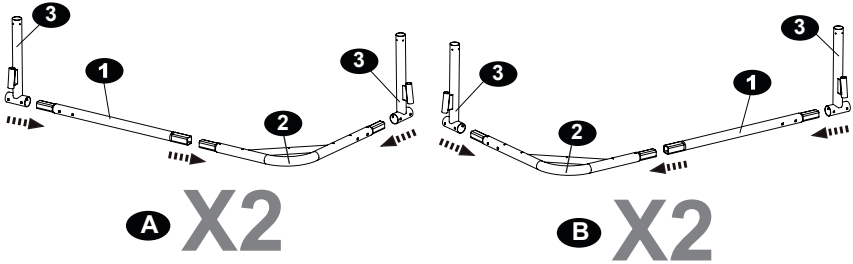


Instructions		4
English		20
Deutsch		32
Nederlands		44
Français		56
Dansk		68
Czech Republic		80
Romania		92
Sweden		104
Slovakia		116
Italian		128
Finland		140
Norwegian		152
Español		164
Portugués		176

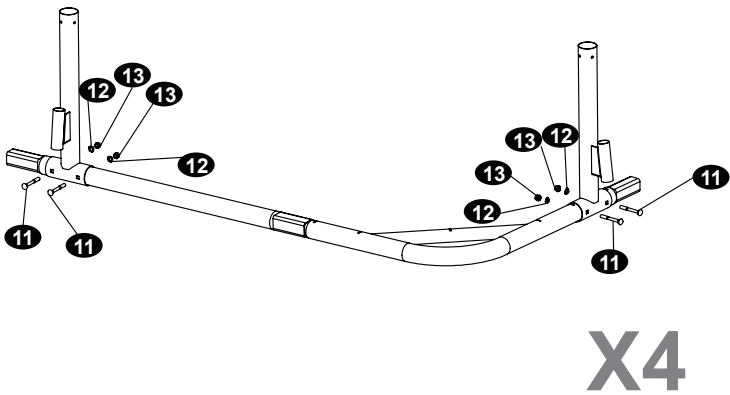
Assembly / Montage / Montage / L'assemblage/samling
Parts list / Teileliste / Onderdelenlijst / Liste des pièces/Delliste

Size	9x15ft		
Item	#	Part.Nr.	
1	4	GG26033	
2	4	HN34400	
3	8	HN34401	
4	8	GN34403	
5	4	GN34404	
6	4	GN34401	
7	76	FO52380	
8	1	FN34400	
9	4	FN34999	
10	2	FN34410	
11	16	M10X78	
12	16	M10	
13	16	M10	
14	8	ST4.8X16	
15	8	M6X70	
16	16	M6	
17	8	M6	
18	8	SN26005	
19	8	C0207000335	
20	1 set	SL40200 CE05100 CG26001	

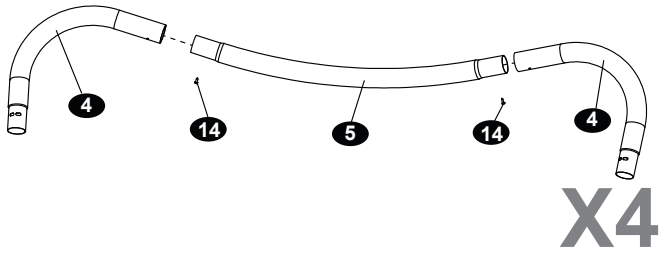
1



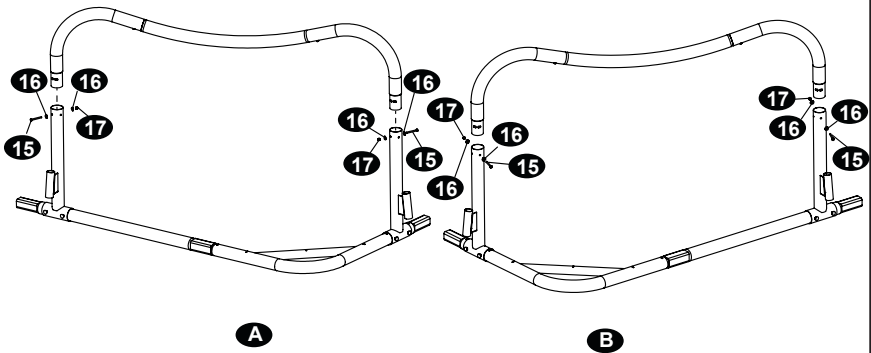
2



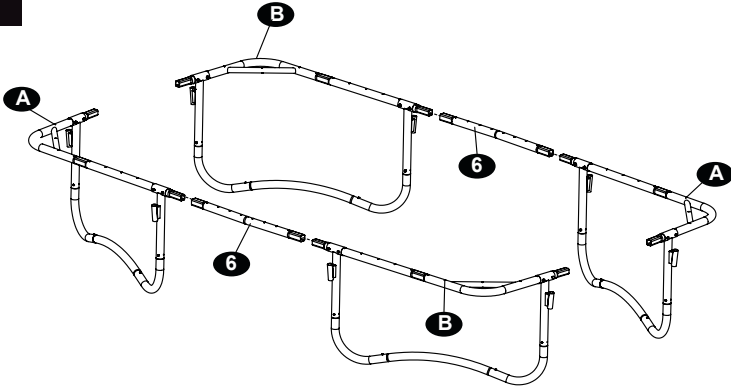
3



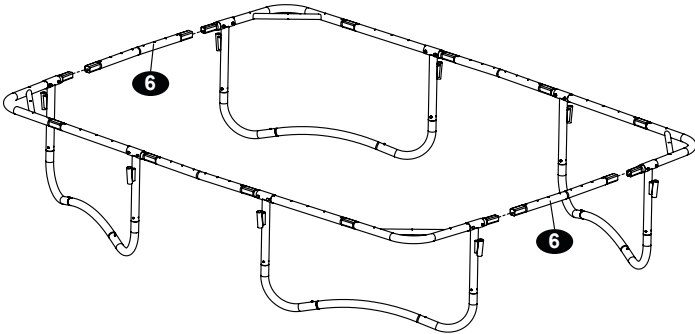
4



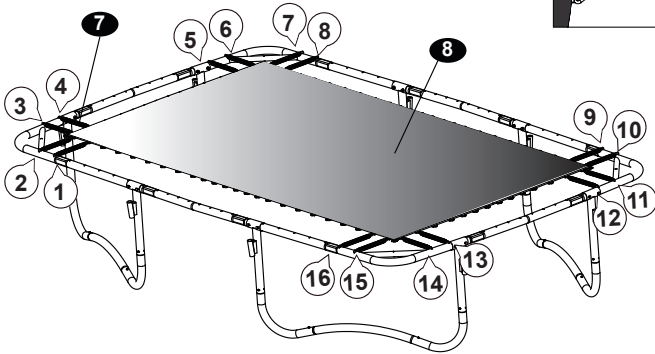
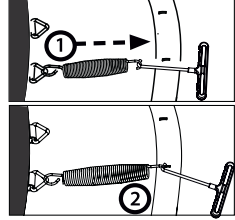
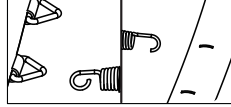
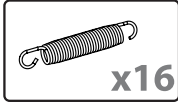
5



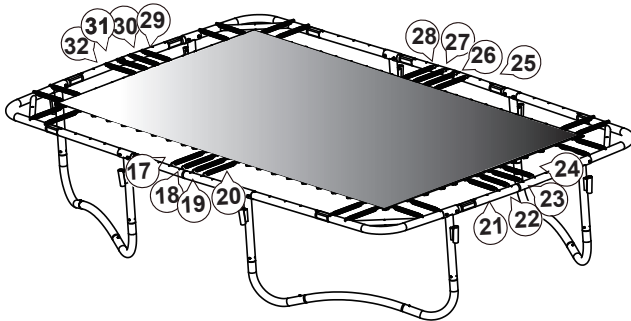
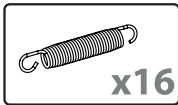
6



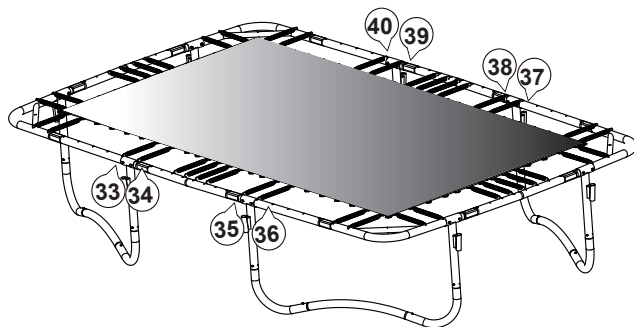
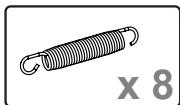
7



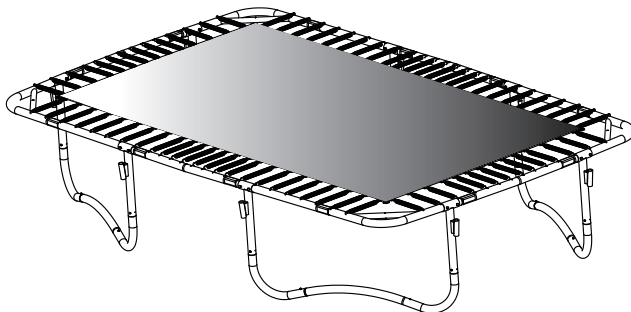
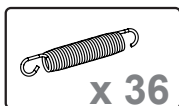
8



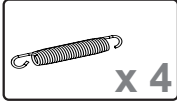
9



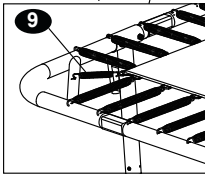
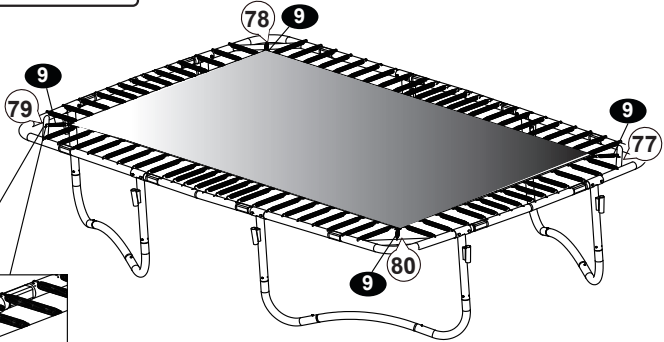
10



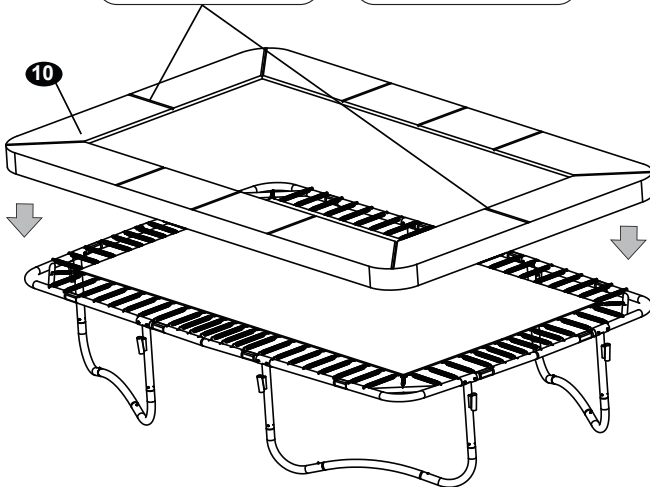
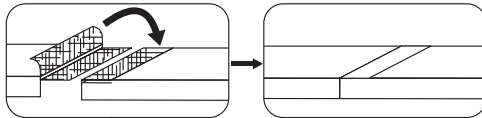
11



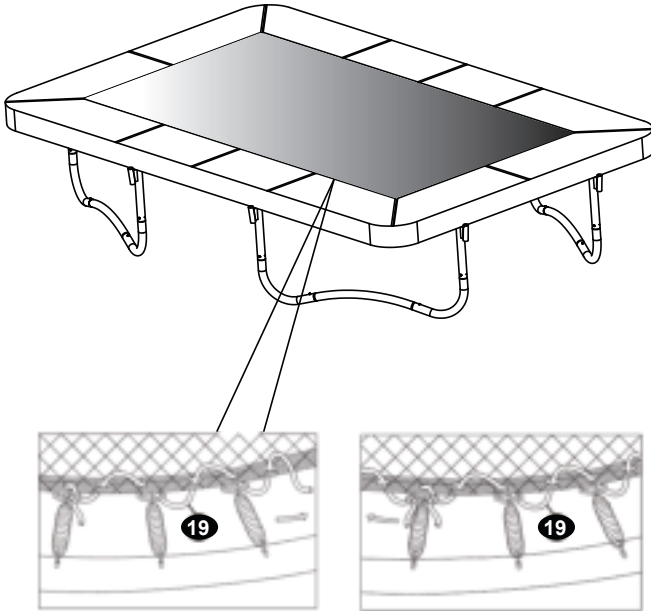
x 4



12



13

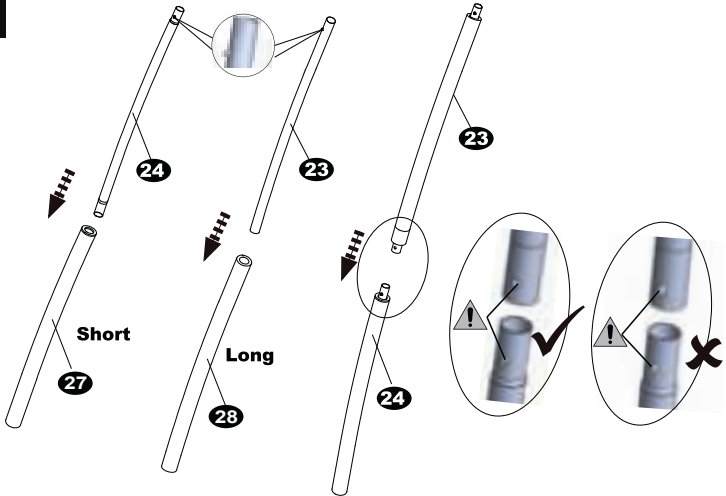


PeakPro Safetynet

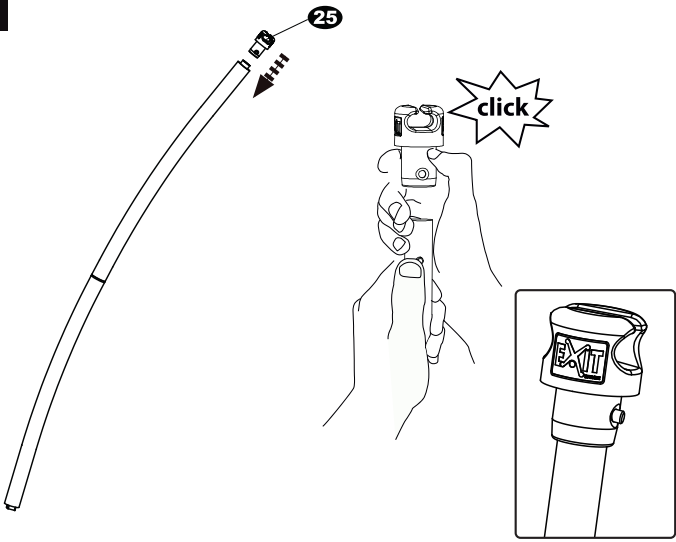
Parts list 3 / Teileliste 3 / Onderdelenlijst 3 / Liste des pièces 3 / Delliste 3

Size		9x15Ft	
Item	#	Part.Nr.	
21	8	FN52327	
22	1	FN34410	
23	8	GN35315	
24	8	GN35316	
25	8	SN35312	
26	30	FL40247	
27	8	C0505000242	
28	8	C0505000241	
29	4	GN35321	
30	2 set	HN34460	
31	2 set	HN34470	
32	8	SI40251	
33	2 set	HN34480	
34	2 set	HN34490	

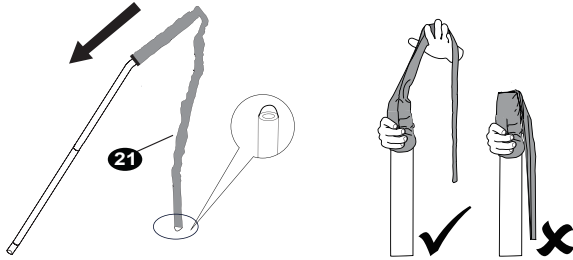
16



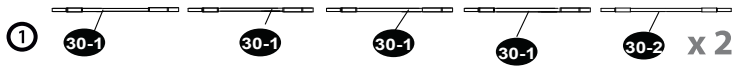
17



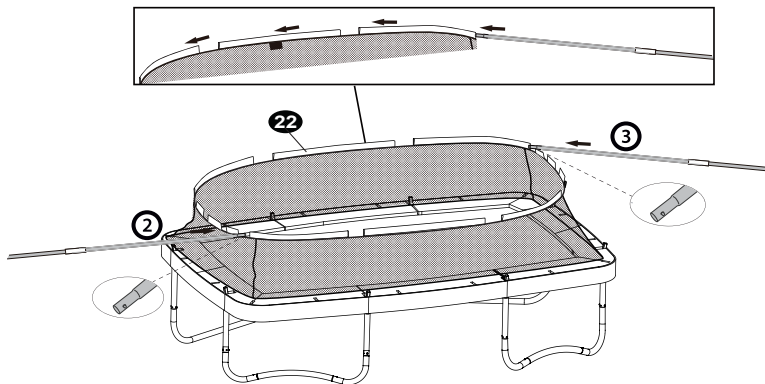
18



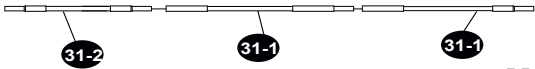
19



Long side-Top

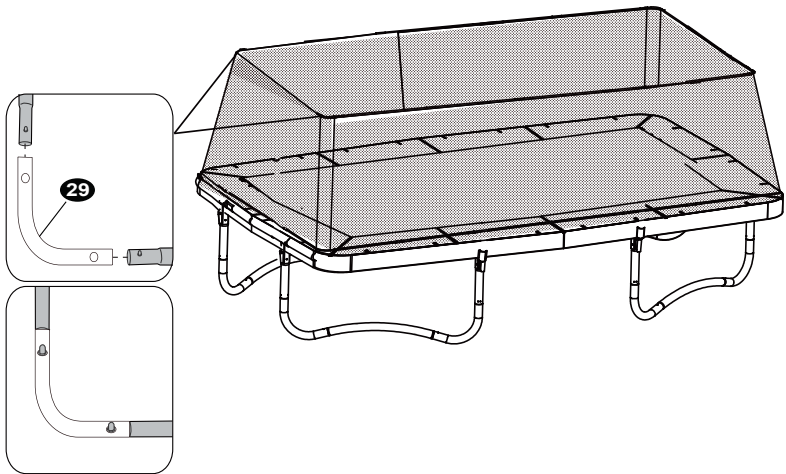
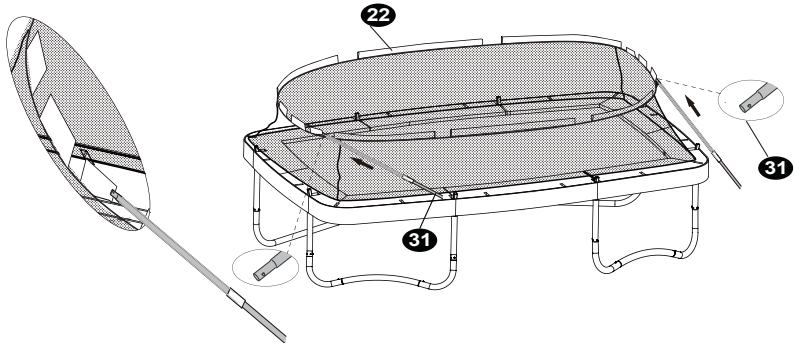


20

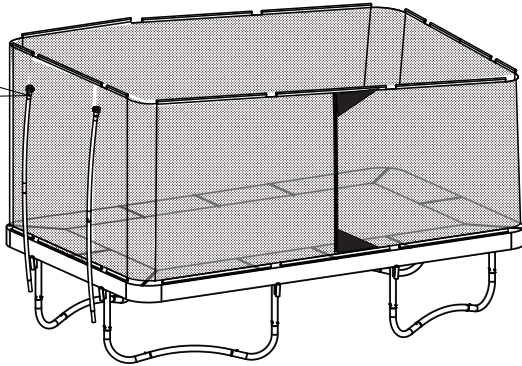
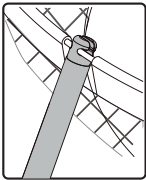
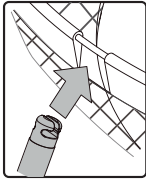


Short side-Top

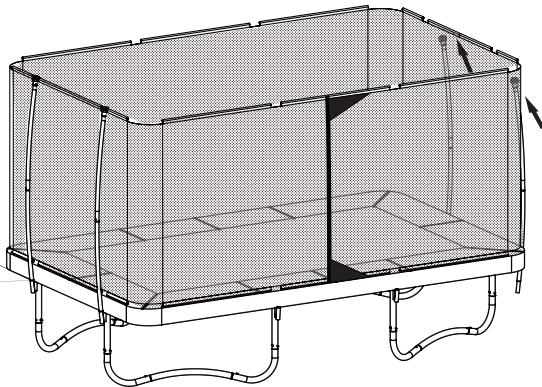
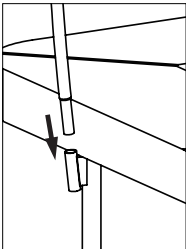
x 2



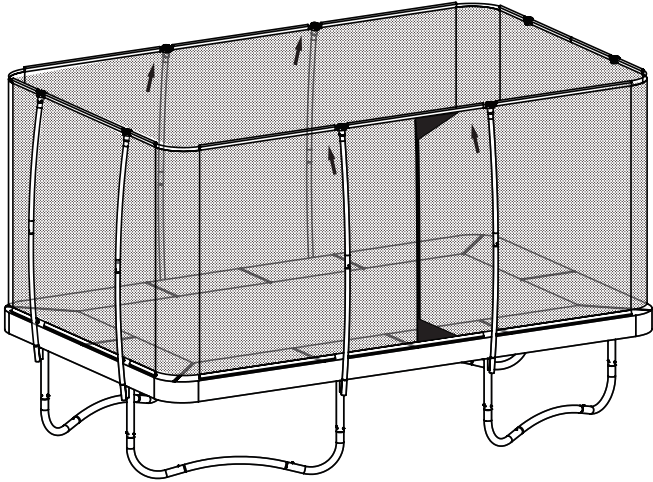
21



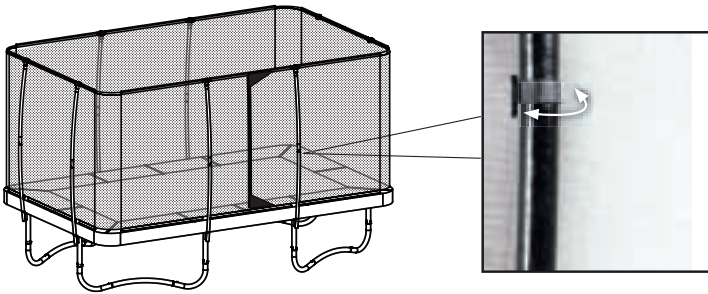
22



23

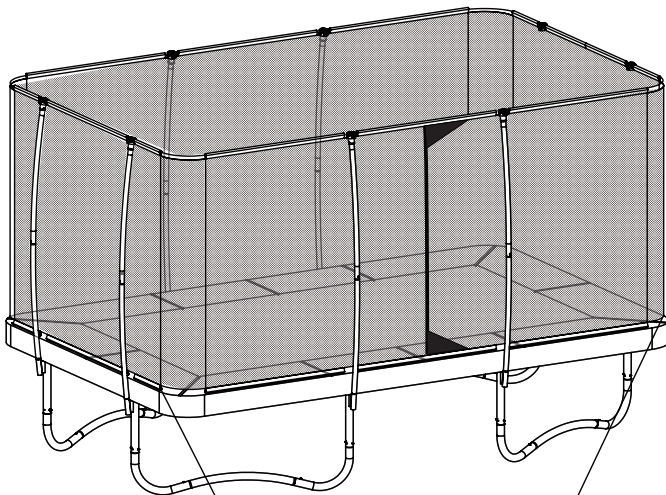
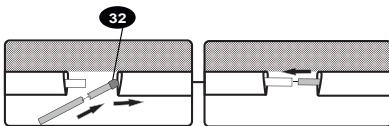
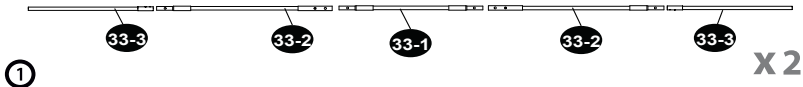


24

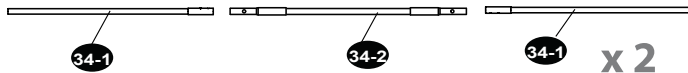
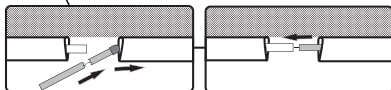


25

Long side-Lower

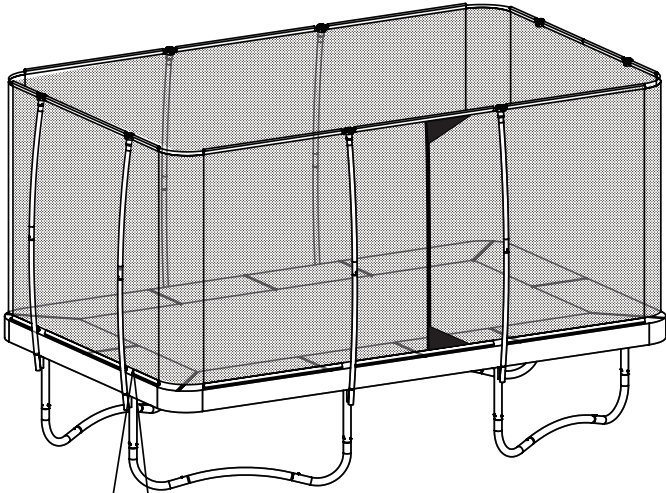


②

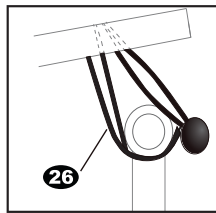


Short side-Lower

26



26



26

1.0 Introduction

Congratulations on choosing a EXIT PeakPro Trampoline!

Have fun, be active and play outdoors.....

That's what keeps driving us to develop innovative, quality toys for cool kids.

We do everything possible to develop safe products for children. As our products are classed as toys, we comply with the toughest consumer safety regulations. Before launching our products onto the market, we have independent tests carried out for certification. We also continuously test our production runs and periodically have independent tests performed again as a further check. Only products which live up to the highest EXIT Toys standard are marked with and recognized by the EXIT-brand.

"We want to thank you for your custom and your confidence in this product. We're sure your kids will have as much fun as we did during development. Being open-minded, we really appreciate all comments and ideas which will help us improve our products or develop new ones. You are invited to send your ideas to us at info@exit-toys.com"

Please visit www.exittoys.com and discover more cool new products.

The EXIT Toys team

2.0 Guidelines for safe use

Using your product as instructed in this manual will eliminate virtually all hazards. However, please bear in mind that children have a natural urge to play and that this may lead to unforeseen dangerous situations for which the manufacturer cannot be held responsible. Teach your children how to use the product and point out possible dangers to them.

Before assembling and using the product, please read and observe these main warnings:



WARNING

To avoid serious injury:



- Read and understand the manual before use.
- WARNING: For domestic and outdoor use only.
- WARNING: CHOKING HAZARD! - Small parts. Not for Children under 3 years old.
- Protect children
 - Prevent falls and strangulation - Exit through the door only, and use caution.
 - Assist young children in and out of Safety net.
- WARNING: Only one user at a time; collision hazard!
- WARNING: Do not perform summersaults or other difficult jumps!
- WARNING: Empty your pockets before use of the trampoline!
- Continuous adult supervision is required.
- Don't use the trampoline when it's wet.
- WARNING. The trampoline shall be assembled by an adult in accordance with the assembly instructions and thereafter checked before the first use.
- In case of missing or broken parts, please contact place of purchase for assistance.
- WARNING: Do not eat while jumping.
- We are not liable for any injuries that may occur when using the trampoline.
- Modifications made by the consumer to the original trampoline (e.g. the adding of an accessory) shall be carried out according to the instructions of the manufacturer.
- The trampoline is not intended to be buried into the ground.
- Max. User weight: 13.12.15.00: 130 kg

2.1 Warnings for safe use:

- **BEFORE YOU BEGIN USING YOUR TRAMPOLINE:** Read and understand the information provided in this manual. As with all physical sports and activities there is the risk of participants receiving an injury. To ensure your future enjoyment and the prevention of injury, be sure to follow appropriate safety rules and tips.
- Retain this manual for future reference; contains important information
- Always close the enclosure opening before use.
- **ALWAYS CONSULT A DOCTOR/PHYSICIAN BEFORE PERFORMING ANY KIND OF PHYSICAL ACTIVITY.**
- **ALWAYS CHECK YOUR TRAMPOLINE BEFORE USE, PAYING SPECIFIC ATTENTION TO ALL THE BOLTS, JUMP MAT AND PADS POSITION. DON'T USE IF ANY PARTS ARE MISSING OR LOOK LIKE THEY SHOW WEAR AND TEAR.**
- **ALWAYS ENSURE THAT THE TRAMPOLINE IS USED BY ONLY ONE PERSON AT A TIME.** Collision hazard.
- **ALWAYS ENSURE THAT WHENEVER THE TRAMPOLINE IS USED BY ANYONE AT ANY SKILL LEVEL THAT DO SO UNDER SUPERVISION.**
- Stop exercising immediately should you feel unwell or if you feel pain in your joints and muscles. Dizziness is a sign of fatigue and you should stop bouncing and lay down on the ground should you feel dizzy.
- When using this trampoline ensure appropriate clothing is worn, preferably sports wear and socks. **NEVER WEAR SHOES ON THE MAT.**
- Please be warned that trampoline is spring based and will allow the user to jump to a greater height than that on the ground, so please bear this in mind and ensure that you are comfortable bouncing at low heights first.
- Proper assembly, care and maintenance of product, safety tips, warnings, and proper techniques for jumping on your trampoline are included in this manual for your safety and an extended product life span. All users and supervisors should therefore familiarize themselves with these instructions. Anybody who chooses to use the trampoline must be aware of their own limitations with regards to performing skills on this trampoline.
- Trampoline should be assembled on grass or BSI approved safety matting. Shall neither be installed over concrete, asphalt or any other hard surface nor at proximity of other conflicting installations (e.g. paddling pools, swings, slides, climbing frames)
- This product is intended for home use only.
- Moving the Trampoline. If the trampoline and enclosure needs to be moved, it should be moved by two persons, kept horizontal, and lifted slightly. If necessary, the trampoline and enclosure can be taken apart for moving. To take the trampoline apart, follow the assembly steps in reverse order.

2.2 Use of the trampoline

INITIALLY, you should get accustomed to your trampoline and understand how much spring is in each bounce .The focus at this point should be body position and technique until each skill can be completed with ease and control.



- BEFORE YOU TRY TO JUMP TOO HIGH the technique for stopping should be learnt as this will help prevent injury should you feel you are jumping out of control.
- As the user lands on the bed, the knees should be bent so that they stop and absorb the spring in the mat. The position is shown in the image to the left. Arms are held out for increased level of balance.
- This skill is used when the trampoline user wishes to stop bouncing on the trampoline due to fatigue, loss of control, etc.



SOMERSAULTS (FLIPS): DO NOT PERFORM somersaults of any type (backwards or forwards) on this trampoline. If you make a mistake when trying to perform a somersault, you could land on your head or neck. This will increase your chances of your neck or back being broken, which could result in death or paralysis.



FOREIGN OBJECTS : DO NOT use the trampoline if there are pets, other people, or any objects underneath the trampoline. This will increase the chances of an injury occurring, DO NOT hold any foreign objects in your hand and DO NOT place any objects on the trampoline while in use. DO NOT place the trampoline under over-hanging objects like tree branches, wires, etc as these will increase your chances of being injured.



POOR MAINTENANCE OF TRAMPOLINE: A trampoline in poor condition will increase your risk of being injured. Please inspect the trampoline before each use for bent steel tubes, torn mat, loose or broken springs and overall stability of the trampoline.



WEATHER CONDITIONS: Warning. Do not use in strong wind conditions and secure the trampoline. Please be aware of the weather conditions when using the trampoline. Don't use the trampoline when it's wet. If it is too windy, the user could lose control.



RESTRICTING ACCESS: When the trampoline is not in use, always store the access ladder in a secure place so that unsupervised children can not play on the trampoline.

2.3 Tips to reduce the risk of accidents



In order to reduce the risk of accident the "TRAMPOLINE USER" should:

- Always remain in control of their jumps and body position at all times.
- Not attempt to perform skills that are beyond their own level of competence.
- Read and understand the jump by taking off and landing in the middle of the trampoline.
- Always control their jump by taking off and landing in the middle of the trampoline.
- Warning. Always Jump in the middle of the mat. Always jump vertically and refrain from bouncing towards the springs in any direction.
- Always consult a professionally certified trampoline instructor before attempting anything beyond basic techniques.

In order to reduce the risk of accident the "SUPERVISOR" should:

- Fully understand and enforce all the safety rules and guidelines.
- Advise the trampoline user and provide knowledge in what they are doing right and wrong to ensure the safety of trampoline user.
- Be aware and advise the trampoline user of all the safety warnings.
- Warning. Do not exit the trampoline by a jump.

IMPORTANT: If the Trampoline can not be supervised there should be a method for securing it and preventing anyone from using the product until supervision is available.

2.4 Trampoline Safety Instructions

ADVISORY PRECAUTIONS WHILST USING THE TRAMPOLINE



- Do not use trampoline if you have consumed alcohol or narcotic substances
- You should climb on and off the trampoline in a controlled and careful manner. Never jump onto or off the trampoline and never use the trampoline as a means to bounce onto or into another object.
- Always learn the basic bounce and master each type of bounce before trying more difficult types of bounces. Review the basic skills section to learn how to do the basics.
- To stop your bounce, flex your knees when you land on your feet.
- Always be in control when you are bouncing on the trampoline. A controlled jump is when you land at the same spot that you took off from. If at any time you feel out of control, stop bouncing immediately.
- Do not jump or bounce for prolonged periods of time or too high for a number of jumps. Keep your eyes on the mat to maintain control. If you do not, you could lose your balance.
- Never have more than 1 person on the trampoline at any time. Collision hazard.

ADVISORY PRECAUTIONS WHILST SUPERVISING TRAMPOLINE

IMPORTANT: Familiarise yourself with the basic jumps and safety rules .To prevent and reduce the risk of injuries, ensure that all safety rules are enforced and the new users learn the basic bounces before trying more advanced techniques .

- ALL USERS need to be supervised, regardless of skill level or age.
- Never use the trampoline when it is wet, damaged, dirty or wore out. The trampoline should be inspected before use.
- Keep all objects that could interfere during use away from the trampoline at all times. Be aware of what is overhead, underneath and around the trampoline.
- To prevent unsupervised and unauthorized use, the trampoline should be secured at all time.

2.5 Accident classification & identification



MOUNTING AND DISMOUNTING:

Be very careful when getting on and off the trampoline. DO NOT mount the trampoline by grabbing the frame pad, stepping onto the springs or by jumping onto the mat of the trampoline from an object (eg. A deck, roof, or ladder). This is considered highly dangerous. DO NOT dismount by jumping off the trampoline and landing on the ground. If small children are playing on the trampoline, they may need help in mounting and dismounting.



USE OF ALCOHOL OR DRUGS:

DO NOT consume any alcohol or take any drugs (this includes medication that could affect the users co-ordination) when using this trampoline. This is considered highly dangerous since these foreign substances impair your judgements, reaction time and overall physical co-ordination.



MULTIPLE USERS:

Only one user at a time; danger of collision!



STRIKING THE SPRING FRAME:

When playing on the trampoline, STAY in the centre of the trampoline mat. This will reduce the risk of being injured by landing on the spring frame. Always keep the frame pads covering the frame of the trampoline. DO NOT jump or step onto the frame pad directly since it is not intended to support the weight of a person.



LOSS OF CONTROL:

DO NOT try difficult maneuvers until you have mastered the basics. If you do not follow these guidelines, you increase the risk of someone being injured.

WARNING: Take a break every 10 minutes.

3.0 Trampoline techniques

Basic Skills

BASIC SKILL 1: The basic bounce



- Start from a standing position, with feet shoulder width apart head up and eyes on the trampoline bed.
- Swing arms forward and up above head in a circular motion.
- Bring legs and feet together in mid-air position and point toes.
- Land back on the mat with feet shoulder width apart (same as start position).
- Why not try moving onto the next skill once comfortable and proficient.

BASIC SKILL 2: The Knee Drop

- Start with a low basic bounce (as detailed in BASIC SKILL 1).
- Land on knees shoulder width apart, keeping back straight and a strong body position using arms out to the side or in front to maintain balance.
- Bounce back to basic bounce position by using bounce momentum and swinging arms above head.
- Once mastered at this height try bouncing a little higher, but remember to always stay in control of your height.



BASIC SKILL 3: The Seat Drop



- Start with a low basic bounce (BASIC SKILL 1) in the normal position.
- Land with legs out straight in front of you, with hands either side of your hips and back straight in a strong body position.
- Use the bounce momentum aided with a push from hands to return to a standing position.
- Once mastered at this height try bouncing a little higher, but remember to always stay in control of your height.

IMPORTANT: Please consult a trained trampoline instructor before attempting any more advanced skills to ensure highest possible safety levels are maintained.

Advanced Skills

ADVANCED SKILL 1: The basic bounce



- Start with a low basic bounce (BASIC SKILL1) in the normal position.
- Land on your hands and knees at the same time, ensure that back is horizontal to the bounce mat and hands & legs are shoulder width apart also.
- Use the momentum of bounce and push off hands to regain the standing position.
- Once mastered at this height try bouncing a little higher, but remember to always stay in control of your height.
- Try moving onto the next skill once comfortable and proficient.

ADVANCED SKILL 2: Hands and Knees to Front Drop

- Land on your hands and knees at the same time, ensure the back is horizontal to the bounce mat and hands & legs are shoulder width apart also.
- Maintain strong body position with back horizontal to mat and straighten legs behind and fold arms in front of face in mid-air ready to land on the mat in a lying down position.
- Ensure the landing is done with all of body touching the mat at same time.
- Push off hands and recover the standing position.
- Once mastered at this height try bouncing a little higher, but remember to always stay in control of your height . Trying moving onto the next skill once comfortable and proficient.



ADVANCED SKILL 3: The Front Drop



- Start with a low basic bounce (BASIC SKILL 1) in the normal position.
- Maintain strong body position with back horizontal to mat and straighten legs behind and fold arms in front of face in mid-air ready to land on the mat in a lying down position.
- Ensure the landing is done with all of body touching the mat at the same time.
- Push off hands and recover the standing position.
- Once mastered at this height try bouncing a little higher, but remember to always stay in control of your height.

IMPORTANT: Should you wish to progress any further and learn more advanced techniques for trampoline, please consult a qualified and registered instructor.

4.0 General Information

- Self-securing nuts and screws are suitable only for one time setting-up, and must be replaced after breakdown of the trampoline and/or safety net.
- The safety net has a limited durability, replace after 2 years of use.
- It is recommended to place the trampolines on a flat and level surface with at least 3 m distance to other superstructures, or barriers, e.g. fence, garage, house, tree branches, washing lines, or electrical cables.
- The trampoline shall not be placed over hard surfaces like asphalt, concrete etc.
- Exchange defective parts according to the supplier's recommendation.
- Changes to the trampoline (e.g. addition of an accessory) must be done according to the supplier's instruction.

5.0 Trampoline Assembly

STEP BY STEP CONSTRUCTION

Only assemble by adult.

To assemble this trampoline all you need is our special spring loading tool provided with this product. During periods of non-use, this trampoline can be easily disassembled and stored. Please read the assembly instructions before beginning to assemble the product.

Please refer to the table for part descriptions and numbers. The assembly instruction use these descriptions and numbers as reference .

Make sure you have all parts listed. If you are missing any parts, please contact place of purchase.

Please use gloves to protect your hands from pinch points during assembly. When you are ready to start, make sure that you have plenty of space and a clean dry area for assembly.

You can find the assembly steps in chapter 5.0 (page 124-134)

6.0 CARE AND MAINTENANCE

This trampoline was designed and manufactured with quality materials and craftsmanship. If proper care and maintenance is provided, it will provide all jumpers with years of exercise, fun, and enjoyment as well as reduce the risk of injury. Please follow the guidelines listed below:

This trampoline is designed to withhold a certain amount of weight and use. Please make sure that only one person at any one time uses the trampoline. Jumpers should either wear socks, gymnastics shoes, or be barefoot when using the trampoline. Please be aware that street shoes or tennis shoes should NOT be worn while using the trampoline. In order to prevent the trampoline mat from getting cut or damaged please do not allow any pets onto the mat. Also, jumpers should remove all sharp objects from their person prior to using the trampoline. Any type of sharp or pointed objects should be kept off the trampoline mat at all times.

Maintenance instructions

Make sure to carry out checks and maintenance of the main parts (frame, suspension system, mat, padding, and enclosure) at the beginning of each season and also at regular intervals of every 2 weeks. If these checks are not carried out, the trampoline could become dangerous!

- Make sure that the hook-and-loop fasteners are closed correctly during use of trampoline!
- It is necessary to determine whether all nuts and bolts are tight, and if necessary they are tightened;
- It shall be verified that all spring-loaded connections (locking pin) are undamaged and not move while playing;
- Any cover screws and sharp edges must be checked and replaced if necessary;
- The maintenance manual shall be kept

Always inspect the trampoline before each use for worn, abused or missing parts. A number of conditions could arise that may increase your chances of getting injured. Please be aware of:

- Punctures, holes, or tears in the trampoline mat
- Sagging trampoline mat
- Loose stitching or any kind of deterioration of the mat
- Bent or broken frame parts, such as the legs
- Broken, missing, or damaged springs
- Damaged, missing, or insecurely attached frame pad
- Protrusions of any types (especially sharp types) on the frame, springs, or mat

IF YOU FIND ANY OF THE PREVIOUS CONDITIONS, OR ANYTHING ELSE THAT YOU FEEL COULD CAUSE HARM TO ANY USER, THE TRAMPOLINE SHOULD BE DISASSEMBLED OR SECURED FROM USE UNTIL THE CONDITION(S) HAS BEEN RESOLVED.

WINDY CONDITIONS

In severe wind situations, the trampoline can be blown about. If you expect windy weather conditions, the trampoline should be moved to a sheltered area or disassembled. Another option is to tie the ground, outside portion (top frame) of the trampoline to the ground using ropes and stakes. To ensure security, at least three (3) tie downs should be used.

MOVING THE TRAMPOLINE

If you need to move the trampoline, two people should be used. All connector points should be wrapped secured with weather resistant tape, such as duct tape. This will keep the frame intact during the move and prevent the connector points from dislocating and separating. When moving, lift the trampoline slightly off the ground and keep it horizontal to the ground. For any type of other move, you should disassemble the trampoline.

WINTER

In certain countries during winter period, the snow load and the very low temperature can damage the trampoline. It is recommended to remove the snow and store the mat and the enclosure indoors.

7.0 Warranty

1. After the date of the purchase invoice, the owner of the EXIT PeakPro trampoline has a:
 - 10-year warranty on the breaking of the frame
 - 5-year warranty on the springs
 - 2-year warranty on the protective surround pad and the jump mat.
 - 2 year warranty on the tearing of the net
2. The warranty applies only to the material and construction defects with respect to this product or its components.
3. The warranty becomes defunct if:
 - This product is used incorrectly and/or carelessly and is used in such a way that it does not comply with its purpose.
 - This product is not assembled and maintained according to the instruction booklet.
 - Technical repairs to this product are not carried out professionally.
 - Parts, which are mounted afterwards, do not comply with the technical specifications of the product concerned or are mounted incorrectly.
 - Defects are a result of climatic influences such as corrosion, UV rays or normal disintegration.
 - The product is rented out or was made available to various unspecified persons in any other manner.
4. EXIT Toys will repair or replace according to its choice all material and construction defects that have been ascertained by EXIT Toys during the warranty period.
5. The owner of the EXIT Toys Trampoline is only entitled to the warranty by presenting the product for inspection at a EXIT Toys dealer. It should be handed to the EXIT Toys dealer, accompanied by the original purchase invoice.
6. In case of material and construction defects that have been ascertained by EXIT Toys, the product or its components will be repaired or replaced – according to its choice – free of charge during the warranty period mentioned in Article 1.
7. If the claim for warranty is not justifiable, all the costs are at the expense of the owner.
8. This warranty cannot be transferred to third parties.
9. The trampoline is designed for personal use. It is not permitted to rent out or place the trampoline in public areas like schools or day-care centres. The guarantee and any other liabilities shall expire if the playhouse is rented out or used in public areas.

1.0 Einführung

Glückwunsch zur Wahl des EXIT PeakPro!

Amüsier dich, sei aktiv und spiele im Freien!

Für diesen Spaß entwickeln wir innovative und hochwertige Spielzeuge für coole Kids.

Wir tun alles in unserer Macht stehende, um sichere Produkte für Kinder zu entwickeln. Da unsere Produkte als Spielzeuge klassifiziert werden, erfüllen wir die strengsten Sicherheitsvorschriften. Bevor unsere Produkte auf dem Markt kommen, veranlassen wir die Durchführung von unabhängigen Prüfungen zur Zertifizierung. Außerdem kontrollieren wir selbst ständig unsere Produktionsabläufe und lassen diese als weitere Kontrolle regelmäßig durch unabhängige Stellen überprüfen. Nur Produkte, die den höchsten EXIT Toys Standards gerecht werden, werden mit dem EXIT Toys label gekennzeichnet.

Wir danken Ihnen für Ihr Vertrauen in dieses Produkt. Und wir sind sicher, dass Ihre Kinder genau viel Spaß haben werden wie wir ihn während der Entwicklung hatten. Da wir aufgeschlossen sind, schätzen wir wirklich all Ihre Kommentare und Ideen, die uns bei der Verbesserung unserer Produkte bzw. bei der Entwicklung neuer Spielzeuge helfen. Sie sind herzlich eingeladen, uns Ihre Ideen unter info@exittoys.com zu senden.

Besuchen Sie www.exittoys.com und entdecken Sie weitere tolle neue Produkte.

Das EXIT Toys Team

2.0 Richtlinien für einen sicheren Gebrauch

Wenn das Trampolin entsprechend dieser Anleitung verwendet wird, sind praktisch alle Gefahren ausgeschlossen. Bedenken Sie allerdings, dass Kinder einen natürlichen Spieltrieb haben und dass dies zu unvorhergesehenen gefährlichen Situationen führen kann, für die der Hersteller nicht haftbar gemacht werden kann. Weisen Sie Ihre Kinder in die sichere Verwendung des Produkts ein und auf mögliche Gefahren hin.

Lesen Sie vor dem Zusammenbau und der Verwendung des Produkts die folgenden wichtigen Warnhinweise durch und befolgen Sie diese:



WARNUNG Zur Vermeidung von schweren Verletzungen:



- Vor Gebrauch müssen Sie die Bedienungsanleitung gelesen und verstanden haben.
- Achtung! Dieses Produkt ist nur für den häuslichen Gebrauch und Gebrauch im Freien bestimmt.
- Achtung! ERSTICKUNGSGEFAHR! - Kleinteile. Nicht für Kinder unter 3 Jahren geeignet.
- Kinder schützen
 - Verhindern Sie Stürze und Strangulation - Verlassen Sie das Sicherheitsnetz nur durch die Tür; seien Sie dabei vorsichtig.
 - Helfen Sie kleineren Kindern in das Safety Net hinein- und hinauszukommen.
- Achtung! Nur ein Benutzer auf dem Trampolin. Kollisionsgefahr.
- Achtung! Keine Saltos oder andere schwierige Sprünge durchführen!
- Das Trampolin ist nicht dazu bestimmt, in den Boden eingegraben werden.
- Achtung! Vor Verwendung des Trampolins die (Hosen-)Taschen leeren!
- Das Trampolin muss von einem Erwachsenen gemäß der Montageanleitung montiert werden und danach vor dem ersten Gebrauch überprüft werden.
- Benutzen Sie niemals das Trampolin, wenn es nass ist.
- Achtung! Essen Sie nicht beim Springen.
- Nur unter Aufsicht eines Erwachsenen verwenden.
- Falls Teile nicht mitgeliefert wurden oder fehlerhaft sind, wenden Sie sich bitte an Ihre Verkaufsstelle.
- Änderungen durch den Verbraucher zu der ursprünglichen Trampolin (zB das Hinzufügen von Zubehör) müssen nach den Anweisungen des Herstellers durchgeführt werden.
- Achtung: Wir können nicht haftbar gemacht werden für Verletzungen die während des Gebrauchs des Trampolins auftreten können.
- Max. Belastungsgewicht: 13.12.15.00: 130 kg

2.1 Warnhinweise zur Sicherheit:

- **BEVOR SIE IHR TRAMPOLIN IN GEBRAUCH NEHMEN:** Sie müssen diese Gebrauchsanweisung vollständig lesen und verstehen. Wie bei allen Körpersportarten und Aktivitäten trägt der Ausübende das Verletzungsrisiko. Um Ihre künftige Freude am Gerät sicherzustellen und auch, um Verletzungen vorzubeugen, befolgen Sie die Sicherheitsbestimmungen und -tipps.
- Bewahren Sie diese Anleitung zum späteren Nachschlagen auf; enthält wichtige Informationen.
- Schließen Sie das Sicherheitsnetz jedes Mal, bevor das Trampolin im Betrieb genommen wird.
- **SUCHEN SIE IMMER EINEN ARZT AUF, BEVOR SIE JEDLICHE ART VON KÖRPERLICHER ANSTRENGUNG DURCHFÜHREN.**
- **PRÜFEN SIE IHR TRAMPOLIN VOR JEDEM GEBRAUCH. ACHTEN SIE DABEI BESONDERS AUF ALLE BOLZEN, DAS SPRUNGTUCH UND DIE POSITION DER MATTEN. BENUTZEN SIE DAS TRAMPOLIN NICHT, WENN TEILE FEHLEN ODER ANZEICHEN VON ABNUTZUNG SICHTBAR SIND.**
- Achtung! Nur ein Benutzer auf dem Trampolin. Kollisionsgefahr.
- **STELLEN SIE STETS SICHER, DASS DAS TRAMPOLIN IMMER NUR UNTER AUFSICHT VERWENDET WIRD, GLEICHGÜLTIG VON ERFAHRUNG ODER FÄHIGKEITEN**
- Unterbrechen Sie Ihre Übungen sofort, falls Sie sich unwohl fühlen oder Schmerzen in den Gelenken und Muskeln verspüren. Schwindel ist ein Zeichen von Müdigkeit und Sie sollten mit dem Springen aufhören und sich auf den Boden legen, wenn Ihnen schwindlig ist.
- Sie dürfen dieses Trampolin nur mit geeigneter Kleidung gebrauchen, vorzugsweise Sportkleidung und -socken. **TRAGEN SIE NIEMALS SCHUHE AUF DER MATTE.**
- Seien Sie sich bewusst, dass das Trampolin mit Federn versehen ist und der Anwender dadurch größere Höhen springen kann, als die Höhe zum Boden beträgt. Vergessen Sie das niemals und üben Sie das Springen zu Beginn erst mit kleinen Sprüngen, bis Sie sich dabei wohlfühlen.
- Ordnungsgemäßer Zusammenbau, Pflege und Wartung dieses Produkts, Sicherheitshinweise und -warnungen, sowie die richtigen Sprungtechniken sind Teil dieser Anleitung und zu Ihrer Sicherheit und einer langen Lebensdauer Ihres Trampolins gedacht. Alle Verwender und Aufsichtspersonen sollten sich aus diesem Grund mit diesen Anleitungen vertraut machen. Jeder, der das Trampolin gebraucht, muss sich seinen eigenen Einschränkungen bewusst sein in Bezug auf seine Fähigkeiten in der Anwendung dieses Trampolins.
- Das Trampolin sollte auf Gras oder auf einer von BSI freigegebenen Sicherheitsmatte aufgebaut werden. Das Trampolin nicht auf Beton, Asphalt oder auf ähnlich harter Oberfläche aufzustellen, und kollidierenden Einrichtungen in die Nähe (z. B. Planschbecken, Schaukeln, Rutschen, Klettergerüsten) müssen vermieden werden;
- Dieses Produkt ist nur für den häuslichen Gebrauch bestimmt.
- **BEWEGEN DES TRAMPOLINS.** Zum Bewegen des Trampolins sind 2 Personen benötigt werden. Heben Sie das Trampolin zum Umstellen leicht vom Boden an und halten Sie es horizontal zum Boden. Um das Trampolin auf eine andere Weise umzustellen, müssen Sie es auseinanderbauen. Zur Demontage benutzen Sie die Aufbauanleitung in umgekehrter Reihenfolge.

2.2 ERSTMALIGE VERWENDUNG DES TRAMPOLINS

Sie sollten sich mit Ihrem Trampolin vertraut machen und verstehen, wie viel Kraft in jedem Sprung stecken kann. Ihr Hauptmerkmal sollte zuerst Ihre Körperhaltung und Technik sein, bis jede Übung mit Leichtigkeit und kontrolliert durchgeführt werden kann.



- **BEVOR SIE ZU HOCH SPRINGEN** Das Stoppen sollte beherrscht werden, da es Verletzungen verhindern kann, sollten Sie das Gefühl haben unkontrolliert zu springen.
- Wenn der Springende auf dem Tuch aufkommt, sollten die Knie gebeugt sein, so dass sie den Sprung abfangen. Die Position wird auf dem Bild links angezeigt. Arme für zusätzliches Gleichgewicht auseinanderhalten.
- Diese Übung wird verwendet, wenn der Trampolin-Benutzer das Springen aufgrund von Müdigkeit, Kontrollverlust, etc. einstellen will.



PURZELBÄUME (FLIPS): NIEMALS irgendwelche Purzelbäume (weder rückwärts noch vorwärts) auf diesem Trampolin durchführen. Bei einem Fehler bei der Durchführung eines Purzelbaums, könnten Sie auf den Kopf oder den Hals fallen. Das erhöht Ihr Risiko einer Hals- oder Rückenverletzung und könnte zum Tod oder zur Lähmung führen.



FREMDE OBJEKTE: NIEMALS das Trampolin benutzen, wenn sich Tiere, andere Menschen oder Objekte unter dem Trampolin befinden. Dies erhöht die Verletzungsgefahr. Halten Sie keine fremden Gegenstände in Ihrer Hand und legen Sie **KEINE** Objekte auf das Trampolin während Sie es benutzen. Stellen Sie das Trampolin **NICHT** unter überhängenden Objekten auf, wie Baumzweige, Drähte, etc. da dies die Verletzungsgefahr erhöht.



A SCHLECHTE WARTUNG DES TRAMPOLINS: Ein Trampolin in schlechtem Zustand erhöht die Verletzungsgefahr. Bitte untersuchen Sie das Trampolin vor jedem Gebrauch auf verbogene Stahlrohre, zerrissene Matten, lockere oder gebrochene Federn und prüfen Sie die allgemeine Stabilität.



WETTERBEDINGUNGEN: Achtung! Bei Starkwindbedingungen das Trampolin sichern und nicht benutzen. Bitte beachten Sie die Wetterbedingungen, wenn Sie das Trampolin benutzen. Benutzen Sie niemals das Trampolin, wenn es nass ist. Ist es zu windig, könnte der Anwender die Kontrolle verlieren.



BESCHRÄNKTER ZUGRIFF: Wenn das Trampolin nicht verwendet wird, verstauen Sie die Zugangsleiter immer an einem sicheren Ort, damit unbeaufsichtigte Kindern nicht auf dem Trampolin spielen können.

2.3 TIPPS UM DIE UNFALLGEFAHR ZU REDUZIEREN



Um die Unfallgefahr zu reduzieren, sollten Sie, der "TRAMPOLIN-USER":

- Immer Kontrolle über Ihre Sprünge und Körperhaltung haben.
- Keine Übung durchführen, die über Ihr Können hinausgeht.
- Den Sprung verstehen, bevor Sie ihn auf der Matte durchführen und in der Mitte des Trampolins aufkommen.
- Achtung. Immer in die Mitte der Sprungmatte springen. Immer vertikal springen und vermeiden, auf die Federn zu springen.
- Immer einen ausgebildeten Trampolin-Lehrer befragen, bevor Sie weiterführende Übungen versuchen.

Um das Unfallrisiko zu senken, sollte der "SUPERVISOR":

- Alle Sicherheitsregeln und -Richtlinien vollständig verstehen und diese auch durchsetzen.
- Den Trampolin-User über dessen Wissen in Bezug auf das Trampolin befragen, um dessen Sicherheit zu gewährleisten.
- Aufmerksam sein und den Trampolin-User auf alle Sicherheitswarnungen hinweisen.
- Achtung! Das Trampolin nicht mit einem Sprung verlassen.

WICHTIG: Wenn das Trampolin nicht überwacht werden kann, sollte es eine Methode zur Sicherung geben, damit niemand es verwendet, bevor Überwachung gegeben ist.

2.4 SICHERHEITSANWEISUNGEN

VORSICHTSMASSNAHMEN FÜR DEN GEBRAUCH DES TRAMPOLINS



- Benutzen Sie das Trampolin nicht, wenn Sie Alkohol oder Drogen zu sich genommen haben.
- Sie sollten immer vorsichtig und kontrolliert auf das Trampolin hinauf- und hinabklettern. Springen Sie niemals auf oder ab und verwenden Sie das Trampolin niemals, um auf oder in andere Objekte zu springen.
- Lernen Sie immer den Grundsprung und beherrschen Sie jede Art von Sprung, bevor Sie sich an schwierigere Sprünge versuchen. Wiederholen Sie den Abschnitt zu den Grundsprüngen um diese zu erlernen.
- Um den Sprung zu unterbrechen, gehen Sie in die Knie, wenn Sie auf Ihren Füßen aufkommen.
- Springen Sie immer kontrolliert auf dem Trampolin. Bei einem kontrollierten Sprung landen Sie auf der gleichen Stelle, wie Sie abgesprungen sind. Wenn Sie jemals das Gefühl haben, keine Kontrolle zu haben, brechen Sie den Sprung sofort ab.
- Springen oder hüpfen Sie nicht übermäßig lange oder zu hoch. Halten Sie Ihre Augen auf der Matte, um die Kontrolle zu behalten. Wenn nicht, könnten Sie Ihr Gleichgewicht verlieren.
- Achtung! Nur ein Benutzer auf dem Trampolin. Kollisionsgefahr.

SICHERHEITSMASSNAHMEN ZUR ÜBERWACHUNG DES TRAMPOLINS

- **WICHTIG:** Machen Sie sich vertraut mit den Grundsprüngen und Sicherheitsregeln. Um die Risikogefahr zu reduzieren, stellen Sie sicher, dass alle Sicherheitsregeln befolgt werden und dass neue Anwender die Grundsprünge lernen, bevor sie fortgeschrittene Techniken anwenden.
- **ALLE USER** müssen beaufsichtigt werden, gleichgültig wie geübt oder wie alt sie sind.
- Benutzen Sie niemals das Trampolin, wenn es nass, beschädigt, schmutzig oder abgenutzt ist. Das Trampolin sollte vor jeder Verwendung überprüft werden.
- Halten Sie alle Gegenstände, die die Benutzung des Trampolins stören könnten, immer davon fern. Achten Sie darauf, was über, unter und um das Trampolin herum ist.
- Um unbeaufsichtigte oder nicht-autorisierte Benutzung zu vermeiden, sollte das Trampolin immer gesichert sein.

2.5 UNFALL KLASSIFIZIERUNG & IDENTIFIKATION



EIN- UND AUSSTEIGEN:

Seien Sie sehr vorsichtig, wenn Sie das Trampolin betreten oder verlassen. Steigen Sie NICHT auf das Trampolin, indem Sie sich an der Matte festhalten, auf die Federn steigen oder von einem anderen Gegenstand auf die Matte springen (z.B. einer Terrasse, Decke oder Leiter). Dies ist extrem gefährlich. Springen Sie NICHT vom Trampolin herunter auf den Boden. Kleine Kinder auf dem Trampolin könnten Hilfe brauchen, wenn sie auf das Trampolin klettern oder es verlassen wollen.



KONSUM VON ALKOHOL ODER DROGEN:

Konsumieren Sie KEINEN Alkohol oder Drogen (einschließlich Medikamente, die die Koordination beeinflussen können), wenn Sie das Trampolin verwenden. Dies ist extrem gefährlich, da Fremdstoffe Ihr Urteilsvermögen, Ihre Reaktionszeit und die allgemeine körperliche Koordination beeinflussen können.



MEHRERE USER:

Es darf nie mehr als 1 Person gleichzeitig auf dem Trampolin sein.



DEN SPRUNGRAHMEN BERÜHREN:

Wenn Sie sich auf dem Trampolin bewegen, BLEIBEN Sie in der Mitte der Matte. Das senkt das Verletzungsrisiko bei Landung auf dem Sprungrahmen. Lassen Sie immer die Rahmenabdeckung auf dem Trampolin. Springen Sie nicht auf den Sprungrahmen und stellen Sie sich nicht direkt darauf, denn er ist nicht auf das Gewicht einer Person ausgelegt.



KONTROLLVERLUST:

Versuchen Sie KEINE schwierigen Übungen, bis Sie die Grundsprünge beherrschen. Wenn Sie diese Richtlinien nicht befolgen, erhöhen Sie die Verletzungsgefahr.

Achtung! Alle 10 Minuten eine Pause machen.

3.0 TRAMPOLIN TECHNIKEN

GRUNDÜBUNGEN

GRUNDÜBUNG 1: Der Grundsprung



- Aus der stehenden Position heraus, Füße schulterweit auseinander, Kopf hoch und Augen auf das Trampolin gerichtet.
- Arme vorwärts und über dem Kopf kreisförmig schwingen.
- Beine und Füße "Mit-Luft" zusammenbringen und Zehen strecken.
- Auf der Matte landen mit Füßen schulterweit auseinander (wie Ausgangsposition).
- Wenn man sich mit der Durchführung wohlfühlt und sie beherrscht, kann man mit dem nächsten Sprung weitermachen.

GRUNDÜBUNG 2: Der Kniefall

- Beginnen Sie mit einem tiefen Grundsprung, wie oben beschrieben.
- Landen Sie auf den Knien, die schulterweit auseinander sind, Rücken gerade halten und eine starke Körperposition einnehmen, dabei Arme zur Seite oder nach vorne, um das Gleichgewicht zu halten.
- Springen Sie zurück in die Grundsprung-Position indem Sie den Sprung-Moment verwenden und die Arme über dem Kopf schwingen.
- Wenn Sie das auf dieser Höhe beherrschen, versuchen Sie etwas höher zu springen, aber vergessen Sie nicht, Ihre Höhe immer zu kontrollieren.



GRUNDÜBUNG 3: Der Po-Fall



- Beginnen Sie mit einem tiefen Grundsprung (GRUNDÜBUNG 1) in der Grundposition.
- Landen Sie mit den Beinen vor Ihnen, dabei Hände an Ihre Hüften und eine starke Körperposition einnehmen.
- Zusammen mit dem Sprung-Moment, drücken Sie mit den Händen nach oben, um in die stehende Position zu gelangen.
- Wenn Sie das auf dieser Höhe beherrschen, versuchen Sie etwas höher zu springen, aber vergessen Sie nicht, Ihre Höhe immer zu kontrollieren.

WICHTIG: Bitte fragen Sie einen ausgebildeten Trampolin-Lehrer, bevor Sie schwierigere Übungen versuchen, um sicherzustellen, dass das größtmögliche Sicherheitsniveau immer noch gewährleistet ist.

TRAMPOLIN TECHNIKEN: FORTGESCHRITTENE ÜBUNGEN

FORTGESCHRITTENE ÜBUNG 1: Der Grundsprung



- Beginnen Sie mit einem tiefen Grundsprung (GRUNDÜBUNG 1) aus der Grundposition heraus.
- Landen Sie gleichzeitig auf Händen und Knien, wobei der Rücken horizontal zum Sprungtuch sein muss und Hände und Beine schulterweit auseinander sein müssen.
- Zusammen mit dem Sprung-Moment, drücken Sie mit den Händen nach oben, um in die stehende Position zu gelangen.
- Wenn Sie das auf dieser Höhe beherrschen, versuchen Sie etwas höher zu springen, aber vergessen Sie Ihre Höhe nicht, immer zu kontrollieren.
- Wenn man sich bei der Durchführung wohlfühlt und sie beherrscht, kann man mit dem nächsten Sprung weitermachen

FORTGESCHRITTENE ÜBUNG 2: Hände und Knie auf Vorwärts-Fall

- Landen Sie gleichzeitig auf Händen und Knien, wobei der Rücken horizontal zum Sprungtuch sein muss und Hände und Beine schulterweit auseinander sein müssen.
- Mit starker Körperposition und Rücken horizontal zur Matte, gestreckte Beine hinten, kreuzen Sie die Arme "Mit-Luft" vor dem Gesicht, bereit, um in einer liegenden Position auf der Matte zu landen.
- Bei der Landung müssen alle Körperteile die Matte gleichzeitig berühren.
- Drücken Sie sich mit den Händen hoch und kommen Sie zum Stehen.
- Wenn Sie das auf dieser Höhe beherrschen, versuchen Sie etwas höher zu springen, aber vergessen Sie Ihre Höhe nicht. Wenn man sich bei der Durchführung wohlfühlt und sie beherrscht, kann man mit dem nächsten Sprung weitermachen.



FORTGESCHRITTENE ÜBUNG 3: Der Vorwärts-Fall



- Beginnen Sie mit einem tiefen Grundsprung (GRUNDÜBUNG 1) aus der Grundposition heraus.
- Mit starker Körperposition und Rücken horizontal zur Matte, gestreckten Beinen hinten, kreuzen Sie die Arme "Mit-Luft" vor dem Gesicht, bereit, um in einer liegenden Position auf der Matte zu landen.
- Bei der Landung müssen alle Körperteile die Matte gleichzeitig berühren.
- Drücken Sie sich mit den Händen hoch und kommen Sie zum Stehen.

WICHTIG: Wenn Sie weitere Fortschritte machen wollen und noch weiter fortgeschrittene Sprünge erlernen wollen, dann wenden Sie sich bitte an einen ausgebildeten Lehrer

4.0 Allgemeine Informationen

- Das Trampolin braucht im Winter nicht abgebaut werden.
- Die selbstsichernden Muttern und Schrauben können nur einmal verwendet werden und sind nach dem Abbau des Trampolins und/oder des Sicherheitsnetzes zu ersetzen.
- Das Sicherheitsnetz sollte jedes zweite Jahr erneuert werden.
- Trampoline auf einer geraden Fläche mit einer Entfernung von mindestens 3 Metern zu anderen Gebäuden oder Hindernissen aufstellen, wie beispielsweise Zäunen, Garagen, Häusern, Zweige von Bäumen, Wäscheleinen oder Stromkabeln.
- Das Trampolin nicht auf eine harte Oberfläche stellen, wie Asphalt oder Beton etc.
- Defekte Teile immer entsprechend der Herstellerempfehlung auswechseln.
- Änderungen am Trampolin (z. B. die Verwendung von Zubehör) dürfen nur gemäß Herstellerempfehlungen vorgenommen werden.

5.0 TRAMPOLIN ZUSAMMENBAU

ZUSAMMENBAU - SCHRITT FÜR SCHRITT

Nur von Erwachsenen zusammenbauen lassen.

Zum Zusammenbau dieses Trampolins brauchen Sie nur unser beiliegendes Spezial-Federspannwerkzeug. Wird es nicht benutzt, kann dieses Trampolin ganz einfach auseinandergebaut und eingelagert werden.

Bitte lesen Sie die Anleitung genau durch, bevor Sie mit der Montage beginnen.

Die Tabelle beinhaltet die Teilebeschreibung und Teilenummern. In dieser Anleitung werden diese Beschreibungen und Nummern als Referenz verwendet.

Stellen Sie sicher, dass Sie alle aufgeführten Teile haben. Falls Teile fehlen sollten, so nehmen Sie bitte Kontakt mit der Verkaufsstelle auf.

Bitte benutzen Sie Handschuhe um zu vermeiden, dass Ihre Hände während des Aufbaus eingeklemmt werden. Wenn Sie startbereit sind, sorgen Sie bitte für genügend Platz und einen sauberen, trockenen Ort für den Zusammenbau.

Die Montageschritte finden Sie in Kapitel 5.0 (Seite 124-134)

6.0 PFLEGE UND UNTERHALT

Dieses Trampolin wurde entwickelt und hergestellt aus qualitativ hochwertigen Materialien und Verarbeitung. Bei sorgfältiger Pflege und Wartung werden alle User jahrelang üben können und Spaß und Freude haben und dabei gleichzeitig die Verletzungsgefahr reduzieren. Bitte folgen Sie untenstehenden Richtlinien:

Dieses Trampolin wurde entwickelt, um ein gewisses Gewicht und Beanspruchung auszuhalten. Bitte stellen Sie sicher, dass nur immer eine Person das Trampolin gleichzeitig benutzt. Users sollte entweder Socken oder Gymastikschuhe tragen bzw. barfuß das Trampolin benutzen. Straßenschuhe oder Tennisschuhe sollten NICHT getragen werden, bei der Benutzung des Trampolins. Um zu vermeiden, dass die Trampolin-Matte eingerissen oder beschädigt wird, lassen Sie keine Tiere auf die Matte. Users sollten alle scharfen Objekte entfernen vor der Benutzung des Trampolins. Alle scharfen oder spitzen Objekte sollten stets von der Trampolin-Matte ferngehalten werden.

Wartungsanleitung

Es ist notwendig der wichtigsten Teile (Rahmen, Verspannung, Sprungmatte, Polsterung und Sicherheitsnetz) zum Überprüfen und Instandhalten, zu Beginn jeder Saison sowie in regelmäßigen Intervallen; das Trampolin könnte einer Gefahr werden bei fehlender Überprüfung.

- Stellen Sie sicher, dass die Klettverschlüsse während der Benutzung des Trampolins ordnungsgemäß geschlossen sind.
- Der Sitz aller Schrauben und Muttern muss regelmäßig geprüft werden. Bei Bedarf müssen sie nachgezogen werden.
- Alle Federverbindungen (Arretierungsstifte) müssen intakt sein und dürfen bei Verwendung des Trampolins kein Spiel haben.
- Verkleidungsschrauben und scharfe Ränder müssen geprüft und bei Bedarf ersetzt werden.
- Die Wartungsanleitung gut aufbewahren.

Überprüfen Sie stets das Trampolin vor der Benutzung auf abgenutzte, falsch verwendete oder fehlende Teile. Es könnten viele Bedingungen eintreten, die das Verletzungsrisiko erhöhen können. Achten Sie besonders auf:

- Punktierungen, Löcher oder Risse in der Trampolin-Matte
- Durchhängende Trampolin-Matte
- Lose Nähte oder andere Verschlechterungen der Matte
- Verbogene oder gebrochene Rahmenteile, wie die Stützen
- Gebrochene, fehlende oder beschädigte Federn
- Beschädigte, fehlende oder schlecht angebrachte Rahmenmatten
- Alle herausragende Teile (besonders, wenn sie scharf sind) auf Rahmen, Federn oder Matte

WENN SIE EINE DER AUFGEFÜHRTEN KONDITIONEN FESTSTELLEN ODER SIE DAS GEFÜHL HABEN, DASS ETWAS ANDERES EINEN USER VERLETZEN KÖNNTE, DANN SOLLTE DAS TRAMPOLIN AUSEINANDERGEBAUT ODER VOR DEM GEBRAUCH GESICHERT WERDEN, BIS DIE KONDITION(EN) GEKLÄRT SIND.

WIND

Bei starken Winden kann das Trampolin wegfliegen. Wenn Sie windiges Wetter erwarten, sollte das Trampolin an einen geschützten Ort gebracht oder auseinander gebaut werden. Eine weitere Option, ist es, es das runde, außen liegende Teil (Oberrahmen) des Trampolins mit Seilen und Pfählen an den Boden festzubinden. Zur Sicherheit sollten mindestens (3) Kabelbinder verwendet werden.

VERSETZEN DES TRAMPOLINS

Wenn Sie das Trampolin versetzen wollen, sollten zwei Personen mitarbeiten. Alle Verbindungspunkte sollten sicher mit wetterfestem Klebeband, wie Isolierband, umwickelt werden. Dadurch bleibt der Rahmen während des Bewegens sicher und verhindert, dass die Verbindungspunkte sich lösen. Beim Bewegen heben Sie das Trampolin leicht vom Boden weg und halten es horizontal zum Erdboden.

Bei einer anderen Art des Bewegens sollten Sie das Trampolin auseinanderbauen.

WINTER

IN bestimmten Ländern kann das Trampolin durch Schneelast und sehr niedrige Temperaturen während der Winterperiode beschädigt werden. Es wird empfohlen, den Schnee vom Trampolin zu entfernen und Sprungmatte sowie Sicherheitsnetz im Innenbereich aufzubewahren.

7.0 Garantie

1. Der Besitzer des EXIT PeakPro Trampolin erhält nach dem Datum der Kaufquittung:
 - 10 Jahre Garantie auf den Bruch des Rahmens
 - 5 Jahre Garantie auf die Federn
 - 2 Jahre Garantie auf den Schutzrand und das Sprungtuch.
 - 2 Jahre Garantie auf das Reißen des Netzes
2. Die Garantie gilt ausschließlich für Material- und Konstruktionsfehler in Bezug auf dieses Produkt oder Einzelteile davon.
3. Die Garantie verfällt, wenn:
 - Dieses Produkt falsch und/oder nicht sorgfältig benutzt und zu Zwecken benutzt wird, die nicht dem Benutzungszweck entsprechen.
 - Dieses Produkt nicht entsprechend den Montage- und Wartungsanweisungen montiert und gewartet wurde.
 - Technische Reparaturen an diesem Produkt nicht auf fachkundige Weise durchgeführt wurden.
 - Später montierte Einzelteile nicht übereinstimmen mit den technischen Spezifikationen des betreffenden Produkts oder falsch montiert sind.
 - Mängel infolge klimatischer Einflüsse wie Rost, UV-Strahlung oder normaler Verwitterung.
 - Das Produkt vermietet wird oder auf andere Weise mehreren unbefugten Personen zur Verfügung steht.
4. Während der Garantieperiode werden alle von EXIT Toys festgestellten Material- oder Konstruktionsfehler von EXIT Toys nach eigenem Ermessen repariert oder ersetzt.
5. Der Besitzer des EXIT Toys Trampolin kann nur Anspruch auf die Garantie erheben, indem er das Produkt dem EXIT Toys Händler zur Begutachtung zur Verfügung stellt. Hierzu muss dem EXIT Toys Händler der original Kaufquittung übergeben werden.
6. Stellt EXIT Toys Material- oder Konstruktionsfehler fest, wird das Produkt oder Einzelteile davon während der in Artikel 1 genannten Garantieperiode von EXIT Toys nach eigenem Ermessen kostenlos repariert, bzw. ersetzt.
7. Ist der Anspruch auf die Garantie nicht gerechtfertigt, gehen alle entstandenen Kosten zu Lasten des Besitzers des EXIT Toys Trampolin.
8. Die Garantie ist nicht an Dritte übertragbar.
9. Das Trampolin ist für den privaten Gebrauch vorgesehen. Sie dürfen nicht vermietet oder auf öffentlichen Plätzen wie Schulen und Kindertagesstätten verwendet werden. Bei Vermietung oder Verwendung auf öffentlichen Plätzen verfällt jede Garantie sowie weitere Verantwortlichkeit.

1.0 Introductie

Gefeliciteerd met uw PeakPro Trampoline van EXIT Toys!

Pret maken, actief leven en buiten spelen.....

Dat is onze motivatie om innovatief en kwalitatief speelgoed te ontwikkelen voor coole kinderen.

We doen er alles aan om producten te ontwikkelen die veilig zijn voor kinderen. Aangezien onze producten worden geclassificeerd als speelgoed, voldoen we aan de strengste normen op het vlak van consumentveiligheid. Voordat we een product op de markt brengen, laten we onafhankelijke tests uitvoeren voor de vereiste certificaten. We voeren ook voortdurend controles uit tijdens de productie en we laten regelmatig nieuwe onafhankelijke tests uitvoeren als extra controle. Enkel de producten die voldoen aan de strengste normen van EXIT Toys krijgen het EXIT Toys merk.

Wij stellen het zeer op prijs dat u bij ons klant bent en danken u voor het vertrouwen in dit product. We zijn er zeker van dat uw kinderen evenveel van dit product zullen genieten als wij tijdens de ontwikkeling ervan. Omdat we open staan voor uw mening, zijn uw opmerkingen en ideeën steeds welkom zodat we onze producten nog kunnen verbeteren en nieuwe kunnen ontwikkelen. Neem daarom gerust contact op via info@exittoys.com.

Bezoek de wereld van EXIT Toys op www.exittoys.com en ontdek ook onze andere stoere en nieuwe buitenspeel producten.

Het team van EXIT Toys

2.0 Richtlijnen voor veilig gebruik

Als u de instructies voor de trampoline correct opvolgt, kunt u nagenoeg alle risico's vermijden. Houd er wel rekening mee dat kinderen van nature graag spelen en dat dit tot onvoorzien gevaarlijke situaties kan leiden waarvoor de fabrikant niet verantwoordelijk is. Leer uw kinderen hoe ze het product moeten gebruiken en wijs hen op de mogelijke gevaren.

Lees en volg deze algemene waarschuwingen voordat u het product monteert en gebruikt:



WAARSCHUWING Om ernstige verwondingen te vermijden



- Lees en begrijp de handleiding voor gebruik.
- Waarschuwing! Dit product is uitsluitend bedoeld voor thuisgebruik en gebruik voor buiten.
- Waarschuwing! VERSTIKKINGSGEVAAR! - Kleine onderdelen. Niet voor kinderen jonger dan 3 jaar.
- Bescherm kinderen
 - Voorkom valpartijen en beknelling - Ga uitsluitend door de deur naar buiten en let hierbij op.
 - Help jonge kinderen in en uit het veiligheidsnet.
- Waarschuwing! Nooit meer dan 1 persoon op de trampoline. Botsing gevaar!
- Waarschuwing! Maak geen salto's of andere moeilijke sprongen!
- Waarschuwing! Leeg uw zakken voordat u de trampoline gebruikt!
- Steeds gebruiken onder toezicht van een volwassene.
- Waarschuwing! De trampoline moet door een volwassene volgens de montageinstructies worden gemonteerd en voor gebruik worden gecontroleerd.
- Waarschuwing! Het is verboden te eten tijdens het springen.
- Gebruik de trampoline niet wanneer deze nat is.
- De trampoline is niet geschikt om in de grond in te graven.
- Dit product moet voor gebruik worden gemonteerd door een volwassene.
- Neem in geval van ontbrekende of kapotte onderdelen contact op met het verkooppunt voor assistentie.
- Wijzigingen door de consument doorgevoerd aan de trampoline (bv. het toevoegen van accessoires) moet worden uitgevoerd volgens de instructies van de fabrikant.
- Waarschuwing: Wij zijn niet aansprakelijk voor enig letsel dat kan ontstaan tijdens het gebruik van de trampoline.
- Maximum gewicht van gebruiker: 13.12.15.00: 130 kg

2.1 Waarschuwingen voor een veilig gebruik:

- Lees de informatie in deze handleiding en zorg ervoor dat u deze begrijpt. Zoals bij alle fysieke sporten en activiteiten bestaat het risico dat deelnemers letsel oplopen. Neem de van toepassing zijnde veiligheidsregels en -tips in acht zodat u van het toestel kunt genieten en letsel wordt voorkomen.
- Bewaar deze handleiding voor toekomstig gebruik; bevat belangrijke informatie.
- Sluit altijd het veiligheidsnet vóór gebruik van de trampoline.
- RAADPLEEG ALTIJD EEN DOKTER / ARTS VOORDAT U FYSIEKE INSPANNINGEN GAAT LEVEREN.
- CONTROLEER DE TRAMPOLINE ALTIJD VOOR GEBRUIK. LET DAARBIJ SPECIFIEK OP ALLE BOUTEN, DE SPRINGMAT EN DE POSITIE VAN DE RANDKUSSENS. GEBRUIK DE TRAMPOLINE NIET ALS ER ONDERDELEN ONTBREKEN OF ALS DEZE TEKENEN VAN SLIJTAGE VERTONEN.
- ZORG ER ALTIJD VOOR DAT DE TRAMPOLINE DOOR SLECHTS 1 PERSOON TEGELIJK WORDT GEBRUIKT. Botsingsgevaar!
- ZORG ER ALTIJD VOOR DAT DE TRAMPOLINE ONDER TOEZICHT WORDT GEBRUIKT (BIJ IEDEREEN EN BIJ ELK VAARDIGHEIDSNIVEAU).
- Stop onmiddellijk met springen als u zich onwel voelt of als u pijn in uw gewrichten en spieren krijgt. Duizeligheid is een teken van vermoeidheid. Stop met springen en ga op de grond liggen als u zich duizelig voelt.
- Zorg ervoor dat u geschikte kleding draagt wanneer u deze trampoline gebruikt, bij voorkeur sportkleding en sokken. DRAAG NOOIT SCHOENEN OP DE MAT.
- Waarschuwing: de trampoline is voorzien van veren waardoor de gebruiker veel hoger kan springen dan gewoon vanaf de grond. Houd hier rekening mee en zorg ervoor dat u zich zeker voelt bij het springen van kleine hoogtes.
- Deze handleiding bevat informatie over de juiste montage, zorg en onderhoud van het product, veiligheidstips, waarschuwingen en juiste technieken voor het springen op uw trampoline, zowel voor uw veiligheid als voor een langere levensduur van het product. Alle gebruikers en toezichthouders dienen zich daarom deze instructies eigen te maken. Iedereen die ervoor kiest om de trampoline te gebruiken, moet zich bewust zijn van zijn/haar eigen beperkingen in verband met het uitvoeren van oefeningen op deze trampoline.
- De trampoline opstellen op gras of op door veiligheidsinstanties goedgekeurde veiligheidsmatten. Nooit op betonnen, asphalt of enige andere harde ondergrond plaatsen noch in de nabijheid van andere installaties (bijv kinderbaden, schommels, glijbanen, klimrekken)
- Dit product is uitsluitend bedoeld voor thuisgebruik.
- VERPLAATSEN VAN DE TRAMPOLINE. Wanneer de trampoline verplaatst moet worden, zijn hiervoor minimal 2 personen nodig. Til de trampoline iets op en houdt de trampoline bij het verplaatsen in horizontale positie. Indien noodzakelijk is het mogelijk de trampoline uit elkaar te halen. Volg hierbij de montagehandleiding in omgekeerde volgorde.

2.2 GEBRUIK VAN DE TRAMPOLINE

EERST dient u vertrouwd te raken met de trampoline en dient u te ervaren hoeveel vering elke sprong veroorzaakt. De aandacht dient hierbij vooral te liggen op de lichaamshouding en de techniek totdat elke oefening gemakkelijk en gecontroleerd kan worden uitgevoerd.



- **VOORDAT U PROBEERT HOOG TE SPRINGEN** dient u de stoptechniek te leren omdat u daarmee letsel kunt voorkomen als u voelt dat u de sprongen niet meer onder controle hebt.
- Bij het landen op de mat moeten de knieën gebogen zijn zodat ze de vering van de mat stoppen en absorberen. De positie is links aangegeven. De armen worden gestrekt gehouden voor een beter evenwicht.
- Deze vaardigheid wordt gebruikt wanneer de trampolingebruiker wil stoppen met springen vanwege vermoeidheid, controleverlies, etc.



SALTO'S: MAAK GEEN salto's (achterover of voorover) op deze trampoline. Als u bij het uitvoeren van een salto een fout maakt, kunt u op uw hoofd of nek terecht komen. Hierdoor vergroot u de kans dat u uw nek of rug breekt, waardoor u kunt overlijden of verlamd kunt raken.



VREEMDE VOORWERPEN: Gebruik de trampoline niet als er zich huisdieren, andere mensen of voorwerpen onder de trampoline bevinden. Hierdoor wordt de kans op letsel vergroot. Houdt **GEEN** voorwerpen in de hand en plaats **GEEN** voorwerpen op de trampoline als deze wordt gebruikt. Plaats de trampoline **NIET** onder overhangende voorwerpen zoals boomtakken, draden, etc. omdat deze de kans op letsel verhogen.



SLECHT ONDERHOUD VAN DE TRAMPOLINE: Een trampoline in slechte staat vergroot de kans op letsel. Inspecteer de trampoline voor elk gebruik op verbogen stalen buizen, scheuren in de mat, losse of gebroken veren en de algehele stabiliteit van de trampoline.



WEERSOMSTANDIGHEDEN: Let op, gebruik de trampoline niet tijdens harde wind en veranker de trampoline. Als het te hard waait, kan de gebruiker de controle verliezen. Houd bij gebruik van de trampoline rekening met de weersomstandigheden. Gebruik de trampoline niet wanneer deze nat is.



TOEGANG BEPERKEN: Berg het trapje altijd op een veilige plaats op wanneer de trampoline niet wordt gebruikt, om te voorkomen dat kinderen zonder toezicht op de trampoline kunnen spelen.

2.3 TIPS OM HET RISICO OP ONGEVALLEN TE VERLAGEN



Om het risico op ongevallen te verlagen, dient de 'TRAMPOLINEGEBRUIKER':

- zijn/haar sprongen en lichaamshouding altijd onder controle te houden;
- niet proberen oefeningen uit te voeren die zijn/haar vaardigheidsniveau te boven gaan;
- de sprong te lezen en te begrijpen door af te zetten en te landen in het midden van de trampoline;
- zijn/haar sprongen altijd onder controle te houden door af te zetten en te landen in het midden van de trampoline;
- Let op, spring altijd in het midden van de mat. Altijd verticaal te springen en niet in de richting van de veren;
- altijd een officieel gediplomeerd trampoline-instructeur te raadplegen wanneer hij/zij oefeningen wil proberen die de basistechnieken te boven gaan.

Om het risico op ongevallen te verlagen dient de 'TOEZICHTHOUDER':

- alle veiligheidsregels en -richtlijnen volledig te begrijpen en toe te zien op de naleving daarvan;
- de trampolinegebruiker te adviseren en aan te geven wat hij/zij goed en fout doet om de veiligheid van de trampolinegebruiker te waarborgen;
- op de hoogte te zijn van alle veiligheidswaarschuwingen en de trampolinegebruiker daarop te attenderen.
- Verlaat de trampoline niet met een sprong!

BELANGRIJK: Als er geen toezicht bij de trampoline mogelijk is, moet er een methode zijn om het toestel te beveiligen en te voorkomen dat het door iemand gebruikt wordt totdat toezicht beschikbaar is.

2.4 VEILIGHEIDSINSTRUCTIES VOOR DE TRAMPOLINE

AANBEVOLEN VOORZORGSMATREGELEN TIJDENS HET GEBRUIK VAN DE TRAMPOLINE



- Gebruik de trampoline niet als u alcohol of verdovende middelen hebt gebruikt.
- Klim de trampoline op en af op een gecontroleerde en behoedzame manier. Spring nooit op of van de trampoline af en gebruik de trampoline nooit als een hulpmiddel om op of in een ander object te springen.
- Leer altijd de basissprong en zorg ervoor dat u elk soort sprong onder de knie krijgt voordat u moeilijkere soorten sprongen probeert. Raadpleeg het hoofdstuk over de basisvaardigheden om de grondbeginselen te leren.
- Als u wilt stoppen met springen, buigt u de knieën wanneer u op uw voeten landt.
- Zorg dat u altijd controle houdt wanneer u op de trampoline springt. Bij een gecontroleerde sprong komt u neer op hetzelfde punt als vanwaar u zich hebt afgezet. Als u op enig moment voelt dat u het springen niet meer onder controle hebt, stop dan onmiddellijk.
- Spring niet te lang en maak niet teveel hoge sprongen achter elkaar. Houd uw ogen op de mat gericht om controle te houden. Als u dat niet doet, kunt u uit balans raken.
- Laat nooit meer dan 1 persoon tegelijk op de trampoline wegens botsingsgevaar.

Aanbevolen voorzorgsmaatregelen voor toezicht op de trampoline

BELANGRIJK: Maak uzelf vertrouwd met de basissprongen en de veiligheidsregels. Zorg ervoor dat alle veiligheidsregels worden nageleefd en dat nieuwe gebruikers de basissprongen leren voordat ze gevorderde technieken gaan proberen. Dit om het risico op letsel te voorkomen en verlagen.

- Bij ALLE GEBRUIKERS is toezicht vereist, ongeacht vaardigheidsniveau of leeftijd.
- Gebruik de trampoline nooit wanneer deze nat, beschadigd, vuil of versleten is. De trampoline dient voorafgaand aan gebruik te worden geïnspecteerd.
- Houd alle voorwerpen die tijdens het gebruik van de trampoline een belemmering kunnen vormen te allen tijde uit de buurt van het toestel. Wees u bewust van wat zich boven, onder en rond de trampoline bevindt.
- Om gebruik zonder toezicht en toestemming te voorkomen, dient de trampoline te allen tijde te worden beveiligd.

2.5 ONGEVALSCLASSIFICATIE EN -IDENTIFICATIE



OP- EN AFKLIMMEN:

Wees zeer voorzichtig bij het op- en afklimmen van de trampoline. KLIM NIET op de trampoline door het randkussen vast te pakken, op de veren te stappen of op de trampolinemat te springen vanaf een ander object (bijv. een veranda, dak of ladder). Dit is zeer gevaarlijk. STAP NIET van de trampoline af door er vanaf te springen en op de grond neer te komen. Kleine kinderen die op de trampoline spelen hebben mogelijk hulp nodig bij het op- en afklimmen.



GEBRUIK VAN ALCOHOL OF DRUGS:

Drink GEEN alcohol en gebruik geen drugs (of geneesmiddelen die het coördinatievermogen van de gebruiker kunnen beïnvloeden) wanneer u deze trampoline gebruikt. Dit is zeer gevaarlijk aangezien deze middelen een nadelig effect hebben op uw inschattingsvermogen, reactiesnelheid en algehele fysieke coördinatie.



MEERDERE GEBRUIKERS:

Laat nooit meer dan 1 persoon tegelijk op de trampoline.



IN AANRAKING KOMEN MET FRAME EN VEREN:

BLIJF in het midden van de trampolinemat wanneer u op het toestel springt. Hierdoor verlaagt u het risico op letsel doordat u op het frame of de veren terecht komt. Zorg ervoor dat de randkussens het trampolineframe altijd bedekken. Spring of stap NIET rechtstreeks op het randkussen. Dit is niet geschikt om het gewicht van een persoon te dragen.



CONTROLEVERLIJES:

Probeer GEEN moeilijke bewegingen totdat u de grondbeginselen onder de knie hebt. Als u zich niet aan deze richtlijnen houdt, vergroot u de kans dat iemand gewond raakt.

WAARSCHUWING: neem elke 10 minuten even pauze.

3.0 TRAMPOLINETECHNIEKEN

BASISVAARDIGHEDEN

BASISVAARDIGHEID 1: de basissprong



- Ga rechtop staan met de voeten op schouderbreedte uit elkaar en de ogen op de springmat gericht.
- Zwaai de armen naar voren / omhoog boven het hoofd in cirkelvorm. beweging up above head in a circular motion.
- Breng uw benen en voeten bij elkaar in de 'luchtpositie' en richt uw tenen naar beneden.
- Kom weer op de mat neer met de voeten op schouderbreedte uit elkaar (zoals de startpositie).
- Ga pas door met de volgende oefening als u vertrouwd bent met deze beweging en deze goed kunt uitvoeren.

BASISVAARDIGHEID 2: de kniesprong

- Begin met de lage basissprong (zoals bij BASISVAARDIGHEID 1).
- Land op de knieën (houd deze op schouderbreedte uit elkaar), terwijl u de rug recht houdt, lichaam gespannen en armen gestrekt naar voren of opzij voor balans.
- Spring terug naar de basissprong door de vaart van de vering te gebruiken en de armen omhoog te gooien.
- Wanneer dit goed lukt op deze hoogte kunt u proberen iets hoger te springen. Vergeet echter niet de hoogte altijd onder controle te houden.



BASISVAARDIGHEID 3: de zitsprong



- Begin met een lage basissprong (BASISVAARDIGHEID 1) in de normale positie.
- Land met uw benen recht voor u uit gestrekt, de handen aan weerszijden van uw heupen, de rug recht en het lichaam gespannen.
- Gebruik de vaart van de vering samen met een duw van de handen om terug te keren in een rechtstandige positie.
- Als dit goed lukt op deze hoogte, kunt u proberen iets hoger te springen. Vergeet echter niet de hoogte te controleren.

BELANGRIJK: Raadpleeg een getrainde trampoline-instructeur voordat u moeilijkere oefeningen gaat proberen om er zeker van te zijn dat de veiligheid zoveel mogelijk wordt gewaarborgd.

GEVORDERDE VAARDIGHEDEN

GEVORDERDE VAARDIGHEID 1: de basissprong



- Begin met lage basissprong (BASISVAARDIGHEID 1) in normale positie position.
- Land op handen en knieën tegelijk. Zorg er daarbij voor dat u de rug horizontaal houdt ten opzichte van de springmat en dat u handen en benen op schouderbreedte uit elkaar houdt.
- Gebruik de vaart van de vering en duw af met uw handen om in rechte positie overeind te komen.
- Wanneer dit goed lukt op deze hoogte, kunt u proberen iets hoger te springen. Vergeet echter niet de hoogte altijd onder controle te houden.
- Probeer de volgende vaardigheid pas als u vertrouwd bent met deze beweging en deze goed kunt uitvoeren.

GEVORDERDE VAARDIGHEID 2: de hand- en kniesprong naar buiksprong

- Land op handen en knieën tegelijk. Zorg ervoor dat u de rug horizontaal houdt ten opzichte van de springmat en dat u de handen en benen op schouderbreedte uit elkaar houdt.
- Houd het lichaam gespannen met de rug horizontaal ten opzichte van de mat, strek uw benen achter u uit en vouw uw armen in de lucht voor uw gezicht, klaar om in liggende houding neer te komen op de mat.
- Zorg ervoor dat het lichaam de mat bij het neerkomen in één keer raakt.
- Druk uzelf met de handen op en kom terug in staande houding. hands and recover the standing position.
- Als dit goed lukt op deze hoogte, kunt u proberen iets hoger te springen. Vergeet echter niet de hoogte altijd onder controle te houden. Ga pas door met de volgende vaardigheid als u vertrouwd bent met deze beweging en deze goed kunt uitvoeren.



GEVORDERDE VAARDIGHEID 2: de buiksprong



- Begin met de lage basissprong (BASISVAARDIGHEID 1) in normale positie.
- Houd het lichaam gespannen met de rug horizontaal ten opzichte van de mat, strek uw benen achter u uit en vouw uw armen in de lucht voor uw gezicht, klaar om in liggende houding neer te komen op de mat.
- Zorg ervoor dat het lichaam de mat bij het neerkomen in één keer raakt.
- Druk uzelf met de handen op en kom terug in staande houding.
- Als dit goed lukt op deze hoogte, kunt u proberen iets hoger te springen. Vergeet echter niet de hoogte altijd onder controle te houden.

BELANGRIJK: Raadpleeg een gediplomeerd en geregistreerd instructeur als u zich verder wilt bekwalen en meer gevorderde trampolinetechnieken wilt leren.

4.0 ALGEMENE INFORMATIE

- Zelfvergrendelende moeren en schroeven zijn alleen geschikt voor eenmalige opstelling en dienen na het afbreken van de trampoline en/of het veiligheidsnet te worden vervangen.
- Veiligheidsnetten hebben een levensduur van 2 jaar vervang deze tijdig.
- We adviseren om de trampoline op een plat en vlak oppervlak te plaatsen met minimaal 3 m afstand tot andere bovenbouw of barrières, bijv. hek, garage, huis, boomtakken, waslijnen of elektriciteitskabels.
- Plaats de trampoline niet op een hard oppervlak als asfalt, beton, enz.
- Vervang defecte onderdelen volgens de aanwijzingen van de leverancier.
- Aanpassingen aan de trampoline (bijv. toevoeging van een accessoire) dient te geschieden volgens de aanwijzingen van de leverancier.
- Zorg ervoor dat de haak-en-lus bevestigingsmiddelen goed bevestigd zijn tijdens het gebruik van de trampoline.

5.0 MONTAGE VAN DE TRAMPOLINE

STAP VOOR STAP OPBOUW

Mag uitsluitend worden gemonteerd door volwassenen.

Voor het monteren van deze trampoline hebt u alleen onze speciale verenspanner nodig die wordt meegeleverd met dit product. Tijdens perioden waarin de trampoline niet wordt gebruikt kan deze trampoline gemakkelijk worden gedemonteerd en opgeslagen. **Lees de montage-instructies voordat u begint met het monteren van het product.**

Raadpleeg de tabel voor de beschrijving en nummering van onderdelen. In de montage-instructie wordt naar deze beschrijvingen en nummers verwezen.

Controleer of u alle aangegeven onderdelen hebt. Neem contact op met het verkooppunt als u onderdelen mist.

Gebruik handschoenen om uw handen tijdens montage te beschermen tegen beknelling. Als u klaar bent om te beginnen, dient u ervoor te zorgen dat u genoeg ruimte hebt en dat deze ruimte droog en schoon is.

U kunt de montage voorschriften vinden in hoofdstuk 5 (pagina 124-134)

6.0 ZORG EN ONDERHOUD

Deze trampoline is ontworpen en vervaardigd met kwaliteitsmaterialen en vakmanschap. Bij de juiste zorg en het juiste onderhoud zullen alle gebruikers hier jarenlang met veel plezier op kunnen springen en zal ook het risico op letsel worden verlaagd. Volg de onderstaande richtlijnen:

Deze trampoline is ontworpen om een bepaalde hoeveelheid gewicht en gebruik aan te kunnen. Zorg ervoor dat slechts één persoon tegelijk de trampoline gebruikt. Springers dienen sokken / turnschoenen te dragen of blootsvoets te zijn wanneer zij de trampoline gebruiken. Let er op dat schoenen voor op straat of tennisschoenen NIET mogen worden gedragen tijdens het gebruik van de trampoline. Om te voorkomen dat de trampolinemat gescheurd of beschadigd raakt zijn huisdieren op de mat niet toegestaan. Springers dienen tevens alle scherpe voorwerpen af te doen voordat ze de trampoline gebruiken. Alle scherpe of gepunte voorwerpen dienen van de trampolinemat te worden gehouden.

Onderhoudsinstructies

Zorg voor controles en onderhoud van de belangrijkste onderdelen (frame, ophanging, mat, vulling, en de behuizing) aan het begin van elk seizoen en regelmatig tijdens het gebruik. Als deze controles niet worden uitgevoerd, kan de trampoline gevaarlijk worden!

- U dient te controleren of alle moeren en bouten nog goed vast zitten; draai ze indien nodig aan.
- U dient te controleren dat alle veergeladen aansluitingen (vergrendelingspen) onbeschadigd zijn en niet bewegen tijdens het gebruik van de trampoline.
- U dient de afdekschroeven en scherpe randen te controleren en indien nodig te vervangen.
- Bewaar de onderhoudshandleiding voor later gebruik.

Inspecteer de trampoline altijd vóór gebruik op versleten, verkeerd gebruikte of ontbrekende onderdelen. Door een aantal omstandigheden kan uw kans op letsel toenemen. Pas op met:

- Doorboringen, gaten of scheuren in de trampolinemat
- Een doorzakkende trampolinemat
- Loszittend stiksel of elke vorm van slijtage van de mat
- Gebogen of gebroken frame-onderdelen, zoals de poten
- Gebroken, ontbrekende of beschadigde veren
- Een beschadigd, ontbrekend of niet goed bevestigd framekussen
- Uitsteeksels (met name als ze scherp zijn) op het frame, de veren of de mat

ALS U EEN VAN DE BOVENSTAANDE PUNTEN OF IETS ANDERS DAT VOLGENS U LETSEL BIJ EEN GEBRUIKER KAN VEROORZAKEN OPMERKT, DIENT DE TRAMPOLINE TE WORDEN GEDEMONTEERD OF TEGEN GEBRUIK TE WORDEN BEVEILIGD TOTDAT DE KWESTIE IS VERHOLPEN.

WINDERIGE OMSTANDIGHEDEN

Bij hevige wind kan de trampoline van zijn plaats worden geblazen. Als u winderige weersomstandigheden verwacht, dient de trampoline naar een beschutte plek te worden verplaatst of te worden gedemonteerd. Een andere optie is om het ronde, buitenste gedeelte (bovenframe) van de trampoline aan de grond vast te maken met behulp van touwen en paaltjes. Voor de veiligheid dienen ten minste drie (3) vastzetpunten te worden gebruikt.

DE TRAMPOLINE VERPLAATSEN

Als u de trampoline moet verplaatsen, zijn hiervoor twee mensen nodig. Alle verbindingpunten dienen stevig te worden omwikkeld met weersbestendige tape, zoals duct tape. Hierdoor blijft het frame tijdens de verplaatsing heel en wordt voorkomen dat de verbindingpunten van hun plaats raken en van elkaar worden gescheiden. Licht de trampoline bij het verplaatsen enigszins van de grond en houdt deze horizontaal ten opzichte van de grond. Voor elke andere soort verplaatsing dient u de trampoline te demonteren.

WINTER

In sommige landen tijdens de winter periode kan de sneeuwbelasting en zeer lage temperaturen de trampoline beschadigen. Het wordt aanbevolen om de sneeuw te verwijderen en afdekrand, springmat en veiligheidsnet binnenshuis te bewaren.

7.0 Garantie

1. De eigenaar van de EXIT PeakPro Trampoline heeft na de datum van de aankoopnota:
 - 10 jaar garantie op het breken van het frame
 - 5 jaar garantie op de veren
 - 2 jaar garantie op de beschermrand en springdoek.
 - 2 jaar garantie op het scheuren van het net
2. De garantie geldt uitsluitend voor materiaal- en constructiefouten ten aanzien van dit product of onderdelen daarvan.
3. De garantie vervalt als:
 - Dit product onjuist en/of onzorgvuldig gebruikt is en gebruikt wordt dat niet overeenkomstig bestemming is.
 - Dit product niet conform het instructieboekje geassembleerd en onderhouden is.
 - Technische reparaties aan dit product niet op vakkundige wijze verricht zijn.
 - Naderhand gemonteerde onderdelen niet overeenkomen met de technische specificaties van het betreffende product, of onjuist gemonteerd zijn.
 - Gebreken als gevolg van klimatologische invloeden, zoals roest, UV-straling of normale verwerking.
 - Het product wordt gebruikt voor verhuur of op andere wijze aan meerdere ongespecificeerde personen ter beschikking staat.
4. Gedurende de garantieperiode zullen alle door EXIT Toys vastgestelde materiaal- of constructiefouten ter keuze van EXIT Toys worden gerepareerd, danwel worden vervangen.
5. De eigenaar van de EXIT Trampoline kan slechts aanspraak maken op de garantie door het product ter inspectie aan te bieden bij een EXIT Toys dealer. Hierbij dient de originele aankoopnota aan de EXIT Toys dealer te worden overhandigd.
6. In geval van door EXIT Toys vastgestelde materiaal- of constructiefouten, zal het product of zullen onderdelen daarvan gedurende de in artikel 1 genoemde garantieperiode ter keuze van EXIT Toys gratis worden gerepareerd, danwel gratis worden vervangen.
7. Indien de garantieaanvraag niet terecht is, zijn alle gemaakte kosten voor rekening van de eigenaar.
8. De garantie is niet overdraagbaar aan derden.
9. Het is niet toegestaan de trampoline te verhuren of te plaatsen op openbare plaatsen zoals scholen en kinderdagverblijven. Bij verhuur of gebruik op openbare plaatsen vervalt iedere garantie of vervallen andere aansprakelijkheden.

1.0 Introduction

Vous venez de faire l'acquisition du EXIT PeakPro Trampoline; nous vous en félicitons!

S'amuser, être actif et jouer dehors.....

Nous faisons tout notre possible pour développer des produits sûrs pour les enfants. Étant donné que nos produits sont classés comme étant des jouets, nous nous conformons aux réglementations de sécurité des consommateurs les plus rigoureuses. Avant de commercialiser nos produits, nous faisons réaliser des tests indépendants en vue d'obtenir la certification. Nous testons également en continu nos cycles de production et faisons régulièrement réaliser des tests indépendants à titre de contrôle supplémentaire. Seuls les produits qui se montrent à la hauteur de la norme EXIT Toys la plus rigoureuse sont porteurs de l'étiquette EXIT Toys.

Nous souhaitons vous remercier pour l'achat de ce produit et pour votre fidélité. Nous sommes sûrs que vos enfants s'amuseront autant que nous nous sommes amusés durant la phase de développement. Nous sommes très ouverts et preneurs de tous les commentaires et idées qui pourraient nous aider à améliorer nos produits et à en développer de nouveaux. Vous êtes invités à nous envoyer vos idées à info@exittoys.com.

Découvrez le monde de EXIT Toys, ses produits de divertissement branchés et ses nouveautés sur www.exittoys.com.

L'équipe EXIT Toys.

2.0 Consignes de sécurité

Une utilisation conforme à ce qui est indiqué dans ce manuel éliminera quasiment tous les dangers. Cependant, gardez à l'esprit que les enfants éprouvent naturellement une forte envie de jouer et cela peut conduire à des situations imprévisibles et dangereuses dont le fabricant ne peut être tenu pour responsables. Apprenez à vos enfants à utiliser le produit et informez-les des dangers possibles qu'ils encourent.

Avan d'assembler et d'utiliser lke produit, veuillez lire et respecter les principaux avertissements ci-dessous.



AVERTISSEMENT **Afin d'éviter toute blessure grave:**



- Lire et comprendre le manuel avant utilisation.
- Attention! Ce produit est seulement conçu pour un usage domestique et à l'extérieur uniquement.
- Attention! **RISQUE D'ÉTOUFFEMENT !** - Petites pièces.
Pas adapté aux enfants de moins de 3 ans.
- Protection des enfants
 - Évitez les risques de chutes et d'étranglement - La sortie s'effectue uniquement via la porte, avec précaution.
 - Assistez les jeunes enfants lors de l'entrée et de la sortie du filet de Sécurité.
- Attention. Un seul utilisateur. Risque de collision.
- Attention! Ne pas exécuter de sauts périlleux ou autres sauts difficiles !
- Attention! Vider vos poches avant de monter sur le trampoline !
- L'enfant doit être constamment surveillé par un adulte.
- Les modifications apportées par le consommateur à l'trampoline origine (par exemple l'ajout d'un accessoire) doivent être effectués selon les instructions du fabricant.
- N'utilisez jamais le trampoline lorsqu'il est mouillé.
- Le trampoline est assemblé par un adulte en conformité avec les instructions d'assemblage et ensuite vérifiée avant la première utilisation.
- En cas de pièce manquante ou defectueuse, veuillez contacter votre revendeur pour assistance.
- Avertissement : nous ne sommes pas responsables des blessures pouvant survenir lors de l'utilisation du trampoline avec le filet de sécurité.
- Attention! Ne pas manger tout en sautant.
- Le trampoline est pas destiné à être enterré dans le sol.
- Poids max. de l'utilisateur: 13.12.15.00: 130 kg

2.1 Avertissements relatifs à la sécurité:

- Lisez et comprenez les informations délivrées dans ce manuel. Comme pour tous les sports et activités physiques, le risque de blessure existe. Pour garantir votre plaisir futur et éviter les dommages, assurez-vous de suivre les règles et les conseils de sécurité appropriés.
- Conservez ce manuel pour référence future; contient des informations importantes.
- Fermez le filet de sécurité avant le trampoline est utilisé.
- **CONSULTEZ TOUJOURS UN DOCTEUR/MÉDECIN AVANT D'EFFECTUER TOUT TYPE D'ACTIVITÉ PHYSIQUE.**
- **CONTRÔLEZ TOUJOURS VOTRE TRAMPOLINE AVANT UTILISATION, EN ATTACHANT UNE ATTENTION PARTICULIÈRE À TOUS LES BOULONS, AU TAPIS DE SAUT ET À LA POSITION DES REMBOURRAGES. NE PAS UTILISER SI DES PIÈCES SONT ABSENTES OU AFFICHENT DES TRACES D'USURE.**
- **ASSUREZ-**→ Attention. Un seul utilisateur. Risque de collision.
- **ASSUREZ-**→**VOUS TOUJOURS DE LA PRÉSENCE D'UNE PERSONNE SURVEILLANTE LORSQUE LE TRAMPOLINE EST UTILISÉ PAR QUICONQUE, QUEL QUE SOIT SON NIVEAU DE COMPÉTENCE.**
- Arrêtez immédiatement votre exercice lorsque vous ne vous sentez pas bien ou si vous sentez une douleur dans vos articulations et vos muscles. Le vertige est un signe de fatigue et vous devez cesser de sauter et vous allongez sur le sol si vous vous sentez étourdi.
- Lorsque vous utilisez ce trampoline, assurez-vous de porter des vêtements appropriés, de préférence des vêtements de sport et des chaussettes. **NE PORTEZ JAMAIS DE CHAUSSURES SUR LE TAPIS.**
- Veuillez garder à l'esprit que le trampoline repose sur des ressorts, permettant à l'utilisateur d'atteindre des hauteurs supérieures à celles qu'il peut atteindre sur le sol : assurez-vous donc de sauter d'abord confortablement à faible hauteur.
- Ce manuel contient des consignes pour un assemblage correct, des soins et l'entretien du produit, des conseils de sûreté, des avertissements et les techniques de saut appropriées, afin de garantir votre sécurité et une longue durée de vie du produit. Tous les utilisateurs et surveillants devraient donc se familiariser avec ces instructions. Quiconque choisissant d'utiliser le trampoline se doit de réaliser les limites de ses capacités.
- Le trampoline doit être assemblé sur l'herbe ou sur des tapis de sûreté approuvés par le BSI. Ne doit pas être installé sur du béton, de l'asphalte ou de toute autre surface dure ni à proximité d'autres installations en conflit (par exemple, piscines, balançoires, tobogans, tours d'escalade)
- Ce produit est seulement conçu pour un usage domestique.
- Déplacement du trampoline. Si le trampoline doit être déplacé, il doit être déplacé par deux personnes. Soulevez le trampoline peu et garder le trampoline lorsque vous déplacez horizontalement. Si nécessaire, vous pouvez démonter le trampoline. Suivez les instructions d'installation dans l'ordre inverse.

2.2 L'USAGE DU TRAMPOLINE

TOUT D'ABORD, vous devez vous familiariser avec votre trampoline et comprendre combien de rebonds suivent chaque saut. À ce stade, la priorité doit être la position du corps et la technique jusqu'à ce que vous développiez des qualités de contrôle et d'aisance.



- AVANT D'ESSAYER DE SAUTER TROP HAUT, la technique d'arrêt doit avoir été apprise, cela évitera les blessures si vous venez à sentir que vous sautez de manière incontrôlée.
- L'utilisateur qui atterrit sur les genoux doit être courbé afin de s'arrêter et pour que l'énergie du saut soit absorbée dans le tapis. La position est montrée dans l'image de gauche. Les bras sont déployés pour améliorer l'équilibre.
- Cette technique est utilisée lorsque l'utilisateur du trampoline souhaite arrêter de rebondir sur le trampoline par fatigue, perte de contrôle, etc.



SAUTS PÉRILLEUX (FLIPS) : N'EFFECTUEZ AUCUN saut périlleux d'aucunes sortes (saltos avant et arrière) sur ce trampoline. Si vous faites une erreur en essayant de réaliser un saut périlleux, vous pouvez atterrir sur votre tête ou cou. Ce qui augmentera la possibilité de vous fracturer ces derniers, pouvant entraîner la mort ou la paralysie.



OBJETS ELOIGNÉS : N'UTILISEZ PAS le trampoline si des animaux domestiques, d'autres personnes ou un quelconque objet se trouvent sous le trampoline. Cela augmentera la possibilité d'accidents, N'AYEZ aucun objet étranger dans vos mains et ne placez AUCUN objet sur le trampoline lorsque vous l'utilisez. N'INSTALLEZ PAS le trampoline sous des objets suspendus, comme des branches d'arbres, câbles, etc. ce qui augmente les probabilités d'accident.



MAUVAIS ENTRETIEN DU TRAMPOLINE : Un trampoline mal entretenu augmentera la probabilité d'accident. Veuillez inspecter le trampoline avant chaque utilisation en contrôlant les éventuels tubes d'acier tordus, déchirures du tapis de saut, ressorts lâches ou cassés et la stabilité générale du trampoline.

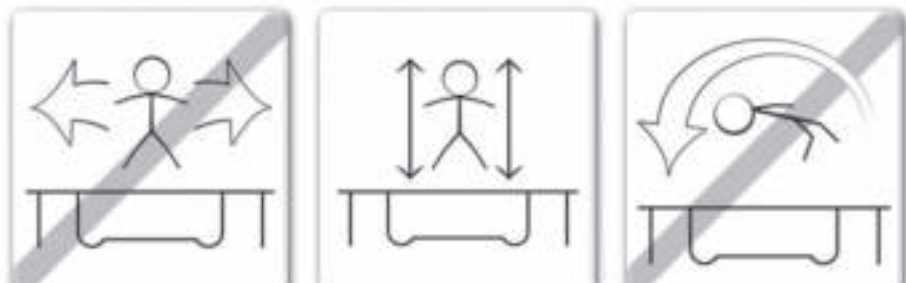


CONDITIONS ATMOSPHÉRIQUES : Attention. Ne pas utiliser dans des conditions de vent fort et fixer le trampoline. Veuillez prendre en compte les conditions météorologiques lorsque vous utilisez le trampoline. N'utilisez jamais le trampoline lorsqu'il est mouillé. Si le vent est trop fort, l'utilisateur pourra perdre le contrôle.



ACCÈS LIMITÉ : Lorsque le trampoline n'est pas utilisé, stockez toujours l'échelle d'accès dans un lieu sécurisé afin que des enfants non surveillés ne puissent pas jouer sur le trampoline.

2.3 ASTUCES POUR RÉDUIRE LE RISQUE D'ACCIDENTS



Afin de réduire le risque d'accident, l'**UTILISATEUR DU TRAMPOLINE** devrait :

- toujours rester maître de ses sauts et de sa position corporelle, à tout moment.
- Ne pas essayer d'exécuter des techniques dépassant son propre niveau de compétence.
- Lire et comprendre le saut en décollant et en atterrissant au milieu du trampoline.
- toujours contrôler son saut en décollant et en atterrissant au milieu du trampoline.
- Attention. Toujours sauter au milieu du tapis. Sauter verticalement et s'abstenir de rebondir en direction des ressorts dans une quelconque direction.
- toujours consulter un instructeur de trampoline certifié avant d'essayer toute technique sortant des techniques de base.

Afin de réduire le risque d'accident, le **SURVEILLANT** devrait :

- comprendre entièrement et faire respecter toutes les règles et directives de sûreté.
- Conseiller l'utilisateur du trampoline et l'informer sur ce qu'il fait correctement et mal afin d'assurer la sûreté de l'utilisateur du trampoline.
- Connaître tous les avertissements de sûreté et en informer l'utilisateur du trampoline.
- Attention. Ne pas sortir par un saut.

IMPORTANT : Si le trampoline ne peut pas être surveillé, une méthode doit être utilisée pour empêcher quiconque d'utiliser le produit, jusqu'à ce que la surveillance soit possible.

2.4 INSTRUCTIONS DE SÉCURITÉ

PRECAUTIONS À RESPECTER LORS DE L'UTILISATION DU TRAMPOLINE



- N'utilisez pas le trampoline si vous avez consommé de l'alcool ou des substances narcotiques
- Montez et descendez du trampoline de manière contrôlée et soigneuse. Ne sautez jamais sur ou hors du trampoline et n'utilisez jamais le trampoline comme un moyen pour rebondir sur ou dans un autre objet.
- Apprenez toujours le saut de base et maîtrisez chaque type de saut avant d'essayer des types de sauts plus difficiles. Passez en revue la section des techniques de base pour apprendre à effectuer les éléments de base.
- Pour arrêter de rebondir, fléchissez vos genoux lorsque vous atterrissez sur vos pieds.
- Conservez toujours le contrôle de votre équilibre lorsque vous rebondissez sur le trampoline. Un saut est contrôlé lorsque vous atterrissez à l'endroit exact d'où vous avez décollé. Si vous sentez que vous avez perdu le contrôle, cessez immédiatement de rebondir.
- Ne sautez pas ou ne rebondissez pas trop haut ou pendant des périodes prolongées pendant plusieurs sauts. Gardez vos yeux sur le tapis de saut pour conserver le contrôle. Dans le cas contraire, vous pourriez perdre votre équilibre.
- Attention. Un seul utilisateur. Risque de collision.

PRECAUTIONS CONSEILLÉES LORS DE LA SURVEILLANCE DU TRAMPOLINE

IMPORTANT : Familiarisez-vous avec les sauts et les règles de sécurité de base. Pour éviter et réduire le risque de blessures, assurez-vous que toutes les règles de sécurité soient respectées et que les nouveaux utilisateurs maîtrisent les sauts de base avant d'essayer des techniques plus avancées.

- **TOUS LES UTILISATEURS** doivent être surveillés, indépendamment de leur niveau de compétence ou de leur âge.
- N'utilisez jamais le trampoline lorsqu'il est mouillé, endommagé, sale ou usé. Le trampoline doit être inspecté avant utilisation.
- Gardez toujours à l'écart du trampoline tous les objets pouvant interférer pendant l'utilisation. Gardez à l'esprit ce qui se trouve au-dessus, en dessous et autour du trampoline.
- Pour prévenir une utilisation non surveillée et non autorisée, le trampoline devrait toujours être sécurisé.

2.5 ACCIDENT CLASSIFICATION & IDENTIFICATION



MONTAGE ET DÉMONTAGE :

Soyez très prudent lorsque vous montez et descendez du trampoline. Ne montez PAS sur le trampoline en saisissant le rembourrage de l'armature, marchant sur les ressorts ou sautant sur le tapis du trampoline depuis un objet (un pont, toit ou échelle). Cela est considéré comme très dangereux. Ne descendez PAS en sautant hors du trampoline et en atterrissant sur le sol. Si des petits enfants jouent sur le trampoline, ils peuvent avoir besoin d'aide pour monter et descendre.



CONSOMMATION D'ALCOOL ET DE DROGUE :

NE consommez AUCUN alcool ou aucune drogue (y compris les médicaments pouvant affecter la coordination de l'utilisateur) lorsque vous utilisez ce trampoline. Cela est considéré comme extrêmement dangereux, car ces substances étrangères réduisent vos jugements, temps de réponse et coordination physique générale.



UTILISATEURS MULTIPLES :

N'ayez jamais plus d'une personne à la fois sur le trampoline.



HEURT CONTRE L'ARMATURE DES RESSORTS:

Lorsque vous jouez sur le trampoline, RESTEZ au centre du tapis de trampoline. Cela réduira le risque de blessures à l'atterrissage sur le tapis de saut. Conservez toujours le rembourrage du châssis qui recouvre l'armature du trampoline. NE MONTEZ OU SAUTEZ PAS directement sur l'armature de rembourrage, car il n'est pas conçu pour supporter le poids d'une personne.



PERTE DE CONTRÔLE :

N'essayez pas de faire des manoeuvres difficiles avant de maîtriser les bases. Si vous ne respectez pas ces directives, vous augmentez le risque de blessure.

AVERTISSEMENT: Faire une pause toutes les 10 minutes.

3.0 TECHNIQUES DE TRAMPOLINE

TECHNIQUES DE BASE

TECHNIQUE DE BASE 1 : Le saut de base



- Démarrez depuis la position debout, les pieds bien écartés à la largeur des épaules, la tête relevée et les yeux sur le tapis du trampoline.
- Balancez les bras en avant et au-dessus de la tête dans un mouvement circulaire.
- Rapprochez les jambes et les pieds à "mi-air" et pointez les orteils.
- Atterrissez sur le tapis, les pieds bien écartés à la largeur des épaules (identique à la position de démarrage).
- Pourquoi ne pas essayer de passer à l'étape supérieure une fois cette technique bien maîtrisée?

TECHNIQUE DE BASE 2 : l'atterrissage sur les genoux

- Démarrez par un saut de base, bas (comme détaillé dans la TECHNIQUE DE BASE 1).
- Atterrissez avec les pieds bien écartés à la largeur des épaules, le dos droit et dans une position corporelle forte en utilisant les bras sur les côtés ou sur le devant pour maintenir l'équilibre.
- Revenez à la position de base en utilisant le moment du rebond et en balançant les bras au dessus de la tête.
- Une fois la technique maîtrisée à cette hauteur, essayez de sauter un peu plus haut, mais n'oubliez pas de contrôler toujours votre hauteur.



TECHNIQUE DE BASE 3 : l'atterrissage assis



- Démarrez par un saut de base, bas (TECHNIQUE DE BASE 1) en position normale.
- Atterrissez avec les jambes tendues face à vous, les mains de part et d'autre de vos hanches et le dos droit dans une position corporelle forte.
- Utilisez le moment du rebond en vous aidant d'une pression des mains pour revenir en position debout.
- Une fois la technique maîtrisée à cette hauteur, essayez de sauter un peu plus haut, mais n'oubliez pas de contrôler toujours votre hauteur.

IMPORTANT : Veuillez consulter un instructeur de trampoline formé avant d'essayer de passer à des techniques plus avancées afin d'assurer un niveau de sécurité le plus élevé possible.

TECHNIQUES AVANÇÉES

TECHNIQUE AVANÇÉE 1 : le saut de base



- Commencez par un saut de base, bas (TECHNIQUE DE BASE 1) en position normale.
- Atterrissez sur vos mains et genoux en même temps, assurez-vous de maintenir le dos horizontalement au tapis de saut, les mains et jambes écartés de la largeur des épaules.
- Utilisez le moment du rebond et poussez avec vos mains pour repasser en position verticale.
- Une fois la technique maîtrisée à cette hauteur, essayez de sauter un peu plus haut, mais n'oubliez pas de contrôler toujours votre hauteur.
- Essayez de passer à l'étape supérieure une fois cette technique bien maîtrisée.

TECHNIQUE AVANÇÉE 2 : Mains et genoux en tomber plat-ventre

- Atterrissez sur vos mains et genoux en même temps, assurez-vous de maintenir le dos horizontalement au tapis de saut, les mains et jambes écartés de la largeur des épaules.
- Maintenez une position corporelle ferme, le dos à l'horizontale et les jambes tendues et pliez les bras face au visage à mi-air, prêt à atterrir sur le tapis en position allongée.
- Assurez-vous que l'atterrissage se fasse avec la moitié du corps touchant le tapis en même temps.
- Poussez sur les mains et repassez en position verticale.
- Une fois la technique maîtrisée à cette hauteur, essayez de sauter un peu plus haut, mais n'oubliez pas



TECHNIQUE AVANÇÉE 3 : Le tomber plat-ventre



- Commencez par un saut de base, bas (TECHNIQUE DE BASE 1) en position normale.
- Maintenez une position corporelle solide, le dos à l'horizontale et les jambes tendues et pliez les bras face au visage à mi-air, prêt à atterrir sur le tapis en position allongée.
- Assurez-vous que l'atterrissage se fasse avec la moitié du corps touchant le tapis en même temps.
- Poussez sur les mains et repassez en position verticale.
- Une fois la technique maîtrisée à cette hauteur, essayez de sauter un peu plus haut, mais n'oubliez pas de contrôler toujours votre hauteur.

IMPORTANT : Si vous souhaitez aller plus loin et apprendre d'autres techniques avancées pour trampoline, veuillez consulter un instructeur qualifié et agréé.

4.0 INFORMATIONS GÉNÉRALES

- Les écrous autobloquants et les vis conviennent uniquement pour une mise en place et doivent être remplacés après un démontage du trampoline et/ou du filet de sécurité.
- Le filet de sécurité a une durabilité limitée, remplacer après 2 ans d'utilisation.
- On recommande de placer les trampolines sur une surface plane et horizontale à au moins 3 m de distance d'autres superstructures ou barrières, par exemple d'un garage, d'une maison, de branches d'arbre, lignes de lavage ou câbles électriques.
- Le trampoline ne sera pas installé au-dessus de surfaces dures comme l'asphalte ou le béton.
- Remplacer les pièces défectueuses conformément à la recommandation du fournisseur.
- Les modifications au trampoline (par exemple l'ajout d'un accessoire) doivent être effectuées conformément à l'instruction du fournisseur.
- Assurez-vous que les attaches à crochet et boucle sont accrocher correctement lors de l'utilisation du trampoline!

5.0 ASSEMBLAGE DU TRAMPOLINE

CONSTRUCTION PAR ETAPES

Assemblage exclusivement confié à un adulte.

Pour assembler ce trampoline tout ce dont vous avez besoin est notre outil spécial de mise sous tension des ressorts fourni avec ce produit. Lorsqu'il n'est pas utilisé, ce trampoline peut facilement être démonté et stocké. **Veillez lire les instructions d'assemblage avant de commencer à assembler le produit.**

Veillez vous référer au tableau pour les descriptions des pièces et les numéros. L'instruction d'assemblage utilise ces descriptions et numéros comme référence .

Assurez-vous de posséder toutes les pièces listées. Si des pièces sont manquantes, veuillez contacter votre revendeur.

Au cours de l'assemblage, veuillez utiliser des gants pour protéger vos mains contre d'éventuels pincements. Une fois prêt à commencer, assurez-vous que vous avez suffisamment d'espace et un endroit propre et sec pour l'assemblage.

Vous trouverez les étapes d'installation au chapitre 5.0 (pages 124-134)

6.0 SOINS ET ENTRETIEN

Ce trampoline a été conçu et fabriqué dans les règles de l'art et avec des matériaux de qualité. Si un entretien correct est apporté, ce trampoline fournira des années d'exercice et de plaisir à tous les utilisateurs, tout en réduisant le risque de blessures. Veuillez suivre les directives énumérées ci-dessous :

Ce trampoline est conçu pour supporter un certain poids et un certain usage. Veuillez vous assurer que ce trampoline est utilisé par une seule personne à la fois. Lors de l'utilisation de ce trampoline, les utilisateurs devraient porter des chaussettes, des chaussons de gymnastique ou être pieds nus. Veuillez à ne PAS porter de chaussures de sport ou de ville lorsque vous utilisez ce trampoline. Afin d'empêcher le tapis du trampoline d'être endommagé ou sectionné, veuillez ne pas autoriser les animaux domestiques sur le tapis. Les utilisateurs ne devraient également porter aucun objet coupant avant d'utiliser le trampoline. Tous les objets pointus ou coupant devraient toujours rester à l'écart du trampoline.

Instructions d'entretien

Assurez-vous d'effectuer les contrôles et l'entretien des pièces principales (cadre, système de suspension, tapis, rembourrage et filet de sécurité) au début de chaque saison et également à intervalles réguliers toutes les 2 semaines. Si ces contrôles ne sont pas effectués, le trampoline pourrait devenir dangereux!

- Il est nécessaire de déterminer si tous les écrous et boulons sont bien serrés ;
- Vérifier que tous les raccords à ressort (goupilles de verrouillage) sont intacts et ne se déplacent pas lorsque le trampoline est utilisé ;
- Tous les capuchons de vis et les bords pointus doivent être vérifiés et remplacés au besoin ;
- Le manuel d'entretien sera conservé

Inspectez toujours le trampoline avant chaque usage, pour détecter d'éventuelles pièces tordues, endommagées ou manquantes. Plusieurs circonstances peuvent augmenter la probabilité d'accidents. Veuillez faire attention aux :

- Crevaisons, trous ou déchirures dans le tapis de trampoline
- Fléchissement du tapis de trampoline
- Couture défectueuse ou quelconque détérioration du tapis de saut
- Pièces du châssis tordues ou cassées, comme les pieds
- Ressorts cassés, manquants ou endommagés
- Rembourrage du châssis manquant ou mal attaché
- Pièces saillantes (surtout coupantes) sur le châssis, ressorts ou tapis de saut

SI VOUS CONSTATEZ UNE DES CIRCONSTANCES PRÉCÉDENTES OU UNE QUELCONQUE CONDITION QUI POURRAIT, SELON VOUS, CAUSER DES DOMMAGES A UN QUELCONQUE UTILISATEUR, LE TRAMPOLINE DEVRAIT ÊTRE DÉSASSEMBLÉ OU SÉCURISÉ POUR EMPÊCHER SON UTILISATION JUSQU'À CE QUE LA/LES CONDITIONS SOIT RÉSOUES.

CONDITIONS VENTEUSES

Dans des conditions de grand vent, le trampoline peut s'envoler. Si vous présentez des conditions venteuses, déplacez le trampoline dans un endroit abrité ou démontez-le. Une autre option est d'attacher la portion ronde, extérieure (châssis supérieur) du trampoline au sol, en utilisant des cordes et des poteaux. Pas sécurité, au moins trois (3) attaches devraient être utilisées.

DÉPLACEMENT DU TRAMPOLINE

Si vous avez besoin de déplacer le trampoline, deux personnes devraient être mises à contribution. Tous les points des connecteurs devraient être enveloppés de manière sécurisée avec du ruban adhésif résistant aux intempéries, comme le « duct tape ». Cela maintiendra le châssis intact pendant le déplacement et empêchera les points de connecteurs de se défaire et de se séparer. Lors du déplacement, soulevez légèrement le trampoline du sol et gardez-le horizontalement. Pour tout mouvement d'un autre type, il vous faut désassembler le trampoline.

HIVER

Dans certains pays pendant la période hivernale, la charge de neige et la très basse température peuvent endommager le trampoline. Il est recommandé d'enlever la neige et de stocker le tapis et le filet de sécurité à l'intérieur.

7.0 Garantie

1. Le propriétaire du Trampoline EXIT PeakPro bénéficie d'une garantie après la date d'achat:
 - de 10 ans sur la rupture du châssis
 - de 5 ans sur les ressorts
 - de 2 ans sur les bords de protection et sur le tapis de saut
 - de 2 ans sur le déchirement du filet
2. La garantie s'applique uniquement vis-à-vis des vices de construction et des vices matériels de ce produit ou des pièces de ce produit.
3. La garantie s'annule lorsque:
 - Ce produit est utilisé incorrectement et/ou avec négligence et non conformément à ce pour quoi il a été destiné.
 - Ce produit n'a pas été assemblé et entretenu conformément au carnet d'instructions.
 - Les réparations techniques sur ce produit n'ont pas été effectuées de manière compétente.
 - Les pièces montées plus tard ne correspondent pas aux spécifications techniques du produit concerné, ou sont montées de manière inexacte.
 - Les défauts liés aux influences climatologiques, comme la rouille, le rayonnement UV ou l'altération normale.
 - Le produit est utilisé pour la location ou est mis, d'une autre manière, à la disposition de plusieurs personnes non spécifiées.
4. Pendant la période de garantie, tous les vices de construction ou les vices matériels constatés par EXIT Toys seront réparés ou remplacés, selon le choix de EXIT Toys.
5. Le propriétaire du Trampoline EXIT Toys peut seulement prétendre à la garantie en proposant le produit à l'inspection auprès d'un distributeur EXIT Toys. La facture d'achat originale doit être remis au distributeur EXIT Toys.
6. En cas de vice de construction ou de vice matériel de EXIT Toys, le produit ou les pièces du produit sera/seront réparé(es) ou remplacé(es) gratuitement, selon le choix de EXIT Toys, pendant la période de garantie précitée à l'article 1.
7. Si la demande de garantie n'est pas justifiée, tous les frais encourus sont à la charge du propriétaire.
8. La garantie n'est pas transmissible aux tiers.
9. Le Trampoline est conçues pour un usage privé. Il est interdit de louer les trampolines ou de les placer dans des lieux publics comme des écoles ou des crèches. En cas de location ou d'utilisation dans des lieux publics, toute garantie ou autre responsabilité tombe.

1.0 INTRODUCTION

Tillykke med valget af EXIT PeakPro!

Hav det sjovt, vær aktiv og spil udendørs.....

Det er hvad der driver os til at udvikle innovativt kvalitetslegetøj til seje børn.

Vi gør alt for at udvikle sikre produkter til børn. Da vores produkter er klassificeret som legetøj, overholder vi de skrappeste forbrugersikkerhedsbestemmelser. Før vi lancerer vores produkter på markedet, udfører vi uafhængige tests for certificering. Vi udfører også løbende tests af vores produktionsserier og med jævne mellemrum har vi uafhængige tests, der udføres igen som en yderligere kontrol. Kun produkter der lever op til den højeste EXIT legetøjsstandard bliver taget med og anerkendt af EXIT-brandet.

“Vi vil gerne takke dig for dit brug af og din tillid til dette produkt. Vi er sikre på, at dine børn vil have lige så meget sjov med det, som vi havde under udviklingen. Da vi er open-minded sætter vi virkelig pris på alle kommentarer og ideer, som vil hjælpe os med at forbedre vores produkter eller udvikle nye. Vi inviterer dig til at sende dine ideer til os på info@exittoys.com”

Besøg www.exittoys.com og oplev flere seje nye produkter.

EXIT Toys teamet

2.0 RETNINGSLINJER FOR SIKKER BRUG

Hvis du anvender dette produkt som anført, vil dette fjerne stort set alle farer. Dog skal du huske på, at børn har en naturlig trang til at lege, og at dette kan medføre uforudsete farlige situationer, for hvilke producenten ikke kan gøres ansvarlig. Lær dine børn, hvordan man bruger produktet og udpeg de mulige farer for dem.

Før samling og før produktet anvendes læs venligst og overhold nærværende advarsler:



ADVARSEL om undgåelse af alvorlige ulykker



- Læs og forstå manualen før anvendelse.
- ADVARSEL: Kun til hjemme- og udendørs brug.
- ADVARSEL: KVÆLNINGSFARE! - Små dele. Ikke for børn under 3 år.
- Beskyt børn
 - Undgå fald og kvælning
 - Gå altid kun ud gennem døren og vær forsigtig.
 - Hjælp små børn ind og ud af sikkerhedsnettet.
- ADVARSEL: Kun én bruger ad gangen; fare for kollision!
- ADVARSEL: Udfør ikke saltomortaler eller andre svære spring!
- ADVARSEL: Tøm lommerne, før du anvender trampolinen!
- Fortsat opsyn af en voksen om nødvendigt.
- For at forhindre snubleulykker, anvend ikke trampolinen, når den er våd.
- ADVARSEL: Trampolinen skal samles af en voksen i overensstemmelse med samleinstruktionerne og derefter kontrolleres før den tages i brug.
- I tilfælde af manglende eller ødelagte dele, kontakt venligst forhandleren for hjælp.
- ADVARSEL: Spis ikke, mens du hopper.
- Vi er ikke ansvarlige for nogen skader, der måtte opstå, i forbindelse med brug af trampolinen.
- ADVARSEL: Ændringer foretaget af kunden på den originale trampolin (fx tilføjelse af tilbehør) skal udføres i henhold til instruktionerne fra producenten.
- Trampolinen er ikke tiltænkt at skulle nedgraves i jorden.
- Maksimal brugervægt: 13.12.15.00: 130 kg

2.1 Advarsler om sikker anvendelse:

- FØR DU BEGYNDER AT ANVENDE DIN TRAMPOLIN: Læs og forstå informationerne i denne manual. Som ved alle sportsgrene og aktiviteter er der risiko for at deltagerne får en skade. For at sikre din fremtidige fornøjelse og for at forhindre ulykker, sørg for at følge passende sikkerhedsregler og tips.
- SPØRG ALTID EN DOKTOR/LÆGE, FØR DER UDFØRES NOGEN FYSISKE AKTIVITETER.
- KONTROLLÉR ALTID DIN TRAMPOLIN FØR BRUG OG ISÆR ALLE BOLTE, DUGEN OG POLSTRINGENS POSITION. ANVEND DEN IKKE, HVIS NOGEN DEL MANGLER ELLER SER SLIDT ELLER BESKADIGET UD.
- SØRG ALTID FOR, AT TRAMPOLINEN KUN ANVENDES AF ÉN PERSON AD GANGEN.
- SØRG ALTID FOR, AT DER ER SUPERVISION, HVIS TRAMPOLINEN ANVENDES AF NOGEN PÅ ETHVERT NIVEAU.
- Stands straks, hvis du føler dig dårlig eller, hvis du få smerter i led eller muskler. Svimmelhed er et tegn på træthed, og du skal stoppe med at hoppe og lægge dig ned på jorden, hvis du føler dig svimmel.
- Når trampolinen bruges sørg for at anvende passende tøj, helst sportstøj og sokker. BÆR ALDRIG SKO PÅ OVERFLADEN.
- Vær venligst opmærksom på, at trampoliner anvender fjedre og at brugeren vil hoppe højere, end på jorden, så husk venligst at sørge for, at starter med at hoppe til mindre højder.
- Korrekt samling, pleje og vedligeholdelse af produkt, sikkerhedstips, advarsler og korrekt teknik for brugen af trampolinen er inkluderet i denne manual for din sikkerheds skyld og for lang levetid for produktet. Alle brugere og supervisors skal derfor gøre sig bekendt med disse instruktioner. Alle, der beslutter at anvende trampolinen, skal være klar over deres egen begrænsning med hensyn til egne færdigheder på trampolinen.
- Trampolinen skal samles på græs eller BSI-godkendt sikkerhedsmåtte.
- Dette produkt er kun tiltænkt anvendelse i hjemmet.
- Flytning af trampolinen. Hvis trampolin og tilbehør skal flyttes, skal den flyttes af to personer og holdes vandret samt let løftet. Om nødvendigt kan trampolin og tilbehør adskilles for flytningen. For at adskille trampolinen følge trinnene for samlingen i modsat rækkefølge.
- ADVARSEL Kontrollér produktet før og efter, den er anvendt. Især følgende dele – for beskadigelse og slid:
 - hoppeflade
 - sikkerhedsnet
 - polstring og fastgøring
 - fjedre og deres fastgøring

2.2 Anvendelse af trampolinen

FØRST, skal du gøre dig bekendt med din trampolin og forstå, hvor meget højde fjedrene giver i hvert hop. Fokus på dette tidspunkt skal være på krosplassering og teknik, før hver færdighed kan udføres med lethed og kontrol.



- FØR DU HOPPER FOR HØJT skal teknikken for at standse være indlært, da dette vil kunne forhindre ulykker, hvis du føler at anvendelsen kommer ud af kontrol.
- Når brugeren lander på overfladen, skal knæene være bøjet, så de standser og absorberer fjedringen i overfladen. Positionen er vist på billedet til venstre. Armene skal holde ud til siden for at forøge balancen.
- Denne færdighed anvendes, når trampolinbrugeren ønsker at standse anvendelse af trampolinen på grund af træthed, tab af kontrol og lignende.



SALTOMORTALER (KOLDBØTTER): UDFØR IKKE saltomortaler af nogen art (fremad eller bagud) på denne trampolin. Hvis du begår en fejl, når du forsøger at slå en saltomortale, kan du lande på hovedet eller på nakken. Det vil forøge risikoen for at brække nakke eller ryg, hvilket kan resultere i død eller lammelse.



FREMMEDELEGEMER : ANVEND IKKE: Trampolinen i nærheden af dyr, andre mennesker eller genstande under trampolinen. Dette vil øge risikoen for at der sker ulykker, HOLD IKKE noget fremmedlegeme i hånden og læg IKKE nogen genstande på trampolinen, når den er i brug. PLACER IKKE trampolinen under noget, der hænger ned, såsom grene, ledninger og lignende, da dette vil forøge risikoen for, at du kommer til skade.



DÅRLIG VEDLIGEHOLDELSE AF TRAMPOLINEN: En trampolin i dårlig stand vil forøge risikoen for at du kommer til skade. Kontrollér venligst trampolinen før anvendelse for bøjede stålrør, itureven dug, løse eller manglende fjedre og den overordnede stabilitet for trampolinen.



VEJRFORHOLD: Vær venligst opmærksom på vejrforholdene, når trampolinen anvendes. Anvend ikke trampolinen, når den er våd. Hvis det er meget blæsende, kan brugeren miste kontrollen.



BEGRÆNS ADGANGEN: Når trampolinen ikke anvendes, skal trappen altid opbevares et sikkert sted, så børn ikke får mulighed for at lege på trampolinen uden opsyn.

2.3 Tips til reducere af risiko for ulykker



For at mindske risikoen for "TRAMPOLINBRUGEREN" skal man:

- altid have kontrol over spring og krosposition.
- ikke at forsøge at udføre spring, der ligger over eget niveau.
- læse og forstå springet, at der sættes af og landes i midten af trampolinen.
- altid kontrollere springet ved at sætte af og lande i midten af trampolinen.
- altid springe lodret og afstå fra at springe mod fjedrene i alle retninger.
- altid spørge en certificeret trampolininstruktør, inden der forsøges spring, der ligger over de grundlæggende teknikker.

For at reducere risikoen for ulykker skal "SUPERVISOR":

- forstå at håndhæve sikkerhedsregler og vejledning fuldstændigt.
- råde trampolinbrugeren og undervise i, hvad de gør rigtigt og forkert for at sikre trampolinbrugeren sikkerhed.
- være klar over og råde trampolinbrugeren om alle sikkerhedsadvarsler.

VIGTIGT: Hvis trampolinen ikke kan overvåges skal der være en sikkerhedsforanstaltning, der forhindrer andre i at anvende produktet, indtil supervisoren er tilgængelig.

2.4 Trampolinen sikkerhedsanvisninger

RÅDGIVENDE FORHOLDSREGLER MENS TRAMPOLINEN ANVENDES



- Anvend ikke trampolinen, hvis du har indtaget alkohol eller narkotiske stoffer.
- Du skal klatre op og ned fra trampolinen på en kontrolleret og forsigtig måde. Hop aldrig op eller ned fra trampolinen og anvend aldrig trampolinen som et middel til at hoppe op på andre ting.
- Lær altid de grundlæggende hop og kontrollér hver type, før du går videre til vanskeligere hop. Læs afsnittet om grundlæggende færdigheder for at lære det grundlæggende.
- For at standse hoppet, bøj i knæene, når du lander på fødderne.
- Bevar altid kontrollen, når du hopper på trampolinen. Et kontrolleret hop er at lande på samme sted, som du satte af. Hvis du på noget tidspunkt føler, at du ikke har kontrol over hoppet, skal du standse øjeblikkeligt.
- Spring eller hop ikke med høje hop over længere tid. Hold øje med dugen og at bevare kontrollen. Hvis du ikke gør dette, kan du miste balancen.
- Vær aldrig mere end 1 person på trampolinen ad gangen.

RÅDGIVERENS SIKKERHEDSANVISNING UNDER SUPERVISIONEN AF TRAMPOLINEN

VIKTIGT: Gør dig bekendt med de grundlæggende hop og sikkerhedsregler. For at forhindre og reducere risikoen for skader sørg for, at alle sikkerhedsregler håndhæves og at nye brugere lærer de grundlæggende regler, før de forsøger sig med avancerede teknikker.

- ALLE BRUGERE skal være under opsyn, uanset færdighedsniveau og alder.
- Anvend aldrig trampolinen, når den er våd, beskadiget, snavset eller slidt op. Trampolinen skal inspiceres før brug.
- Hold til enhver tid alle genstande, der vil kunne forstyrre brugen, væk fra trampolinen. Vær klar over, hvad der er ovenpå, nedenunder og rundt om trampolinen.
- For at forhindre anvendelse uden opsyn og uautoriseret brug skal trampolinen altid være sikret.

2.5 Ulykkeklassificering & identifikation



MONTERING OG AFMONTERING:

Vær meget forsigtig, når du går op på og ned fra trampolinen. Gå IKKE op på trampolinen ved at tage fat i polstringen, stå på fjedrene eller springe op på trampolinens dug fra nogen genstand (fx dæk, tag eller stige). Dette anses for meget farligt. Spring IKKE ned fra trampolinen for at lande på jorden. Hvis små børn leger på trampolinen skal de måske have hjælp til at komme op og ned.



BRUG AF ALKOHOL ELLER STOFFER:

Indtag IKKE alkohol eller stoffer (dette inkluderer medicin, der kan påvirke brugerens koordinationsans), når trampolinene anvendes. Dette anses for meget farligt, fordi disse stoffer har indflydelse på dømmekraft, reaktionstid og generelle fysiske koordinering.



FLERE BRUGRE:

Kun én bruger ad gangen; fare for kollision!



AT RAMME FJEDERRAMMEN:

Når der leges på trampolinen, BLIV i midten af trampolinens dug. Dette vil mindske risikoen for skader, hvis man rammer fjederrammen. Sørg altid for, at rammepolstringen er på plads på trampolinens ramme. Hop IKKE eller træng ikke ud på rammen direkte, da den ikke er tiltænkt at skulle bære vægten af en person.



KONTROLTAB:

Forsøg IKKE svære manøvre, før du mestrer det grundlæggende. Hvis du ikke følger disse retningslinjer, forøger du risikoen for at komme til skade.

ADVARSEL: Tag en pause hver 10. minut.

3.0 TRAMPOLINTEKNIKKER

GRUNDLÆGGENDE FÆRDIGHEDER

GRUNDLÆGGENDE FÆRDIGHEDER 1: Hop



- Start fra stående position med fødderne langt fra hinanden, hovedet opad og øjnene på trampolinens dug.
- Sving armene fremad og op over hovedet i en cirkulær bevægelse.
- Saml ben og fødder i springposition og stræk fødderne ud.
- Land igen på dugen med fødderne langt fra hinanden (samme position som starten).
- Forsøg dig med næste trin, når du er komfortabel og kan dette.

GRUNDLÆGGENDE FÆRDIGHEDER 2: Knæfald

- Start med et lavt grundlæggende hop (som beskrevet i GRUNDLÆGGENDE FÆRDIGHEDER 1).
- Land på knæene med spredte knæ mens ryggen holdes ret og i en stærk kropsholdning ved hjælp af armene, der holdes ud til siden for at holde balancen.
- Spring tilbage til grundpositionen ved hjælp af hoppet og med armene over hovedet.
- Når du kan ved lav højde, forsøg med lidt højere spring, men husk altid at have kontrollen.



GRUNDLÆGGENDE FÆRDIGHEDER 3: Sædefald



- Start med et lavt grundlæggende hop (GRUNDLÆGGENDE FÆRDIGHEDER 1) i normal position.
- Land med benene strakt ud foran dig og hænderne på hoften med ryggen ret i en stærk kropsholdning.
- Spring tilbage ved hjælp af hoppet og et skub med hænderne til stående position.
- Når du kan ved lav højde, forsøg med lidt højere spring, men husk altid at have kontrollen.

VIGTIGT: Kontakt venligst en uddannet trampolininstruktør, før der anvendes nogen avancerede færdigheder for at sikre det højeste mulige sikkerhedsniveau.

AVANCEREDE FÆRDIGHEDER

AVANCEREDE FÆRDIGHEDER 1: Grundlæggende hop



- Start med et lavt grundlæggende hop (GRUNDLÆGGENDE FÆRDIGHEDER1) i normal position.
- Land på hænder og knæ samtidig, idet det sikres, at ryggen er i vatter med hoppedugen, og at hænder og fødder er spredt.
- Brug kraften fra hoppet og skub fra med hænderne for at genvinde stående position.
- Når dette mestres ved denne højde, forsøg at hoppe lidt højere, men husk altid at bevare kontrollen.
- Forsøg dig med næste trin, når du er komfortabel og kan dette.

AVANCEREDE FÆRDIGHEDER 2: Hænder og knæ i knæfald

- Land på dine hænder og knæ samtidig, idet det sikres at ryggen er i vatter med hoppedugen, og at hænder og fødder også er spredt.
- Bevar en stærk kropsholdning med ryggen vandret på dugen og hænder og knæ bøjede for at lande på dugen for at lande på hænder og knæ.
- Sørg for at landingen på dugen sker med hænder og knæ samtidig.
- Skub fra med hænderne og genvind stående position.
- Når dette mestres ved denne højde, forsøg at hoppe lidt højere, men husk altid at bevare kontrollen. Forsøg dig med næste trin, når du er komfortabel og kan dette.



AVANCEREDE FÆRDIGHEDER 3: Liggende landing



- Start med et lavt spring (GRUNDLÆGGENDE FÆRDIGHEDER 1) i normal position.
- Bevar en stærk kropsholdning med ryggen vandret på dugen og stræk benene bagud og fold armene foran ansigtet for at lande på dugen i liggende stilling.
- Sørg for at lande på dugen med hele kroppen samtidig.
- Skub fra med hænderne og genvind stående position.
- Når dette mestres ved denne højde, forsøg at hoppe lidt højere, men husk altid at bevare kontrollen.

VIGTIGT: Ønsker du at fortsætte og lære flere avancerede teknikker på trampolinen, kontakt venligst en kvalificeret og registreret instruktør.

4.0 GENEREL INFORMATION

- Det er ikke nødvendigt at tage trampolinen ned for vinteren.
- Selvsikrende møtrikker og skruer er kun egnet til anvendelse under opsætningen og skal udskiftes efter nedtagning af trampolinen og/eller sikkerhedsnet.
- Safetynet har en begrænset holdbarhed, udskiftes efter 2 års brug.
- Det anbefales at placere trampolinen på en flad og plan overflade med mindst 2 meters afstand til andre overbygninger eller barrierer, fx hegn, garage, hus, trægrene, vasketøjsnøre eller elektriske ledninger.
- Trampolinen må ikke placeres på hårdoverflader, såsom asfalt, beton m.v.
- Udskift defekte dele i henhold til leverandørens anbefalinger.
- Ændringer af trampolinen (fx tilføjelse af tilbehør) skal ske i henhold til leverandørens instruktioner.

5.0 SAMLING AF TRAMPOLINEN

TRIN FOR TRIN SAMLING

Må kun samles af en voksen.

For at samle denne trampolin, skal du anvendes vores specielle værktøj til monteringen af fjedrene, der er medleveret dette produkt. Når produktet ikke anvendes, kan denne trampolin nemt adskilles og opbevares. **Læs venligst samleinstruktionerne før produktet samles.**

Se venligst tabellen over delenes beskrivelse og antal. Denne samleinstruktion anvender disse beskrivelser og antal som reference.

Sørg for, at du har alle de dele, der er oplistet. Mangler du nogen dele, kontakt venligst forhandleren.

Anvend venligst handsker til at beskytte dine fingre mod at blive klemt under samlingen. Når du er klart til at begynde sørg for, at du har plads og et rent, tørt område til samlingen.

Du kan finde installationsvejledningen i kapitel 5.0 (side 124-134)

6.0 PLEJE OG VEDLIGEHOELDELSE

Denne trampolin er designet og fremstillet med kvalitetsmaterialer og i godt håndværk. Hvis der ydes korrekt pleje og vedligeholdelse, vil det give alle hoppere mange års træning, sjov og nydelse samt mindske risikoen for skader. Følg venligst nedenstående retningslinjer:

Denne trampolin er designet til at kunne modstå en vis vægt og brug. Sørg for, at kun én person bruger trampolinen ad gangen. Hopperne skal enten bære strømper, gymnastiksko eller være barfodet, når trampolinen anvendes. Vær opmærksom på at kondisko eller tennis sko IKKE bør bæres på trampolinen. For at forhindre, at trampolinens dug bliver skåret eller beskadiget, skal du ikke tillade, at der er kæledyr på måtten. Desuden bør hopperne fjerne alle skarpe genstande fra deres tøj, før trampolinen anvendes. Alle former for skarpe eller spidse genstande skal altid holdes væk fra trampolindugen.

Vedligeholdelsesinstruktioner

Det er især vigtigt at følge vedligeholdelsesinstruktionerne i begyndelse af hver sæson og periodisk i gennem sæsonen:

- Det er nødvendigt at efterse, at alle møtrikker og bolte er stramme, og om nødvendigt stramme dem;
- Det skal verificeres, at alle fjedrelastede forbindelser (låseps) er ubeskadiget og ikke flytter sig under leg;
- Enhver dækskrue og skarp kant skal kontrolleres og udskiftes, om nødvendigt;
- Vedligeholdelsesmanualen skal opbevares.

Inspicér altid trampolinen før anvendelse for slid, ødelæggelse eller manglende dele. Nogle forhold kan forøge risikoen for, at du kan blive skadet. Vær venligst klar over:

- Punkteringer, huller eller revner i trampolindugen
- Hængende trampolindug
- Løse syninger eller enhver forringelse i dugen
- Bøjede eller beskadigede rammedele, såsom et ben
- Brækkede, manglende eller beskadigede fjedre
- Beskadigede, manglende eller usikker vedhæftning af rammepolstring
- Fremspring af alle typer (især skarpe) på ramme, fjedre eller dug

HVIS DU SER NOGEN AF DE TIDLIGERE NÆVNTE FORHOLD ELLER NOGET ANDET, DU FØLER KAN FORÅRSAGE SKADER PÅ EN BRUGER, SKAL TRAMPOLINEN SKILLES AD ELLER BRUGEN HERAF SKAL SPÆRRES, INDTIL FORHOLDET / FORHOLDENE ER UDBEDRET

VINDFORHOLD

Under dårlige vejrforhold kan trampolinen blive blæst rundt. Hvis du forventer blæst, bør trampolinen flyttes til et beskyttet område eller skilles ad. En anden mulighed er at fastgøre den ydre del (øverste ramme) til jorden ved hjælp af reb eller stænger. Sikringen skal mindst været fastgjort med tre (3) forbindelser.

FLYTNING AF TRAMPOLINEN

Hvis du har brug for at flytte trampolinen, skal der være 2 mennesker om det. Alle ramme-forbindelser skal sikres med vejrbestandig tape, fx gaffatape. Dette vil holde rammen intakt under flytningen og forhindre, at forbindelsespunkterne adskilles. Under flytningen, løft trampolinen lidt fra jorden og hold den vandret med jorden. Ved enhver anden transportform skal trampolinen skilles ad.

7.0 GARANTI

1. Jfr. datoen for købskvitteringen har køber af EXIT PeakPro:
 - 10 års garanti ved brud på rammen
 - 5 års garanti på fjedrene
 - 2 års garanti på den beskyttende polstring og hoppedugen
 - 2 års garanti på netoprivning
2. Garantien gælder kun for materiale- og konstruktionsfejl med hensyn til dette produkt og dets komponenter.
3. Garantien bliver ugyldig, hvis:
 - Dette produkt anvendes ukorrekt og/eller skødesløst og på en sådan måde, at det ikke er i overensstemmelse med dets formål.
 - Hvis produktet ikke er samlet eller vedligeholdes i henhold til instruktionsvejledningen.
 - Der foretages tekniske reparationer på produktet, der ikke er udført professionelt.
 - Dele, som er monteret efterfølgende, ikke overholder de tekniske specifikationer for det pågældende produkt eller ikke er monteret korrekt.
 - Defekter, der er et resultat af klimatiske påvirkninger, såsom korrosion, UV-stråling eller normal opløsning.
 - Produktet lejes ud eller gøres tilgængelig for forskellige ukendte mennesker på enhver anden måde.
4. EXIT Toys vil reparere eller udskifte alle materiale- eller konstruktionsfejl efter eget valg, der bliver konstateret inden for EXIT Toys' garantiperiode.
5. Ejeren af EXIT Toys Trampoline er kun berettiget til garantien efter at have vist den til en EXIT Toys forhandler. Den skal afleveres til en EXIT Toys forhandler sammen med den originale købsfaktura.
6. I tilfælde af materiale- og konstruktionsfejl, der er blevet konstateret af EXIT Toys, vil produktet eller komponenterne blive repareres eller udskiftet – efter deres valg – gratis i garantiperioden, der er anført i Artikel 1.
7. Hvis garantikravet ikke er berettiget, vil alle reparationer ske for ejers regning.
8. Denne garanti kan ikke overføres til tredjepart.
9. Trampolinen er designet til personligt brug. Det er ikke tilladt at udleje eller placere trampolinen på offentlige områder, såsom på skoler eller i daginstitutionen. Garanti og alle øvrige forpligtelser bliver ugyldige, hvis trampolinen udlejes eller anvendes offentligt.

1.0 Úvod

Blahopřejeme vám k rozhodnutí vybrat si trampolínu EXIT PeakPro!

Bavit se, být aktivní a hrát si venku.....

Právě to nás motivuje tvořit inovativní, kvalitní hračky pro skvělé děti.

Děláme maximum, abychom mohli vyvíjet bezpečné výrobky pro děti. Protože jsou naše produkty klasifikovány jako hračky, plníme nejpřísnější bezpečnostní normy na ochranu spotřebitele. Před uvolněním svých produktů na trh vykonáváme nezávislé testy za účelem certifikace. Zároveň průběžně testujeme naše výrobní postupy a pravidelně podstupujeme nezávislé testy jako další kontrolu. Pouze produkty, které odpovídají nejvyšším standardům EXIT Toys, jsou opatřovány značkou EXIT a uznávány za její produkt.

„Děkujeme vám za vaši přízeň a důvěru v tento výrobek. Jsme přesvědčeni, že se vaše děti budou bavit stejně, jako jsme se při vývoji výrobku bavili my. Nasloucháme jiným názorům, a proto opravdu oceníme všechny komentáře a nápady, které nám pomohou zlepšit naše produkty nebo vyvinout nové. Vaše nápady rádi uvítáme na e-mailové adrese info@exit-toys.com“

Navštivte prosím web www.exittoys.com a objedvejte další úžasné nové produkty. Váš tým EXIT Toys

2.0 POKYNY PRO BEZPEČNÉ POUŽITÍ

Budete-li svou trampolínu používat v souladu s touto příručkou, vyloučíte tím prakticky všechna rizika. Mějte však prosím na paměti, že děti mají přirozené nutkání k různému hraní a to může vést k nepředvídaným nebezpečným situacím, za něž výrobce nemůže nést odpovědnost. Naučte své děti používat tento výrobek a upozorněte je na možná nebezpečí.

Než náš výrobek sestavíte a začnete jej používat, přečtěte si prosím tato hlavní varování a řiďte se jimi:



VAROVÁNÍ

Pro prevenci vážných zranění:



- Před použitím si musíte přečíst a pochopit návod k použití.
- VAROVÁNÍ: Pouze pro domácí a venkovní použití.
- VAROVÁNÍ: RIZIKO UDUŠENÍ!
- Obsahuje malé části. Nevhodné pro děti mladší 3 let.
- VAROVÁNÍ: Trampolínu smí používat vždy jen jedna osoba; jinak hrozí kolize!
- VAROVÁNÍ: Neskákejte salta ani jiné složité skoky!
- VAROVÁNÍ: Před skákáním vyprázdněte kapsy a ruce!
- VAROVÁNÍ: Je nutný nepřetržitý dohled dospělé osoby.
- VAROVÁNÍ: Trampolínu nepoužívejte za mokra.
- VAROVÁNÍ: Trampolínu musí sestavovat dospělá osoba, v souladu s montážními instrukcemi a před prvním použitím je nutno trampolínu důkladně zkontrolovat.
- VAROVÁNÍ: Během skákání nejezte.
- VAROVÁNÍ: Skákejte vždy uprostřed odrazové plochy.
- VAROVÁNÍ: Než se začne skákat, vždy uzavřete síťovaný vchod.
- VAROVÁNÍ: Za silného větru trampolínu nepoužívejte a zabezpečte ji.
- VAROVÁNÍ: Trampolínu neopouštějte skokem.
- VAROVÁNÍ: Vyhýbejte se dlouhým dobám nepřetržitého používání (dělejte pravidelné přestávky).
- VAROVÁNÍ: Skákejte bez bot.
- Max. hmotnost uživatele: 13.12.15.00: 130 kg

2.1 Varovné pokyny pro bezpečné použití

- NEŽ SVOU TRAMPOLÍNU ZAČNETE POUŽÍVAT: Musíte si přečíst a pochopit informace uvedené v tomto návodu. Stejně jako u všech sportů a tělesných aktivit, také zde hrozí účastníkům riziko zranění. Abyste se z výrobku mohli radovat i do budoucna a předcházeli jste zraněním, musíte dodržovat vhodná bezpečnostní pravidla a tipy.
- Tento návod si ponechejte jako pomůcku do budoucna; obsahuje důležité informace.
- ZAHÁJENÍ JAKÉKOLI TĚLESNÉ AKTIVITY PŘEDEM OG POLSTRINGENS POSIKONZULTUJTE S LÉKAŘEM.
- ZKONTROLUJTE SVOU TRAMPOLÍNU PŘED KAŽDÝM POUŽITÍM, VĚNUJTE ZVLÁŠTNÍ POZORNOST POLOZE VŠECH ŠROUBŮ, ODRAZOVÉ MATRACI A POLSTROVÁNÍ. NEPOUŽÍVEJTE TRAMPOLÍNU, POKUD NĚKTERÉ JEJÍ SOUČÁSTI CHYBÍ NEBO JEVÍ ZNÁMKY OPOTŘEBENÍ NEBO JSOU POŠKOZENÉ.
- BEZ OHLEDU NA DOVEDNOSTI OSOB, KTERÉ TRAMPOLÍNU VYUŽÍVAJÍ, JE NUTNÉ ZAJISTIT NEUSTÁLÝ DOZOR ODPOVĚDNOU OSOBOU.
- Ihned přerušete cvičení, jestliže je vám nevolno nebo pociťujete bolest kloubů a svalů. Závrať je známkou únavy. Jestliže se vám točí hlava, přestaňte skákat a položte se na zem.
- Při používání trampolíny noste vhodný oděv, nejlépe sportovní oblečení a ponožky.
- Uvědomte si prosím riziko, že trampolína je určena ke skákání a umožňuje uživateli skákat do větší výšky než na zemi, tak to prosím mějte na paměti a nejprve se ujistěte, že dokážete bezpečně skákat do menší výšky.
- Řádné sestavení, péče a údržba produktu, bezpečnostní tipy, varování a řádné techniky skákání na trampolíně jsou do tohoto návodu zahrnuty pro vaši bezpečnost a prodloužení životnosti výrobku. Všichni uživatelé a dozorcující osoby by se proto měly seznámit s těmito instrukcemi. Každý, kdo se rozhodne trampolínu využívat, si musí být vědom svých vlastních omezení při uplatňování svých dovedností na této trampolíně.
- Trampolína by měla být nainstalována na trávě nebo na bezpečnostní podložce schválené firmou BSI. Trampolína by neměla být instalována na betonu, asfaltu nebo jiném tvrdém povrchu ani poblíž jiných objektů (např. bazénky, houpačky, skluzavky prolézačky)
- Přemísťování trampolíny. Jestliže potřebujete přemístit trampolínu a její bezpečnostní síť, měly by ji přenášet dvě osoby, držet ji ve vodorovné poloze a mírně nadzvednutou. Je-li to nezbytné, trampolínu a její bezpečnostní síť můžete před přemístěním demontovat. Trampolínu rozložíte, pokud budete postupovat podle montážního návodu, ale v opačném pořadí.
- Umístěte trampolínu na rovný povrch nejméně 2 metry od jakékoli konstrukce nebo překážky, jako jsou třeba plot, garáž, budova, převislé větve, prádelní šňůry nebo elektrické vedení.
- Jestliže vám nějaké díly chybí nebo jsou rozbité, požádejte o pomoc obchod, kde jste výrobek zakoupili.
- Spotřebitelem provedené úpravy původní trampolíny (např. přidání nějakého doplňku) musí být provedeny v souladu s návodem výrobce.
- Zříkáme se odpovědnosti za jakákoli zranění, která mohou nastat při používání trampolíny

2.2 Použití trampolíny

ZPOČÁTKU byste si na svou trampolínu měli zvyknout a pochopit, jak silný odraz potřebujete pro skákání. V této fázi je nejdůležitější soustředit se na polohu těla a techniku, než se naučíte každou dovednost ovládat snadno a s přehledem.



- NEŽ ZAČNETE SKÁKAT PŘÍLIŠ VYSOKO, měli byste se naučit, jak skákání zastavit: předejdete tím zraněním v situaci, kdy si uvědomíte, že ztrácíte kontrolu.
- Když uživatel dopadá na odrazovou matraci, kolena je potřebné pokrčit, aby odrazová plocha pohltila pohybovou energii a skákání se přerušilo. Poloha je znázorněna na obrázku vlevo. Pro zvýšení rovnováhy protáhněte ruce.
- Tato technika se používá, když si uživatel trampolíny přeje přerušit skákání kvůli únavě, ztrátě kontroly atd.



SALTA (KOTOULY): Na této trampolíně **NEDĚLEJTE** žádná salta (vpřed ani vzad). V případě chyby při saltu byste mohli upadnout na hlavu nebo krk. Při saltech se zvyšuje riziko úrazu hlavy a krku, které mohou způsobit smrt nebo ochrnutí.



CIZÍ PŘEDMĚTY: NEPOUŽÍVEJTE trampolínu, pokud pod ní jsou domácí zvířata, jiní lidé nebo jakékoliv předměty. Nerespektováním tohoto doporučení roste riziko úrazu. **NEDRŽTE** v ruce žádné cizí předměty a **NEUMISŤUJTE** žádné předměty na trampolíně během jejího použití. **NEUMISŤUJTE** trampolínu pod převislými předměty, jako jsou větve stromů, dráty atd., neboť se tím zvyšuje riziko zranění.



NEDOSTATEČNÁ ÚDRŽBA TRAMPOLÍNY: U trampolíny v špatném technickém stavu se zvyšuje riziko zranění. Před každým použitím trampolíny vás prosíme o její kontrolu: ohnuté ocelové trubky, natržené podložky, uvolněné nebo zlomené pružiny mohou ohrožovat celkovou stabilitu trampolíny.



POČASÍ: Varování. Za silného větru trampolínu nepoužívejte a zabezpečte ji. Při používání trampolíny prosím sledujte počasí. Trampolínu nepoužívejte za mokra. Jestliže je příliš větrno, uživateli hrozí ztráta kontroly.



OMEZENÍ PŘÍSTUPU: V době, kdy trampolínu nepoužíváte, přístupový žebřík vždy uchovávejte na bezpečném místě, aby si děti nemohly bez dozoru hrát na trampolíně.

2.3 Tipy pro snížení rizika úrazů



Jako „UŽIVATELÉ TRAMPOLÍNÝ“ byste pro snížení rizika úrazů měli:

- Stále udržovat pod kontrolou své skoky a polohu svého těla.
- Vyhýbat se všemu, co přesahuje vaše schopnosti.
- Mít svoje skoky promyšlené, odrážet se i dopadat uprostřed trampolíny.
- Ovládat své skoky tak, abyste se odráželi i dopadali uprostřed trampolíny.
- Varování. Stále skákejte uprostřed matrace. Stále skákejte svisle a vyhýbejte se odrazům směrem k pružinám v jakémkoli směru.
- Než se pokusíte o něco, co přesahuje základní techniky, nejprve to konzultujte s certifikovaným instruktorem skoků na trampolíně.

Pro snížení rizika úrazů by „SUPERVIZOR“ měl:

- Plně rozumět všem bezpečnostním pravidlům a vynucovat jejich dodržování.
- Radit uživatelům trampolíny a poskytovat jim informace o tom, co dělají správně i špatně, čímž má být zajištěna bezpečnost uživatelů trampolíny.
- Udržovat pozornost a informovat uživatele trampolíny o všech bezpečnostních varováních.
- Varování. Trampolínu neopouštějte skokem.

DŮLEŽITÉ: Jestliže trampolína nemůže být pod dohledem supervizora, musí existovat metoda pro její zabezpečení a také prevence proti tomu, aby někdo trampolínu používal v době, kdy je bez dozoru.

2.4 Bezpečnostní instrukce pro trampolínu

BEZPEČNOSTNÍ OPATŘENÍ PŘI POUŽÍVÁNÍ TRAMPOLÍNY



- Nepoužívejte trampolínu, jestliže jste pod vlivem alkoholu nebo uspávacích látek.
- Na trampolínu vstupujte a opět ji opouštějte bezpečně a opatrně. Nikdy na trampolínu nevstupujte skokem, ani ji nikdy skokem neopouštějte. Nikdy trampolínu nepoužívejte jako pomůcku, jak vyskočit na jiný objekt nebo do jiného objektu.
- Vždy se naučte základní skok a zdokonalujte všechny typy skoků, než se pustíte do těch složitějších. Projdete si část o základních skocích, abyste se je naučili skákat.
- Skákání přerušíte tím, že po dopadu nohou na podložku ohnete kolena.
- Na trampolíně mějte své skoky stále pod kontrolou. Kontrolovaný skok je takovým skokem, při němž dopadáte na stejné místo, kde jste se předtím odrazili. Máte-li pocit, že ztrácíte kontrolu, okamžitě přestaňte skákat.
- Neskákejte dlouho příliš vysoko. Dívejte se na matraci, abyste udrželi kontrolu. Když to neuděláte, mohli byste ztratit rovnováhu.
- Na trampolíně se nikdy nesmí vyskytovat více než jedna osoba. Riziko kolize.

BEZPEČNOSTNÍ OPATŘENÍ PŘI DOZORU NAD TRAMPOLÍNOU

DŮLEŽITÉ: Seznamte se se základními skoky a bezpečnostními pravidly. Abyste předcházeli zraněním, vymáhejte dodržování všech bezpečnostních pravidel a kontrolujte, že se noví uživatelé učí základní skoky dříve než pokročilé techniky.

- VŠICHNI UŽIVATELÉ musí být pod dohledem, bez ohledu na úroveň dovedností nebo věk.
- Trampolínu nikdy nepoužívejte v okamžiku, kdy je mokrá, poškozená, špinavá nebo opotřebovaná. Trampolínu je nutno před každým použitím zkontrolovat.
- Všechny předměty, které by při použití trampolíny mohly překážet, udržujte neustále v bezpečné vzdálenosti. Dávejte pozor na vše, co je nad trampolínou, pod ní i vedle ní.
- Abyste zabránili neoprávněnému použití a použití bez dozoru, trampolína by stále měla být zabezpečena.

2.5 Klasifikace a identifikace rizik



PŘÍCHOD A ODCHOD:

Budte velmi opatrní, pokud vstupujete na trampolínu nebo ji opouštíte.

Při vstupu na trampolínu se NEPŘIDRŽUJTE okrajů matrace, NESTOUPEJTE si na pružiny ani na trampolínu NESKÁKEJTE z jiného objektu (např. z terasy, střechy nebo žebříku). To by bylo velmi nebezpečné. Trampolínu NEOPOUŠTĚJTE skokem na zem. Když si s trampolínou hrají malé děti, mohly by potřebovat pomoc při lezení na matraci i při odchodu.



UŽITÍ ALKOHOLU NEBO DROG:

Trampolínu NEPOUŽÍVEJTE v době, kdy můžete být ovlivněni užitím alkoholu, drog nebo léků ovlivňujících koordinaci.

To by bylo velmi nebezpečné, neboť tyto látky narušují váš úsudek, reakční dobu a celkovou tělesnou koordinaci.



VÍCE UŽIVATELŮ:

Na trampolíně smí být vždy jen jeden uživatel; jinak hrozí kolize!



POHYB NA OKRAJI TRAMPOLÍNY:

Při hrách na trampolíně ZŮSTAŇTE uprostřed matrace. Tím snížíte riziko zranění při doskoku na rám s pružinami. Rám trampolíny vždy nechte zakrytý. NESKÁKEJTE ani NEVS-TUPOUJTE na rám trampolíny, neboť není určen k tomu, aby nesl váhu osoby.



ZTRÁTA KONTROLY:

NEZKOUŠEJTE složité cviky, dokud ještě neovládáte ty základní. Nedodržením těchto pokynů zvyšujete riziko zranění.

VAROVÁNÍ: Každých 10 minut udělejte přestávku.

3.0 TECHNIKA SKOKŮ NA TRAMPOLÍNĚ

ZÁKLADNÍ DOVEDNOSTI

ZÁKLADNÍ DOVEDNOST 1: Základní skok



- Začněte z polohy vstoje, rozkročené nohy mají stejnou vzájemnou vzdálenost jako ramena, hlava přibližně rovně a očima sledujte matraci.
- Rukama pohybujte dopředu a vzhůru nad hlavu krouživým pohybem.
- Uprostřed výskoku dejte nohy i chodidla k sobě a protahujte špičky.
- Na matraci dopadáte rozkročenýma nohama, které opět udržují vzdálenost šířky ramen (stejně jako ve výchozí poloze).
- Až tento základní skok zvládnete, můžete začít nácvikem druhého.

ZÁKLADNÍ DOVEDNOST 2: Skok na kolena

- Začněte hlubokým základním skokem (podrobný popis viz ZÁKLADNÍ DOVEDNOST 1).
- Dopadejte na kolena, rozkročená na šířku ramen, záda udržujte rovná a rovnováhu těla udržujte rukama směřujícíma do strany nebo dopředu.
- Skákejte zpět do základní polohy, hybnost udržujete skákaním a houpáním rukou nad hlavu.
- Až to zvládnete v této výšce, zkuste se odrážet ještě o trochu výše, ale nezapomínejte stále kontrolovat výšku.



ZÁKLADNÍ DOVEDNOST 3: Skok v sed



- Začněte s hlubokým základním odrazem (ZÁKLADNÍ DOVEDNOST 1) v základní poloze.
- Dopadejte na matraci s nohama nataženýma před tělem, s rukama podél obou boků a s rovnými zády se držíte ve stabilní poloze.
- Zároveň s odrazem tlačte ruce vzhůru a vraťte se do polohy vstoje.
- Až to zvládnete v této výšce, zkuste se odrážet ještě o trochu výše, ale nezapomínejte stále kontrolovat výšku.

DULEŽITÉ: Než se začnete učit pokročilejší dovednosti, oslovte prosím proškoleného instruktora skoků na trampolíně, abyste udrželi nejvyšší možnou bezpečnost.

Pokročilé dovednosti

POKROČILÁ DOVEDNOST 1: Základní skok



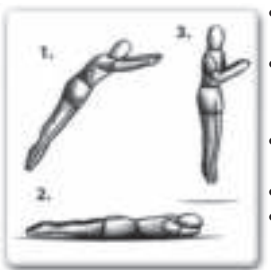
- Začněte s hlubokým základním odrazem (ZÁKLADNÍ DOVEDNOST 1) vzákladní poloze.
- Dopadejte na ruce a kolena zároveň, přičemž záda jsou vodorovně s odrazovou plochou, ruce a nohy opět udržují vzdálenost šířky ramen.
- Zároveň s odrazem tlačíme ruce vzhůru a vrátíme se do polohy vstoje.
- Až to zvládnete v této výšce, zkuste se odrážet ještě o trochu výše, ale nezapomínejte stále kontrolovat výšku.
- Až budete tento skok bezpečně ovládat, můžete začít nácvikem dalšího.

POKROČILÁ DOVEDNOST 2: Z rukou a kolen na břicho

- Dopadejte na ruce a kolena zároveň, přičemž záda jsou vodorovně s odrazovou plochou, ruce a nohy opět udržují vzdálenost šířky ramen.
- Udržujte stabilní polohu, záda vodorovně s matrací, nohy protáhněte dozadu a ruce dejte před obličej, abyste mohli na matraci dopadnout vleže na břicho.
- Při dopadu se všechny části těla musí dotknout matrace ve stejném okamžiku.
- Tlačte ruce vzhůru a zvedněte se do polohy vstoje.
- Až to zvládnete v této výšce, zkuste se odrážet ještě o trochu výše, ale nezapomínejte stále kontrolovat výšku. Až budete tento krok bezpečně ovládat, můžete zkusit další.



POKROČILÁ DOVEDNOST 3: Skok na břicho



- Začněte s hlubokým základním odrazem (ZÁKLADNÍ DOVEDNOST 1) vzákladní poloze.
- Udržujte stabilní polohu, záda vodorovně s matrací, nohy protáhněte dozadu a ruce dejte před obličej, abyste mohli na matraci dopadnout vleže na břicho.
- Při dopadu se všechny části těla musí dotknout matrace ve stejném okamžiku.
- Tlačte ruce vzhůru a zvedněte se do polohy vstoje.
- Až to zvládnete v této výšce, zkuste se odrážet ještě o trochu výše, ale nezapomínejte stále kontrolovat výšku.

DŮLEŽITÉ: Jestliže si přejete postoupit dále a naučit se pokročilejší techniky skákání na trampolíně, oslovte prosím kvalifikovaného a registrovaného instruktora.

4.0 VŠEOBECNÉ INFORMACE

- Samojistné matice a šrouby jsou vhodné jen k jednorázovému použití. Musí se vyměnit po závadě trampolíny a/nebo bezpečnostní sítě.
- Bezpečnostní síť má omezenou trvanlivost, vyměňte ji po 2 letech používání
- Trampolínu se doporučuje umísťovat na plochem a rovném povrchu ve vzdálenosti nejméně 2 metry od jiných velkých konstrukcí nebo překážek, jako jsou plot, garáž, budova, větve stromů, prádelní šňůry nebo elektrické kabely.
- Trampolína nesmí být umístěna na tvrdém povrchu, jako je asfalt, beton atd.
- Vadné díly vyměňujte podle doporučení výrobce.
- Změny trampolíny (např. přidání příslušenství) musí být provedeny podle pokynů výrobce.

5.0 MONTÁŽ TRAMPOLÍNY

STAVBA TRAMPOLÍNY KROK PO KROKU

Montáž smí provést jediné dospělá osoba.

K sestavení této trampolíny vám stačí náš speciální nástroj na instalaci pružin, který dodáváme s tímto produktem. V době, kdy se trampolína nepoužívá, může být snadno rozebrána a uskladněna. Než začnete produkt sestavovat, přečtěte si prosím montážní instrukce.

V tabulce je uveden popis částí a jejich čísla. Montážní návod odkazuje na tyto popisy a čísla.

Přesvědčte se, že máte všechny součástky uvedené na seznamu. Pokud vám některé díly chybí, obraťte se na svého prodejce.

Používejte prosím rukavice, abyste při montáži ochránili vaše ruce před přiskřípnutím. Až budete připraveni začít, přesvědčte se, že máte dostatek čistého a suchého místa pro montáž.

Jednotlivé kroky montážního postupu můžete najít v kapitole 5.0 (strana 124-134)

6.0 PÉČE A ÚDRŽBA

Tato trampolína byla navržena a vyrobena s využitím kvalitních materiálů a řemeslné zručnosti. Při pečlivé péči a údržbě všem uživatelům umožní dlouhé roky cvičení, zábavy a radosti s nízkým rizikem zranění. Postupujte prosím podle směrnic uvedených níže:

Tato trampolína je navržena tak, aby zvládla určitou hmotnost a uživatelskou zátěž. Zajistěte prosím, aby trampolínu používala vždy jen jedna osoba. Uživatelé by na trampolínu měli vstupovat v ponožkách, gymnastické obuvi anebo zcela bosí. Berte prosím na vědomí, že se na trampolínu NESMÍ vstupovat ve vycházkové obuvi ani v teniskách. Riziko protřetí nebo jiného poškození matrace snižíte, když na trampolínu nebudete pouštět žádná zvířata. Zároveň by uživatelé měli před vstupem na trampolínu odložit všechny ostré předměty. Na trampolínu nenoste žádné ostré nebo špičaté předměty.

Instrukce k údržbě

Všechny hlavní součásti (rám, výztuhy, odrazová matrace, polstrování a bezpečnostní síť) je nutné zkontrolovat a provést údržbu na začátku každé sezony a také v pravidelných dvoutýdenních intervalech. Pokud tyto kontroly neprovedete, na trampolíně nemusí být bezpečno!

- Během použití trampolíny musí být všechny suché zipy řádně uzavřené!
- Ověřte, zda jsou všechny matice a šrouby utažené, v případě potřeby je dotáhněte;
- Je nutné ověřit, zda všechna pružinová spojení (aretační pin) jsou nepoškozená a nepohybují se při použití trampolíny;
- Kontrolujte krytky šroubů a ostré hrany, v případě potřeby proveďte výměnu;
- Je nutné dodržet návod k údržbě

Před každým použitím trampolínu kontrolujte a hledejte opotřebované, chybně umístěné nebo chybějící součástky. Existuje mnoho nedostatků, které mohou zvýšit riziko zranění. Zejména dávejte pozor na:

- Propíchnutá místa, díry nebo trhliny v matraci trampolíny
- Prověšená matrace trampolíny
- Povolené švy nebo jakékoli poškození matrace
- Ohnuté nebo zlomené součásti rámu, jako třeba podpěry
- Zlomené, chybějící či poškozené pružiny
- Poškozené, chybějící nebo špatně připevněné polstrování rámu
- Jakékoli vyčnívající části (zejména ostré) na rámu, pružinách nebo matraci

POKUD OBJEVÍTE NĚKTERÝ Z VÝŠE UVEDENÝCH NEDOSTATKŮ NEBO NĚJAKÉ JINÉ NEBEZPEČÍ, KTERÉ BY MOHLO UBLÍŽIT UŽIVATELI, TRAMPOLÍNA BY MĚLA BÝT DEMONTOVÁNA NEBO ZAJIŠTĚNA PROTI POUŽITÍ, DOKUD TENTO PROBLÉM NENÍ VYŘEŠEN.

VĚTRNÉ POČASÍ

Za silného větru by trampolína mohla odletět. Pokud očekáváte větrné počasí, mohli byste trampolínu přemístit do zastřešeného prostoru nebo ji demontovat. Dále se nabízí připevnit trampolínu k zemi tím, že vnější části (horní rám) trampolíny přivážete pomocí lan a kůlů. K bezpečnému připevnění jsou potřebná alespoň tři (3) lana.

PŘEMÍSTOVÁNÍ TRAMPOLÍNY

Pro přemístění trampolíny jsou potřebné dvě osoby. Všechny upevňovací body by měly být zakryty páskou odolnou vůči povětrnostním vlivům, např. izolační páskou. Rám trampolíny díky tomu zůstane během přemístování nedotčen, což upevňovacím bodům zabrání, aby se posunuly nebo uvolnily. Během přenášení držte trampolínu mírně nad zemí, vodorovně vůči podkladu. Před jakýmkoli jiným přesunem byste měli trampolínu demontovat.

ZIMNÍ OBDOBÍ

V některých zemích mohou trampolínu poškodit vrstvy sněhu a velmi nízké teploty. Doporučuje se odstranit sníh z trampolíny a uskladnit ji v budově, včetně bezpečnostní sítě.

7.0 ZÁRUKA

1. Majitel trampolíny EXIT PeakPro má od data uvedeného na prodejním dokladu:
 - 10 roky záruku na rozbití rámu
 - 5 rok záruku na pružiny
 - 2 rok záruku na ochranné polstrování a odrazovou matraci.
 - 2 rok záruku na roztržení sítě
2. Záruka se vztahuje pouze na materiálové a konstrukční vady v souvislosti s tímto produktem nebo jeho součástmi.
3. Záruka zaniká, pokud:
 - Tento produkt je používán nevhodně a/nebo neopatrně a je používán způsobem neodpovídajícím jeho účelu.
 - Tento produkt není sestaven a udržován v souladu s návodem pro montáž a údržbu.
 - Technické opravy tohoto produktu jsou provedeny neodborně.
 - Dodatečně přimontované součásti nevyhovují technickým specifikacím produktu nebo jsou namontovány nesprávně.
 - Vady vznikly vlivem klimatických vlivů jako koroze, UV záření nebo běžné zvětvávání.
 - Produkt je pronajímán nebo byl jiným způsobem přístupný různým, blíže neurčeným osobám.
4. Společnost EXIT Toys podle svého uvážení opraví nebo vymění všechny součásti, u nichž během záruční lhůty uzná materiálové nebo konstrukční vady.
5. Vlastník trampolíny EXIT Toys může záruku uplatnit pouze tím, že produkt zašle k posouzení u prodejce EXIT Toys. Požadavek musí být prodejci EXIT Toys zaslán společně s původním nákupním dokladem.
6. V případě materiálových a konstrukčních vad, které byly společností EXIT Toys uznány, produkt nebo jeho součásti budou opraveny nebo vyměněny – podle jejího uvážení – zdarma během záruční lhůty zmíněné v článku 1.
7. Není-li požadavek na záruku oprávněný, veškeré náklady jdou k tíži vlastníka.
8. Tato záruka je nepřenosná na třetí strany.
9. Trampolína je určena k osobnímu použití. Trampolínu není povoleno pronajímat ani ji umísťovat na veřejně přístupná místa jako školy, školky nebo pečovatelská centra. Záruka společně se všemi ostatními závazky zaniká, jestliže je trampolína pronajímána nebo je používána na veřejných místech.

1.0 Introducere

Vă felicităm că ați ales o trambulina EXIT PeakPro!

Distracție, activitate și joacă în aer liber...

Acestea sunt factorii care ne motivează să dezvoltăm jucării inovatoare și de calitate pentru copii grozavi.

Facem tot posibilul pentru a dezvolta produse sigure pentru copii. Produsele noastre sunt clasificate ca jucării, ceea ce înseamnă că respectăm cele mai stricte reglementări privind siguranța consumatorilor. Înainte de a fi lansate pe piață, produsele noastre sunt supuse unui proces de testare independentă în scop de certificare. De asemenea, procedurile noastre de producție sunt în continuu verificate și sunt efectuate și verificări suplimentare prin teste independente periodice. Doar produsele care respectă cel mai înalt standard EXIT Toys sunt marcate și recunoscute de marca EXIT.

„Vă mulțumim pentru încrederea dvs. în acest produs. Suntem siguri că cei mici se vor distra la fel de mult folosind acest produs ca noi în timp ce l-am creat. Suntem receptivi și apreciem cu adevărat comentariile și ideile care ne ajută să ne îmbunătățim produsele sau să dezvoltăm produse noi. Așteptăm sugestiile dvs. la adresa info@exit-toys.com”

Vă rugăm să vizitați www.exittoys.com și descoperiți și mai multe produse din gama noastră nouă. Echipa EXIT Toys

2.0 INSTRUCȚIUNI PENTRU UTILIZAREA ÎN CONDIȚII DE SIGURANȚĂ

Respectați instrucțiunile de utilizare cuprinse în acest manual, astfel veți putea evita practic toate pericolele. Cu toate acestea, nu uitați că cei mici au o dorință firească de a se juca, iar acest lucru poate duce la situații periculoase neprevăzute pentru care producătorul nu poate fi făcut responsabil. Instruiți-vă copiii în privința utilizării corecte a produsului și atrageți atenția lor în mod special asupra posibilelor pericole.

Înainte de a asambla și a utiliza produsul, citiți și respectați următoarele atenționări principale:



ATENȚIE

Pentru a evita rănirea gravă:



- Citiți și înțelegeți conținutul prezentului manual înainte de utilizare.
- ATENȚIE: A se utiliza numai în scop casnic și în exterior.
- ATENȚIE: PERICOL DE ÎNECARE!
- Componente de dimensiuni mici. A nu se utiliza de copii cu vârsta sub 3 ani.
- ATENȚIE: Accesul simultan de către mai multe persoane este interzis; pericol de ciocnire!
- ATENȚIE: Nu executați salturi sau alte sărituri periculoase!
- ATENȚIE: Goliți-vă buzunarele și mâinile înainte de a începe săriturile!
- ATENȚIE: Produsul va fi folosit sub supravegherea unui adult.
- ATENȚIE: Nu folosiți trambulina dacă este umedă.
- ATENȚIE: Asamblarea trambulinei va fi executată de adulți, conform instrucțiunilor de asamblare și trambulina asamblată va fi verificată înainte de prima utilizare.
- ATENȚIE: Nu consumați alimente în timp ce executați săriturile.
- ATENȚIE: Întotdeauna executați săriturile în mijlocul suprafeței de sărit.
- ATENȚIE: Întotdeauna asigurați-vă că ușa plasei de siguranță este închisă înainte de a începe săriturile.
- ATENȚIE: Nu folosiți produsul în condiții de vânt puternic și depozitați trambulina în siguranță.
- ATENȚIE: Nu ieșiți de pe trambulină în timp ce executați sărituri.
- ATENȚIE: Limitați durata de utilizare neîntreruptă (includeți pauze la intervale regulate).
- ATENȚIE: Nu purtați încălțăminte în timp ce folosiți trambulina.
- Greutatea maximă a utilizatorului: 13.12.15.00: 130 kg

2.1 Atenționări pentru utilizarea în condiții de siguranță:

- **ÎNAINTE DE A ÎNCEPE UTILIZAREA TRAMBULINEI:** Citiți cu atenție și înțelegeți informațiile cuprinse în acest manual. Așa cum se întâmplă în cazul oricărui sport și activitate fizică, există riscul de rănire a persoanelor care folosesc produsul. Pentru a vă putea bucura de produs și pentru a preveni accidentele, asigurați-vă că respectați regulile corespunzătoare și sfaturile privind utilizarea în siguranță.
- Păstrați aceste instrucțiuni pentru a le putea consulta ulterior; manualul conține informații importante.
- **ÎNTOTDEAUNA CONSULTAȚI UN MEDIC ÎNAINTE DE A ÎNCEPE ORICE FEL DE ACTIVITATE FIZICĂ.**
- **ÎNTOTDEAUNA VERIFICAȚI TRAMBULINA ÎNAINTE DE UTILIZARE, ACORDÂNT ATENȚIE SPECIALĂ BOLTURILOR ȘI POZIȚIONĂRII CORECTE A SUPRAFEȚEI DE SĂRIT ȘI A BENZILOR DE PROTECȚIE. NU UTILIZAȚI PRODUSUL DACĂ LIPSESC COMPONENTE SAU DACĂ ARE COMPONENTE CARE PREZINTĂ SEMNE DE UZURĂ.**
- **ÎNTOTDEAUNA ASIGURAȚI-VĂ CĂ FOLOSIREA TRAMBULINEI, INDIFERENT DE NIVELUL DE PRICIPERE AL UTILIZATORULUI, SE DESFĂȘOARĂ SUB SUPRAVEGHERE.**
- Încetați exercițiile imediat dacă vă simțiți rău sau resimțiți dureri musculare sau articulare. Amețeala este un semn al epuizării - dacă simțiți că amețiți, întindeți-vă pe o suprafață plană.
- În timpul utilizării trambulinei, asigurați-vă că purtați îmbrăcăminte corespunzătoare, de preferință îmbrăcăminte pentru sport și șosete.
- Vă atragem atenția că această trambulină funcționează cu arcuri, ceea ce înseamnă că săriturile executate pe trambulină pot fi mult mai înalte decât săriturile executate la sol, deci vă rugăm să țineți cont de acest aspect și asigurați-vă că utilizatorul trambulinei mai întâi învață cum să controleze săriturile la înălțimi mici.
- Acest manual conține instrucțiuni și sfaturi privind asamblarea, îngrijirea și întreținerea trambulinei, sfaturi privind utilizarea în siguranță, atenționări, descrierea tehnicii corecte de executare a săriturilor și servește siguranța utilizatorilor și prelungirea duratei de viață a produsului. Așadar, toți cei care utilizează trambulina și cei care supraveghează utilizarea ei trebuie să citească și să înțeleagă aceste instrucțiuni. Fiecare utilizator al trambulinei trebuie să fie conștient de propriile limite în ceea ce privește executarea săriturilor pe această trambulină.
- Trambulina se assemblează pe gazon sau deasupra unei saltele de siguranță aprobate de BSI. Este interzisă asamblarea trambulinei pe o suprafață din beton, pe asfalt sau pe orice alt tip de suprafață dură, precum și asamblarea trambulinei în apropierea altor construcții care ar putea împiedica utilizarea în siguranță a trambulinei (de ex., piscine, balansoare, tobogane, ansambluri pentru cățărăt)
- Mutarea trambulinei. Pentru a muta trambulina și învelișul de siguranță este nevoie de doi adulți și se va executa ridicând ansamblul puțin și purtându-l în poziție orizontală. Dacă este nevoie, trambulina și învelișul de siguranță pot fi dezasamblate pentru mutare. Pentru dezasamblarea trambulinei, urmați pașii procedurii de asamblare în ordine inversă.
- Așezați trambulina pe o suprafață nivelată, la o distanță de cel puțin 2 m de orice altă structură sau obstacol, cum ar fi gardul, garajul, casa, crengile copacilor, sfori pentru întinderea rufelor sau cabluri de curent electric.
- În cazul în care lipsesc piese sau găsiți piese deteriorate, vă rugăm să luați legătura cu comerciantul de la care ați achiziționat produsul pentru asistență.
- Consumatorul poate efectua modificări ale configurației originale ale trambulinei (de ex., adăugarea unor accesorii) numai dacă se respectă instrucțiunile producătorului.
- Nu suntem răspunzători pentru orice accident suportat în timpul utilizării trambulinei.

2.2 Utilizarea trambulinei

PENTRU ÎNCEPUT, obișnuiți-vă cu mișcarea pe trambulină și învățați să păstrați controlul asupra săriturilor. În această fază, concentrați-vă asupra poziției corpului și a tehnicilor, până când reușiți să executați săriturile ușor, menținând controlul mișcărilor.



- ÎNAINTE DE A TRECE LA SĂRITURILE MAI ÎNALTE, însușiți tehnica de a întrerupe săriturile, deoarece astfel veți putea evita accidentele cauzate de sărituri necontrolate.
- La aterizarea pe suprafața de sărit, îndoiți-vă genunchii, astfel veți putea opri, energia săriturii fiind absorbită de planșa elastică. Poziția corectă este prezentată în imaginea din partea stângă. Ridicați brațele pentru echilibru mai bun.
- Utilizați această tehnică de fiecare dată când doriți să întrerupeți săriturile din cauza pierderii controlului, din cauza oboselei, etc.



SALTURI (TUMBE): NU EXECUTAȚI niciun fel de salt (în față sau în spate) pe această trambulină. În cazul tumbelor executate în mod incorect există un risc mărit de a ateriza în cap sau pe ceafă. Aterizarea pe cap sau pe ceafă crește riscul de fracturi suportate la nivelul gâtului sau a coloanei, ceea ce poate duce la paralizii sau la moarte.



OBIECTE STRĂINE: ESTE INTERZIS să utilizați trambulina dacă sub ea se află animale de companie, alte persoane sau obiecte. Nerespectarea acestei reguli crește riscul de accidente. ESTE INTERZIS să țineți în mână orice obiect și să așezați orice obiect pe trambulină în timp ce trambulina este folosită. ESTE INTERZIS să amplasați trambulina sub obiecte care atârnă deasupra ei, cum ar fi crengile copacilor, cablurile, etc., deoarece prezența unor astfel de obiecte crește riscul de accidente.



ÎNȚREȚINEREA NECORESPUNZĂTOARE A TRAMBULINEI: O trambulină care nu este întreținută în mod corespunzător prezintă risc mai mare de accidentare. Vă rugăm să verificați starea trambulinei înainte de fiecare utilizare, asigurați-vă că țevile de oțel nu sunt îndoite, materialul suprafeței de sărit nu prezintă deteriorări, nu sunt arcuri întinse sau rupte și verificați și stabilitatea generală a trambulinei.



CONDIȚII METEOROLOGICE: Atenționare. În vânt puternic, nu utilizați trambulina și depozitați-o în siguranță. Vă rugăm să țineți cont de condițiile meteorologice atunci când utilizați trambulina. Nu folosiți trambulina când este umedă. Dacă vântul este prea puternic, există riscul să pierdeți controlul asupra mișcărilor.



RESTRIȚIONAREA ACCESULUI: Când trambulina nu este în folosință, scara de acces va fi mutată într-un loc securizat pentru a preveni accesul copiilor la trambulină și utilizarea nesupravegheată.

2.3 Sfaturi pentru reducerea riscului de accidente



Pentru a reduce riscul de accidente, UTILIZATORUL TRAMBULINEI va respecta următoarele instrucțiuni:

- Va menține controlul asupra săriturilor și asupra poziției corpului pe tot parcursul exercițiilor.
- Nu va încerca sărituri care îi depășesc competențele.
- Va citi cu atenție și va înțelege instrucțiunile privind modul corect de a executa săriturile, pornind săriturile și aterizând în centrul suprafeței de sărit a trambulinei.
- Își va controla săriturile, decolând și aterizând în centrul suprafeței de sărit a trambulinei.
- Atenție. În timp ce executați sărituri, rămâneți mereu în centrul suprafeței de sărit. În timp ce executați sărituri, întotdeauna aveți grijă să vă mențineți corpul în poziție verticală și în niciun caz nu vă deplasați către arcuri în nicio direcție.
- Întotdeauna consultați un instructor de trambulină calificat înainte de a încerca sărituri care sunt mai complicate decât cele de bază.

Pentru a reduce riscul de accidente, SUPRAVEGHETORUL va respecta următoarele instrucțiuni:

- Va înțelege și va pune în aplicare toate regulile și instrucțiunile privind utilizarea în condiții de siguranță.
- Va oferi instructaj utilizatorului trambulinei în ceea ce privește utilizarea corectă și incorectă a trambulinei pentru a asigura că trambulina este utilizată în mod corect și sigur.
- Va ține cont de și va instrui utilizatorul în ceea ce privește atenționările de siguranță.
- Atenție. Nu ieșiți de pe trambulină în timp ce executați sărituri.

IMPORTANT: În cazul în care nu este disponibilă o persoană care să asigure supravegherea utilizării trambulinei, vor fi luate măsuri în vederea securizării trambulinei și a prevenirii utilizării produsului până când supravegherea poate fi asigurată.

2.4 Instrucțiuni privind utilizarea trambulinei în condiții de siguranță



MĂSURI DE SIGURANȚĂ PREVENTIVE PENTRU UTILIZATORII TRAMBULINEI

- Nu folosiți trambulina sub influența alcoolului, a drogurilor sau a substanțelor narcotice.
- Aveți grijă atunci când urcați sau coborâți de pe trambulină. Niciodată nu săriți pe sau de pe trambulină și niciodată nu folosiți trambulina pentru a sări pe sau într-un alt obiect.
- Mai întâi învățați să executați săriturile de bază și însușiți-vă temeinic fiecare tip de săritură înainte să treceți la următorul nivel de dificultate. Citiți cu atenție capitolul privind manevrele de bază pentru a învăța executarea corectă a săriturilor de bază.
- Dacă doriți să întrerupeți săriturile, îndoiiți-vă genunchii la aterizarea pe tălpi.
- Întotdeauna dețineți controlul mișcărilor atunci când săriți pe trambulină. Săritura este controlată atunci când aterizați în același loc de unde ați pornit săritura. Dacă simțiți că nu puteți controla săriturile, opriți-vă imediat.
- Nu săriți pentru perioade lungi de timp și nu executați prea multe sărituri înalte. Mențineți contactul vizual cu suprafața de sărit pentru a menține controlul. În caz contrar, există riscul să vă pierdeți echilibrul.
- Este interzis accesul simultan al mai multor persoane pe trambulină. Pericol de coliziune.

MĂSURI DE SIGURANȚĂ PREVENTIVE PENTRU SUPRAVEGHETORI

IMPORTANT: Învățați săriturile de bază și regulile de siguranță. Pentru a evita și a reduce riscul producerii accidentelor, asigurați-vă că toate regulile de siguranță sunt puse în aplicare și că utilizatorii începători învață săriturile de bază înainte de a trece la sărituri mai avansate.

- **UTILIZAREA** trambulinei va fi întotdeauna supravegheată, indiferent de nivelul de competență și de vârsta utilizatorului.
- Niciodată nu folosiți trambulina dacă este umedă, deteriorată, murdară sau uzată. Trambulina va fi verificată înainte de fiecare utilizare.
- Țineți la îndepărtare toate obiectele care ar putea prezenta un obstacol pentru utilizatorii trambulinei. Țineți cont de obiectele care se află deasupra, sub și în jurul trambulinei.
- Pentru a preveni utilizarea nesupravegheată sau neautorizată, trambulina va fi depozitată în loc sigur întotdeauna.

2.5 Clasificarea și identificarea accidentelor



URCAREA ȘI COBORÂREA:

Acordați atenție sporită la urcarea și la coborârea de pe trambulină.

La urcare, NU vă prindeți de saltea, nu călcați pe arcuri și nu intrați pe trambulină sărind de pe alte obiecte (de ex., de pe o terasă, acoperiș sau scară). Asemenea manevre sunt extrem de periculoase. La coborâre, NU săriți de pe trambulină. Dacă trambulina este folosită de copii mici, ajutați-i la urcare și la coborâre.



INFLUENȚA ALCOOLULUI, A MEDICAMENTELOR ȘI A DROGURILOR:

NU folosiți trambulina dacă vă aflați sub influența alcoolului sau a drogurilor (inclusiv a medicamentelor care afectează mișcarea coordinată). Utilizarea trambulinei sub influența substanțelor de acest fel este extrem de periculoasă, deoarece aceste substanțe afectează capacitatea de judecată, timpul de reacție și coordonarea mișcărilor în general.



UTILIZARE SIMULTANĂ DE MAI MULTE PERSOANE:

Accesul simultan al mai multor persoane este interzis; pericol de ciocnire!



LOVIREA ARCURILOR DE SUSȚINERE:

În timpul utilizării trambulinei, aveți grijă să EXECUTAȚI săriturile pornind și aterizând în mijlocul suprafeței de sărit. Astfel, veți putea reduce riscul de a ateriza pe arcurile de susținere. Cadrul trambulinei va fi întotdeauna acoperit în învelișul de protecție. NU săriți și nu călcați direct pe învelișul cadrului, deoarece cadrul nu a fost conceput pentru a susține greutatea corpului uman.



PIERDEREA CONTROLULUI:

NU încercați manevre dificile până când nu vă însușiți manevrele de bază. Nerespectarea acestor instrucțiuni poate duce la producerea accidentelor.

ATENȚIE: Includeți câte o pauză după fiecare 10 minute de utilizare.

3.0 TEHNICI DE SĂRITURI PE TRAMBULINĂ

COMPETENȚE DE BAZĂ

EXERCIȚIUL DE BAZĂ NR. 1: Săritura de bază



- Începeți din poziția stând drept, cu picioarele îndepărtate până la lățimea umerilor, capul sus și ochii îndreptați către saltea.
- Rotiți-vă brațele, mișcându-le în față și în sus deasupra capului.
- Împingeți-vă în sus, apropiindu-vă picioarele în aer și aducând degetele piciorului către sol.
- Aterizați pe suprafața de sărit cu picioarele îndepărtate până la lățimea umerilor (poziția de start).
- De ce este interzis să încercați sărituri mai avansate înainte de a vă însuși săriturile de bază.

EXERCIȚIUL DE BAZĂ NR. 2: Săritura în genunchi

- Începeți cu săritura de bază, fără a vă deplasa prea sus (în modul descris la EXERCIȚIUL DE BAZĂ NR. 1).
- Aterizați pe genunchii îndepărtați la lățimea umerilor, cu corpul și spatele drept, în poziție stabilă, cu brațele întinse lateral sau în față pentru a menține echilibrul.
- Reveniți în poziția de bază, rotindu-vă brațele deasupra capului pentru a vă lua avânt.
- După ce învățați să executați această săritură de bază la înălțime mică, puteți încerca să săriți puțin mai sus, dar aveți grijă să mențineți controlul mișcării și să nu săriți prea sus.



EXERCIȚIUL DE BAZĂ NR. 3: Săritura în șezut



- Începeți cu săritura de bază, fără a vă deplasa prea sus (EXERCIȚIUL DE BAZĂ NR. 1), în poziția normală.
- Aterizați cu picioarele întinse în față, ținând mâinile pe umeri în ambele părți laterale, cu spatele drept și menținând o poziție stabilă.
- Folosiți-vă de elanul săriturii și ajutați-vă cu mâinile să reveniți în poziția inițială, stând drept.
- După ce învățați să executați această săritură de bază la înălțime mică, puteți încerca să săriți puțin mai sus, dar aveți grijă să mențineți controlul mișcării și să nu săriți prea sus.

IMPORTANT: Întotdeauna consultați un instructor de trambulină calificat înainte de a încerca sărituri mai avansate pentru a putea executa săriturile în cea mai mare siguranță.

EXERCIȚII AVANSATE

EXERCIȚIUL AVANSAT NR. 1: Săritura de bază



- Începeți cu săritura de bază, fără a vă deplasa prea sus (EXERCIȚIUL DE BAZĂ NR. 1), în poziția normală.
- Aterizați pe mâini și pe genunchi, cu spatele ținut în poziție orizontală față de suprafața de sărit, cu mâinile și picioarele îndepărtate până la lățimea umerilor.
- Folosiți elanul săriturii și împingeți-vă din mâini pentru a reveni în poziția inițială, stând drept.
- După ce învățați să executați această săritură de bază la înălțime mică, puteți încerca să săriți puțin mai sus, dar aveți grijă să mențineți controlul mișcării și să nu săriți prea sus.
- Încercați sărituri mai avansate după ce vă însușiți săriturile la acest nivel de dificultate.

EXERCIȚIU AVANSAT NR. 2: Săritură cu mâinile și genunchii în față

- Aterizați pe mâini și pe genunchi, cu spatele ținut în poziție orizontală față de saltea, cu mâinile și picioarele ușor îndepărtate.
- Mențineți corpul în poziție stabilă, cu spatele în poziție orizontală față de suprafața de sărit, întindeți picioarele în spate, uniți brațele în fața capului în aer, pregătindu-vă pentru aterizarea pe saltea în poziție de culcat.
- Aterizați în așa fel încât întregul corp să atingă suprafața de sărit în același moment.
- Împingeți-vă din mâini pentru a reveni în poziția inițială, stând în picioare.
- După ce învățați să executați această săritură de bază la înălțime mică, puteți încerca să săriți puțin mai sus, dar aveți grijă să mențineți controlul mișcării și să nu săriți prea sus. Încercați sărituri mai avansate după ce vă însușiți săriturile la acest nivel de dificultate.



EXERCIȚIU AVANSAT NR. 3:



- Începeți cu săritura de bază, fără a vă deplasa prea sus (EXERCIȚIUL DE BAZĂ NR. 1), în poziția normală.
- Mențineți corpul în poziție stabilă, cu spatele în poziție orizontală față de suprafața de sărit, întindeți picioarele în spate, uniți brațele în fața capului în aer, pregătindu-vă pentru aterizarea pe saltea în poziție de culcat.
- Aterizați în așa fel încât întregul corp să atingă suprafața de sărit în același moment.
- Împingeți-vă din mâini pentru a reveni în poziția inițială, stând în picioare.
- După ce învățați să executați această săritură de bază la înălțime mică, puteți încerca să săriți puțin mai sus, dar aveți grijă să mențineți controlul mișcării și să nu săriți prea sus.

IMPORTANT: Dacă doriți să progresați și să învățați tehnici și mai avansate de utilizare a trambulinei, vă rugăm să apelați la un instructor de trambulină calificat și înregistrat.

4.0 INFORMAȚII GENERALE

- Piulițele și șuruburile cu autoblocare pot fi folosite doar pentru a singură asamblare și vor fi înlocuite de fiecare dată după demontarea trambulinei și/sau a plasei de siguranță.
- Plasa de siguranță are durată de viață limitată și va fi înlocuită după 2 ani de utilizare.
- Vă recomandăm să amplasați trambulina pe o suprafață plană, fără denivelări, la o distanță de cel puțin 2 m de la orice alte construcție sau obstacole, de ex., garduri, garaj, casa, crengi de copac, sfori pentru atârnarea rufelor, cabluri de electricitate.
- Nu amplasați trambulina pe o suprafață dură, cum ar fi suprafețele din asfalt, beton, etc.
- Înlocuiți componentele defecte conform recomandărilor producătorului.
- Orice modificare a trambulinei (de ex., adăugarea unui accesoriu) poate fi efectuat numai respectând instrucțiunile producătorului.

5.0 ASAMBLAREA TRAMBULINEI

ETAPELE DE ASAMBLARE

Asamblarea poate fi realizată numai de persoane adulte.

FPentru asamblarea acestei trambuline, tot ce aveți nevoie este instrumentul special de încărcare a arcului, furnizat împreună cu produsul. În timpul perioadelor când trambulina nu este utilizată, ea poate fi dezasamblată și depozitată ușor. Vă rugăm să citiți instrucțiunile de asamblare înainte de a începe montarea produsului.

Vă rugăm să citiți și informațiile cuprinse în tabelul cu descrierea pieselor și numerotarea acestora. Instrucțiunile de asamblare folosesc denumirile și numerotarea din tabel.

Verificați dacă aveți toate piesele incluse în listă. Dacă lipsesc piese, vă rugăm să luați legătura cu comerciantul de la care ați cumpărat produsul.

În timpul montării, purtați mănuși de protecție pentru a vă proteja mâinile. Când sunteți pregătit să începeți asamblarea, asigurați-vă că aveți la dispoziție spațiu suficient și teren curat și uscat pentru procedură.

Găsiți pașii procedurii de asamblare în capitolul 5.0 (paginile 124-134)

6.0 ÎNGRIJIRE ȘI ÎNTREȚINERE

Această trambulină a fost proiectată cu tehnologii profesionale și fabricată din materiale de calitate. Dacă este asigurată o îngrijire și o întreținere adecvată, aceasta va oferi tuturor utilizatorilor ani de exerciții, distracție și plăcere, precum și reducerea riscului de accidente. Vă rugăm să urmați instrucțiunile de mai jos:

Această trambulină este proiectată să suporte doar o anumită greutate în timpul utilizării. Asigurați-vă că trambulina este utilizată numai de o singură persoană deodată. Utilizatorii trebuie să poarte șosete sau încălțăminte de gimnastică atunci când folosesc trambulina sau să urce pe trambulină desculți. Vă rugăm să fiți conștienți de faptul că încălțăminte de alergat sau de tenis NU sunt potrivite pentru utilizarea trambulinei. Pentru a preveni tăieturile sau deteriorarea suprafeței de sărit, vă rugăm să nu permiteți accesul animalelor de companie pe trambulină. De asemenea, utilizatorii vor înlătura toate obiectele ascuțite purtate înainte de a folosi trambulina. Orice tip de obiecte ascuțite vor fi păstrate la îndepărtare de salteaua trambulinei pe tot parcursul utilizării.

Instrucțiuni de întreținere

Verificați și efectuați întreținerea tuturor componentelor importante ale trambulinei (cadru, sistemul de suspendare, suprafața de sărit, acoperirea de protecție și învelișul de siguranță) înainte de fiecare utilizare și la intervale regulate de 2 săptămâni. Dacă aceste verificări și operațiuni nu sunt efectuate, utilizarea trambulinei poate deveni periculoasă.

- Asigurați-vă că toate elementele de fixare cu scai sunt închise în mod corect în timp ce trambulina este în folosință!
- Este obligatoriu să verificați dacă toate piulițele și șuruburile sunt strânse - dacă este nevoie, strângeți-le;
- Asigurați-vă că toate îmbinările cu arc (știft de blocare) sunt în stare de funcționare, nevătămate și nu se vo deplasa în timp ce trambulina este în folosință;
- Vor fi verificate toate șuruburile de prindere ale învelișului și vor fi înlocuite componentele deteriorate dacă este cazul;
- Manualul de întreținere va fi păstrat

Verificați trambulina înainte de fiecare utilizare pentru a identifica orice piesă uzată, deteriorată sau lipsă. Apariția anumitor probleme poate crește riscul de accidente. Vă rugăm să acordați atenție specială următoarelor:

- Găuri, rupturi și tăieturi în materialul suprafeței de sărit a trambulinei
- Părți ale suprafeței de sărit care atâră
- Cusături desfăcute sau orice fel de deteriorare a materialului suprafeței de sărit
- Componente de cadru îndoite sau rupte, cum ar fi picioarele
- Arcuri rupte, deteriorate sau care lipsesc
- Acoperire de protecție deteriorat, nefixat sau care lipsește
- Orice fel de proeminente (în mod special cele ascuțite) apărute pe cadru, în zona cu arcuri sau pe suprafața de sărit

DACĂ OBSERVAȚI PREZENȚA ORICĂREIA DINTRE PROBLEMELE DE MAI SUS SAU ORICE FEL DE ALTE PROBLEME CARE POT CAUZA RĂNIREA UTILIZATORILOR, DEZASAMBLAȚI TRAMBULINA SAU DEPOZITAȚI-O ÎNTR-UN LOC SIGUR UNDE PUTEȚI PREVENI UTILIZAREA PRODUSULUI PÂNĂ LA SOLUȚIONAREA PROBLEMEI.

CONDIȚII DE VÂNT PUTERNIC

Vântul puternic poate răsturna trambulina. Dacă vă așteptați la condiții meteorologice cu vânt intens, mutați trambulina într-o zonă protejată sau dezasamblați-o. O altă opțiune este să legați trambulina de sol, fixând-o prin partea exterioră (partea superioară) cu funii și stâlpi. Pentru legarea sigură, ancorați trambulina în cel puțin trei (3) puncte.

MUTAREA TRAMBULINEI

Pentru mutarea trambulinei este nevoie de două persoane adulte. Toate punctele de îmbinare vor fi înfășurate și fixate cu bandă rezistentă la condiții meteorologice nefavorabile, cum ar fi banda izolantă. Procedând astfel, cadrul va fi menținut în stare intactă în timp ce trambulina este mutată și veți putea preveni dislocarea și separarea punctelor de îmbinare. Mutați trambulina ridicând-o ușor de la sol și menținând-o în poziție orizontală față de sol. Pentru orice alt tip de mutare, dezasamblați trambulina.

IARNA

În anumite regiuni, unde perioada de iarnă este acompaniată de ninsori puternice și temperaturi foarte scăzute, trambulina poate suferi deteriorări din cauza vremii. Se recomandă curățarea trambulinei de zăpadă și depozitarea suprafeței de sărit și a învelișului de siguranță a trambulinei pentru iarnă.

7.0 GARANȚIE

1. Perioada de garanție decurge de la data facturii de achiziție, proprietarul trambulinei EXIT PeakPro beneficiind de următoarele:
 - Garanție de 10 ani în caz de rupere a cadrului
 - Garanție de 5 an pentru arcuri
 - Garanție de 2 an pentru acoperirea de protecție și pentru suprafața de sărit.
 - Garanție de 2 an în caz de rupere a plasei de siguranță
2. Garanția aplicabilă pentru acest produs acoperă numai defectele de material și de fabricație ale produsului sau ale componentelor sale.
3. Garanția își pierde valabilitatea în cazul în care:
 - Produsul este exploatat în mod necorespunzător și/sau în mod neglijent și dacă este utilizat în alte scopuri decât cele pentru care este destinat.
 - Asamblarea și întreținerea produsului nu sunt executate în conformitate cu cerințele specificate în manualul de instrucțiuni.
 - Reparațiile produsului nu sunt realizate de către profesioniști.
 - Părțile montate ulterior nu corespund specificațiilor tehnice ale produsului sau sunt montate în mod incorect.
 - Defectarea produsului este cauzată de condițiile meteorologice, de ex., coroziune, efectele radiațiilor solare sau de uzură normală.
 - Produsul este închiriat sau folosit de persoane nespecificate în orice alt fel.
4. EXIT Toys va remedia, prin reparație sau prin înlocuire, defectele de material și de construcție care au fost constatate de către EXIT Toys în perioada de garanție.
5. Proprietarul trambulinei EXIT Toys poate depune o cerere de garanție numai dacă prezintă produsul la un comerciant de produse EXIT Toys în vederea efectuării inspecției. Produsul va fi predat comerciantului de produse EXIT Toys, însoțit de factura de achiziție originală.
6. În cazul în care sunt depistate defecte de fabricare sau de material de către EXIT Toys, produsul sau componentele sale vor fi reparate sau înlocuite, la discreția acestuia, gratuit în perioada de garanție specificată în Articolul 1.
7. În cazul în care reclamația se dovedește a fi nejustificată, toate costurile aferente vor fi suportate de către proprietar.
8. Prezenta garanție nu poate fi transferată către terți.
9. Trambulina este concepută pentru a fi utilizată în scop personal. Ea nu poate fi închiriată sau amplasată în spații publice, cum ar fi școlile sau grădinițele. Închirierea produsului sau utilizarea acestuia în spații publice atrage după sine pierderea garanției și exonerarea producătorului privind orice alte responsabilități.

1.0 Introduktion

Grattis till valet av en EXIT PeakPro Trampoline!

Ha kul, var aktiv och lek utomhus

Det är det som fortsätter att driva oss att utveckla innovativa kvalitetsleksaker för coola barn.

Vi gör allt för att utveckla säkra produkter för barn. Eftersom våra produkter klassas som leksaker följer vi de tuffaste föreskrifterna för konsumentssäkerhet. Innan vi lanserar våra produkter på marknaden ser till att få oberoende tester utförda för certifiering. Vi testar också kontinuerligt våra produktionsförfaranden och ser regelbundet till att genomföra fler oberoende tester som en ytterligare kontroll. Endast produkter som uppfyller den högsta EXIT Toys-standarderna är märkta med och erkända av EXIT-varumärket.

”Vi vill tacka dig för att du har valt denna produkt. Vi är säkra på att dina barn kommer att ha lika roligt som vi hade när vi utvecklade den. Vi har ett öppet sinne och uppskattar verkligen alla kommentarer och idéer som hjälper oss att förbättra våra produkter eller utveckla nya. Skicka gärna in dina idéer till oss på info@exit-toys.com”

Besök oss på www.exittoys.com och upptäck fler coola nya produkter. EXIT Toys-teamet

2.0RIKTLINJER FÖR SÄKER ANVÄNDNING

Om du använder din produkt enligt instruktionerna i den här handboken elimineras praktiskt taget alla faror. Tänk dock på att barn har en naturlig lust att leka och att detta kan leda till oförutsedda farliga situationer som tillverkaren inte kan hållas ansvarig för. Lär dina barn hur man använder produkten och uppmärksamma dem på eventuella faror.

Innan du monterar och använder produkten bör du läsa och observera dessa huvudsakliga varningar:



VARNING



För att undvika allvarlig skada:

- Läs och förstå manualen före användning.
- VARNING: Endast för hemma- och utomhusbruk.
- VARNING: KVÄVNINGSRISK! - Smådelar.
Inte lämplig för barn under 3 år.
- VARNING: Endast en användare åt gången; risk för kollision!
- VARNING: Gör inga volter eller andra svåra hopp!
- VARNING: Töm fickor och händer innan du hoppar!
- VARNING: Kontinuerlig tillsyn av vuxna krävs.
- VARNING: Använd inte trampolinen när det är blött.
- VARNING: Trampolinen ska monteras av en vuxen person enligt monteringsinstruktionerna och därefter kollas innan den används första gången.
- VARNING: Ät inte medan du hoppar.
- VARNING: Hoppa alltid i mitten av mattan.
- VARNING: Stäng alltid nätöppningen innan du hoppar.
- VARNING: Använd inte vid hård blåst och säkra trampolinen.
- VARNING: När du går ur trampolinen bör du inte hoppa.
- VARNING: Begränsa tiden för oavbruten användning (ta regelbundna pauser).
- VARNING: Hoppa utan skor.
- Max. Användar vikt: 13.12.15.00: 130 kg

2.1 Varningar för säker användning

- INNAN DU BÖRJAR ATT ANVÄNDA DIN TRAMPOLIN: Läs och förstå informationen i denna handbok. Som med alla fysiska sporter och aktiviteter finns risken att deltagarna åsamkar sig en skada. För att säkerställa att du har roligt och förebygga skador, se till att följa lämpliga säkerhetsregler och tips.
- Behåll denna manual för framtida bruk; den innehåller viktig information.
- RÅDGÖR ALLTID MED EN LÄKARE INNAN DU UTFÖR NÅGON SLAGS FYSISK AKTIVITET.
- KOLLA ALLTID DIN TRAMPOLIN INNAN DU ANVÄNDER DEN OCH KONTROLLERA SPECIELLT ALLA BULTAR, OCH ATT MATTAN OCH SKYDDET LIGGER RÄTT. ANVÄND INTE OM DELAR SAKNAS ELLER SER UT ATT VARA SLITNA OCH TRASIGA.
- SE ALLTID TILL ATT, NÄR TRAMPOLINEN ANVÄNDS, OBEROENDE AV HUR SKICKLIG ANVÄNDAREN ÄR, HOPPNING SKER UNDER TILLSYN.
- Sluta träna omedelbart om du känner dig dålig eller om du känner smärta i leder och muskler. Yrsel är ett tecken på trötthet och du bör sluta studsa och lägga dig på marken om du känner dig yr.
- När du använder denna trampolin, se till att bära lämpliga kläder, helst sportkläder och strumpor.
- Varning: trampolinen är fjäderbaserad och gör det möjligt för användaren att hoppa till en större höjd än på marken, så tänk på detta och se till att du kan studsa bekvämt vid lägre höjder först.
- Denna manual innehåller information om korrekt montering, skötsel och underhåll av produkten, säkerhetstips, varningar och korrekt teknik för att hoppa på din trampolin, för din säkerhet och en längre produktlivslängd. Alla användare och tillsynspersoner bör därför bekanta sig med dessa instruktioner. Alla som väljer att använda trampolinen måste vara medvetna om sina egna begränsningar när det gäller att utföra färdigheter på denna trampolin.
- Trampolinen ska monteras på gräs eller BSI-godkänd säkerhetsmatta. Får inte installeras över betong, asfalt eller någon annan hård yta eller i närheten av andra installationer som kan innebära risk för krock (t.ex. bassänger, gungor, rutschkanor, klätterramar)
- Flytta trampolinen. Om trampolinen och skyddsnätet måste flyttas bör de flyttas av två personer, hållas horisontellt, och lyftas en aning. Vid behov kan trampolinen och nätet monteras isär före flytten. För att ta isär trampolinen, följ monteringsanvisningarna i motsatt ordning.
- Placera trampolinen på en jämn yta minst 2 m från alla andra strukturer eller hinder, till exempel ett staket, garage, hus, överhängande grenar, tvättlinor eller elektriska ledningar.
- I de fall att delar saknas eller är sönder, vänligen kontakta ditt inköpsställe för hjälp.
- Ändringar gjorda av konsumenten på originaltrampolinen (t.ex. ett tillagt tillbehör) ska utföras enligt tillverkarens instruktioner.
- Vi är inte ansvariga för några skador som kan uppkomma när trampolinen används.

2.2 Användning av trampolinen

FÖRST bör du vänja dig vid din trampolin och förstå hur mycket studs det är i varje hopp. Fokus vid denna tidpunkt bör ligga på kroppsposition och teknik tills varje övning kan utföras lätt och med kontroll.



- INNAN DU FÖRSÖKER ATT HOPPA FÖR HÖGT bör du lära dig tekniken för att stoppa rörelsen eftersom detta förebygger skador om du känner att du håller på att förlora kontrollen.
- När användaren landar på mattan bör knäna vara böjda så att de stoppar och absorberar studsens i mattan. Positionen visas i bilden till vänster. Armarna hålls utsträckt för mer balans.
- Denna färdighet används när trampolin användaren på grund av trötthet, förlust av kontroll etc. vill sluta att studsas.



VOLTER (FLIPS): UTFÖR INGA kullerbyttor eller volter av något slag (bakåt eller framåt) på denna trampolin. Om du gör ett misstag när du försöker att slå en volt kan du landa på nacke eller huvud. Detta ökar risken för att bryta nacke eller rygg, vilket skulle kunna leda till död eller förlamning.



FRÄMNADE OBJEKT: ANVÄND INTE trampolinen om det finns husdjur, andra människor eller objekt under trampolinen. Detta ökar risken för skador. HÅLL INTE något främmande objekt i handen och PLACERA INTE något objekt på trampolinen när den används. PLACERA INTE trampolinen under överhängande föremål som trädgrenar, ledningar osv. eftersom dessa ökar risken för skador.



DÅLIGT UNDERHÅLL AV TRAMPOLIN: En dåligt underhållen trampolin ökar risken för skador. Kontrollera trampolinen före varje användning och lägg speciellt märke till böjda stålrör, trasig matta, lösa eller trasiga fjädrar och trampolins allmänna stabilitet.



VÄDERFÖRHÅLLANDEN: Varning. Använd inte under starka vindförhållanden och säkra trampolinen. Var uppmärksam på väderförhållanden när du använder trampolinen. Använd inte trampolinen när det är blött ute. Om det är för blåsigt kan användaren förlora kontrollen.



BEGRÄNSA ÅTKOMST: När trampolinen inte används ska stegen alltid förvaras på ett säkert ställe så att barn inte kan leka på trampolinen utan tillsyn.

2.3 Tips för att minska risken för olyckor



För att minska olycksfallsrisken bör "TRAMPOLINANVÄNDAREN:

- Alltid behålla kontrollen i hoppen och i kroppspositionen.
- Inte försöka att utföra övningar som är för svåra och inte matchar användarens färdigheter.
- Läsa och förstå hoppet genom att hoppa upp och landa i mitten av trampolinen.
- Alltid kontrollera sitt hopp genom att hoppa upp och landa i mitten av trampolinen.
- Varning. Hoppa alltid i mitten av mattan. Alltid hoppa vertikalt och avstå från att hoppa mot fjädrarna i något riktning.
- Allid rådfråga en professionellt certifierad trampolininstruktör innan man försöker att utföra något svårare än basteknikerna.

För att minska olycksfallsrisken bör "DEN SOM HÅLLER UPSIKT:

- Helt och hållet förstå och driva igenom säkerhetsregler och guidelines.
- Ge trampolinanvändaren råd och kunskap om vad de gör rätt och fel för att säkerställa trampolinanvändarens säkerhet.
- Vara medveten om och ge råd till trampolinanvändaren om alla säkerhetsföreskrifter.
- Varning. Gå inte ut ur trampolinen med ett hopp.

VIKTIGT: om trampolinen inte kan övervakas måste det finnas en bra metod för att säkra den och förhindra någon från att använda produkten tills den kan övervakas igen.

2.4 Trampolinsäkerhetsföreskrifter

RÅDGIVNINGSFÖRESKRIFTER FÖR ATT ANVÄNDA TRAMPOLINEN



- Använd inte trampolinen om du har druckit alkohol eller tagit narkotiska preparat.
- Du bör klättra uppå och av trampolinen på ett kontrollerat och försiktigt sätt. Hoppa aldrig uppå eller av trampolinen och använd aldrig trampolinen som ett sätt att studsas in i eller till en annan objekt.
- Lär dig alltid bashoppen och se till att bemästra dem innan du försöker dig på svårare typer av hopp. Gå igenom avsnittet om grundläggande färdigheter för att lära dig hur du utför bashoppen.
- För att stoppa din studs, böj knäna mjukt när du landar på fötterna.
- Ha alltid kontroll när du hoppar på trampolinen. Ett kontrollerat hopp är när du landar på samma ställe varifrån du studsade upp. Om du någon gång känner att du inte har kontroll, sluta hoppa genast.
- Hoppa eller studsas inte under längre tidsperioder eller för högt under ett antal hopp. Håll dina ögon fästa på mattan för att behålla kontrollen. Om du inte gör det kan du förlora balansen.
- Låt aldrig mer än 1 person åt gången använda trampolinen. Kollisionsrisk.

RÅDGIVNINGSFÖRESKRIFTER FÖR ATT ÖVERVAKA TRAMPOLINEN

VIKTIGT: Bekanta dig med de grundläggande hoppen och säkerhetsreglerna. För att förhindra och minska risken för skador, se till att du lär dig de grundläggande studsarna innan du testar mer avancerade tekniker.

- ALLA ANVÄNDARE måste övervakas, oavsett färdighet eller ålder.
- Använd aldrig trampolinen när den är blöt, skadad, smutsig eller sliten. Trampolinen bör inspekteras innan den används.
- Ta alltid undan alla föremål som skulle kunna störa under användningen av trampolinen. Var uppmärksam på vad som finns över, under och runt trampolinen.
- För att förhindra oövervakad och otillåten användning måste trampolinen alltid säkras.

2.5 Olycksklassificering & identifikation



GÅ UPP PÅ OCH NER FRÅN MATTAN:

Var mycket försiktig när du går upp på och ned från trampolinen.

Gå **INTE** upp på trampolinen genom att ta tag i ställningens skydd, kliva på fjädrarna eller genom att hoppa på trampolinens matta från ett föremål (t.ex. en altan, ett tak eller en stega). Detta anses vara mycket farligt. Gå **INTE** av genom att hoppa av trampolinen och landa på marken. Om små barn leker på trampolinen kan de behöva hjälp att komma upp på och ta sig av trampolinen.



ALKOHOL- ELLER DROGANVÄNDNING:

Drick **INTE** alkohol och ta inga droger (detta inkluderar medicin som kan påverka användarens koordination) när du använder denna trampolin. Detta anses vara mycket farligt eftersom dessa främmande substanser påverkar ditt omdöme, din reaktionstid och din allmänna fysiska koordinationsförmåga på ett negativt sätt.



FLERA ANVÄNDARE:

Endast en användare åt gången; risk för kollision!



TRÄFFA FJÄDERRAMEN:

När du leker på trampolinen bör du **STANNA** i mitten av trampolinmattan. Detta minskar risken att du skadas genom att landa på fjäderramen. Se till att ramskyddet alltid täcker trampolinställningen. Hoppa **INTE** eller gå på ramskyddet eftersom det inte är designat för att hålla för en människas vikt.



KONTROLLFÖRLUST:

Försök **INTE** att utföra några svåra manövrar innan du har lärt dig att bemästra grunderna. Om du inte följer dessa guidelines ökar risken att någon skadas.

WARNING: ta en paus var tionde minut.

3.0 TRAMPOLIN-TEKNIKER

GRUNDLÄGGANDE FÄRDIGHETER

GRUNDLÄGGANDE FÄRDIGHET 1: bashoppet



- Börja i startpositionen, med fötterna axelbrett isär, huvudet rakt fram och blicken på trampolinmattan.
- Sväng armarna framåt och upp över huvudet i en cirkel rörelse.
- För ihop ben och fötter i luften och sträck på tårna.
- Landa på mattan igen med fötterna axelbrett isär (samma som startpositionen).
- Försök att gå till nästa färdighet när du väl känner dig bekväm med och har lärt dig det här.

GRUNDLÄGGANDE FÄRDIGHET 2: knäfallet

- Börja med ett lågt bashopp (som beskrivet i GRUNDLÄGGANDE FÄRDIGHET 1).
- Landa på knäna axelbrett isär, med rak rygg och en stark kroppsposition genom att sträcka armarna utåt sidorna eller framåt för att hålla balansen.
- Hoppa tillbaka till den grundläggande hoppositionen genom att använda kraften i studsens och svänga dina armar över huvudet.
- När du har bemästrat detta på denna höjd, försök att studsas lite högre, men kom ihåg att alltid hålla kontrollen över din höjd.



GRUNDLÄGGANDE FÄRDIGHET 3: sätesfallet



- Börja med låga bashopp (GRUNDLÄGGANDE FÄRDIGHET 1) i normal position.
- Landa med benen usträckta framför dig, med händerna på höfterna och ryggen rak i en stark kroppsposition.
- Använd kraften i studsens och ett fråntryck med händerna för att återgå till en stående position.
- När du har bemästrat detta på denna höjd, försök att studsas lite högre, men kom ihåg att alltid hålla kontrollen över din höjd.

VIKTIGT: rådfråga alltid en utbildad trampolininstruktör innan du försöker dig på mer avancerade färdigheter för att säkerställa att högsta möjliga säkerhetsnivå upprätthålls.

AVANCERADE FÄRDIGHETER

AVANCERAD FÄRDIGHET 1: bashoppet



- Börja med låga bashopp (GRUNDLÄGGANDE FÄRDIGHET 1) i normal position.
- Landa på händer och knän på samma gång, se till att ryggen är horisontell mot studsattan och att händer och ben är på axelbrett avstånd från varandra också.
- Använd trycket för att studsa upp och skjut ifrån m,ed händerna för att återkomma till en stående position.
- När du har bemästrat detta på denna höjd, försök att studsa lite högre, men kom ihåg att alltid hålla kontrollen över din höjd.
- Försök gå vidare till nästa färdighet när du känner dig bekväm med detta och skicklig på det du gör

AVANCERAD FÄRDIGHET 2: händer och fötter till framåtfallande

- Landa på händer och knän på samma gång, se till att ryggen är horisontell mot studsattan och att händer & ben är på axelbrett avstånd från varandra också.
- Bibehåll en stark kroppsposition med ryggen horisontellt mot mattan, räta ut benen bakom dig och vik armarna framför ansiktet i luften redo att landa på mattan i en liggande position .
- Se till att landningen görs så att alla kroppsdelar vidrör mattan samtidigt.
- Tryck ifrån med händerna och återgå till stående position.
- När du har bemästrat detta på denna höjd, försök att studsa lite högre, men kom ihåg att alltid hålla kontrollen över din höjd. Försök gå vidare till nästa färdighet när du känner dig bekväm och kompetent med detta.



AVANCERAD FÄRDIGHET 3: falla framåt



- Börja med låga bashopp (GRUNDLÄGGANDE FÄRDIGHET 1) i normal position.
- Bibehåll en stark kroppsposition med ryggen horisontellt mot mattan, räta ut benen bakom dig och vik armarna framför ansiktet i luften redo att landa på mattan i en liggande position .
- Se till att landningen görs så att alla kroppsdelar vidrör mattan samtidigt.
- Tryck ifrån med händerna och återgå till stående position.
- När du har bemästrat detta på denna höjd, försök att studsa lite högre, men kom ihåg att alltid hålla kontrollen över din höjd.

VIKTIGT: om du skulle vilja gå vidare och lära dig fler avancerade tekniker för trampolinhopning, rådgråga en kvalificerad och registrerad instruktör.

4.0 ALLMÄN INFORMATION

- Självsäkrande muttrar och bultar är lämpliga för en enda montering och måste bytas ut efter nedmontering av trampolin och/eller säkerhetsnät.
- Säkerhetsnätet har begränsad hållbarhet, byt ut efter 2 års användning.
- Det rekommenderas att placera trampolinerna på en plan yta på minst 2 m avstånd från andra överbyggnader eller barriärer, t.ex. staket, garage, hus, trädgrenar, tvättlinor eller elektriska kablar.
- Trampolinen får inte placeras över en hård yta som asfalt eller betong etc.
- Byt ut defekta delar enligt leverantörens rekommendation.
- Ändringar av trampolinen (t.ex. en tillagd accessoar) måste utföras enligt leverantörens anvisning.

5.0 TRAMPOLINMONTERING

MONTERING STEG FÖR STEG

Får endast monteras av vuxen.

För att montera denna trampolin behöver du vårt speciella fjäderspännarverktyg som levereras med produkten. Om trampolinen inte används under en längre tid kan den lätt nedmonteras och förvaras. Läs monteringsinstruktionerna innan du börjar att montera denna produkt.

Se tabellen för beskrivning av och nummer på de olika delarna. Monteringsanvisningarna refererar till dessa beskrivningar och nummer.

Se till att du har alla delar som finns i listan. Om du saknar en del kontaktar du ditt återförsäljarställe.

Använd handskar för att skydda dina händer från klämskador under monteringen. När du är redo att börja, se till att du har en stor, torr yta för monteringen.

Du kan hitta monteringsstegen i kapitel 5.0 (sikdorna 124-134)

6.0 SKÖTSEL OCH UNDERHÅLL

Trampolinen har designats och tillverkats i högkvalitativa material och med yrkesskicklighet. Om råden för skötsel och underhåll följs kommer den att ge årtal av träning och hoppglädje till alla användare och samtidigt minska skaderisken. Följ de guidelines som listas nedan:

Denna trampolin är designad för att klara av en bestämd vikt och användning. Se till att bara en person i taget använder trampolinen. De som hoppar bör använda antingen strumpor, gymnastiskor eller vara barfota när de använder trampolinen. Tänk på att INTE bära promenadskor eller tenniskor när du använder trampolinen. För att förhindra att trampolinen rivs sönder eller skadas, se till att inga husdjur kommer upp på mattan. Alla som hoppar måste också ta av sig alla vassa objekt innan de använder trampolinen. Vassa eller spetsiga föremål bör alltid hållas borta från trampolinmattan.

Anvisningar för underhåll

Se till att utföra kontroller och underhåll av huvuddelarna (ram, upphängningssystem, matta, skydd och nät) i början av varje säsong och därmed med jämna mellanrum varannan vecka. Om dessa kontroller inte görs kan trampolinen bli farlig att använda!

- Se till att kardborrebandet är ordentligt stängda vid användning av trampolinen!
- Det är nödvändigt att kolla om alla muttrar och bultar är ordentligt åtdragna och att dra åt dem vid behov.
- Det måste kollas att alla fjäder-anslutningar (låsspinne) är oskadade inte rör sig under hoppningen;
- Alla skruvskydd och vassa kanter måste kollas och ersättas vid behov;
- Underhållsanvisningarna måste behållas

Kontrollera alltid trampolinen innan du använder den och leta efter slitna, skadade eller saknade delar. Ett antal saker kan öka skaderisken. Leta efter:

- Hål eller revor i trampolinmattan
- Bågnande trampolinmatta
- Lösa sömmar eller alla slags förslitningar på mattan
- Böjda eller brutna delar på ramen, t.ex. benen
- Brutna, saknade eller skadade fjädrar
- Skadat, saknat eller felaktigt fastsatt ramskydd
- Utbuktningar av alla slag (speceillt vassa sådana) på ramen, fjädrarna eller mattan

OM DU HITTAR NÅGOT AV DE NÄMNDNA SAKERNA, ELLER NÅGOT ANNAT SOM DU KÄNNER KAN ORSAKA SKADA FÖR ANVÄNDARNA, SKA TRAMPOLINEN DEMONTERAS ELLER SÄKRAS FRÅN ANVÄNDNING TILLS DESSA HAR ÅTGÄRDATS.

BLÅSIGA FÖRHÅLLANDEN

Vid stark vind kan trampolinen blåsa omkring. Om du förväntar dig blåsiga väderförhållanden bör trampolinen flyttas till ett skyddat område eller demonteras. Ett annat alternativ är att fästa trampolinsens underdel (topp-ramen) vid marken med linor och pålar. För att säkerställa att det är säkert måste minst tre (3) fästen användas.

FLYTTA TRAMPOLINEN

Om du behöver flytta trampolinen bör två personer göra det. Alla kontaktpunkter måste lindas ordentligt med väderbeständig tejp, t.ex. silvertejp. Detta kommer att hålla ramen intakt under flytten och förhindra att kopplingspunkterna lossnar och delar på sig. När du flyttar den, lyft trampolinen något över marken och håll den horisontellt över marken. För annan slags förflyttning bör du montera ner trampolinen.

VINTER

I vissa länder under vintern kan snödrivor och låga temperature skada trampolinen. Vi rekommenderar att ta bort snön och att förvara mattan och nätet inomhus.

7.0 GARANTI

1. Efter datumet för inköpsfakturan har ägaren av EXIT PeakPro trampolin en:
 - 10 års garanti på brott i ramen
 - 5 års garanti på fjädrarna
 - 2 års garanti på ramskyddet och studsattan.
 - 2 års garanti på sönderrivet nät
2. Garantin gäller endast material- och konstruktionsfel avseende denna produkt eller dess komponenter.
3. Garantin upphör att gälla om:
 - Denna produkt används felaktigt och/eller slarvigt och används på ett sådant sätt att det inte överensstämmer med dess syfte.
 - Denna produkt inte har monterats och underhållet enligt instruktionsboken.
 - Tekniska reparationer har gjorts på denna produkt vilka inte är professionellt utförda.
 - Delar, som har lagts till efteråt, inte följer de tekniska specifikationerna som gäller produkten eller är monterade på ett inkorrekt sätt.
 - Defekter som är ett resultat av klimatpåverkan såsom korrosion, UV-strålar eller normal förslitning.
 - Denna produkt har hyrts ut eller gjorts tillgänglig för alla slags ospecificerade personer på något sätt.
4. EXIT Toys kommer att reparera eller byta ut alla material- och konstruktionsfel - med material som EXIT Toys väljer - som har konstaterats är EXITToys under garantitidens tidsperiod.
5. Ägaren till EXIT Toys -trampolinen har bara rätt till garantin om hen gör produkten tillgänglig för inspektion hos en EXIT Toys -återförsäljare. Den ska överlämnas till EXIT Toys -återförsäljaren, tillsammans med den ursprungliga fakturan.
6. Vid material- och konstruktionsfel som har konstaterats av EXIT Toys kommer produkten eller dess komponenter att repareras eller bytas ut - enligt EXIT Toys val - kostnadsfritt under garantiperioden som nämns i artikel 1.
7. Om garantianspråken inte är motiverade läggs alla kostnader på ägaren.
8. Denna garanti kan inte överföras till tredje part.
9. Trampolinen är designad för privat bruk. Det är inte tillåtet att hyra ut eller placera trampolinen i allmänna utrymmen som skolor eller daghem. Garantin och allt annat ansvar upphör att gälla om trampolinen hyrs ut eller används i allmänna utrymmen.

1.0 Úvod

Blahoželáme k výberu trampolíny EXIT PeakPro!

Zabávajte sa, buďte aktívni a hrajte sa vonku.....

To je to, či nás ženie k vývoju inovatívnych, kvalitných hračiek pre skvelé deti.

Robíme všetko preto, aby sme vyvíjali bezpečné výrobky pre deti. Pretože naše výrobky sú klasifikované ako hračky, dodržiavame najprísnejšie zákaznicke bezpečnostné predpisy. Pred uvedením našich výrobkov na trh sme vykonali nezávislé testy na certifikáciu. Neustále tiež testujeme naše výrobné procesy a pravidelne vykonávame nezávislé testy ako ďalšiu kontrolu. Značkami EXIT sú označené a uznané iba výrobky, ktoré spĺňajú najvyššie štandardy hračiek EXIT.

“Chceme sa vám poďakovať za vašu priazeň a dôveru v tento produkt. Sme si istí, že vaše deti sa budú baviť tak, ako sme sa bavili my počas vývoja. Otvorene hovoríme, že si skutočne vážime všetky komentáre a nápady, ktoré nám pomôžu vylepšiť naše výrobky alebo vyvíjať nové. Svoje nápady nám pošlite na adresu info@exit-toys.com”

Navštívte www.exittoys.com a objavte viac skvelých nových produktov. Tím EXIT Toys

2.0 POKYNY NA BEZPEČNÉ POUŽÍVANIE

Používanie produktu podľa pokynov v tejto príručke eliminuje prakticky všetky riziká. Avšak nezabúdajte, že deti majú naliehavú potrebu hrať sa a že to môže viesť k nepredvídaným nebezpečným situáciám, za ktoré výrobca nemôže niesť zodpovednosť. Naučte svoje deti ako majú používať produkt a upozornite ich na možné nebezpečenstvá, ktoré im hrozia.

Pred zmontovaním a používaním produktu si prečítajte a dodržiavajte tieto hlavné varovania:



VAROVANIE



Na vyhnutie sa vážnemu úrazu:

- Prečítajte si a pochopte príručku pred používaním.
- VAROVANIE: Iba na domáce a vonkajšie používanie.
- VAROVANIE: RIZIKO UDUSENIA! - Malé diely.
Nie pre deti mladšie ako 3 roky .
- VAROVANIE: Naraz iba jeden používateľ; nebezpečenstvo zrážky!
- VAROVANIE: Nerobte saltá alebo iné ťažké skoky!
- VAROVANIE: Vyprázdnite si vrecká a ruky pred skákaním!
- VAROVANIE: Je nevyhnutný neustály dozor dospelého .
- VAROVANIE: Nepoužívajte trampolínu, keď je mokrá.
- VAROVANIE: Trampolína musí byť zmontovaná dospelým .
podľa montážnych pokynov a následne skontrolovaná pred prvým použitím.
- VAROVANIE: Nejedzte počas skákania.
- VAROVANIE: Vždy skáčajte v strede trampolíny.
- VAROVANIE: Pred skákaním vždy zatvorte otvor v sieti .
- VAROVANIE: Nepoužívajte za silného vetra a zaistite trampolínu.
- VAROVANIE: Nevyskakujte preč z trampolíny .
- VAROVANIE: Obmedzte dobu nepretržitého používania (robte si pravidelné prestávky).
- VAROVANIE: Skáčajte bosí.
- Max. váha používateľa: 13.12.15.00: 130 kg

2.1 Varovania pre bezpečné používanie:

- PRED PRVÝM POUŽITÍM SVOJEJ TRAMPOLÍNY: Prečítajte si a pochopte informácie uvedené v tejto príručke. Ako u všetkých športov a aktivít, existuje riziko úrazu zúčastnených. Na zaistenie vašej budúcej zábavy a prevenciu úrazu, určite dodržiavajte príslušné bezpečnostné pravidlá a rady.
- Ušchovajte si túto príručku na budúce použitie; obsahuje dôležité informácie.
- VŽDY SA PORAĎTE S DOKTOROM/LEKÁROM PRED VYKONÁVANÍM AKÉHOKOLVEK DRUHU FYZICKEJ AKTIVITY.
- VŽDY SKONTROLUJTE SVOJU TRAMPOLÍNU PRED POUŽÍVANÍM, VENUJÚC ZVLÁŠTNU POZORNOSŤ VŠETKÝM SKRUTKÁM, SKÁKACEJ PLOCHE A POLOHE VANKUŠOV. NEPOUŽÍVAJTE, AK KTORÉKOĽVEK DIELY CHÝBAJÚ ALEBO VYZARAJÚ, ŽE SÚ OPOOTREBOVANÉ A ROZTRHNUTÉ.
- VŽDY ZABEZPEČTE, ABY PRI KAŽDOM POUŽÍVANÍ TRAMPOLÍNY KÝMKOLVEK, NA AKEJKOLVEK ÚROVNI SCHOPNOSTI, TO ROBIL POD DOHLADOM.
- Ihneď prestaňte skákať, ak sa začnete cítiť zle alebo pocítite bolesť v kĺboch a svaloch. Závrat je znakom únavy a musíte prestať skákať a ľahnite si na zem, ak pociťujete závrat.
- Pri používaní tejto trampolíny buďte vhodne oblečení, najlepšie športovo a majte obuté ponožky.
- Upozorňujeme, že trampolína je založená na pružine a umožní užívateľovi skočiť do väčšej výšky, ako pri skákaní zo zeme, preto na to nezabudnite a zabezpečte, aby ste najprv pohodlne skákali do malých výšok .
- Správna montáž, starostlivosť a údržba výrobku, bezpečnostné tipy, výstrahy a správne techniky skákania na trampolíne sú súčasťou tejto príručky pre vašu bezpečnosť a predĺženie životnosti produktu. Všetci používatelia a dohliadajúci by sa preto mali oboznámiť s týmito pokynmi. Každý, kto sa rozhodne používať trampolínu, si musí byť vedomý vlastných obmedzení, pokiaľ ide o schopnosti na tejto trampolíne.
- Trampolína sa musí montovať na trávu alebo na bezpečnostnú rohož schválenú BSI. Nesmie sa namontovať na betóne, asfalte alebo akomkoľvek tvrdom povrchu ani blízko iných prekážajúcich inštalácií (napríklad detské bazéniky, hojdačky, kĺzačky, preliezačky)
- Premiestnenie trampolíny. Ak je potrebné trampolínu a ohradu premiestniť, musí byť premiestňovaná dvomi osobami, stále v horizontálnej polohe, a mierne nadvihnutá. Ak je to potrebné, trampolínu a ohradu možno oddeliť od seba kvôli premiestneniu. Pri rozdeľovaní trampolíny, vykonajte kroky v opačnom poradí ako pri jej montáži .
- Trampolínu umiestnite na vodorovný povrch aspoň 2 m od akejkoľvek konštrukcie alebo prekážky ako je napríklad plot, garáž, dom, prevísajúce konáre stromu, šnúry na prádlo alebo elektrické drôty.
- Pri chýbajúcich alebo zlomených dieloch, kontaktujte miesto zakúpenia a požiadajte o pomoc.
- Úpravy vykonané zákazníkom na pôvodnej trampolíne (napríklad pridanie príslušenstva) musia byť urobené podľa pokynov výrobcu.
- Nezodpovedáme za žiadne úrazy, ku ktorým môže dôjsť pri používaní trampolíny.

2.2 Používanie trampolíny

Na začiatku by ste si mali zvyknúť na svoju trampolínu a pochopiť, koľko pružnosti je v každom odraze. Musíte sa sústrediť na polohu tela a techniku, kým každý skok nedokončíte s ľahkosťou a pod kontrolou.



- PREDTÝM, NEŽ SA POKÚSITE SKÁKAŤ PRÍLIŠ VYSOKO, musíte sa naučiť techniku zastavenia, pretože vám táto môže pomôcť zabrániť úrazu, keby ste cítili, že nemáte kontrolu nad skákaním .
- Keď používateľ dopadne na trampolínu, kolená sa musia ohnúť, aby absorbovali pružnosť trampolíny a zastavili skákanie. Táto poloha je znázornená na obrázku vľavo. Ruky sú rozpažené kvôli zvýšeniu rovnováhy.
- Táto schopnosť sa využíva, keď si používateľ trampolíny praje prestať skákať kvôli únave, strate kontroly, atď.



SALTÁ (PREVRATY): NEROBTE saltá žiadneho typu (dopredu alebo dozadu) na tejto trampolíne. Keď urobíte chybu pri pokuse o salto, môžete dopadnúť na hlavu alebo krk. Toto zvýši šancu zlomenia si krku alebo chrbta, dôsledkom čoho môže byť smrť alebo ochrnutie



CUDZIE PREDMETY: NESMIETE používať trampolínu, ak sú pod ňou domáce zvieratá, iní ľudia alebo akékoľvek predmety. Toto zvýši možnosť vzniku úrazu. NESMIETE držať v ruke žiadne cudzie predmety a NESMIETE klásť žiadne predmety na trampolínu, keď skáčete. NESMIETE trampolínu umiestňovať pod previsajúce predmety ako napríklad konáre stromu, drôty, atď., pretože tieto zvýšia riziko vzniku úrazu.



ZLÁ ÚDRŽBA TRAMPOLÍNY: Trampolína v zlom stave zvýši riziko vzniku úrazu. Pred každým použitím trampolíny skontrolujte, či nemá ohnuté oceľové rúrky, roztrhnutú skákaciu plochu, uvoľnené alebo roztrhnuté pružiny a celkovú stabilitu trampolíny.



POVETERNOSTNÉ PODMIENKY: Varovanie. Nepoužívajte ju za silného vetra a trampolínu zaistite. Pri používaní trampolíny nezabudnite na poveternostné podmienky. Trampolínu nepoužívajte, keď je mokrá. Ak je príliš vetrovo, používateľ by mohol stratiť kontrolu nad skákaním.



OBMEDZENIE PRÍSTUPU: Keď sa trampolína nepoužíva, vždy odložte prístupový rebrík na bezpečné miesto, aby sa deti bez dozoru nemohli hrať na trampolíne.

2.3 Rady na zníženie rizika vzniku úrazov



Na zníženie rizika vzniku nehody, "POUŽÍVATEĽ TRAMPOLÍNY" musí:

- Mať vždy kontrolu nad svojimi skokmi a polohou tela .
- Nepokúšať sa robiť skákacie prvky, ktoré sú mimo úrovne jeho kompetencie.
- Prečítajte si a naučte sa skok vyskočením a dopadom do stredu trampolíny.
- Vždy ovládajte svoje skákanie tak, že vyskočíte a dopadnete do stredu trampolíny.
- Varovanie. Vždy skáčajte v strede skákacej plochy. Vždy skáčajte vertikálne a vyhýbajte sa skákaním smerom k pružinám v akomkoľvek smere.
- Vždy sa poraďte s profesionálne certifikovaným inštruktorom na trampolíny, než sa pokúsite o niečo, čo je mimo základných techník skákania.

Na zníženie rizika vzniku nehody, "DOHLIADAJÚCI" musí:

- Plne chápať a presadiť všetky bezpečnostné pravidlá a zásady.
- Poradte užívateľovi trampolíny a poskytnite vedomosti o tom, čo robí správne a čo nie, aby ste zaistili bezpečnosť používateľa trampolíny .
- Buďte si vedomí a poskytujte používateľovi trampolíny rady týkajúce sa bezpečnostných varovaní.
- Varovanie. Z trampolíny neodchádzajte skokom.

DÔLEŽITÉ: Ak nie je možné vykonávať dohľad nad trampolínou, mala by existovať metóda na jej zabezpečenie a zabránenie komukoľvek používať výrobok, až kým nebude k dispozícii dohľad.

2.4 Bezpečnostné pokyny k trampolíne

PORADNÉ BEZPEČNOSTNÉ OPATRENIA PRI POUŽÍVANÍ TRAMPOLÍNY



- Nepoužívajte trampolínu, ak ste požili alkohol alebo omamné látky
- Na trampolínu musíte nastupovať a vystupovať kontrolovaným a opatrným spôsobom. Nikdy nevyskakujte na alebo nezoskakujte z trampolíny a nikdy nepoužívajte trampolínu ako prostriedok na vyskočenie na iný objekt.
- Pred vyskúšaním zložitejších typov výskokov sa vždy naučte základné odrazy a zvládnite každý typ výskokov. Pozrite si časť so základnými skúsenosťami, aby ste sa naučili ako robiť základné veci.
- Na zastavenie skoku, ohnite kolená pri dopade na nohy.
- Pri skákaní na trampolíne majte vždy všetko pod kontrolou. Skákanie pod kontrolou znamená, že dopadnete na to isté miesto, z ktorého ste vyskočili. Ak kedykoľvek cítite, že nemáte kontrolu, ihneď zastavte skákanie .
- Neskáčte príliš dlho alebo príliš vysoko pri viacerých skokoch. Na udržanie kontroly sa dívajte na skákaciu plochu. Ak nie, mohli by ste stratiť rovnováhu.
- Na trampolíne musí byť vždy iba jedna osoba. Riziko zrážky.

PORADNÉ BEZPEČNOSTNÉ OPATRENIA PRI DOHĽADE NAD TRAMPOLÍNOU

DÔLEŽITÉ: Oboznámte sa so základnými skokmi a bezpečnostnými pravidlami. Aby ste predišli zraneniam a znížili riziko ich vzniku, ubezpečte sa, že sa dodržiavajú všetky bezpečnostné pravidlá a noví používatelia sa učia základné odrazy predtým, ako vyskúšajú pokročilejšie techniky.

- VŠETCI POUŽÍVATELIA musia byť pod dohľadom, bez ohľadu na stupeň ich zručnosti alebo vek.
- Nikdy nepoužívajte trampolínu, keď je mokrá, poškodená, špinavá alebo opotrebovaná. Trampolína musí byť pred používaním skontrolovaná .
- Vždy udržiavajte všetky objekty, ktoré by mohli prekážať, preč od trampolíny . Budte si vedomí toho, čo je nad, pod a okolo trampolíny.
- Na zabránenie používania bez dohľadu a povolenia, trampolína musí byť vždy zabezpečená .

2.5 Klasifikácia a identifikácia nehody



MONTÁŽ A DEMONTÁŽ:

Pri výstupe na a zostupe z trampolíny buďte veľmi opatrní. NEVYSTUPUJTE na trampolínu chytaním za vankúš rámu, šliapaním na pružiny alebo skokom na skákaciu plochu trampolíny z objektu (napríklad poschodia, strechy alebo rebríka). Toto je považované za vysoko nebezpečné. NESMIETE zostupovať z trampolíny zoskočením na zem. Ak sa na trampolíne hrajú malé deti, možno budú potrebovať pomoc pri vystupovaní a zostupovaní.



POUŽÍVANIE ALKOHOLU ALEBO LIEKOV

NESMIETE piť žiadny alkohol alebo brať akékoľvek lieky (sem patrí medicína, ktorá by mohla ovplyvniť koordináciu používateľov) pri používaní tejto trampolíny. Toto je považované za veľmi nebezpečné, pretože tieto cudzie látky zhoršujú váš úsudok, dobu reakcie a celkovú telesnú koordináciu.



VIACERÍ POUŽÍVATELIA:

Vždy iba jeden používateľ: nebezpečie zrazenia sa!



NARAZENIE DO RÁMU S PRUŽINAMI:

Pri hraní sa na trampolíne, BUĎTE v strede skákacej plochy trampolíny. Toto zníži riziko vzniku úrazu dopadnutím na rám s pružinami. Vankúše rámu musia vždy zakrývať rám trampolíny. NESMIETE skákať alebo stúpať priamo na vankúš rámu, pretože nie je určený na to, aby zniesol váhu osoby.



STRATA KONTROLY:

NESMIETE skúšať ťažké manévry, kým nezvládnete základy. Ak nespĺňate tieto pokyny, zvýšite riziko, že sa niekto zraní.

VAROVANIE: Každých 10 minút si urobte prestávku.

3.0 TECHNIKY NA TRAMPOLÍNE

ZÁKLADNÉ ZRUČNOSTI

ZÁKLADNÁ SCHOPNOSŤ 1: Základný výskok



- Začnite zo stojacej polohy, s nohami rozkročenými na šírku ramien, hlavou nahor a očami hľadiacimi na skákaciu plochu.
- Otáčajte ruky dopredu a hore nad hlavu kruhovým pohybom.
- Držte nohy a chodidlá pri sebe vo vzduchu a natiahnite prsty na nohách nadol.
- Dopadnite späť na skákaciu plochu s nohami rozkročenými na šírku ramien (rovnako ako v štartovacej polohe).
- Prečo nepostúpiť na nasledujúci stupeň zručnosti, keď sa cítite pohodlne a zdatne.

ZÁKLADNÁ SCHOPNOSŤ 2: Dopad na kolená

- Začnite nízkym základným výskokom (ako je podrobne popísané v ZÁKLADNÁ SCHOPNOSŤ 1).
- Dopadnite na kolená rozľahnuté na šírku ramien, so vzpriameným chrbtom a pevným telom s rukami vystretými do strán alebo dopredu, na udržanie rovnováhy.
- Skočte späť do základnej polohy využitím zotrvačnosti skoku a vztýčením rúk nad hlavu.
- Po zvládnutí tejto výšky, skúste vyskočiť trochu vyššie, ale nezabudnite vždy mať pod kontrolu svoju výšku.



ZÁKLADNÁ SCHOPNOSŤ 3: Dopad do sedu



- Začnite s nízkym základným výskokom (ZÁKLADNÁ SCHOPNOSŤ 1) v normálnej polohe.
- Dopadnite s nohami napriamenými pred sebou, s rukami vedľa bokov a vzpriameným chrbtom a pevným telom.
- Využite zotrvačnosť skoku a zatlačením rukami na skákaciu plochu sa vráťte do stojacej polohy.
- Po zvládnutí tejto výšky, skúste vyskočiť trochu vyššie, ale nezabudnite vždy mať pod kontrolu svoju výšku.

DOLEZITE: Poradte sa so skúseným inštruktorom na trampolíny predtým, než sa pokúsíte o akékoľvek pokročilé skoky, na zaistenie najvyššej možnej úrovne bezpečnosti.

POKROČILÉ SCHOPNOSTI

POKROČILÁ SCHOPNOSŤ 1: Základný výskok



- Začnite nízkym základným výskokom (ZÁKLADNÁ SCHOPNOSŤ 1) v normálnej polohe.
- Dopadnite na skákaciu plochu súčasne na ruky a kolená, s chrbtom v horizontálnej polohe a rukami a taktiež nohami od seba na šírku ramien .
- Využite zotrvačnosť skoku a odrazte sa rukami, aby ste sa dostali do stojacej polohy.
- Po zvládnutí tejto výšky, skúste vyskočiť trochu vyššie, ale nezabudnite vždy mať pod kontrolou svoju výšku.
- Skúste prejsť na nasledujúcu úroveň schopnosti, keď sa cítite pohodlne a zdatne.

POKROČILÁ SCHOPNOSŤ 2: Ruky a kolená na dopad dopredu

- Dopadnite na skákaciu plochu súčasne na ruky a kolená, s chrbtom v horizontálnej polohe a rukami a taktiež nohami od seba na šírku ramien .
- Udržte pevné telo s chrbtom v horizontálnej polohe a natiahnite nohy za seba a ohnite ruky pred tvár vo vzduchu, pripravení dopadnúť na skákaciu plochu v ležiacej polohe.
- Zaistite, aby ste dopadli na skákaciu plochu tak, aby ste sa jej dotkli súčasne celým telom .
- Odrazte sa rukami a vráťte sa do stojacej polohy.
- Po zvládnutí tejto výšky sa skúste odraziť trochu vyššie, ale nezabudnite si vždy udržiavať pod kontrolou svoju výšku. Skúste prejsť na nasledujúcu schopnosť keď sa cítite pohodlne a zdatne.



POKROČILÁ SCHOPNOSŤ 3: Predná dopad



- Začnite s nízkym základným výskokom (ZÁKLADNÁ SCHOPNOSŤ 1) v normálnej polohe.
- Udržte pevné telo s chrbtom v horizontálnej polohe a natiahnite nohy za seba a ohnite ruky pred tvár vo vzduchu, pripravení dopadnúť na skákaciu plochu v ležiacej polohe.
- Zaistite, aby ste dopadli na skákaciu plochu tak, aby ste sa jej dotkli súčasne celým telom .
- Odrazte sa rukami a vráťte sa do stojacej polohy.
- Po zvládnutí tejto výšky, skúste vyskočiť trochu vyššie, ale nezabudnite vždy mať pod kontrolou svoju výšku.

DÔLEŽITÉ: Ak si želáte postúpiť ďalej a naučiť sa pokročilejšie techniky na trampolíne, poraďte sa s kvalifikovaným a registrovaným inštruktorom.

4.0 VŠEOBECNÉ INFORMÁCIE

- Samoistiacie matice a skrutky sú vhodné ba na jednorazové nastavenie a musia sa vymeniť po poruche trampolíny a/alebo bezpečnostnej siete.
- Bezpečnostná sieť má obmedzenú trvanlivosť, vymeňte ju po 2 rokoch používania.
- Je odporúčané umiestniť trampolínu na rovnú a vodorovnú plochu so vzdialenosťou aspoň 2 m od iných konštrukcií, alebo bariér, ako je napríklad plot, garáž, dom, konáre stromu, šnúry na prádlo alebo elektrické káble.
- Trampolína sa nesmie umiestniť nad tvrdé povrchy, ako asfalt, betón atď.
- Vadné diely vymeňte podľa odporúčania výrobcu.
- Zmeny trampolíny (napríklad prídanie príslušenstva) sa musí robiť podľa pokynov dodávateľa .

5.0 MONTÁŽ TRAMPOLÍNY

STAVBA KROK PO KROKU

Montáž môže robiť iba dospelá osoba.

Na zmontovanie trampolíny, všetko čo potrebujete, je nástroj na napnutie pružiny, dodaný s týmto produktom. Počas obdobia, keď sa trampolína nepoužíva, je možné ju ľahko rozobrať a uložiť. Pred začatím montáže si prečítajte pokyny na montáž produktu.

Pozrite si tabuľku, v ktorej sú popisy a počty dielov. Pokyny na montáž používajú tieto popisy a čísla ako referencie.

Uistite sa, že máte všetky uvedené diely. Ak vám chýbajú nejaké diely, kontaktujte miesto zakúpenia.

Počas montáže používajte ochranné rukavice ako ochranu pred ostrými hrotmi. Keď ste pripravení začať, uistite sa, že máte dost priestoru a čisté suché miesto na montáž.

Kroky montáže nájdete v kapitole 5.0 (strana 124 - 134)

6.0 STAROSTLIVOSŤ A ÚDRŽBA

Táto trampolína bola navrhnutá a vyrobená z kvalitných materiálov a profesionálne. Ak bude správne ošetrovaná a udržiavaná, poskytne všetkým skákajúcim roky cvičenia, zábavy a potešenia, ako aj zníženie rizika vzniku úrazu. Postupujte podľa nižšie uvedených inštrukcií:

Táto trampolína je navrhnutá tak, aby vydržala určitú váhu a používanie. Zabezpečte, aby trampolínu vždy používala súčasne iba jedna osoba. Skákajúci musia pri používaní trampolíny mať na sebe ponožky, cvičky alebo musia byť bosí. Majte na pamäti, že pri používaní trampolíny NESMIETE mať obuté vychádzkové topánky alebo tenisky. Aby sa predišlo prerezaniu alebo poškodeniu skákacej plochy, nedovoľte, aby sa na ňu dostali domáce zvieratá. Skákajúci sa pred používaním trampolíny musia zbaviť všetkých ostrých osobných predmetov. Každý typ ostrých alebo špicatých predmetov musí byť vždy odstránený z trampolíny .

Pokyny na údržbu

Určite vykonávajte kontroly a údržbu hlavných dielov (rám, podporný systém, skákacia plocha, vankúš a kryt) na začiatku každej sezóny a taktiež pravidelne každé 2 týždne. Ak sa tieto kontroly nevykonávajú, trampolína sa môže stať nebezpečnou!

- Uistite sa, že počas používania trampolíny sú správne spojené suché zipsy !
- Je potrebné určiť, či všetky matice a skrutky sú utiahnuté a ak je to potrebné, utiahnite ich;
- Musí sa overiť, že všetky pružne zaťažené spoje (poistný kolík) nie sú poškodené a nepohybujú sa pri hrani;
- Všetky skrutky krytu a ostré okraje musia byť skontrolované a v prípade potreby vymenené ;
- Návod na údržbu si musíte odložiť

Trampolínu pred každým použitím skontrolujte, či nie je opotrebená alebo či nemá chýbajúce diely. Mohlo by vzniknúť množstvo podmienok, ktoré môžu zvýšiť riziko vzniku úrazu. Budte si vedomí:

- Prepichnutí, otvorov alebo roztrhnutí skákacej plochy trampolíny
- Previsania skákacej plochy trampolíny
- Voľných stehov alebo akéhokoľvek druhu zhoršenia stavu skákacej plochy
- Ohnutých alebo zlomených dielov rámu, ako napríklad nôh
- Prasknutých, chýbajúcich alebo poškodených pružín
- Poškodeného, chýbajúceho alebo nesprávne pripojeného vankúša rámu
- Výstupkov akýchkoľvek typov (hlavne ostrých typov) na ráme, pružinách alebo skákacej ploche

AK NÁJDETE KTORÝKOLIEK Z PREDCHÁDZAJÚCICH STAVOV, ALEBO ČOKOLIEK INÉ, ČO BY MOHLO UBLIŽIŤ POUŽÍVATELOVI, TAK TRAMPOLÍNA SA MUSÍ ROZOBRAŤ ALEBO ZABEZPEČIŤ PRED POUŽÍVANÍM, KÝM SA TIETO STAVY NEOSTRÁNIA.

VETERNÉ PODMIENKY

Pri silnom vetre môže byť trampolína odfúknutá. Ak očakávate silný vietor, tak trampolína musí byť premiestnená na miesto chránené pred vetrom alebo rozmontovaná. Ďalšou možnosťou je ju uviazať k zemi vonkajšiu časť (horný rám) trampolíny pomocou lán a kolíkov. Na zaistenie bezpečnosti sú potrebné aspoň tri úväzy k zemi.

PREMIESTNENIE TRAMPOLÍNY

Ak potrebujete premiestniť trampolínu, musia to robiť dvaja ľudia. Všetky spoje musia byť obalené páskou odolnou voči poveternostným vplyvom. Toto zaisťuje, že rám ostane nedotknutý počas premiestňovania a zabráni narušeniu a rozpojeniu spojov. Pri premiestňovaní, mierne zdvihnite trampolínu zo zeme a držte ju v horizontálnej polohe. Pri inom spôsobe premiestňovania musíte trampolínu rozobrať.

ZIMA

V niektorých krajinách počas zimného obdobia, môže zaťaženie snehom a veľmi nízka teplota poškodiť trampolínu. Odporúča sa odstrániť sneh a uložiť skákaciu plochu a kryt do vnútorného priestoru.

7.0 ZÁRUKA

1. Po dátume na kúpnej faktúre má majiteľ trampolíny EXIT PeakPro :
 - 10-ročnú záruku na prelomenie rámu
 - 5-ročnú záruku na pružiny
 - 2-ročnú záruku na ochranný obklopujúci vankúš a skákaciu plochu.
 - 2-ročnú záruku na pretrhnutie siete
2. Záruka platí iba na materiál a konštrukčné práce týkajúce sa tohto produktu a jeho dielov.
3. Záruka zanikne ak:
 - Tento produkt je používaný nesprávne a/alebo bezstarostne a takým spôsobom, ktorý nevyhovuje jeho účelu.
 - Technické opravy tohto produktu nie sú vykonané profesionálne.
 - Diely, ktoré sú namontované dodatočne, nezodpovedajú technickým špecifikáciám produktu alebo sú namontované nesprávne.
 - Vady sú spôsobené klimatickými vplyvmi ako napríklad korózia, UV žiarenie alebo normálne rozloženie.
 - Produkt bol prenajatý alebo daný k dispozícii rôznym neuvedeným osobám akýmkoľvek iným spôsobom.
4. EXIT Toys opraví alebo vymení podľa vlastného uváženia všetky materiálové a konštrukčné vady, ktoré boli zistené spoločnosťou EXIT Toys počas záručnej doby.
5. Majiteľ trampolíny EXIT Toys má nárok na záruku iba ak najprv pošle produkt na kontrolu obchodníkovi EXIT Toys . Bude odovzdaná obchodníkovi EXIT Toys , spolu s originálnou kúpnu faktúrou.
6. V prípade materiálových a konštrukčných vád, zistených spoločnosťou EXIT Toys, produkt alebo jeho diely budú opravené alebo vymenené - podľa jej vlastného uváženia - bezplatne počas záručnej doby uvedenej v článku 1.
7. Ak nárok na záruku nie je opodstatnený, všetky náklady uhradí majiteľ.
8. Túto záruku nie je možné previesť na tretie strany.
9. Trampolína je navrhnutá na osobné používanie. Nie je možné trampolínu prenajať alebo umiestniť na verejné miesta, ako sú školy a centrá dennej starostlivosti. Záruka a akékoľvek iné záväzky prestanú platiť, ak herňa je prenášaná alebo používaná vo verejných priestoroch.

1.0 Introduzione

Congratulazioni per aver scelto un trampolino EXIT PeakPro!

Divertirsi, essere attivi e giocare all'aperto...

Questo ci guida nello sviluppo di giochi innovativi e di qualità per i bambini.

Facciamo il possibile per sviluppare prodotti sicuri per i bambini. I nostri prodotti sono classificati come giochi e per questo rispettiamo le più severe norme di sicurezza per i consumatori. Prima di lanciare i nostri prodotti sul mercato, questi vengono sottoposti a test indipendenti per ottenerne la certificazione. Inoltre, testiamo continuamente i nostri cicli produttivi e li sottoponiamo periodicamente ad altri test indipendenti per un'ulteriore verifica. Solo i prodotti che sono all'altezza dei più alti standard di EXIT Toys sono contrassegnati con e riconosciuti dal marchio EXIT.

"La ringraziamo per il Suo acquisto e la Sua fiducia in questo prodotto. Siamo certi che i Suoi bambini si divertiranno tanto quanto ci siamo divertiti noi durante lo sviluppo di questo prodotto. Abbiamo una mentalità aperta e per questo apprezziamo tutti i commenti e le idee che ci aiuteranno a migliorare i nostri prodotti o a svilupparne di nuovi. La invitiamo a inviarci le Sue idee a info@exit-toys.com"

Visiti www.exittoys.com e scopra altri fantastici nuovi prodotti. Il team di EXIT Toys

2.0 LINEE GUIDA PER UN UTILIZZO SICURO

Utilizzare il prodotto conformemente alle istruzioni presenti in questo manuale eliminerà pressoché qualsiasi rischio. Tuttavia, occorre considerare che i bambini hanno un naturale desiderio di giocare e questo può portare a delle situazioni pericolose e impreviste per cui il produttore non può essere ritenuto responsabile. Insegnare ai bambini come usare il prodotto e segnalare loro i possibili pericoli.

Prima di assemblare e di usare il prodotto, leggere e rispettare queste principali avvertenze:



ATTENZIONE

Per evitare lesioni gravi:



- Leggere e capire il manuale prima dell'uso.
- **ATTENZIONE:** Esclusivamente per uso domestico e all'esterno.
- **ATTENZIONE: RISCHIO DI SOFFOCAMENTO!**
 - Piccole parti. Non adatto ai bambini di età inferiore a 3 anni.
- **ATTENZIONE:** Solo un utilizzatore alla volta, rischio di collisione!
- **ATTENZIONE:** Non effettuare salti mortali o altri salti difficili!
- **ATTENZIONE:** Le tasche e le mani devono essere vuote prima di saltare!
- **ATTENZIONE:** È richiesta la continua supervisione da parte di un adulto.
- **ATTENZIONE:** Non usare il trampolino quando è bagnato.
- **ATTENZIONE:** Il trampolino deve essere assemblato da un adulto conformemente alle istruzioni di assemblaggio e successivamente deve essere controllato prima di usarlo per la prima volta.
- **ATTENZIONE:** Non si deve mangiare mentre si salta.
- **ATTENZIONE:** Saltare sempre al centro del tappeto.
- **ATTENZIONE:** Chiudere sempre l'apertura della rete prima di saltare.
- **ATTENZIONE:** Non usare in caso di vento forte e assicurare il trampolino.
- **ATTENZIONE:** Non uscire dal tappeto con un salto.
- **ATTENZIONE:** Limitare la durata di utilizzo ininterrotto (fare regolarmente delle pause).
- **ATTENZIONE:** Saltare senza scarpe.
- Max. Peso dell'utilizzatore: 13.12.15.00: 130 kg

2.1 Avvertenze per un utilizzo sicuro:

- **PRIMA DI INIZIARE A USARE IL TRAMPOLINO:** Leggere e capire le informazioni fornite in questo manuale. Come per qualsiasi sport e attività fisica esiste il rischio di riportare una lesione. Per garantire il futuro godimento del trampolino e la prevenzione delle lesioni, assicurarsi di rispettare le regole e i consigli di sicurezza appropriati.
- Conservare il manuale per riferimenti futuri; contiene informazioni importanti.
- **CONSULTARE SEMPRE UN MEDICO PRIMA DI SVOLGERE QUALSIASI TIPO DI ATTIVITÀ FISICA.**
- **CONTROLLARE SEMPRE IL TRAMPOLINO PRIMA DELL'USO, PRESTANDO PARTICOLARE ATTENZIONE A TUTTI I BULLONI, ALLA POSIZIONE DEL TAPPETO DI SALTO E DELLE IMBOTTITURE. NON USARE SE MANCA UNA PARTE O SE MOSTRA SEGNI DI USURA.**
- **GARANTIRE SEMPRE UNA SUPERVISIONE OGNI VOLTA CHE QUALSIASI PERSONA USA IL TRAMPOLINO, INDIPENDENTEMENTE DAL SUO LIVELLO DI ABILITÀ.**
- Interrompere immediatamente l'esercizio in caso di malessere o se si sente dolore alle articolazioni o ai muscoli. Le vertigini sono un segno di fatica. È necessario smettere di saltare e sdraiarsi a terra in caso di vertigini.
- Usare il trampolino indossando dei vestiti appropriati, preferibilmente un abbigliamento sportivo e dei calzini.
- Il trampolino è a molle permette all'utilizzatore di saltare ad altezze più elevate rispetto a quelli da terra. Tenere conto di questo e, all'inizio, assicurarsi di riuscire a saltare ad altezze ridotte.
- L'assemblaggio, la cura e la manutenzione appropriati del prodotto, così come i consigli sulla sicurezza, le avvertenze e le tecniche adatte al salto sul trampolino, sono incluse in questo manuale per la propria sicurezza e per una maggiore durata utile del prodotto. Tutti gli utilizzatori e i supervisori devono acquisire familiarità con queste istruzioni. Chiunque scelga di usare il trampolino deve essere consapevole dei limiti riguardanti le proprie abilità.
- Il trampolino deve essere assemblato su erba o su gomma antitrauma approvata BSI. Il trampolino non deve essere installato su cemento, asfalto o su qualsiasi altra superficie dura. Inoltre, non deve essere installato vicino ad altre installazioni non compatibili (es. piscine per bambini, altalene, scivoli, strutture per arrampicarsi)
- Spostamento del trampolino. Lo spostamento del trampolino e della gabbia deve essere realizzato da due persone. Il trampolino e la gabbia devono essere mantenuti in posizione orizzontale ed essere leggermente sollevati. Se necessario, il trampolino e la gabbia possono essere smontati. Per smontare il trampolino, seguire le fasi di assemblaggio in ordine inverso.
- Posizionare il trampolino a livello della superficie e almeno a 2 m di distanza da qualsiasi struttura o ostacolo, come una recinzione, un garage, una casa, rami sporgenti, fili per il bucato o cavi elettrici.
- In caso di parti mancanti o rotte, contattare il rivenditore per ricevere assistenza.
- Qualsiasi modifica realizzata dal cliente sul trampolino originale (es. l'aggiunta di un accessorio) deve essere effettuata conformemente alle istruzioni del produttore.
- Non siamo responsabili per nessuna lesione che si verifica durante l'utilizzo del trampolino.

2.2 Uso del trampolino

ALL'INIZIO è necessario abituarsi al proprio trampolino e capire la quantità di rimbalzo per ogni salto. Il punto più importante in questa fase è la posizione del corpo e la tecnica, fino a riuscire a completare ogni esercizio in maniera semplice e controllata.



- PRIMA DI PROVARE A SALTARE TROPPO IN ALTO è necessario imparare la tecnica di interruzione del salto, che aiuta a prevenire le lesioni in caso di perdita di controllo.
- Quando l'utilizzatore atterra sul tappeto, le ginocchia devono essere piegate in modo da interrompere e assorbire il rimbalzo sul tappeto. La posizione è mostrata nell'immagine a sinistra. Le braccia vanno tenute aperte per aumentare il livello di equilibrio.
- Questa tecnica viene usata quando l'utilizzatore del trampolino desidera smettere di saltare a causa di stanchezza, perdita di controllo, ecc.



SALTI MORTALI: NON ESEGUIRE alcun tipo di salto mortale (in avanti o all'indietro) su questo trampolino. Un errore durante l'esecuzione di un salto mortale può causare la caduta sulla testa o sul collo. Ciò aumenta la possibilità di rompersi la testa o la schiena e quindi incorrere in morte o paralisi.



CORPI ESTRANEI: NON usare il trampolino se sono presenti animali, altre persone o qualsiasi oggetto sotto il trampolino. Ciò può aumentare le possibilità di lesioni. **NON** tenere alcun oggetto estraneo in mano e **NON** mettere alcun oggetto sul trampolino mentre viene usato. **NON** mettere il trampolino sotto oggetti sporgenti, come i rami degli alberi, cavi, ecc. in quanto ciò aumenta le possibilità di lesioni.



SCARSA MANUTENZIONE DEL TRAMPOLINO: Un trampolino in cattive condizioni aumenta le possibilità di lesioni. Ispezionare il trampolino prima di ogni uso per verificare l'assenza di tubi in acciaio piegati, lacerazioni del materasso, molle allentate o rotte, e per controllare la stabilità complessiva del trampolino.



CONDIZIONI METEOROLOGICHE: Attenzione. Non usare in caso di forte vento e assicurare il trampolino. Considerare le condizioni climatiche quando si usa il trampolino. Non usare il trampolino se è bagnato. In caso di forte vento l'utilizzatore può perdere il controllo.



LIMITARE L'ACCESSO: Quando il trampolino non viene usato, riporre sempre la scala di accesso in un posto sicuro, in modo da evitare che dei bambini giochino sul trampolino senza supervisione.

2.3 Consigli per ridurre il rischio di incidenti



Per ridurre il rischio di incidenti l'UTILIZZATORE DEL TRAMPOLINO deve:

- Mantenere sempre il controllo dei salti e della posizione del corpo.
- Non provare a eseguire degli esercizi al di fuori del proprio livello di competenza.
- Leggere e capire come saltare partendo dal e atterrando al centro del trampolino
- Controllare sempre il proprio salto partendo dal e atterrando al centro del trampolino.
- Attenzione. Saltare sempre al centro del tappeto. Saltare sempre verticalmente ed evitare di rimbalzare verso le molle in qualsiasi direzione.
- Consultare sempre un istruttore di trampolino professionista e certificato prima di provare qualsiasi esercizio al di fuori delle tecniche di base.

Per ridurre il rischio di incidenti il SUPERVISORE deve:

- Capire e far rispettare tutte le regole di sicurezza e le linee guida.
- Consigliare l'utilizzatore del trampolino e informarlo sulle azioni corrette e sbagliate per garantire la sua sicurezza.
- Conoscere le avvertenze di sicurezza e consigliare l'utilizzatore del trampolino a tal proposito.
- Attenzione. Non uscire dal trampolino con un salto.

IMPORTANTE: se il trampolino non può essere supervisionato, deve esserci un metodo per renderlo sicuro ed evitare che qualcuno utilizzi il prodotto fino a quando non viene supervisionato.

2.4 Istruzioni di sicurezza del trampolino

PRECAUZIONI DURANTE L'USO DEL TRAMPOLINO



- Non usare il trampolino sotto l'effetto di alcol o sostanze narcotiche
- Salire e scendere dal trampolino in maniera controllata e prudente. Non entrare o uscire mai dal trampolino con un salto e non usarlo mai come mezzo per saltare su o dentro un altro oggetto.
- Imparare sempre il salto di base e saper effettuare ogni tipo di salto prima di provare quelli più difficili. Rivedere la sezione degli esercizi di base per imparare come eseguire i salti di base.
- Per smettere di saltare, flettere le ginocchia quando si atterra sui piedi.
- Mantenere sempre il controllo quando si salta sul trampolino. Un salto controllato avviene quando si atterra sullo stesso posto da cui si è partiti. Se in qualsiasi momento si sente di aver perso il controllo, smettere subito di saltare.
- Non saltare o rimbalzare per un lungo periodo di tempo o troppo in alto. Tenere lo sguardo sul tappeto per mantenere il controllo. In caso contrario, è possibile perdere l'equilibrio.
- Non può mai esserci più di 1 persona sul trampolino. Rischio di collisione.

PRECAUZIONI DURANTE LA SUPERVISIONE DEL TRAMPOLINO

IMPORTANTE: Acquisire familiarità con i salti di base e le regole di sicurezza. Per prevenire e ridurre il rischio di lesioni, assicurarsi che tutte le regole di sicurezza siano rispettate e che i nuovi utilizzatori imparino i salti di base prima di provare delle tecniche più avanzate.

- **TUTTI GLI UTILIZZATORI** devono essere supervisionati, indipendentemente dal loro livello di abilità o età.
- Non usare mai il trampolino quando è bagnato, danneggiato, sporco o usurato. Il trampolino deve essere ispezionato prima dell'uso.
- Tenere sempre lontano dal trampolino tutti gli oggetti che possano interferire durante l'uso. Prestare attenzione a cosa si trova sopra, sotto e intorno al trampolino.
- Per prevenire l'uso non supervisionato e non autorizzato, il trampolino deve sempre essere reso sicuro.

2.5 Classificazione e identificazione degli incidenti



SALIRE E SCENDERE:

Prestare molta attenzione quando si sale e si scende dal trampolino.

NON salire sul trampolino afferrando l'imbottitura del telaio, calpestando le molle o saltando sul tappeto del trampolino da un oggetto (es. una pedana, un tetto, una scala). Ciò è considerato molto pericoloso. NON scendere saltando dal trampolino e atterrando a terra. Se dei bambini piccoli stanno giocando sul trampolino, questi possono aver bisogno di aiuto per salire e scendere.



USO DI ALCOL O DROGHE:

NON consumare alcol o droghe (inclusi i medicinali che possono compromettere la coordinazione degli utilizzatori) mentre si usa il trampolino. Ciò è considerato estremamente pericoloso perché queste sostanze estranee compromettono il giudizio, il tempo di reazione e la coordinazione motoria complessiva.



PIÙ UTILIZZATORI:

Solo un utilizzatore alla volta: rischio di collisione!



URTO DEL TELAIO DELLE MOLLE:

Quando si gioca con il trampolino, RESTARE al centro del tappeto. Questo riduce il rischio di lesioni dovuto all'atterraggio sul telaio delle molle. Coprire sempre il telaio del trampolino con l'imbottitura del telaio. NON saltare o calpestare l'imbottitura del telaio direttamente, in quanto non è destinata a sostenere il peso di una persona.



PERDITA DI CONTROLLO:

NON provare esercizi difficili fino a quando non sono state apprese le basi. Non rispettare queste linee guida aumenta il rischio di lesioni.

ATTENZIONE: fare una pausa ogni 10 minuti.

3.0 TECNICHE DEL TRAMPOLINO

ESERCIZI DI BASE

ESERCIZIO DI BASE 1: Il salto di base



- Iniziare dalla posizione in piedi, con i piedi alla larghezza delle spalle, testa in alto e occhi sul tappeto del trampolino.
- Far oscillare le braccia su e giù sopra la testa con un movimento circolare.
- Portare le gambe e i piedi insieme a mezz'aria e puntare le dita dei piedi.
- Atterrare sul tappeto con i piedi alla larghezza delle spalle (stessa posizione dell'inizio).
- Provare a passare al prossimo esercizio dopo aver imparato a eseguire questo con facilità e competenza.

ESERCIZIO DI BASE 2: La caduta sulle ginocchia

- Iniziare con un salto di base (come descritto nell'ESERCIZIO DI BASE 1).
- Atterrare sulle ginocchia aperte alla larghezza delle spalle, tenendo la schiena dritta e con una posizione del corpo salda, usando le braccia aperte di lato o di fronte per mantenere l'equilibrio.
- Tornare alla posizione del salto di base usando lo slancio del salto e oscillando le braccia sopra la testa.
- Dopo aver imparato a saltare a questa altezza, provare a saltare un po' più in alto, ma ricordarsi sempre di mantenere il controllo dell'altezza.



ESERCIZIO DI BASE 3: La caduta da seduto



- Iniziare con il salto basso di base (ESERCIZIO DI BASE 1) in posizione normale.
- Atterrare con le gambe dritte di fronte a sé, con le mani sui fianchi e la schiena dritta e con una posizione del corpo salda.
- Usare lo slancio del rimbalzo e spingere con le mani per tornare in piedi.
- Dopo aver imparato a saltare a questa altezza, provare a saltare un po' più in alto, ma ricordarsi sempre di mantenere il controllo dell'altezza.

IMPORTANTE: Consultare un istruttore formato di trampolino prima di provare degli esercizi più avanzati per assicurarsi che venga mantenuto il massimo livello di sicurezza possibile.

ESERCIZI AVANZATI

ESERCIZIO AVANZATO 1: Il salto di base



- Iniziare con il salto basso di base (ESERCIZIO DI BASE 1) in posizione normale.
- Atterrare sulle mani e sulle ginocchia allo stesso tempo, assicurarsi che la schiena sia orizzontale rispetto al tappeto di salto e che le mani e le gambe siano alla larghezza delle spalle.
- Usare lo slancio del rimbalzo e spingere con le mani per tornare in piedi.
- Dopo aver imparato a saltare a questa altezza, provare a saltare un po' più in alto, ma ricordarsi sempre di mantenere il controllo dell'altezza.
- Provare a passare al prossimo esercizio dopo aver imparato a eseguire questo con facilità e competenza.

ESERCIZIO AVANZATO 2: Caduta con mani e ginocchia in avanti

- Atterrare sulle mani e sulle ginocchia allo stesso tempo, assicurarsi che la schiena sia orizzontale rispetto al tappeto di salto, e che le mani e le gambe siano alla larghezza delle spalle.
- Mantenere una posizione del corpo salda con la schiena orizzontale al tappeto, allungare le gambe dietro e piegare le braccia di fronte al viso a mezz'aria, pronti ad atterrare sul tappeto in posizione sdraiata.
- Assicurarsi che all'atterraggio tutto il corpo tocchi il tappeto nello stesso momento.
- Spingere con le mani per tornare in piedi.
- Dopo aver imparato a saltare a questa altezza, provare a saltare un po' più in alto, ma ricordarsi sempre di mantenere il controllo dell'altezza. Provare a passare al prossimo esercizio dopo aver imparato a eseguire questo con facilità e competenza.



ESERCIZIO AVANZATO 3: La caduta frontale



- Iniziare con il salto basso di base (ESERCIZIO DI BASE 1) in posizione normale.
- Mantenere una posizione del corpo salda con la schiena orizzontale al tappeto, allungare le gambe dietro e piegare le braccia di fronte al viso a mezz'aria, pronti ad atterrare sul tappeto in posizione sdraiata.
- Assicurarsi che all'atterraggio tutto il corpo tocchi il tappeto nello stesso momento.
- Spingere con le mani per tornare in piedi.
- Dopo aver imparato a saltare a questa altezza, provare a saltare un po' più in alto, ma ricordarsi sempre di mantenere il controllo dell'altezza.

IMPORTANTE: Se si desidera progredire ulteriormente e imparare altre tecniche avanzate per il trampolino, consultare un istruttore qualificato e certificato.

4.0 INFORMAZIONI GENERALI

- I dadi e le viti autobloccanti sono adatti solo per un montaggio e devono essere sostituiti dopo la rottura del trampolino e/o della rete di sicurezza.
- La rete di sicurezza ha una durata limitata. Sostituirla dopo 2 anni di utilizzo.
- Si raccomanda di posizionare il trampolino su una superficie piana e orizzontale, ad almeno 2 m di distanza da altre soprastrutture o barriere, es. recinzione, garage, casa, rami di alberi, fili del bucato o cavi elettrici.
- Il trampolino non deve essere posizionato su superfici dure come l'asfalto, il cemento ecc.
- Sostituire le parti difettose conformemente alle raccomandazioni del produttore.
- Le modifiche al trampolino (es. aggiunta di un accessorio) devono essere realizzate conformemente alle istruzioni del produttore.

5.0 ASSEMBLAGGIO DEL TRAMPOLINO

COSTRUZIONE PER FASI

L'assemblaggio deve essere realizzato solo da persone adulte.

Per assemblare questo trampolino è necessario l'utensile per caricare le molle fornito con questo prodotto. Durante i periodi di non utilizzo, il trampolino può essere facilmente smontato e riposto. Leggere le istruzioni di assemblaggio prima di iniziare ad assemblare il prodotto.

Fare riferimento alla tabella per le descrizioni e i numeri delle parti. Le istruzioni di assemblaggio usano le descrizioni e i numeri come riferimento.

Assicurarsi di avere tutte le parti elencate. Se mancano delle parti, contattare il rivenditore.

Usare dei guanti per proteggere le mani nei punti in cui vi è il rischio di schiacciamento durante l'assemblaggio. Quando si è pronti a iniziare, assicurarsi di avere abbastanza spazio e un'area pulita e asciutta per l'assemblaggio.

È possibile trovare le fasi di assemblaggio nel capitolo 5.0 (pagina 124-134)

6.0 CURA E MANUTENZIONE

Il trampolino è stato progettato e prodotto con materiali di qualità e in maniera professionale. Se vengono fornite delle cure e una manutenzione appropriate, il trampolino garantirà a tutti gli utilizzatori anni di esercizio e divertimento, così come un rischio ridotto di lesioni. Rispettare le linee guida che seguono:

Il trampolino è progettato per resistere a una certa quantità di peso e di uso. Assicurarsi che il trampolino venga usato da una sola persona alla volta. Gli utilizzatori devono indossare calzini, scarpe da ginnastica o essere a piedi nudi quando saltano sul trampolino. **NON** indossare scarpe da passeggio o da tennis quando si usa il trampolino. Per evitare che il tappeto del trampolino si tagli o si danneggi, non permettere ad animali di andare sul tappeto. Inoltre, gli utilizzatori del trampolino devono rimuovere tutti gli oggetti affilati prima di usarlo. Qualsiasi tipo di oggetto affilato o appuntito deve essere sempre tenuto fuori dal tappeto del trampolino.

Istruzioni di manutenzione

Assicurarsi di effettuare dei controlli sulle parti principali (telaio, sistema di sospensione, tappeto, imbottitura e gabbia) all'inizio di ogni stagione e anche a intervalli regolari ogni 2 settimane. Se questi controlli non vengono effettuati, il trampolino può diventare pericoloso!

- Assicurarsi che le chiusure a strappo siano correttamente chiuse durante l'uso del trampolino!
- È necessario determinare che tutti i dadi e i bulloni siano serrati e, nel caso, serrarli.
- È necessario verificare che tutti i raccordi a molla (perni di bloccaggio) non siano danneggiati e non si muovano durante l'uso.
- Tutte le coperture delle viti e gli spigoli appuntiti devono essere controllati e sostituiti se necessario;
- Conservare il manuale di manutenzione

Ispezionare sempre il trampolino prima di ogni uso per verificare l'assenza di parti usurate, danneggiati o mancanti. Possono presentarsi numerose condizioni che possono aumentare il rischio di lesioni. Prestare attenzione a:

- Perforazioni, fori o lacerazioni sul tappeto del trampolino
- Tappeto del trampolino allentato
- Cuciture allentate o qualsiasi tipo di deterioramento del tappeto
- Parti del telaio piegate e rotte, come le gambe
- Molle rotte, mancanti o danneggiate
- Imbottitura del telaio fissata in maniera non sicura, mancante o danneggiata
- Sporgenze di qualsiasi tipo (specialmente quelle appuntite) sul telaio, sulle molle o sul tappeto

SE SI RISPONDE A UNA QUALSIASI DELLE CONDIZIONI DI CUI SOPRA, O QUALUNQUE ALTRA COSA CHE SI SOSPETTA POSSA CAUSARE DANNI AGLI UTILIZZATORI, IL TRAMPOLINO DEVE ESSERE SMONTATO O BISOGNA GARANTIRE CHE NON VENGA USATO FINO A QUANDO QUESTE CONDIZIONI NON SIANO STATE RISOLTE

VENTO

In caso di vento forte, il trampolino può essere spazzato via. In caso di previsioni di vento forte, il trampolino deve essere spostato in un'area protetta o smontato. Un'altra opzione consiste nel fissare al terreno la parte esterna (telaio superiore) del trampolino usando funi e paletti. Per garantire la sicurezza devono essere usati almeno (3) punti di ancoraggio.

SPOSTAMENTO DEL TRAMPOLINO

Se necessario, il trampolino deve essere spostato da due persone. Tutti i punti di collegamento devono essere rivestiti con nastro resistente agli agenti atmosferici, come il nastro adesivo. Questo terrà il telaio intatto durante lo spostamento ed eviterà ai punti di collegamento di spostarsi e separarsi. Durante lo spostamento, sollevare il trampolino leggermente da terra e tenerlo orizzontale rispetto al terreno. Per qualsiasi altro spostamento è necessario smontare il trampolino.

INVERNO

In certi paesi durante il periodo invernale la neve e le temperature rigide possono danneggiare il trampolino. Si raccomanda di rimuovere la neve e di riporre il tappeto e la gabbia all'interno.

7.0 GARANZIA

1. Dopo la data della fattura di acquisto, il proprietario del trampolino PeakPro EXIT ha:
 - 10 anni di garanzia contro la rottura del telaio
 - 5 anno di garanzia sulle molle
 - 2 anno di garanzia sull'imbottitura protettiva e sul tappeto di salto.
 - 2 anno di garanzia contro la lacerazione della rete
2. La garanzia si applica solo ai difetti di materiale e di costruzione riguardanti questo prodotto e i suoi componenti.
3. La garanzia decade se:
 - Il prodotto viene usato in maniera scorretta e/o non attenta e non conforme ai suoi scopi.
 - Il prodotto non è assemblato e mantenuto conformemente al manuale di istruzioni.
 - Le riparazioni tecniche di questo prodotto non vengono eseguite da professionisti.
 - Le parti che vengono montate in un secondo momento non sono conformi alle specifiche tecniche del prodotto o sono montate in maniera scorretta.
 - I difetti sono il risultato di influenze climatiche come la corrosione, i raggi UV o la normale usura.
 - Il prodotto viene noleggiato o messo a disposizione di altre persone varie e non specificate in qualsiasi altra maniera.
4. EXIT Toys riparerà o sostituirà a sua discrezione i difetti di materiale e di costruzione accertati da EXIT Toys durante il periodo di garanzia.
5. Il proprietario del trampolino EXIT Toys può beneficiare della garanzia solo se presenta il prodotto da ispezionare al rivenditore EXIT Toys. Il prodotto dev-essere consegnato al rivenditore EXIT Toys accompagnato dalla fattura di acquisto originale.
6. In caso venissero accertati i difetti di materiale e di costruzione da parte di EXIT Toys, il prodotto o i componenti verranno riparati o sostituiti, a discrezione di EXIT, a titolo gratuito durante il periodo di garanzia indicato all'articolo 1.
7. Se il reclamo della garanzia non è giustificabile, tutti i costi saranno a carico del proprietario.
8. La garanzia non può essere ceduta a terzi.
9. Il trampolino è progettato per uso personale. Non è permesso noleggiarlo o posizionarlo in aree pubbliche come scuole o asili. La garanzia e qualsiasi altra responsabilità decadono se il trampolino viene noleggiato o usato in aree pubbliche.

1.0 Johdanto

Onnittelut EXIT PeakPro -trampoliinin valinnan johdosta!

Pidä hauskaa, ole aktiivinen ja leiki ulkona...

Nämä asiat saavat meidät jatkamaan kekseliäiden ja laadukkaiden lelujen kehittämistä.

Teemme kaiken mahdollisen kehittääksemme turvallisia tuotteita lapsille. Koska tuottemme luokitellaan leluiksi, noudatamme tiukimpia mahdollisia kuluttajan turvallisuutta koskevia säädöksiä. Ennen kuin lanseeraamme tuotteemme, sertifioimme ne riippumattomissa testeissä. Testaamme tuotantoketujamme jatkuvasti ja teetämme puolueettomia testejä säännöllisesti lisävarmuuden saavuttamiseksi. Vain korkeimman EXIT Toys -tason saavuttavat tuotteet saavat tunnustukseksi EXIT-merkin.

”Tahdomme kiittää sinua asiakkuudesta ja luottamuksesta tätä tuotetta kohtaan. Olemme varmoja, että lapsillasi tulee olemaan yhtä hauskaa kuin meillä tuotekehityksen aikana. Koska olemme avomielisiä, arvostamme kaikkia kommentteja ja ajatuksia, joiden avulla voimme parantaa tuotteitamme ja kehittää uusia. Olet tervetullut lähettämään ajatuksesi osoitteeseen info@exit-toys.com”

Vieraile osoitteessa www.exittoys.com ja tutustu uusiin upeisiin tuotteisiimme. EXIT Toysin väki

2.0 TURVALLISEN KÄYTÖN OHJEET

Käyttämällä tuotetta tässä ohjekirjassa määritellyllä tavalla vältät käytännössä kaikki riskit. Pidä kuitenkin mielessä, että lapsilla on luontainen taipumus leikkiä. Tämä voi johtaa ennalta-arvaamattomiin ja vaarallisiin tilanteisiin, joista valmistaja ei voi olla vastuussa. Opeta lapsillesi tuotteen käyttö ja korosta mahdollisia vaaroja.

Lue ja huomioi nämä tärkeimmät varoitukset ennen tuotteen kokoamista ja käyttöä:



VAROITUS

Vakavien vammojen välttämiseksi:



- Lue ohjekirja huolellisesti läpi ennen käyttöä.
- VAROITUS: Käytettäväksi vain kotona ja ulko-olosuhteissa.
- VAROITUS: TUHKETUMISVAARA! - Pieniä osia. Ei alle 3-vuotiaille lapsille.
- VAROITUS: Vain yksi käyttäjä kerrallaan, törmäysvaara!
- VAROITUS: Älä tee voltteja tai muita vaikeita temppuja!
- VAROITUS: Tyhjennä taskut ja laske esineet käsistä ennen hyppyjä!
- VAROITUS: Aikuisen jatkuvaa valvontaa edellytetään.
- VAROITUS: Älä käytä trampoliinia sen ollessa märkä.
- VAROITUS Aikuisen tulee koota trampoliini kokoamisohjeita noudattaen ja tarkastaa se ennen ensimmäistä käyttökertaa.
- VAROITUS: Älä syö hyppiessäsi.
- VAROITUS: Hypi aina maton keskellä.
- VAROITUS: Sulje verkko aina ennen hyppimistä.
- VAROITUS: Älä käytä voimakkaan tuulen olosuhteissa, ja varmista trampoliinin kiinnitys.
- VAROITUS: Älä poistu trampoliinista hyppäämällä.
- VAROITUS: Rajoita jatkuvaa käyttöä (pidä taukoja säännöllisesti)
- VAROITUS: Hypi ilman kenkiä
- Suurin sallittu käyttäjän paino: 13.12.15.00: 130 kg

2.1 Turvallisen käytön varoitukset:

- ENNEN KUIN ALOITAT TRAMPOLIINISI KÄYTÖN: Lue ja ymmärrä tässä ohjekirjassa esitetyt tiedot. Kaikkeen fyysiseen urheiluun ja harrastamiseen liittyy aina osallistuien loukkaantumisen riski. Jotta varmistat nautittavan käytön jatkumisen ja vältät loukkaantumisen, noudata soveltuvia turvallisuusohjeita ja -neuvoja.
- Säilytä tämä ohjekirja myöhempää käyttöä varten; sisältää tärkeää tietoa.
- KYSY AINA NEUVOA LÄÄKÄRILTÄ ENNEN LIIKUNNAN ALOITTAMISTA.
- TARKISTA TRAMPOLIINISI AINA ENNEN KÄYTTÖÄ. KIINNITÄ ERITYISTÄ HUOMIOTA PULTEIHIIN, HYPPYMATTOON JA PEHMUSTEIDEN ASENTOIHIIN. ÄLÄ KÄYTÄ, MIKÄLI OSIA PUUTTUU TAI NE NÄYTTÄVÄT KULUNEILTA.
- VARMISTA AINA, ETTÄ TRAMPOLIINIA KÄYTETÄÄN VALVOTTUNA, OLIPA KÄYTTÄJÄN TAITOTASO MIKÄ TAHANSA.
- Lopeta harjoittelu välittömästi, mikäli tunnet olosi huonovointiseksi tai nivelesi ja lihaksesi kipeytyvät. Huimaus on merkki väsymyksestä. Jos sinua huimaa, lopeta hyppiminen ja asetu alas lepäämään.
- Kun käytät trampoliinia, pukeudu soveltuvasti, mieluiten urheiluvaatteisiin ja sukkiin.
- Huomioi, että trampoliini on jousitettu. Tämän johdosta käyttäjä voi hypätä korkeammalle kuin maanpinnan tasalta. Pidä tämä mielessä ja totuttele aluksi hyppäämään matalampiin korkeuksiin.
- Tämä ohjekirja sisältää oikeaoppiset asennus-, huolto- ja kunnossapitoohjeet tuotteelle, turvallisuusneuvot, varoitukset ja trampoliinilla hyppimisen oikeaoppiset tekniikat. Nämä on laadittu turvallisuuttasi ja tuotteen pidempää elinkaarta ajatellen. Kaikkien käyttäjien ja valvojien tulisi tutustua näihin ohjeisiin. Trampoliinia käyttävien henkilöiden tulee olla tietoisia omista rajoituksistaan temppujen tekemisen suhteen tällä trampoliinilla.
- Trampoliini tulee koota nurmikolla tai hyväksytyllä turvamatolla. Sitä ei tule asentaa betonille, asfaltille tai muille kovalle pinnoille, eikä myöskään muiden häiritsevien rakenteiden (esim. kahlualtaiden, keinujen, liukumäkien, kiipeilytelineiden) läheisyyteen.
- Trampoliinin siirtäminen Mikäli trampoliinia ja kehikkoa on siirrettävä, tulee kahden henkilön tehdä tämä. Kokonaisuus on pidettävä vaakatasossa ja sitä on nostettava hieman. Miäli on tarpeen, trampoliini ja kehikko tulee purkaa siirtämistä varten. Purkaaksesi trampoliinin, seuraa kokoamisohjeita päinvastaisessa järjestyksessä.
- Sijoita trampoliini tasaiselle pinnalle vähintään 2 metrin päähän rakennelmista tai esteistä, kuten aidasta, autotallista, talosta, yllä olevista oksista, pyykkinaruista tai sähköjohdoista.
- Rikkoutuneiden osien tapauksessa ota yhteys ostopaikkaan saadaksesi apua.
- Asiakkaan alkuperäiseen trampoliiniin tekemät muutokset (esim. lisävarusteen lisääminen) tulee tehdä valmistajan ohjeiden mukaisesti.
- Emme ole vastuussa loukkaantumisista, joita voi tapahtua trampoliinia käytettäessä.

2.2 Trampoliinin käyttö

AIVAN ALUKSI sinun tulee totutella trampoliiniin ja ymmärtää, kuinka paljon ponnahdusvoimaa kussakin hypyssä käytetään. Tässä vaiheessa tulee keskittyä vartalon asentoon ja tekniikkaan, kunnes jokainen liike kyetään tekemään sujuvasti ja hallitusti.



- ENNEN KUIN YRITÄT HYPÄTÄ LIIAN KORKEALLE, tulee opetella pysähtymistekniikka. Näin estetään loukkaantumisen, mikäli alkaa tuntua ettei hyppiminen ole enää hallittua.
- Kun käyttäjä laskeutuu alustalle, polvia tulee taivuttaa. Näin ne pysähdyttävät ja vaimentavat hypyn mattoon. Asento näkyy kuvassa vasemmalle. Kädet ojennetaan paremman tasapainon saavuttamiseksi.
- Tätä liikettä käytetään trampoliinin käyttäjän halutessa lopettaa pomppiminen trampoliinilla esimerkiksi väsymisen tai hallinnan menettämisen takia.



VOLTIT (FLIPIT) ÄLÄ SUORITA minkäänlaisia voltteja (eteen- tai taaksepäin) tällä trampoliinilla. Mikäli teet virheen volttaa suorittaessasi, saatat pudota päällesi tai niskallesi. Tämä johtaa niskasi tai selkäsi murtumisen todennäköisyyden kasvuun, josta voi seurata kuolema tai halvaantumisen.



VIERAAT ESINEET: ÄLÄ käytä trampoliinia, mikäli sen alla on lemmikkieläimiä, muita ihmisiä tai esineitä. Tämä kasvattaa loukkaantumisriskiä. ÄLÄ pidä käsissäsi vieraita esineitä ÄLÄKÄ aseta trampoliinille minkäänlaisia esineitä sen ollessa käytössä. ÄLÄ sijoita trampoliinia paikkaan, jossa sen yllä roikkuu esineitä, esimerkiksi puunoksia, johtoja, tms. Nämä lisäävät loukkaantumisriskiä.



TRAMPOLIININ PUUTTEELINEN HUOLTO: Huonokuntoinen trampoliini lisää loukkaantumisriskiä. Tarkista trampoliini ennen jokaista käyttökertaa taipuneiden metalliputkien, repeytyneen maton, löysien tai rikkoutuneiden josten ja trampoliinin yleisen vakauden varalta.

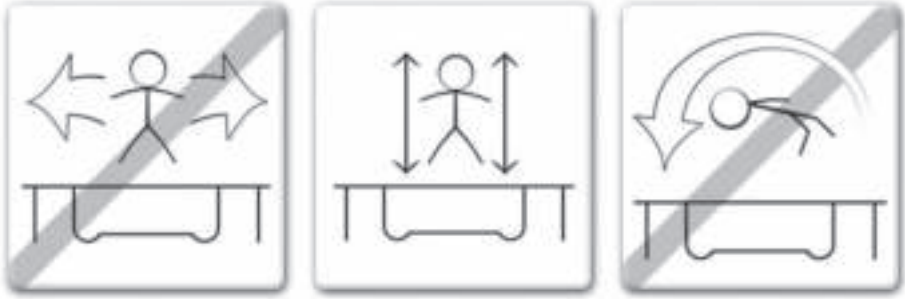


SÄÄOLOSUHTEET: Varoitus. Älä käytä voimakkaan tuulen olosuhteissa, ja varmista trampoliinin kiinnitys. Huomioi sääolosuhteet trampoliinia käyttäessäsi. Älä käytä trampoliinia sen ollessa märkä. Mikäli sää on liian tuulinen, käyttäjä voi menettää hallinnan.



KÄYTÖN RAJOITTAMINEN: Kun trampoliini ei ole käytössä, säilytä sille kiipeämiseen tarkoitettuja tikkaita turvallisessa paikassa, jotteivät lapset pääse leikkimään trampoliinille ilman valvontaa.

2.3 Neuvoja onnettomuusrisikin pienentämiseksi



Onnettomuusrisikin pienentämiseksi "TRAMPOLIININ KÄYTTÄJÄN" tulee:

- Kyetä aina hallitsemaan hyppynsä ja vartalonsa asento.
- Olla yrittämättä sellaisten liikkeiden suorittamista, joihin oma osaamistaso ei riitä.
- Lukea ja ymmärtää hyppy aloittamalla hyppy trampoliinin keskeltä ja laskeutumalla keskelle.
- Säilyttää hypyn hallinta aloittamalla se trampoliinin keskeltä ja laskeutumalla keskelle.
- Varoitus. Hypi aina maton keskellä. Hypi aina pystysuoraan, vältä poukkoilua kohti jousia.
- Pyydä aina ammattimaisesti sertifioidun trampoliiniohjaajan neuvoa ennen kuin yrität mitään perustekniikoita haastavampaa.

Onnettomuusrisikin pienentämiseksi "VALVOJAN" tulee:

- Ymmärtää kaikki turvallisuussäännöt ja -ohjeet ja valvoa niiden noudattamista kaikilta osin.
- Opastaa trampoliinin käyttäjää ja tarjoa tietoa siitä, mitä tämä tekee väärin ja mitä oikein. Näin taataan trampoliinin käyttäjän turvallisuus.
- Ole tietoinen turvallisuutta koskevista varoituksista ja kerro niistä trampoliinin käyttäjälle.
- Varoitus. Älä poistu trampoliinista hyppäämällä.

TÄRKEÄÄ: Mikäli trampoliinia ei voida valvoa, tulee olla tapa sen suojaamiseksi ja käytön estämiseksi kunnes valvonta on taas mahdollista.

2.4 Trampoliinin turvallisuusohjeet

TRAMPOLIININ KÄYTTÖÄ KOSKEVAT VAROTOIMENPITEET



- Älä käytä trampoliinia, mikäli olet käyttänyt alkoholia tai huumeaineita.
- Kiipeä trampoliinille ja pois siltä hallitusti ja varovasti. Älä koskaan hyppää trampoliinille tai pois siltä, äläkä ikinä käytä trampoliinia toiseen paikkaan hyppäämisen välineenä.
- Opettele aina perushyppy ja jokainen hyppytyyppi läpikotaisin ennen kuin yrität vaikeampia hyppyjä. Tutustu perusliikkeiden osioon oppiaksesi perusteet.
- Lopettaaksesi hyppimisen, taivuta polviasia ja laskeudu jaloillesi.
- Säilytä hallinta aina trampoliinilla hyppiessäsi. Hallittu hyppy on sellainen, jossa laskeudut samaan kohtaan josta hyppy lähti ilmaan. Mikäli tunnet menettäväsi hallinnan, lopeta hyppiminen välittömästi.
- Älä hypi tai pompi pitkää ajanjaksoa kerrallaan liian monen hypyn ajan. Pidä katse kohdistettuna mattoon säilyttääksesi hallinta. Mikäli et tee tätä, saatat menettää tasapainon.
- Trampoliinilla ei koskaan saa olla kerralla enempää kuin yksi henkilö. Törmäysvaara.

TRAMPOLIININ KÄYTÖN VALVONTAA KOSKEVAT VAROTOIMENPITEET

TÄRKEÄÄ: Tutustu huolella perushyppyihin ja turvallisuussääntöihin. Estääksesi loukkaantumisia ja vähentääksesi loukkaantumisriskiä, varmista, että kaikkia turvallisuussääntöjä noudatetaan ja että uudet käyttäjät opettelevat perushypyt ennen edistyneempien tekniikoiden kokeilemistä.

- KAIKKIA käyttäjiä tulee valvoa, olipa näiden ikä tai taitotaso mikä hyvänsä.
- Älä ikinä käytä trampoliinia sen ollessa märkä, vaurioitunut, likainen tai kulunut. Trampoliini tulee tarkastaa ennen käyttöä.
- Pidä kaikki käyttöä mahdollisesti häiritsevät esineet aina loitolla trampoliinista. Huomioi trampoliinin yläpuolella, alla tai ympärillä olevat kohteet.
- Valvomattoman ja luvottoman käytön estämiseksi trampoliini tulee pitää suljettuna silloin kuin se ei ole käytössä.

2.5 Onnettomuuksien luokittelu ja tunnistaminen



TRAMPOLIINILLE NOUSEMINEN JA POISTUMINEN:

Ole erittäin varovainen noustessasi trampoliinille ja poistuessasi siltä.

ÄLÄ nouse trampoliinille ottamalla kiinni runkosuojasta, astumalla jousille tai hyppäämällä sen matolle jonkin (esim. terassin, katon tai tikkaiden) päältä. ÄLÄ poistu trampoliinilta hyppäämällä pois siltä ja laskeutuen maahan. Mikäli pienet lapset leikkivät trampoliinilla, he saattavat tarvita apua sille nousemisessa ja poistumisessa.



ALKOHOLIN TAI HUUMAUSAINEIDEN KÄYTTÖ:

Älä käytä alkoholia tai minkäänlaisia huumausaineita tätä trampoliinia käytettäessä. Tämä kattaa lääkkeitä, jotka saattavat vaikuttaa liikehallintakykyyn. Tätä voidaan pitää erittäin vaarallisena, sillä nämä vieraat aineet heikentävät arviointikykyäsi, reaktioaikaasi ja yleistä liikehallintakykyä.



USEAMPI KÄYTTÄJÄ

Vain yksi käyttäjä kerrallaan, törmäysvaara!



OSUMINEN JOUSIRUNKOON:

Kun käytät trampoliinia, PYSY trampoliinimaton keskellä. Tämä vähentää riskiä loukkaantua jousirungolle laskeutumisen takia. Suojaa trampoliinin runko aina runkosuojilla. ÄLÄ hyppää tai astu suoraan runkosuojalle, sillä sitä ei ole tehty kantamaan henkilön painoa.



HALLINNAN MENETTÄMINEN:

ÄLÄ yritä vaikeita liikkeitä ennen kuin hallitset perustason liikkeitä. Mikäli et noudata näitä ohjeita, loukkaantumisriski kasvaa.

VAROITUS: Pidä tauko 10 minuutin välein.

3.0 TRAMPOLIINITEKNIIKAT

PERUSLIIKKEET

PERUSLIIKE 1: Perushyppy



- Aloita seisoma-asennosta. Pidä jalat hartianleveydessä asennossa, pää pystyssä ja katse trampoliinin matossa.
- Heiluta käsivarsia ympyrässä eteenpäin, pään yläpuolelle pyörivällä liikkeellä.
- Tuo jalat yhteen ilmassa ja osoita varpailla alaspäin.
- Laskeudu takaisin matolle jalat hartianleveydessä asennossa (sama kuin aloitusasento).
- Kun tämä tuntuu mukavalta ja sujuvalta, kokeile seuraavaan liikkeeseen siirtymistä.

PERUSLIIKE 2: Polvihyppy

- Aloita matalalla perushyppyllä (kuten kuvattiin kohdassa PERUSLIIKE 1).
- Laskeudu polvillesi pitäen polvet hartianleveydessä asennossa, selkä suorana ja käytä käsivarsia sivulla tai edessä tasapainon säilyttämiseksi.
- Pomppaa takaisin perushyppyasentoon hyödyntämällä pompun voimaa ja heilauttamalla käsivarsia pään yläpuolelle.
- Kun hallitset liikkeen tässä korkeudessa, kokeile pomppua hieman korkeammalle. Pidä korkeus aina hallittuna.



PERUSLIIKE 3: Istumahyppy



- Aloita matalalla perushyppyllä (PERUSLIIKE 1) normaalissa asennossa.
- Laskeudu niin että jalat osoittavat suoraan eteen. Pidä kädet lanteilla ja selkeä suorana.
- Hyödynnä pompun voimaa ja työnnä käsillä palatakseksi seisoma-asentoon.
- Kun hallitset liikkeen tässä korkeudessa, kokeile pomppua hieman korkeammalla. Pidä korkeus aina hallittuna.

TÄRKEÄÄ: Pyydä aina ammattimaisen trampoliiniohjaajan neuvoa ennen kuin yrität edistyneempiä liikkeitä. Näin voit olla varma korkeimman mahdollisen turvallisuustason ylläpitämisestä.

EDISTYNEET LIIKKEET

EDISTYNYT LIIKE 1: Perushyppy



- Aloita matalalla perushyppyllä (PERUSLIIKE 1) normaalisessa asennossa.
- Laskeudu käsillesi ja polvillesi samanaikaisesti, varmistaen että selkä on vaakatasossa mattoon nähden, ja että kädet ja jalat ovat hartianleveydessä asennossa.
- Hyödynnä pompun voimaa ja työnnä käsilläpästäksesi takaisin seisoma-asentoon.
- Kun hallitset liikkeen tässä korkeudessa, kokeile pompua hieman korkeammalle. Pidä korkeus aina hallittuna.
- Kun tämä tuntuu mukavalta ja sujuvalta, kokeile seuraavaan liikkeeseen siirtymistä.

EDISTYNYT LIIKE 2: Käsiltä ja polvilta hyppyyn eteenpäin

- Laskeudu käsillesi ja polvillesi samanaikaisesti, varmistaen että selkä on vaakatasossa mattoon nähden, ja että kädet ja jalat ovat hartianleveydessä asennossa.
- Pidä selkä suorana ja vaakatasossa mattoon nähden. Suorista jalat taakse ja vie kädet ilmassa kasvojen eteen valmistautuen laskeutumaan makuuasentoon matolle.
- Varmista, että laskeudut matolle niin, että koko vartalo tulee kosketuksiin maton kanssa samanaikaisesti.
- Työnnä käsillä ja palaa seisoma-asentoon.
- Kun hallitset liikkeen tässä korkeudessa, kokeile pompua hieman korkeammalla. Pidä korkeus aina hallittuna. Kun tämä tuntuu mukavalta ja sujuvalta, kokeile seuraavaan liikkeeseen siirtymistä.



EDISTYNYT LIIKE 2: Käsiltä ja polvilta hyppyyn eteenpäin



- Aloita matalalla perushyppyllä (PERUSLIIKE 1) normaalisessa asennossa.
- Pidä selkä suorana ja vaakatasossa mattoon nähden. Suorista jalat taakse ja vie kädet ilmassa kasvojen eteen valmistautuen laskeutumaan makuuasentoon matolle.
- Varmista, että laskeudut matolle niin, että koko vartalo tulee kosketuksiin maton kanssa samanaikaisesti.
- Työnnä käsillä ja palaa seisoma-asentoon.
- Kun hallitset liikkeen tässä korkeudessa, kokeile pompua hieman korkeammalle. Pidä korkeus aina hallittuna.

TÄRKEÄÄ: Mikäli tahdot jatkaa eteenpäin ja oppia kehittyneempiä trampoliinitekniikoita, pyydä ammattimaisen ja rekisteröidyn opettajan neuvoja.

4.0 YLEISTÄ TIETOA

- Itsekiinnittyvät mutterit ja ruuvit soveltuvat vain kertaluontoiseen asennukseen. Ne tulee korvata uusilla trampoliinin tai turvaverkon rikkouduttua.
- Turvaverkko kestää rajallisen ajan. Korvaa se uudella kahden vuoden käytön jälkeen.
- On suositeltavaa sijoittaa trampoliini tasaiselle ja suoralle pinnalle vähintään kahden metrin etäisyydelle muista rakennelmista tai esteistä, esimerkiksi aidasta, autotallista, talosta, puunoksista, pyykkinaruista tai sähköjohdoista.
- Trampoliinia ei tule sijoittaa kovalle pinnalle, kuten asfaltille, betonille, tms.
- Vaihda vialliset osat toimittajan suositusten mukaisesti.
- Muutokset trampoliiniin (esim. lisävarusteen lisääminen) tulee tehdä toimittajan ohjeiden mukaisesti.

5.0 TRAMPOLIININ KOKOAMINEN

RAKENTAMINEN VAIHE VAIHEELTA

Vain aikuisen koottavaksi.

Trampoliinin kokoamiseksi tarvitset vain erityisen tuotteen mukana seuraavan jousityökalun. Käyttämättömyysjaksojen aikana trampoliini voidaan purkaa ja varastoida helposti. Lue kokoamisohjeet ennen kuin aloitat tuotteen kokoamista.

Taulukosta löydät osien kuvaukset ja numerot. Kokoamisohjeissa viitataan näihin kuvauksiin ja numeroihin.

Varmista, että luetellut osat ovat hallussasi. Mikäli sinulta puuttuu osia, ota yhteys ostopaikkaan.

Käytä hanskoja suojataksesi kätesi nipistävilta kohdilta kokoamisen aikana. Kun olet valmis aloittamaan, varmista, että sinulla on riittävästi tilaa ja puhdas kuiva alue kokoamista varten.

Asennusvaiheet löytyvät kappaleesta 5.0 (sivut124-134)

6.0 HUOLTO JA KUNNOSSAPITO

Tämän trampoliinin suunnittelun ja valmistuksen taustalla ovat laadukkaat materiaalit ja ammattitaito. Mikäli siitä pidetään huolta ja sitä pidetään kunnossa oikein, se tarjoaa treeniä, iloa ja nautintoa vuosikausiksi. Nämä toimenpiteet pitävät myös loukkaantumisriskin alhaisena. Noudata alla lueteltuja ohjeita:

Tämä trampoliini on suunniteltu kestäämään tiettyä painoa ja käyttöä. Varmista, että trampoliinia käyttää kerrallaan vain yksi henkilö. Hyppääjien tulee käyttää joko sukkiä, voimistelutossuja tai olla avojaloin trampoliinia käyttäessään. Huomioi, että katu- tai tenniskenkiä EI tule käyttää trampoliinia käytettäessä. Älä päästä lemmikkieläimiä trampoliinin matolle, jotta siihen ei tulisi viiltoja tai muita vaurioita. Hyppääjien tulee poistaa kaikki terävät esineet yltään ja hallustaan ennen trampoliinin käyttöä. Trampoliinin matolle ei saa koskaan tuoda mitään teräviä esineitä.

Kunnossapito-ohjeet

Tarkista tärkeimmät osat (runko, jousitus, matto, suojat ja kehikko) ja hoida niiden kunnossapito kunkin käyttökauden aluksi sekä säännöllisesti kahden viikon välein. Mikäli näitä tarkastuksia ei tehdä, voi trampoliinista tulla vaarallinen!

- Varmista, että tarranauhakiinnikkeet ovat suljettu oikein trampoliinin käytön aikana!
- Kaikkien mutterien ja pulttien kireys on varmistettava ja ne on tarpeen tulle kiristettävä;
- Kaikkien jousia kantavien liitosten (lukitustappi) vaurioitumattomuus tulee varmistaa eikä niitä saa liikuttaa kesken trampoliinin käytön;
- Kaikki kansiruuvit ja terävät reunat tulee tarkastaa ja korvata uusilla mikäli tarpeen;
- Kunnossapito-ohjekirja tulee säilyttää

Tarkista trampoliini ennen jokaista käyttökertaa kuluneiden, väärinkäytettyjen tai puuttuvien osien varalta. Loukkaantumisriski voi kohota monissa erilaisissa olosuhteissa. Pidä silmällä näitä:

- Trampoliinimaton puhkeamiset, reiät tai repeämät
- Notkolla oleva trampoliinimatto
- Repeytyvät neulokset tai maton kunnan heikentyvät
- Taipuneet tai rikkiinäiset rungon osat, kuten jalat
- Rikkoutuneet, puuttuvat tai vaurioituneet jouset
- Vaurioituneet, puuttuvat tai heikosti kiinnitetyt runkosuojat
- Kaikenlaiset pullistumat (erityisesti terävät) rungossa, jousissa tai matolla

MIKÄLI HAVAITSET JONKIN SEURAAVISTA ONGELMISTA TAI JOTAKIN MUUTA, JONKA USKOT VOIVAN AIHEUTTAVAN VAHINKOA KÄYTTÄJÄLLE, TRAMPOLIINI TULEE PURKAA TAI POISTAA KÄYTÖSTÄ KUNNES ONGELMA(T) ON RATKAISTU.

TUULISET SÄÄLOSUHTEET

Trampoliini voi kaatua kovassa tuulessa. Jos odotettavissa on kovaa tuulta, trampoliini on siirrettävä suojaisaan paikkaan tai purettava. Toinen vaihtoehto on sitoa se ulko-osa (ylärunko) maahan köysien ja vaarujen avulla. Turvallisuuden takaamiseksi trampoliini tulee sitoa vähintään kolmesta (3) kohdasta.

TRAMPOLIININ SIIRTÄMINEN

Mikäli trampoliinia on siirrettävä, tulee kahden henkilön tehdä tämä. Kaikki liitoskohdat on varmistettava säännöllisellä teipillä, kuten ilmastointiteipillä. Näin runko pysyy koossa siirtämisen aikana eivätkä liitoskohdat pääse irtoamaan ja erkanemaan toisistaan. Kun trampoliinia siirretään, nosta sitä hieman irti maasta ja pidä se siirtämisen aikana vaakasuorassa. Muunlaisia siirtoja varten trampoliini tulee purkaa.

TALVI

Joissakin maissa lumikuorma ja erittäin alhainen lämpötila voivat vahingoittaa trampoliinia talvisin. Lumenpoistoa ja maton sekä kehikon siirtämistä sisätiloihin suositellaan.

7.0 TAKUU

- Ostolaskun päivämäärän jälkeen EXIT PeakPro -trampoliinin omistaja nauttii:
 - 10 vuoden takuusta rungon rikkoutumiselle
 - 5 vuoden takuusta jousille
 - 2 vuoden takuusta ympäröivälle suojalle ja hyppymatolle
 - 2 vuoden takuusta verkon repeytymiselle
- Takuu koskee vain tuotteen ja sen komponenttien materiaali- ja rakennevikoja.
- Takuu raukeaa, mikäli:
 - Tuotetta käytetään väärin ja/tai huolettomasti ja sellaisella tavalla, joka ei vastaa sen tarkoitusta.
 - Tuotetta ei koota ja ylläpidetä ohjekirjan mukaisesti.
 - Tuotteen teknisiä korjauksia ei hoideta ammattimaisesti.
 - Jälkikäteen asennetut osat eivät vastaa tuotteen teknisiä määritelmiä tai ne on asennettu virheellisesti.
 - Viat ovat ilmasto-olosuhteiden seurausta, esimerkiksi ruostuminen, UV-säteet tai tavallinen hajoaminen.
 - Tuotetta on vuokrattu tai saatettu erinäisten määrittelemättömien henkilöiden saataville jollakin muulla tavoin.
- EXIT Toys korjaa tai korvaa valitsemallaan tavalla kaikki EXIT Toysin takuuaikana todentamat materiaali- ja rakenneviat.
- EXIT Toys -trampoliinin omistaja on oikeutettu takuuseen vain esittelemällä tuotteen tarkastusta varten EXIT Toysin jälleenmyyjälle. Se tulee luovuttaa EXIT Toysin jälleenmyyjälle yhdessä alkuperäisen ostolaskun kanssa.
- Mikäli EXIT Toys todentaa materiaali- ja rakenneviat, tuote tai sen osa korjataan tai korvataan – yhtiön valinnan mukaan – ilmaiseksi kohdassa 1 ilmoitetun takuuaajan aikana.
- Mikäli takuuvaatimus ei ole oikeutettu, kaikki kustannukset ovat omistajan vastuulla.
- Takuuta ei voida siirtää kolmannelle osapuolelle.
- Trampoliini on suunniteltu henkilökohtaiseen käyttöön. Trampoliinin vuokraaminen tai sen sijoittaminen julkiselle alueelle kuten kouluun tai päiväkotiin ei ole sallittua. Takuu ja muut vastuut raukeavat, mikäli trampoliinia vuokrataan tai käytetään julkisilla alueilla.

1.0 Introduksjon

Gratulerer med valget av en EXIT Peak Pro Trampoline!

Ha det gøy, vær aktiv og lek utendørs.....

Det er dette som driver oss til å utvikle innovative kvalitetsleker for kule barn.

Vi gjør alt som er mulig for å utvikle trygge produkter for barn. Siden våre produkter blir klassifisert som leker, tilfredsstiller vi de strengeste sikkerhetsreglene. Før vi lanserer produktene våre på markedet, sørger vi for å få utført uavhengige tester for sertifisering. Vi tester også kontinuerlig våre produksjonsprosesser og utfører jevnlig uavhengig tester på nytt som ytterligere kontroll. Bare produkter som lever opp til den høyeste EXIT Toys-standarden blir utstyrt med merket vårt og anerkjent som EXIT merkevare.

“Vi ønsker å takke deg for tillitten til dette produktet. Vi er sikre på at barna dine vil ha like mye moro som vi hadde under utviklingsarbeidet. Vi er åpne for og takknemlige for alle kommentarer og ideer som kan hjelpe oss til å forbedre produktene våre eller utvikle nye. Du blir oppfordret til å sende tanker og ideer til oss gjennom info@exit-toys.com”

Vennligst besøk www.exittoys.com og oppdag flere kule, nye produkter. EXIT Toys-teamet

2.0 RETNINGSLINJER FOR TRYGG BRUK

Hvis du bruker produktet ifølge instruksjonen i denne manualen vil du eliminere praktisk talt alle ulykker. Imidlertid bør du huske på at barn har et naturlig instinkt til å leke og at dette kan føre til uforutsette, farlige situasjoner som produsenten ikke kan holdes ansvarlig for. Lær barna dine hvordan de skal bruke produktet og gjør dem oppmerksom på mulige farer.

Før du monterer og tar i bruk produktet, vennligst les disse advarslene:



ADVARSEL

For å unngå alvorlig skade:



- Les og forstå manualen før bruk.
- ADVARSEL: Bare til privat bruk og bruk utendørs.
- ADVARSEL: RISIKO FOR KVELNING! – Små deler. Ikke for barn under 3 år.
- ADVARSEL: Bare en bruker av gangen; fare for kollisjon!
- ADVARSEL: Ikke slå saltomortale eller utfør andre vanskelige hopp!
- ADVARSEL: Tøm lommer og hender før hoppingen!
- ADVARSEL: Kontinuerlig tilsyn av voksne er påkrevet.
- ADVARSEL: Ikke bruk trampolinen når den er våt.
- ADVARSEL: Trampolinen må monteres av en voksen i henhold til monteringsanvisningen og kontrolleres før første gangs bruk.
- ADVARSEL: Ikke spis under hoppingen.
- ADVARSEL: Hopp alltid midt på matten.
- ADVARSEL: Lukk alltid nettet før hoppingen.
- ADVARSEL: Unngå bruk i sterk vind og sørg for sikring av trampolinen.
- ADVARSEL: Hopp ikke ut av trampolinen.
- ADVARSEL: Begrens tiden med kontinuerlig bruk (ta jevnlig pauser)
- ADVARSEL: Hopp uten sko
- Maks brukervekt: 13.12.15.00: 130 kg

2.1 Advarsler for sikker bruk:

- FØR DU BEGYNNER Å BRUKE TRAMPOLINEN: Les og forstå informasjonen i denne manualen. Som med all sport og fysiske aktiviteter er det en risiko for at deltakerne skader seg. For å sikre at du får glede av utstyret også i fremtiden og for å hindre skader, sørg for at du følger angjeldende sikkerhetsregler og tips.
- Ta vare på denne manualen for senere bruk; den inneholder viktig informasjon.
- TA ALLTID KONTAKT MED LEGE FØR DU UTFØRER EN ELLER ANNEN FORM FOR FYSISK AKTIVITET.
- SJEKK ALLTID TRAMPOLINEN FØR BRUK OG VÆR SPESIELT OPPMERKSOM PÅ ALLE BOLTER, HOPPEMATTEN OG POLSTRINGENES POSISJON. IKKE BRUK TRAMPOLINEN OM NOEN DELER MANGLER ELLER VISER TEGN TIL SLITASJE.
- SØRG FOR AT BRUK AV TRAMPOLINEN ALLTID SKJER UNDER TILSYN – UANSETT FERDIGHETSNIVÅ.
- Stopp treningen umiddelbart om du skulle føle deg uvel eller du få smerter i ledd og muskler. Svimmelhet er et tegn på utmattelse, og du bør stoppe hoppingen og legge deg ned på bakken om du føler deg svimmel.
- Ved bruk av denne trampolinen bør du sørge for at hopperne har på seg egnete klær, fortrinnsvis treningstøy og sokker.
- Vi advarer om at trampolinen er fjærbasert slik at brukeren vil sprette mye høyere enn på bakken, så vennligst ha dette i tankene og forsikre deg om at du først føler deg trygg på å hoppe i lav høyde.
- Riktig montering, stell og vedlikehold av produktet, sikkerhetsråd, advarsler og riktige teknikker for hopping på trampolinen er inkludert i denne manualen av hensyn til din sikkerhet og for å sikre lengst mulig produktlevetid. Alle brukere og tilsynspersoner bør derfor gjøre seg kjent med disse instruksjonene. Enhver som velger å benytte seg av trampolinen må være bevisst sine egne begrensninger når det gjelder ferdighetsnivå på trampolinen.
- Trampolinen bør monteres på gress eller BSI-godkjent sikkerhetsunderlag. Den må verken installeres over betong, asfalt eller en annen hard overflate eller i nærheten av andre installasjoner som kan utgjøre fare (f. eks. plaskebasseng, husker, sklier, klatrestativ)
- Flytting av trampolinen. Hvis du har behov for å flytte trampolinen, bør den flyttes av to personer. Løft trampolinen litt opp og hold den vannrett. Hvis nødvendig kan trampolinen demonteres før flyttingen. For å ta trampolinen fra hverandre, følger du monteringsstegene i omvendt rekkefølge.
- Plasser trampolinen på et jevnt underlagt minst 2 m fra andre byggverk eller hindringer, som for eksempel gjerde, garasje, grener som henger ned, klessnorer eller elektriske ledninger.
- I tilfelle deler mangler eller er ødelagt, bes du vennligst kontakte utsalgsstedet for få hjelp.
- Forandringer som forbrukeren gjør på den opprinnelige trampolinen, (f. eks. montering av tilbehør), må utføres i tråd med instruksjonene fra produsenten.
- Vi er ikke erstatningspliktige for noen som helst skader som måtte oppstå under bruk av trampolinen.

2.2 Bruk av trampolinen

ALLER FØRST bør du bli kjent med trampolinen din og forstå hvor mye sprett hvert hopp gir. Ha fokus på kroppstilling og teknikk inntil hver øvelse kan fullføres med letthet og kontroll.

FØR DU BEGYNNER Å HOPPE FOR HØYT bør du lære deg teknikken for å stoppe. Dette hjelper deg til å unngå skader om du føler at hoppingen kommer ut av kontroll.



- Når du lander på maten, skal knærne være bøyd slik at de absorberer og stopper fjæringen i maten. Stillingen blir vist på bildet til venstre. Armene holdes utstrakt for å få bedre balanse.
- Denne teknikken kan brukes når trampolinebrukeren ønsker å stoppe hoppingen på grunn av tretthet, mangel på kontroll, etc.



SALTMORTALE (KOLLBØTTE): IKKE UTFØR noen form for saltomortaler (baklengs eller forlengs) på denne trampolinen. Hvis du gjør en feil under forsøket på å gjøre en saltomortale, kan du komme til å lande på hodet eller nakken. Dette vil øke risikoen for å brette nakken eller ryggen, noe som kan resultere i død eller lammelser.



FREMMEDELEGEMER : IKKE bruk trampolinen hvis det er kjæledyr, andre mennesker eller gjenstander under trampolinen. Dette vil øke risikoen for at det oppstår skader. IKKE hold noen gjenstand i hånden og IKKE plasser noen som helst gjenstander på trampolinen mens den er i bruk. IKKE plasser trampolinen under noe som henger over, som grenene på et tre, ledninger etc., ettersom dette kan øke risikoen for skade.



DÅRLIG VEDLIKEHOLD AV TRAMPOLINEN: En trampoline i dårlig forfatning vil øke risikoen for skader. Vennligst inspiser trampolinen hver gang før bruk og se etter bøyde stålrør, revner i maten, løse eller ødelagte fjær og sjekk trampolinens generelle stabilitet.



VÆRFORHOLD: Advarsel. Ikke bruk trampolinen i sterk vind og sørg for å sikre trampolinen. Vennligst ta hensyn til værforholdene når du bruker trampolinen. Ikke bruk trampolinen når den er våt. Hvis vinden er for sterk, kan brukeren miste kontrollen.



BEGRENS TILGANGEN: Sørg alltid for å oppbevare stigen på et sikkert sted når trampolinen ikke er i bruk. Slik hindrer du at barn leker på trampolinen uten tilsyn.

2.3 Tips for å redusere faren for ulykker



For å redusere faren for ulykker bør "TRAMPOLINEBRUKEREN":

- Alltid ha kontroll over hoppene og kroppsholdningen.
- Ikke forsøke seg på ferdigheter som ligger over brukerens kompetansenivå.
- Lese hoppet og forstå det ved å ta sats og lande i midten av trampolinen.
- Alltid ha kontroll over hoppet ved å ta sats og lande i midten av trampolinen.
- Advarsel. Hopp alltid midt på matten. Hopp alltid loddrett og unngå å sprette mot fjærene i alle retninger.
- Søk alltid råd hos en profesjonell, sertifisert trampolineinstruktør før du forsøker deg på noe utover grunnleggende teknikker.

For å redusere faren for ulykker bør "TILSYNSPERSONEN":

- Fullt ut forstå og håndheve alle sikkerhetsregler og retningslinjer.
- Veilede trampolinebrukeren og fortelle hva vedkommende gjør riktig og galt slik at brukerens trygghet blir sikret.
- Være oppmerksom og orientere trampolinebrukeren om alle sikkerhetsadvarslene.
- Advarsel: Ikke hopp ut av trampolinen.

VIKTIG: Hvis det ikke er mulig å føre tilsyn med trampolinen, bør en finne en måte å sikre den på og hindre at noen bruker produktet inntil det er mulig med tilsyn.

2.4 Sikkerhetsinstruksjoner for trampolinen

ANBEFALTE FORHOLDSREGLER UNDER BRUK AV TRAMPOLINEN



- Ikke bruk trampolinen hvis du har inntatt alkohol eller narkotiske stoffer.
- Du bør klatre opp på og ned fra trampolinen på en kontrollert og forsiktig måte. Hopp aldri opp på eller av trampolinen og bruk aldri trampolinen som et hjelpemiddel til å hoppe opp på eller inn i et annet objekt.
- Lær deg alltid de grunnleggende hoppene og sørg for å mestre hvert enkelt hopp før du forsøker deg på de mer avanserte. Gå gjennom kapitlet om de grunnleggende ferdighetene for å lære deg basisprinsippene.
- For å stoppe hoppingen må du bøye knærne når du lander på føttene.
- Sørg for at du alltid har kontroll når du hopper på trampolinen. Et kontrollert hopp er når du lander på det samme stedet som du tok sats fra. Hvis du på et tidspunkt føler at du mister kontroll, må du stoppe hoppingen umiddelbart.
- Ikke hopp eller sprett i veldig lang tid eller utfør for mange høye hopp etter hverandre. Hold øynene rettet mot matten for å bevare kontrollen. Hvis du ikke gjør det, kan du miste balansen.
- Ha aldri mer enn 1 person på trampolinen av gangen. Kollisjonsfare.

ANBEFALTE FORHOLDSREGLER UNDER TILSYN MED TRAMPOLINEN

VIKTIG: Gjør deg kjent med de grunnleggende hoppene og sikkerhetsreglene. For å forebygge og redusere risikoen for personskade, må du sørge for at alle sikkerhetsregler håndheves og at nye brukere lærer de grunnleggende hoppene før de forsøker seg på mer avanserte teknikker.

- ALLE BRUKERE trenger tilsyn, uansett ferdighetsnivå eller alder.
- Bruk aldri trampolinen når den er våt, ødelagt, skitten eller slitt. Trampolinen bør inspiseres og sjekkes før bruk.
- Hold alle gjenstander som kan komme i veien borte fra trampolinen til alle tider. Vær oppmerksom på alt som er over, under og rundt trampolinen.
- For å hindre urettmessig og ukontrollert bruk, må trampolinen være sikret til enhver tid.

2.5 Ulykkesklassifisering & -identifisering



KLATRING OPP OG NED AV TRAMPOLINEN:

Vær forsiktig når du går opp på og ned fra trampolinen. IKKE GÅ opp på trampolinen ved å gripe tak i polstringen, trække på fjærene eller ved å hoppe opp på trampolinematten fra et annet objekt (f. eks. en veranda, et tak eller en stige). Dette blir regnet som ekstremt farlig. IKKE gå ned ved å hoppe av trampolinen og lande på bakken. Hvis små barn leker på trampolinen, kan de trenge hjelp for å komme opp på eller ned fra den.



BRUK AV ALKOHOL ELLER DRUGS:

IKKE innta alkohol eller narkotiske stoffer (dette inkluderer også medisiner som kan påvirke brukerens koordineringsevne) når du skal benytte trampolinen. Dette blir regnet som ekstremt farlig siden disse stoffene svekker dømmekraften, reaksjonstiden og den generelle fysiske koordineringen.



FLERE BRUKERE:

Bare en bruker av gangen; fare for kollisjon!



Å TREFFE RAMME OG FJÆRER:

HOLD deg i midten av trampolinematten under lek på trampolinen. Dette reduserer faren for å bli skadet ved landing på rammen eller fjærene. Sørg for at kantpolstringen alltid dekker rammen på trampolinen. IKKE hopp eller trakk rett på kantpolstringen. Den er ikke laget for å tåle vekten av en person.



Å MISTE KONTROLLEN:

IKKE forsøk vanskelige manøvrer før du mestrer de grunnleggende teknikkene. Hvis du unnlater å følge disse retningsslinjene, øker risikoen for at noen blir skadet.

ADVARSEL: Ta en pause hvert 10. minutt.

3.0 TRAMPOLINETEKNIKKER

BASISFERDIGHETER

BASISFERDIGHET 1: Basishoppet



- Start fra en stående posisjon med føttene skulderbredt fra hverandre og øynene rettet mot hoppe-matten.
- Sving armene forover og opp over hodet i en sirkulær bevegelse.
- Hold bena og føttene sammen i luften og la tærne peke nedover.
- Land på matta igjen med føttene skulderbredt fra hverandre (som i utgangsposisjonen).
- Når du er trygg på dette, kan du forsøke å gå videre til neste øvelse.

BASISFERDIGHET 2: Knehoppet

- Start med et lavt basishopp (som beskrevet i BASISFERDIGHET 1).
- Land på knærne og hold dem skulderbredt fra hverandre, hold ryggen rett og kroppen spenstig og strekk ut armene til siden eller forover for å holde balansen.
- Bruk sprettkraften til å komme tilbake til basishopp-posisjonen og sving armene over hodet.
- Når du mestrer dette i denne høyden kan du forsøke å hoppe litt høyere, men glem ikke at du alltid må beholde kontrollen.



BASISFERDIGHET 3: Sittehoppet



- Start med et lavt basishopp (BASISFERDIGHET 1) i normal posisjon.
- Land med bena strukket ut foran deg, med hendene på hver side av hoften. Hold ryggen rett og kroppen spenstig.
- Bruk sprettkraften og hjelp til ved å skyve fra med hendene for å komme tilbake til stående posisjon.
- Når du mestrer dette i denne høyden, kan du forsøke å hoppe litt høyere, men husk at du alltid må beholde kontrollen.

VIKTIG: Søk alltid råd hos en profesjonell, sertifisert trampolineinstruktør før du forsøker på noe utover grunnleggende teknikker for å sikre så høyt sikkerhetsnivå som mulig.

AVANSERTE FERDIGHETER

AVANSERT FERDIGHET 1: Basishoppet



- Start med et lavt basishopp (BASISFERDIGHET 1) i normal posisjon.
- Land på hendene og knærne samtidig. Sørg for at du holder ryggen horisontalt i forhold til hoppematten og hender og ben skulderbredt fra hverandre.
- Bruk sprettkraften og skyv fra med hendene for å gjenvinne stående posisjon.
- Når du mestrer dette i denne høyden, kan du forsøke å hoppe litt høyere, men husk at du alltid må beholde kontrollen.
- Når du er trygg på dette, kan du forsøke å gå videre til neste øvelse.

AVANSERT FERDIGHET 2: Hopp på hender og knær til fall fremover-hopp

- Land på hendene og knærne samtidig. Sørg for at du holder ryggen horisontalt i forhold til hoppematten og hender og ben skulderbredt fra hverandre.
- Hold kroppen i spenst med ryggen horisontalt i forhold til matten. Strekk ut bena bak deg og fold armene foran ansiktet mens du er i luften slik at du er klar til å lande i liggende posisjon.
- Sørg for at landingen skjer ved at hele kroppen treffer matten samtidig.
- Skyv fra med hendene og gjennvinn stående posisjon.
- Når du mestrer dette på i høyden, kan du forsøke å hoppe litt høyere, men husk at du alltid må beholde kontrollen.
- Når du er trygg på dette, kan du forsøke å gå videre til neste øvelse.



AVANSERT FERDIGHET 3: Fall fremover hopp



- Start med et lavt hopp (BASISFERDIGHET 1) i normal posisjon.
- Hold kroppen i spenst med ryggen horisontalt i forhold til matten. Strekk ut bena bak deg og fold armene foran ansiktet mens du er i luften slik at du er klar til å lande i liggende posisjon.
- Sørg for at landingen skjer ved at hele kroppen treffer matten samtidig.
- Skyv fra med hendene og gjennvinn stående posisjon.
- Når du mestrer dette på denne høyden, kan du forsøke å hoppe litt høyere, men husk at du alltid må beholde kontrollen.

VIKTIG: Hvis du ønsker å videreutvikle deg og lære mer avanserte trampolineteknikker, må du kontakte en profesjonell, kvalifisert instruktør.

4.0 GENERELL INFORMASJON

- Selvsikrende muttere og skruer egner seg bare til oppsetting én gang, og må skiftes ut om trampolinen og/eller sikkerhetsnettet har vært tatt ned.
- Sikkerhetsnettet har begrenset holdbarhet og skal skiftes ut etter 2 års bruk.
- Det anbefales å plassere trampolinen på et flatt og jevnt underlag med minst 2 m avstand til andre byggverk eller hindringer som for eksempel gjerde, garasje, grener som henger ned, klessnorer eller elektriske ledninger.
- Trampolinen må ikke plasseres over en hard overflate som f. eks. betong, asfalt etc.
- Skift ut ødelagte deler i henhold til leverandørens anvisninger.
- Forandringer på trampolinen (f. eks. montering av tilbehør) må gjøres i henhold til leverandørens instruksjer.

5.0 MONTERING AV TRAMPOLINEN

STEG FOR STEG-OPPSETTING

Skal bare monteres av voksne.

Alt du trenger for å montere denne trampolinen er vårt spesielle fjærmonteringsverktøy som følger med dette produktet. I perioder der trampolinen ikke brukes, kan denne trampolinen enkelt demonteres og lagres. Vennligst les monteringsinstruksen før du begynner å montere produktet.

Vennligst konsulter fortegnelsen for å finne beskrivelser og nummer på delene. Monteringsinstruksen bruker disse beskrivelsene og numrene som referanse.

Forsikre deg om at du har alle delene i fortegnelsen. Hvis du mangler én eller flere deler, må du kontakte utsalgsstedet.

Vennligst bruk hansker for å beskytte hendene mot å komme i klemme under monteringen. Når du er klar til å begynne, må du sørge for at du har godt med plass og et rent og tørt område til monteringen.

Du finner monteringsstegene i kapitel 5.0 (side 124-134)

6.0 STELL OG VEDLIKEHOLD

Denne trampolinen er fagmessig utformet og fremstilt av kvalitetsmaterialer. Med riktig stell og vedlikehold vil den gi mange år med trening, moro og glede for alle hopperne, og i tillegg vil dette minske risikoen for skader. Vennligst følg retningslinjene under:

Denne trampolinen er utformet for å tåle en viss mengde vekt og bruk. Sørg for at bare en person av gangen bruker trampolinen. Hoppere bør enten ha på sokker eller turnsko eller være barføtt under bruk av trampolinen. Vær oppmerksom på at spasersko eller tennissko IKKE skal brukes på trampolinen. For å unngå at trampolinematten revner eller blir ødelagt, kan ikke kjæledyr tillates på maten. Hoppere må også kvitte seg med alle skarpe gjenstander før bruk av trampolinen. Enhver form for skarp eller spiss gjenstand må til enhver tid holdes borte fra trampolinematten.

Vedlikeholdsinstrukser

Sørg for å utføre kontroll og vedlikehold av de viktigste delene (ramme, opphengssystem, matte, polstring og sikkerhetsnett) ved begynnelsen av hver sesong og også jevnlig hver annen uke. Hvis disse kontrollene ikke gjennomføres, kan trampolinen bli farlig!

- Sørg for at alle borrelåser er festet korrekt under bruk av trampolinen!
- Det er nødvendig å sjekke at alle skruer og muttere sitter godt fast og skru til om påkrevet;
- Du må kontrollere at alle fjærbelastede forbindelser (låsепinne) er uskadet og ikke beveger seg under leken;
- Alle dekkskruer og skarpe kanter må kontrolleres og erstattes om nødvendig;
- Ta vare på vedlikeholdsmanualen

Inspiser alltid trampolinen før bruk og sjekk at ingen deler er utslitt eller mangler. En rekke forhold kan oppstå som øker risikoen for skader. Vennligst vær oppmerksom på:

- Stikk, hull eller revner i trampolinematten
- En trampolinematte som henger ned
- Løse sømmer eller andre former for slitasjeskader på maten
- Bøyde eller ødelagte deler av rammen, som for eksempel bena.
- Ødelagte, manglende eller skadete fjær
- Ødelagt, manglende eller dårlig festet kantpolstring
- Alt som stikker ut (særlig skarpe ting) på rammen, fjærene eller maten

HVIS DU OPPDAGER NOEN AV FORHOLDENE OVER, ELLER NOE ANNET SOM DU FØLER KAN PÅFØRE BRUKERE SKADE, MÅ TRAMPOLINEN DEMONTERES OG SIKRES SLIK AT BRUKEN HINDRES INNTIL FORHOLDENE ER RETTET PÅ.

KRAFTIG VIND

I sterk vind kan trampolinen blåse overende. Hvis du venter vindfullt vær, må trampolinen flyttes til et beskyttet sted eller demonteres. En annen mulighet er å feste den runde, utvendige delen (topprammen) av trampolinen til bakken ved hjelp av tau og påler. For å sikre trampolinen helt, må det benyttes minst tre (3) festepunkter.

FLYTTING AV TRAMPOLINEN

Hvis du har behov for å flytte trampolinen, trengs det to personer. Alle koblingspunkter må vikles inn i værbestandig tape, som for eksempel duct tape. Dette vil holde rammen intakt under flyttingen og hindre at koblingspunktene flytter seg eller beveger seg fra hverandre. Når du skal flytte trampolinen, løfter du den litt opp fra bakken og holder den horisontalt i forhold til bakken. For alle andre former for flytting må du demontere trampolinen.

VINTER

I enkelte land kan snømengdene og svært lave temperaturer ødelegge trampolinen. Det anbefales å fjerne snøen og lagre maten og nettet innendørs.

7.0 GARANTI

1. D1. Etter fakturadatoen for kjøpet, har eieren av trampolinen EXIT Peak Pro:
 - 10-års garanti når det gjelder brudd på rammen
 - 5-års garanti på fjærene
 - 2-års garanti på beskyttelsespolstringen og hoppematten.
 - 2-års garanti når det gjelder revner i nettet
2. Garantien gjelder bare material- og konstruksjonsfeil med hensyn til dette produktet og dets komponenter.
3. Garantien gjelder ikke hvis:
 - Dette produktet har vært brukt på en feil og/eller skjodesløs måte og på en måte som ikke er i samsvar med formålet.
 - Dette produktet ikke har blitt montert og vedlikeholdt ifølge instruksjonsboken.
 - Tekniske reparasjoner av dette produktet ikke har vært utført av profesjonelle.
 - Deler som har blitt montert i etterkant ikke har vært i samsvar med de tekniske spesifikasjonene til angjeldende produkt eller montert feil.
 - Defekter er et resultat av klimatisk påvirkning som rust, UV-stråler eller normal nedbrytning.
 - Produktet har vært leid ut eller gjort tilgjengelig for forskjellige, uspesifiserte personer på annen måte.
4. EXIT Toys vil reparere og erstatte etter eget valg alle materialer og konstruksjonsdefekter som er blitt konstatert av EXIT Toys i løpet av garantiperioden.
5. Eierne av EXIT Toys-trampolinen er bare berettiget til garantien hvis vedkommende fremlegger produktet for inspeksjon hos en forhandler av EXIT TOYS. Det må leveres inn til EXIT TOYS-forhandleren sammen med den originale fakturaen.
6. I tilfelle material- eller konstruksjonsfeil er konstatert av EXIT Toys, vil produktet eller dets komponenter gratis bli reparert eller erstattet – etter selskapets valg – i løpet av garantiperioden nevnt i Artikkel 1.
7. Hvis garantikravet ikke er berettiget, vil kostnadene være for eierens regning.
8. Denne garantien kan ikke overføres til en tredjepart.
9. Trampolinen er utformet for personlig bruk. Det er ikke tillatt å leie den ut eller plassere trampolinen på offentlige steder som skoler eller barnehager. Garantien og alt annet ansvar vil utløpe om den leies ut eller blir benyttet på et offentlig sted.

1.0 Introducción

¡Enhorabuena por elegir una cama elástica Silhouette de EXIT!

Diversión, mantenerse activo y jugar al aire libre... Eso es lo que nos impulsa a desarrollar juguetes innovadores y de calidad para niños guais. Hacemos todo lo posible para desarrollar productos seguros para los niños. Como nuestros productos están clasificados como juguetes, cumplimos con las normas más estrictas en materia de seguridad para el consumidor. Antes de lanzar nuestros productos al mercado, realizamos pruebas independientes para su certificación. Además, probamos continuamente nuestras series de producción y volvemos a realizar pruebas independientes periódicamente como comprobación adicional. La marca EXIT solo marca y reconoce los productos que cumplen con el más alto estándar de EXIT Toys. «Queremos darle las gracias por la compra de este producto y por su confianza en el mismo. Estamos seguros de que sus hijos se divertirán tanto como nosotros durante el desarrollo. Agradecemos todos los comentarios e ideas que nos ayuden a mejorar nuestros productos o a desarrollar otros nuevos.

Le invitamos a que nos envíe sus ideas a info@exittoys.com» Visite www.exittoys.com y descubra más fantásticos productos nuevos.

El equipo de EXIT Toys

2.0 Directrices para un uso seguro

Usar el producto según las instrucciones de este manual eliminará prácticamente todos los riesgos. No obstante, por favor, tenga en cuenta que los niños tienen un impulso natural de jugar y que esto puede llevar a situaciones de peligro imprevistas de las que no puede hacerse responsable al fabricante. Enseñe a sus hijos cómo usar el producto y explíqueles los posibles peligros.

Antes de montar y usar el producto, por favor, lea y tenga en cuenta las siguientes advertencias principales:



ADVERTENCIA

Para evitar lesiones graves:



- Lea y comprenda el manual antes de usarla.
 - ADVERTENCIA: solo para uso doméstico y exterior.
 - ADVERTENCIA: ¡RIESGO DE ASFIXIA! - Piezas pequeñas.
No es apta para niños menores de 3 años.
 - Proteja a los niños
 - Prevenga las caídas y los estrangulamientos - Salga solo por la puerta y tenga cuidado.
 - Ayude a los niños pequeños a entrar y salir de la red de seguridad.
 - ADVERTENCIA: solo un usuario a la vez; ¡riesgo de colisión!
 - ADVERTENCIA: ¡no realice saltos mortales ni otros saltos difíciles!
 - ADVERTENCIA: ¡vacíe sus bolsillos antes de usar la cama elástica!
 - Se requiere la supervisión continua por parte de un adulto.
 - No use la cama elástica cuando esté mojada.
 - ADVERTENCIA. La cama elástica debe montarse por un adulto de conformidad con las instrucciones de montaje y, a continuación, comprobarse antes del primer uso.
En caso de que falten o haya piezas rotas, por favor, póngase en contacto con el lugar de compra para obtener ayuda.
 - ADVERTENCIA: no coma mientras salta.
 - No nos hacemos responsables de las lesiones que puedan producirse al usar la cama elástica.
- Las modificaciones realizadas por el consumidor en la cama elástica original (por ejemplo, añadir un accesorio) deberán llevarse a cabo de conformidad con las instrucciones del fabricante.
- La cama elástica no está diseñada para enterrarse en el suelo.
- Peso máx. del usuario: 130kg

2.1 Advertencias para un uso seguro:

- ANTES DE EMPEZAR A USAR SU CAMA ELÁSTICA: lea y comprenda la información proporcionada en este manual. Como en todos los deportes y actividades físicas, existe el riesgo de que los participantes sufran una lesión. Para asegurar su disfrute futuro y la prevención de lesiones, asegúrese de seguir normas y consejos de seguridad adecuados.
- Conserve este manual para futuras consultas; contiene información importante.
- Cierre siempre la abertura del recinto antes de usarla.
- CONSULTE SIEMPRE CON UN MÉDICO ANTES DE REALIZAR CUALQUIER TIPO DE ACTIVIDAD FÍSICA.
- COMPRUEBE SIEMPRE SU CAMA ELÁSTICA ANTES DE USARLA, PRESTANDO ESPECIAL ATENCIÓN A TODOS LOS PERNOS, A LA POSICIÓN DE LA LONA DE SALTO Y DE LAS COLCHONETAS. NO LA UTILICE SI LE FALTA ALGUNA PIEZA O PARECE QUE ESTÁN DESGASTADAS.
- ASEGÚRESE SIEMPRE DE QUE SOLO UNA PERSONA USE LA CAMA ELÁSTICA AL MISMO TIEMPO. Riesgo de colisión.
- ASEGÚRESE SIEMPRE DE QUE, CUANDO UNA PERSONA DE CUALQUIER NIVEL DE HABILIDAD USE LA CAMA ELÁSTICA, LO HAGA BAJO SUPERVISIÓN.
- Deje de hacer ejercicio inmediatamente si se siente mal o si siente dolor en las articulaciones y los músculos. El mareo es un signo de fatiga y debe dejar de botar y tumbarse en el suelo si se siente mareado.
- Cuando utilice esta cama elástica, asegúrese de llevar ropa adecuada, preferiblemente ropa deportiva y calcetines. NUNCA LLEVE ZAPATOS EN LA LONA.
- Por favor, tenga en cuenta que la cama elástica está basada en muelles y permitirá al usuario saltar a una mayor altura que en el suelo. Por eso, tenga esto en cuenta y asegúrese de que se siente cómodo saltando primero a bajas alturas.
- En este manual se incluye el montaje, cuidado y mantenimiento adecuados del producto, los consejos de seguridad, las advertencias y las técnicas adecuadas para saltar en su cama elástica para su seguridad y para prolongar la vida útil del producto. Por lo tanto, todos los usuarios y supervisores deben familiarizarse con estas instrucciones. Cualquier persona que decida usar la cama elástica debe ser consciente de sus propias limitaciones con respecto a la realización de habilidades en esta cama elástica.
- La cama elástica debe montarse sobre césped o sobre una estera de seguridad aprobada por la British Standards Institution. No debe instalarse sobre hormigón, asfalto o cualquier otra superficie dura, ni cerca de otras instalaciones conflictivas (por ejemplo, piscinas infantiles, columpios, toboganes, estructuras de escalada)
- Este producto está destinado exclusivamente a un uso doméstico.
- Mover la cama elástica. Si es necesario mover la cama elástica y su recinto, esto debe hacerse por dos personas, manteniéndolos en posición horizontal y levantándolos ligeramente. Si es necesario, la cama elástica y el recinto pueden desmontarse para moverlos. Para desmontar la cama elástica, siga los pasos de montaje en orden inverso.

2.2 Uso de la cama elástica

INICIALMENTE, debe acostumbrarse a su cama elástica y entender cuánto impulso hay en cada bote. El enfoque en este punto debe ser la posición del cuerpo y la técnica hasta que cada habilidad pueda completarse con facilidad y control.



- ANTES DE INTENTAR SALTAR DEMASIADO ALTO se debe aprender la técnica para parar, ya que esto ayudará a prevenir lesiones en caso de que sienta que está saltando fuera de control.
- Cuando el usuario aterrice en la cama, las rodillas deben estar dobladas para que se detengan y absorban la energía de la lona. La posición se muestra en la imagen de la izquierda. Los brazos deben mantenerse extendidos para aumentar el nivel de equilibrio.
- Esta habilidad se utiliza cuando el usuario de la cama elástica desea dejar de botar en la cama elástica por cansancio, pérdida de control, etc.



SALTOS MORTALES (VOLTERETAS): NO REALICE saltos mortales de ningún tipo (hacia adelante o hacia atrás) en esta cama elástica. Si comete un error al intentar realizar un salto mortal, podría caer sobre su cabeza o cuello. Esto aumentará las posibilidades de que se rompa el cuello o la espalda, lo que podría provocar muerte o parálisis



OBJETOS EXTRAÑOS: NO use la cama elástica si hay mascotas, otras personas o cualquier objeto debajo de la cama elástica. Esto aumentará las posibilidades de que se produzca una lesión. NO sostenga ningún objeto extraño en su mano y NO coloque ningún objeto en la cama elástica mientras este en uso. NO coloque la cama elástica debajo de objetos que cuelguen, como ramas de árboles, cables, etc., ya que aumentarán las posibilidades de que se lesione.



MAL MANTENIMIENTO DE LA CAMA ELÁSTICA: una cama elástica en mal estado aumentará el riesgo de sufrir lesiones. Por favor, inspeccione la cama elástica antes de cada uso para ver si hay tubos de acero doblados, si la lona está rota, si hay muelles sueltos o rotos y comprobar la estabilidad general de la cama elástica.



CONDICIONES METEOROLÓGICAS: advertencia. No la use en condiciones de viento fuerte y asegure la cama elástica. Por favor, tenga en cuenta las condiciones meteorológicas cuando use la cama elástica. No use la cama elástica cuando esté mojada. Si hay demasiado viento, el usuario podría perder el control.



RESTRINGIR EL ACCESO: cuando la cama elástica no esté en uso, guarde siempre la escalera de acceso en un lugar seguro para que los niños sin supervisión no puedan jugar en la cama elástica.

2.3 Consejos para reducir el riesgo de accidentes



Para reducir el riesgo de accidentes, el «USUARIO DE LA CAMA ELÁSTICA» debe:

- Controlar siempre sus saltos y la posición de su cuerpo en todo momento.
- No intentar realizar habilidades que estén por encima de su propio nivel de competencia.
- Leer y comprender el salto despegando y aterrizando en el centro de la cama elástica.
- Controlar siempre sus saltos despegando y aterrizando en el centro de la cama elástica.
- Advertencia. Salte siempre en el centro de la colchoneta. Salte siempre en vertical y absténgase de botar hacia los muelles en cualquier dirección.
- Consulte siempre con un instructor certificado profesionalmente de cama elástica antes de intentar algo más que las técnicas básicas. Para reducir el riesgo de accidente, el «SUPERVISOR» debe:
 - Entender completamente y hacer cumplir todas las normas y directrices de seguridad.
 - Asesorar al usuario de la cama elástica y proporcionarle conocimientos sobre lo que está haciendo bien y mal para garantizar la seguridad del mismo.
 - Estar atento y avisar al usuario de la cama elástica de todas las advertencias de seguridad.
 - Advertencia. No salga de la cama elástica saltando.

IMPORTANTE: si la cama elástica no puede supervisarse, debe haber un método para asegurarla y evitar que alguien la utilice hasta que haya supervisión.

2.4 Instrucciones de seguridad de la cama elástica

PRECAUCIONES DURANTE EL USO DE LA CAMA ELÁSTICA



- No use la cama elástica si ha consumido alcohol o estupefacientes
- Debe subir y bajar de la cama elástica de manera controlada y cuidadosa. Nunca salte hacia la cama elástica o fuera de ella y no use nunca la cama elástica como medio para botar sobre o contra otro objeto.
- Aprenda siempre el bote básico y domine cada tipo de bote antes de intentar tipos de botes más difíciles. Consulte la sección de habilidades básicas para aprender a hacer lo básico.
- Para frenar el bote, flexione las rodillas cuando aterrice sobre los pies.
- Mantenga siempre el control cuando esté botando en la cama elástica. Un salto controlado es cuando se aterriza en el mismo lugar del que despegó. Si en algún momento se siente fuera de control, deje de botar inmediatamente.
- No salte ni bote durante periodos prolongados de tiempo o demasiado alto durante un cierto número de saltos. Mantenga la vista en la lona para mantener el control. Si no lo hace, podría perder el equilibrio.
 - Nunca tenga más de una persona en la cama elástica en cualquier momento. Riesgo de colisión.

PRECAUCIONES IMPORTANTES MIENTRAS SE SUPERVISA LA CAMA ELÁSTICA:

familiarícese con los saltos básicos y las normas de seguridad. Para prevenir y reducir el riesgo de lesiones, asegúrese de que se cumplen todas las normas de seguridad y de que los nuevos usuarios aprenden los saltos básicos antes de intentar técnicas más avanzadas.

- TODOS LOS USUARIOS necesitan supervisión, independientemente de su nivel de habilidad o edad.
- No use nunca la cama elástica cuando esté mojada, dañada, sucia o desgastada. La cama elástica debe inspeccionarse antes de su uso.
- Mantenga siempre alejados de la cama elástica todos los objetos que puedan interferir durante su uso. Tenga en cuenta lo que hay por encima, por debajo y alrededor de la cama elástica.
- Para evitar un uso no supervisado y no autorizado, la cama elástica debe estar asegurada en todo momento.

2.5 Clasificación e identificación de accidentes



MONTAJE Y DESMONTAJE:

tenga mucho cuidado al subir y bajar de la cama elástica. NO monte la cama elástica agarrando la colchoneta del armazón, pisando los muelles o saltando sobre la lona de la cama elástica desde un objeto (por ejemplo, una plataforma, un tejado o una escalera). Esto se considera como muy peligroso. NO se baje de la cama elástica saltando de ella y aterrizando en el suelo. Si están jugando niños pequeños en la cama elástica, estos pueden necesitar ayuda para subir y bajarse de la misma



USO DE ALCOHOL O DROGAS:

NO consuma alcohol ni tome drogas (esto incluye medicamentos que puedan afectar a la coordinación del usuario) cuando use esta cama elástica. Esto se considera muy peligroso, ya que estas sustancias extrañas alteran el juicio, el tiempo de reacción y la coordinación física en general.



MÚLTIPLES USUARIOS:

solo un usuario a la vez; ¡peligro de colisión!



GOLPEAR EL ARMazón ELÁSTICO:

cuando juegue en la cama elástica, PERMANEZCA en el centro de la colchoneta de salto. Esto reducirá el riesgo de lesionarse al aterrizar en el armazón elástico. Mantenga siempre las colchonetas del armazón cubriendo el armazón de la cama elástica. NO salte ni pise directamente las colchonetas del armazón, ya que no están pensadas para soportar el peso de una persona.



PÉRDIDA DEL CONTROL:

NO intente maniobras difíciles hasta que no domine lo básico. Si no sigue estas directrices, estará aumentando el riesgo de que alguien se lesione.

ADVERTENCIA: haga una pausa cada 10 minutos.

3.0 Técnicas de la cama elástica

Habilidades básicas

HABILIDAD BÁSICA 1: el bote básico



- Comience desde una posición de pie, con los pies separados perpendiculares al ancho de los hombros, la cabeza en alto y los ojos en la cama elástica.
- Mueva los brazos hacia delante y hacia arriba por encima de la cabeza con un movimiento circular.
- Junte las piernas y los pies en el aire, y haga punta con los pies.
- Aterrice de nuevo en la lona con los pies separados perpendiculares al ancho de los hombros (igual que en la posición inicial).
- Intente pasar a la siguiente habilidad una vez que se sienta cómodo y competente.

HABILIDAD BÁSICA 2: la caída sobre las rodillas

- Comience con un bote básico bajo (como se detalla en la HABILIDAD BÁSICA 1).
- Aterrice con las rodillas separadas perpendiculares al ancho de los hombros, manteniendo la espalda recta y una posición corporal fuerte usando los brazos hacia los lados o hacia el frente para mantener el equilibrio.
- Vuelva a la posición básica de bote utilizando el impulso del bote y balanceando los brazos por encima de la cabeza.
- Una vez que domine esta altura, intente botar un poco más alto, pero recuerde que siempre debe controlar su altura.



HABILIDAD BÁSICA 3: la caída sentado



- Comience con un bote básico bajo (HABILIDAD BÁSICA 1) en la posición normal.
- Aterrice con las piernas estiradas delante de usted, con las manos a ambos lados de las caderas y la espalda recta en una posición corporal fuerte.
- Use el impulso del bote con ayuda de un empuje de las manos para volver a la posición de pie.
- Una vez que domine esta altura, intente botar un poco más alto, pero recuerde que siempre debe controlar su altura.

IMPORTANTE: por favor, consulte con un instructor cualificado de cama elástica antes de intentar cualquier habilidad más avanzada para asegurar que se mantengan los niveles de seguridad más altos posibles.

Habilidades avanzadas

HABILIDAD AVANZADA 1: el bote básico



- Comience con un bote básico bajo (HABILIDAD BÁSICA 1) en la posición normal.
- Aterrice sobre las manos y las rodillas al mismo tiempo, asegúrese de que la espalda está horizontal a la lona de salto y las manos y las piernas también están separadas perpendiculares al ancho de los hombros.
- Aproveche el impulso del bote y empuje con las manos para recuperar la posición de pie. • Una vez que domine esta altura, intente botar un poco más alto, pero recuerde que siempre debe controlar su altura. • Intente pasar a la siguiente habilidad una vez que se sienta cómodo y competente.

HABILIDAD AVANZADA 2: manos y rodillas a la caída frontal

- Aterrice sobre las manos y las rodillas al mismo tiempo, asegúrese de que la espalda está horizontal a la lona de salto y las manos y las piernas también están separadas perpendiculares al ancho de los hombros.
- Mantenga una posición corporal fuerte con la espalda horizontal a la lona y enderece las piernas por detrás y doble los brazos delante de la cara en posición tumbada.
- Asegúrese de que el aterrizaje se realiza con todo el cuerpo tocando la colchoneta al mismo tiempo.
- mpuje con las manos y recupere la posición de pie.
- Una vez que domine esta altura, intente botar un poco más alto, pero recuerde que siempre debe controlar su altura.



HABILIDAD AVANZADA 3: la caída frontal



- Comience con un bote básico bajo (HABILIDAD BÁSICA 1) en la posición normal.
- Mantenga una posición corporal fuerte con la espalda horizontal a la lona y enderece las piernas por detrás y doble los brazos delante de la cara en posición tumbada.
- Asegúrese de que el aterrizaje se realiza con todo el cuerpo tocando la colchoneta al mismo tiempo. Empuje con las manos y recupere la posición de pie. Una vez que domine esta altura, intente botar un poco más alto, pero recuerde que siempre debe controlar su altura.

IMPORTANTE: si desea progresar más y aprender técnicas más avanzadas para saltar en una cama elástica, consulte con un instructor cualificado y registrado.

4.0 Información general

- Las tuercas y los tornillos de autosujeción solo son aptos para un solo montaje y deben reemplazarse si la cama elástica y/o la red de seguridad se rompen.
- La red de seguridad tiene una durabilidad limitada; sustitúyala tras 2 años de uso.
- Se recomienda colocar las camas elásticas en una superficie plana y nivelada con una distancia mínima de 3 m a otras superestructuras o barreras, por ejemplo, una valla, un garaje, una casa, ramas de árboles, tendedores o cables eléctricos.
- La cama elástica no debe colocarse sobre superficies duras como asfalto, hormigón, etc.
- Cambie las piezas defectuosas según la recomendación del proveedor.
- Las modificaciones de la cama elástica (por ejemplo, la adición de un accesorio) deben realizarse de conformidad con las instrucciones del proveedor.

5.0 Montaje de la cama elástica

CONSTRUCCIÓN PASO A PASO

El montaje solo puede llevarse a cabo por un adulto. El montaje solo puede llevarse a cabo por un adulto.

Para montar esta cama elástica todo lo que necesita es nuestra herramienta especial de carga de muelles incluida con este producto. Durante los periodos de no utilización, esta cama elástica puede desmontarse y almacenarse fácilmente. Por favor, lea las instrucciones de montaje antes de empezar a montar el producto. Por favor, consulte la tabla para ver las descripciones y los números de las piezas. Las instrucciones de montaje utilizan estas descripciones y números como referencia. Asegúrese de que tiene todas las piezas enumeradas. Si le falta alguna pieza, por favor, póngase en contacto con el lugar de compra.

Por favor, utilice guantes para proteger sus manos de los puntos de aprisionamiento durante el montaje. Cuando esté listo para empezar, asegúrese de que dispone de mucho espacio y de una zona limpia y seca para el montaje.

6.0 CUIDADO Y MANTENIMIENTO

Esta cama elástica ha sido diseñada y fabricada con materiales de calidad y destreza. Si se cuida y mantiene de manera adecuada, proporcionará a todos los saltadores años de ejercicio, diversión y disfrute, además de reducir el riesgo de lesiones. Por favor, siga las directrices que se indican a continuación: esta cama elástica está diseñada para soportar una cierta cantidad de peso y uso. Por favor, asegúrese de que solo una persona usa la cama elástica al mismo tiempo. Los saltadores deben llevar calcetines, zapatillas de gimnasia o estar descalzos cuando utilicen la cama elástica. Por favor, tenga en cuenta que NO deben llevarse zapatos de calle o tenis mientras se usa la cama elástica. Para evitar que la lona de la cama elástica se rasgue o se dañe, no permita que ningún animal doméstico se suba en la misma. Además, los saltadores deben quitarse todos los objetos punzantes de encima antes de usar la cama elástica. Cualquier tipo de objeto afilado o puntiagudo debe mantenerse fuera de la lona de la cama elástica en todo momento.

Instrucciones de mantenimiento

Asegúrese de realizar las comprobaciones y el mantenimiento de las partes principales (armazón, sistema de suspensión, lona, colchonetas y recinto) al principio de cada temporada y también a intervalos regulares cada 2 semanas. ¡Si no se realizan estas comprobaciones, la cama elástica puede resultar peligrosa!

- ¡Asegúrese de que las sujeciones de gancho y bucle están cerradas correctamente durante el uso de la cama elástica!
- Es necesario determinar si todas las tuercas y tornillos están apretados y, si fuera necesario, apretarlos;
- Debe comprobarse que ninguna de las conexiones con resortes (pasador de bloqueo) esté dañada y se mueva mientras se juega;
- Deben comprobarse y sustituirse las cubiertas de tornillos y los bordes afilados si fuera necesario;
- El manual de mantenimiento debe conservarse.

. Inspeccione siempre la cama elástica antes de cada uso para ver si hay partes desgastadas, dañadas o faltantes. Pueden surgir una serie de condiciones que pueden aumentar las posibilidades de lesionarse. Por favor, preste atención a:

- Pinchazos, agujeros o desgarros en la lona de la cama elástica
- Lona de la cama elástica hundida
- Costuras sueltas o cualquier tipo de deterioro de la lona
- Piezas del armazón dobladas o rotas, como las patas
- Muelles rotos, faltantes o dañados
- Colchonetas del armazón dañadas, faltantes o unidas de forma insegura
- Protuberancias de cualquier tipo (especialmente afiladas) en el armazón, los muelles o la lona.

SI ENCUENTRA ALGUNA DE LAS CONDICIONES ANTERIORES O CUALQUIER OTRA COSA QUE CONSIDERE QUE PUEDE CAUSAR DAÑOS A CUALQUIER USUARIO, LA CAMA ELÁSTICA DEBE DESMONTARSE O ASEGURARSE PARA QUE NO SE USE HASTA QUE SE RESUELVA(N) LA(S) CONDICIÓN(ES).

CONDICIONES DE VIENTO.

En situaciones de un intenso viento, este puede volar la cama elástica. Si se prevén condiciones meteorológicas ventosas, la cama elástica debe moverse a una zona protegida o desmontarse. Otra opción es atar la parte exterior de base (armazón superior) de la cama elástica al suelo mediante cuerdas y estacas. Para garantizar la seguridad, se deben usar al menos tres (3) amarres.

MOVER LA CAMA ELÁSTICA Si necesita mover la cama elástica, esto debe hacerse por dos personas. Todos los puntos de conexión deben estar envueltos y asegurados con cinta adhesiva resistente a la intemperie como, por ejemplo, cinta aislante. Esto mantendrá el armazón intacto durante el traslado y evitará que los puntos de conexión se disloquen y se separen. Cuando la mueva, levante la cama elástica ligeramente del suelo y manténgala en posición horizontal al mismo. Para cualquier otro tipo de movimiento, deberá desmontar la cama elástica

WINTER En algunos países, durante la temporada de invierno, la carga de nieve y la temperatura muy baja pueden dañar la cama elástica. Se recomienda retirar la nieve y almacenar la lona y el recinto en el interior.

7.0 Garantía

1. Después de la fecha de la factura de compra, el propietario de la cama elástica Silhouette de EXIT tiene: - Una garantía de 10 años para la rotura del armazón. - Una garantía de 5 años para los muelles. - Una garantía de 2 años para las colchonetas protectoras y la lona de salto. - Una garantía de 2 años para el desgaste de la red.
2. La garantía se aplica únicamente a los defectos de material y de construcción con respecto a este producto o sus componentes.
3. La garantía se extingue si: • Este producto se utiliza de manera incorrecta y/o descuidada y si se utiliza de manera que no cumpla con su propósito. • Este producto no se monta y cuida de conformidad con el manual de instrucciones. • Las reparaciones técnicas de este producto no se realizan de manera profesional. • Las piezas que se montan posteriormente no cumplen con las especificaciones técnicas del producto en cuestión o se montan de manera incorrecta. • Los defectos son el resultado de influencias climáticas como la corrosión, los rayos UV o la desintegración normal. • El producto se alquila o se pone a disposición de varias personas no especificadas de cualquier otra manera.
4. EXIT Toys reparará o sustituirá a su elección todos los defectos de material y de construcción determinados por EXIT Toys durante el período de garantía.
5. El propietario de la cama elástica solo tiene derecho a la garantía presentando el producto para su inspección en un distribuidor de EXIT Toys. Debe entregarse al distribuidor de EXIT Toys acompañado de la factura original de compra.
6. En caso de defectos de material y de construcción determinados por EXIT Toys, el producto o sus componentes se repararán o sustituirán —a su elección— de manera gratuita durante el período de garantía mencionado en el artículo 1.
7. Si la reclamación de la garantía no está justificada, todos los gastos correrán a cargo del propietario.
8. Esta garantía no puede transferirse a terceros.
9. La cama elástica está diseñada para un uso personal. No está permitido alquilar o colocar la cama elástica en zonas públicas como escuelas o guarderías. La garantía y cualquier otra responsabilidad expirarán si la cama elástica se alquila o se usa en zonas públicas.

1.0 Introdução

Parabéns por ter adquirido um Trampolim Silhouette da EXIT!

Divirta-se, seja ativo e brinque no exterior...

Isto é o que nos leva a desenvolver brinquedos inovadores e de qualidade para crianças cool. Fazemos todos os possíveis para desenvolver produtos seguros para as crianças. Como os nossos produtos são classificados como brinquedos, estamos em conformidade com os regulamentos de segurança do consumidor mais exigentes. Antes de lançar os nossos produtos no mercado, realizamos testes independentes para certificação. Testamos também de forma contínua as nossas execuções de produção e executamos, periodicamente, testes independentes pela segunda vez como uma verificação adicional. Somente os produtos que atendem aos mais altos padrões da EXIT Toys são marcados e reconhecidos pela marca EXIT. "Queremos agradecer a sua preferência e a sua confiança neste produto. Temos certeza de que os seus filhos se irão divertir tanto como nós durante o desenvolvimento. Tendo a mente aberta, agradecemos verdadeiramente todos os comentários e ideias que nos possam ajudar a melhorar os nossos produtos ou desenvolver novos. Convidamo-lo a enviar as suas ideias para info@exittoys.com"

Por favor, visite www.exittoys.com e descubra mais produtos novos interessantes.

A Equipa EXIT Toys

2.0 Diretrizes para o uso seguro

Utilização do nosso produto conforme as instruções neste manual eliminarão virtualmente todos os perigos. No entanto, lembre-se de que as crianças têm um desejo natural de brincar e isso pode levar a situações perigosas imprevisíveis, pelas quais o fabricante não pode ser responsabilizado. Ensine os seus filhos a utilizar o produto e informe-os dos possíveis perigos.

Antes de montar e usar o produto, leia e observe os avisos principais:



AVISO

Para evitar ferimentos graves:



- Leia e compreenda o manual antes de usar.
 - AVISO: Apenas para uso doméstico e no exterior.
- AVISO: RISCO DE ASFIXIA! - Partes pequenas.
Não adequado a Crianças com menos de 3 anos.
- Proteja as crianças
 - Previna quedas e estrangulamento - Saia apenas pela porta, e tenha cuidado.
 - Ajude as crianças a entrar e sair da rede de Segurança.
 - ATENÇÃO: Apenas um utilizador de cada vez; perigo de colisão!
 - AVISO: Não faça saltos mortais ou outros saltos difíceis!
 - ATENÇÃO: Esvazie os bolsos antes de usar o trampolim!
 - É necessária a supervisão contínua de um adulto.
 - Não use o trampolim quando estiver molhado.
- AVISO. O trampolim deve ser montado por um adulto de acordo com as instruções de montagem e, posteriormente, examinado antes da primeira utilização.
- Em caso de peças em falta ou partidas, entre em contacto com o local onde efetuou a compra para obter assistência.
- AVISO: Não coma enquanto salta.
 - Não somos responsáveis por quaisquer ferimentos que possam ocorrer durante o uso do trampolim.
- As modificações feitas pelo consumidor no trampolim original (por exemplo, a adição de um acessório) deve ser realizada de acordo com as instruções do fabricante.
- O trampolim não deve ser enterrado no solo.
- Máx. Peso do utilizador: 130kg

2.1 Avisos para uma utilização em segurança:

- ANTES DE COMEÇAR A USAR O SEU TRAMPOLIM: Leia e entenda as informações fornecidas neste manual. Como em todos os desportos e atividades físicas, existe o risco dos participantes sofrerem lesões. Para garantir o seu divertimento futuro e a prevenção de lesões, certifique-se de que segue as regras e dicas de segurança apropriadas.
- Guarde este manual para referência futura; contém informações importantes
- Feche sempre a abertura do trampolim antes de usar.
- CONSULTE SEMPRE UM MÉDICO/TERAPEUTA ANTES DE REALIZAR QUALQUER TIPO DE ATIVIDADE FÍSICA.
- VERIFIQUE SEMPRE O SEU TRAMPOLIM ANTES DA SUA UTILIZAÇÃO, PRESTANDO ATENÇÃO ESPECÍFICA A TODAS AS POSIÇÕES DOS PARAFUSOS, TAPETE DE SALTO E AMORTECEDORES. NÃO USE SE ALGUMAS PEÇAS ESTÃO EM FALTA OU SE PARECEM ESTAR COM DESGASTE E RASGADAS.
- CERTIFIQUE-SE SEMPRE DE QUE O TRAMPOLIM É USADO POR UMA PESSOA DE CADA VEZ. Risco de colisão.
- CERTIFIQUE-SE SEMPRE DE QUE QUANDO O TRAMPOLIM ESTIVER A SER USADO POR QUALQUER PESSOA, INDEPENDENTEMENTE DO SEU NÍVEL TÉCNICO, O FAÇA SOB SUPERVISÃO.
- Pare com o exercício imediatamente se não se sentir bem ou se sentir dores nas articulações e nos músculos. A tontura é um sinal de fadiga e deve parar de saltar e deitar-se no chão se sentir alguma tontura.
- Ao usar este trampolim, certifique-se de que usa roupas adequadas, de preferência roupas desportivas e meias. NUNCA USE SAPATOS NO TAPETE.
- Por favor, saiba que o trampolim é constituído por molas e isso permitirá que o utilizador salte a uma altura maior do que no solo, portanto, tenha isso em mente e certifique-se de que primeiro fica confortável a saltar em alturas menores.
- A montagem, cuidados e manutenção adequada do produto, dicas de segurança, avisos e técnicas adequadas para saltar no seu trampolim estão incluídos neste manual para a sua segurança e uma vida útil prolongada do produto. Todos os utilizadores e supervisores devem, portanto, familiarizar-se com estas instruções. Qualquer pessoa que opte por usar o trampolim deve estar ciente das suas próprias limitações no que diz respeito ao desempenho das suas capacidades técnicas neste trampolim.
- O trampolim deve ser montado em cima da relva ou num tapete de segurança aprovado pela BSI. Não deve ser instalado em cima de betão, asfalto ou qualquer outra superfície dura, nem próximo a outras instalações que possam criar conflito (por exemplo, piscinas infantis, baloiços, escorregas, paredes de escalada)
- Este produto é destinado apenas para uso doméstico.
- Mover o Trampolim. Se o trampolim e a estrutura precisarem de ser movidos, devem ser movidos com a ajuda de duas pessoas, mantidos na horizontal e ligeiramente levantados. Se necessário, o trampolim e a estrutura podem ser desmontados para movimentação. Para desmontar o trampolim, siga as etapas de montagem na ordem inversa.

2.2 Uso do trampolim

INICIALMENTE, deve acostumar-se ao seu trampolim e perceber a quantidade de elasticidade em cada salto. O foco neste ponto deve ser a posição do corpo e a técnica até que cada manobra possa ser completada com facilidade e controlo.



- ANTES DE TENTAR SALTAR MUITO ALTO deve aprender a técnica para parar, pois ajudá-lo-á a prevenir lesões, caso sinta que está a saltar fora do controlo.
- Quando o utilizador pousa no tapete, os joelhos devem ser dobrados para que parem e absorvam a mola do tapete. Pode ver a posição na imagem à esquerda. Os braços ficam estendidos para fora para aumentar o nível de equilíbrio.
- Esta técnica é usada quando o utilizador do trampolim deseja parar de saltar no mesmo devido à fadiga, perda de controlo, etc.



CAMBALHOTAS (SALTOS MORTAIS): NÃO FAÇA saltos mortais de qualquer tipo (para trás ou para frente) neste trampolim. Se cometer um erro ao tentar dar um salto mortal, poderá cair de cabeça ou pescoço. Isto aumentará as suas hipóteses de partir o pescoço ou as costas, o que poderá resultar em morte ou paralisia



OBJETOS ESTRANHOS: NÃO use o trampolim se estiverem animais de estimação, outras pessoas ou quaisquer objetos debaixo do trampolim. Isto aumentará as hipóteses de ocorrência de ferimentos, NÃO segure objetos estranhos nas suas mãos e NÃO coloque nenhum objeto em cima do trampolim durante a utilização. NÃO coloque o trampolim debaixo de objetos pendurados como galhos de árvores, fios, etc., pois isso aumentará as suas hipóteses de sofrer lesões.



MÁ MANUTENÇÃO DO TRAMPOLIM: Um trampolim em más condições aumentará o risco de sofrer lesões. Por favor, inspecione o trampolim antes de cada utilização para ver se há tubos de aço curvados, tapetes rasgados, molas soltas ou partidas e a estabilidade geral do trampolim.



CONDIÇÕES METEOROLÓGICAS: : Aviso. Não use se existirem ventos fortes e prenda o trampolim. Por favor, esteja consciente das condições meteorológicas ao usar o trampolim. Não use o trampolim quando estiver molhado. Se estiver muito vento, o utilizador pode perder o controlo.



RESTRIÇÃO DE ACESSO: Quando o trampolim não estiver a ser utilizado, guarde sempre a escada de acesso num local seguro para que as crianças não possam brincar no trampolim sem supervisão.

2.3 Dicas para reduzir o risco de acidentes



De forma a reduzir o risco de acidentes, o "UTILIZADOR DO TRAMPOLIM" deve:

- Manter sempre o controlo dos seus saltos e da sua posição corporal em todos os momentos.
- Não tente realizar manobras que estão além do seu próprio nível de competência.
- Leia e compreenda o salto ao saltar e aterrar no centro do trampolim.
- Controle sempre o seu salto ao saltar e aterrar no centro do trampolim.
- Aviso. Salte sempre no centro do tapete. Salte sempre verticalmente e evite saltar em direção às molas.
- Consulte sempre um instrutor de trampolim profissional certificado antes de tentar qualquer manobra além das técnicas básicas. De forma a reduzir o risco de acidente, o "SUPERVISOR" deve:
 - Compreender e fazer cumprir todas as regras e diretrizes de segurança.
 - Aconselhar o utilizador do trampolim e providenciar conhecimento sobre o que está a fazer de certo ou errado de forma a garantir a segurança do utilizador do trampolim.
 - Esteja atento e informe o utilizador do trampolim sobre todos os avisos de segurança.
 - Aviso. Não saia do trampolim a saltar.

IMPORTANTE: Se o trampolim não puder estar sob supervisão, deve haver um método para o fechar e evitar que qualquer pessoa use o produto até que haja supervisão.

2.4 Instruções de Segurança do Trampolim

PRECAUÇÕES CONSULTIVAS AO USAR O TRAMPOLIM



- Não use o trampolim se tiver consumido álcool ou substâncias narcóticas
- Deve subir e descer do trampolim de forma controlada e cuidadosa. Nunca salte para cima ou para fora do trampolim e nunca use o trampolim como uma forma de saltar sobre ou para outro objeto.
- Aprenda sempre o salto básico e domine cada tipo de salto antes de tentar saltos mais difíceis. Reveja a secção de manobras básicas para aprender como fazer o básico.
- Para interromper o salto, flexione os joelhos ao cair de pé.
- Esteja sempre no controlo quando estiver a saltar no trampolim. Um salto controlado é quando pousa no mesmo ponto donde saiu. Se a qualquer momento se sentir fora de controlo, pare de saltar imediatamente.
- Não salte ou pule por períodos prolongados ou muito alto para uma série de saltos. Mantenha os olhos no tapete para manter o controlo. Caso contrário, pode perder o equilíbrio.
- Nunca coloque mais de 1 pessoa no trampolim em qualquer momento. Risco de colisão.

PRECAUÇÕES CONSULTIVAS ENQUANTO SUPERVISIONA O TRAMPOLIM

IMPORTANTE: Familiarize-se com os saltos básicos e regras de segurança. Para prevenir e reduzir o risco de lesões, certifique-se de que todas as regras de segurança sejam cumpridas e que os novos utilizadores aprendam os saltos básicos antes de tentar técnicas mais avançadas.

- **TODOS OS UTILIZADORES** precisam de ser supervisionados, independentemente do nível de competência ou idade.
- Nunca use o trampolim quando estiver molhado, danificado, sujo ou desgastado. O trampolim deve ser inspecionado antes da sua utilização.
- Mantenha todos os objetos que podem interferir durante a utilização longe do trampolim o tempo todo. Esteja com atenção no que está acima, abaixo e ao redor do trampolim.
- Para evitar o uso não supervisionado e não autorizado, o trampolim deve estar protegido o tempo todo.

2.5 Classificação e identificação de acidentes



MONTAGEM E DESMONTAGEM:

Tenha muito cuidado ao entrar e sair do trampolim. **NÃO** suba para o trampolim agarrando o enchimento da estrutura, pisando as molas ou saltando de um objeto para o tapete do trampolim (por ex. Um deck, telhado ou escada). Isto é considerado altamente perigoso. **NÃO** saia do trampolim ao saltar do mesmo e aterrar no chão. Se crianças pequenas estiverem a brincar no trampolim, podem precisar de ajuda para subir e descer.



ÁLCOOL OU DROGAS: NÃO

Consuma álcool ou drogas (isto inclui medicamentos que podem afetar a coordenação do utilizador) ao usar este trampolim. Isto é considerado altamente perigoso, pois essas substâncias estranhas prejudicam os seus julgamentos, o tempo de reação e a coordenação física geral.



VÁRIOS UTILIZADORES: Apenas um utilizador de cada vez; perigo de colisão!



BATER NA ESTRUTURA DA MOLLA:

Ao brincar no trampolim, **PERMANEÇA** no centro do tapete do trampolim. Isto reduzirá o risco de ferimentos ao pousar na estrutura da mola. Mantenha sempre os enchimentos da estrutura a cobrir a estrutura do trampolim. **NÃO** salte ou pise nos enchimentos da estrutura diretamente, pois não se destinam a suportar o peso de uma pessoa.



PERDA DE CONTROLO:

NÃO tente manobras difíceis até que tenha dominado o básico. Se não seguir estas diretrizes, aumenta o risco de alguém se lesionar.

AVISO: Faça uma pausa a cada 10 minutos.

3.0 Técnicas de Trampolim

Manobras Básicas

MANOBRA BÁSICA 1: O salto básico



- Comece numa posição vertical, com os pés afastados na largura dos ombros, a cabeça para cima e os olhos no trampolim.
- Balance os braços para a frente e para cima, acima da cabeça num movimento circular.
- Junte as pernas e os pés na posição suspensa e coloque-se em bicos de pés.
- Pouse de costas no tapete com os pés afastados na largura dos ombros (igual à posição inicial).
- Porque não tentar passar para a próxima manobra quando se sentir confortável e proficiente?

MANOBRA BÁSICA 2: Cair de Joelhos

- Comece com um salto básico baixo (conforme detalhado na MANOBRA BÁSICA 1).
- Pouse com os joelhos afastados na largura dos ombros, mantendo as costas retas e uma posição corporal forte, usando os braços ao lado ou para a frente para manter o equilíbrio.
- Retorne à posição de salto básica usando o impulso de salto e balançando os braços acima da cabeça.
- Depois de dominar essa altura, tente saltar um pouco mais alto, mas lembre-se sempre de controlar a sua altura.



HABILIDADE BÁSICA 3: Cair Sentado



- Comece com um salto básico baixo (MANOBRA BÁSICA 1) na posição normal.
- Aterre com as pernas esticadas à sua frente, com as mãos de cada lado das suas ancas e as costas retas numa posição corporal forte.
- Use o impulso de salto auxiliado por um empurrão com as mãos para voltar à posição vertical.
- Depois de dominar essa altura, tente saltar um pouco mais alto, mas lembre-se sempre de controlar a sua altura.

IMPORTANTE: Consulte um instrutor de trampolim treinado antes de tentar qualquer manobra mais avançada para garantir que são mantidos os mais altos níveis de segurança.

Manobras Avançadas

MANOBRA AVANÇADA 1: O salto básico



- Comece com um salto básico baixo (MANOBRA BÁSICA 1) na posição normal.
- Aterre sobre as mãos e joelhos ao mesmo tempo, certifique-se de que as costas estão na horizontal em relação ao tapete de salto e que as mãos e pernas também estão na largura dos ombros.
- Use o impulso de salto e empurre as mãos para recuperar a posição vertical.
- Depois de dominar essa altura, tente saltar um pouco mais alto, mas lembre-se sempre de controlar a sua altura.
- Tente passar para a próxima manobra assim que

MANOBRA AVANÇADA 2: Mãos e Joelhos para Frente

- Aterre sobre as mãos e joelhos ao mesmo tempo, certifique-se de que as costas estão na horizontal em relação ao tapete de salto e que as mãos e pernas também estão na largura dos ombros.
- Mantenha uma posição de corpo forte com as costas horizontais em relação ao tapete e estique as pernas para trás e cruze os braços à frente do rosto no ar, pronto para pousar no tapete na posição deitada.
- Certifique-se de que aterriza com o corpo todo a tocar no tapete ao mesmo tempo.
- Empurre as mãos e recupere a posição vertical.
- Depois de dominar essa altura, tente saltar um pouco mais alto, mas lembre-se sempre de con-



MANOBRA AVANÇADA 3: A Queda Frontal



- Comece com um salto básico baixo (MANOBRA BÁSICA 1) na posição normal.
- Mantenha uma posição de corpo forte com as costas horizontais em relação ao tapete e estique as pernas para trás e cruze os braços à frente do rosto no ar, pronto para pousar no tapete na posição deitada.
- Certifique-se de que aterriza com o corpo todo a tocar no tapete ao mesmo tempo.
- Empurre as mãos e recupere a posição vertical.
- Depois de dominar essa altura, tente saltar um pouco mais alto, mas lembre-se sempre de controlar a sua altura.

IMPORTANTE: Se desejar progredir mais e aprender técnicas mais avançadas para trampolim por favor, consulte um instrutor qualificado e registrado.

4.0 Informações gerais

- As porcas e parafusos de auto-fixação são adequados apenas para uma configuração única e devem ser substituídos após a quebra do trampolim e/ou da rede de segurança.
- A rede de segurança tem uma durabilidade limitada, substitua após 2 anos de uso.
- Recomenda-se colocar os trampolins numa superfície plana e nivelada com pelo menos 3 m de distância doutras super estruturas ou barreiras, por exemplo, cerca, garagem, casa, galhos de árvores, estendais ou cabos elétricos.
- O trampolim não deve ser colocado sobre superfícies duras como asfalto, betão etc.
- Troque as peças defeituosas de acordo com a recomendação do fornecedor.
- As mudanças no trampolim (por exemplo, adição de um acessório) devem ser feitas de acordo com as instruções do fornecedor.

5.0 Montagem do trampolim

CONSTRUÇÃO PASSO A PASSO

Montagem feita apenas por adultos.

Para montar este trampolim, tudo que precisa é da nossa ferramenta especial de montagem incluída neste produto. Durante os períodos de não utilização, este trampolim pode ser facilmente desmontado e armazenado. Leia as instruções de montagem antes de iniciar a montagem do produto. Consulte a tabela para obter as descrições e os números das peças. As instruções de montagem usam estas descrições e números como referência. Certifique-se de que tem todas as peças listadas. Se estiver a faltar alguma peça, entre em contacto com o local de compra.

Por favor, use luvas para proteger as mãos dos pontos de aperto durante a montagem. Quando estiver pronto para começar, certifique-se de que tem bastante espaço e uma área limpa e seca para a montagem.

6.0 CUIDADO E MANUTENÇÃO

Este trampolim foi projetado e fabricado com materiais e mão de obra de qualidade. Se mantiver os cuidados e a manutenção adequada, este trampolim proporcionará a todos os utilizadores anos de exercícios, diversão e prazer, além de reduzir o risco de lesões. Siga as diretrizes listadas abaixo: Este trampolim foi projetado para reter uma certa quantidade de peso e uso. Por favor, certifique-se de que o trampolim é usado por uma pessoa de cada vez. Os utilizadores devem usar meias, sapatos de ginástica ou estar descalços ao usar o trampolim. Por favor note que os sapatos da rua ou os tênis NÃO devem ser usados no trampolim. Para evitar que o tapete do trampolim fique rasgado ou danificado, não permita quaisquer animais de estimação no seu interior. Além disso, os utilizadores devem remover todos os objetos pontiagudos que tenham na sua posse antes de usar o trampolim. Qualquer tipo de objeto afiado ou pontiagudo deve ser mantido fora do tapete do trampolim o tempo todo.

Instruções de manutenção

Certifique-se de que realiza verificações e a manutenção das peças principais (estrutura, sistema de suspensão, tapete e amortecedores) no início de cada temporada e também em intervalos regulares a cada 2 semanas. Se estas verificações não forem efetuadas, o trampolim pode tornar-se perigoso!

- Certifique-se de que os fechos de velcro estão fechados corretamente durante o uso do trampolim!
- É necessário determinar se todas as porcas e parafusos estão apertados e, se necessário, apertá-los;
- Deve ser verificado se todas as conexões com mola (pino de travagem) estão intactas e não se movem durante o jogo;
- Quaisquer parafusos da cobertura e pontas afiadas devem ser verificados e substituídos se necessário;
- O manual de manutenção deve ser mantido.

Inspeccione sempre o trampolim antes de cada uso para ver se há peças gastas, mal tratadas ou em falta. Podem surgir várias condições que podem aumentar as suas hipóteses de se lesionar. Por favor, esteja atento a:

- Furos ou cortes no tapete do trampolim
- Tapete do trampolim descaído
- Costura solta ou qualquer tipo de deterioração do tapete
- Peças da estrutura tortas ou partidas, como as pernas
- Molas partidas, em falta ou danificadas
- Enchimento da estrutura danificado, em falta ou preso de forma insegura
- Saliências de qualquer tipo (especialmente afiadas) na estrutura, molas ou tapet

SE ENCONTRAR QUALQUER UMA DAS CONDIÇÕES ANTERIORES OU QUALQUER OUTRA COISA QUE SENTE QUE POSSA CAUSAR DANOS A QUALQUER UTILIZADOR, O TRAMPOLIM DEVE SER DESMONTADO OU PROTEGIDO PARA USO ATÉ QUE O PROBLEMA TENHA SIDO RESOLVIDO.

CONDIÇÕES DE VENTO Em situações de vento forte, o trampolim pode tombar. Se espera que faça vento, deve mover o trampolim para uma área protegida ou desmontá-lo. A outra opção é prender ao solo, a parte externa (estrutura superior) do trampolim ao solo utilizando cordas e estacas. Para garantir a segurança, devem ser usadas pelo menos três (3) amarrações.

MOVER O TRAMPOLIM Se precisar de mover o trampolim, utilize duas pessoas. Todos os pontos do conector devem ser presos com fita resistente às intempéries, como a fita adesiva. Isto manterá a estrutura intacta durante a movimentação e evitará que os pontos do conector se desloquem e se separem. Ao mover, levante ligeiramente o trampolim do solo e mantenha-o na horizontal. Para qualquer outro tipo de movimento, deve desmontar o trampolim

INVERNO Em alguns países, durante o período de inverno, a carga de neve e as temperaturas muito baixas podem danificar o trampolim. Recomenda-se que remova a neve e armazene o tapete e a estrutura no interior.

7.0 Garantia

1. Após a data registada na fatura, o proprietário do trampolim Silhouette EXIT tem a: - Garantia de 10 anos na quebra da estrutura - Garantia de 5 anos nas molas - Garantia de 2 anos na almofada protetora e no tapete de salto. - Garantia de 2 anos se rasgar a rede.
2. A garantia aplica-se apenas aos defeitos de material e construção relativamente a este produto ou os seus componentes.
3. A garantia perde a validade se: • Este produto for usado de forma incorreta e/ou descuidada ou se for usado com outro propósito que não o indicado. • Este produto não for montado e mantido de acordo com o manual de instruções. • As reparações técnicas neste produto não forem realizadas por profissionais. • As peças que são montadas posteriormente não atenderem às especificações técnicas do produto em questão ou forem montadas incorretamente. • Os defeitos forem resultado de influências climáticas, como corrosão, raios UV ou desintegração normal. • O produto for alugado ou disponibilizado a várias pessoas não especificadas de qualquer outra forma.
4. A EXIT Toys reparará ou substituirá de acordo com a sua escolha todos os defeitos de material e construção verificados pela EXIT Toys durante o período de garantia.
5. O proprietário do Sistema Polestar da EXIT Toys só tem direito à garantia ao apresentar o produto para inspeção num revendedor da EXIT Toys. Deverá ser entregue ao revendedor da EXIT Toys, acompanhado da fatura original.
6. No caso de defeitos no material e construção verificados pela EXIT Toys, o produto ou os seus componentes serão reparados ou substituídos - conforme a sua escolha - gratuitamente durante o período de garantia referido no artigo 1º.
7. Se o pedido de garantia não for justificável, todos os custos ficarão por conta do proprietário.
8. Esta garantia não pode ser transferida a terceiros.
9. O trampolim foi concebido para uso pessoal. Não é permitido alugar ou colocar o trampolim em áreas públicas, como escolas ou centros de dia. A garantia e quaisquer outras responsabilidades expiram se o trampolim for alugado ou utilizado em áreas públicas.

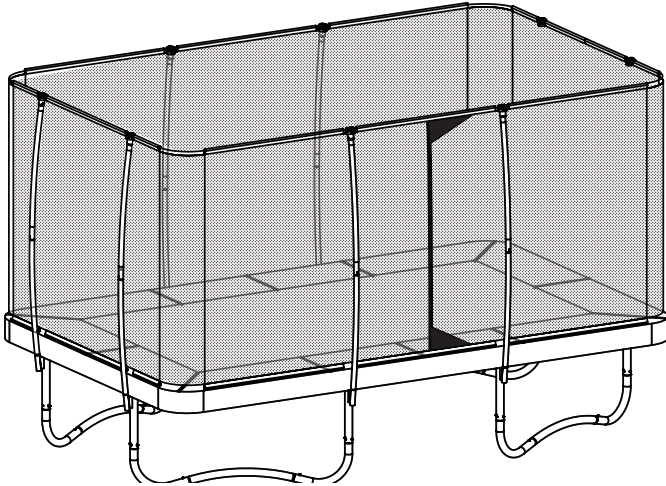
Congratulations! Your trampoline is now fully assembled (put together).

Herzlichen Glückwunsch! Ihr Trampolin ist nun montiert und bereit zum Gebrauch.

Gefeliciteerd! De trampoline is nu volledig gemonteerd (in elkaar gezet).

Félicitations ! Votre trampoline est maintenant entièrement assemblé (remonté).

Tillykke! Din trampolin er nu fuldt monteret (sat sammen).



PEAK PRO

Contact Information:

Dutch Toys Group B.V.
P.O. Box 369, 7000AJ, Doetinchem, The Netherlands
Edisonstraat 83, 7006RB Doetinchem, The Netherlands

+31 314 323 005
info@exittoys.com
www.exittoys.com

EXIT Toys is a registered trade mark of Dutch Toys Group