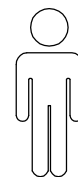
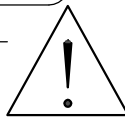
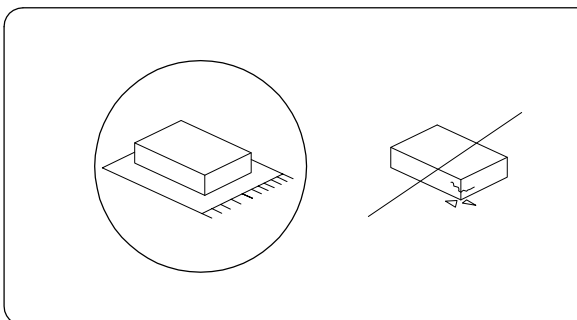
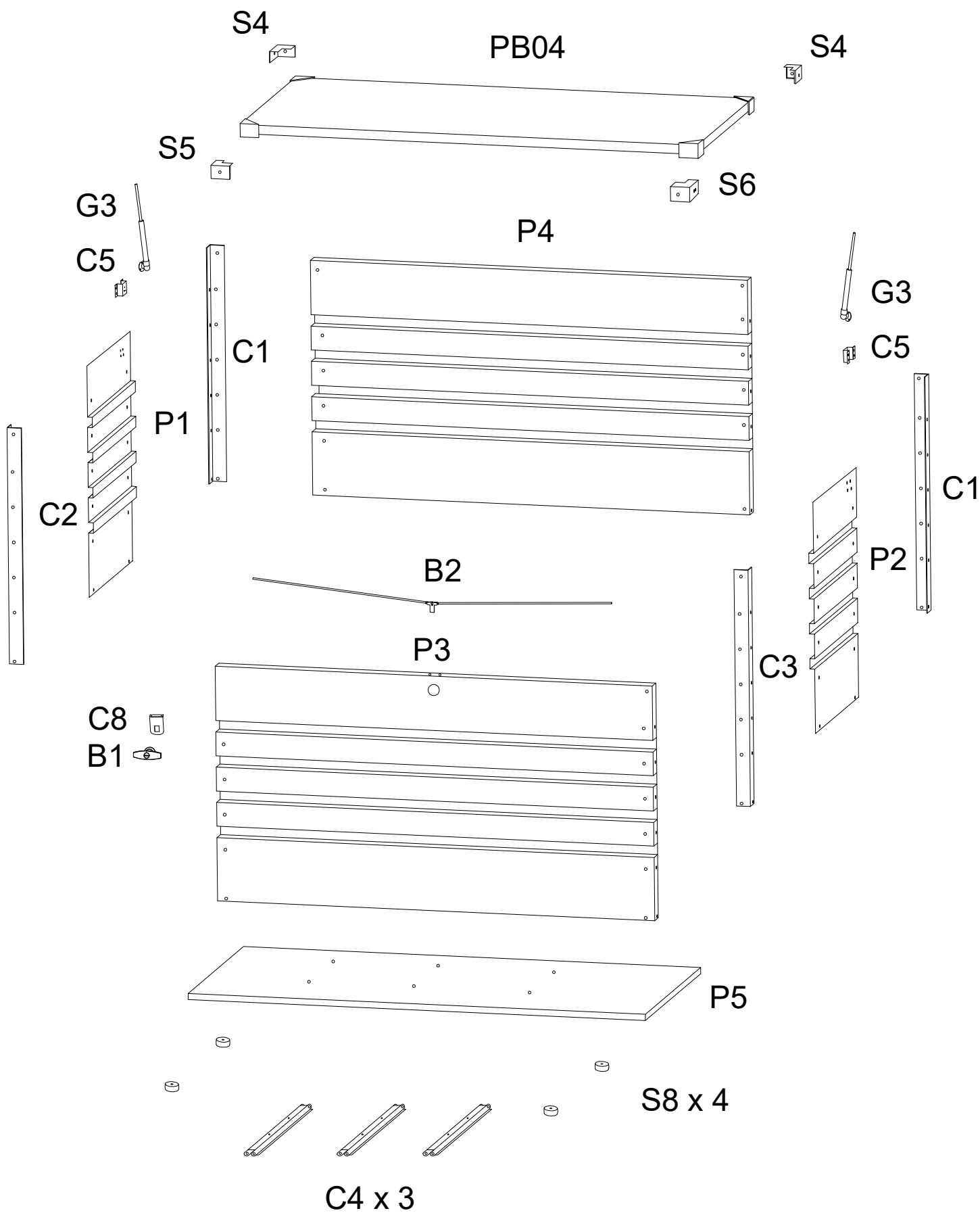
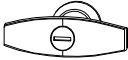




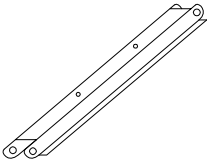
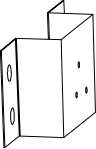
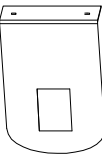
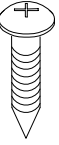

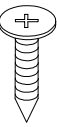


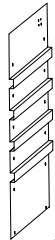
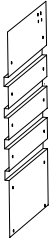
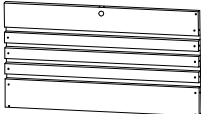


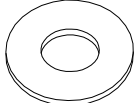
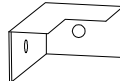
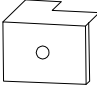
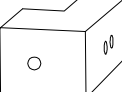
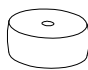


90'

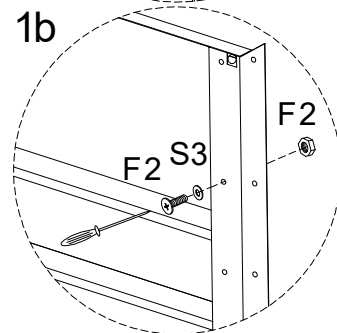
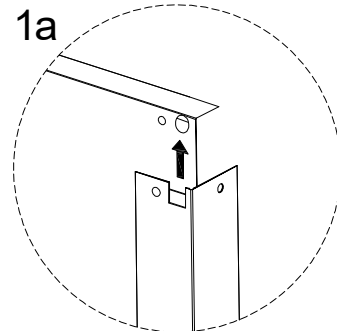
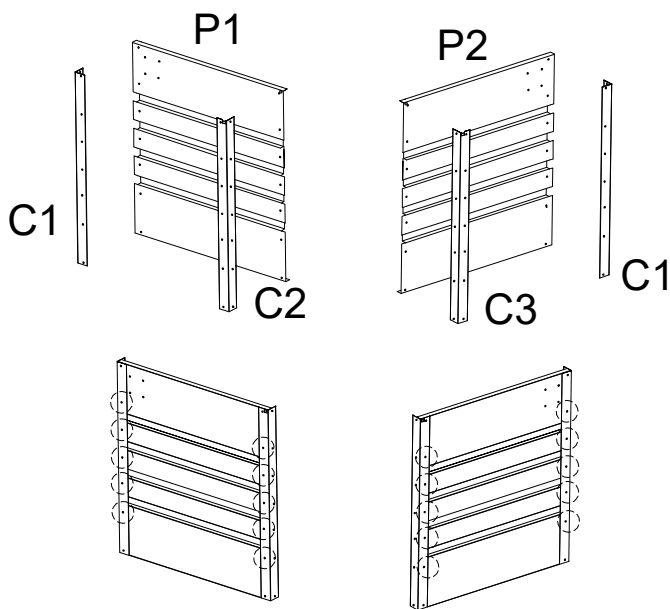
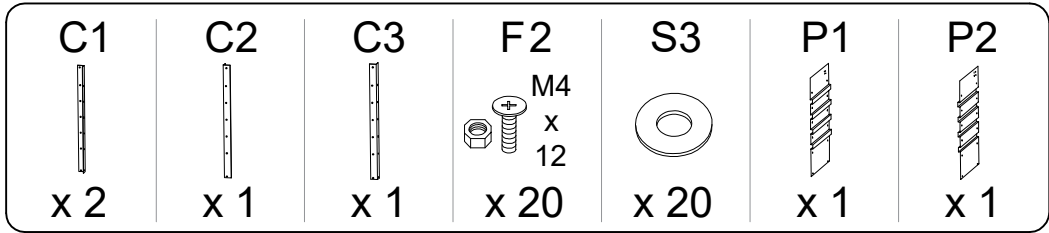


2

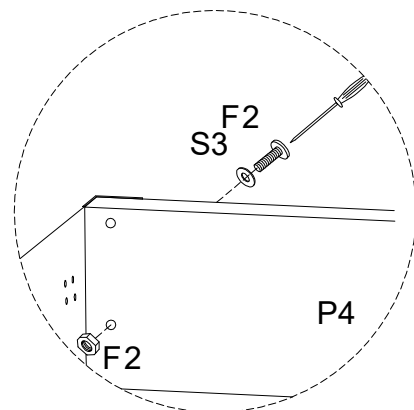
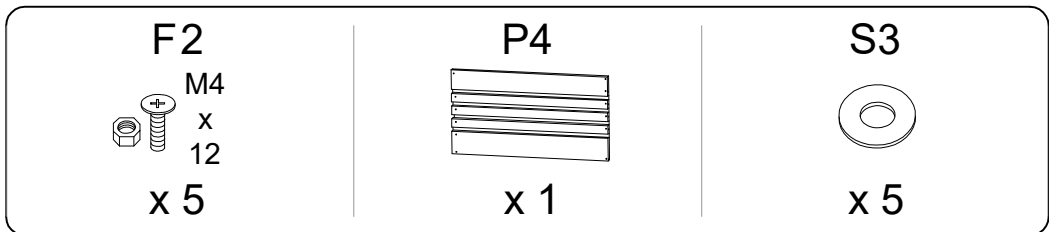


<p>B1</p>  <p>x 1</p>	<p>B2</p>  <p>x 1</p>	<p>C1</p>  <p>x 2</p>	<p>C2</p>  <p>x 1</p>	
<p>C3</p>  <p>x 1</p>	<p>C4</p>  <p>x 3</p>	<p>C5</p>  <p>x 2</p>	<p>C8</p>  <p>x 1</p>	
<p>F1</p>  <p>M4 x 10</p> <p>x 50</p>	<p>F2</p>  <p>M4 x 12</p> <p>x 65</p>	<p>F8</p>  <p>M4 x 15</p> <p>x 6</p>	<p>G3</p>  <p>x 2</p>	<p>PB04</p>  <p>x 1</p>
<p>P1</p>  <p>x 1</p>	<p>P2</p>  <p>x 1</p>	<p>P3</p>  <p>x 1</p>	<p>P4</p>  <p>x 1</p>	<p>P5</p>  <p>x 1</p>
<p>S3</p>  <p>x 84</p>	<p>S4</p>  <p>x 2</p>	<p>S5</p>  <p>x 1</p>	<p>S6</p>  <p>x 1</p>	<p>S8</p>  <p>x 4</p>

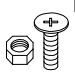

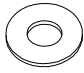
1

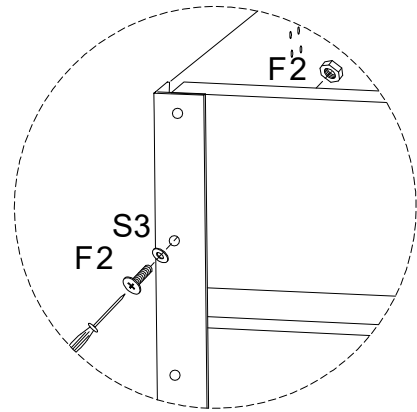
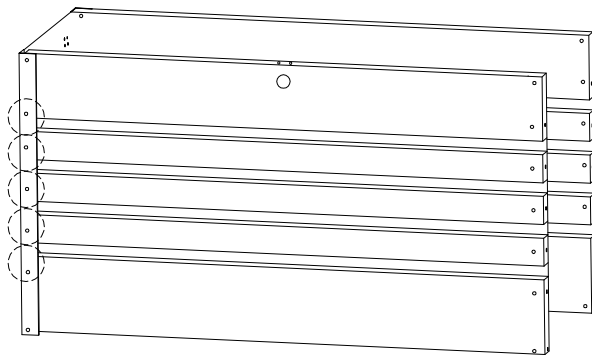


2

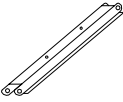


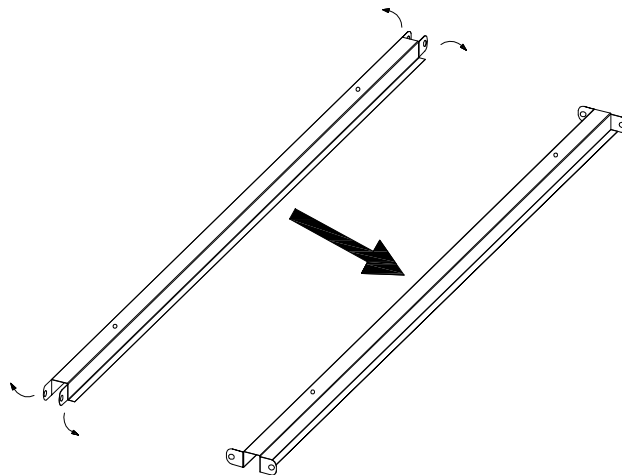
3

<p>F2</p>  <p>M4 x 12 x 5</p>	<p>P3</p>  <p>x 1</p>	<p>S3</p>  <p>x 5</p>
------------------------------------------------------------------------------------------------------------------------	--------------------------------------------------------------------------------------------------------	----------------------------------------------------------------------------------------------------------



4

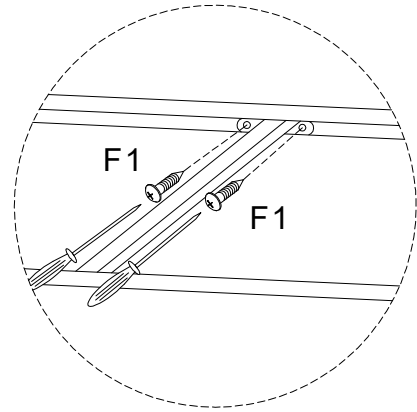
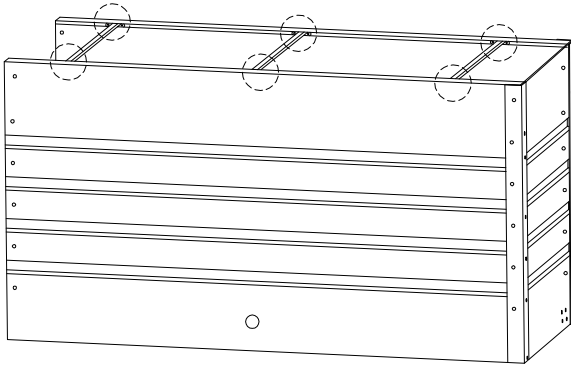
<p>C4</p>  <p>x 3</p>



5

F1

M4
x
10
x 12

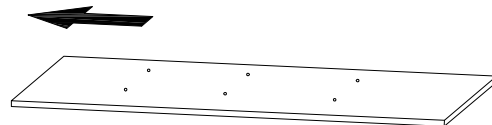
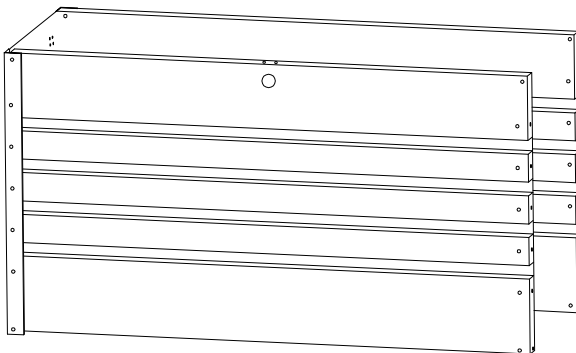


6

P5



x 1



7

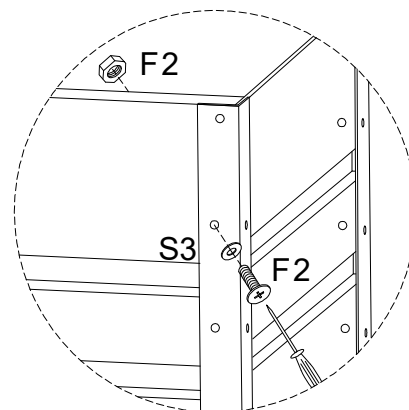
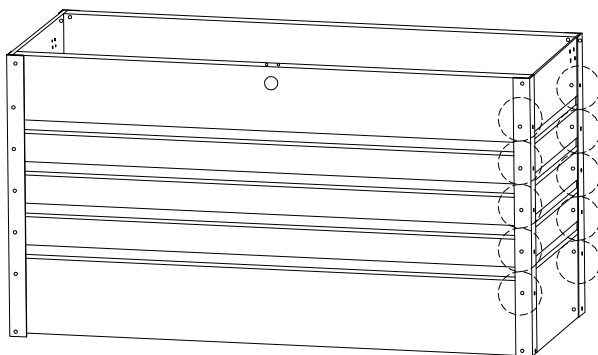
F2

M4
x
12
x 10

S3



x 10



8

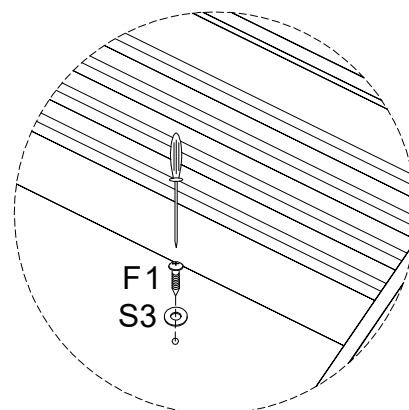
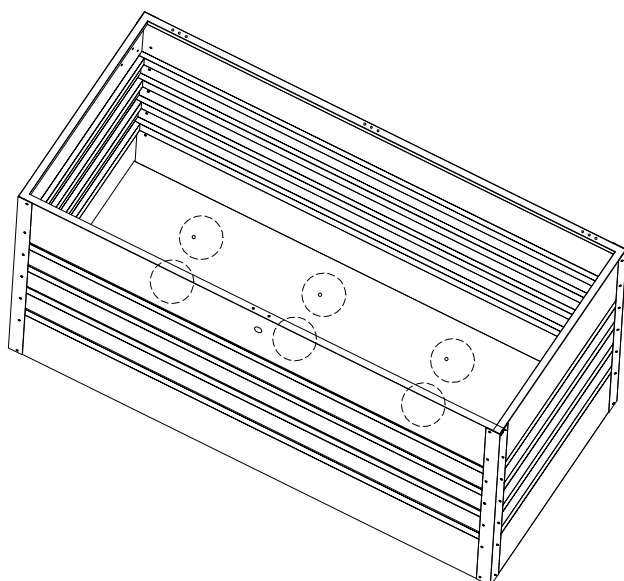
F1

M4
x
10
x 6

S3

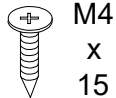


x 6



9

F8

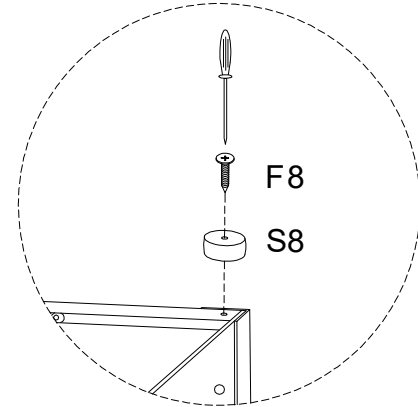
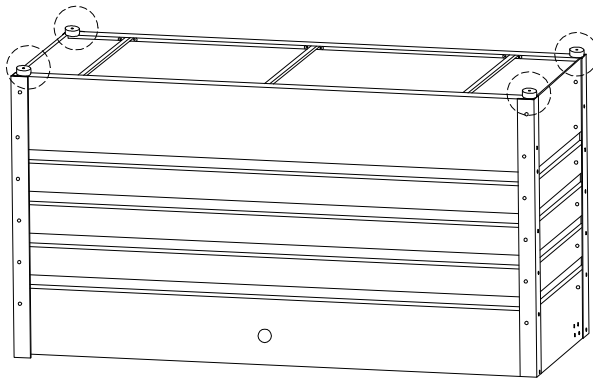


x 4

S8

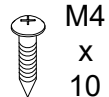


x 4



10

F1

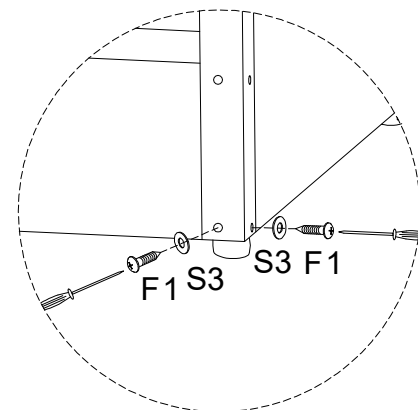
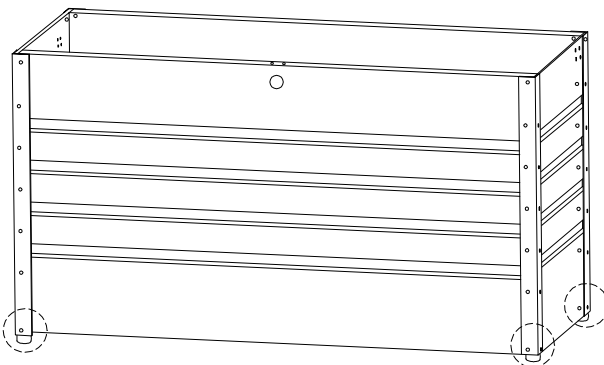


x 8

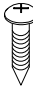

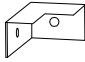
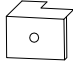
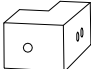
S3

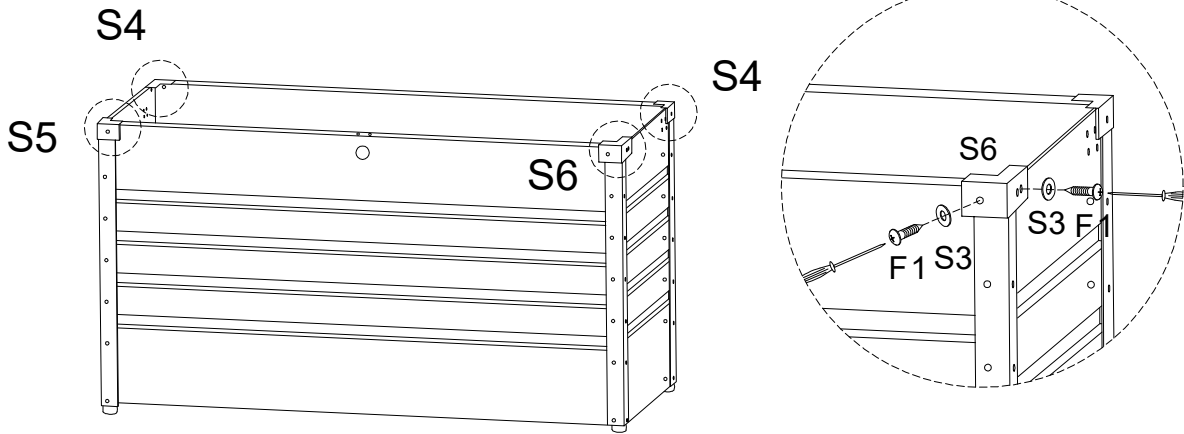


x 8





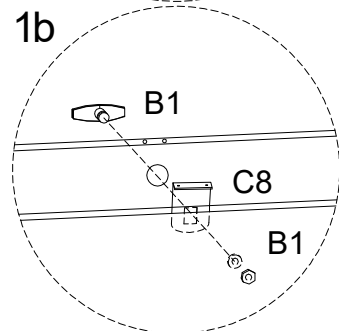
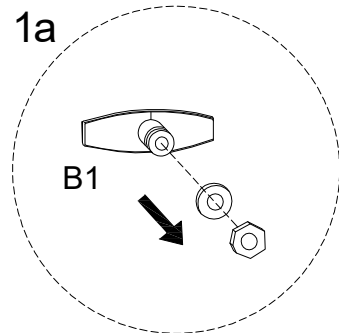
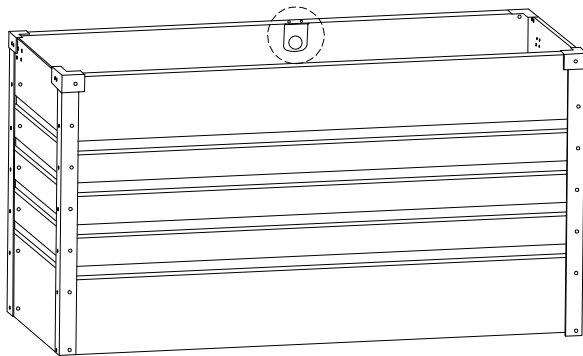
11

F1  M4 x 10 x 8	S3  x 8	S4  x 2	S5  x 1	S6  x 1
--------------------------------------------------------------------------------------------------------------	------------------------------------------------------------------------------------------------	------------------------------------------------------------------------------------------------	--------------------------------------------------------------------------------------------------	--------------------------------------------------------------------------------------------------



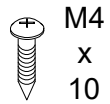
12

B1  x 1	C8  x 1
--------------------------------------------------------------------------------------------------	----------------------------------------------------------------------------------------------------

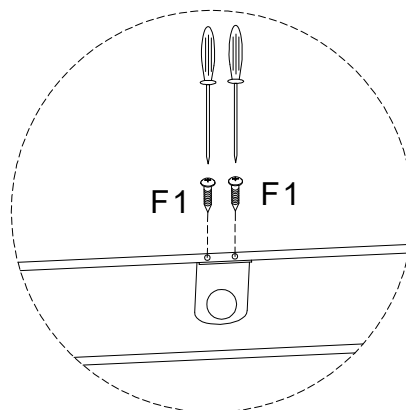
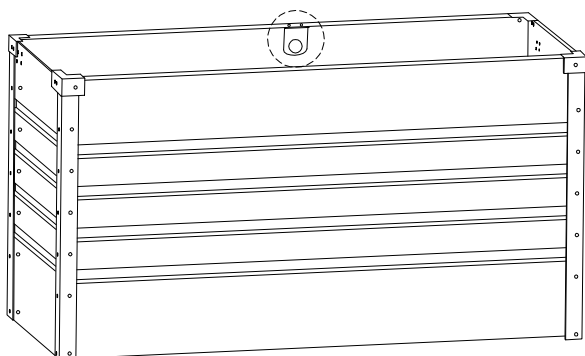


13

F1



x 2

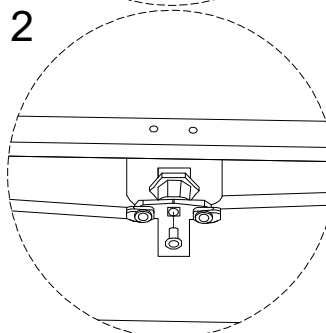
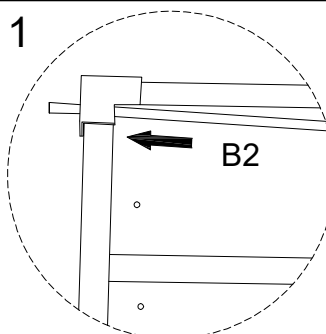
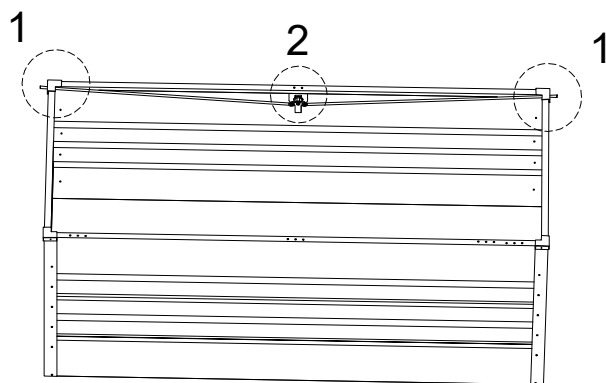


14

B2

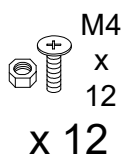


x 1



15

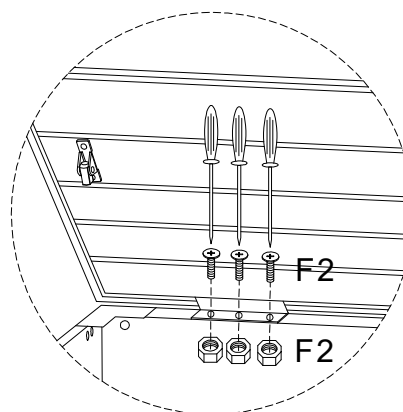
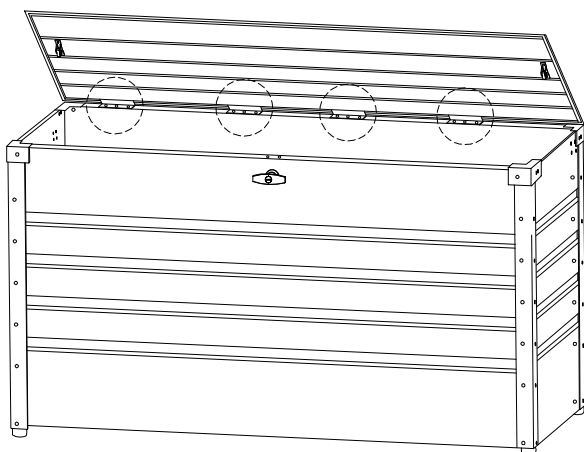
F2



Pb04



x 1



16 x 2

C5



x 1

G3

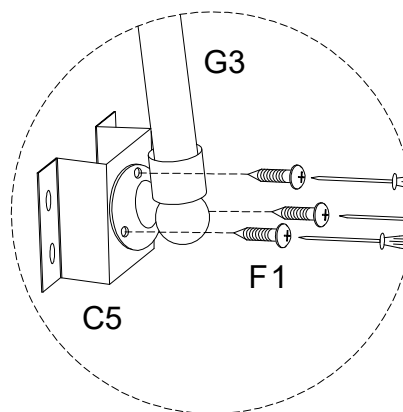
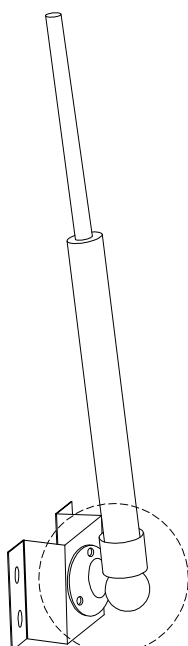


x 1

F1



x 3



17

F2

M4
x
12
x 8

