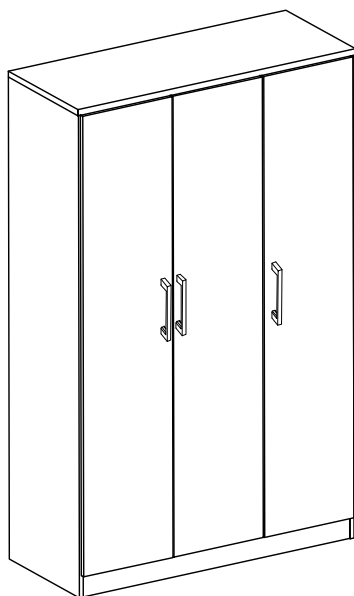


Assembly Instruction

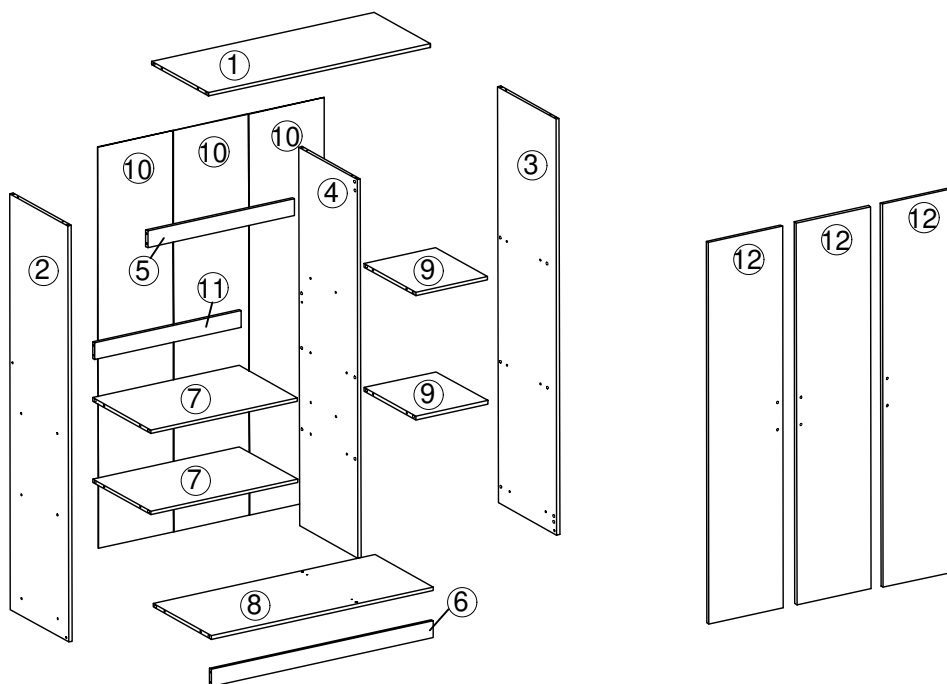
Model : TR - WR3D



Hardware List			
No.	SHAPE	DESCRIPTION	Qty.
A		8x25mm Dowel	39Pcs
B		M3.5x16mm Screw	68Pcs
C		M4x45mm Screw	32Pcs
D		Hinges	9Pcs
E		Leg L	5Pcs
F		Nail	50Pcs
G		V Bracket	2Pcs
H		Handle (128mm)	3Pcs
I		M4x28mm Screw	6Pcs
J		Aluminium Pipe (760mm)	1Pc
K		Stikicr	30Pcs

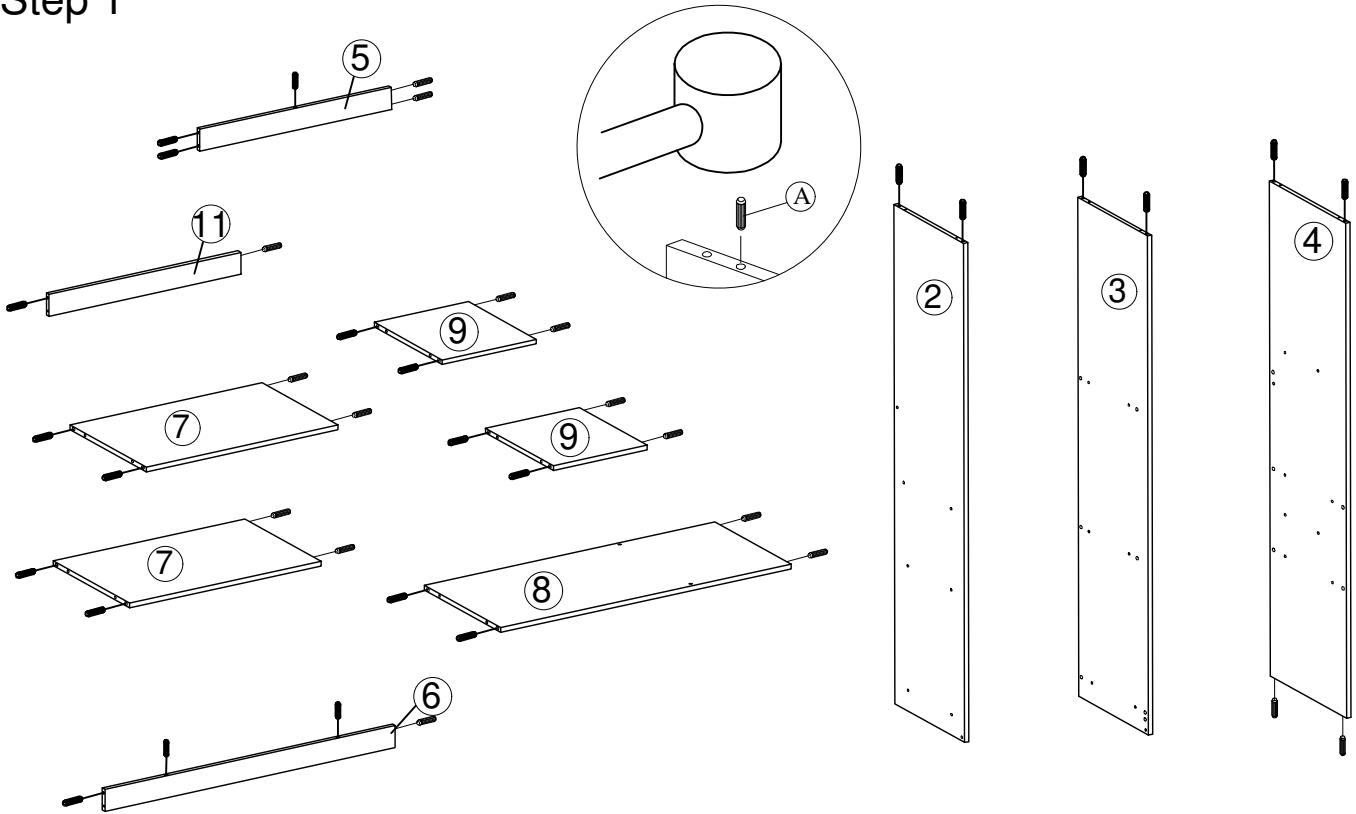
POLDIMAR B.V.B.A
Ooigemstraat 23 - 8780 oostrozebeke Belgium

Part List

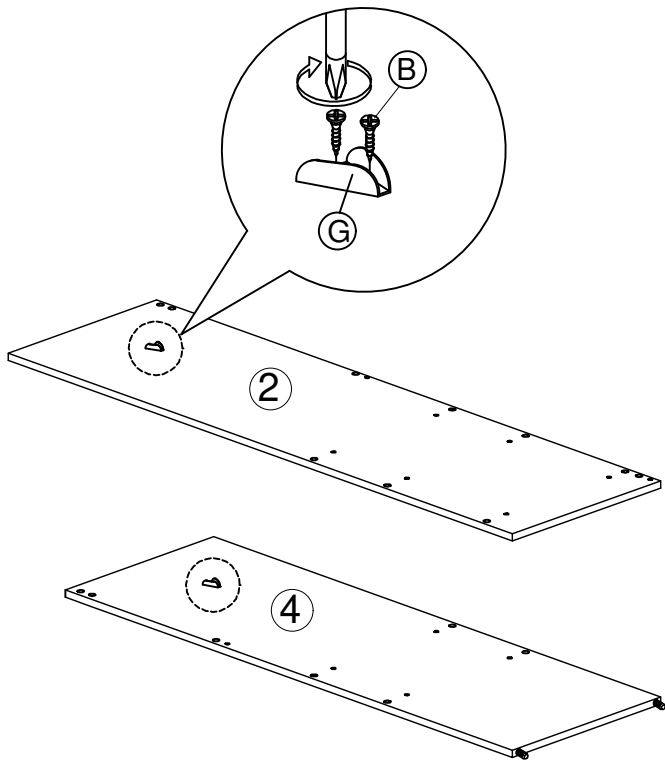


Assembly Instruction

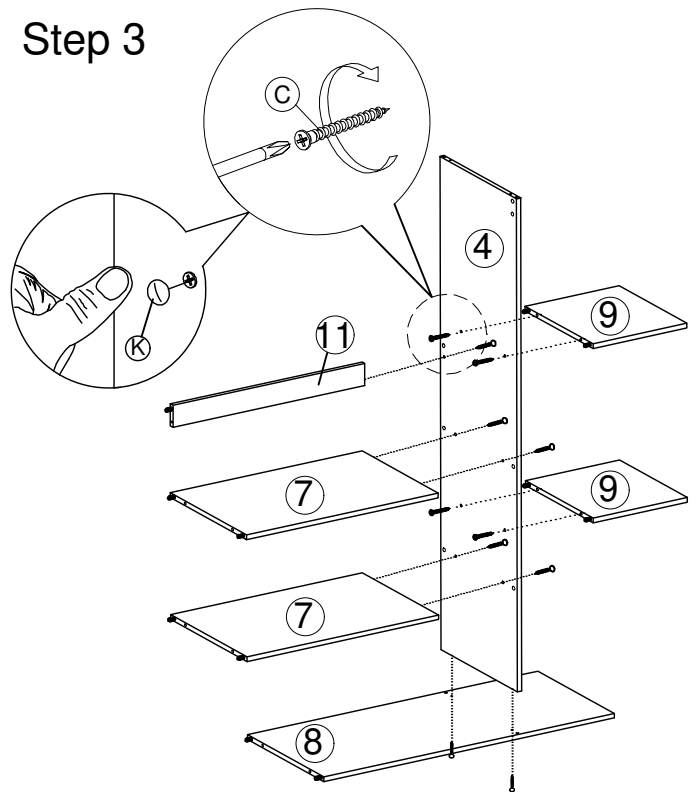
Step 1



Step 2

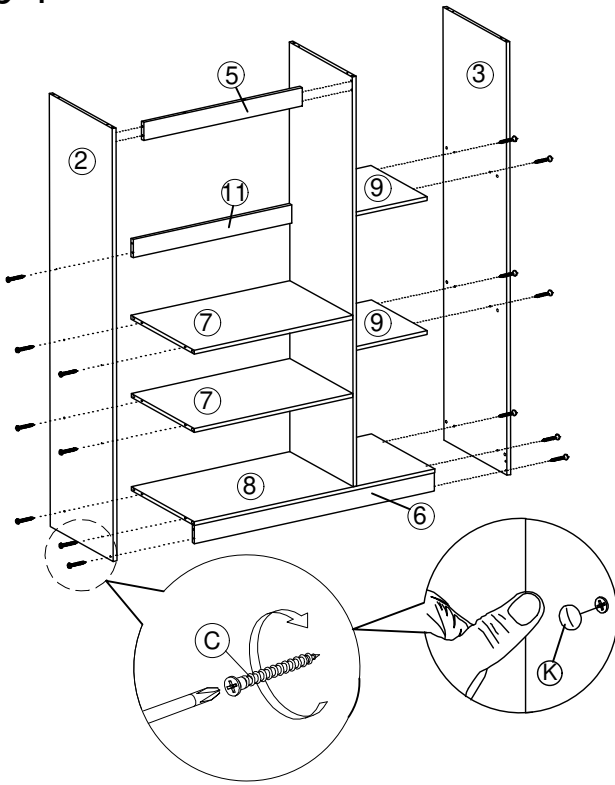


Step 3

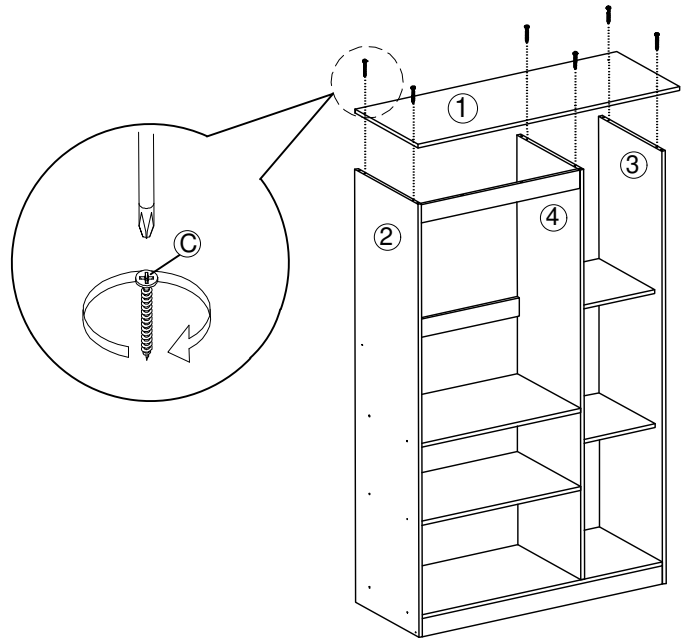


Assembly Instruction

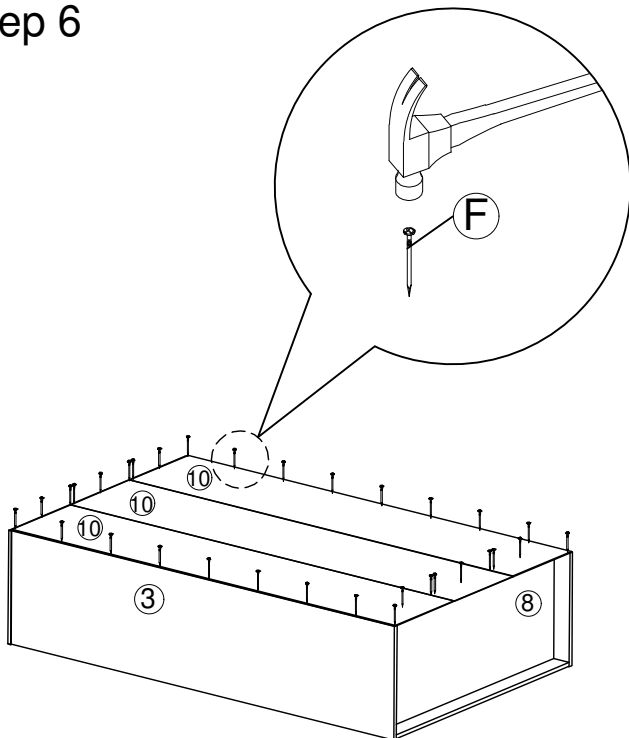
Step 4



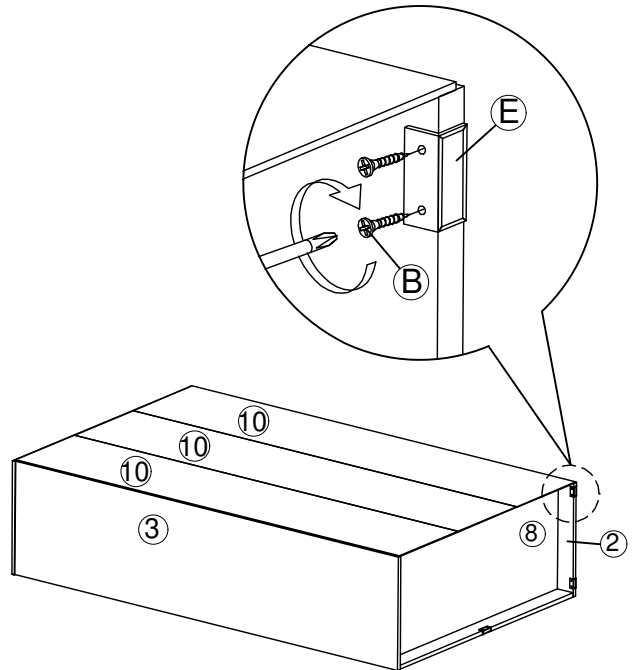
Step 5



Step 6

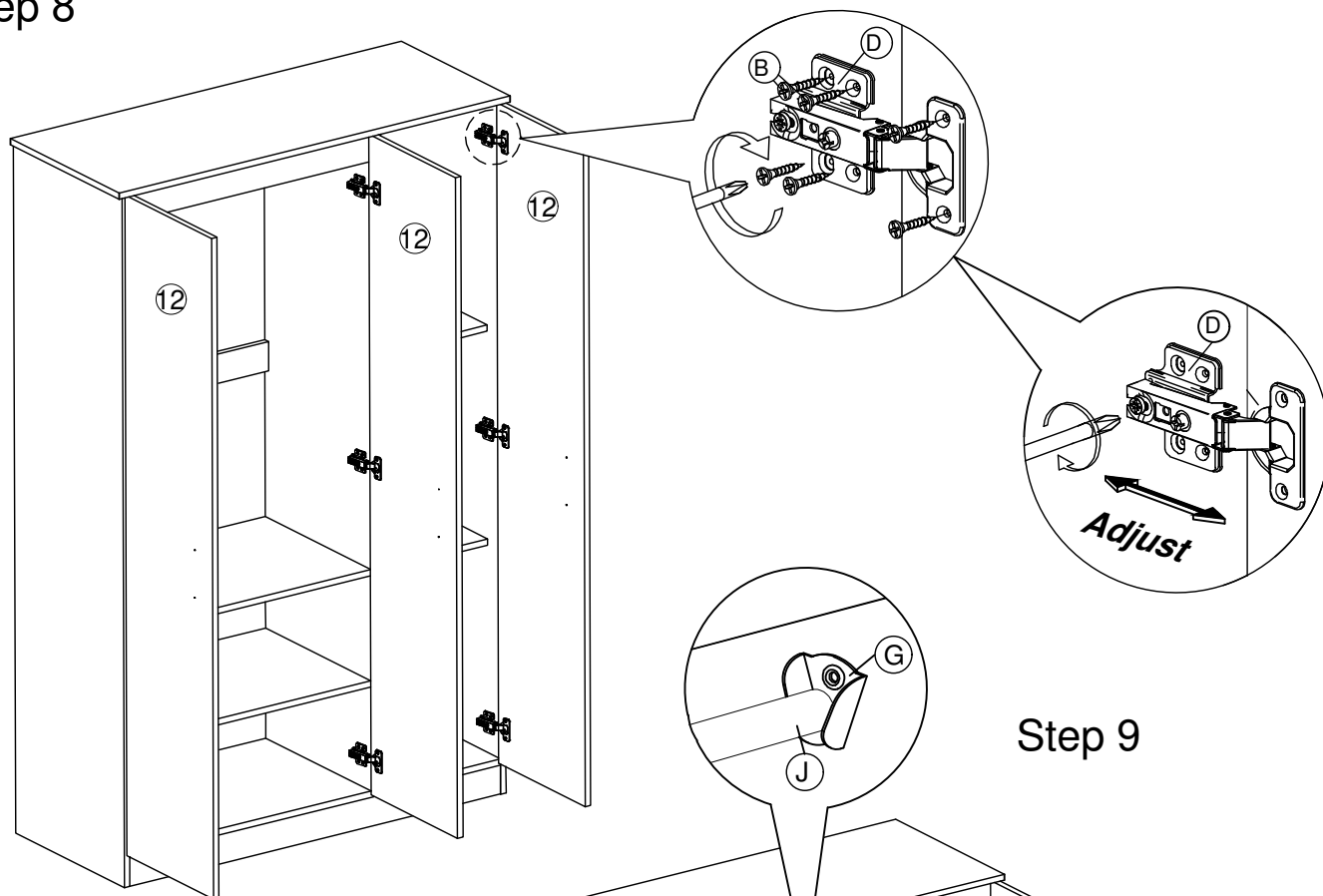


Step 7



Assembly Instruction

Step 8



Step 9

