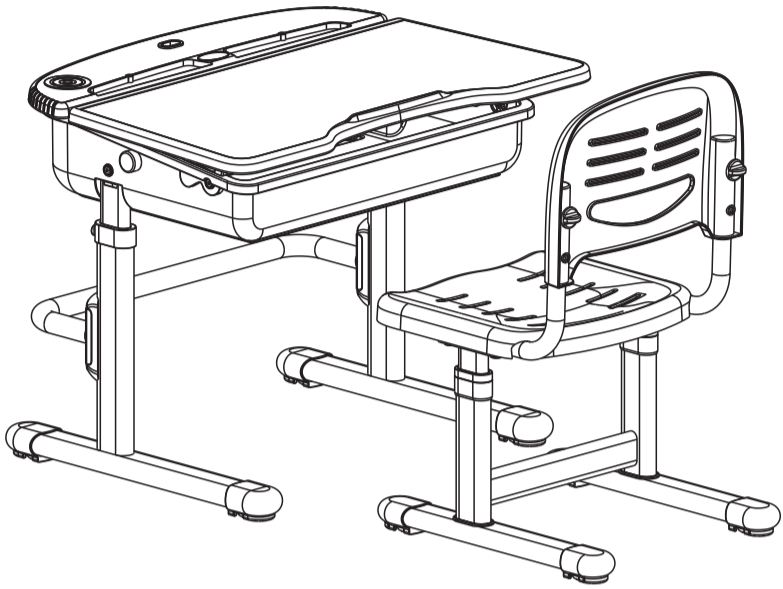


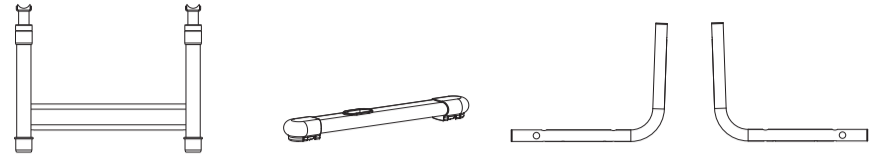


Deken Debostraat 70a B-8791 Beveren-Leie



Healthy Ergo Study Desk & Chair

ASSEMBLY INSTRUCTIONS



B1

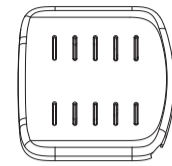
B2x2

B3

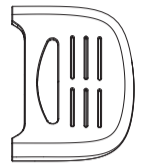
B4



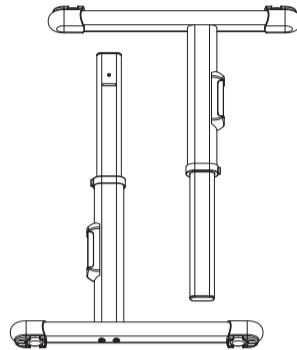
B5



B6



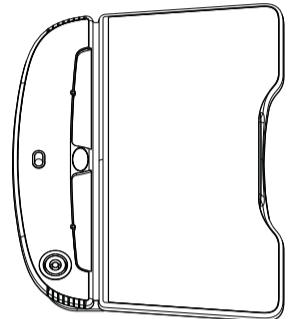
B7



B8



B9



B10



A1x10



A2x6



A3x4



A4x8



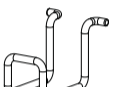
A5x4



A6x2



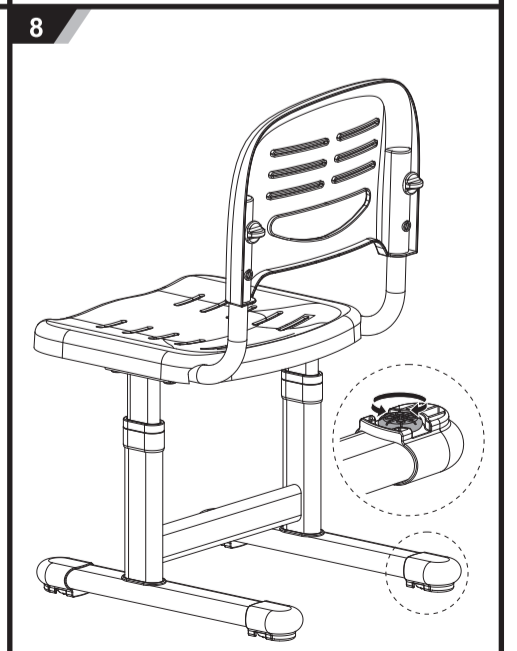
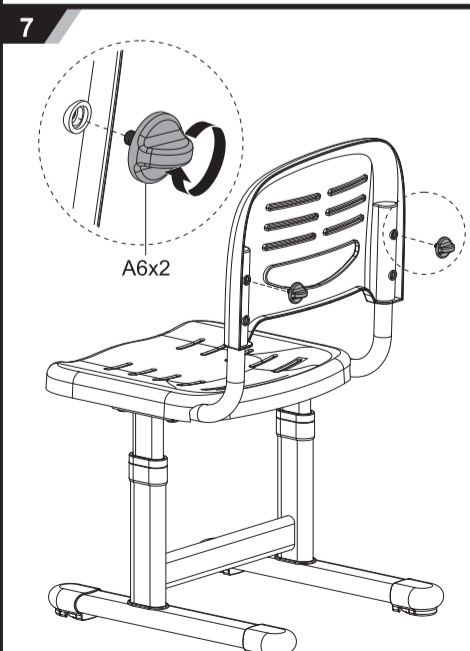
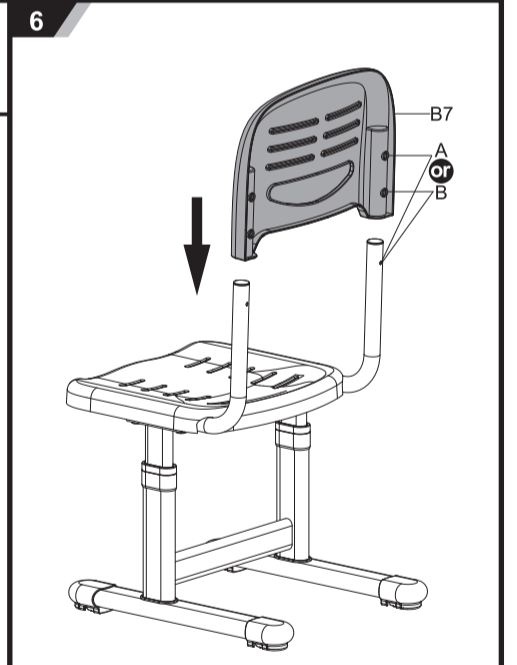
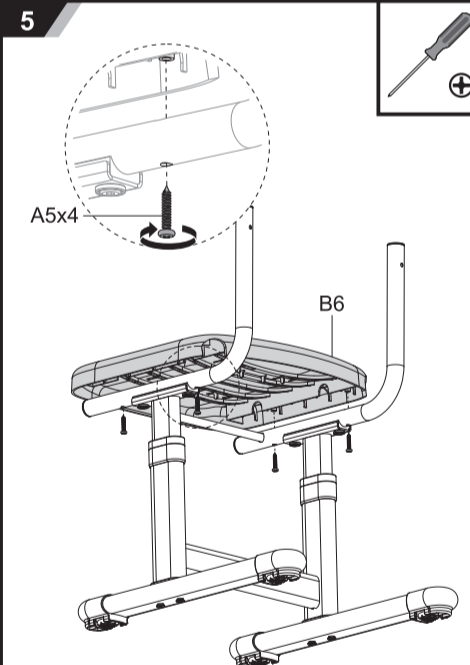
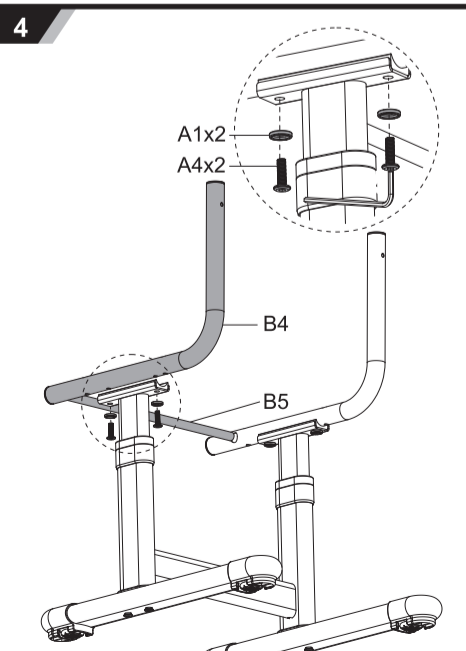
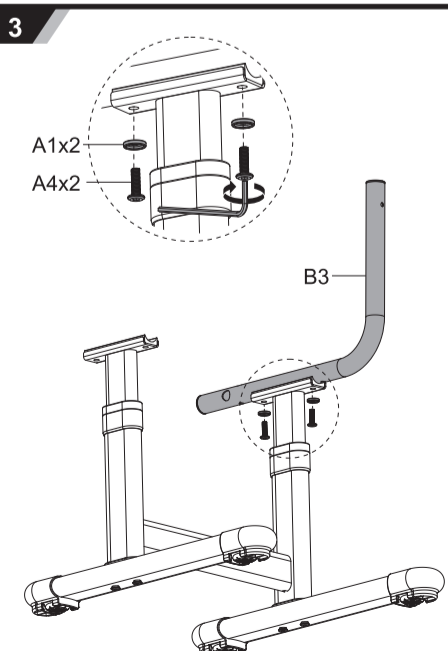
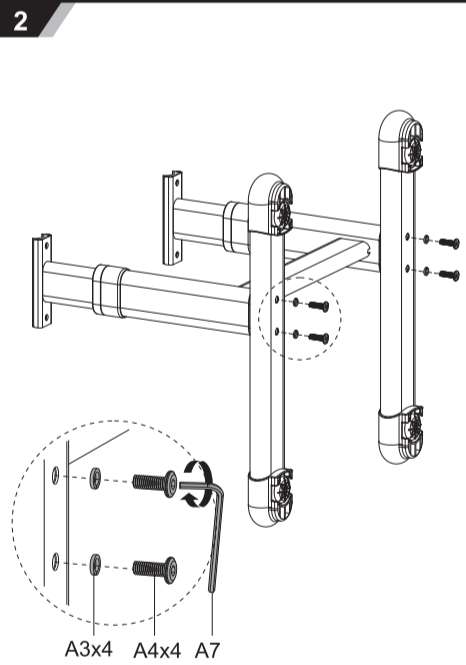
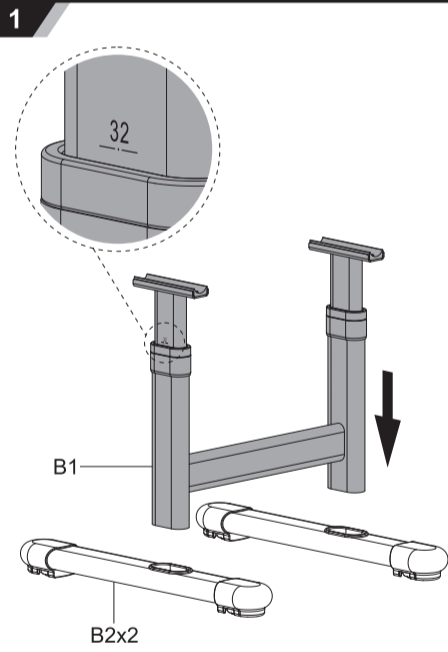
A7x1



A8x1

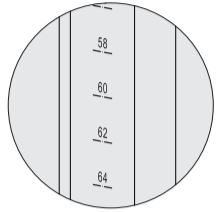
CAUTION!

1. For indoor use only.
2. This product should be placed on a flat surface.
3. Please immediately wipe clean the desktop surface if any liquid is splashed on it.
4. Please check screws regularly to ensure there are no loose parts during daily use.
5. Only tightly fasten all the screws once the desk and chair have been assembled properly.
6. Use a damp cloth to clean the desktop surface.
7. Don't put product in the place where there is corrosive gas and moisture in case of damage.

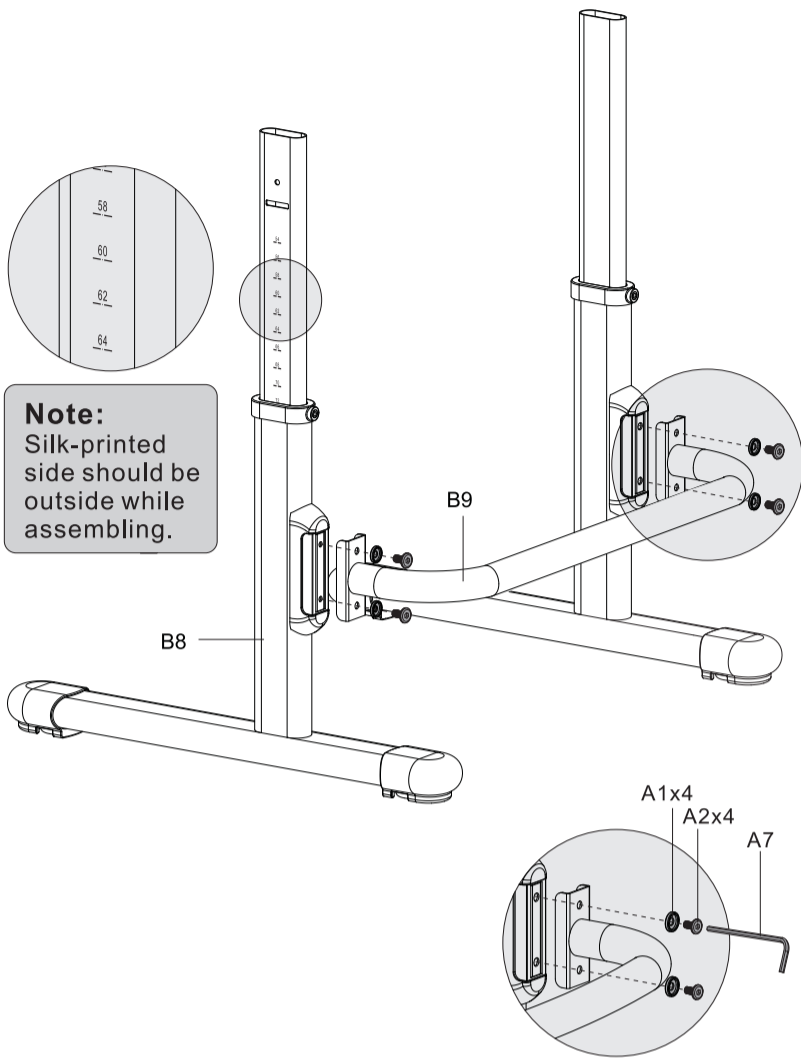


DESK ASSEMBLY INSTRUCTIONS

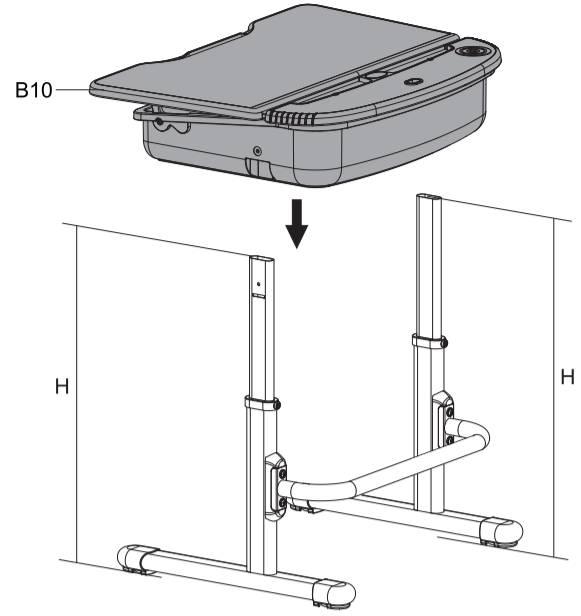
9



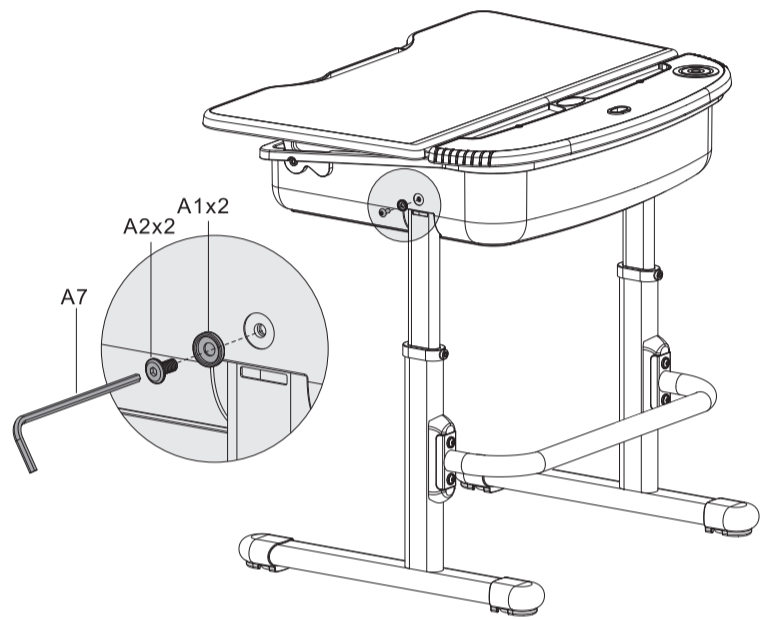
Note:
Silk-printed side should be outside while assembling.



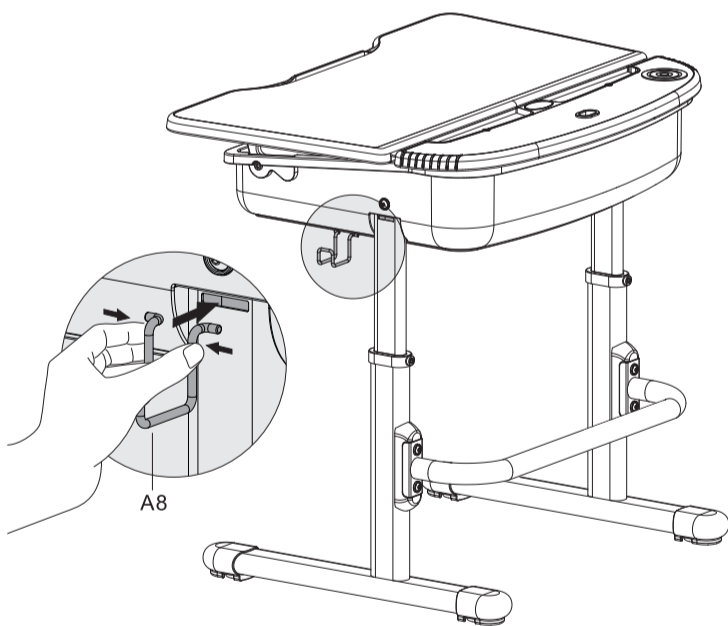
10



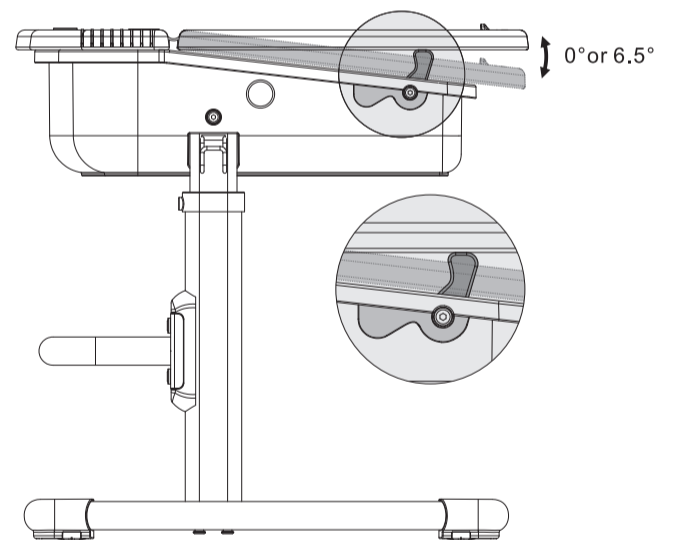
11



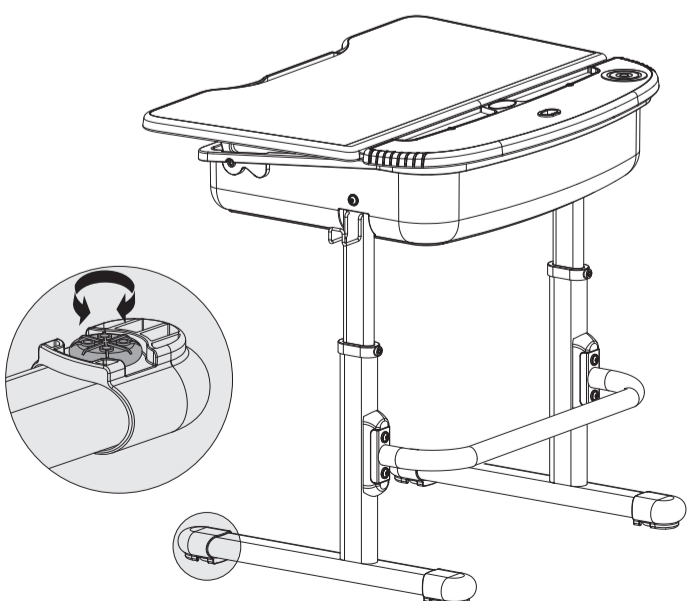
12



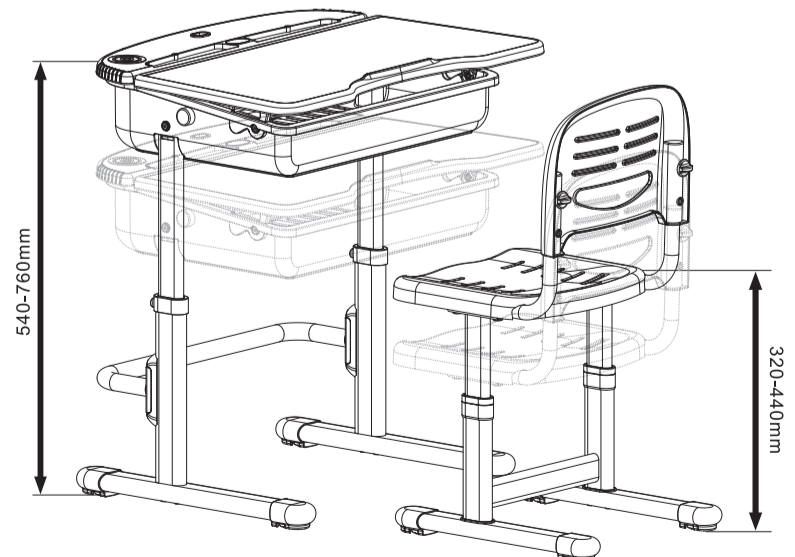
14



13



HEIGHT ADJUSTMENT



How to Lift Up

The desk and chair can be adjusted higher by placing one foot on the support bar and pulling the desk or chair up to the required height.

How to Lower Down

Gently pull up the desk or chair to the maximum height and then slowly lower down to the minimum height. Lift up again to the required height as above.