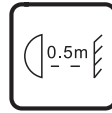
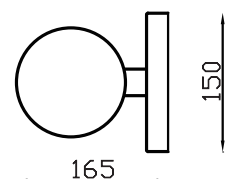
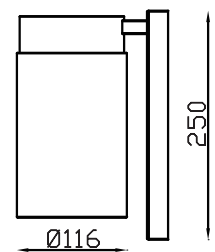
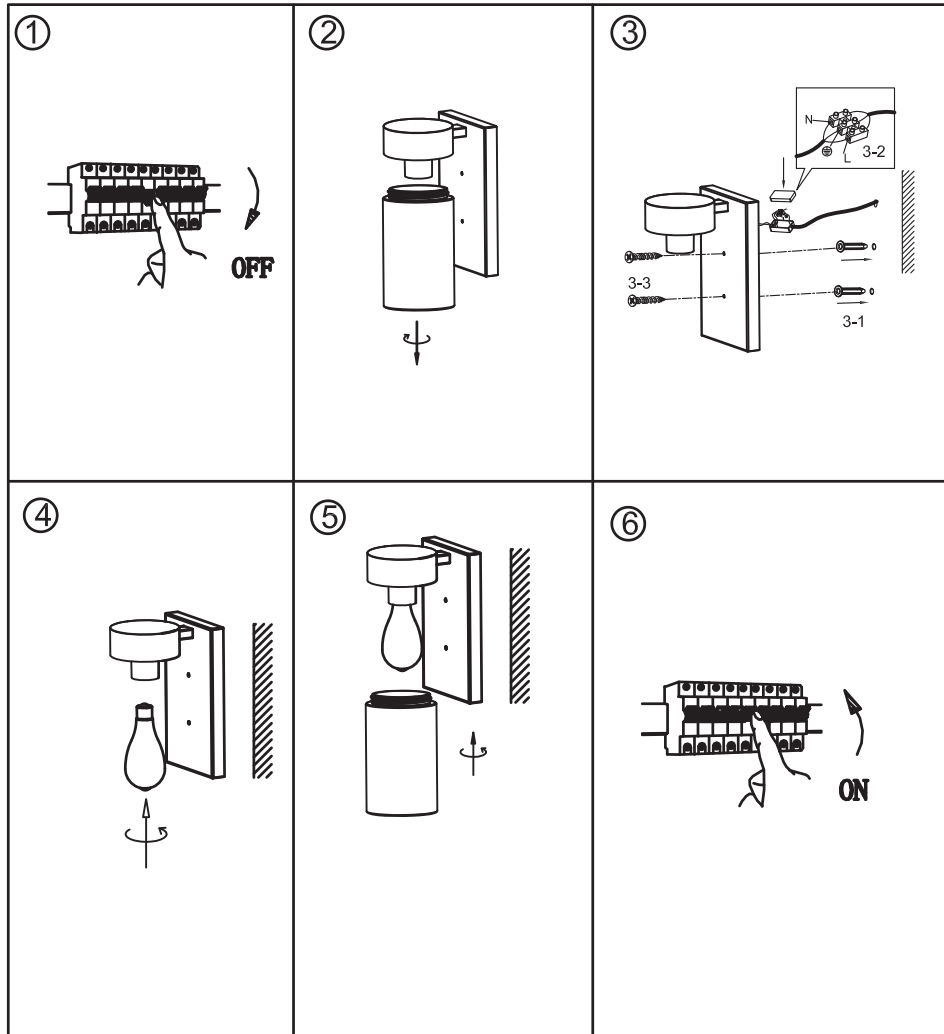


INSTRUCTION MANUAL



Jarra WL Black Square 99117



QAZQA