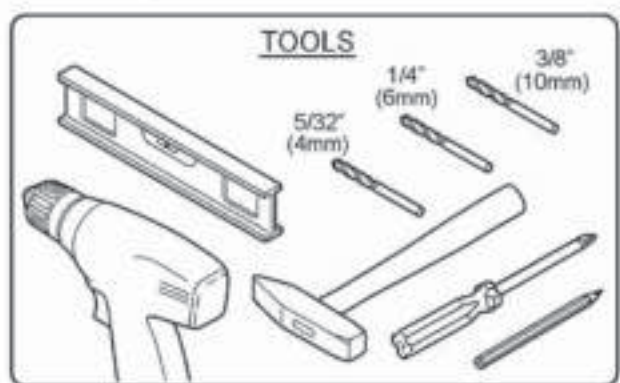
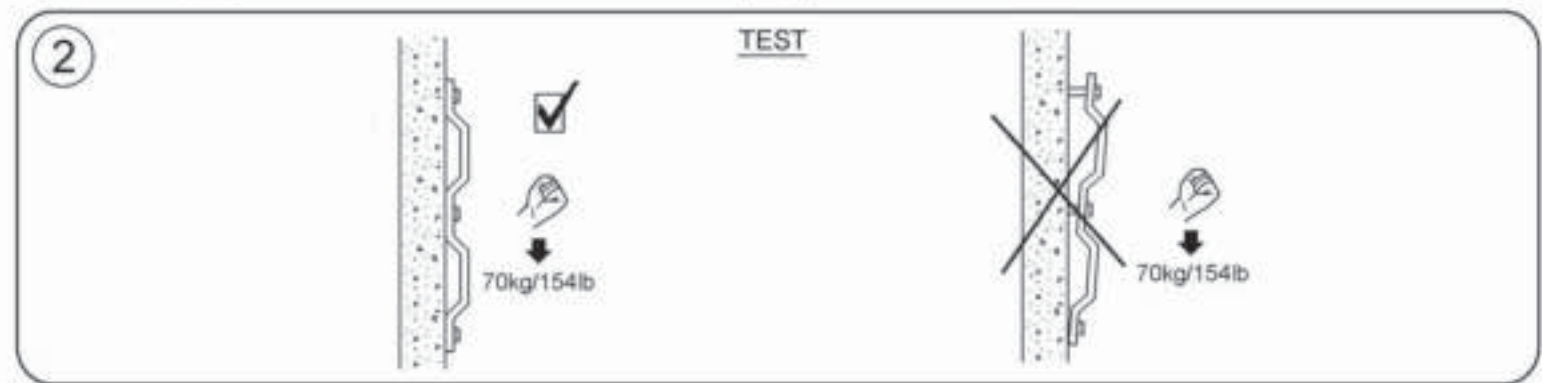
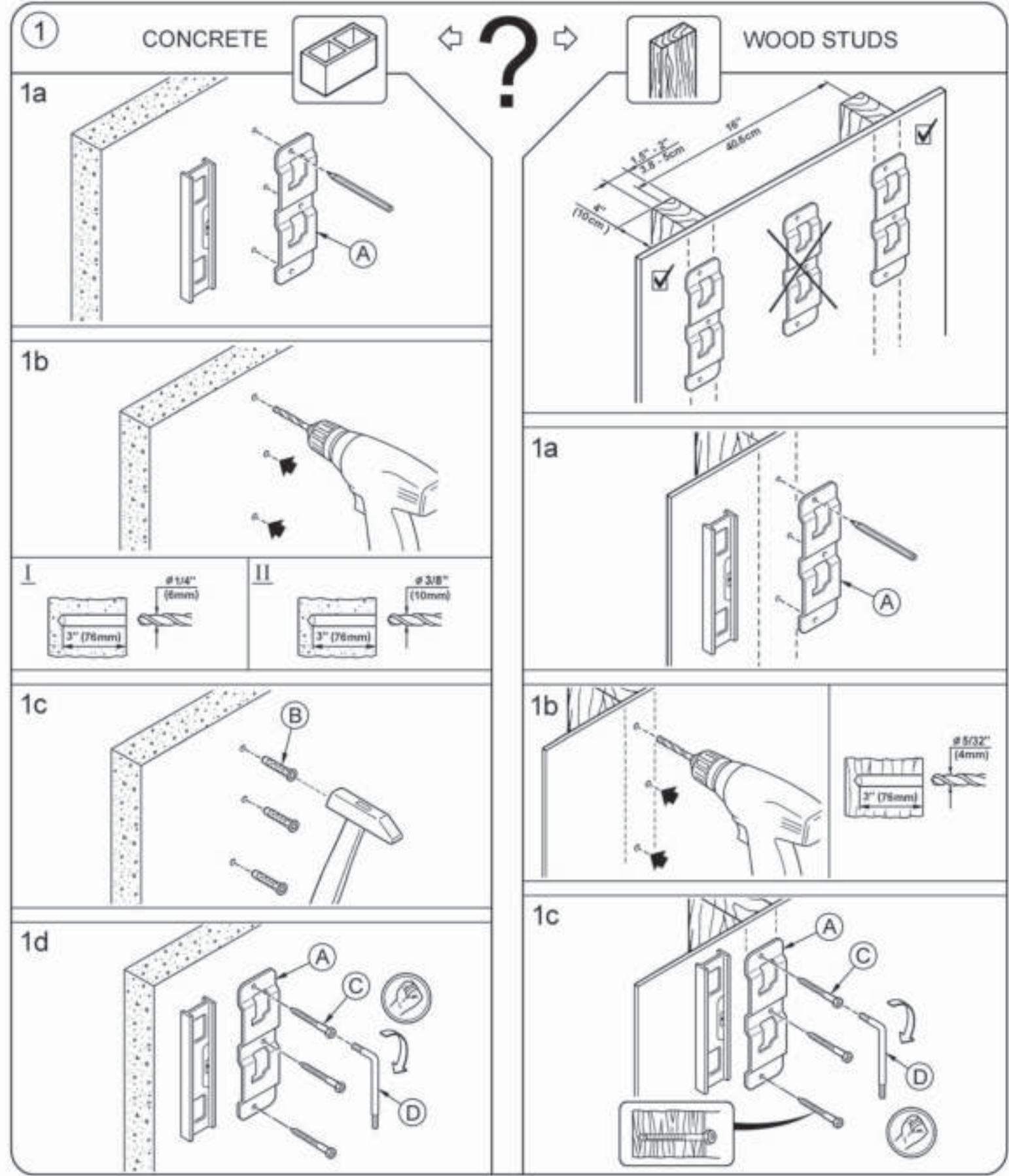


max: 40Kg/88Lb

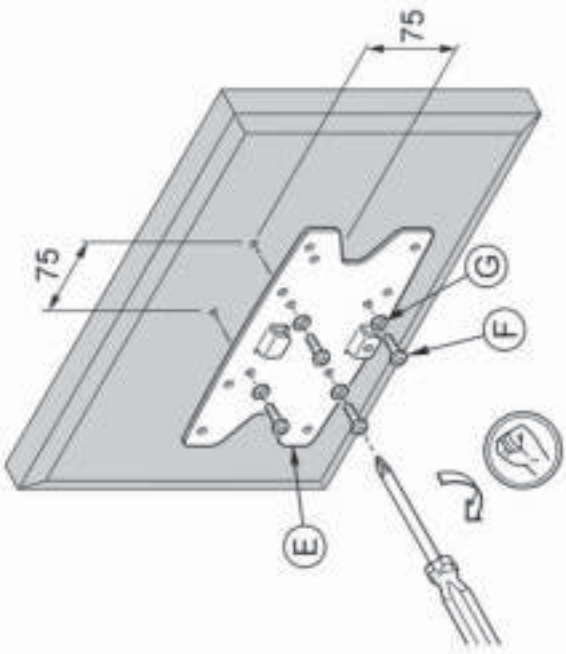


A x1	B x3	D x1	E x1	F M4x12 M5x16 M6x16 M8x25 x4	G M5 M6 M8 x4	H x4	I M6x10 x4	J x4
--------------------	--------------------	--------------------	--------------------	--	--------------------------------------	--------------------	-----------------------------	--------------------



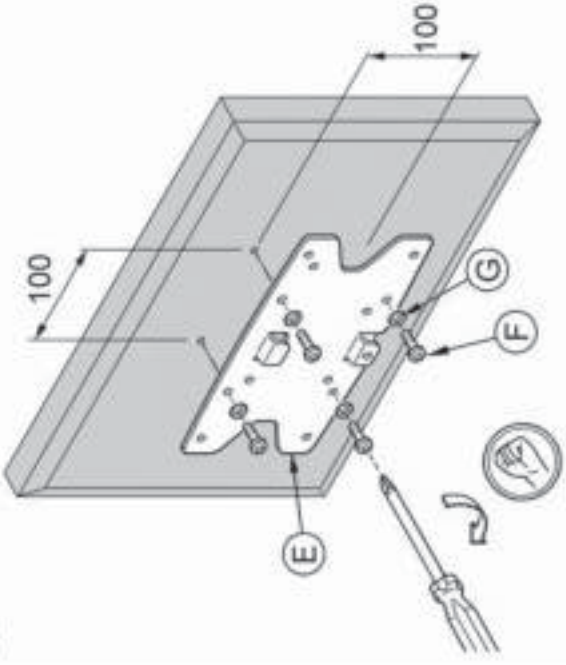
3

I



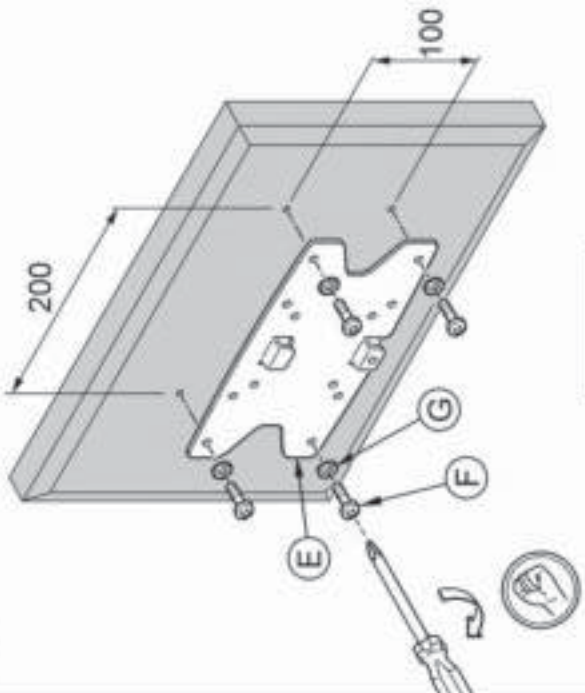
VESA 75x75

II



VESA 100x100

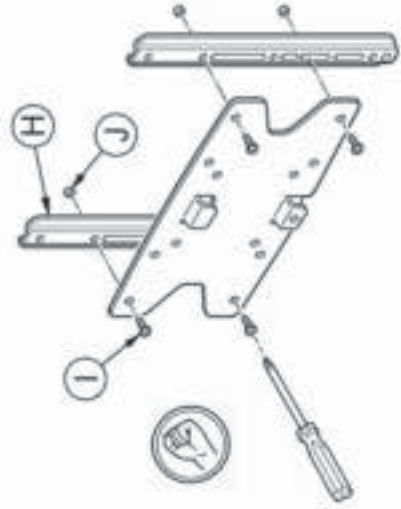
III



VESA 200x100

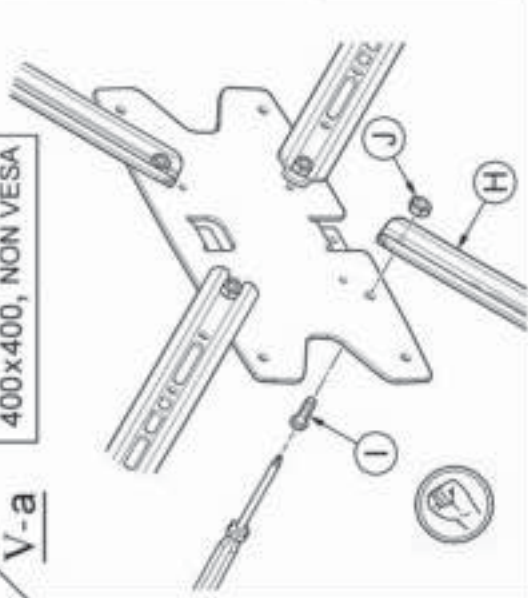
?

IV-a



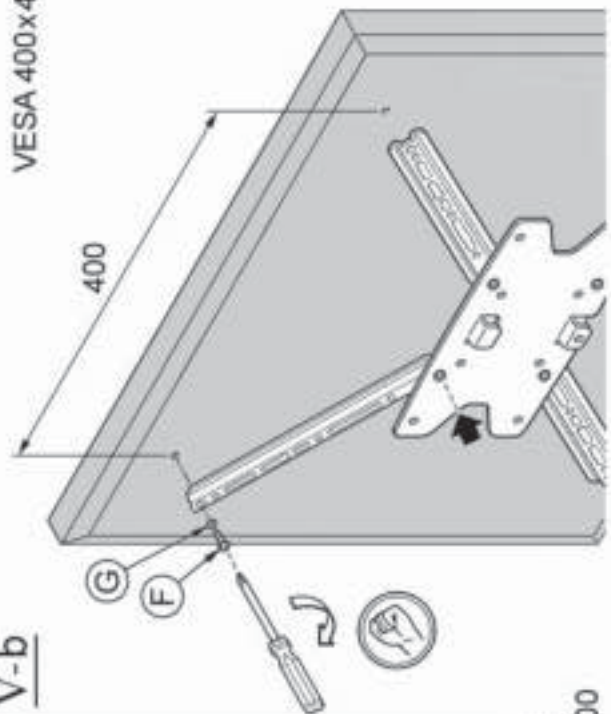
VESA 200x200

V-a



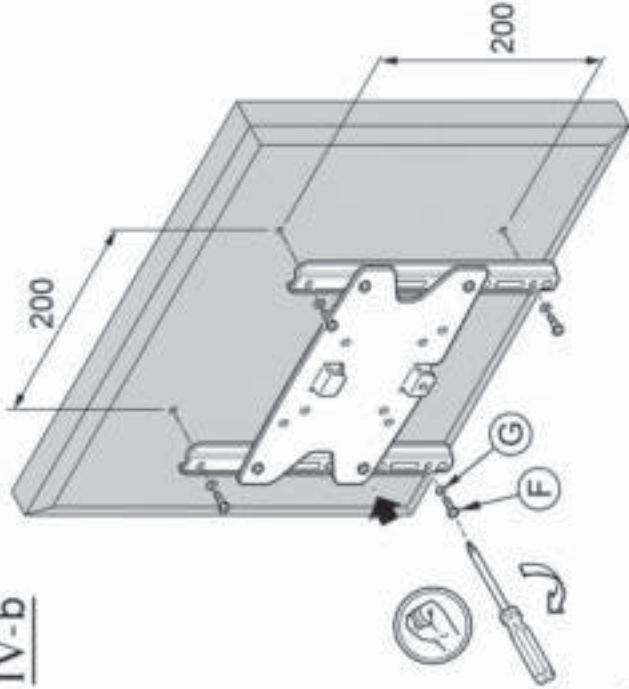
VESA 200x400,
400x400, NON VESA

V-b

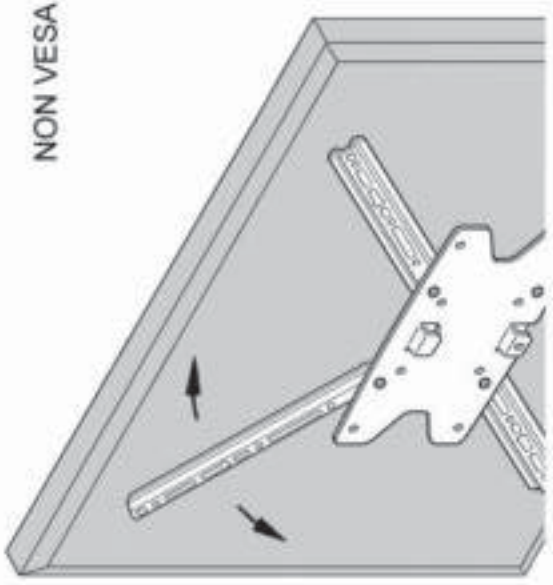


VESA 400x400

IV-b

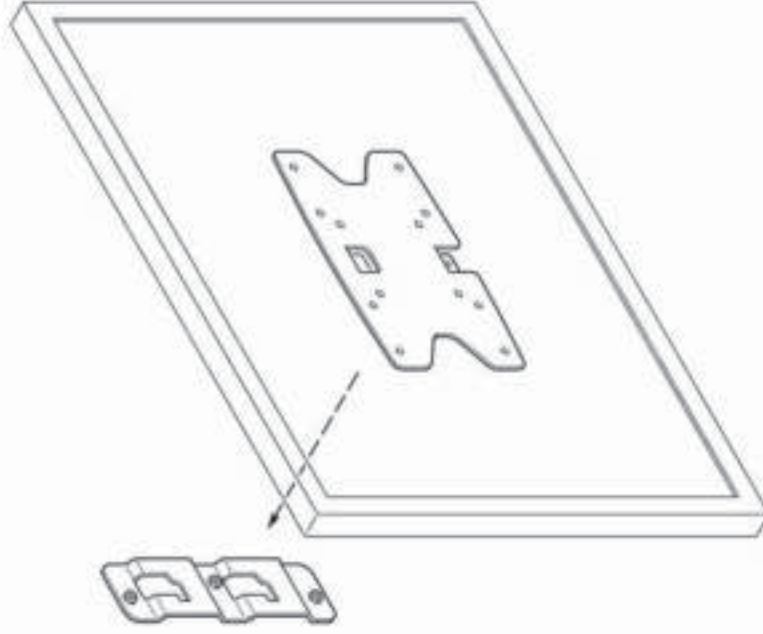


VESA 400x200



4

a



b

