
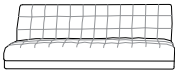


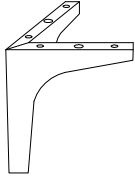
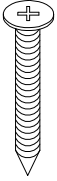
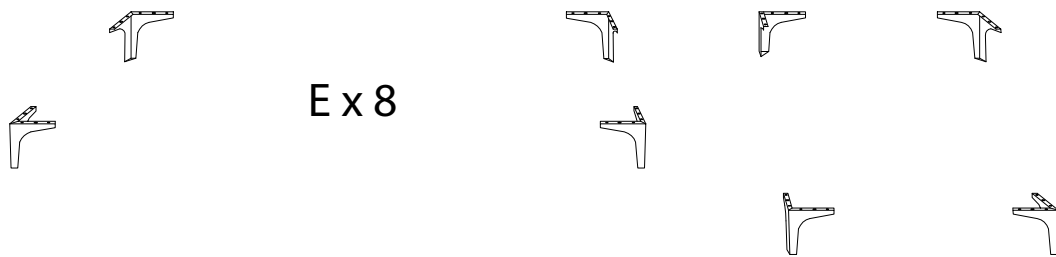
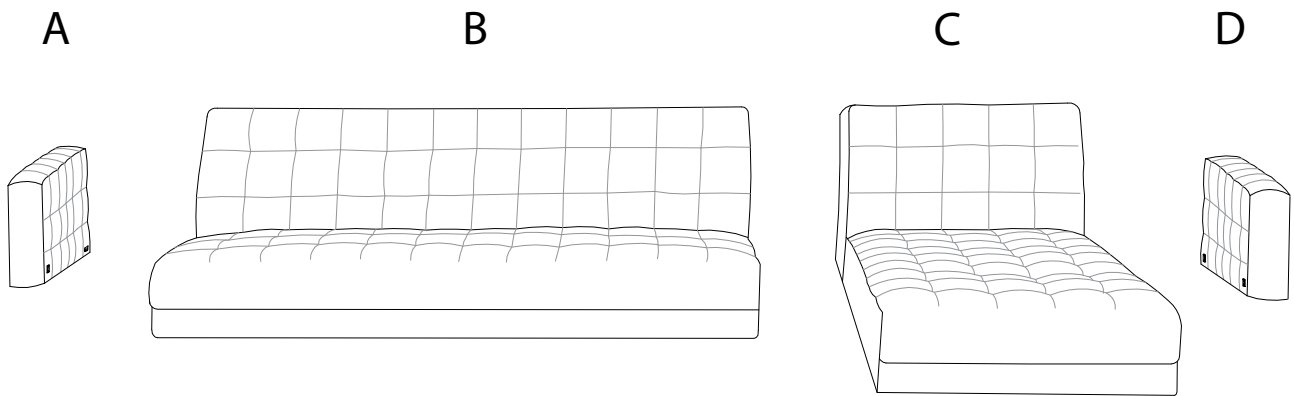

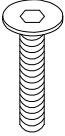

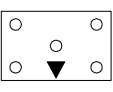
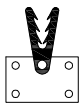


Assembly instructions for step 1/6:

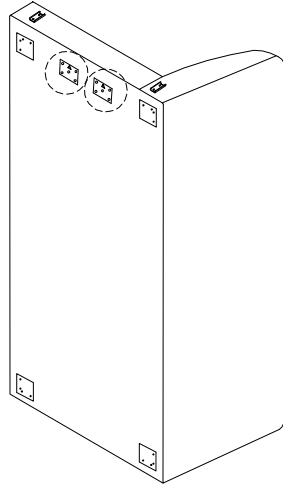
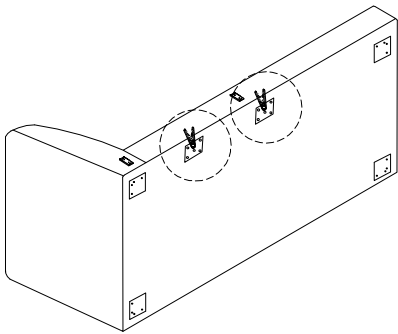
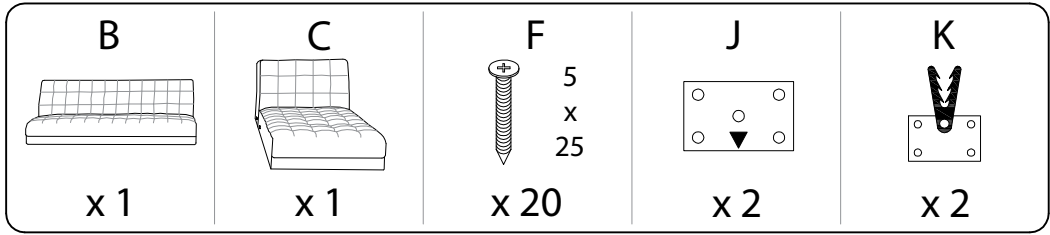
- Tools:** A circle containing an Allen key and a screwdriver, and a crossed-out power drill icon.
- Warnings:** Two warning triangles (exclamation marks in triangles) are positioned to the right of the tool icons.
- Time:** A clock icon with the text "45'" below it, indicating the estimated assembly time.
- Personnel:** A person icon with the number "2" below it, indicating the number of people required for assembly.

A	B	C	D	E	F
					
x 1	x 1	x 1	x 1	x 8	5 x 25 x 52

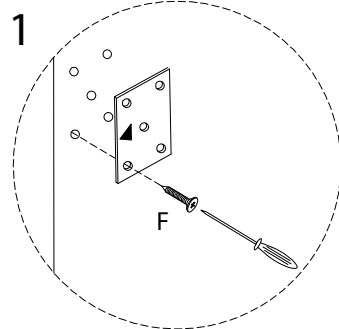


G	H	I	J	K
	 M6 x 30			
x 4	x 8	x 1	x 2	x 2

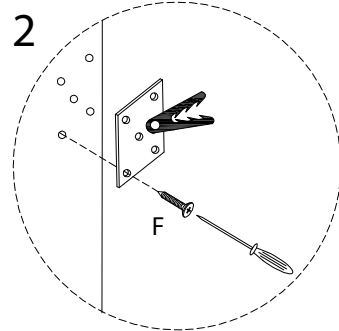
1



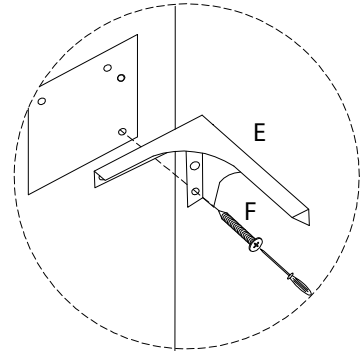
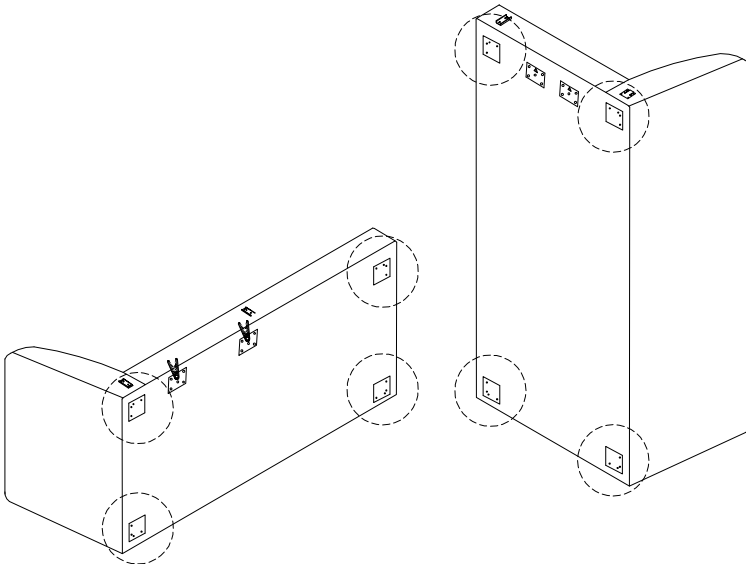
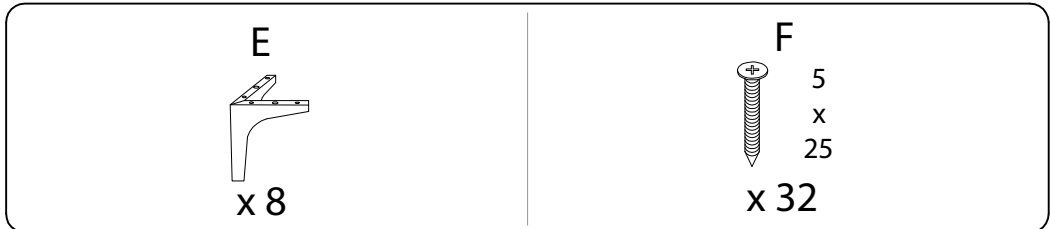
1




2





3

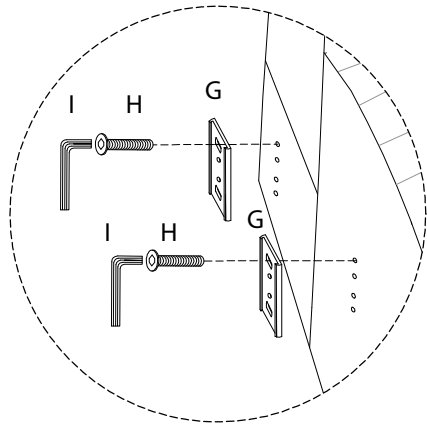
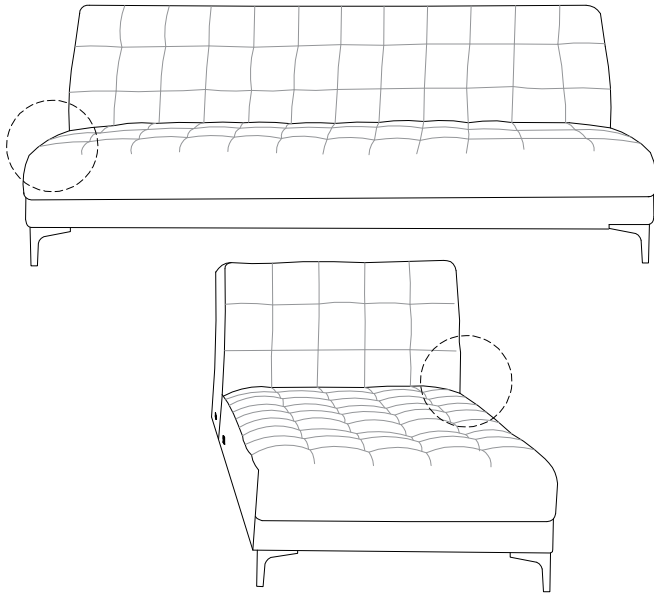


2

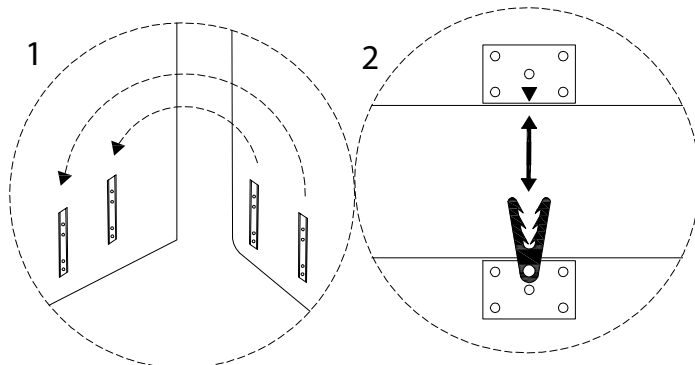
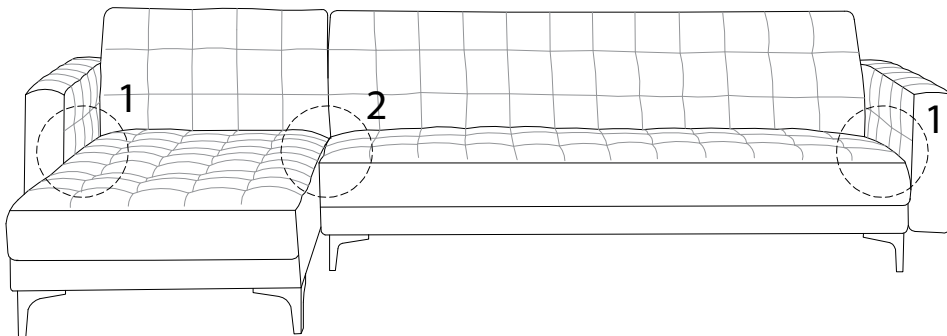
G

x 4

H
 M6
x 30
x 8

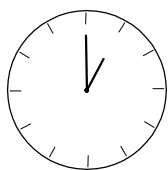
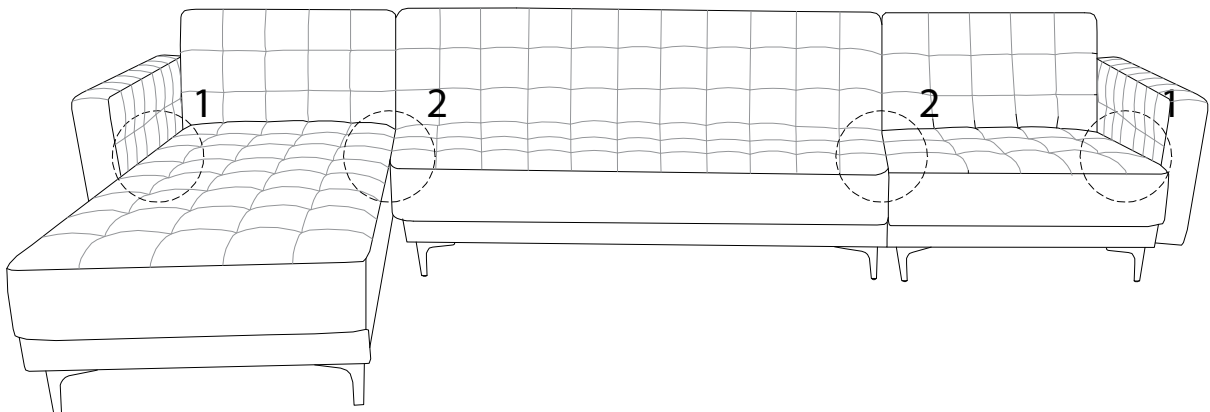
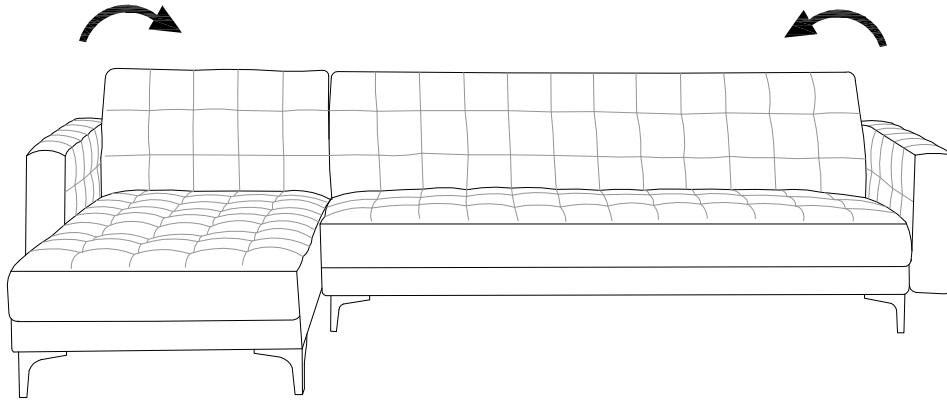
I

x 1



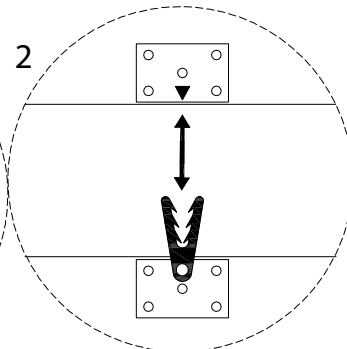
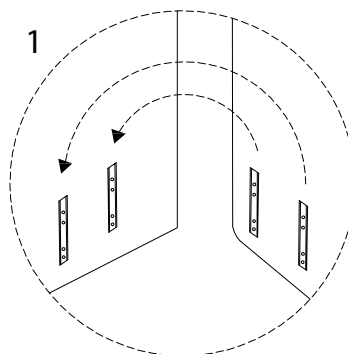
4

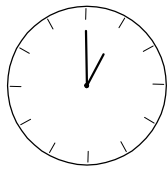
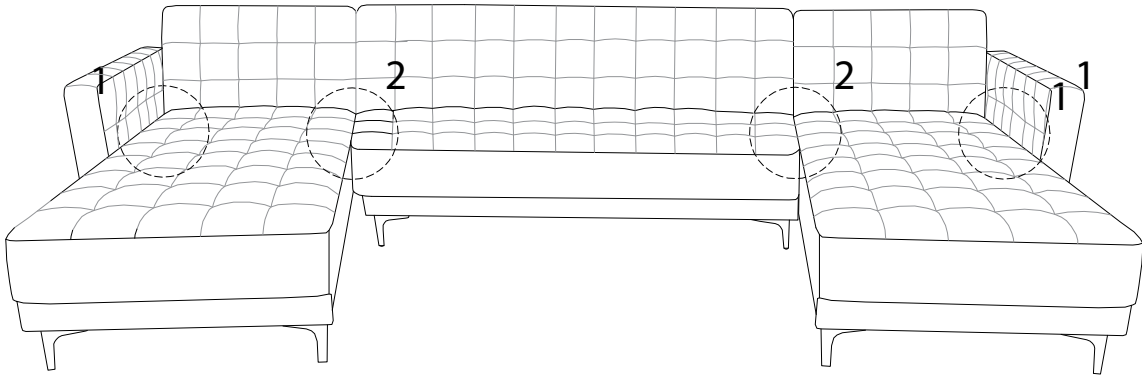


!

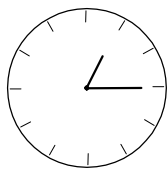
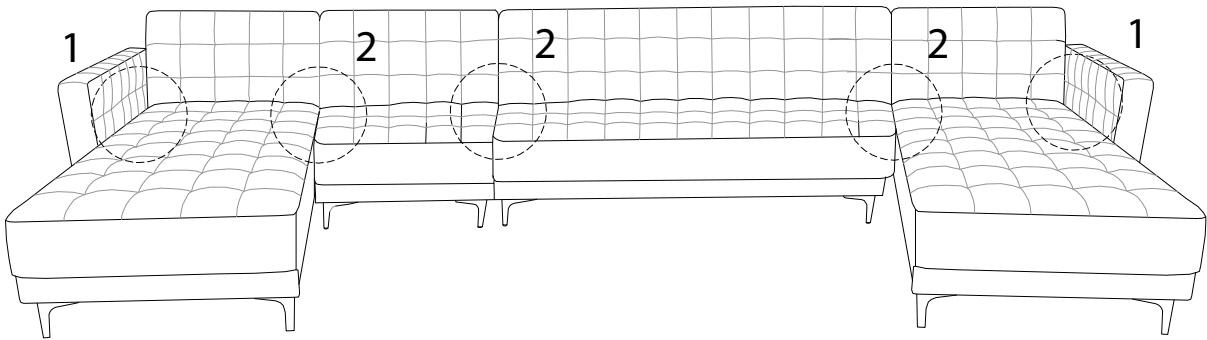
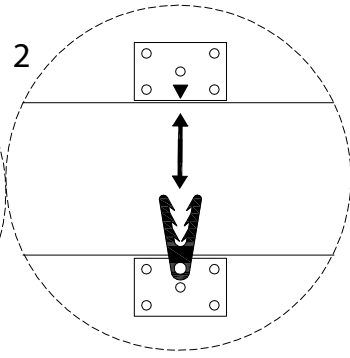
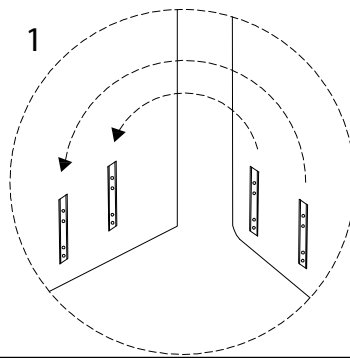


60'





60'



75'

