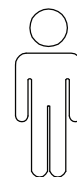
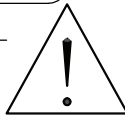
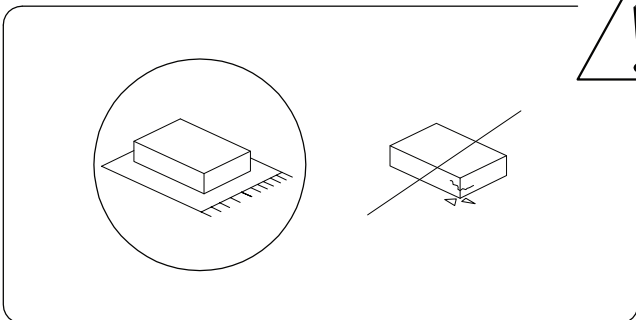
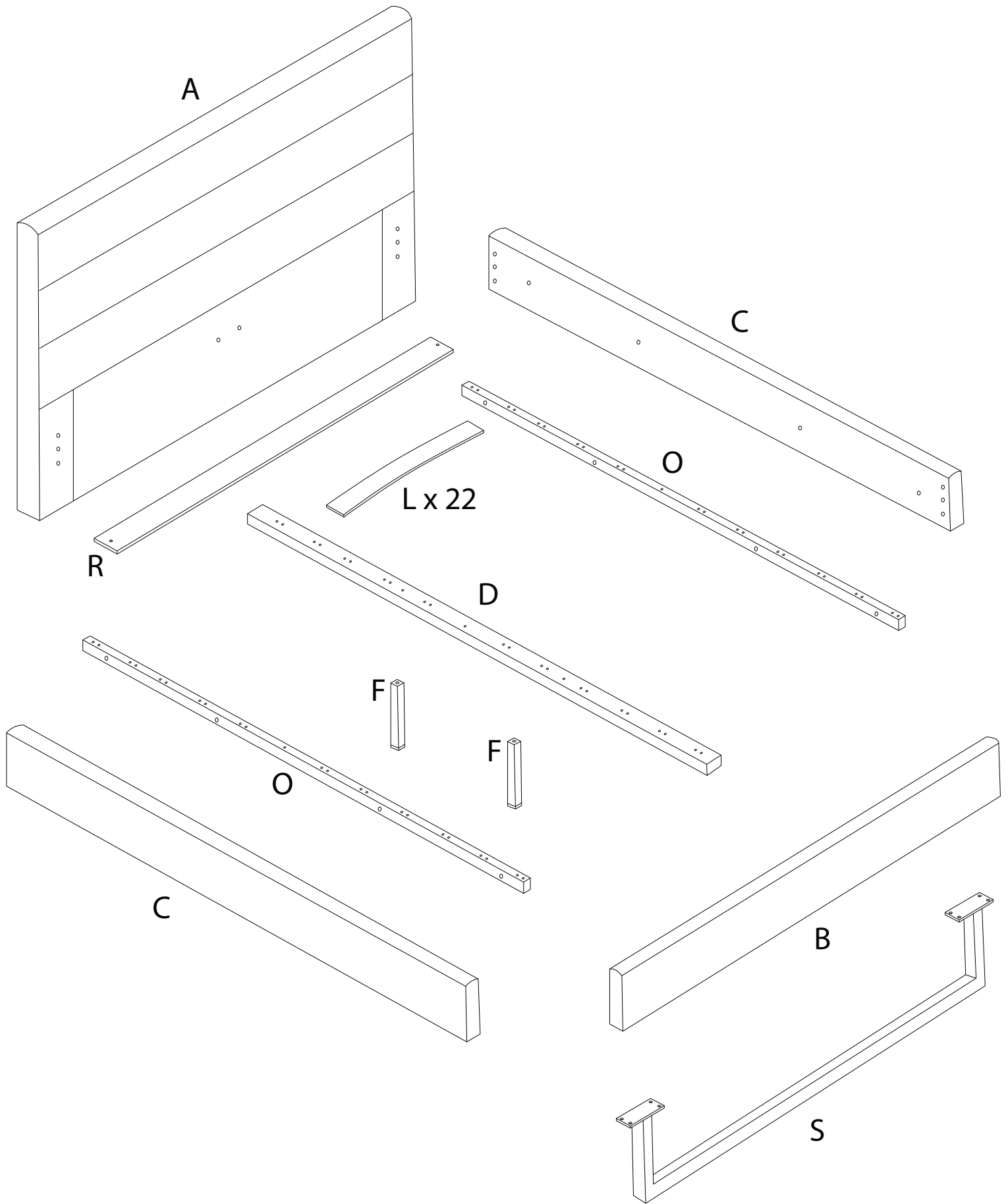
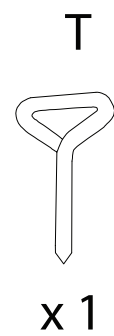
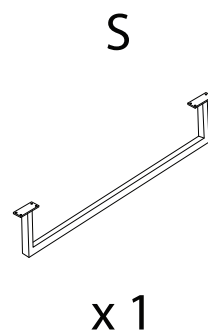
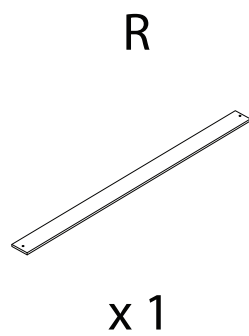
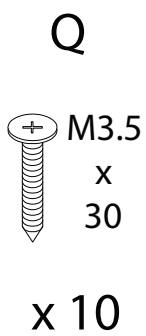
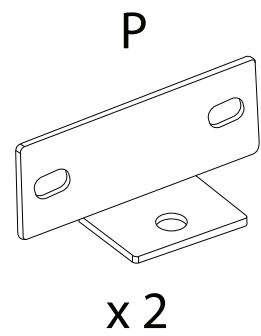
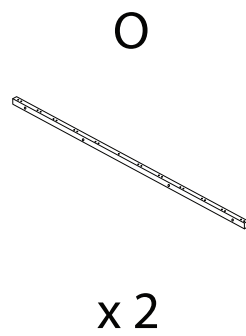
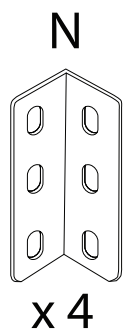
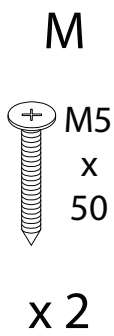
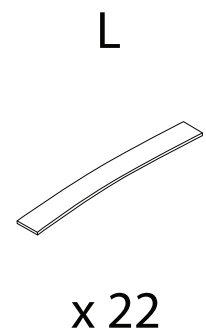
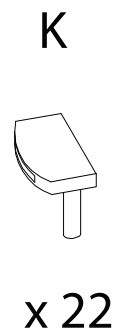
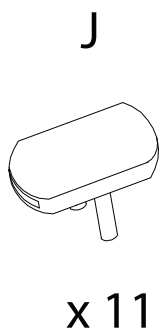
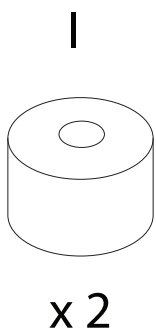
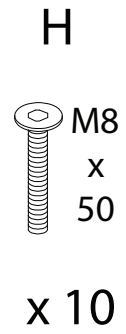
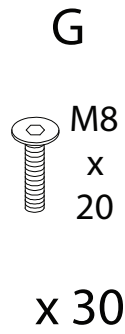
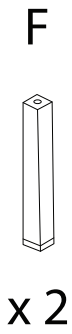
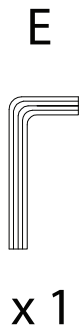
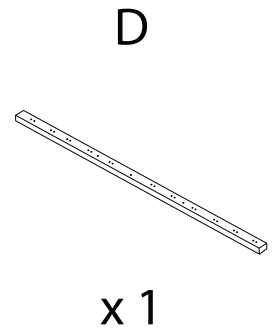
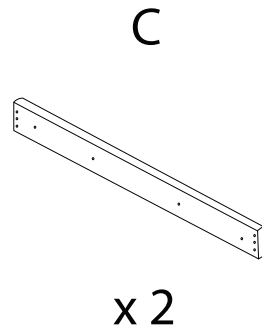
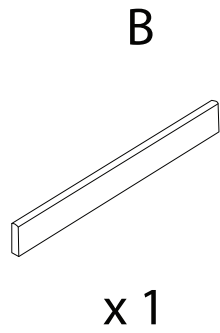
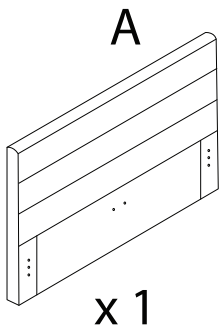


45'

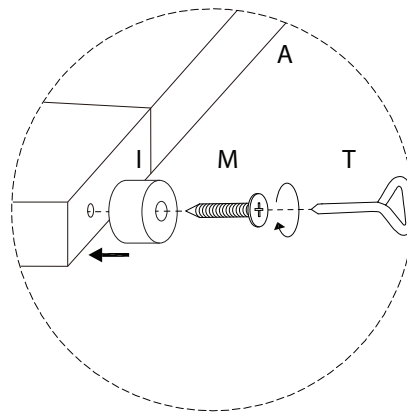
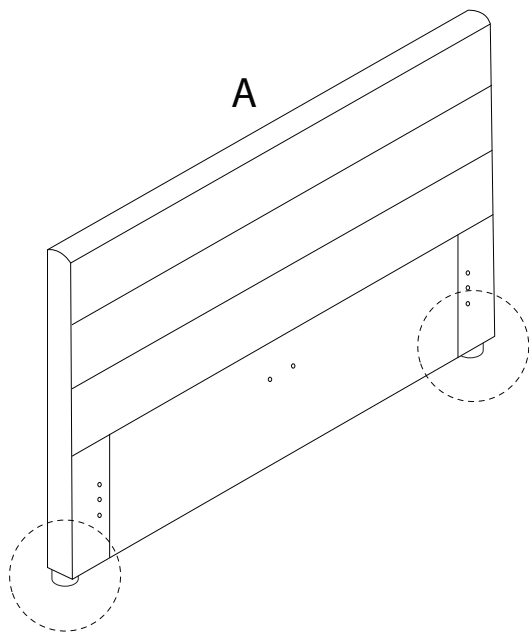
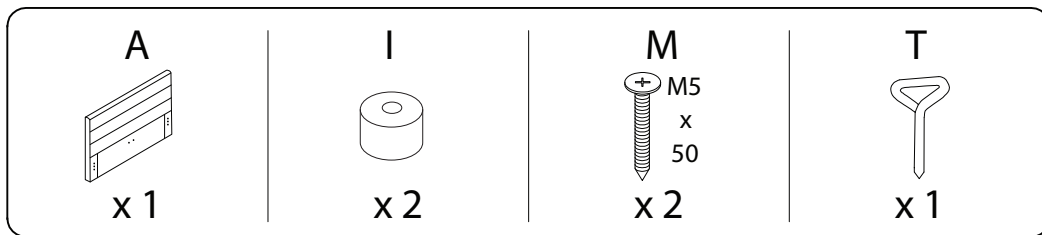


2

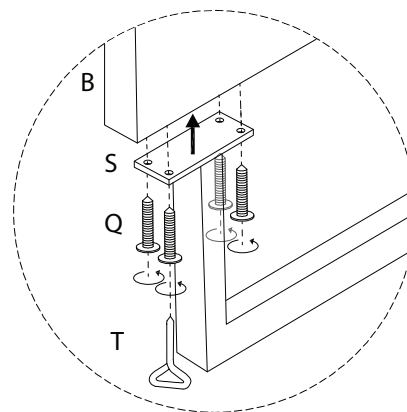
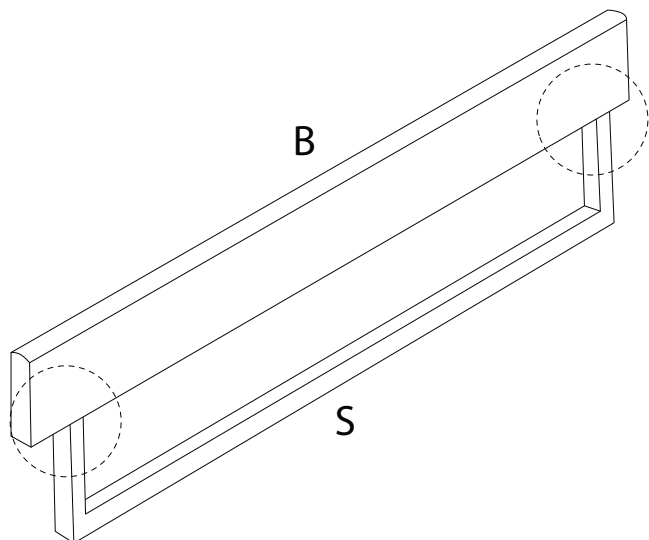
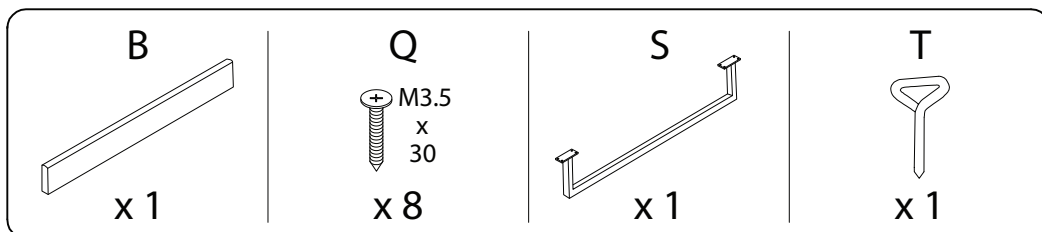




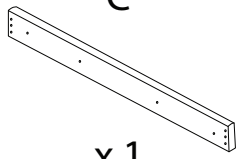
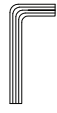

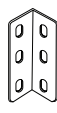
1

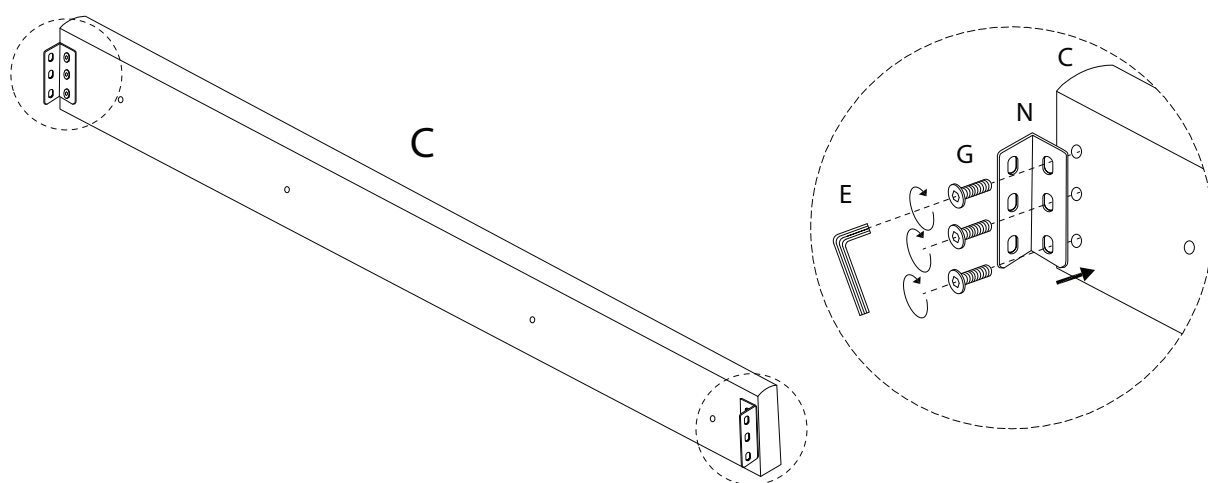


2

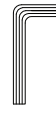



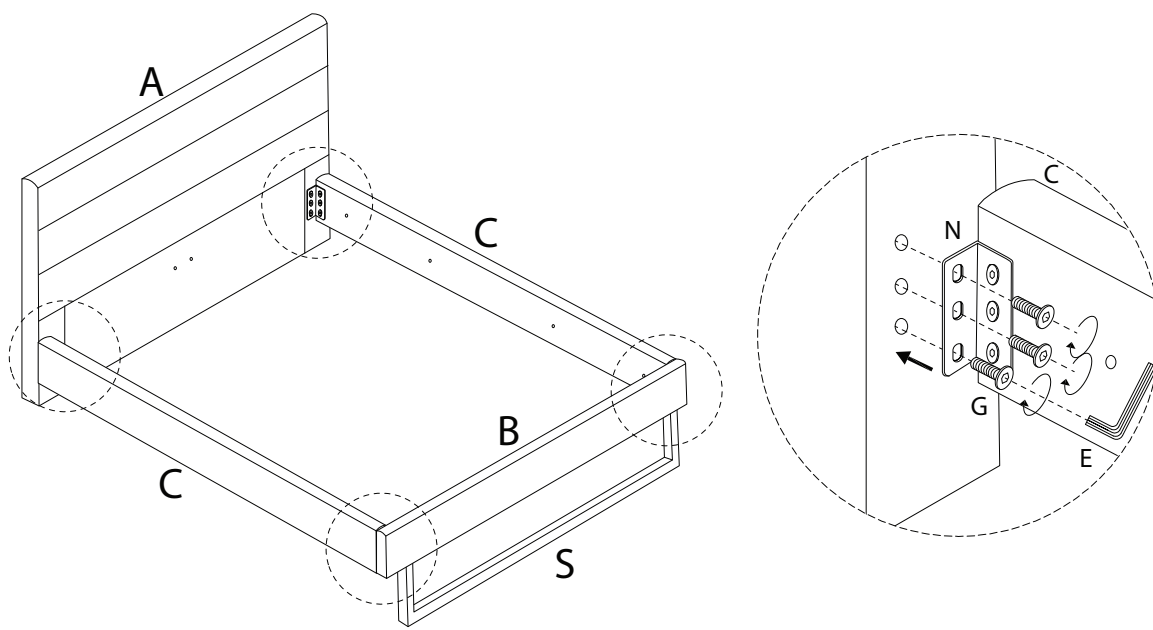
3 x 2

<p>C</p>  <p>x 1</p>	<p>E</p>  <p>x 1</p>	<p>G</p>  <p>M8 x 20</p> <p>x 6</p>	<p>N</p>  <p>x 2</p>
---	---	---	---

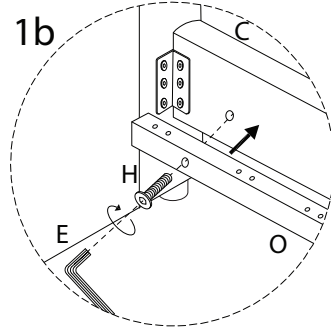
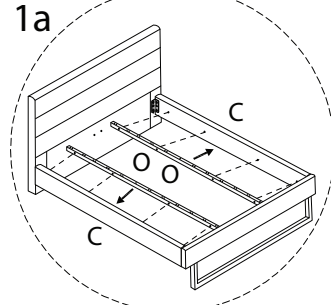
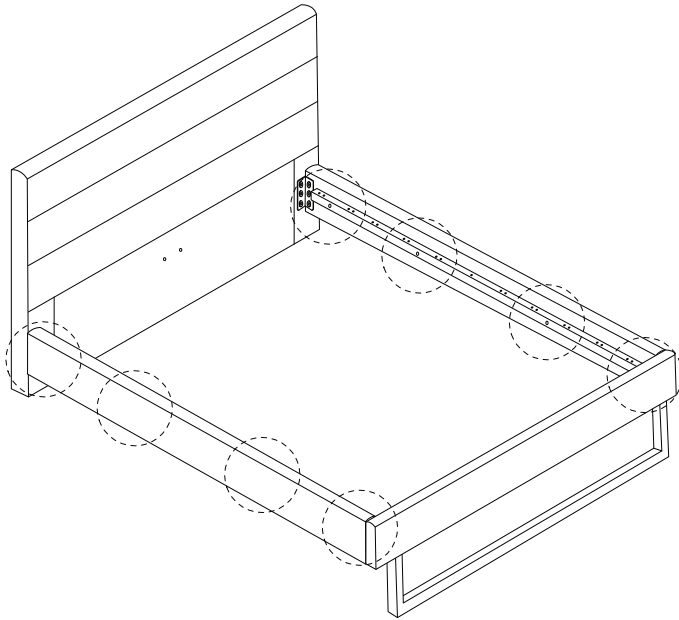
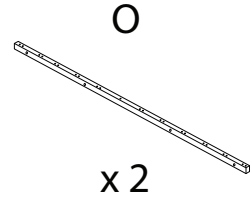
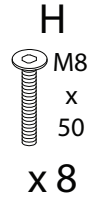
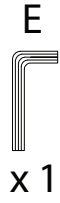


4

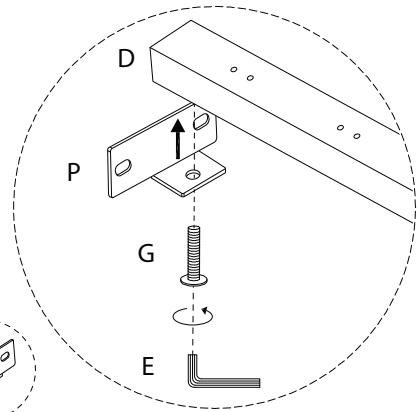
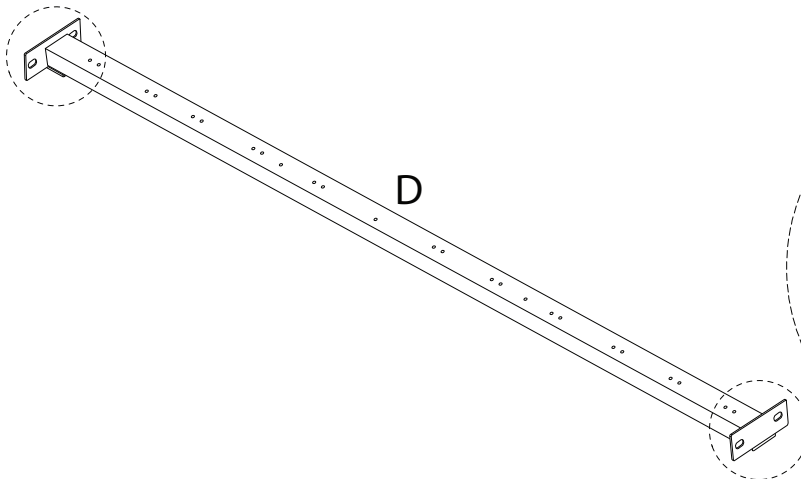
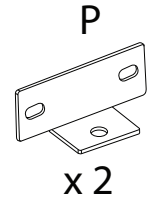
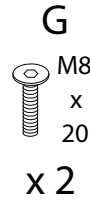
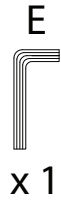
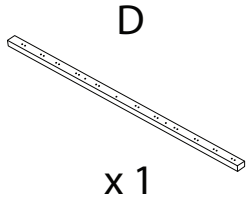
<p>E</p>  <p>x 1</p>	<p>G</p>  <p>M8 x 20</p> <p>x 12</p>
---	---



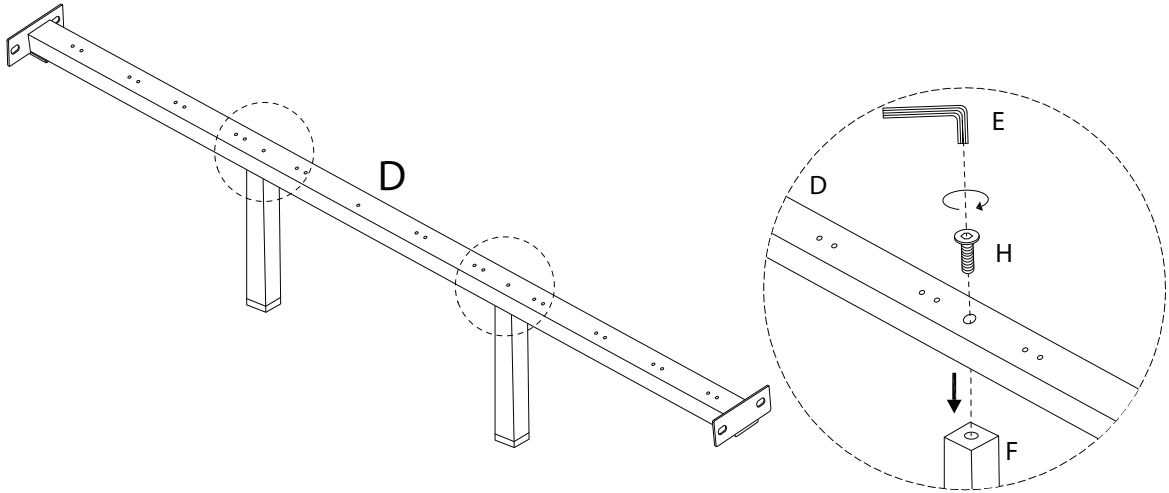
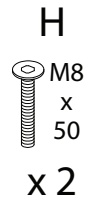
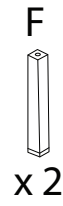
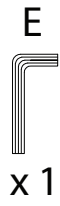
5



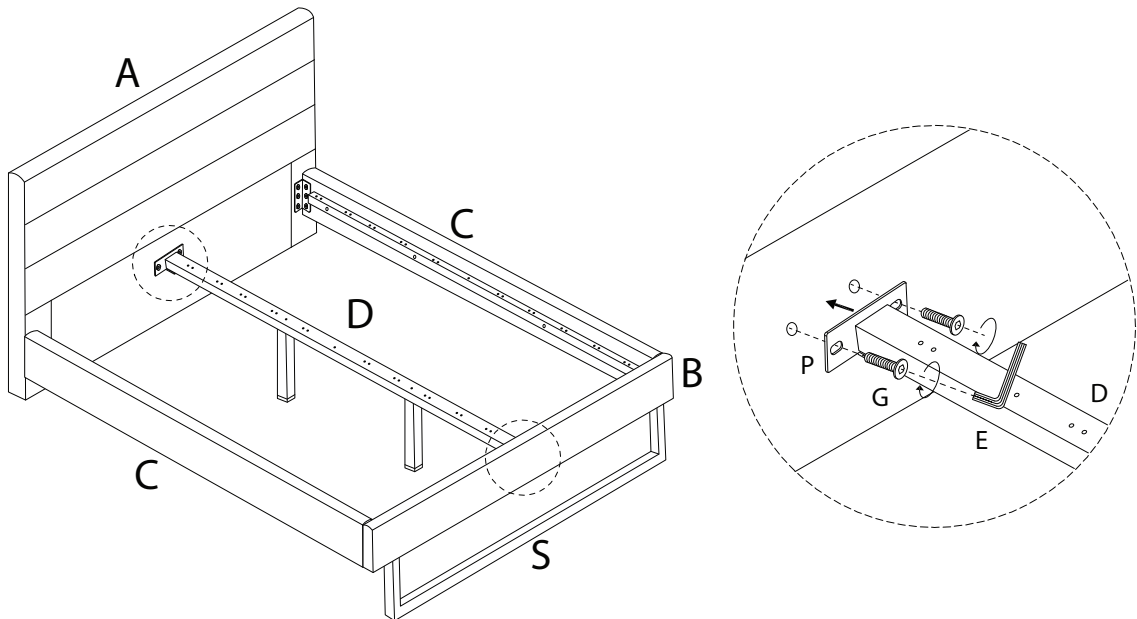
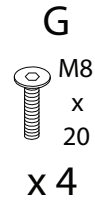
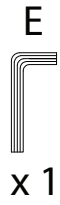
6



7



8

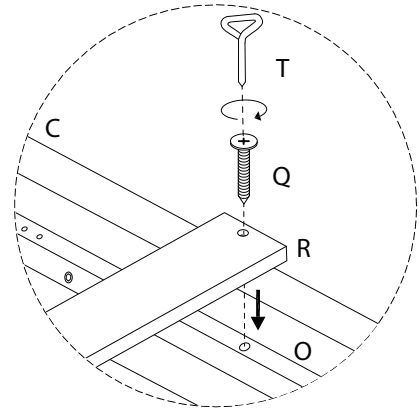
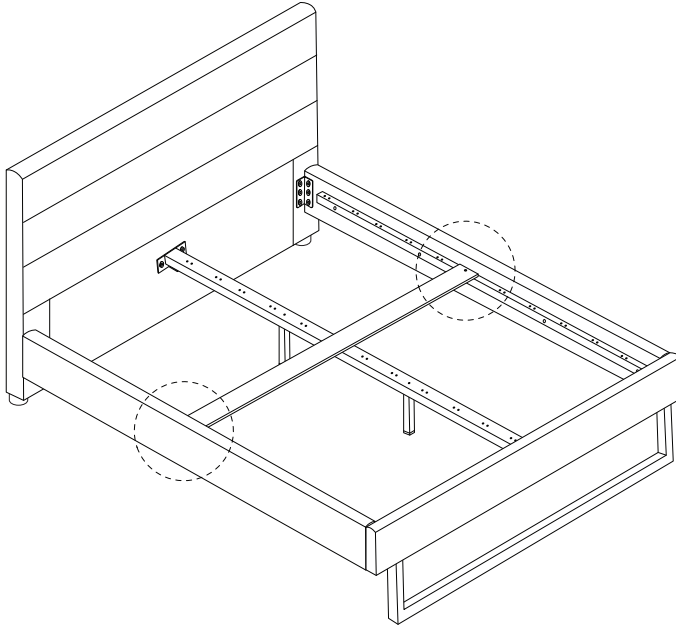


9

Q  
M3.5  
x  
30  
x2

R  
x1

T  
x1

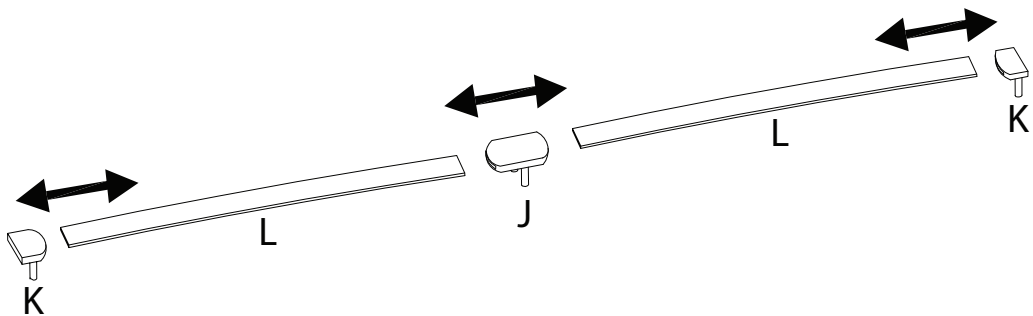


10

J  
x11

K  
x22

L  
x22





11

