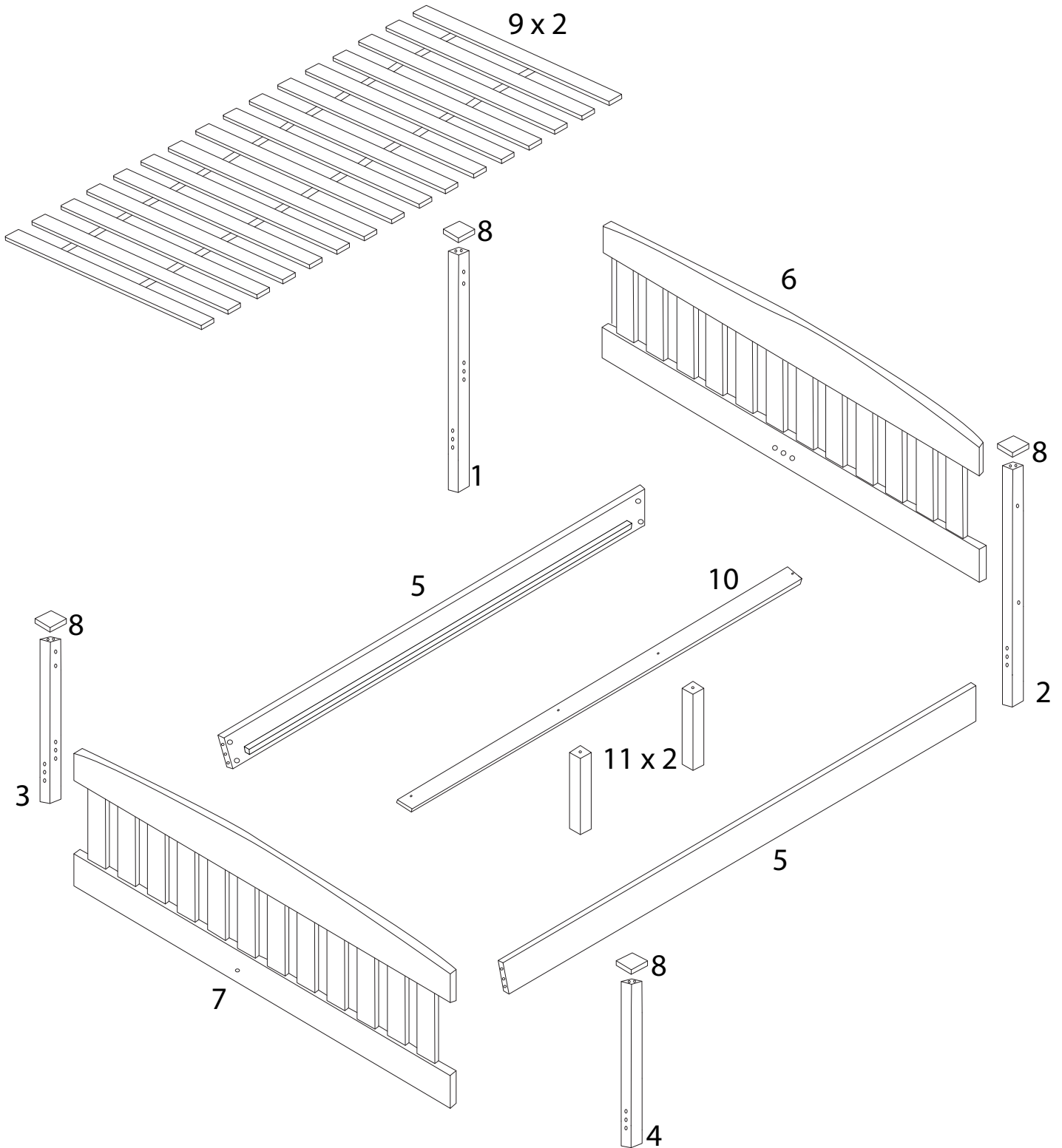
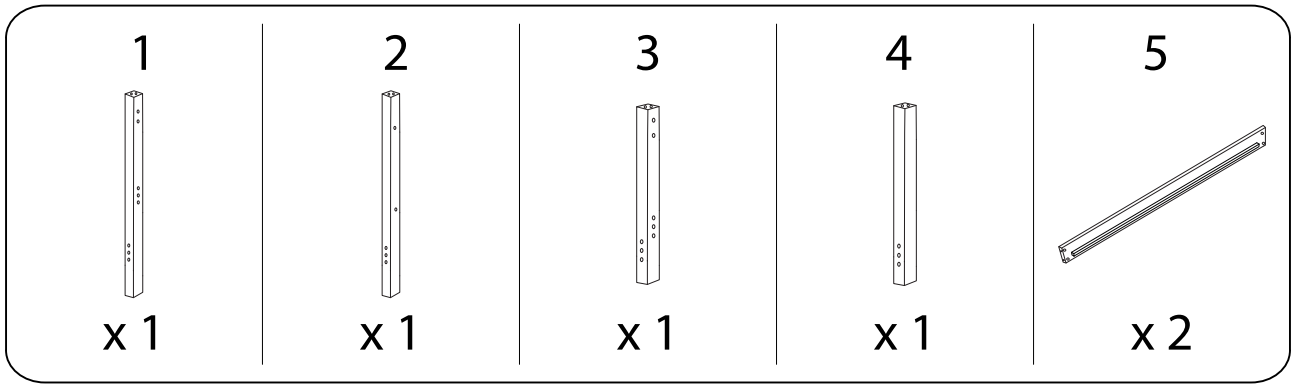
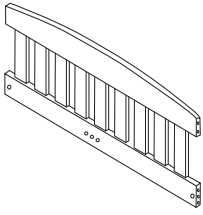


Assembly instructions for step 1/8:

- Tools:** A circular icon contains a screwdriver and a screwdriver bit. A power drill is shown with a diagonal line through it, indicating it should not be used.
- Warning:** A triangle with an exclamation mark.
- Time:** A clock icon with the text "45'" below it.
- Personnel:** A stick figure icon with the number "2" below it.

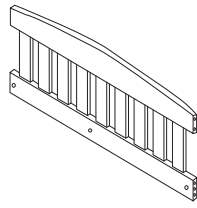


6



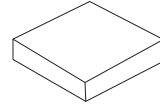
x 1

7



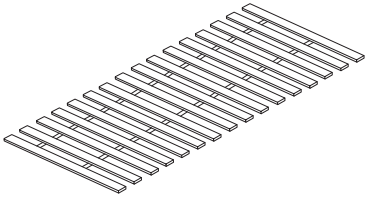
x 1

8



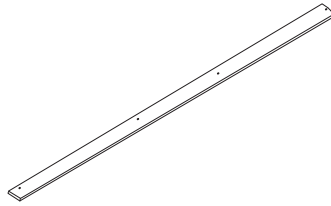
x 4

9



x 2

10



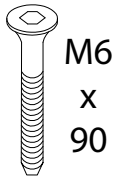
x 1

11



x 2

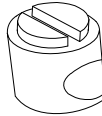
A



M6
x
90

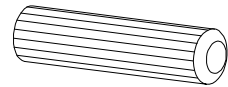
x 12

B



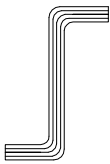
x 12

C



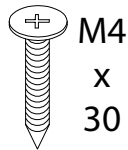
x 28

D



x 1

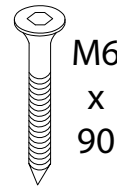
E



M4
x
30

x 60

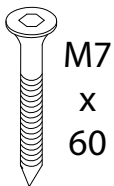
F



M6
x
90

x 4

G



M7
x
60

x 4

H



x 1

M



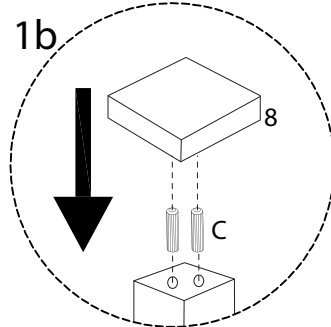
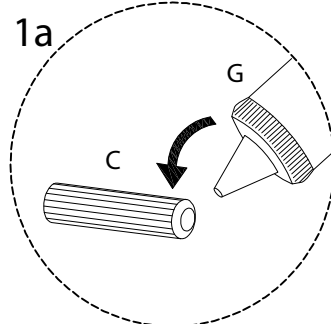
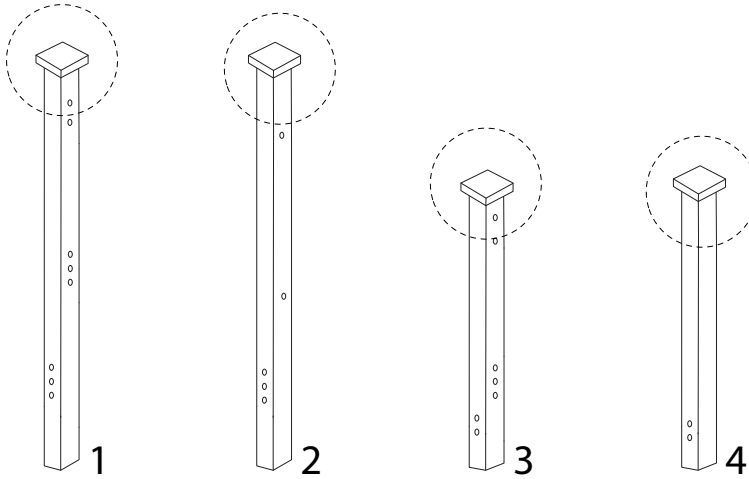
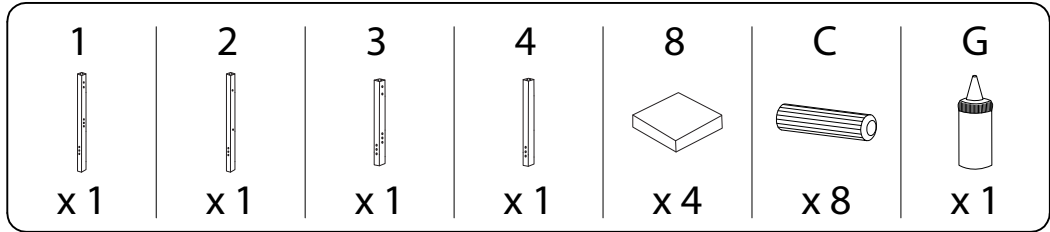
x 16

N

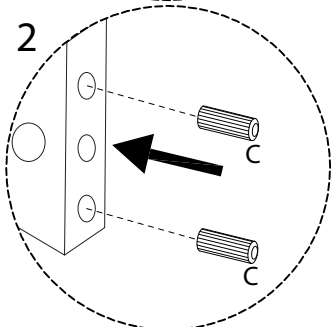
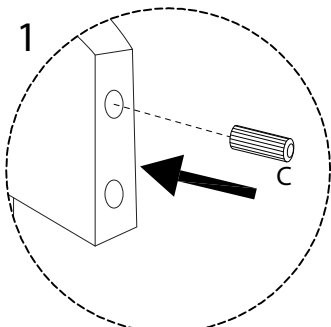
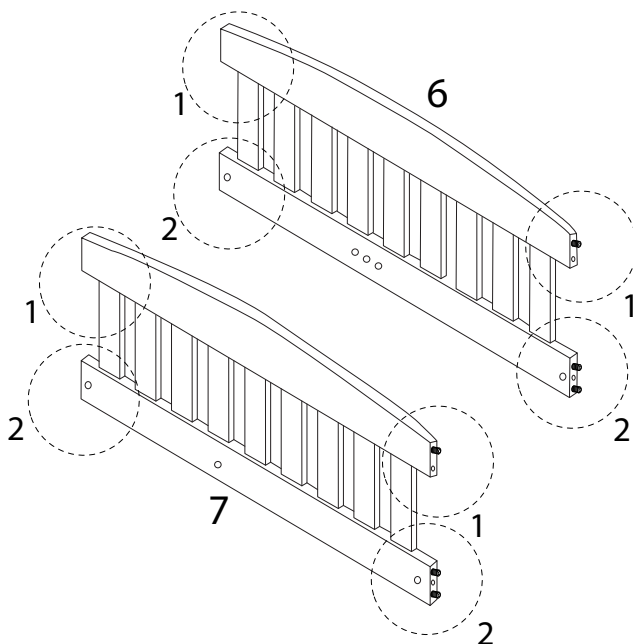
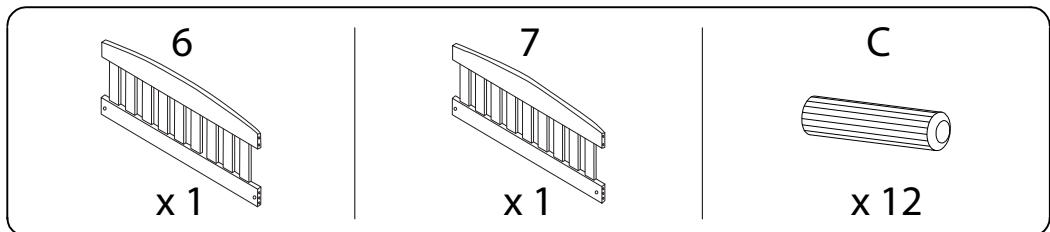


x 2

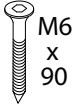

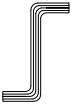
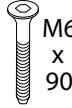
1

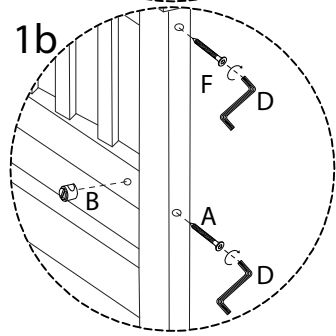
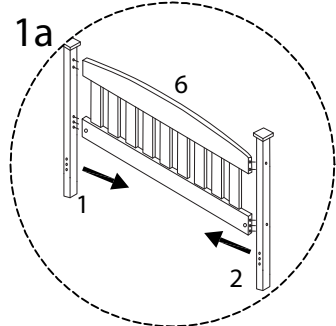
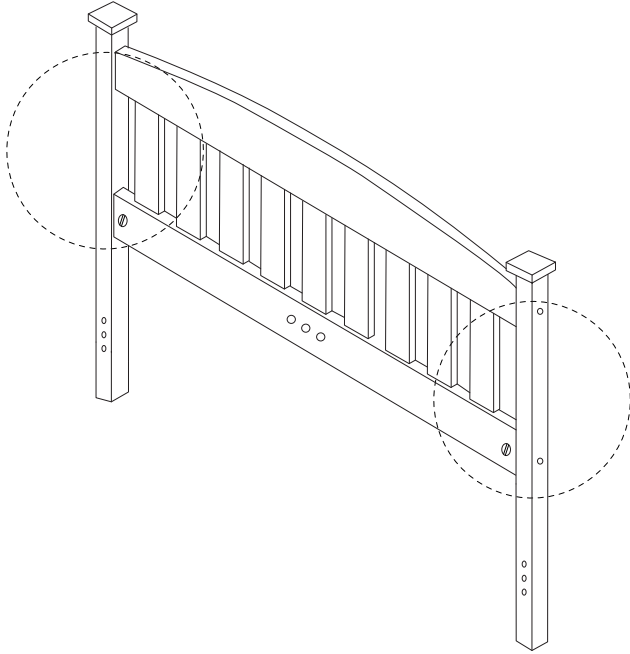


2

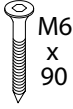

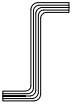
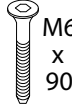


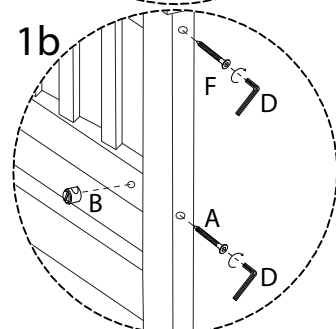
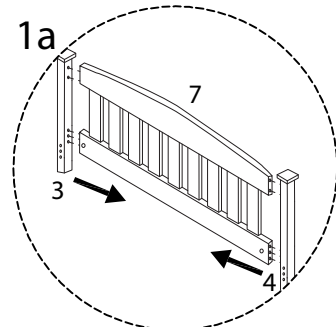
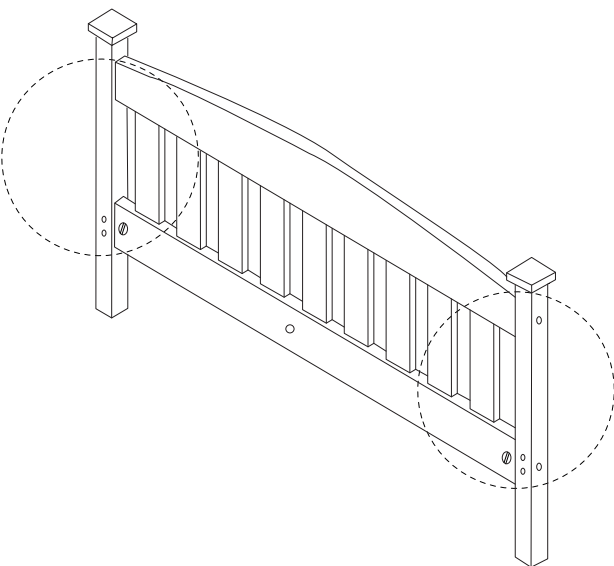
3

A  M6 x 90 x 2	B  x 2	D  x 1	F  M6 x 90 x 2
--	--	---	--

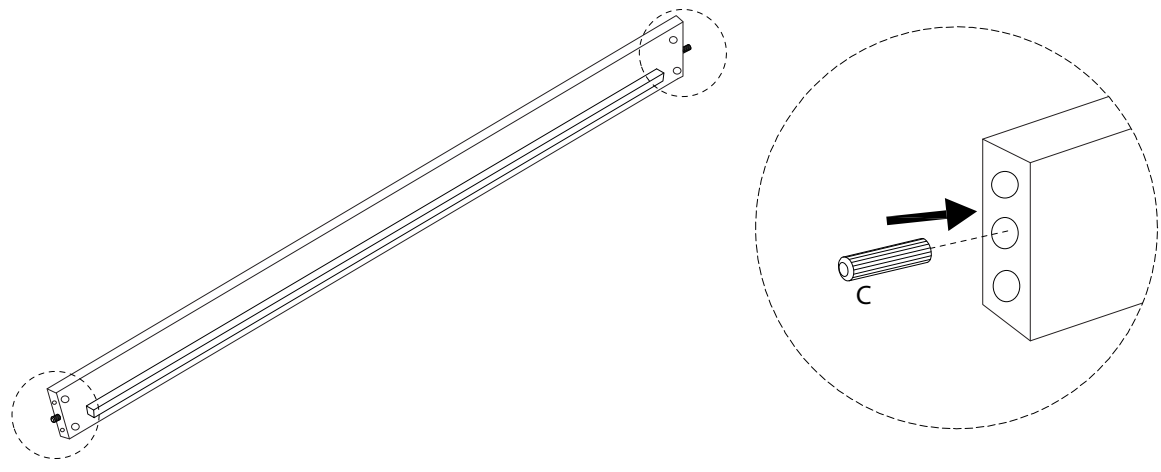
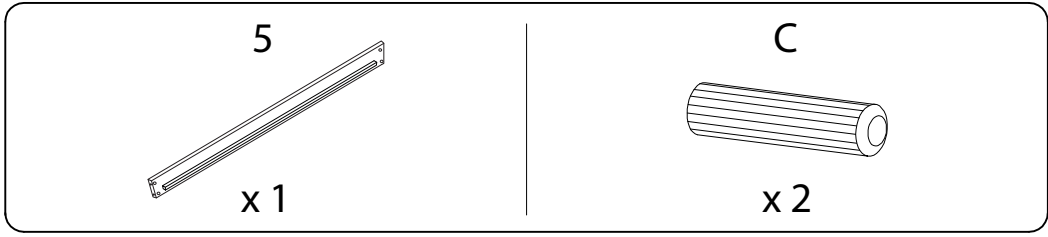


4

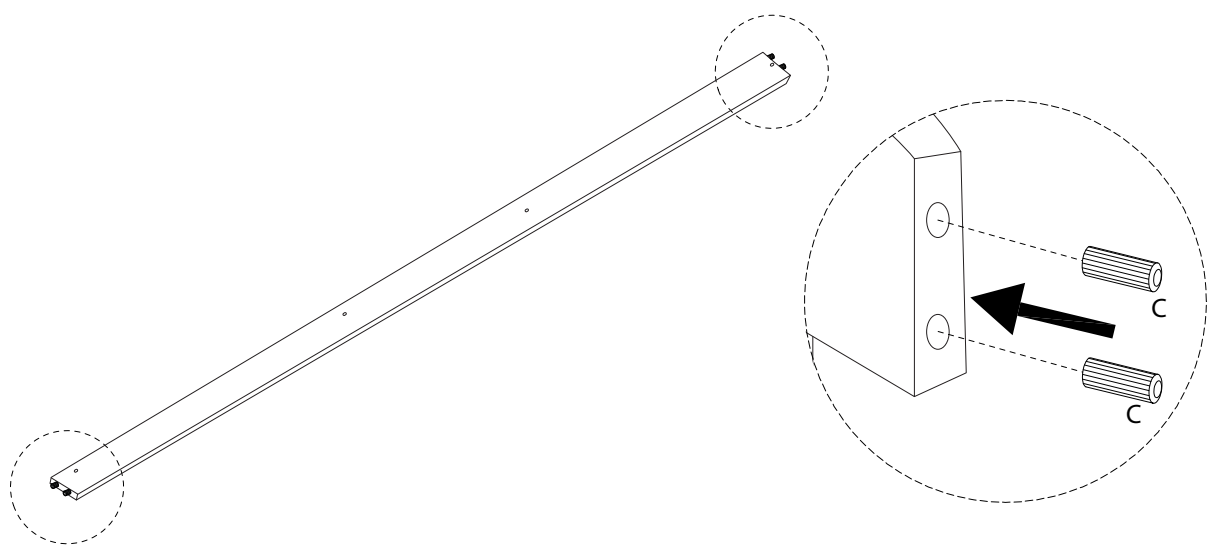
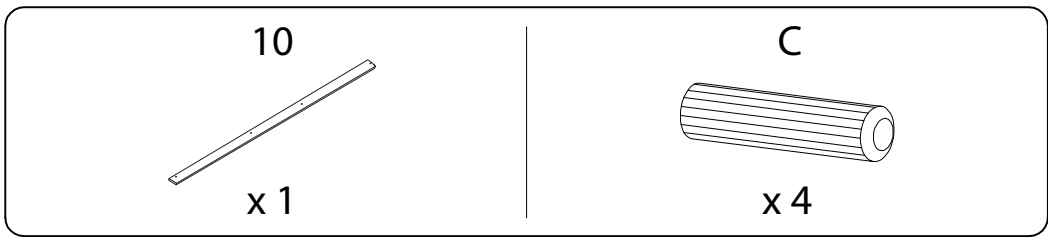
A  M6 x 90 x 2	B  x 2	D  x 1	F  M6 x 90 x 2
--	--	---	--



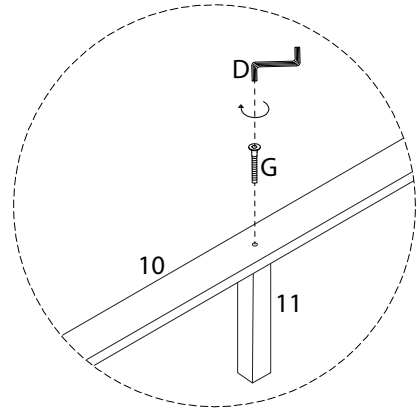
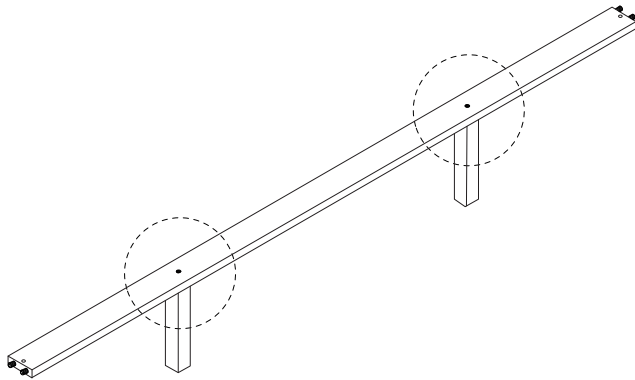
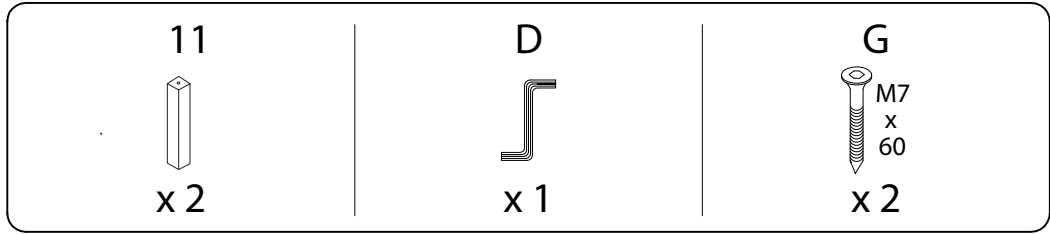
5x2



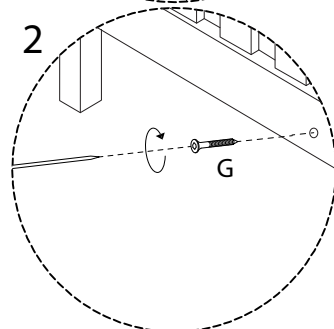
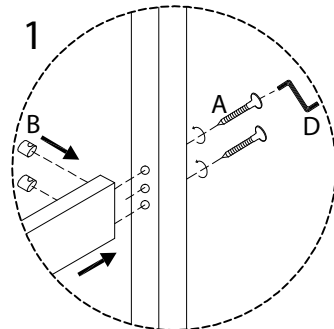
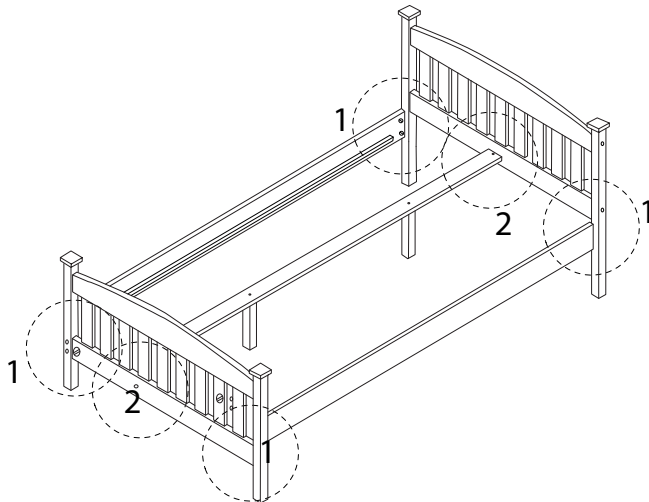
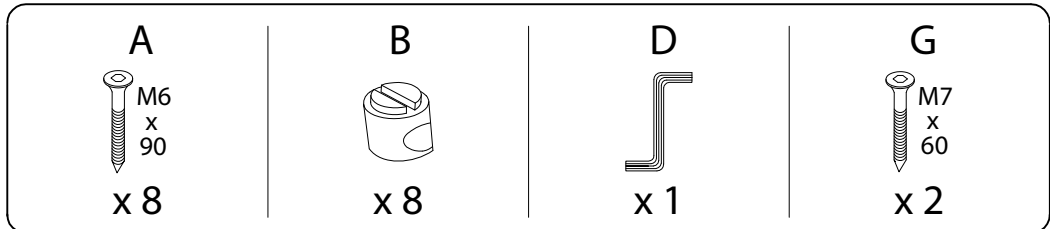
6



7



8



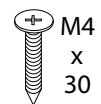
9

9

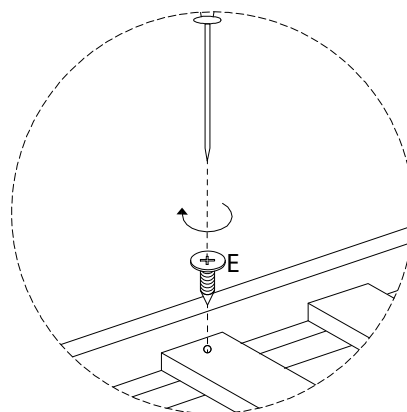
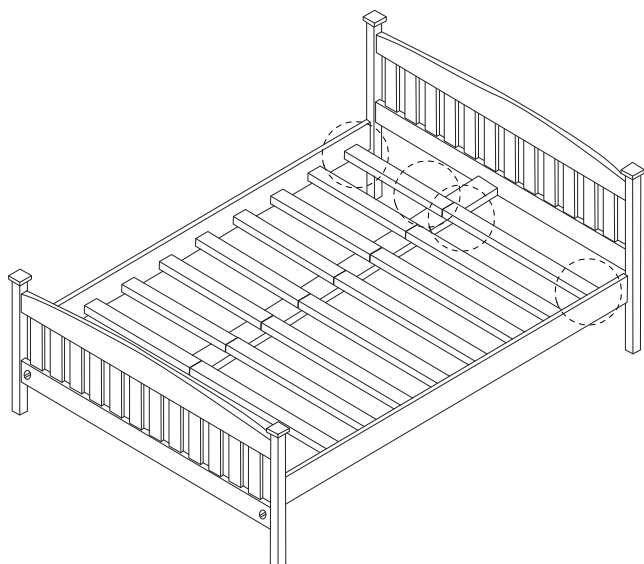


x 2

E



x 60



10

M



x 16

