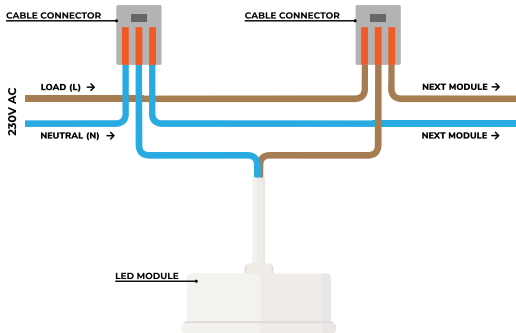


LED MODULE 230V AC WIRING DIAGRAM

Always turn off the power before starting the installation.



STEP 1:

Drill a hole in your ceiling. The packaging of the fixture lists the size of the recommended recess.

STEP 2:

Connect the LED module to the power according to the diagram on the front of this card.

STEP 3:

Mount the module into the recessed downlight's fixture. Turn the power back on.