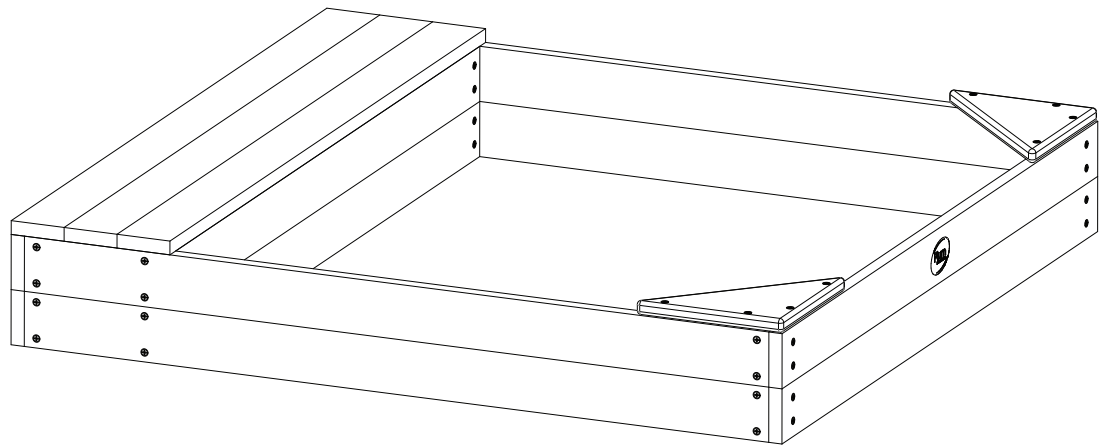


assembly instructions

Plum Store-IT Wooden Sand Pit

assembly requires 2 adults
(approx. 2 hours assembly time)



WARNING! Not suitable for children under 36 months – small parts - choke hazard. Min user age 3 years. Max user weight 50kg. Only for domestic Use Outdoor use only. Adult assembly required. Adult supervision recommended at all times.

Advisory Section

To ensure the safety of you, the installer and your children, it is important that these instructions are read fully before commencing the positioning and installation of this product.

Keep your sandpit safe for the children

1. Always cover the sandpit when not in use, to prevent unwanted animals from playing in the sand.
2. The sandpit cover is not a toy and is not intended for use by children. Always remove the cover before allowing children to play with the sandpit
3. Before covering your sandpit, place a large object in the centre of the sand to prop up the cover. This will allow water to drain off the cover, and prevent any rain water from "pooling" in the centre of the sand pit. This must be checked regularly.
4. Should any water still accumulate and form a pool, please ensure that this water is removed. Standing water can pose a danger to children.
5. Regularly check sand for impurities and any other sharp objects that may cause harm to children, including at the beginning of the season.
6. Use washed play sand suitable for use in children's sand pits.
7. Regularly change the sand to ensure that there is no build up of mould and to ensure that the play area is hygienic.
8. In windy and adverse weather conditions place the product in a safe area. In these conditions the product may become a hazard.
9. The sandpit should be placed on a level surface at least 2m from any structure or obstruction such as a fence, garage, house, over hanging branches, laundry lines or electrical wires.
10. The sandpit should not be installed over concrete, asphalt or any other hard surface.

Timber Advice

This product has been made from premium timber. Great care has been taken in selecting, treating and machining the timber before it is presented to you. Timber is a natural product and as such may experience changes throughout the course of its life. This means it may:

- Develop openings (gaps, slits, apertures, cracks, splits) along the line of the grain. These openings are due to the difference in moisture content between the internal and outer surfaces of the timber. This is to be expected, is totally acceptable and will not affect the integral strength, life or guarantee of the product.
- Warp and distort its shape. Any distortion will be slight and will not affect the safety or enjoyment of this product.
- Fade as the timber reacts with sunlight. The timber should be treated with a proprietary product to act as a protective barrier, i.e. a water repellent, on an annual basis.
- After first year of service treat product with a good quality treatment safe for children's use.

Warning! Adult assembly required. Choking hazard. Contains small parts prior to assembly

Routine Maintenance

It is advised that on a regular basis (i.e. at the beginning of the season and monthly thereafter) all main parts/fixings are checked as secure, well oiled (if metallic), have no sharp points/edges and are intact. Replace, oil and/or tighten when necessary. Failure to do so may result in an injury or hazard. Replace defective parts immediately, for further information contact customer services.

Remember to keep these instructions in a safe place for future reference

For warranty information please refer to our website.

Plum Products Ltd,
The Cliff, Middle Street
Ingham, Lincolnshire, LN1 2YQ, UK
Tel: +44 (0) 344 880 5302,
Fax: +44 (0) 152 273 0379
customerservices@plumproducts.com
www.plumproducts.com
Copyright Plum Products 2013

Plum Products Australia Pty Ltd,
303/154-158 Military Road,
Neutral Bay,
NSW 2088,
Australia
Tel: 02-99605500
Helpline: 1800 900 161
Email: aushelpdesk@plumproducts.com

WARNINGS!

Minimum user age 3 years
Maximum user weight 50kgs
Not suitable for children under 36 months – small parts
Adult assembly required
Adult supervision recommended at all times
Only for Domestic use
Outdoor use only
Keep instructions for future reference

AVERTISSEMENT !

Age minimum de l'utilisateur 3 ans
Poids maximum de l'utilisateur 50kgs
Ne convient pas aux enfants de moins de 36 mois - petites pièces
Nicht für Kinder unter 36 Monaten geeignet – Kleinteile
Assemblage par un adulte nécessaire
Ne jamais laisser un enfant jouer sans surveillance
Usage domestique uniquement
Destiné à l'usage externe uniquement
N'oubliez pas de garder ces instructions dans un lieu sûr pour référence ultérieure.

ACHTUNG!

Das Mindestalter für Benutzer beträgt 3 Jahre
Höchstgewicht des Benutzers 50kgs
Nicht für Kinder unter 36 Monaten geeignet – Kleinteile
Montage muss durch einen Erwachsenen erfolgen
Sollte nur unter unmittelbarer Aufsicht von Erwachsenen benutzt werden
Nur für den Hausgebrauch
Nur zur Nutzung im Freien geeignet
Denken Sie daran, dass Sie diese Anleitung für eine spätere Nutzung sicher aufbewahren

ATTENZIONE!

Età minima dell'utente 3 anni
Peso massimo dell'utente 50kgs
Non adatto a bambini al di sotto dei 36 mesi. Contiene pezzi piccoli. Pericolo di soffocamento.
È necessario l'assemblaggio di un adulto
Si raccomanda sempre la supervisione di un adulto
Solo per uso domestico
Solo per uso esterno
Ricordarsi di conservare le presenti istruzioni in un luogo sicuro per consultazione futura

WAARSCHUWING!

Minimum leeftijd van gebruiker: 3 jaar
Maximum gewicht van gebruiker 50kgs
Niet geschikt voor kinderen jonger dan 36 maanden – kleine onderdelen, verstikkingsgevaar
Montage door een volwassene vereist
Toezicht van een volwassene te allen tijde aanbevolen
Alleen voor gebruik binnenshuis
Alleen voor gebruik buiten
Bewaar deze instructies op een veilige plaats zodat u ze later kunt raadplegen

AVERTENCIA

Edad mínima del usuario 3 años

Peso máximo del usuario: 50kgs

No es conveniente para niños menores de 36 meses, ya que posee partes pequeñas

El montaje de este juguete debe llevarlo a cabo un adulto

Se recomienda en todo momento la supervisión de un adulto

Utilícese exclusivamente en el ámbito doméstico

Utilícese exclusivamente al aire libre

Recuerde conservar estas instrucciones en un lugar seguro para poderlas consultar en el futuro

VAROVÁNÍ!

Minimální věk uživatele je 3 let

Maximální hmotnost uživatele 50kgs

Není vhodné pro děti mladší 36 měsíců – drobné součásti

Vyžaduje se montáž dospělou osobou

Doporučuje se po celou dobu dozor dospělé osoby

Pouze pro domácí použití

Pouze pro venkovní použití

Nezapomeňte si uschovat tyto pokyny na bezpečném místě pro potřeby budoucích odkazů

UPOZORNENIE

Minimálny vek používateľa je 3 rokov

Maximálna hmotnosť používateľa 50kgs

Nevhodné pre deti mladšie ako 36 mesiacov - malé častice

Vyžaduje sa montáž dospelou osobou

Dozor dospelšej osoby sa odporúča po celú dobu

Iba pre domáce použitie

Iba pre vonkajšie použitie

Nezabudnite si uschovať tieto pokyny na bezpečnom mieste pre budúce použitie

تحذير!

الحد الأدنى لعمر المستخدم

الحد الأقصى لوزن المستخدم 50kgs

لا يصلح لاستخدام للأطفال دون 36 شهر - قطع صغيرة،

يتطلب لتجميع أجزاء الجهاز شخص بالغ

ينصح بضرورة وجود إشراف دائم من كبار السن عند استخدام الجهاز.

للاستخدام الداخلي فقط

للاستخدام في الهواء الطلق فقط

OSTRZEŻENIE!

Minimalny wiek użytkownika: 3 lat

Maksymalna waga użytkownika 50kgs

Nie nadaje się dla dzieci w wieku poniżej 36 miesięcy – małe elementy

Wymaga montażu przez osobę dorosłą

Zalecany jest stały nadzór osoby dorosłej

Tylko do użytku domowego

Tylko do stosowania na dworze

Pamiętaj, żeby niniejsze instrukcje zachować w bezpiecznym miejscu na przyszłość

ADVARSEL!

Minimum brugeralder 3 år
Maksimum brugervægt 50kgs
Ikke egnet til børn under 36 måneder - små dele, fare for kvælning
Skal samles af en voksen
Bør altid anvendes under opsyn af en voksen
Kun til hjemmebrug
Kun til udendørs brug
Husk at gemme disse vejledninger på et sikkert sted for fremtidig brug.

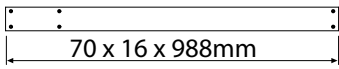
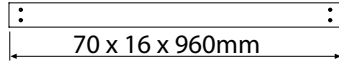
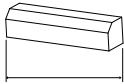
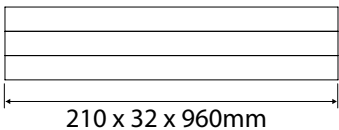
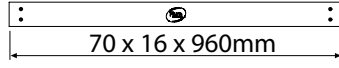
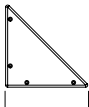
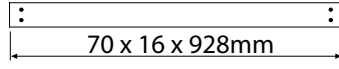
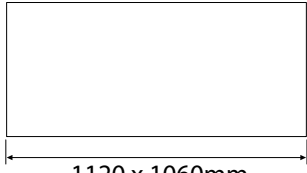
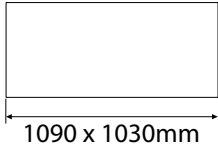
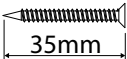
UYARI!

Minimum kullanıcı yaşı 3 yıl
Maksimum kullanıcı ağırlığı 50kgs
36 aylıktan küçük çocuklar için uygun değildir – küçük parçalar
Bir yetişkin tarafından monte etmesi gerekir
Her zaman yetişkin gözetimi önerilir
Yalnızca ev kullanımı için
Yalnızca dış mekan kullanımı
İleride bakabilmek için bu açıklamaları güvenli bir yerde saklamayı unutmayın

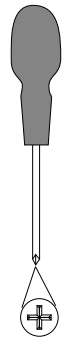
FIGYELMEZTETÉS!

Minimális felhasználók kora 3 év
Max. terhelhetőség 50kgs
Nem alkalmas 36 hónapnál fiatalabb gyerekek számára - apró részek
Felnőtt összeszerelése szükséges
Minden alkalommal egy felnőtt felügyelete mellett ajánlott
Csak otthoni használatra
Kültéri használatra
Ne feledje, hogy ezeket az utasításokat biztonságos helyen tartsa későbbi használat esetére

PARTS LIST

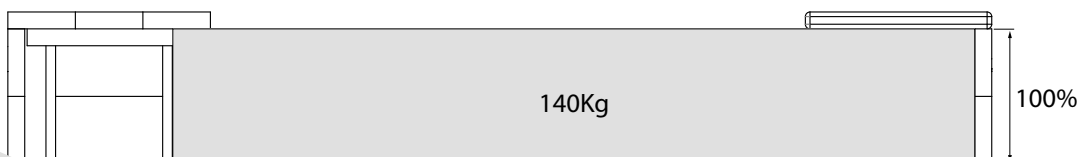
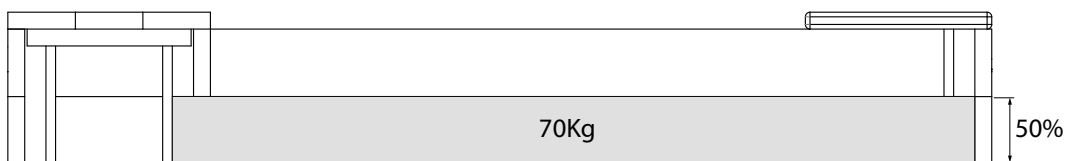
PART ID	DIMENSIONS WITH GRAPHIC	QUANTITY
D1573	 70 x 16 x 988mm	4
D1574	 70 x 16 x 960mm	2
D1575	 32x 32 x 140mm	6
D1578	 210 x 32 x 960mm	1
D1609	 70 x 16 x 960mm	2
D1610	 200 x 16 x 200mm	2
D1611	 70 x 16 x 928mm	2
D1581	 1120 x 1060mm	1
D1582	 1090 x 1030mm	1
M4x35mm	 35mm	56

**TOOL
REQUIRED:**

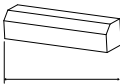


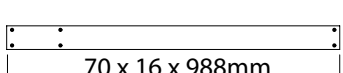
**POZI
(PZ2)**

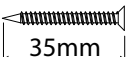
Sand not included:

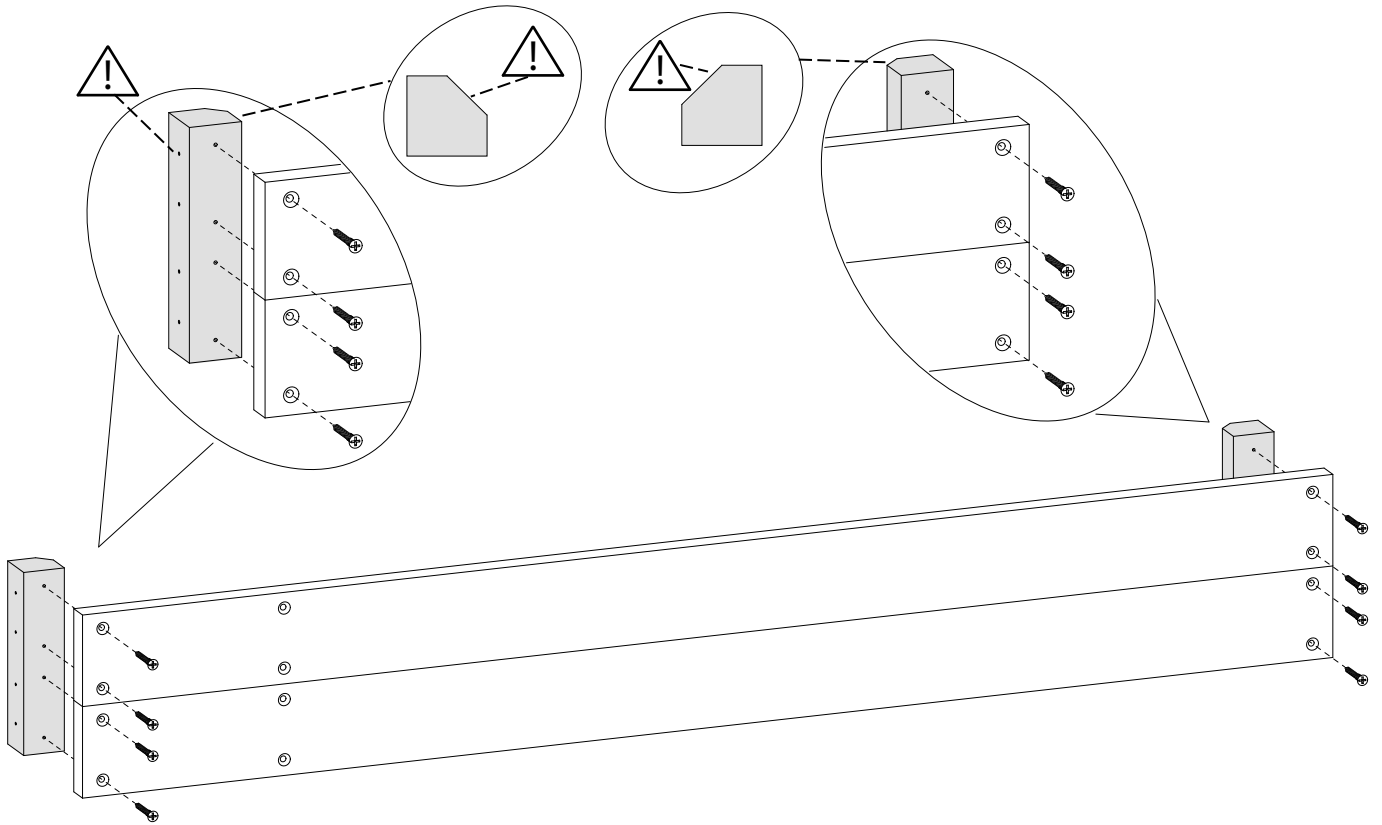


1

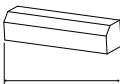
D1575  x2
32x 32 x 140mm

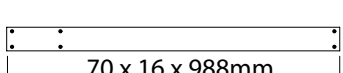
D1573  x2
70 x 16 x 988mm

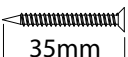
M4x35mm  x8
35mm

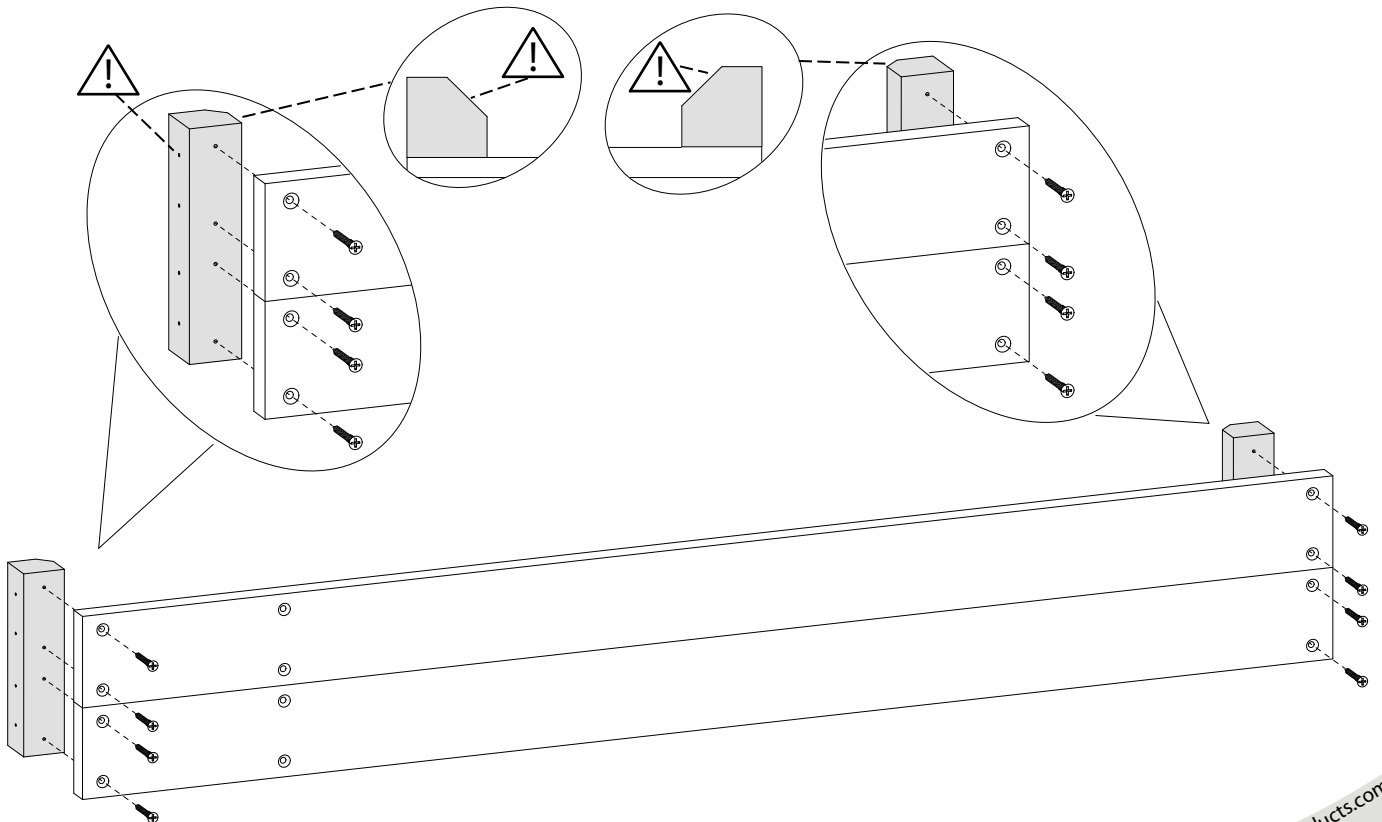


2

D1575  x2
32x 32 x 140mm

D1573  x2
70 x 16 x 988mm


M4x35mm  x8
35mm

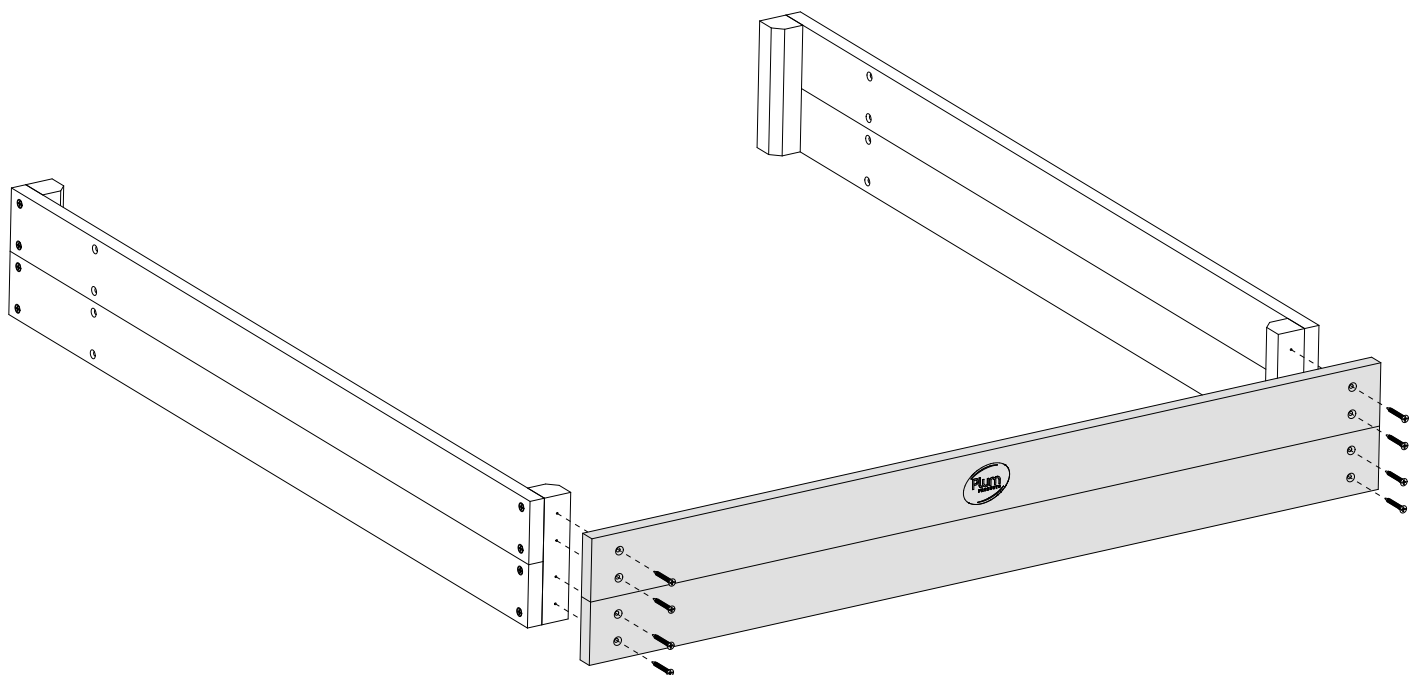


3

D1574 : : x1
70 x 16 x 960mm

D1609 : : x1
70 x 16 x 960mm


M4x35mm  x8
35mm

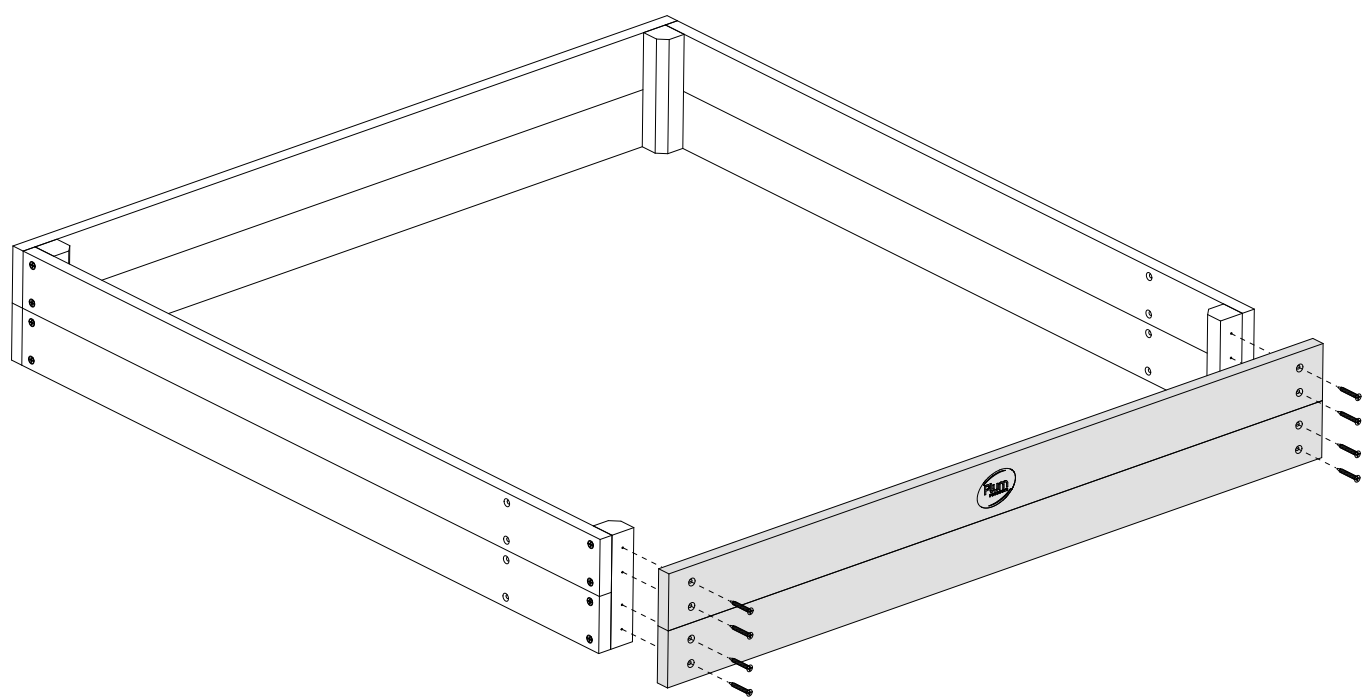


4

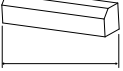
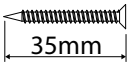
D1574 : : x1
70 x 16 x 960mm

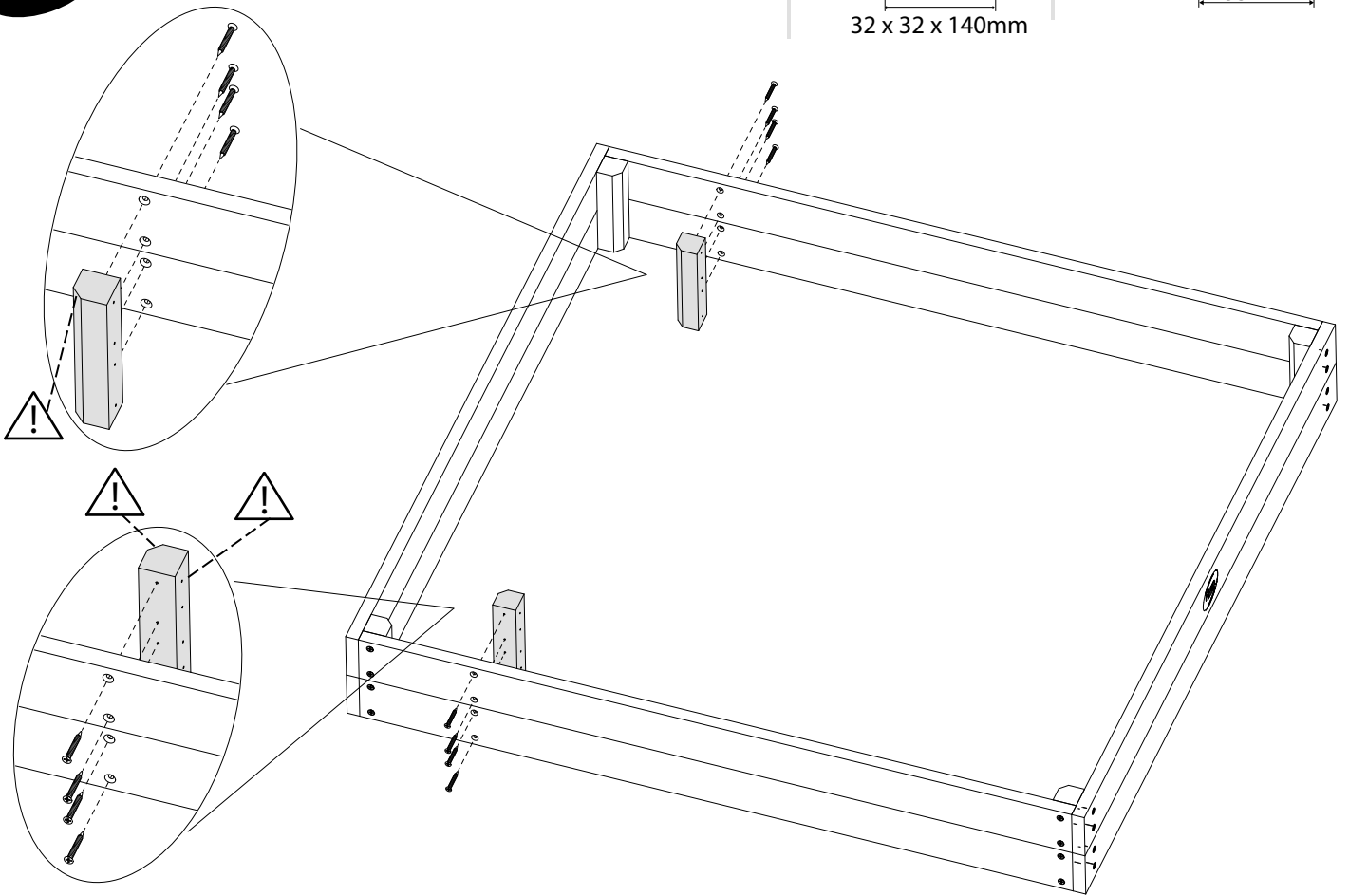
D1609 : : x1
70 x 16 x 960mm

M4x35mm  x8
35mm

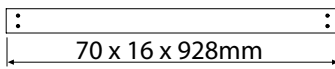
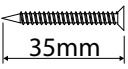


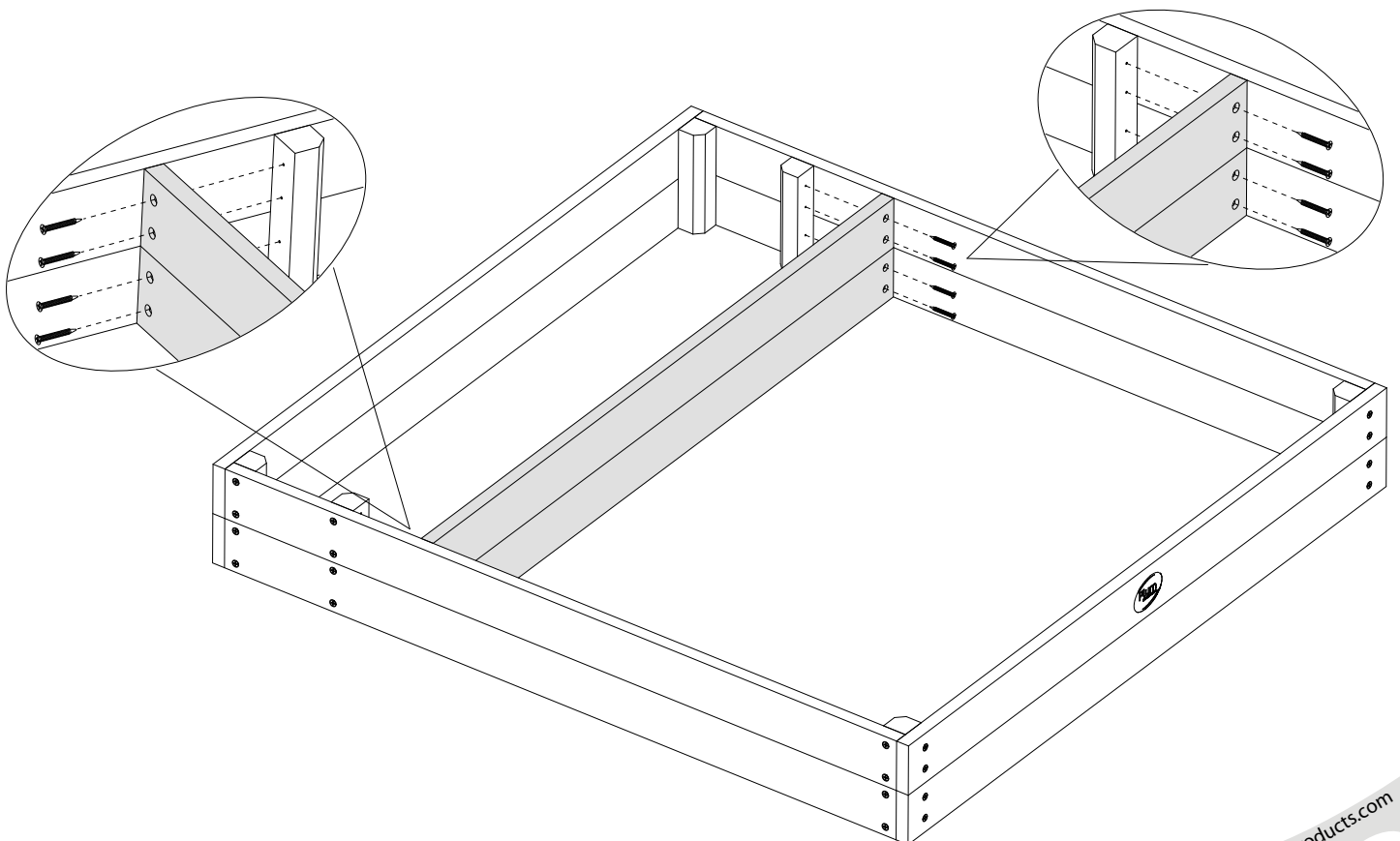
5

D1575  x2 | M4x35mm  x8
32 x 32 x 140mm | 35mm



6

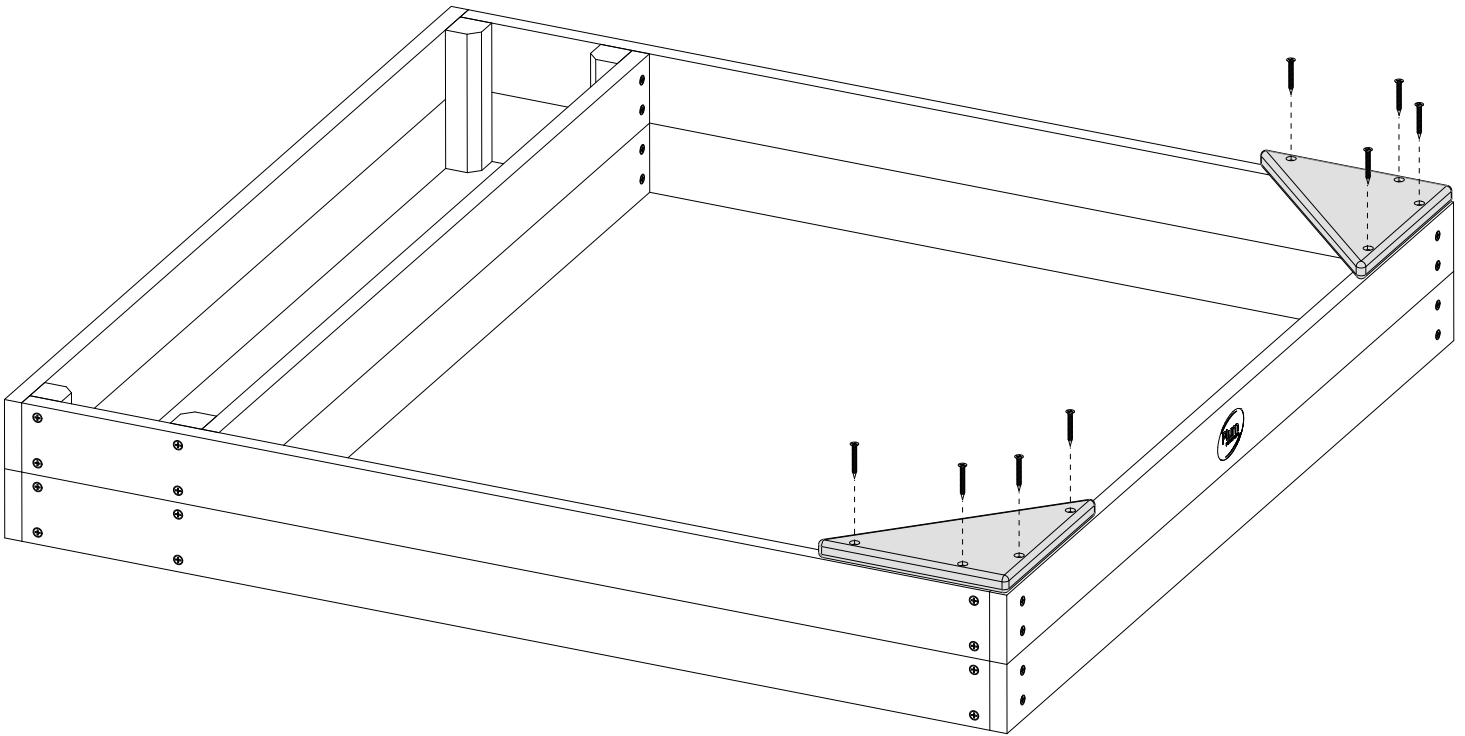
D1611  x2 | M4x35mm  x8
70 x 16 x 928mm | 35mm



7

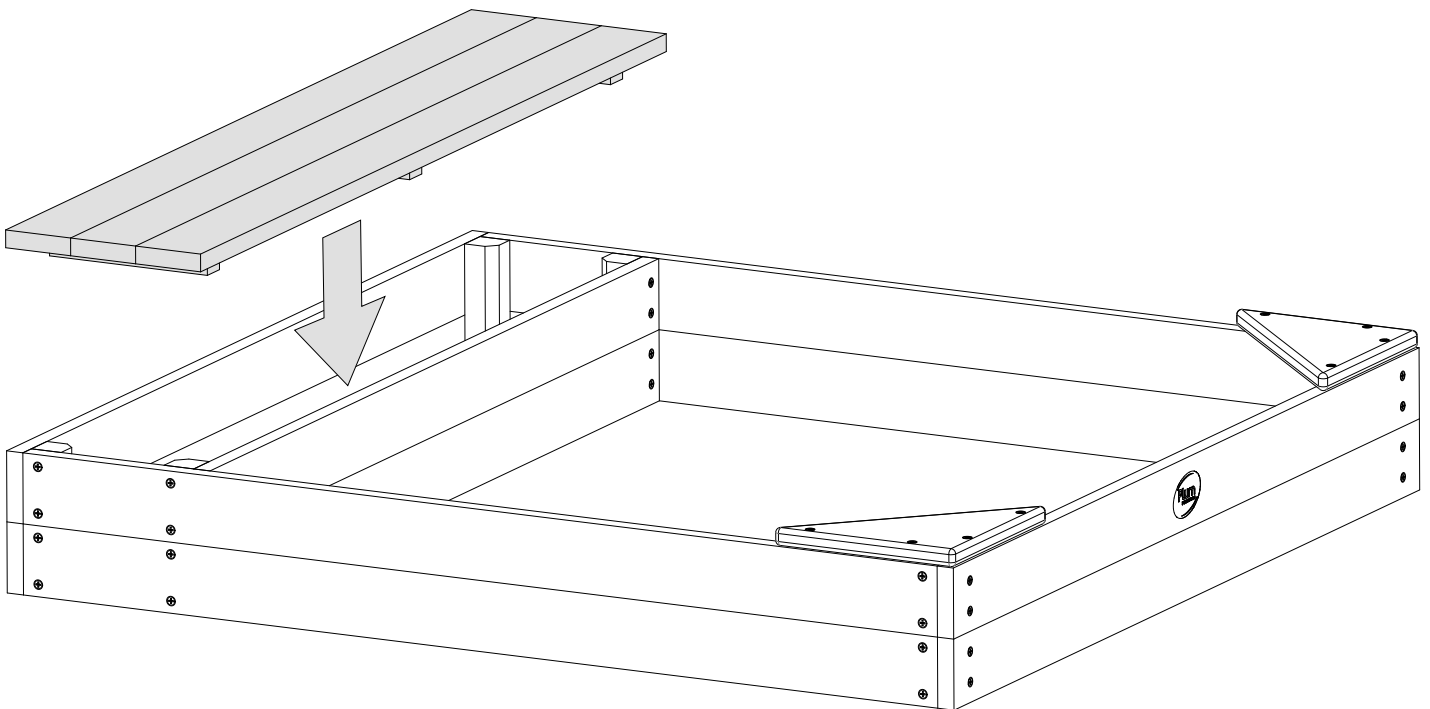
D1610 x2
200 x 16 x 200mm

M4x35mm x8
35mm



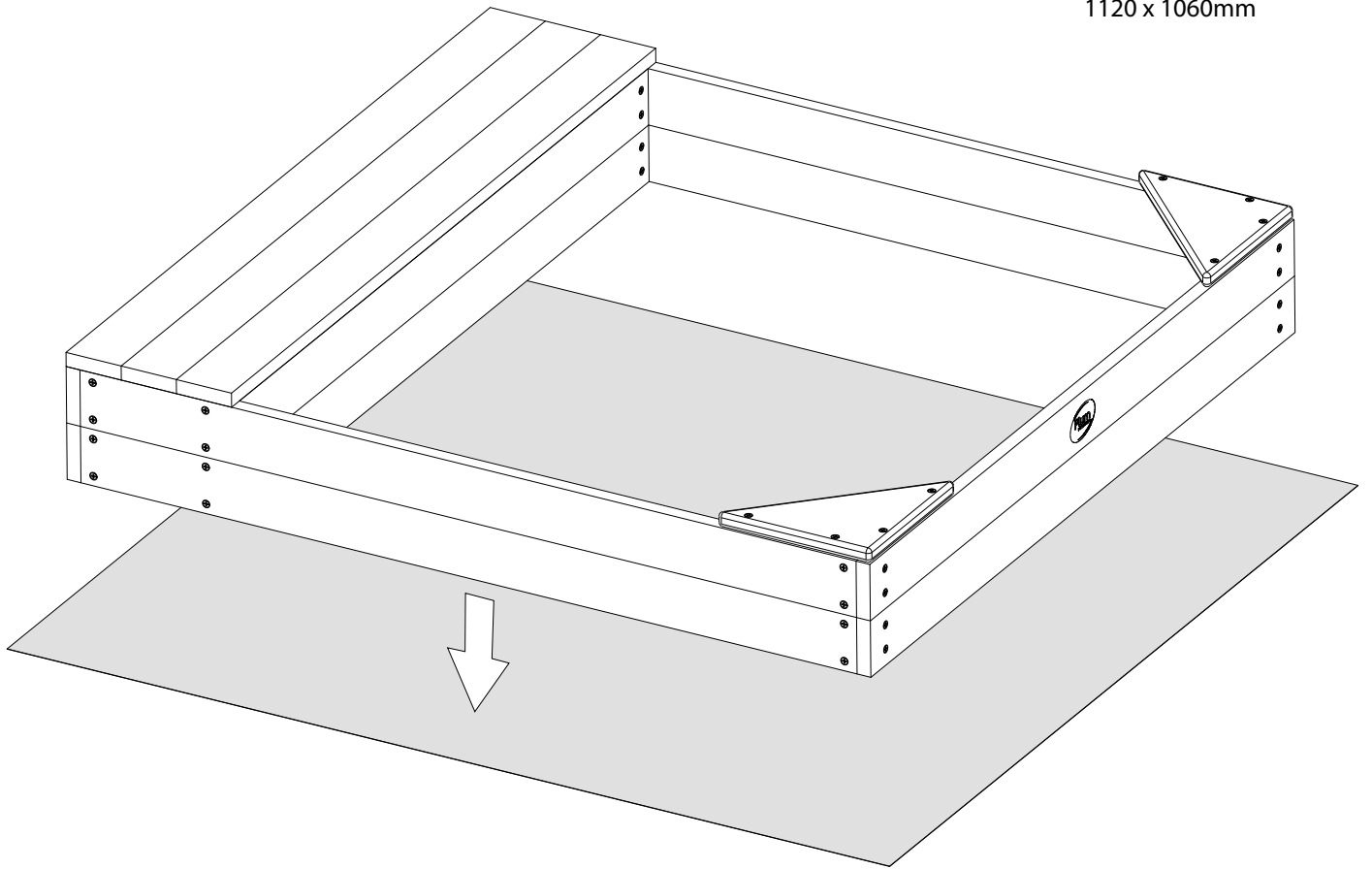
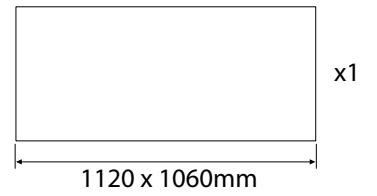
8

D1578 x1
210 x 32 x 960mm



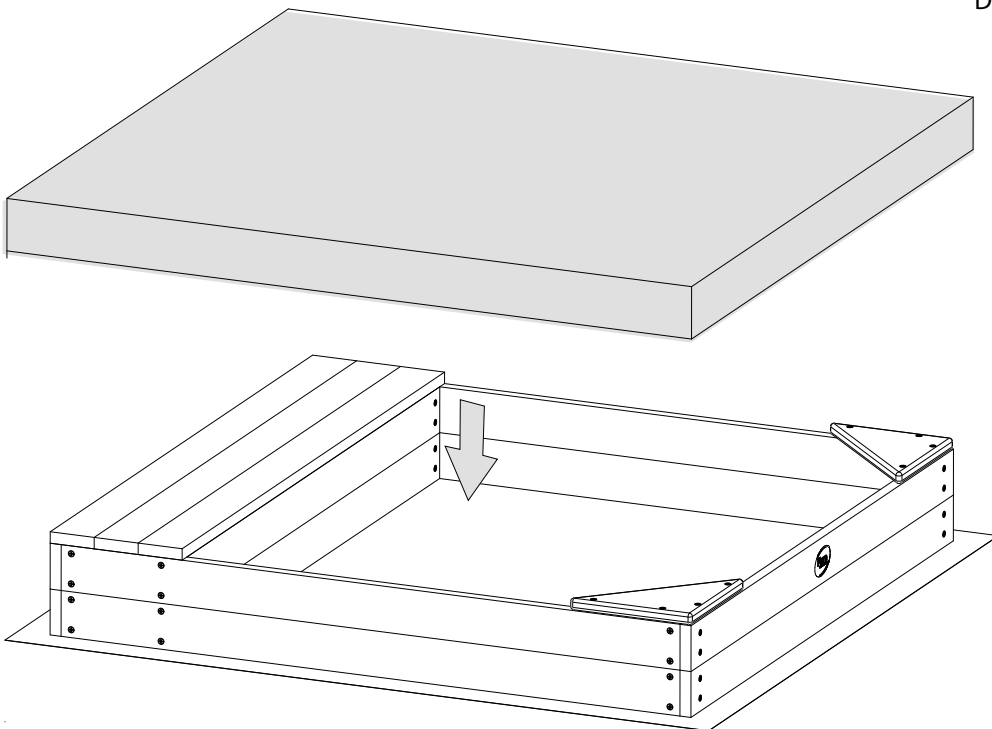
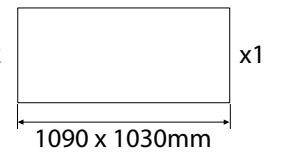
9

D1581



10

D1582



Thank you for purchasing a Plum Product. Product safety and customer satisfaction are our priorities and we value your opinion. If you could spare two minutes to complete the customer feedback survey at <http://www.plumproducts.com/feedback> we would appreciate it.