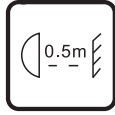
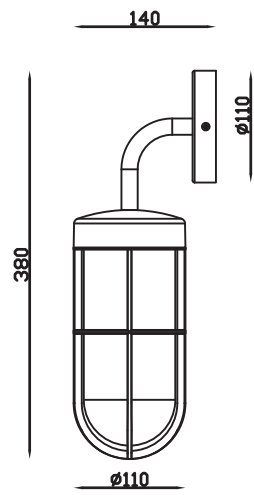
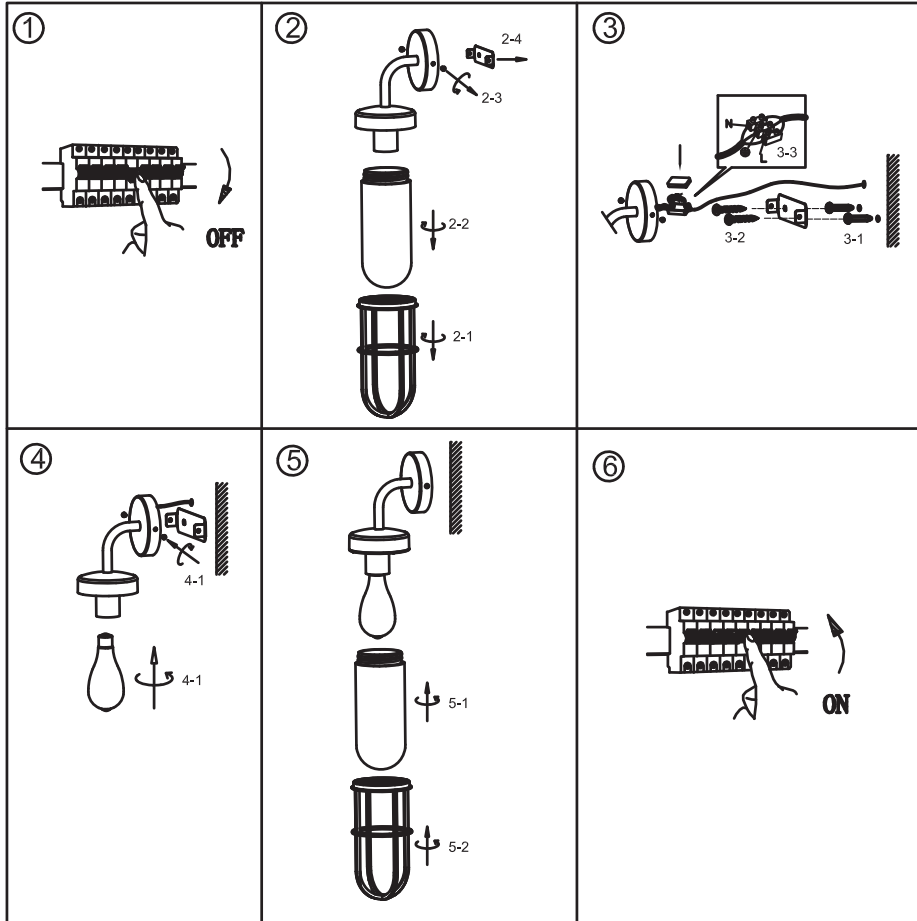


# INSTRUCTION MANUAL



Elza WL Black  
97205



QAZQA