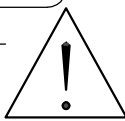
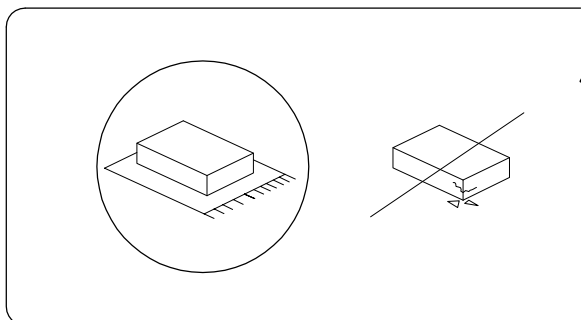
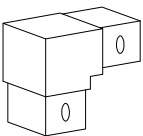

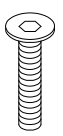


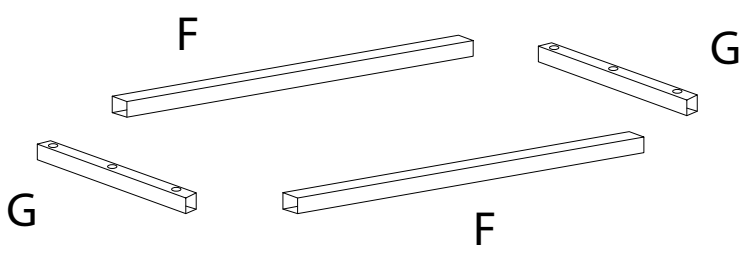
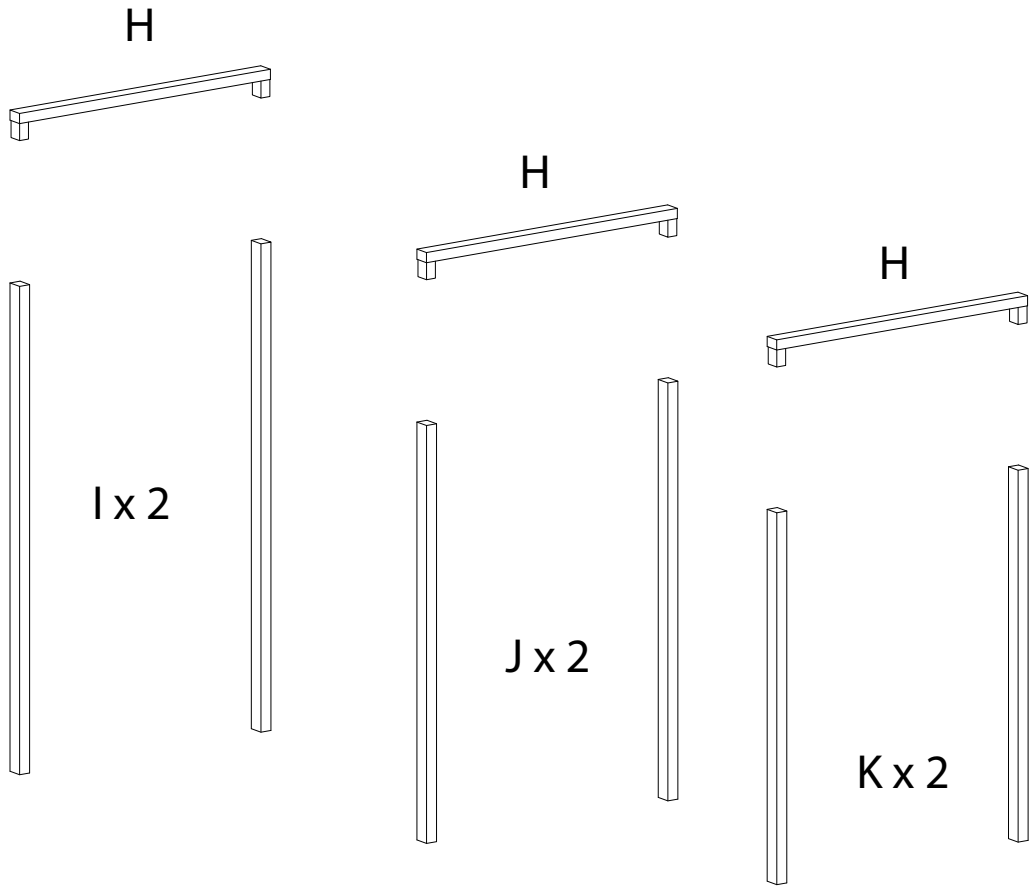
10'



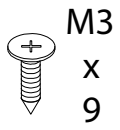
1

1/5

<p><b>A</b></p>  <p><b>x 4</b></p>	<p><b>B</b></p>  <p><b>x 4</b></p>	<p><b>C</b></p>  <p>M6 x 34</p> <p><b>x 6</b></p>
---------------------------------------------------------------------------------------------------------------------	---------------------------------------------------------------------------------------------------------------------	----------------------------------------------------------------------------------------------------------------------------------------------

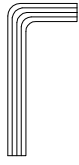


D



x 6

E



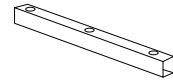
x 1

F



x 2

G



x 2

H



x 3

I



x 2

J



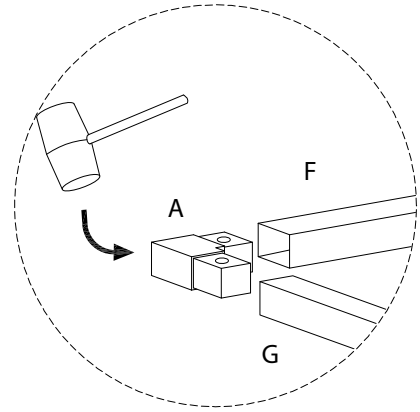
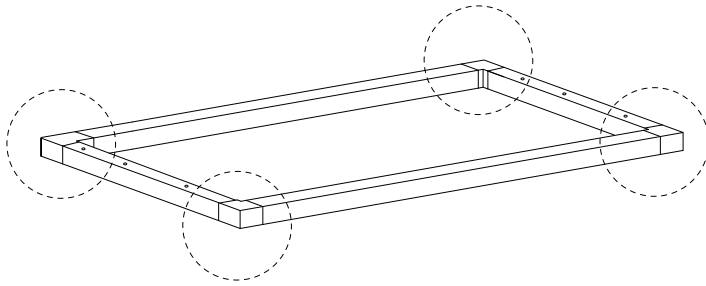
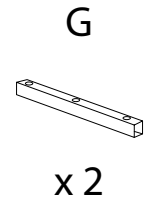
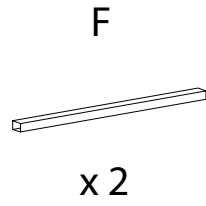
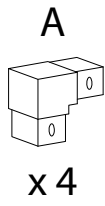
x 2

K

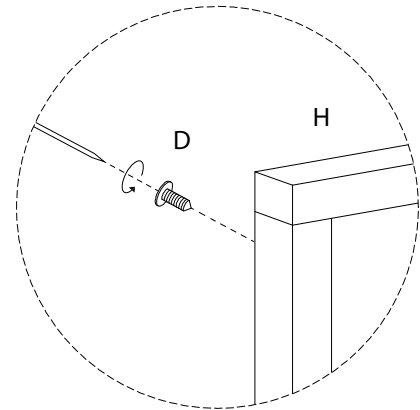
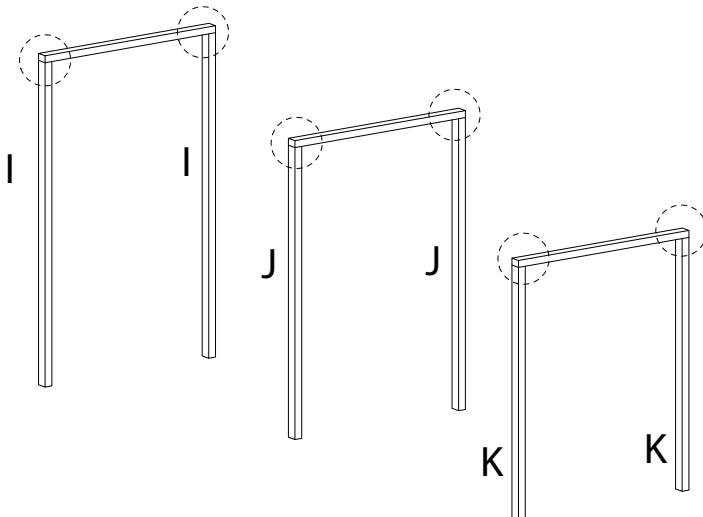
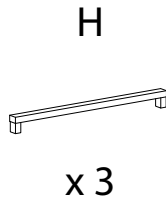
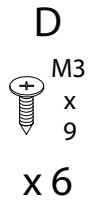


x 2

1



2



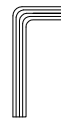
3

C

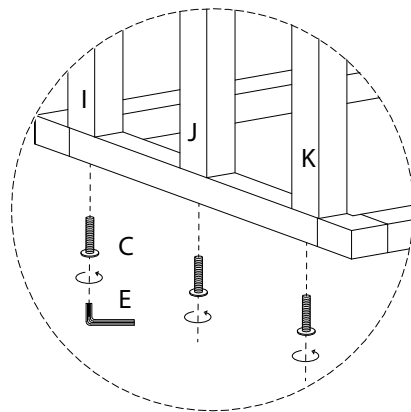
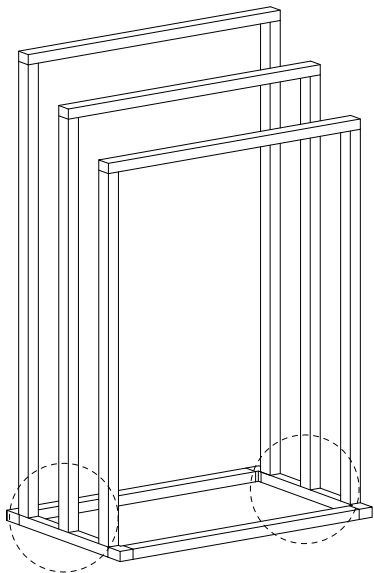


x 6

E



x 1



4

B



x 4

