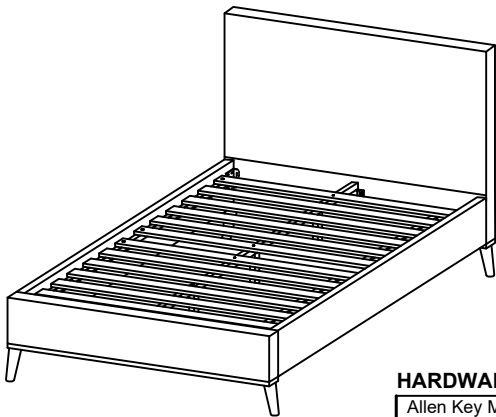
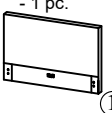
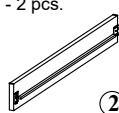
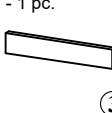
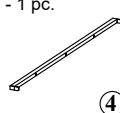




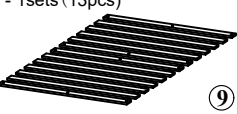


# ASSEMBLY INSTRUCTIONS





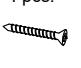
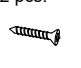
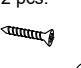
## MODEL : 4900,4901/4904,4905/13015,13016 / 13023,13024



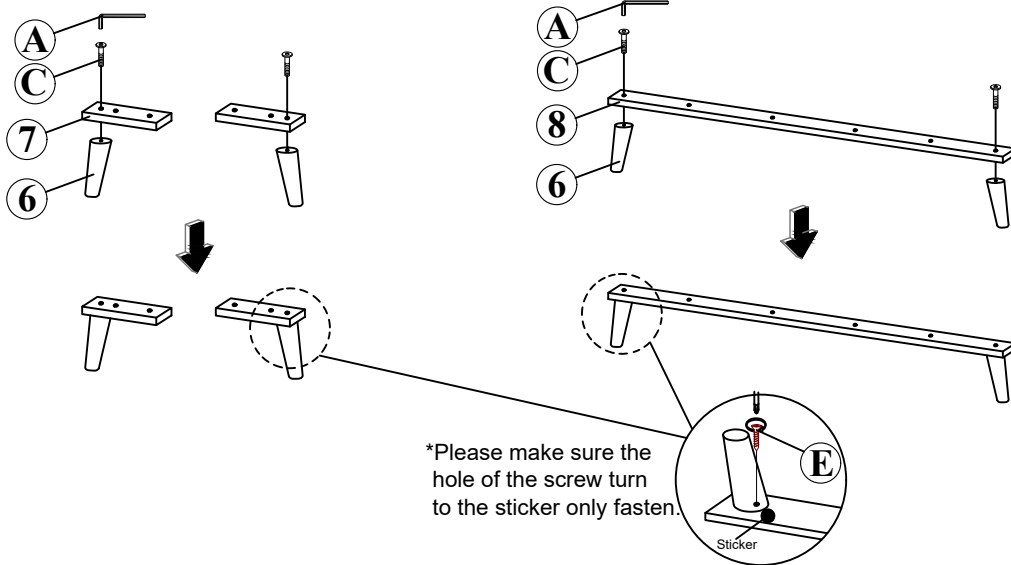
### COMPONENT

<b>Headboard</b> - 1 pc.  ①	<b>Side Rail</b> - 2 pcs.  ②	<b>Footboard</b> - 1 pc.  ③	<b>Center Rail</b> - 1 pc.  ④	<b>Center Support Leg</b> - 3 pcs.  ⑤	<b>Bed Leg</b> - 4 pcs.  ⑥
<b>Headboard Wooden</b> - 2 pcs.  ⑦	<b>Footboard Wooden</b> - 1 pc.  ⑧	<b>Bed Slats</b> - 1sets (13pcs)  ⑨			

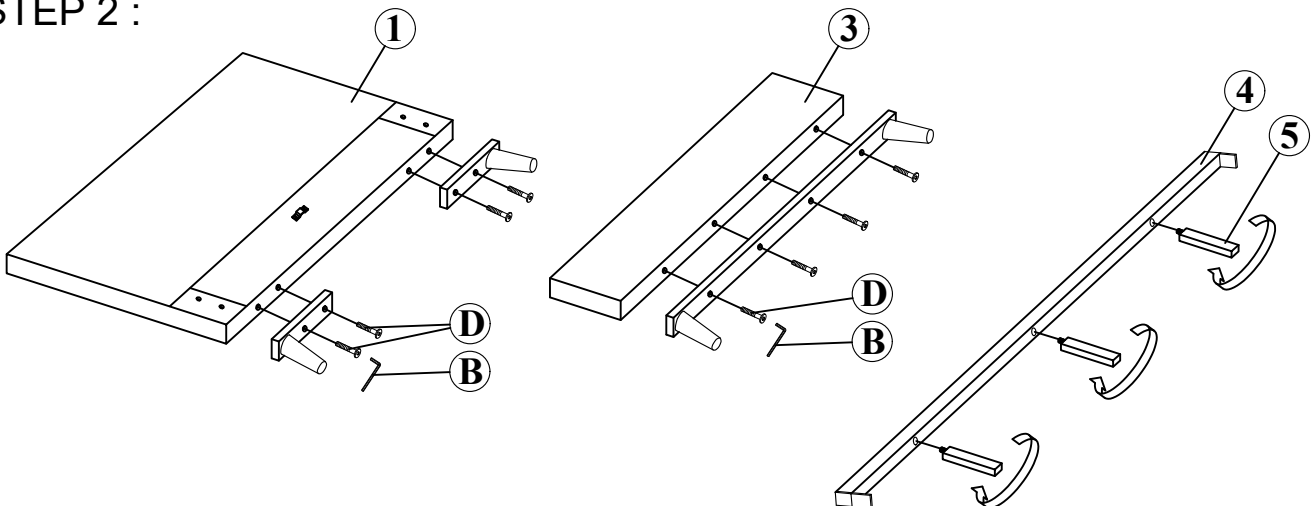
### HARDWARE

<b>Allen Key M5</b> - 1 pc.  ①	<b>Allen Key M4</b> - 1 pc.  ②	<b>JCBB Bolt</b> M8 x 35mm - 4 pcs.  ③	<b>JCBB Bolt</b> M6 x 35mm - 8 pcs.  ④	<b>Wood Screw</b> M4 x 40mm - 4 pcs.  ⑤	<b>Wood Screw</b> M4 x 20mm - 2 pcs.  ⑥	<b>Wood Screw</b> M4 x 25mm - 12 pcs.  ⑦
---	---	--	--	---	---	--

### STEP 1 :



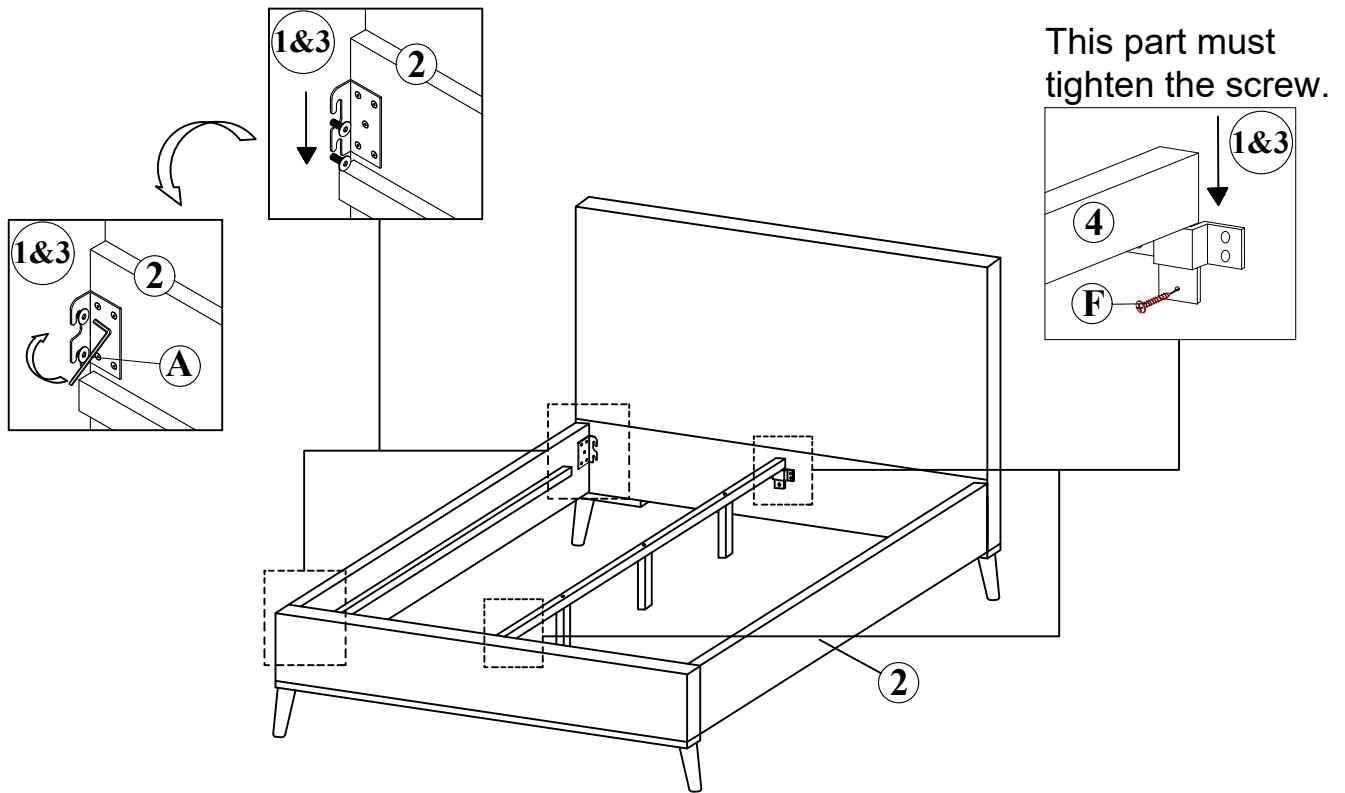
### STEP 2 :



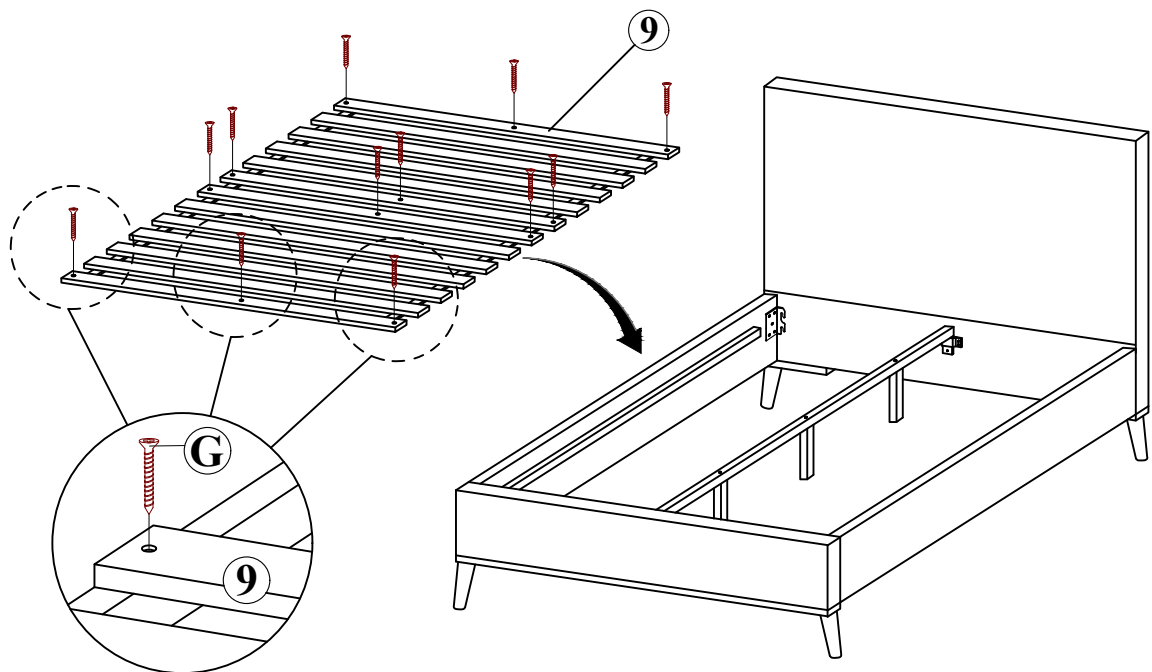
# ASSEMBLY INSTRUCTIONS

MODEL : 4900,4901/4904,4905/13015,13016 / 13023,13024

## STEP 3 :



## STEP 4 :



**\*IMPORTANT\***Please lift up the bed to move with 2 or more people.**DO NOT DRAG THE BED!**