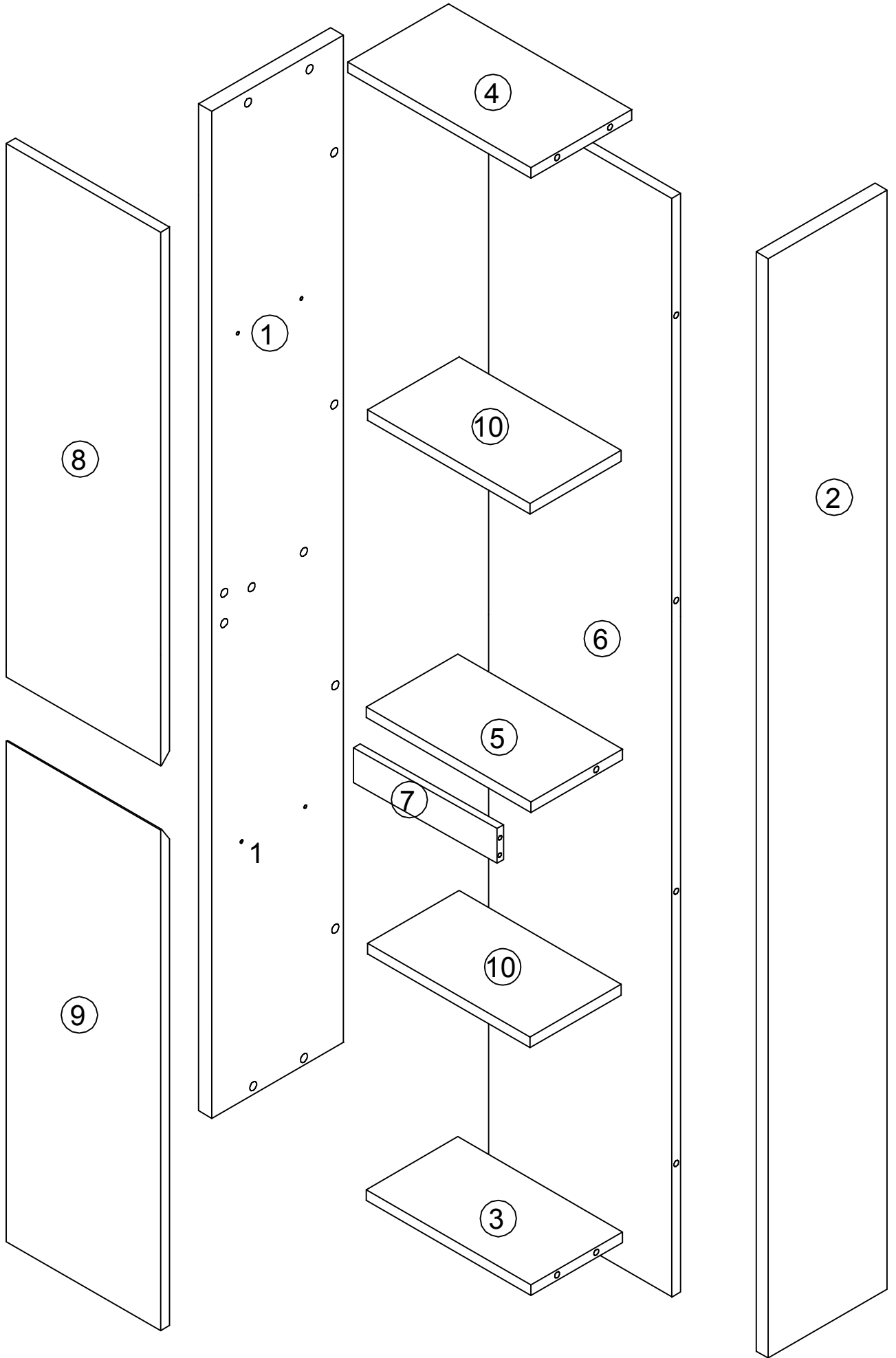





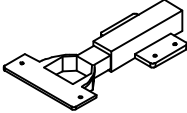







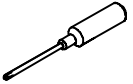
— INSTRUCTION MANUAL —

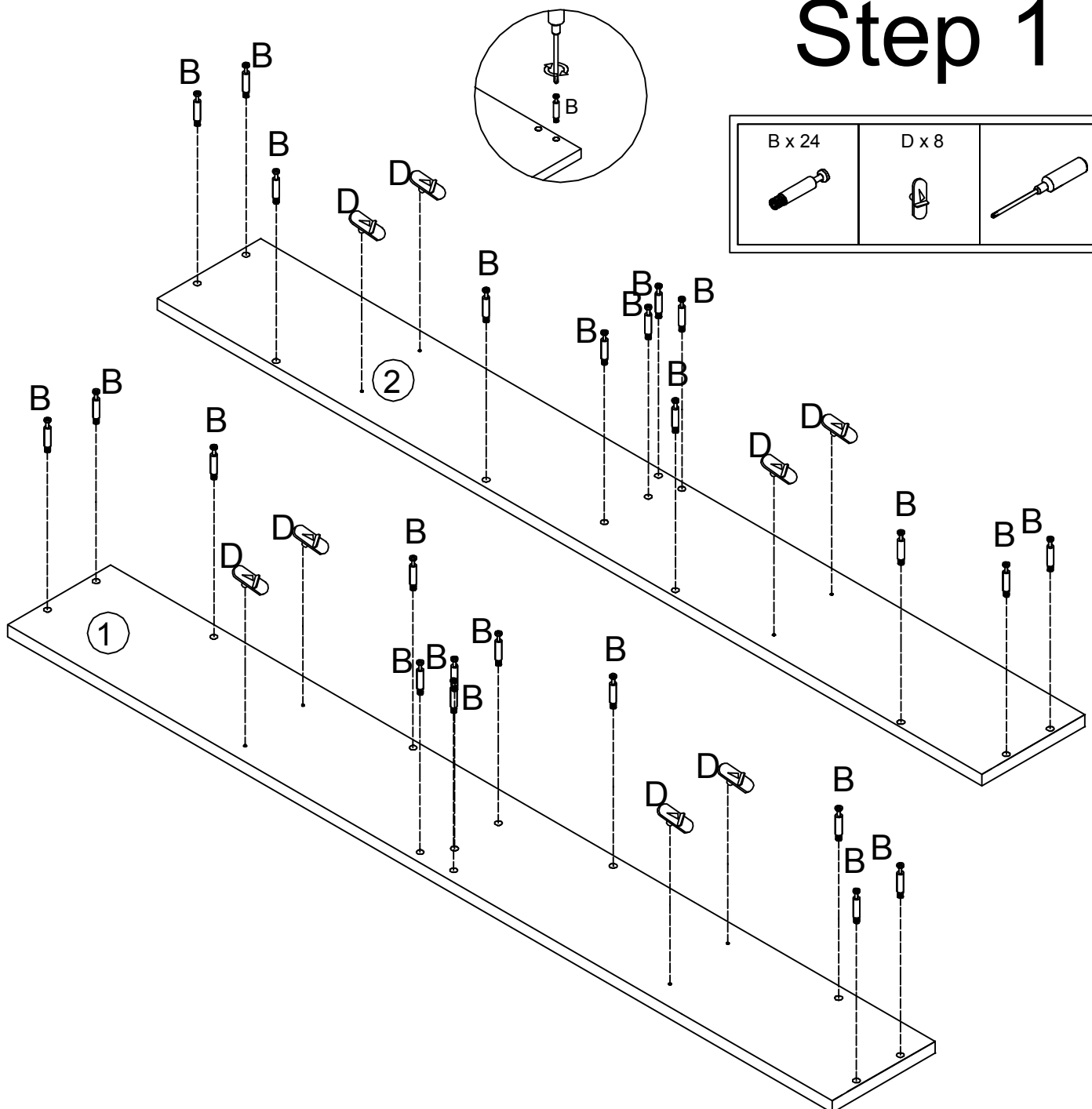


List of Hardware fittings

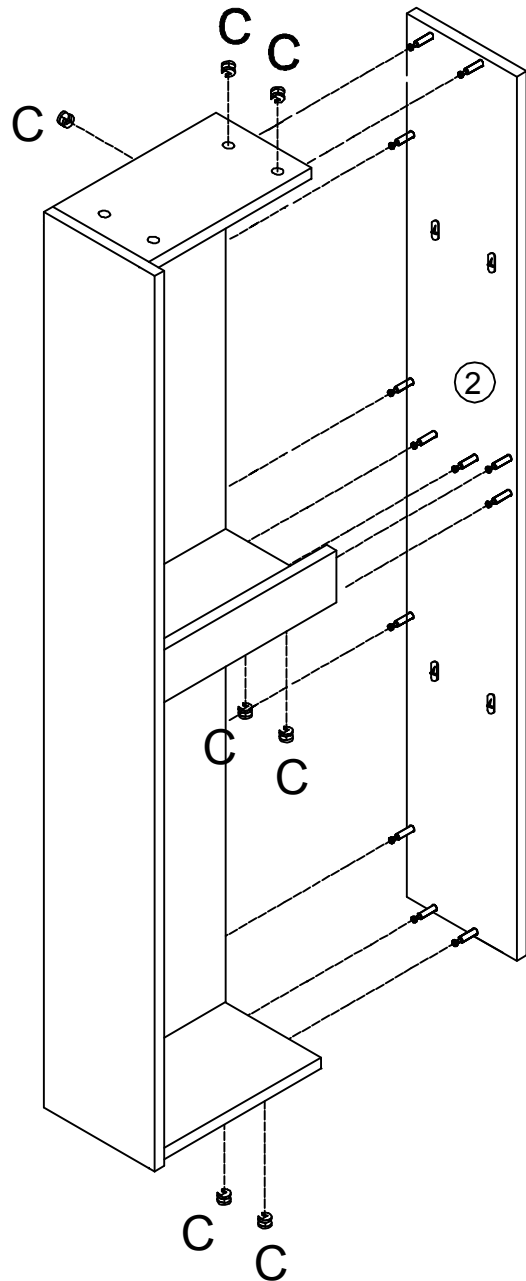
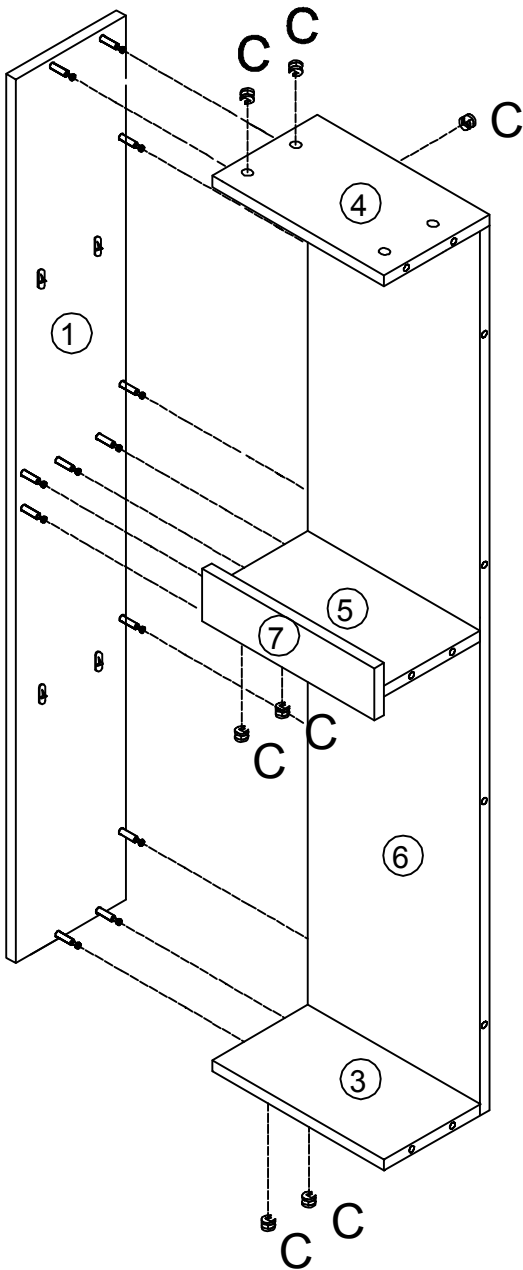
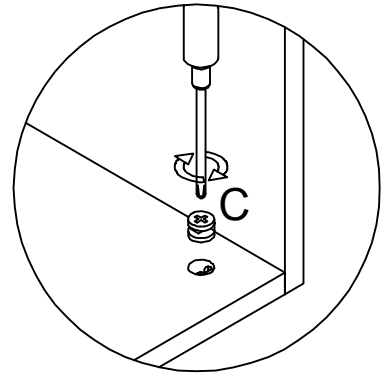
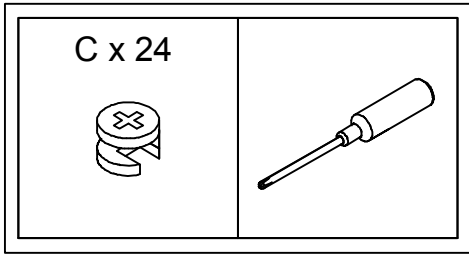
B x 24 	C x 24 	D x 8 	E x 2  50 mm	F x 2  8 mm
G x 4 	I x 24  14 mm	L x 2 	M x 2  Cap	

Step 1

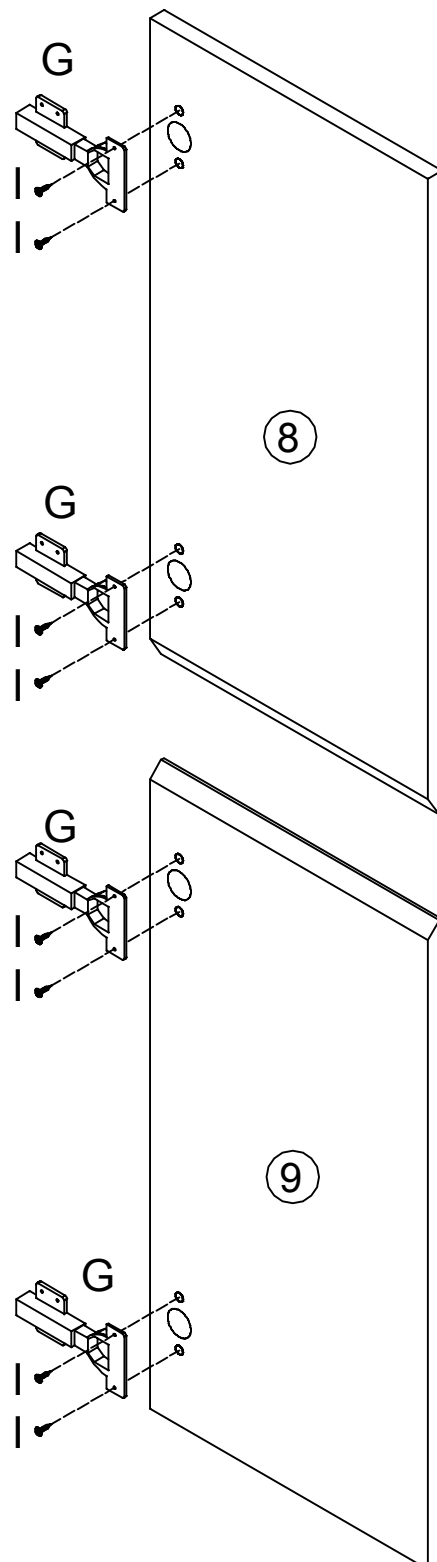
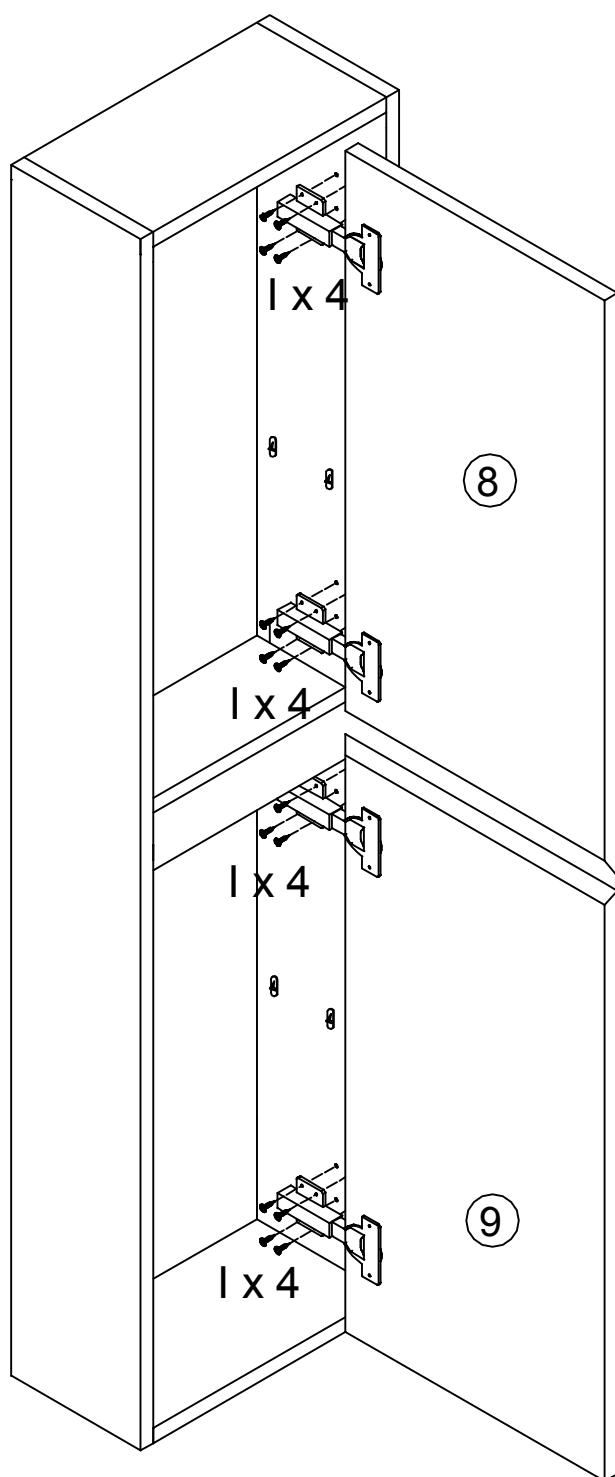
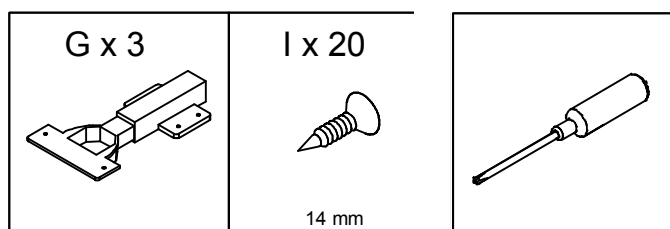
B x 24 	D x 8 	
------------------------------------------------------------------------------------------------	-----------------------------------------------------------------------------------------------	--------------------------------------------------------------------------------------



Step 2



Step 3



Step 4

