

MICRO FUSES



10 PCS

 Set 10 microfusibili, amperaggi assortiti

 Automotive plug-in fuses

 Assortiment de 10 fusibles à lames

 Sicherungen-set

 Cartulina fusibles surtidos

 Automotive zekeringen set op kaart

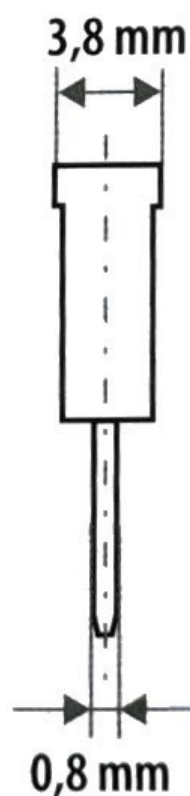
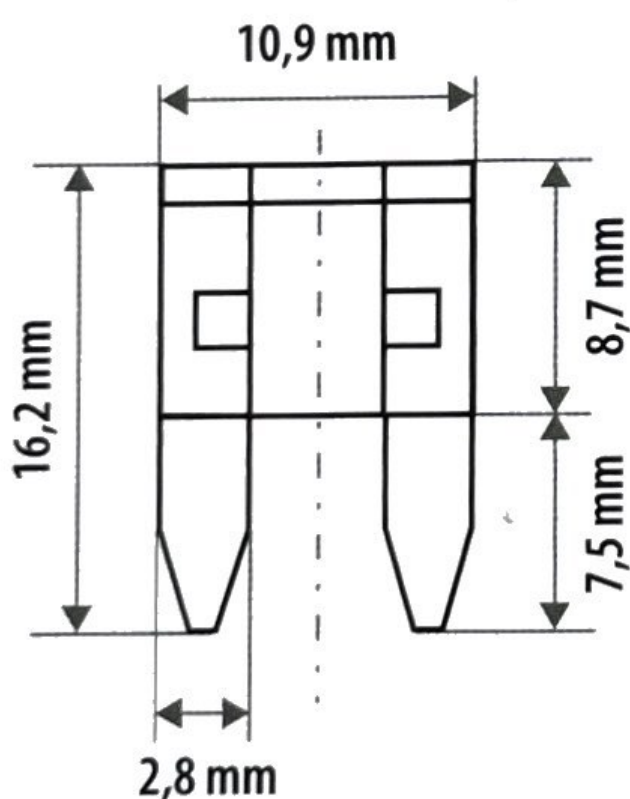
 Conjunto de 10 peças com amperagens variadas

 Komplet osigurača

 Avtomobilske varovalke

 Sada pojistek

 Hengeres biztosíték szett



Lot. N° 47304

Made in China

BLISTER	VALVA
PAP21	PVC3
Carta	Plastica
RACCOLTA DIFFERENZIATA	
Verifica le disposizioni del tuo Comune	

© LAMPA SPA 2013/2022

Art. 70085



8 000692 700853

LAMPA

LAMPA S.p.A.
Via G. Rossa, 53/55
46019 Viadana (MN) ITALY
Tel. +39 0375 820700
UNI EN ISO 9001:2015
Certified Company
www.lampa.it