

# home

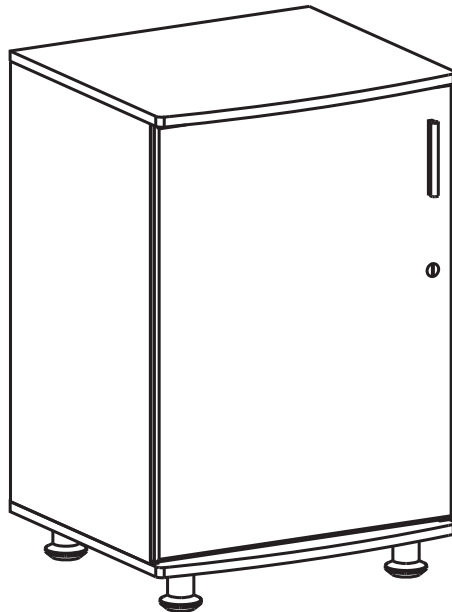
for quality home and office furniture

## piranha® BOWFIN ASSEMBLY INSTRUCTIONS

Please read this guide carefully and check that you have all parts before you begin assembly. As a thank you for your purchase, we would like to offer you a 10% discount\* off our range of matching furniture on [www.homeinonline.com](http://www.homeinonline.com) with voucher code **10%MATCH**.

### Need help with your item or unhappy?

If you have **ANY** questions, please do not hesitate to email us on [info@homeinonline.com](mailto:info@homeinonline.com) and we will do our very best to help. You can also contact us via our website [www.homeinonline.com](http://www.homeinonline.com)



**TWO PEOPLE RECOMMENDED**

**PC4 (BOWFIN)**

#### **General Care:**

Keep furniture out of direct sunlight. Use mats and coasters to protect surfaces.  
Do not place hot or wet items directly onto unprotected surfaces.

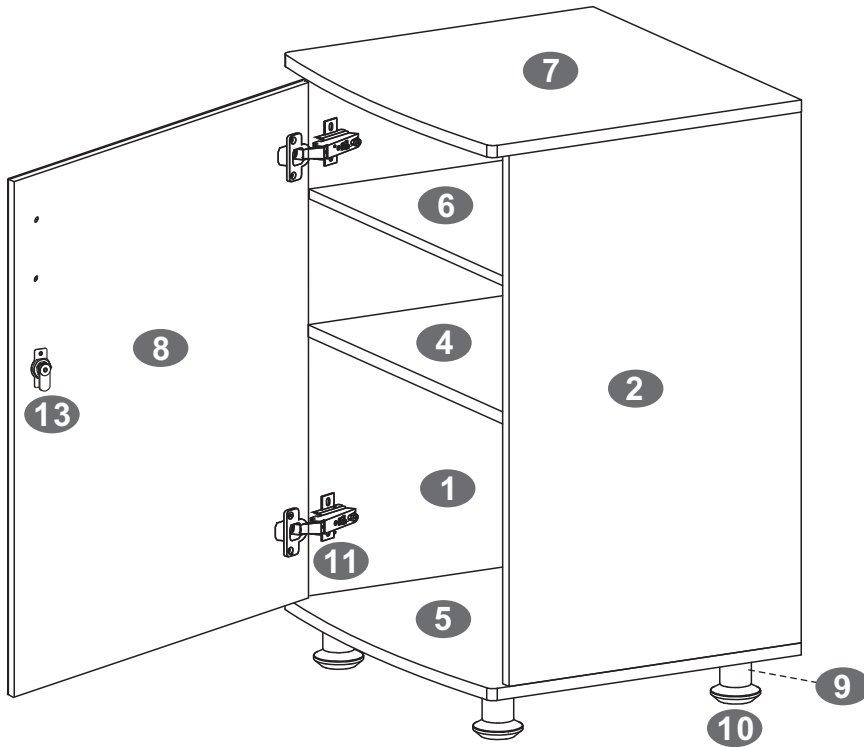
#### **Cleaning:**

Wipe surfaces with a clean damp (not wet) cloth then dry with a clean lint free cotton cloth.  
Glass surfaces may be polished with window or other glass cleaning liquids.

**Please retain cartons until assembled as goods MUST be returned in original packaging.**



▀ PARTS LIST



 X1	 X1	 X1	 X1
 X1	 X1	 X1	 X1
 X4	 X4	 X2	 X1
 X1			

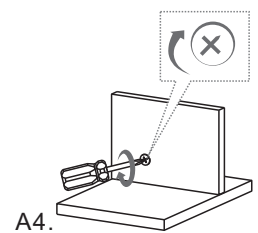
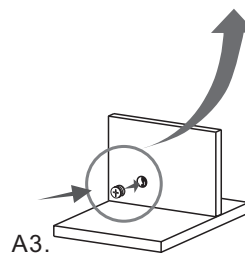
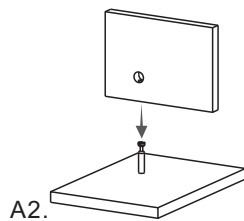
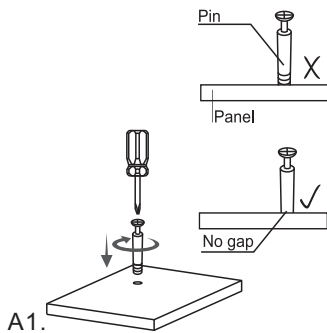
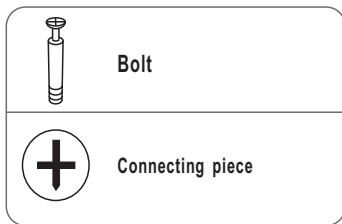


### ▪SCREWS LIST

PART	QTY.	ITEM	
<b>A</b>	5	6X25 MM	
<b>B</b>	8	6X40 MM	
<b>C</b>	16	4X14 MM	
<b>D</b>	7	5X40 MM	
<b>E</b>	4	Φ5X17 MM	
<b>F</b>	8	4X16 MM	

PART	QTY.	ITEM	
<b>G</b>	2	4X20 MM	
<b>H</b>	2	3X15 MM	
<b>I</b>	8	Φ 15 MM	
<b>J</b>	5	Φ 12 MM	
<b>K</b>	12	8X30 MM	
	1		

### 6X25MM & 6x40MM BOLT INSTALLATION AS BELOW:



ASSEMBLY STEPS:

**1**

**SCREWS**

- A** 6X25 MM X2
- J**  $\Phi$  12 MM X2

**2**

**SCREWS**

- B** 6X40 MM X2
- I**  $\Phi$  15 MM X2
- K** 8X30 MM X2

**3**

**SCREWS**

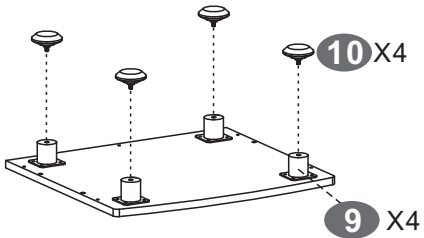
- B** 6X40 MM X2
- I**  $\Phi$  15 MM X2
- K** 8X30 MM X2
- A** 6X25 MM X2
- J**  $\Phi$  12 MM X2

**4**

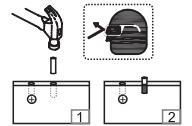
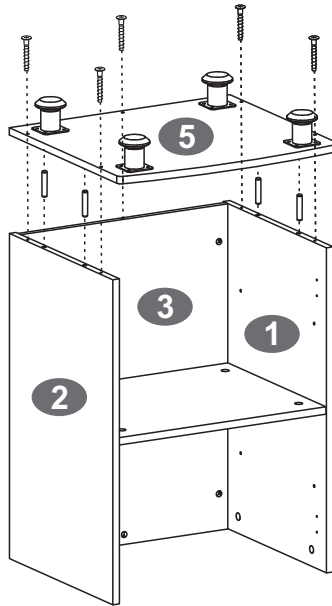
**SCREWS**

- C** 4X14 MM X16
- 9** X4

5



6



■ SCREWS

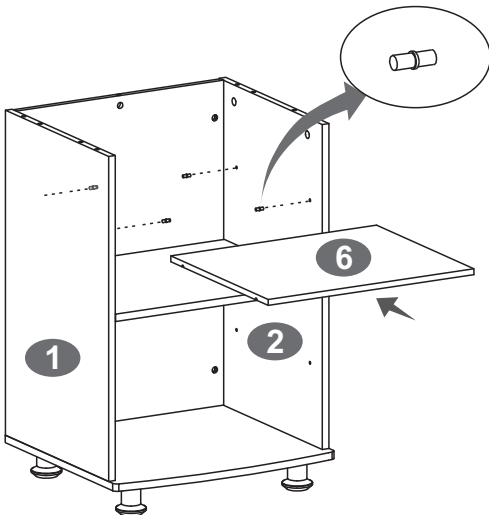
**D** 5X40 MM

X5

**K** 8X30 MM

X4

7

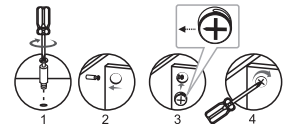
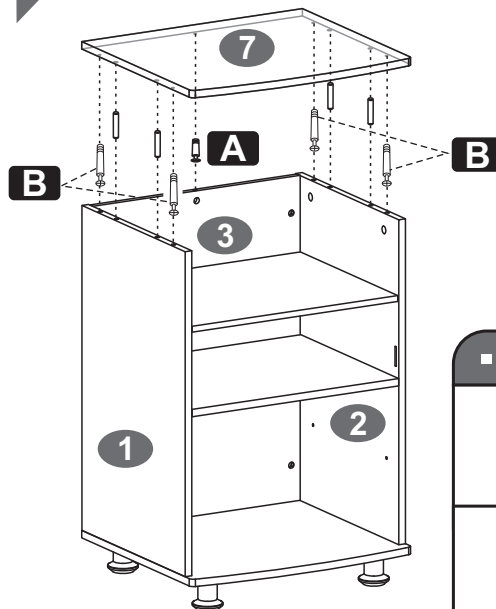


■ SCREWS

**E**  $\Phi$ 5X17 MM

X4

8



■ SCREWS

**B** 6X40 MM

X4

**I**  $\Phi$ 15 MM

X4

**K** 8X30 MM

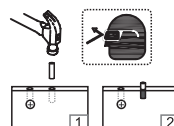
X4

**A** 6X25 MM

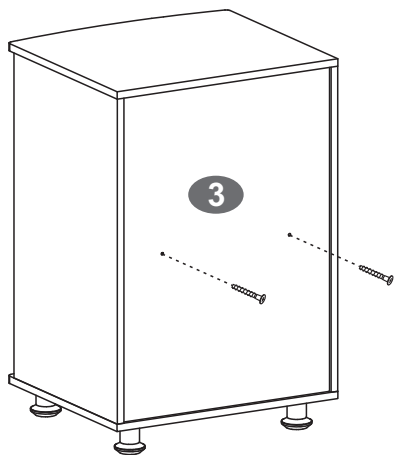
X1

**J**  $\Phi$ 12 MM

X1



9



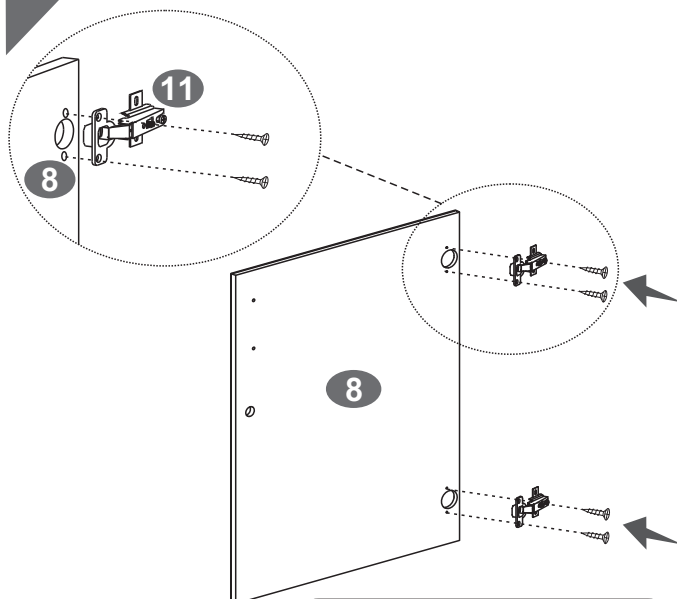
■ SCREWS

**D** 5X40 MM

 X2



10



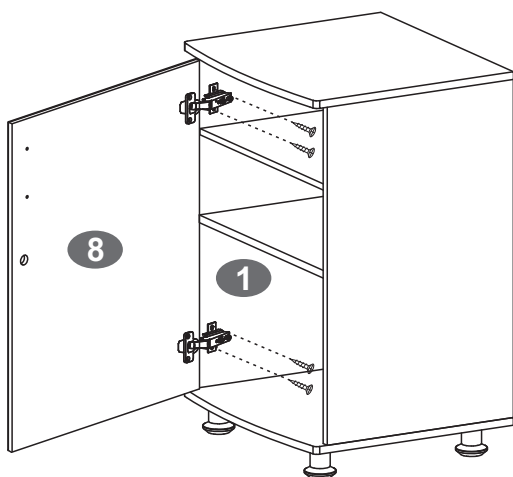
■ SCREWS

**F** 4X16 MM

 X4



11



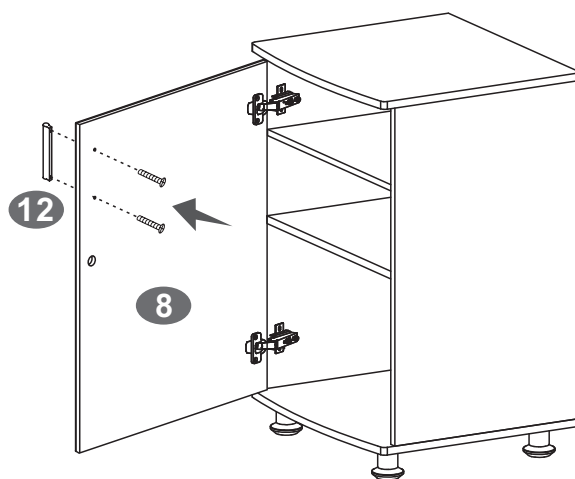
■ SCREWS

**F** 4X16 MM

 X4



12



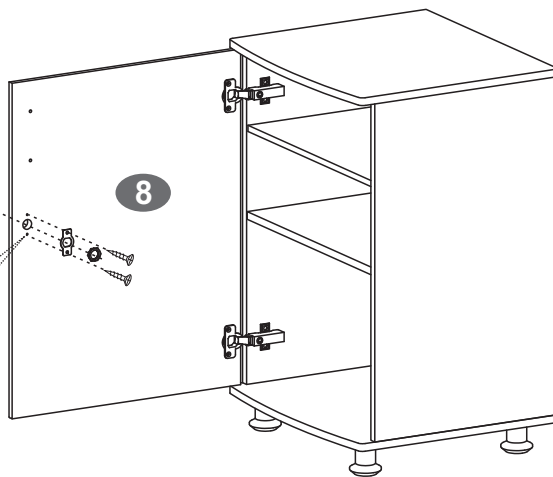
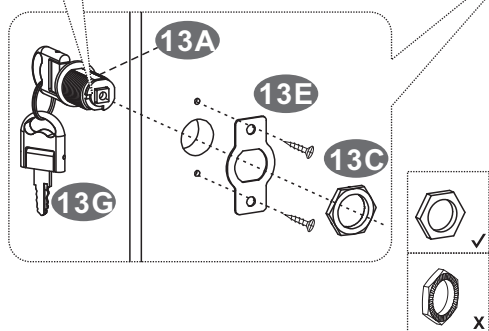
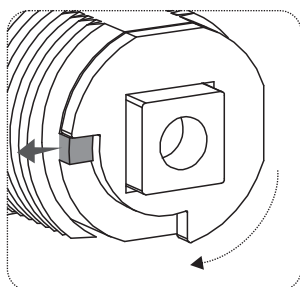
■ SCREWS

**G** 4X20 MM

 X2




13



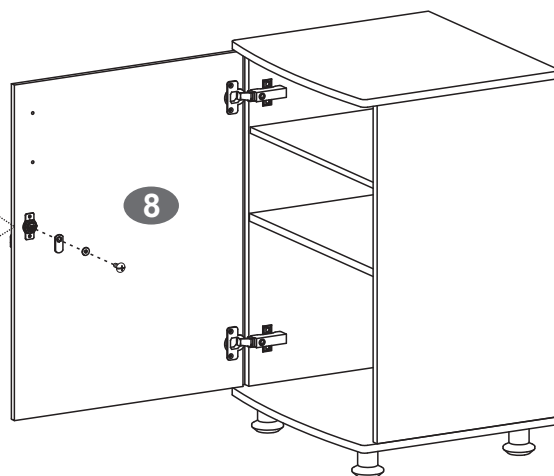
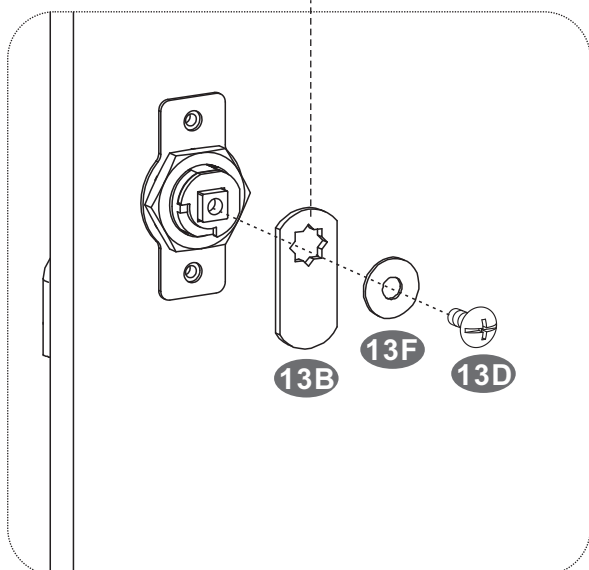
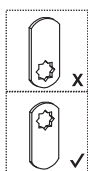
**SCREWS**

**H** 3X15 MM

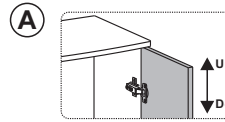
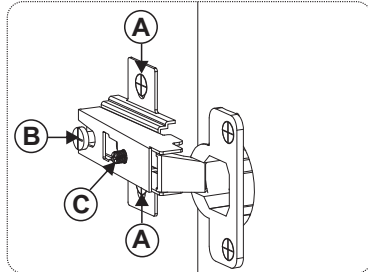
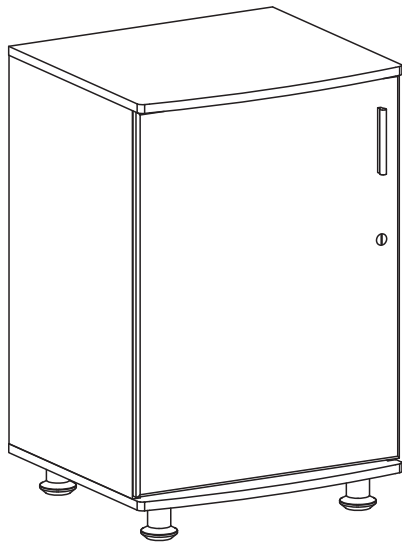
X2



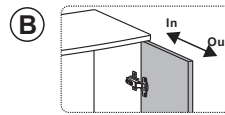
14



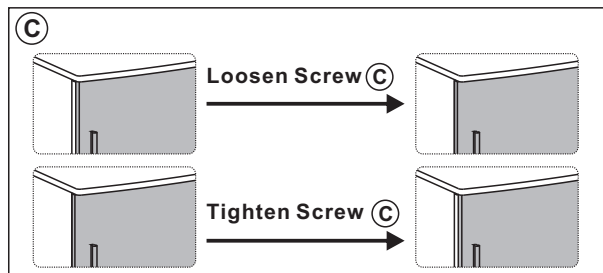
15



loosen screws A, adjust location of Screw A to move up and down of door



Tighten/loosen Screw B to adjust the gap between door and cabinet side panel



Tighten/loosen Screw C to adjust the gap of the door

16

