

# VERMEIREN

## Quadri-Light

INSTRUCTION MANUAL  
MODE D'EMPLOI  
GEBRUIKSAANWIJZING  
GEBRAUCHSANWEISUNG  
ISTRUZIONI PER L'USO  
MANUAL DE INSTRUCCIONES  
INSTRUKCJA OBSŁUGI





### **Instructions to the specialist dealer**

This instruction manual is part and parcel of the product and must accompany every product sold.

Version: B, 2014-10

All rights reserved, including translation.

No part of this manual may be reproduced in any form what so ever (print, photocopy, microfilm or any other process) without written permission of the publisher, or processed, duplicated or distributed by using electronic systems.

© N.V. Vermeiren N.V. 2014



### **Instructions pour les distributeurs**

Ce manuel d'instructions fait partie du produit et doit accompagner chaque produit vendu.

Version : B, 2014-10

Tous droits réservés, y compris la traduction.

Aucune partie de ce manuel ne peut être reproduite, sous quelque forme que ce soit (imprimée, photocopie, microfilm ou tout autre procédé) sans l'autorisation écrite du publicateur, ni traitée, dupliquée ou distribuée à l'aide de systèmes électroniques.

© N.V. Vermeiren N.V. 2014



### **Instructies voor de vakhandelaar**

Deze handleiding is deel van het product en dient bij iedere product te worden geleverd.

Versie: B, 2014-10

Alle rechten, inclusief vertaling, voorbehouden.

Niets uit deze handleiding mag geheel of gedeeltelijk in enige vorm (druk, fotokopie, microfilm of ieder ander procedé) zonder de schriftelijke toelating van de uitgever worden gereproduceerd of met behulp van elektronische systemen worden verwerkt, gekopieerd of verspreid.

© N.V. Vermeiren N.V. 2014



### **Hinweise für den Fachhändler**

Diese Gebrauchsanweisung ist Bestandteil des Produkts und ist bei jeder Produkts auszuhändigen.

Version: B, 2014-10

Alle Rechte, auch an der Übersetzung, vorbehalten.

Kein Teil der Gebrauchsanweisung darf in irgendeiner Form (Druck, Fotokopie, Mikrofilm oder einem anderen Verfahren) ohne schriftliche Genehmigung des Herausgebers reproduziert oder unter Verwendung elektronischer Systeme verarbeitet, vervielfältigt oder verbreitet werden.

© N.V. Vermeiren N.V. 2014



### **Istruzioni per il rivenditore**

Il presente Manuale di istruzioni è parte integrante del prodotto e deve essere fornito assieme alla prodotto.

Versione: B, 2014-10

Tutti i diritti riservati (anche sulla traduzione).

Il presente manuale non può essere riprodotto, neppure parzialmente, con alcun mezzo (stampa, fotocopia, microfilm o altro procedimento) senza l'autorizzazione scritta della casa produttrice, né elaborato, duplicato o distribuito con l'ausilio di sistemi elettronici.

© N.V. Vermeiren N.V. 2014



### **Instrucciones destinadas a los distribuidores especializados**

El presente manual de instrucciones es parte integrante del producto y se debe adjuntar a todas las producto que se vendan.

Versión: B, 2014-10

Todos los derechos reservados, incluidos los de la traducción.

Se prohíbe la reproducción total o parcial del presente manual de cualquier forma (impresión, fotocopia, microfilm o cualquier otro procedimiento), así como la edición, copia o distribución empleando sistemas electrónicos, sin el permiso escrito del editor.

© N.V. Vermeiren N.V. 2014



### **Instrukcje dla wyspecjalizowanego sprzedawcy**

Niniejsza instrukcja obsługi jest nieodłączną częścią produktu i musi być dołączona do każdego sprzedawanego produktu.

Wersja: B, 2014-10

Wszelkie prawa zastrzeżone, łącznie z tłumaczeniem.

Żadna część niniejszej instrukcji nie może być powielana w jakiegokolwiek formie (drukowanej, fotokopii, mikrofilmu ani innej) bez pisemnej zgody wydawcy, nie może być również przetwarzana, kopiowana ani rozprowadzana za pomocą systemów elektronicznych.

© N.V. Vermeiren N.V. 2014

**EN Contents**

1.	Technical details	2
2.	Components	2
3.	Explanation of symbols	2
4.	Check after delivery	2
5.	Intended use	3
6.	Assembly (Fig. 1)	3
7.	Dismantling (Fig. 1)	3
8.	Handgrips (Fig. 2)	4
9.	Brake system	4
10.	Basket	4
11.	Mounting / Removing crutch, walking stick	5
12.	Safety instructions	5
13.	Care	5
14.	Disinfection	5
15.	Repairs / Service / Inspection	5
16.	Shipping and storage	6
17.	Warranty	6
18.	Disposal	6
19.	Declaration of conformity	6

**FR Table des matières**

1.	Caractéristiques techniques	7
2.	Composants	7
3.	Explication des symboles	7
4.	Contrôle lors de la réception	7
5.	Utilisation	8
6.	Montage (Fig. 1)	8
7.	Demontage (Fig. 1)	8
8.	Poignées de poussée (Fig. 2)	8
9.	Système de freinage	9
10.	Panier	9
11.	Pose / dépose de la béquille, canne	9
12.	Consignes de sécurité	10
13.	Entretien	10
14.	Désinfection	10
15.	Réparation / entretien / inspection	10
16.	Expédition et stockage	11
17.	Garantie	11
18.	Mise au rebut	11
19.	Déclaration de conformité	11

**NL Inhoudsopgave**

1.	Technische gegevens	12
2.	Onderdelen	12
3.	Gebruikte symbolen	12
4.	Controle bij ontvangst	12
5.	Gebruik	13
6.	Montage (Fig. 1)	13
7.	Demontage (Fig. 1)	13
8.	Handgrepen (Fig. 2)	14
9.	Remsysteem	14
10.	Mandje	14
11.	Monteren / verwijderen van de kruk, gaanstok	15
12.	Veiligheidsinstructies	15
13.	Verzorging	15
14.	Desinfecteren	15
15.	Reparatie / onderhoud / inspectie	16
16.	Verpakking en opslag	16
17.	Garantie	16
18.	Afvalverwerking	16
19.	Verklaring van overeenstemming	16

**DE Inhalt**

1.	Technische Daten	17
2.	Bauteile	17
3.	Zeichenerklärung	17
4.	Empfangskontrolle	17
5.	Zweckbestimmung	18
6.	Montage (Abb. 1)	18
7.	Zerlegen (Abb. 1)	18
8.	Handgriffe (Abb. 2)	19
9.	Bremssystem	19
10.	Korb	19
11.	Befestigen / Entfernen von Gehstützen und Gehstöcken	20

12.	Sicherheitsanweisungen	20
13.	Pflege	20
14.	Desinfektion	20
15.	Reparatur / Wartung / Inspektion	21
16.	Verpackung und Lagerung	21
17.	Gewährleistung	21
18.	Entsorgung	21
19.	Übereinstimmungserklärung	21

**IT Indice**

1.	Dati tecnici	22
2.	Componenti	22
3.	Significato dei simboli	22
4.	Controllo dopo la consegna	22
5.	Utilizzo previsto	23
6.	Montaggio (Fig. 1)	23
7.	Smontaggio (Fig. 1)	23
8.	Maniglie di spinta (Fig. 2)	24
9.	Sistema frenante	24
10.	Cestello	24
11.	Posizionamento / rimozione di stampelle o bastoni	25
12.	Istruzioni per la sicurezza	25
13.	Pulizia	25
14.	Disinfezione	25
15.	Riparazione / Manutenzione / Controllo	26
16.	Trasporto e conservazione	26
17.	Garanzia	26
18.	Smaltimento	26
19.	Dichiarazione di conformità	26

**ES Índice**

1.	Datos técnicos	27
2.	Componentes	27
3.	Explicación de los símbolos	27
4.	Comprobación tras la entrega	27
5.	Uso previsto	28
6.	Montaje (Imagen 1)	28
7.	Desmontaje (Imagen 1)	28
8.	Empuñaduras (Imagen 2)	29
9.	Sistema de frenado	29
10.	Cesta	29
11.	Montaje / desmontaje de las muletas o del bastón	30
12.	Instrucciones de seguridad	30
13.	Cuidados	30
14.	Desinfección	30
15.	Reparaciones / Mantenimiento / Inspección	31
16.	Envío y almacenamiento	31
17.	Garantía	31
18.	Eliminación	31
19.	Declaración de conformidad	31

**PL Spis treści**

1.	Dane techniczne	32
2.	Elementy składowe	32
3.	Objasnienia symboli	32
4.	Kontrola po dostawie	32
5.	Przeznaczenie	33
6.	Montaż (Rys. 1)	33
7.	Demontaż (Rys. 1)	33
8.	Uchwyty (Rys. 2)	34
9.	Hamulec	34
10.	Koszyk	34
11.	Mocowanie kuli, laski w uchwycie/wyciąganie ich z uchwytu	35
12.	Instrukcje bezpieczeństwa	35
13.	Pielęgnacja	35
14.	Dezynfekcja	35
15.	Naprawy / konserwacja / przeglądy	36
16.	Wysyłka i przechowywanie	36
17.	Gwarancja	36
18.	Utylizacja	36
19.	Deklaracja zgodności	36



## INSTRUCTION MANUAL

### 4-wheels rollator Quadri-light

#### 1. Technical details

**⚠ WARNING: Risk of unsafe settings - Use only the settings described in this manual.**

<b>Make</b>	Vermeiren		
<b>Address</b>	Vermeirenplein 1/15, B-2920 Kalmthout		
<b>Type</b>	Rollator		
<b>Model</b>	Quadri-light		
Width	650 mm		
Width (folded)	290 mm		
Width (transport)	290 mm		
Length (unfolded)	700 mm		
Length (folded)	700 mm		
Length (transport)	400 mm		
Maximum height	930 mm		
Minimum height	805 mm		
Height (folded)	805 mm		
Height (transport)	670 mm		
Seat height	610 mm		
Seat width	450 mm		
Seat depth	200 mm		
Weight	<b>7,20 kg</b>	with basket	7,25 kg
Wheels	Front: 8" (Ø 200 mm x 40 mm) Rear: 7" (Ø 178 mm x 40 mm)		
Brakes	Multifunctional brake		
Max. inclination forwards	15°		
Max. inclination backwards	15°		
Max. inclination sideways	10°		
Maximum user weight	max. <b>130 kg</b>		
Maximum basket weight	max. 5 kg		
Turning width	1310 mm		
Storage temperature	+5°C - +41°C		
We reserve the right to introduce technical changes. Measurement tolerance +/- 15 mm / 1,5 kg / °			

First of all we wish to thank you for the trust you placed in us by selecting a **VERMEIREN** product.

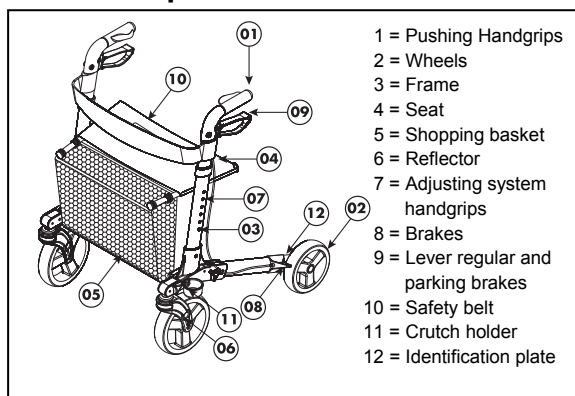
Before using the rollator, read the instruction manual carefully: it will familiarise you with this product.

You will also be given hints about the care and service of your rollator. Please remember that observance of our hints would keep your rollator in an excellent condition of preservation and it will function perfectly even after years of use.

If you have any further questions, please consult your specialist dealer.

To find a service facility or specialist dealer near you, contact the nearest Vermeiren facility. A list of Vermeiren facilities can be found on the last page.

#### 2. Components



#### 3. Explanation of symbols



Maximum mass



Indoor and outdoor use



CE conformity



Read the instruction manual before use



Observe the safety instructions



Type designation

#### 4. Check after delivery

Unpack your product and verify if the delivery is complete. Following items should be included:

- rollator frame with seat, 4 wheels (mounted)
- height adjustable pushing handgrips with brakes
- shopping basket
- safety belt
- crutch holders
- manual

Verify your product for transport damage. If you find any damages after delivery proceed as follows:

- contact the transporter
- have a list made of any problems
- contact your supplier



## 5. Intended use

**⚠ WARNING: Risk of falling - Do not use the rollator if you have weak arm function or poor equilibrium.**

The rollator will compensate the lack of adequate support by the legs by leaning on, or moving with, the rollator with usage of the upper limbs or chest. The rollator will provide a better stability, support and safety during walking.

However, it cannot be used by persons with a visible weakened hand and/or arm function and also not by persons with a balance problem.

The rollator can be used indoor and outdoor. The rollator should only be used on surfaces where all four wheels are touching the ground. Not to be used on rocky terrain or steep hills (see technical details: max. inclination) so the rollator can become unstable.

The product is not meant for transport of people and/or goods. The seat can only be used when the parking brake is locked.

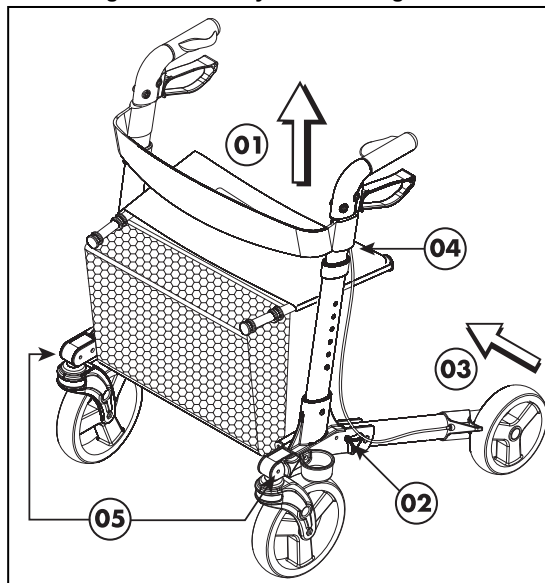
## 6. Assembly (Fig. 1)

- ⚠ CAUTION: Chance of pinching - Do not place fingers between the components of the rollator.**
- ⚠ CAUTION: Risk of clamping - Keep fingers away from moving parts of the rollator.**

Steps 1-9 shall be used for first time use or for transportation of the rollator.

1. **Remove packaging.**
2. **Loosen the velcro straps.**
3. **Place the rollator on his side.**
4. **Move the rear wheel downwards (③) until the holes lie over each other.**
5. **Mount the star button ②.**
6. **Move the front wheel downwards until the holes lie over each other.**
7. **Mount the star button ⑤.**
8. **Place the rollator on his other side.**
9. **Repeat steps 4 - 7 for the other side.**
10. **Unfolding rollator**
  - Unfold the rollator by pushing on the handgrips.
  - Push on the tubes of the seat ④ to unfold the rollator further. Keep pushing until the locking mechanism is secured.
  - Check that the rollator is firmly secured and cannot fold anymore.
11. **Adjust the pushing handgrips to the desired height (see further).**

Fig. 1 – Assembly / dismantling rollator



## 7. Dismantling (Fig. 1)

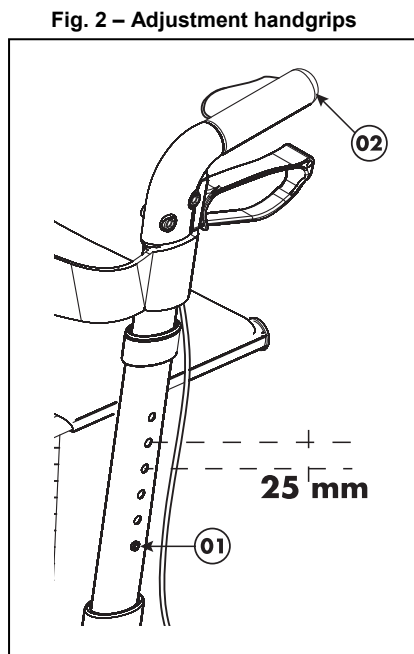
- ⚠ CAUTION: Chance of pinching - Do not place fingers between the components of the rollator.**
- ⚠ CAUTION: Risk of clamping - Keep fingers away from moving parts of the rollator.**

1. **Adjust the pushing handgrips to the minimum position (see further).**
2. **Folding rollator**
  - Pull lightly on the handgrip of the seat ① until the locking mechanism came loose and the rollator can be folded (do these when you stand straight).
  - Fold the rollator by pushing on the handgrips or pulling on the tubes of the seat ②.
3. **For transportation**
  - Remove the star button ⑤.
  - Fold the front wheel upwards.
  - Remove the star button ②.
  - Fold the rear frame / wheel upwards ③.
  - Fasten the rear frame / wheel with the velcro straps to the frame of the handgrips.
  - Repeat the steps above for the other side.



## 8. Handgrips (Fig. 2)

- ⚠ **CAUTION: Risk of falling - Do not exceed the maximum adjustment, your rollator will not be stable anymore.**



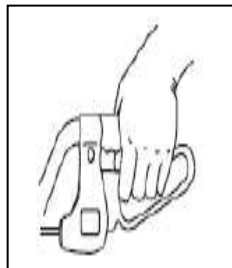
The handgrips can be adjusted in height by following steps:

- Press on the spring pin ①.
- Move the handgrip ② until the desired height (6 different positions: steps from 25 mm). Check that the brake cable cannot stick around the crutch holder.
- Check that the spring pin ① is clicked back and firmly fixated in a hole.
- Adjust the other handgrip ② with the same instructions.
- Check that both handgrips ② are placed in the same position. When standing straight, the handgrips should be as high as your wrists. Leave your arms hanging loose. Elbows should be flexed at 20° to 30°.

## 9. Brake system

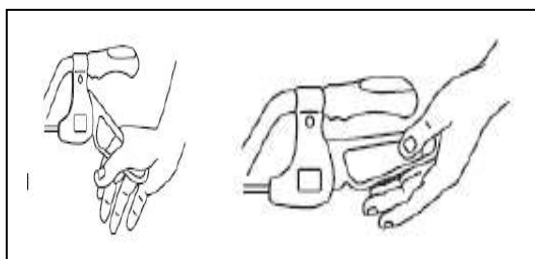
- ⚠ **WARNING: Good operation of the brakes is influenced by wear and contamination of the wheels (water, oil, mud, ...) - Check the condition of the wheels before each use.**
- ⚠ **WARNING: The brakes can wear - Check the operation of the brakes before each use.**

The rollator has been equipped with a multifunctional brake system. The brake levers underneath the handgrips are regular brakes as well as parking brakes.



For the usage of a short brake (regular brakes), pull the brake lever upwards (toward the pushing handgrip).

For the usage of a long brake (parking brake), push the brake lever downwards till you hear a locking sound of the brake. The wheels (use both parking brakes left and right simultaneously) are now blocked until you pull the parking brakes upwards again.

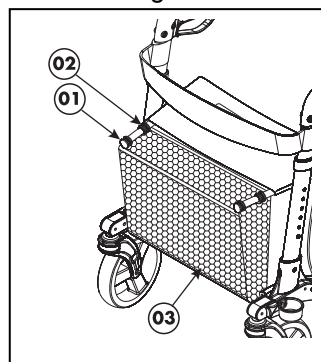


## 10. Basket

- ⚠ **WARNING: Risk of falling, tipping over - Do not overload the shopping basket.**

The shopping basket ③ is meant to be mounted on the front side. Mount the shopping basket ③ with the two basket attachments ① to the tubes of the rollator seat frame ②.

The maximum carrying weight from the shopping basket is 5 kg.

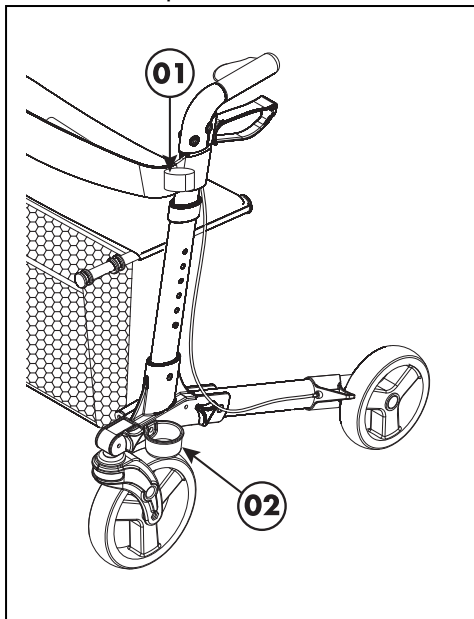


## 11. Mounting / Removing crutch, walking stick

**⚠ WARNING: Risk of injury - Check that the crutch or walking stick is firmly mounted.**

On the left side of your rollator you can find a crutch holder ② and velcro strap ①.

Place the crutch / walking stick in the crutch holder ② and fasten the crutch / walking stick with the velcro strap ①.



## 12. Safety instructions

- Ensure there are no stones or any other objects blocking the regular usage of the wheels of the rollator.
- Ensure the brakes or the rollator are always in parking-mode before using your rollator. When you are standing comfortable and stable, you may unlock the parking brakes.
- Risk of burns – Be careful when driving in hot or cold environments (sunshine, extreme cold, saunas, etc.) for a sufficient amount of time and when touching.
- Before every usage, check that the pushing handgrips are firmly locked.
- Verify if the safety against unwanted folding/unfolding is functioning properly.
- Only proceed moving with your rollator when you are standing comfortably and when both your hands are resting on the pushing handgrips.
- Do not hold the pushing handgrips with wet hands. If you do so, you can lose your grip and lose your balance.
- When you detect that your body is getting tired, lock the parking brakes of your rollator and have a seat on the bench.

- **The maximum users weight for your rollator is 130 kg** and can only be used on a flat underground. Do not use your rollator on a staircase or bumps higher than 40 mm.
- When using the rollator outdoors, find yourself flat and stable areas to use your rollator. Avoid curbs and/or deep holes. Find a place where the curbs are bevelled.
- Do not proceed with your rollator into traffic. Always stay on the pavement.
- Avoid bumpy or sandy roads. Otherwise you might lose control over the stability of your rollator.
- Avoid roads with a very steep inclination.
- Do not use your rollator to transport people or items.
- Take note of the instructions for care and service. The manufacturer is not liable for damage caused by improper servicing/care.

## 13. Care

It is recommended to use a soapy solution for cleaning. The cleaning liquid should in any case have a pH value of at least 6. Do not use a cleaning agent which contains solvents. Observe the instructions of the cleaning liquid used. Use a damp cloth and lukewarm water for cleaning. Avoid soaking. Do not use metal brushes or any other sharp-edged or pointed cleaning utensils. In the case of damage to the varnish or the woodwork, consult your specialist dealer. Regular care would ensure that your rollator is preserved in a perfectly functional condition.

## 14. Disinfection

For sterilisation use only disinfectants suitable for treating varnished metal and plastic surfaces. Observe the instructions of the cleaning liquid used. Use only proved processes (for scrubbing disinfection) and disinfectants included in the list of the Robert Koch Institute (information can be obtained from: [www.rki.de](http://www.rki.de)). Disinfections may only be undertaken by trained persons. Consult your specialist dealer.

## 15. Repairs / Service / Inspection

Lifetime of the rollator is influenced by its use, storage, regular maintenance, servicing and cleaning.

You should use only genuine VERMEIREN replacement parts. Repairs and renovations may only be undertaken by trained persons. Make use of the services offered by your



specialist dealer. He would gladly assist you further in regard to service and repairs.

**Before you resume use of the rollator, it should be serviced according to the following criteria:**

- Completeness
- Foldingmechanism
- Check the wheels (stability, tracking, fixing screws)
- Frames (deformation, stability, connections)
- Pushing handgrip (safe locking from height adjustment system, good support from the handgrips)
- Brakes
- Seat, safety belt and shopping basket on wear or damage
- Cleaning
- **Damaged varnish (remove possible rust and repaint)**

**Every 8 weeks:**

- Lubricating (moving parts shall be greased)

**Every 6 months or for every new user, it should be serviced according to the following criteria:**

- General review
- Disinfection

## 16. Shipping and storage

The shipping and storage of the rollator shall be according following instructions:

- Store in a dry place (between +5°C and +41°C).
- The relative humidity of the air should be between 30% and 70%.
- Provide sufficient covering or packaging to protect the rollator from rust and foreign bodies (e.g. salt water, sea air, sand, dust).
- The rollator must be stored without being subjected to strains. (Do not put too heavy parts on the rollator, not clamping between something, ...)

## 17. Warranty

Excerpt from the "General Business Conditions".

(...)

5. The terms of the guarantee may differ from country to country. Consult your specialist dealer for the guarantee period for warranty claims.

(...)

The warranty excludes damage arising from structural changes to our products, insufficient maintenance, defective or improper handling or storage or the use of non-original parts.

Likewise, the warranty excludes parts or working parts subject to natural wear and tear.

## 18. Disposal

When disposing of the rollator, contact your local disposal centre or return the product to your specialist dealer who, after submitting it to a hygienic procedure, will be able to send it back to the manufacturer who will dispose of and recycle it correctly, separating it into its component materials.

Packaging materials can be taken to disposal or recycling centers or to your specialist dealer.

## 19. Declaration of conformity

The manufacturer or his authorized representative :

N.V. VERBODEN N.V.

Address :

Vernieuwenplein 115

2000 Kortrijk

Belgium

declare under his sole responsibility that the CE marked devices :

Productname: Rollator

Productgroep (EMSD): Walker, Rollator (IMEN 27951)

FAMPP (FAMI) registration

number: BE1CA21112-0295-26-011

Brand: Vernieuwen

Type: 25", 27", 27GEN, 29", 29GD, 29GC, Steator, 201 F

Delta, 44gH, ECO-Light, Quadri-Light

have been classified as class I, according to annex II of MDD 93/42/EEC, rule 1,

and is manufactured in full conformity with the European instructions below including the latest modifications - and with the national law, that organizes this directives :

Medical device directive MDD 93/42/EEC 2007

and is in conformity with the relevant European harmonized standards:

EN 12182:2012, EN 1905:1999, EN ISO 11193-2:2005

## MANUEL D'INSTRUCTION

### Rollator à 4 roues Quadri-Light

#### 1. Caractéristiques techniques

**⚠ AVERTISSEMENT : Risque de limitations dangereuses - N'utiliser que les limitations décrites dans ce manuel.**

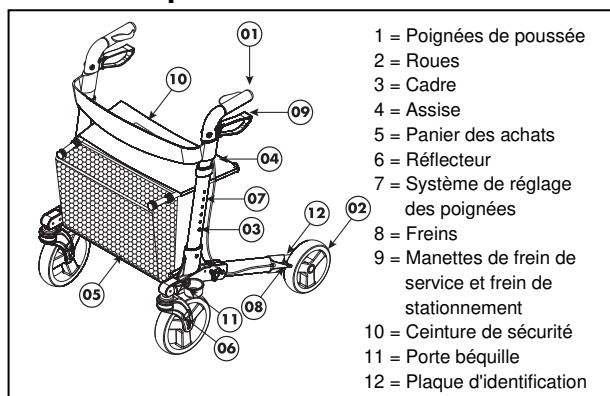
Marque	Vermeiren		
Adresse	Vermeirenplein 1 / 15 B-2920 Kalmthout		
Type	Rollator		
Modèle	Quadri-light		
Largeur	650 mm		
Largeur (plié)	290 mm		
Largeur (transport)	290 mm		
Longueur (déplié)	700 mm		
Longueur (plié)	700 mm		
Longueur (transport)	400 mm		
Hauteur maximale	930 mm		
Hauteur minimale	805 mm		
Hauteur (plié)	805 mm		
Hauteur (transport)	670 mm		
Hauteur d'assise	610 mm		
Largeur d'assise	450 mm		
Profondeur du siège	200 mm		
Poids	<b>7,20 kg</b>	Panier compris	7,25 kg
Roues	Avant: 8" (Ø 200 mm x 40 mm) Arrière: 7" (Ø 178 mm x 40 mm)		
Freins de stationnement	Frein multifonction		
Max. inclinaison avant	15°		
Max. inclinaison en arrière	15°		
Max. inclinaison en latérale	10°		
Poids maxi utilisateur	Max. <b>130 kg</b>		
Charge maxi du panier	Max. 5 kg		
Rayon de braquage	1310 mm		
Température de stockage	+5°C - +41°C		
Nous nous réservons le droit d'apporter des modifications techniques. Tolérance de mesures ± 15 mm / 1,5 kg / °.			

Nous tenons tout d'abord à vous remercier pour la confiance que vous nous accordez en optant pour un produit **VERMEIREN**. Avant d'utiliser le Rollator, lisez attentivement le mode d'emploi; il vous permettra de vous familiariser avec la manipulation de ce produit. Il contient également des instructions sur l'entretien de votre Rollator. N'oubliez pas que le respect de nos instructions vous permettra de conserver votre Rollator en parfait état de conservation et de fonctionnement, même après des années d'utilisation.

Pour toute question, consultez votre distributeur.

Pour trouver un service d'entretien ou un revendeur spécialisé près de chez vous, contactez l'établissement Vermeiren le plus proche. Vous trouverez une liste des établissements sur la dernière page.

#### 2. Composants



#### 3. Explication des symboles



Poids maximum



Usage intérieur et extérieur



Conformité CE



Lire le mode d'emploi avant l'utilisation



Respecter les instructions de sécurité.



Désignation type

#### 4. Contrôle lors de la réception

Déballer le produit et contrôlez si la livraison est complète. Se trouvent dans le paquet:

- le système de cadre de Rollator avec le siège et les 4 roues (prémontées)
- les poignées réglables en hauteur, y compris la poignée de frein et la manette
- panier
- ceinture de sécurité
- porte béquilles
- mode d'emploi

Vérifiez bien que le colis n'ait pas subi de dégâts pendant le transport. Si vous constatez que ce produit ou le colis présente, contre toute attente, des défauts, procédez comme suit:

- Déposez immédiatement une déclaration auprès du transporteur;



- Faites enregistrer les dégâts;
- Informez votre revendeur immédiatement.

## 5. Utilisation

**⚠ AVERTISSEMENT : Risque de chute - N'utilisez pas le Rollator si vous avez les bras fébriles ou des problèmes d'équilibre.**

Le Rollator sert à compenser la diminution de la résistance ou de la capacité des extrémités inférieures par l'utilisation de la force ou du soutien des extrémités supérieures ou du tronc, et à assister et assurer la marche. Il ne faut pas utiliser le Rollator pour des personnes qui souffrent d'une réduction des fonctions des mains/bras ou d'importants troubles de l'équilibre.

Il peut s'utiliser aussi bien à l'intérieur qu'à l'extérieur.

Le Rollator doit être utilisé sur des surfaces où les 4 roues sont en contact avec le sol. Ne pas utiliser sur des terrains rocheux ou pentes raides (voir les détails techniques: inclinaison maxi) le Rollator deviendra instable.

Le produit ne peut être utilisé pour transporter des personnes et/ou des objets. La surface d'assise ne peut servir de siège que lorsque le frein de stationnement est enclenché.

## 6. Montage (Fig. 1)

**⚠ ATTENTION : Risque de pincement - Laissez les doigts à l'écart des pièces du Rollator.**

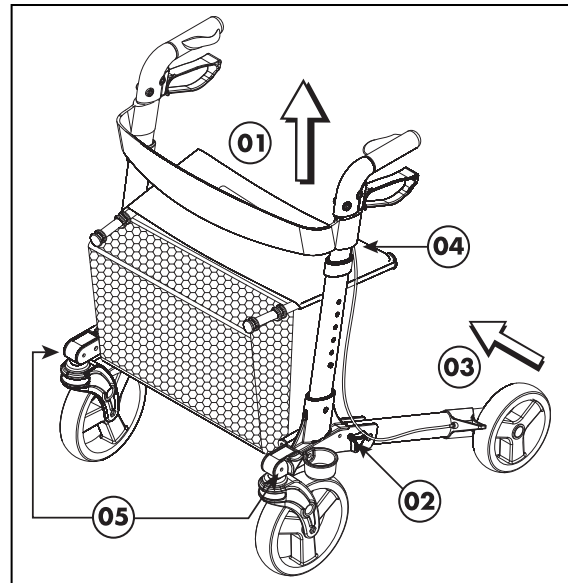
**⚠ ATTENTION : Risque de pincement - Laissez les doigts à l'écart des pièces amovibles du Rollator.**

Les étapes 1 à 9 sont utilisées pour la première utilisation ou le transport du rollator.

1. Retirez l'emballage.
2. Détachez les bandes Velcro.
3. Placez le rollator sur le côté.
4. Descendez la roue arrière (③) jusqu'à ce que les orifices soient alignés.
5. Installez le bouton étoile ②.
6. Descendez la roue avant jusqu'à ce que les orifices soient alignés.
7. Installez le bouton étoile ⑤.
8. Placez le rollator sur l'autre côté.
9. Répétez les étapes 4 à 7 pour l'autre côté.
10. Dépliez le rollator
  - Pliez le Rollator en poussant les poignées.
  - Poussez sur les tubes du siège ④, en outre pour déplier le Rollator. Continuez de pousser jusqu'à ce que le mécanisme de verrouillage se rive.
  - Vérifiez que le rollator est correctement verrouillé et ne puisse plus se replier.

## 11. Ajustez les poignées de poussée à la hauteur souhaitée (voir ci-après).

Fig. 1 – Montage / démontage du rollator



## 7. Démontage (Fig. 1)

**⚠ ATTENTION : Risque de pincement - Laissez les doigts à l'écart des pièces du Rollator.**

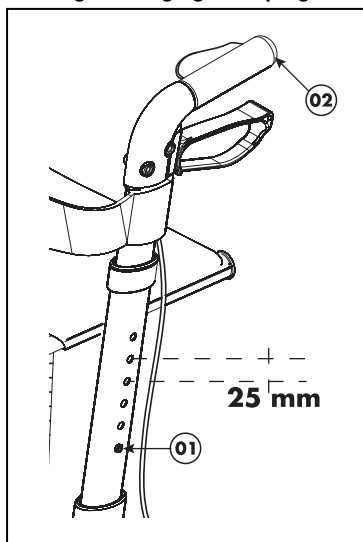
**⚠ ATTENTION : Risque de pincement - Laissez les doigts à l'écart des pièces amovibles du Rollator.**

1. Réglez les poignées coulissantes à la position minimale (voir ci-dessous).
2. Pliez le Rollator
  - Tirez doucement sur la poignée du siège ① de manière à ce que le mécanisme de verrouillage se débloque et que le rollator puisse être replié (faites-le en étant droit).
  - Repliez le rollator en poussant sur les poignées des tubes d'assise ②.
3. Pour le transport
  - Enlevez le bouton étoile ⑤.
  - Repliez la roue avant vers le haut.
  - Enlevez le bouton étoile ②.
  - Repliez le cadre / la roue arrière vers le haut ③.
  - Arrimez le cadre / la roue arrière avec les bandes Velcro sur le cadre des poignées.
  - Répétez les instructions ci-dessus pour l'autre côté.

## 8. Poignées de poussée (Fig. 2)

**⚠ ATTENTION : Risque de chute - Ne dépassez pas le réglage maximum, votre Rollator pourrait perdre sa stabilité.**

Fig. 2 – Réglage des poignées



Suivez la procédure ci-dessous pour ajuster la hauteur des poignées :

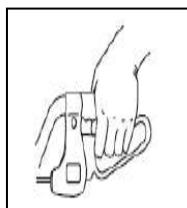
- Poussez sur le goupille de blocage ①.
- Déplacez la poignée ② à la hauteur souhaitée (6 positions différentes : écarts de 25 mm.). Vérifiez que le câble du frein ne peut pas pendre autour du support pour béquilles.
- Vérifiez que la goupille ① soit fermement cliquée sur l'arrière dans son logement.
- Ajustez l'autre poignée de poussée ② en suivant la même procédure.
- Vérifiez que les deux poignées ② sont placées dans la même position. Quand vous êtes debout, les poignées doivent arriver à hauteur de vos poignets. Pour ce faire, laissez vos bras pendre. Vos coudes soient pliés à environ 20 à 30°.

## 9. Système de freinage

**⚠ AVERTISSEMENT :** Le bon fonctionnement des freins dépend de l'usure et de l'état des pneus (eau, huile, boue, ...). Vérifiez l'état des pneus avant chaque utilisation.

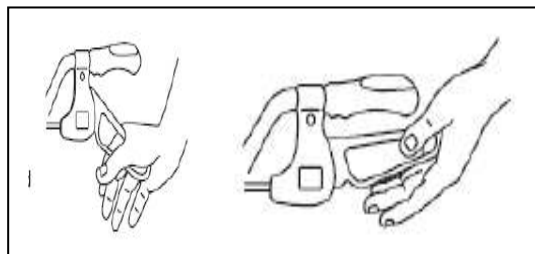
**⚠ AVERTISSEMENT :** Les freins peuvent s'user. Contrôlez le fonctionnement des freins avant chaque utilisation.

Votre Rollator est équipé d'un frein multifonction. Les manettes de frein, placées sous chaque poignée, servent à la fois de frein de service et de frein de stationnement.



Pour un freinage de courte durée (frein de service), tirez la manette de frein vers le haut en direction de la poignée.

Pour un freinage durable du Rollator (frein de stationnement), poussez la manette de frein complètement vers le bas jusqu'à ce que vous entendiez et sentiez un déclic. La roue ainsi freinée est bloquée jusqu'à ce que vous repoussiez la manette de frein vers le haut. Pour bloquer temporairement les deux roues, faites cette manœuvre sur les deux freins (gauche et droit).

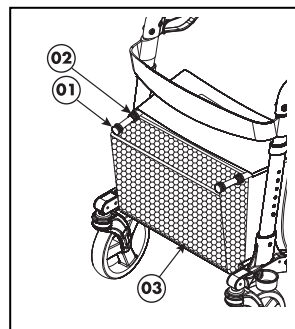


## 10. Panier

**⚠ AVERTISSEMENT :** Risque de chute, risque de basculement - Ne surchargez pas le panier.

Le panier des achats ③ doit être monté par l'avant. Installez le panier des achats ③ avec les deux fixations du panier ① sur les tubes du cadre d'assise du rollator ②.

La charge maxi supportée par le panier est de 5kg.

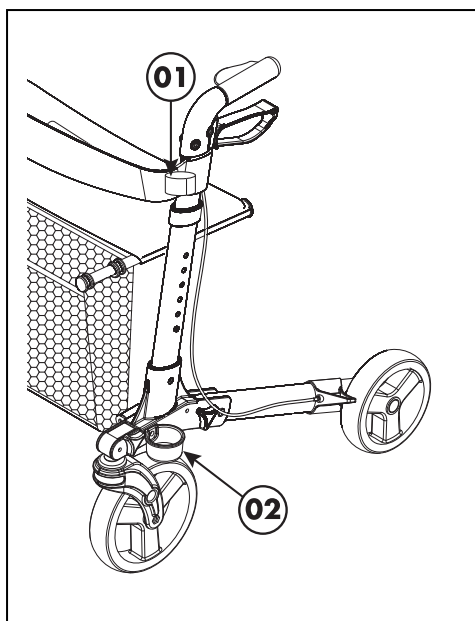


## 11. Pose / dépose de la béquille, canne

**⚠ AVERTISSEMENT :** Risque de lésions - Vérifiez que la béquille ou la canne est bien fixée.

Vous trouverez sur le côté gauche de votre rollator, une porte béquille ② et une bande Velcro ①.

Placez la béquille / canne dans la porte béquille ② et fixez la béquille / canne avec les bandes Velcro ①.



## 12. Consignes de sécurité

- Vérifiez qu'il n'y ait pas de cailloux ou autres objets dans les surfaces de roulement des roues.
- Vérifiez toujours que les freins se trouvent d'abord en position de stationnement avant d'utiliser le Rollator. Ne relâchez les freins de stationnement qu'une fois que vous en êtes sûr.
- Risque de brûlures – Soyez prudents lorsque vous conduisez dans des environnements chauds ou froids (soleil, froid extrême, saunas, etc.) de disposer d'assez de temps et lors des contacts.
- Vérifiez que les poignées soit serrée avant d'utiliser le cadre de marche.
- Vérifiez que la sécurité pour le pliage/dépliage involontaire du cadre de marche soit bien enclenchée.
- Ne commencez à avancer que lorsque vous êtes bien droit et que vous avez saisi les poignées avec vos deux mains.
- Ne saisissez pas les poignées si vous avez les mains humides - elles pourraient glisser et vous faire perdre prise.
- Si vous ressentez de la fatigue pendant que vous marchez, asseyez-vous sur le siège. Placez les freins en position de stationnement avant de vous asseoir.
- **Le produit supporte une charge maximale de 130 kg** et ne peut être utilisé que sur des chemins plats. N'empruntez pas avec votre Rollator des escaliers ou des paliers dont la hauteur dépasse 40 mm max.
- Lors de l'utilisation à l'extérieur, empruntez uniquement des chemins plats et évitez les bordures hautes. Évitez les

bordures et / ou les trous profonds. Cherchez un endroit où la bordure est surbaissée.

- Ne vous promenez pas avec votre Rollator au milieu du flot du trafic. Empruntez des trottoirs plats.
- Évitez d'aller sur les pavés ou sur des surfaces de ce type - Vous pourriez perdre le contrôle de votre Rollator.
- Éviter d'utiliser le Rollator sur des chemins à forte pente montante ou descendante.
- N'utilisez pas votre Rollator pour transporter des objets ou des personnes (siège).
- Suivez les instructions pour les soins et le contrôle. Le fabricant n'offre aucune garantie si le siège si celui-ci n'est pas utilisé conformément à sa destination et si les contrôles mentionnés dans le mode d'emploi n'ont pas été effectués.

## 13. Entretien

Pour le nettoyage, il est préférable d'utiliser une solution savonneuse. Dans tous les cas, le produit de nettoyage doit avoir un pH de 6 min. N'utilisez pas de produits de nettoyage contenant du dissolvant. Suivez les instructions fournies avec le produit d'entretien. Pour le nettoyage, utilisez un chiffon humide et de l'eau tiède. Évitez de nettoyer à grandes eaux. N'utilisez pas de brosses métalliques ou autres ustensiles de nettoyage à arêtes vives ou pointus. S'il y a des dégâts sur la peinture ou le revêtement, adressez-vous à votre revendeur. Un entretien régulier permet de garder votre Rollator en parfait état.

## 14. Désinfection

Pour la désinfection, utilisez uniquement les produits désinfectants pour les métaux et les surfaces en plastique peints. Suivez les instructions fournies avec le produit d'entretien. La désinfection par brossage ne peut être effectuée qu'avec les solutions de produit désinfectant et les dilutions d'utilisation reprises dans les recommandations du Robert-Koch Institut ([www.rki.de](http://www.rki.de)). La désinfection ne peut être effectuée que par un spécialiste en hygiène ou par une personne formée par un tel spécialiste. Contactez votre revendeur.

## 15. Réparation / entretien / inspection

La durée de vie du Rollator est influencée par son utilisation, de son stockage, de sa maintenance régulière, de l'entretien et du nettoyage.





## INSTRUCTIE HANDLEIDING

### 4-wielen rollator Quadri-light

#### 1. Technische gegevens

**⚠ WAARSCHUWING: Risico bij onveilige instellingen - Gebruik enkel de instellingen beschreven in deze handleiding.**

<b>Merk</b>	Vermeiren	
<b>Adres</b>	Vermeirenplein 1 / 15 B-2920 Kalmthout	
<b>Type</b>	Rollator	
<b>Model</b>	Quadri-light	
Breedte	650 mm	
Breedte (opgevouwen)	290 mm	
Breedte (transport)	290 mm	
Lengte (ontvouwden)	700 mm	
Lengte (opgevouwen)	700 mm	
Lengte (transport)	400 mm	
Maximum hoogte	930 mm	
Minimum hoogte	805 mm	
Hoogte (opgevouwen)	805 mm	
Hoogte (transport)	670 mm	
Zithoogte	610 mm	
Zitbreedte	450 mm	
Zitdiepte	200 mm	
Gewicht	<b>7,20 kg</b> met mandje	7,25 kg
Wielen	Voor: 8" (Ø 200 mm x 40 mm) Achter: 7" (Ø 178 mm x 40 mm)	
Remmen	Multifunctionele rem	
Max. helling voorwaarts	15°	
Max. helling achterwaarts	15°	
Max. helling zijwaarts	10°	
Maximum gebruikersgewicht	max. 130 kg	
Maximum gewicht mandje	max. 5 kg	
Draaicirkel	1310 mm	
Opslag temperatuur	+5°C - +41°C	
We behouden ons het recht voor om technische wijzigingen te introduceren. Meettolerantie ± 15 mm / 1,5 kg / °		

We willen U danken voor het vertrouwen dat U in de producten van **VERMEIREN** stelt.

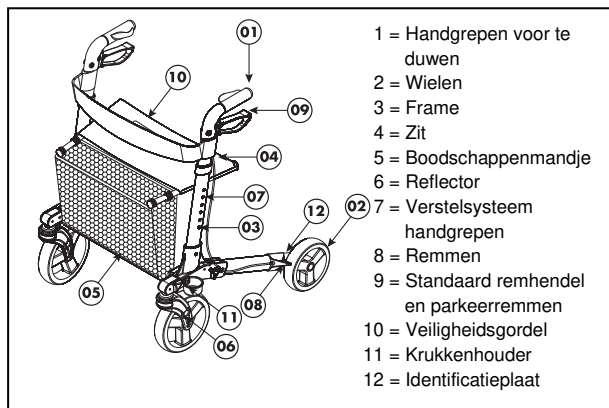
Voor U de rollator gebruikt, dient U de handleiding aandachtig te lezen zodat U vertrouwd raakt met het product.

Daarnaast bevat deze handleiding tips voor het verzorgen en onderhouden van de rollator. Houd er rekening mee dat bij het naleven van onze adviezen Uw rollator ook na jaren gebruik nog in perfecte staat is en perfect functioneert.

Als U nog vragen hebt, neemt U best contact op met Uw vakhandelaar.

Om een servicepunt of vakhandelaar in Uw buurt te vinden, neemt U contact op met de dichtstbijzijnde Vermeiren faciliteit. Een lijst van de Vermeiren faciliteiten zijn terug te vinden op de laatste bladzijde.

#### 2. Onderdelen



#### 3. Gebruikte symbolen



Maximum gewicht



Gebruik voor binnen en buiten



CE conformiteit



Voor gebruik de handleiding lezen



Veiligheidsinstructies respecteren



Type aanduiding

#### 4. Controle bij ontvangst

Pak het product uit en controleer of de levering volledig is. In het pakket zitten:

- rollator frame met zit, 4 wielen (gemonteerd)
- in hoogte verstelbare handgrepen met rem
- boodschappenmandje
- veiligheidsgordel
- krukkenhouder
- handleiding

Controleer de zending zorgvuldig op transportschade. Wanneer U vaststelt dat het product na de zending toch een defect vertoont, moet U het volgende doen:

- Neem contact op met de transporteur.
- Laat een verslag opmaken van de schade
- Neem direct contact op met de vakhandelaar

## 5. Gebruik

- ⚠ WAARSCHUWING: Gevaar op vallen - Gebruik de rollator niet als Uw armen zwak functioneren of bij een slecht evenwicht.**

Door met de bovenste ledematen of de romp op de rollator te steunen of deze te verschuiven, compenseert de rollator de verminderde belastbaarheid of de kracht van de onderste ledematen. Bovendien zorgt deze voor een betere steun en veiligheid bij het gaan.

De rollator mag niet worden gebruikt door mensen met een duidelijk verzwakte hand-/arm functie of met duidelijke evenwichtsstoornissen.

De rollator kan zowel binnen als buiten gebruikt worden.

De rollator mag alleen worden gebruikt op een vlakke ondergrond waarbij alle vier de wielen de grond raken. Gebruik de rollator niet op een rotsachtig terrein of steile hellingen (zie technische gegevens: max. helling) anders kan de rollator onstabiel worden.

Het product mag evenmin worden gebruikt voor het transporteren van personen en/of goederen. Het zitvlak dient alleen als zitje wanneer de parkeerrem is vastgezet.

## 6. Montage (Fig. 1)

- ⚠ VOORZICHTIG: Kans op knellen - Houd Uw vingers niet tussen de onderdelen van de rollator.**
- ⚠ VOORZICHTIG: Kans op klemmen - Houd Uw vingers weg van de bewegende onderdelen van de rollator.**

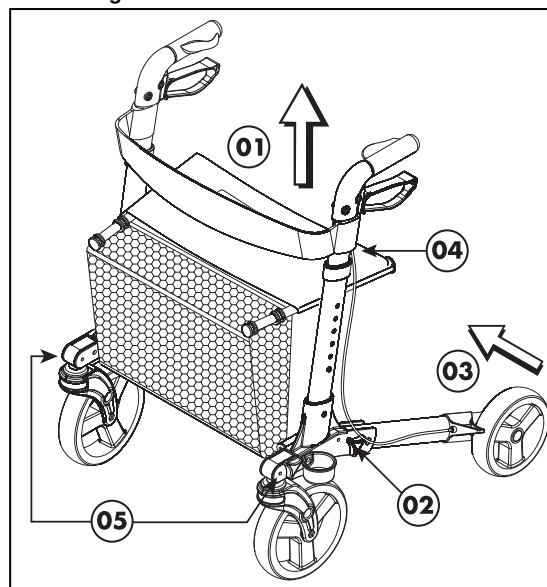
Stappen 1-9 worden gebruikt voor eerste gebruik van de rollator of om de rollator te transporteren.

1. Verwijder de verpakking.
2. Maak de velcro strips los.
3. Plaats de rollator op zijn kant.
4. Beweeg het achterwiel naar beneden (③) tot dat de boringen over elkaar liggen.
5. Monteer de sterknop ⑤.
6. Beweeg het voorwiel naar beneden tot dat de boringen over elkaar liggen.
7. Monteer de sterknop ⑤.
8. Plaats de rollator op zijn andere kant.
9. Herhaal de stappen 4 - 7 voor de andere kant.
10. Openvouwen rollator
  - Vouw de rollator open door op de handgrepen te duwen.

- Om de rollator verder open te vouwen kan U op de zitbuizen ④ duwen. Blijf duwen tot dat het vergrendelingsmechanisme vast klikt.
- Controleer dat de rollator goed is vastgemaakt en niet meer kan worden opgevouwen.

## 11. Verstel de handgrepen naar de gewenste hoogte (zie verder).

Fig. 1 – Monteren / demonteren rollator



## 7. Demontage (Fig. 1)

- ⚠ VOORZICHTIG: Kans op knellen - Houd Uw vingers niet tussen de onderdelen van de rollator.**
- ⚠ VOORZICHTIG: Kans op klemmen - Houd Uw vingers weg van de bewegende onderdelen van de rollator.**

### 1. Verstel de handgrepen naar de minimum positie (zie verder).

### 2. Opvouwen rollator

- Trek zachtjes aan de hanggreep van de zit ① tot dat het vergrendelingsmechanisme los komt en de rollator kan worden opgevouwen (doe dit wanneer U recht staat).
- Vouw de rollator op door te duwen op de handgrepen van de zitbuizen ②.

### 3. Voor transport

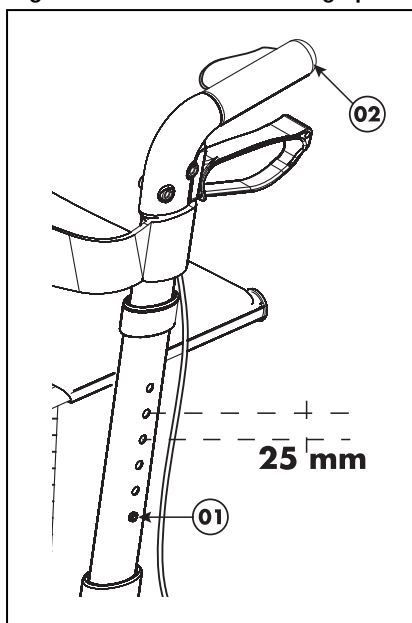
- Verwijder de sterknop ⑤.
- Vouw het voorwiel naar boven.
- Verwijder de sterknop ②.
- Vouw het achterste frame / wiel naar boven ③.
- Maak het achterframe / wiel met de velcro strips vast aan het frame van de handgrepen.

- Herhaal bovenstaande instructies voor de andere kant.

## 8. Handgrepen (Fig. 2)

- ⚠ **VOORZICHTIG:** Gevaar op vallen - Zet de handgrepen nooit boven de maximum verstelhoogte, anders wordt de rollator onstabiel.

Fig. 2 – Verstellen van de handgrepen



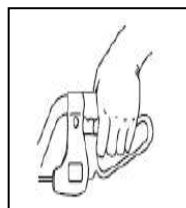
De handgrepen kunnen met volgende instructies worden versteld:

- Duw op de borgpen ①.
- Beweeg de handgreep ② tot de gewenste hoogte (6 verschillende posities: stappen van 25 mm). Controleer dat de remkabel niet rond de krukkenhouder kan blijven hangen.
- Controleer dat de borgpen ① is terug geklikt en goed gefixeerd is in een boring.
- De andere handgreep ② kan met dezelfde instructies worden versteld.
- Controleer dat beide handgrepen ② in dezelfde positie geplaatst zijn. Als U recht staat, moeten de handgrepen ter hoogte van Uw pols komen. Laat hierbij de armen losjes hangen. Ellebogen moeten worden gebogen bij 20° tot 30°.

## 9. Remsysteem

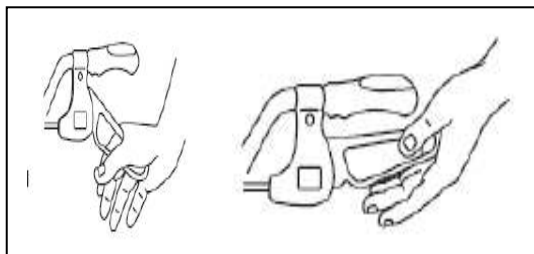
- ⚠ **WAARSCHUWING:** De werking van de rem wordt beïnvloed door slijtage en vervuiling van de wielen (water, olie, slijk, ...) - Controleer voor elk gebruik de staat van de wielen.
- ⚠ **WAARSCHUWING:** De remmen kunnen verouderen - Controleer voor elk gebruik de goede werking van de remmen.

De rollator is uitgerust met een multifunctionele rem. De remhendels onder de handgrepen zijn zowel een gewone rem als een parkeerrem.



Voor het kort remmen (gewone rem) trekt U de remhendel naar boven in de richting van de handgreep.

Voor het langer remmen van de rollator (parkeerrem) duwt U de remhendel volledig omlaag tot deze hoorbaar en voelbaar vastklikt. De geremde wielen zijn geblokkeerd tot U de parkeerrem hendel weer omhoog trekt. Om beide wielen even te blokkeren moet U de parkeerrem links en rechts tegelijk gebruiken.

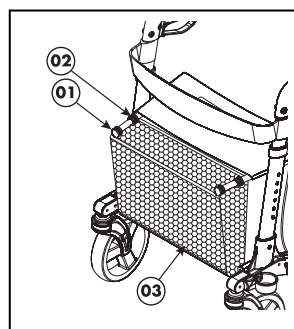


## 10. Mandje

- ⚠ **WAARSCHUWING:** Gevaar op vallen, kantelgevaar- Overlaad het boodschappenmandje niet.

Het boodschappenmandje ③ wordt vooraan gemonteerd. Monteer het boodschappenmandje ③ met de twee bevestigingen van het mandje ① aan de buizen van het rollator zitframe ②.

Het maximum draaggewicht van het mandje is 5 kg.

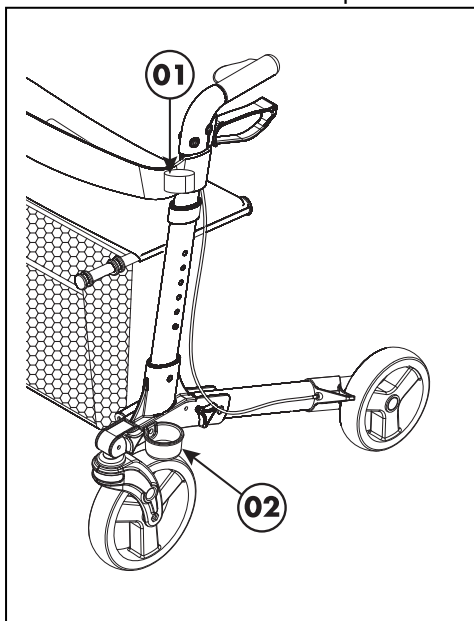


## 11. Monteren / verwijderen van de kruk, gaanstok

- ⚠ **WAARSCHUWING: Gevaar voor letsel**  
– Controleer dat de kruk of wandelstok goed is vastgemaakt.

Aan de linkse kant van Uw rollator kan U een krukkenhouder ② en velcro strip ① terug vinden.

Plaats de kruk / wandelstok in de krukkenhouder ② en maak de kruk / wandelstok vast met de velcro strips ①.



## 12. Veiligheidsinstructies

- Let erop dat er geen stenen of andere voorwerpen in de loopvlakken van de wielen zitten, en deze kunnen blokkeren.
- Voor ieder gebruik moet U erop letten dat de rem altijd in de parkeerstand is gezet. Pas wanneer U stevig staat, mag U de parkeerrem loszetten.
- Gevaar voor brandwonden – Wees voorzichtig bij het rijden in extreem warme of koude omgevingen (zon, extreme koude, sauna's, enz.) voor een bepaalde tijd en bij het aanraken.
- Controleer voor ieder gebruik dat de handgrepen goed zijn vastgemaakt.
- Controleer of de beveiliging tegen ongewild opvouwen/opencvouwen is geblokkeerd.
- Zet pas de eerste stappen wanneer U goed rechtstaat en met beide handen de handgrepen stevig hebt vastgenomen.
- De handgrepen niet met natte handen vastnemen. Anders kan U wegglijden en het evenwicht verliezen.

- Wanneer U bij het stappen vaststelt dat U moe wordt, dient U even te gaan zitten op het zitbankje. Zet de rem wel eerst in de parkeerstand.
- **Het product mag met max. 130 kg worden belast** en mag alleen op een vlakke ondergrond worden gebruikt. Rij met de rollator niet op trappen of op een opstapje dat hoger is dan 40 mm.
- Wanneer U de rollator buitenshuis gebruikt, mag U alleen op vlakke wegen stappen en moet U hoge boordstenen vermijden. Vermijd stoepranden en / of diepe putten. Zoek een plaats waar de boordstenen zijn afgeschuind.
- Begeef U met Uw rollator niet in het wegverkeer. Gebruik effen voetpaden.
- Vermijd kasseiwegen of gelijkaardige wegen. Anders kunt U de controle over de rollator verliezen.
- Vermijd sterk hellende wegen.
- Gebruik de rollator niet om voorwerpen of personen (zitvlak) te transporteren.
- Volg de instructies voor verzorging en controles. De fabrikant is niet aansprakelijk voor schade die werd veroorzaakt door niet juiste controles / verzorging.

## 13. Verzorging

Voor het reinigen gebruikt U best een zeepoplossing. Het reinigingsmiddel moet in ieder geval een pH-waarde van min. 6 hebben. Gebruik geen reinigingsmiddelen op basis van oplosmiddelen. Volg de aanwijzingen op de betreffende verzorgingsmiddelen. Voor het reinigen gebruikt U een vochtige doek en lauw water. Maak het product niet te nat. Gebruik geen metaalborstels of andere scherpe reinigingsmiddelen. Bij schade aan de lak of de bekleding dient U contact op te nemen met de vakhandelaar. Door een regelmatig onderhoud blijft de rollator perfect functioneren.

## 14. Desinfecteren

Voor het desinfecteren gebruik alleen desinfecteermiddelen voor geschilderde metalen en kunststofoppervlakken. Volg de aanwijzingen op de betreffende verzorgingsmiddelen. De schuurdesinfectie mag alleen worden gebruikt met de desinfectieoplossingen en de gebruiksverduningen die zijn aanbevolen door het Robert-Koch-Instituut ([www.rki.de](http://www.rki.de)). De desinfectie mag alleen door een geschoolde sanitaire medewerker of een door hem/haar opgeleide persoon worden uitgevoerd. Neem contact op met de vakhandelaar.



## 15. Reparatie / Onderhoud / Inspectie

De verwachte levensduur van de rollator wordt beïnvloed door het gebruik, opslag, regelmatig onderhoud en schoonmaak.

Gebruik alleen originele onderdelen van VERMEIREN. Reparaties mogen alleen door speciaal opgeleid personeel worden uitgevoerd. Maak gebruik van de services van de vakhandelaar. Hij helpt U graag bij het onderhouden en repareren van onze producten.

**Voor elk gebruik moet Uw rollator worden geïnspecteerd. Hierbij moeten de volgende punten worden gecontroleerd:**

- Volledigheid
- Functie van het plooiemechanisme
- Controle van de wielen (stabiliteit, spoor, bevestigingsschroeven)
- Frame (vervorming, stabiliteit, bevestigingen)
- Handgrepen voor te duwen (veilige blokkering van de hoogte verstelling, goede steun van de handgrepen)
- Remmen
- Zit, veiligheidsgordel en boodschappenmandje controleren op beschadigingen.
- Schoonmaken
- **Lakschade (eventuele roestplekken verwijderen en met lak behandelen)**

**Om de 8 weken:**

- Smering (bewegende verbindingen moeten zijn ingevet)

**Elke 6 maanden of voor elke nieuwe gebruiker moeten volgende punten geïnspecteerd worden:**

- Algemeen nazicht
- Desinfecteren

## 16. Verpakking en opslag

Om de rollator te verpakken of te bewaren dienen volgende instructies te worden gevolgd:

- Alleen in droge ruimtes opslagen (tussen +5°C en +41°C).
- De relatieve luchtvochtigheid van 30% tot 70%.
- Beschermen door voldoende afdekking of verpakking tegen roest en binnendringen van vreemde voorwerpen (bijv. zout water, zeelucht, zand, stof)
- Alle componenten moeten onbelast worden bewaard. (geen te zware

voorwerpen op de rollator onderdelen leggen, nergens tussen klemmen, ...)

## 17. Garantie

Uittreksel uit de "Algemene bedrijfsvoorwaarden":

(...)

5. De garantievoorwaarden kunnen van land tot land verschillen. Raadpleeg Uw vakhandelaar voor de verjaringstermijn voor garantie aanspraken.

(...)

Wij zijn niet aansprakelijk voor schade die ontstaat door constructieve wijzigingen aan onze producten, gebrekkig onderhoud, gebrekkige of onoordeelkundige behandeling of bewaring of gebruik van niet-originele wisselstukken.

De garantie op slijtagedelen of onderdelen die onderhevig zijn aan een natuurlijke slijtage, is eveneens uitgesloten.

## 18. Afvalverwerking

Als U de rollator wilt wegdoen, stelt U zich in verbinding met de plaatselijke verantwoordelijken of bezorgt U het product terug bij de vakhandel. Deze kan, na hygiënische reiniging, de rollator aan de fabrikant terugsturen. De fabrikant kan voor vakkundige verwerking en hergebruik (gescheiden naar grondstof) zorg dragen. Verpakkingsmateriaal kan bij de betreffende verwerkingsplaatsen en hergebruik instellingen of bij Uw vakhandelaar afgegeven worden.

## 19. Verklaring van overeenstemming

De fabrikant of zijn gemachtigde vertegenwoordiger:  
N.V. VERMEIREN N.V.  
Adres:  
Vermeirenpark 118  
2020 Kalmbeek  
Nlge

verklaart geheel onder zijn eigen verantwoordelijkheid, dat de CE gemerkte  
productdelen:

Productgroep:	Rollatoren
Productgroep (DIN):	Looprek, opvouwbare (DIN 21901)
FAO registratie nummer:	BE/CAS1110-02065-26-01
Merk:	Vermeiren
Type:	201, 210, 21500, 244, 2660, 2660, 2667, Newline, 201, 2 Delta, 4-Agts, ECO Light, Quadri Light

zijn geklasseerd als Klasse I, volgens bijlage IV MDG 93/42/EEG, regel 1,

en verantwoordelijk zijn in volledige overeenstemming met de onderzochte  
Europese richtlijnen - inclusief de laatste wijzigingen - en met de nationale wet,  
die deze richtlijnen organiseert:  
Nederse toepassing van MDG 93/42/EEG

en in overeenstemming zijn met de relevante Europese geklassificeerde  
normen:  
EN 12182:2012, EN 1346:1999, EN ISO 11196-2:2005

## GEBRAUCHSANWEISUNG

### Quadri-Light Rollator mit 4 Rollen

#### 1. Technische Daten

**⚠️ WARNUNG:** Nutzen Sie das Produkt nur gemäß den technischen Vor- und Angaben dieser Gebrauchsanweisung.

Hersteller	Vermeiren		
Adresse	Vermeirenplein 1/15 B-2920 Kalmthout		
Typ	Rollator		
Modell	Quadri-light 		
Breite	650 mm		
Breite (zusammengeklappt)	290 mm		
Breite (Transport)	290 mm		
Länge (ausgeklappt)	700 mm		
Länge (zusammengeklappt)	700 mm		
Länge (Transport)	400 mm		
Maximale Höhe	930 mm		
Mindesthöhe	805 mm		
Höhe (zusammengeklappt)	805 mm		
Höhe (Transport)	670 mm		
Sitzhöhe	610 mm		
Sitzbreite	450 mm		
Sitztiefe	200 mm		
Gewicht	<b>7,20 kg</b>	Inkl. Korb	7,25 kg
Räder	Vorder: 8" (Ø 200 mm x 40 mm) Hinter/ 7" (Ø 178 mm x 40 mm)		
Bremsen	Multifunktionsbremse		
Max. Neigung nach vorn	15°		
Max. Neigung rückwärts	15°		
Max. Neigung seitwärts	10°		
Max. zulässiges Patientengewicht	max. <b>130 kg</b>		
Max. Belastung Korb	max. 5 kg		
Wenderadius	1310 mm		
Temperaturbereich für Lagerung	+5°C - +41°C		
Technische Änderungen vorbehalten. Maßtoleranz ± 15 mm / 1,5 kg / °.			

Zunächst möchten wir uns für das Vertrauen bedanken, das Sie in uns gesetzt haben, indem Sie sich für ein **VERMEIREN**-Produkt entschieden haben.

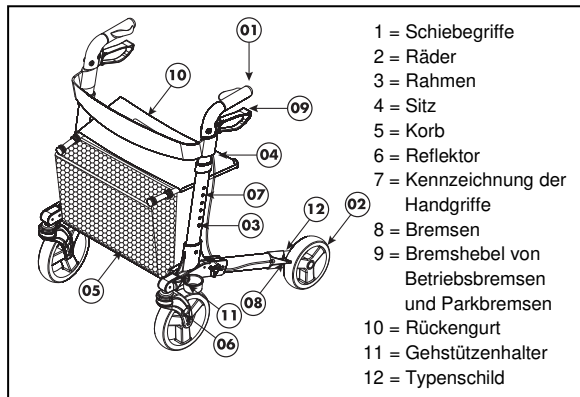
Lesen Sie vor dem Gebrauch des Rollators gründlich die Gebrauchsanweisung; sie soll Sie im Umgang mit diesem Produkt vertraut machen.

Außerdem enthält sie auch Hinweise zur Pflege und Wartung Ihres Rollators. Bitte bedenken Sie, dass die Beachtung unserer Hinweise Ihren Rollator auch nach Jahren des Gebrauchs in ausgezeichnetem Erhaltungszustand und einwandfreier Funktion bewahrt.

Sollten Sie weitere Fragen haben, wenden Sie sich bitte an Ihren Fachhändler.

Um einen Fachhändler in Ihrer Nähe zu finden, stehen Ihnen unsere Niederlassungen gerne zur Verfügung. Eine Auflistung aller Vermeiren Niederlassungen finden Sie auf der letzten Seite dieser Gebrauchsanweisung.

#### 2. Bauteile



#### 3. Zeichenerklärung



Max. zulässiges Gewicht



Innen- und Außenbereich



CE-Konformität



Vor Gebrauch  
Gebrauchsanweisung lesen!



Sicherheitshinweise beachten!



Typenbezeichnung

#### 4. Empfangskontrolle

Packen Sie Ihr Produkt aus und überprüfen Sie, ob die Lieferung vollständig ist. Zum Lieferumfang gehören:

- Rollatorrahmensystem inkl. Sitzbank, 4 Räder (vormontiert)
- Höhenverstellbare Schiebegriffe inkl. Brems- und Handgriff
- Einkaufskorb
- Rückengurt
- Gehstützenhalters
- Gebrauchsanweisung

Prüfen Sie die Sendung sorgfältig auf Transportschäden. Sollten Sie feststellen, dass dieses Produkt oder die Sendung wider Erwarten einen Fehler aufweist, so verfahren Sie wie folgt:

- Wenden Sie sich an den Frachtführer.
- Lassen Sie den Schaden protokollieren,

- Informieren Sie Ihren Fachhändler unverzüglich.

## 5. Zweckbestimmung

**⚠️ WARNUNG: Sturzrisiko - Nutzen Sie den Rollator nicht, bei geschwächten Armen oder starken Gleichgewichtsstörungen.**

Der Rollator dient zum Ausgleich der verminderten Belastbarkeit oder Leistungsfähigkeit der unteren Extremitäten durch Kraft-/Abstützungseinsatz der oberen Extremitäten oder des Rumpfes und dient der Unterstützung und Sicherung des Gehens. Das Rollator verbessert Stabilität, Unterstützung und Sicherheit beim aufrechten Gehen.

Nicht einzusetzen ist der Rollator für Personen mit deutlichen Einschränkungen der Hand-/Armfunktionen oder mit ausgeprägten Balancestörungen.

Die Rollator kann sowohl innen wie außen genutzt werden.

Der Rollator darf nur auf Flächen verwendet werden, bei denen alle vier Räder Bodenkontakt haben. Nutzen Sie den Rollator nicht auf unebenen Böden oder starken Gefällen/Steigungen. (siehe technische Details: max. Neigung), da sonst Kippgefahr besteht.

Das Gehgestell dient nicht dem Personentransport oder dem Transport von Gegenständen. Nutzen Sie den Sitz nur, wenn die Parkbremse eingerastet ist.

## 6. Montage (Abb. 1)

- ⚠️ **VORSICHT: Kneifengefahr - Achten sie auf Ihre Finger.**
- ⚠️ **VORSICHT: Klemmgefahr – Halten Sie Ihre Finger fern von sich bewegenden Teilen der Rollator.**

Die Schritte 1 bis 9 sind vor der ersten Verwendung oder vor dem Transport des Rollators durchzuführen.

1. Entfernen Sie die Verpackung.
2. Lösen Sie die Klettverschlüsse.
3. Legen Sie den Rollator auf die Seite.
4. Führen Sie das Hinterrad nach unten (③), bis die Löcher ordnungsgemäß übereinander liegen.
5. Montieren Sie das Sternrad ②.
6. Führen Sie das Vorderrad nach unten, bis die Löcher ordnungsgemäß übereinander liegen.
7. Montieren Sie das Sternrad ⑤.
8. Legen Sie den Rollator auf die andere Seite.

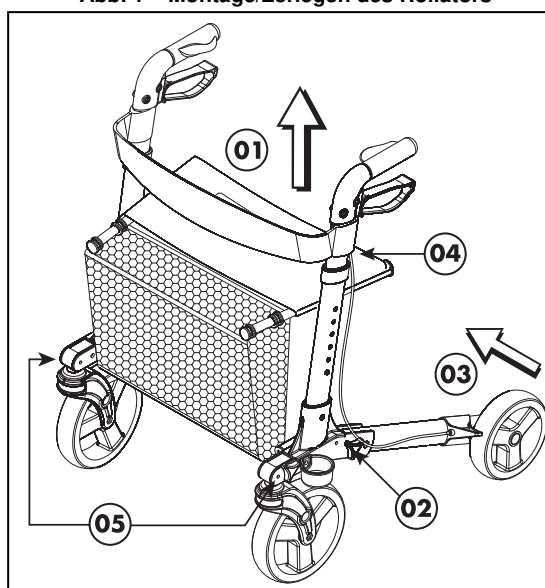
## 9. Wiederholen Sie die Schritte 4 bis 7 auf der anderen Seite.

## 10. Aufklappen des Rollators

- Entfalten Sie den Rollator indem Sie die Handgriffe seitlich drücken.
- Drücken Sie auf das Sitzrohr ④ um den Rollator in die endgültige Position zu falten. Drücken Sie so lange, bis der Verriegelungsmechanismus einrastet.
- Vergewissern Sie sich, dass der Rollator sicher eingerastet ist und nicht mehr zusammenklappt.

## 11. Stellen Sie die Schiebegriffe auf die gewünschte Höhe ein (siehe unten).

Abb. 1 – Montage/Zerlegen des Rollators



## 7. Zerlegen (Abb. 1)

- ⚠️ **VORSICHT: Kneifengefahr - Achten sie auf Ihre Finger.**
- ⚠️ **VORSICHT: Klemmgefahr – Halten Sie Ihre Finger fern von sich bewegenden Teilen der Rollator.**

## 1. Stellen Sie die Höhe der Handgriffe - auf Minimum (wie nachstehend beschrieben).

## 2. Zusammenklappen des Rollators

- Ziehen Sie vorsichtig am Handgriff des Sitzes ①, bis der Verriegelungsmechanismus entriegelt. Stellen Sie sich dazu in aufrechter Position hin.
- Falten Sie den Rollator zusammen indem Sie die Handgriffe oder die Sitzrohre zusammendrücken ②.



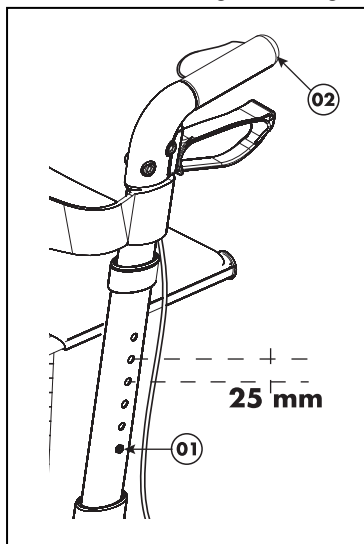
### 3. Vorbereitung für den Transport

- Lösen Sie das Sternrad ⑤.
- Klappen Sie das Vorderrad nach oben.
- Lösen Sie das Sternrad ②.
- Klappen Sie den hinteren Rahmen/das Hinterrad nach oben ③.
- Befestigen Sie den hinteren Rahmen/das Hinterrad mit Klettverschlüssen am Rahmen der Handgriffe.
- Wiederholen Sie die Schritte auf der anderen Seite.

### 8. Handgriffe (Abb. 2)

- ⚠ **VORSICHT:** Sturzgefahr – Überschreiten Sie nicht die max. Schiebegriffhöhe, da Ihr Rollator sonst nicht mehr stabil und sicher genutzt werden kann.

Abb. 2 – Einstellung der Handgriffe



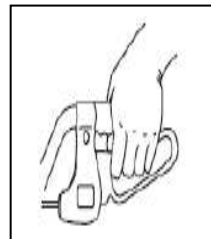
Die Handgriffe lassen sich in folgenden Schritten auf die richtige Höhe einstellen:

- Drücken Sie auf den Federknopf ①.
- Ziehen Sie den Handgriff ② in die gewünschte Höhe (6 verschiedene Positionen in 25mm-Schritten). Achten Sie darauf, dass sich der Brems-Bowdenzug nicht im Gehstützenhalter verfängt.
- Prüfen Sie, dass der Federknopf ① wieder sichtbar einrastet.
- Stellen Sie den anderen Handgriff ② auf die gleiche Weise ein.
- Stellen Sie sicher, dass beide Handgriffe ② in der gleichen Position stehen. (Bei aufrechtem Stehen sollten die Handgriffe in Höhe Ihrer Handgelenke stehen). Lassen Sie dazu Ihre Arme locker nach unten hängen. Die Ellenbogen sollten leicht gebeugt sein (ca. 20°-30°).

### 9. Bremssystem

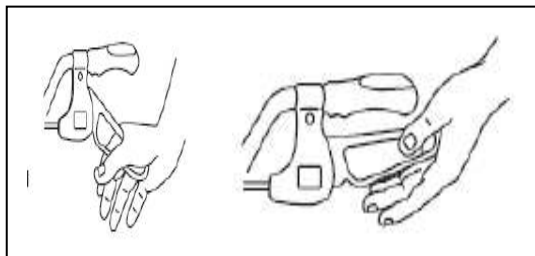
- ⚠ **WARNUNG:** Die ordnungsgemäße Funktion der Bremsen kann durch Verschleiß oder Schmutz (auch Wasser, Öl, Schlamm usw.) beeinträchtigt werden. - Überprüfen Sie daher vor jeder Nutzung den Zustand der Räder.
- ⚠ **WARNUNG:** Die Bremsen sind einstellbar und können verschleifen. Überprüfen Sie daher vor jeder Nutzung den Zustand der Bremsen.

Ihr Rollator ist mit einer Multifunktionsbremse ausgerüstet. Die Bremshebel, jeweils unter den Handgriffen, dienen sowohl als Betriebsbremse als auch als Parkbremse.



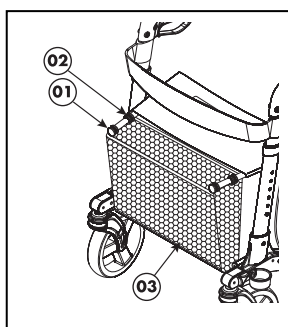
Für das kurzzeitige Bremsen (Betriebsbremse) ziehen Sie den Bremshebel nach oben in Richtung Handgriff an.

Zur dauerhaften Bremsung des Rollators (Parkbremse) drücken Sie den Bremsgriff komplett nach unten, bis dieser hörbar und fühlbar einrastet. Das so gebremste Rad ist blockiert, bis Sie den Bremshebel wieder leicht nach oben anziehen. Zum zeitlich begrenzten Blockieren beider Räder führen Sie die Funktion an beiden Bremsen (links und rechts) durch.



### 10. Korb

- ⚠ **WARNUNG:** Kippgefahr – Überladen Sie nicht den Einkaufskorb.



Der Einkaufskorb ③ ist nur zum Anbau an der Vorderseite unter dem Sitz gedacht. Montieren Sie den Einkaufskorb ③ mit den beiden Korbbefestigungen ① am Gestänge des Sitzrahmens des Rollators ②.

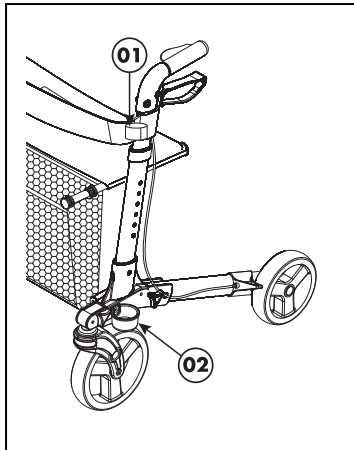
Die maximale Zuladung des Korbes beträgt max. 5 kg.

## 11. Befestigen/Entfernen von Gehstützen und Gehstöcken

**⚠️ WARNUNG: Verletzungsgefahr – vergewissern Sie sich, dass die Gehstütze bzw. der Gehstock sicher befestigt ist.**

Auf der linken Seite des Rollators befindet sich ein Gehstützenhalter ② mit Klettverschluss ①.

Setzen Sie die Gehstütze/den Gehstock in den Gehstützenhalter ② ein, und befestigen Sie die Gehstütze/den Gehstock mit dem Klettverschluss ①.



## 12. Sicherheitsanweisungen

- Achten Sie darauf, dass sich keine Steine oder andere Gegenstände in den Laufflächen der Räder befinden.
- Achten Sie darauf, dass die Bremsen erst immer in die Parkposition gestellt werden, bevor Sie den Rollator benutzen. Erst wenn Sie sicher stehen, lösen Sie die Parkbremsen.
- Verbrennungsgefahr: Seien Sie vorsichtig, wenn Sie den Rollator nach längerem Fahren in heißer oder kalter Umgebung (direkte Sonne, extreme Kälte, Sauna usw.) berühren.
- Stellen Sie sicher, dass die Schiebegriffe vor der Nutzung fest montiert wurden.
- Überzeugen Sie sich, dass der Arretierungspin gegen unbeabsichtigtes Zusammenfallen des Gehgestells immer eingerastet ist.
- Beginnen Sie erst mit dem Laufen, wenn Sie aufrecht stehen und beide Hände die Handgriffe erfasst haben.
- Fassen Sie die Handgriffe nicht mit nassen Händen an. Sie könnten abrutschen und den Halt verlieren.
- Stellen Sie während des Gehens Ermüdungserscheinungen fest, so setzen Sie sich auf der Sitzbank ab. Bringen Sie jedoch zuvor die Bremsen in Parkposition.

- **Das Produkt darf mit max. 130 kg belastet werden** und nur auf ebenen Wegen benutzt werden. Befahren Sie mit Ihrem Rollator keine Treppen oder Stufen, die höher als max. 40 mm sind.
- Bei der Benutzung draußen befahren Sie nur ebene Wege und Bevorzugen Sie abgesenkte Bordsteinkanten. Suchen Sie nach einer Stelle, bei der die Bordsteinkante abgesenkt ist.
- Begeben Sie sich mit Ihrem Rollator nicht in den fließenden Verkehr. Benutzen Sie ebene Fußwege.
- Vermeiden Sie das Gehen auf Kopfsteinpflaster oder ähnlichen Oberflächen. Sie könnten die Gewalt über Ihren Rollator verlieren.
- Vermeiden Sie die Benutzung auf stark ansteigenden Wegen oder auf Wegen, die starkes Gefälle haben.
- Verwenden Sie Ihren Rollator nicht zum Transport von Gegenständen oder Personen (Sitzfläche).
- Achten Sie auf die Pflege- und Wartungshinweise. Bei Schäden durch mangelnde Wartung/Pflege haftet der Hersteller nicht.

## 13. Pflege

Zum Reinigen verwenden Sie am besten eine Seifenlösung. Das Reinigungsmittel sollte in jedem Fall einen pH-Wert von min. 6 aufweisen. Verwenden Sie keine lösungsmittelhaltigen Reinigungsmittel. Beachten Sie die Hinweise der jeweiligen Desinfektionsmittel. Zur Reinigung verwenden Sie bitte ein feuchtes Tuch und lauwarmes Wasser. Vermeiden Sie eine Durchnässung. Verwenden Sie keine Metallbürsten oder andere scharfkantige oder spitze Reinigungsutensilien. Bei Lackschäden oder Holzschäden wenden Sie sich an Ihren Fachhändler. Regelmäßige Pflege erhält Ihren Rollator in einem einwandfreien und funktionstüchtigen Zustand.

## 14. Desinfektion

Zur Desinfektion verwenden Sie nur Desinfektionsmittel, die für die Behandlung von lackierten Metalloberflächen und Kunststoffoberflächen geeignet sind. Beachten Sie die Hinweise der jeweiligen Desinfektionsmittel. Verwenden Sie nur validierte Verfahren (Scheuerdesinfektion) und Desinfektionsmittel nach den Angaben des Robert-Koch-Institutes (Info über: [www.rki.de](http://www.rki.de)). Eine Desinfektion darf nur von dafür geschultem Personal durchgeführt

werden. Wenden Sie sich an Ihren Fachhändler.

## 15. Reparatur / Wartung / Inspektion

Die Lebenszeit des Rollators hängt ab von der Art der Nutzung, der Einlagerung, regelmäßigen Kontrollen, Service und Pflege.

Verwenden Sie ausschließlich VERMEIREN-Originalersatzteile. Reparaturen, Instandsetzungen dürfen nur von geschultem Personal durchgeführt werden. Nutzen Sie die Serviceleistungen Ihres Fachhändlers. Er wird Ihnen bei Wartung und Reparatur gerne weiterhelfen.

**Vor jedem Wiedereinsatz ist der Rollator zu warten, wobei folgende Kriterien geprüft werden:**

- Vollständigkeit
- funktion des faltmechanismus
- Überprüfung der Räder (Halt, Spur, Fixations)
- Rahmen (Verformung, Standsicherheit, Verschraubungen)
- Schiebegriffe (sichere Arretierung der Höhenverstellung, sicherer Halt der Schiebegriffe)
- Bremsen
- Sitzfläche, Rückengurt und der Korb sollten auf Beschädigungen überprüft werden
- Entfernung von Verschmutzungen
- **Lackschäden (mögliche Roststellen entfernen und lackieren)**

**Alle 8 Wochen:**

- Fettung (Bewegliche Verbindungen sollen gefettet sein)

**Alle 6 Monate (und vor jedem Wiedereinsatz) sollte der Unterarmkrücke gewartet werden nach folgenden Kriterien:**

- Allgemeine Inspektion
- Desinfektion

## 16. Verpackung und Lagerung

Bei der Verpackung und Lagerung des Rollators sind die folgenden Hinweise zu beachten:

- Nur in trockenen Räumen lagern (zwischen +5°C und +41°C).
- Einlagerung bei Luftfeuchtigkeit von 30 % bis 70 %.
- Achten Sie darauf, den Rollator ausreichend abzudecken oder zu verpacken, um ihn vor Rost und Fremdkörpern zu schützen (z. B. Salzwasser, Seeluft, Sand und Staub).

- Der Rollator müssen belastungsfrei gelagert werden. (legen Sie keine schweren Teile auf den Rollator, klemmen Sie den Rollator nicht zwischen anderen Teilen ein usw.).

## 17. Gewährleistung

Auszug aus den allgemeinen Geschäftsbedingungen:

(...)

5. In verschiedenen Ländern können die Gewährleistungsbestimmungen unterschiedlich sein. Wenden Sie sich an Ihren Fachhändler, für die Verjährungsfrist für Gewährleistungsansprüche.

(...)

Wir übernehmen keine Gewähr bei Schäden, die durch konstruktive Veränderungen an unseren Produkten, mangelnde Wartung, fehlerhafte oder unsachgemäße Behandlung oder Lagerung oder Verwendung von anderen als Original-Ersatzteilen entstanden sind. Die Gewährleistung auf Verschleißteile bzw. auf Teile, die einer natürlichen Abnutzung unterliegen, wird ebenfalls ausgeschlossen.

## 18. Entsorgung

Wenden Sie sich zur Entsorgung des Rollators an Ihr lokales Recyclingcenter, oder geben Sie das Produkt an den Fachhändler zurück. Dieser wird den Rollator nach einer fachgerechten Reinigung bzw. Desinfektion an den Hersteller zurücksenden, der ihn entsorgt bzw. recycelt.

Die Verpackungsmaterialien können Sie entweder zum Recycling geben oder bei Ihrem Fachhändler lassen.

## 19. Übereinstimmungserklärung

Der Hersteller oder sein bevollmächtigter Vertreter:

N.V. VERMEIREN NV

Adresse:

Vormerplein 118

3122 Kalmthout

Belgien

erklärt unter der eigenen Verantwortung, dass CE-markierte Produkte:

Produktgruppe: Rollatoren

Produktgruppe (CEN): Gehhilfe, Selbst (GMON 37501)

TAGC-Reg-Nummer: DG/CA01/11/12-0205-26-01

Markt: Vermeiren

Typ: 261, 276, 276MS, 296, 296S, 296D, 296S, 296SD, 297, 2

Delta, 4 Light, E101-Light, Quadri-Light

als Klasse / eingestuft worden, gemäß Anhang IX (3)(2)(EWG, Regel 1.

und hergestellt sind in völliger Konformität mit nachstehenden europäischen

Richtlinien - inklusive der letzten Änderungen - und mit den nationalen

Gesetzen, welche diese Richtlinien ausgestatten /

Richtlinie über Messtechnik (93/32/EWG, 2007

und den einschlägigen europäisch harmonisierten Standards entsprechen:

EN 12182:2012, EN 14816:1999, EN 14816:11199-2:2008

## MANUALE DI ISTRUZIONI

### Rollator a 4 ruote Quadri-Light

#### 1. Dati tecnici

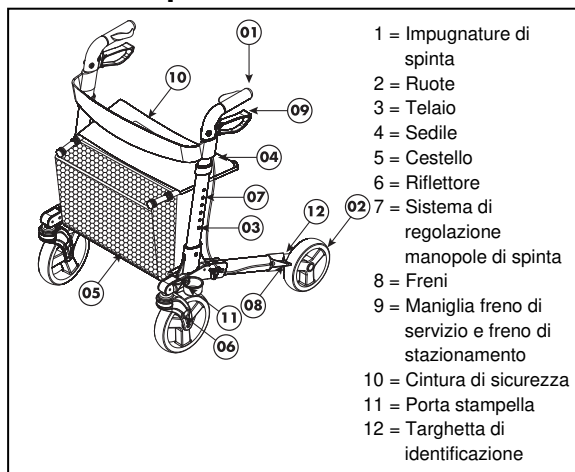
**⚠ AVVERTENZA: Pericolo di limiti non sicuri. Utilizzare solo nei limiti descritti nel presente manuale.**

<b>Produttore</b>	Vermeiren		
<b>Indirizzo</b>	Vermeirenplein 1 / 15 B-2920 Kalmthout		
<b>Tipo</b>	Rollator		
<b>Modello</b>	Quadri-light		
Larghezza	650 mm		
Larghezza (ripiegata)	290 mm		
Larghezza (trasporto)	290 mm		
Lunghezza (estesa)	700 mm		
Lunghezza (ripiegata)	700 mm		
Lunghezza (trasporto)	400 mm		
Altezza massima	930 mm		
Altezza minima	805 mm		
Altezza (ripiegata)	805 mm		
Altezza (trasporto)	670 mm		
Altezza del sedile	610 mm		
Larghezza del sedile	450 mm		
Profondità del sedile	200 mm		
Peso	<b>7,20 kg</b>	Con cestello	7,25 kg
Ruote	Anteriori: 8" (Ø 200 mm x 40 mm) Posteriori: 7" (Ø 178 mm x 40 mm)		
Freni	Freno multifunzionale		
Pendenza massima in avanti	15°		
Pendenza massima indietro	15°		
Pendenza massima laterale	10°		
Peso massimo dell'occupante	max. <b>130 kg</b>		
Altezza massimacestino	max. 5 kg		
Raggio di sterzata minimo	1310 mm		
Temperatura conservazione	+5°C - +41°C		
La casa produttrice si riserva il diritto di apportare modifiche tecniche. Tolleranza misurazioni ± 15 mm / 1,5 kg / °.			

Ringraziamo per la fiducia accordataci con l'acquisto di un articolo di nostra produzione. Prima di utilizzare il rollator leggere attentamente le presenti istruzioni, allo scopo di acquisire familiarità con il prodotto. Le istruzioni contengono inoltre indicazioni per la pulizia e la manutenzione del rollator. Si prega di tenere presente che il rispetto di queste indicazioni consentirà di mantenere il rollator perfettamente efficiente e funzionante anche dopo anni. Per qualsiasi chiarimento, rivolgersi al rivenditore specializzato.

Per individuare il centro assistenza o il rivenditore specializzato più vicino, contattare il centro Vermeiren. Nell'ultima pagina del manuale, è disponibile un elenco di centri Vermeiren autorizzati.

#### 2. Componenti



#### 3. Significato dei simboli

- Peso massimo
- Utilizzo interno ed esterno
- Conformità CE
- Prima dell'uso leggere le relative istruzioni!
- Osservare le istruzioni per la sicurezza
- Modello

#### 4. Controllo dopo la consegna

Sballare il prodotto e verificare che tutti i componenti siano stati consegnati. Devono essere incluse le parti seguenti:

- Telaio del rollator, compreso sedile e 4 ruote (premontati)
- Maniglie di spinta regolabili in altezza, complete di freno e impugnatura
- Cestello per la spesa
- Cintura di sicurezza
- Porta stampella
- Manuale di istruzioni

Verificare che non si siano prodotti danni durante il trasporto. In tal caso procedere come segue:

- Rivolgersi al corriere.
- Far certificare i danni
- Informare immediatamente il corriere.

## 5. Utilizzo previsto

**⚠ AVVERTENZA:** Per evitare rischi di caduta – Non usare il rollator in caso di debolezza nelle braccia o di scarso equilibrio.

Il rollator compensa la mancanza di sostegno adeguato di appoggio alle gambe o in movimento, con l'utilizzo degli arti superiori o torace. Il rollator garantisce una maggiore stabilità, supporto e sicurezza durante il cammino.

Tuttavia non potrà essere utilizzato da persone con un problema visibile di debole funzionamento del braccio/mano o con instabilità.

Il rollator può essere utilizzato per uso interno ed esterno.

Il rollator deve essere utilizzato su una superficie piana, in modo che tutte quattro le ruote pivotanti siano ben salde al suolo. Non deve essere utilizzato su terreni rocciosi o scoscesi (vedi dettagli tecnici: massima inclinazione) altrimenti potrebbe diventare instabile.

Il suo utilizzo non è previsto per il trasporto di persone o merce. Il sedile serve solo per sedersi, con freno di stazionamento azionato.

## 6. Montaggio (Fig. 1)

**⚠ ATTENZIONE:** Possibilità di pizzicamento - Non infilare le dita tra i componenti del rollator.

**⚠ ATTENZIONE:** Rischio di schiacciamento - Tenere le dita lontano dalle parti mobili del rollator.

Le fasi da 1 a 9 devono essere seguite per il primo utilizzo o per il trasporto del rollator.

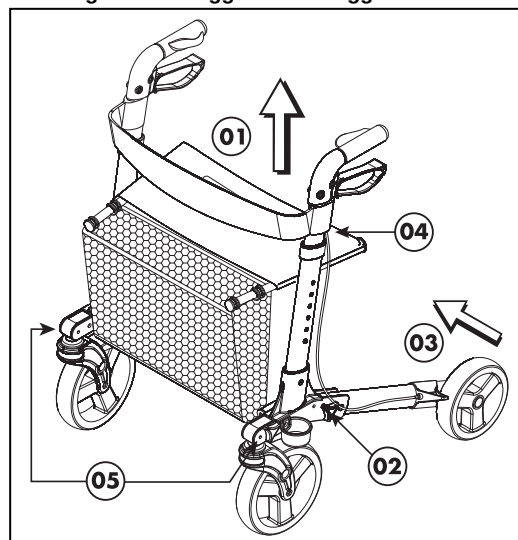
1. Rimuovere l'imballaggio.
2. Allentare le strisce in velcro.
3. Appoggiare il rollator su un fianco.
4. Muovere la ruota posteriore verso il basso (③) finché i fori non sono posizionati uno sopra l'altro.
5. Montare la manopola a stella ②.
6. Muovere la ruota anteriore verso il basso finché i fori non sono posizionati uno sopra l'altro.
7. Montare la manopola a stella ⑤.
8. Appoggiare il rollator sull'altro fianco.
9. Ripetere le fasi da 4 a 7 per l'altro lato.
10. Aprire il rollator
  - Aprire il rollator premendo sulle impugnature.
  - Premere su tubi del sedile ④ per aprire ulteriormente il rollator. Tenere premuto

fino al fissaggio del meccanismo di blocco.

- Controllare che il rollator sia fissato saldamente e che non possa più ripiegarsi.

## 11. Regolare le impugnature di spinta all'altezza desiderata (v. più avanti).

Fig. 1 – Montaggio / smontaggio del rollator



## 7. Smontaggio (Fig. 1)

**⚠ ATTENZIONE:** Possibilità di pizzicamento - Non infilare le dita tra i componenti del rollator.

**⚠ ATTENZIONE:** Rischio di schiacciamento - Tenere le dita lontano dalle parti mobili del rollator.

1. Regolare le impugnature di spinta all'altezza minima (vedi ulteriori dettagli)
2. Rollator pieghevole
  - Tirare leggermente l'impugnatura del sedile ① fino ad allentare il meccanismo di blocco in modo che sia possibile ripiegare il rollator (eseguire questa procedura mentre ci si trova in piedi in posizione diritta).
  - Piegare il rollator premendo sulle impugnatura o sui tubi del sedile ②.
3. Per il trasporto
  - Rimuovere la manopola a stella ⑤.
  - Ripiegare la ruota anteriore verso l'alto.
  - Rimuovere la manopola a stella ②.
  - Ripiegare la ruota / il telaio posteriore verso l'alto ③.
  - Assicurare la ruota / il telaio posteriore al telaio delle impugnature con le strisce in velcro.

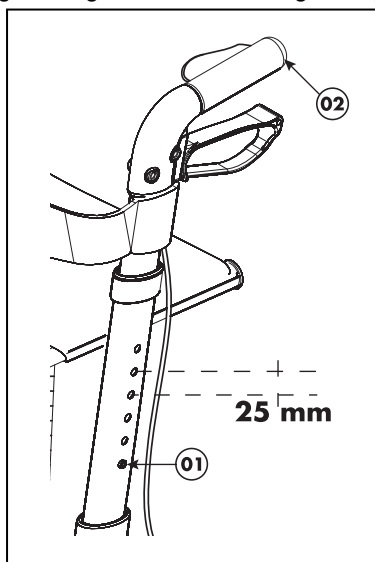


- Ripetere la procedura descritta sopra per l'altro lato.

## 8. Maniglie di spinta (Fig. 2)

- ⚠ **ATTENZIONE:** Per evitare rischi di caduta: non portare il rollator alla massima altezza causando perdita di stabilità.

Fig. 2 – Regolazione delle maniglie di spinta



Per regolare in altezza le maniglie di spinta, seguire la procedura seguente:

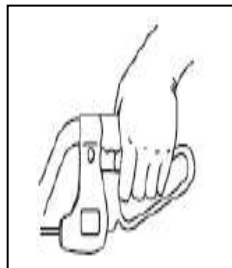
- Premere sull'aggancio ①.
- Muovere le maniglie di spinta ② fino all'altezza desiderata (6 posizioni diverse ad intervalli di 25 mm). Verificare che il cavo del freno non si attorcigli attorno al porta stampella.
- Verificare che l'aggancio ① sia ben posizionato nel foro.
- Regolare l'altra impugnatura ② seguendo le stesse istruzioni.
- Verificare che entrambe le impugnature ② si trovino nella stessa posizione. In posizione eretta le maniglie di spinta devono essere all'altezza dei polsi. Lasciare le braccia a penzoloni. L'angolo dei gomiti deve essere flesso tra i 20° ed i 30°.

## 9. Sistema frenante

- ⚠ **AVVERTENZA:** sull'adeguato funzionamento dei freni incide l'usura e la sporcizia accumulata sulle ruote (acqua, olio, fango, ecc.). Verificare la condizione delle ruote prima di ciascun utilizzo.

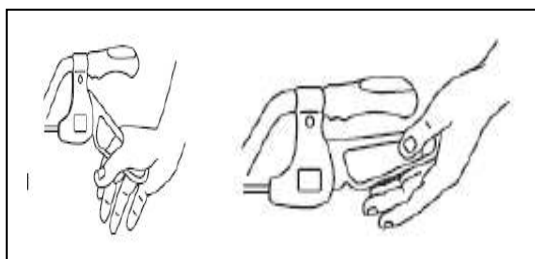
- ⚠ **AVVERTENZA:** I freni possono usurarsi. Verificare il funzionamento dei freni prima di ogni utilizzo.

Il rollator è dotato di freno multifunzione. Le leve del freno, poste sotto all'impugnatura della maniglia, fungono da freno di servizio e freno di stazionamento.



Per frenare normalmente (freno di servizio) tirare la leva del freno verso l'alto in direzione dell'impugnatura.

Per frenare in modo permanente (freno di stazionamento) premere la leva del freno a fondo verso il basso, fino a quando non si sente e non si avverte che è innestata a fondo. La ruota frenata in questo modo resta bloccata fino a quando non si tira la leva del freno verso l'alto. Per un bloccaggio di breve durata di due ruote azionare le due leve del freno.

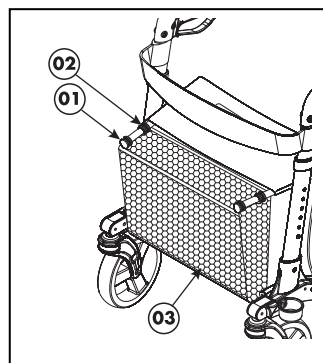


## 10. Cestello

- ⚠ **AVVERTENZA:** Per evitare il rischio di ribaltamento non sovraccaricare il cestino.

Il cestino ③ è previsto per essere montato sulla parte anteriore del rollator. Montare il cestino ③ utilizzando gli attacchi del cestello ①, ai tubolari del telaio del sedile del rollator ②.

Il cestino può contenere un peso massimo di Kg.5

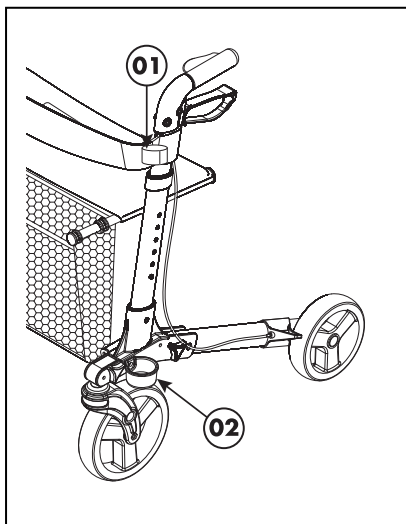


## 11. Posizionamento / rimozione di stampelle o bastoni

**⚠ AVVERTENZA: Rischio di lesioni - Verificare che la stampella o il bastone siano fissati saldamente.**

Sul lato sinistro del rollator sono posizionati un porta stampella ② e una striscia in velcro ①.

Collocare la stampella / il bastone nel porta stampella ② e bloccare la stampella / il bastone con la striscia in velcro ①.



## 12. Istruzioni per la sicurezza

- Verificare che non vi siano pietre o altri oggetti sul piano di scorrimento delle ruote.
- Prima di utilizzare il rollator il freno di stazionamento deve essere sempre inserito. Quando si è in condizioni di sicurezza togliere il freno.
- Pericolo di ustioni. Prestare attenzione durante l'uso in ambienti caldi o freddi (esposizione al sole, freddo estremo, sauna, ecc.) per un determinato periodo di tempo e quando si tocca il dispositivo.
- Prima di utilizzare il rollator verificare che le maniglie di spinta siano bloccate.
- Accertarsi che il perno di sicurezza pieghevole / fisso del deambulatore sia sempre inserito.
- Durante l'uso non sollevare il rollator perché potrebbe ripiegarsi, con rischio di caduta. Iniziare a spingere quando si è in posizione eretta con entrambe le mani sulle impugnature.
- Non tenere le maniglie con le mani umide, perché potrebbero scivolare facendo perdere l'equilibrio.
- Durante la marcia imparare a riconoscere i primi segni di affaticamento, in modo da potersi riposare sul sedile. Prima di sedersi inserire il freno di stazionamento.

- **Il rollator è progettato per un carico massimo di 130 kg** e per marcia in piano.

Non superare con il rollator scalini o gradini di altezza superiore a 40 mm.

- Utilizzare il rollator all'esterno, trovando aree pianeggianti e stabili su cui utilizzarlo. Evitare cordoli e/o buche profonde. Passare dove i maciapedi sono stati adeguati alle normative per l'abbattimento delle barriere architettoniche.
- Non avventurarsi nel traffico col rollator. Utilizzare piste pedonali piane.
- Evitare di procedere su ciottoli e simili, perché si potrebbe perdere il controllo del rollator.
- Evitare percorsi in salita e in discesa.
- Non utilizzare il rollator per il trasporto di cose o persone (sul sedile).
- La casa costruttrice declina ogni garanzia e responsabilità in caso di uso improprio e di mancata esecuzione dei controlli prescritti nelle istruzioni per l'uso. La casa costruttrice declina ogni garanzia e responsabilità in caso di uso improprio e di mancata esecuzione dei controlli prescritti nelle istruzioni per l'uso.

## 13. Pulizia

Per la pulizia utilizzare una soluzione a base di sapone neutro. L'eventuale detersivo deve in ogni caso avere un pH di almeno 6. Non utilizzare detersivi contenenti solventi. Attenersi alle istruzioni fornite a corredo del detersivo. Per la pulizia utilizzare un panno inumidito con acqua tiepida. Non bagnare eccessivamente il panno. Non utilizzare spazzole metalliche o oggetti abrasivi o appuntiti. In caso di danni alla vernice o ad altri componenti in legno rivolgersi al rivenditore. Una pulizia regolare consente di mantenere il rollator in ottime condizioni e perfettamente funzionante.

## 14. Disinfezione

Per sterilizzare il sedile, utilizzare soltanto disinfettanti adatti per il trattamento di metallo verniciato e superfici in plastica. Attenersi alle istruzioni fornite a corredo del detersivo. La disinfezione a sfregamento deve essere effettuata con le soluzioni disinfettanti e le percentuali di diluizione indicate nelle raccomandazioni del Robert-Koch-Institut ([www.rki.de](http://www.rki.de)). La disinfezione dev'essere effettuata dal personale addetto all'igiene o da esso delegato. Rivolgersi al rivenditore.

## 15. Riparazione / Manutenzione / Controllo

La durata del prodotto dipende dall'utilizzo, dalla manutenzione, dallo stoccaggio e dalla pulizia.

Utilizzare solo le parti di ricambio autorizzate Vermeiren. Le riparazioni e le manutenzioni devono essere eseguite da personale competente. Rivolgersi al servizio di assistenza per le riparazioni e la manutenzione. Saranno lieti di assisterla per qualsiasi problema di servizio e riparazione.

**Prima di riprendere a utilizzare il rollator, deve essere sottoposto a manutenzione attenendosi ai seguenti criteri:**

- Completezza
- Meccanismo di chiusura
- Verifica delle ruote (stabilità, direzione, viti di fissaggio)
- Telaio (deformazione, stabilità, collegamenti a vite)
- Maniglie di spinta (bloccaggio sicuro del sistema di regolazione dell'altezza, buon supporto delle maniglie)
- Freni
- Usura o possibili danni al sedile, cintura di sicurezza e cestino
- Pulizia
- **Danni alla vernice (eliminare e riverniciare eventuali tracce di ruggine).**

### Ogni 8 settimane

- Lubrificazione (le connessioni mobili devono essere leggermente ingrassate)

**Ogni sei mesi o per ogni nuovo utente, è necessaria la manutenzione in base ai seguenti criteri:**

- Controllo generale.
- Disinfezione

## 16. Trasporto e conservazione

Il trasporto e la conservazione del prodotto devono essere conformi alle seguenti istruzioni:

- Conservare solo in ambienti asciutti (+5°C - +41°C).
- Umidità relativa tra 30 e il 70 %.
- Assicurare sufficiente protezione o imballaggio da preservare il prodotto da ruggine e corpi estranei (per es. acqua salata, aria di mare, sabbia).
- Conservare il prodotto senza sottoporlo a sollecitazioni. (Non appoggiare parti

pesanti sul prodotto, non incastrarlo tra altri oggetti ...)

## 17. Garanzia

Tranne per le "Condizioni generali aziendali": (...)

5. In alcuni paesi le condizioni della garanzia possono differire. Consultare il rivenditore per il periodo relativo ai reclami in garanzia.

(...)

Non rientrano in garanzia danni derivanti da modifiche strutturali ai prodotti, scarsa manutenzione, gestione o conservazione difettosa o impropria, né utilizzo di parti non originali.

Non rientrano inoltre in garanzia parti o parti operative soggette a usura e logoramento naturali.

## 18. Smaltimento

Al momento dello smaltimento del rollator, contattare il centro di raccolta locale o restituire il prodotto al rivenditore, che dopo averlo sottoposta a una procedura igienica la potrà inviare al produttore che la smaltirà e riciclerà nel modo corretto, separando componenti e materiali.

I materiali di imballaggio possono essere portati ai centri di raccolta o riconsegnati al rivenditore.

## 19. Dichiarazione di conformità

Il fabbricante o il distributore:

N.V. VERMEIREN N.V.

Indirizzo:

Vermeirenpark 115

2005 Kalmthout

Belgio

dichiaro sotto la propria responsabilità, che i seguenti dispositivi medici marchiati CE:

Gruppo Prodotto: Deambulatore e rollator

Gruppo Prodotto (IMEUN): Rollator pieghevole (OMRON 37951)

Regolazione ente I-430: 8813A0111/2-4295-25-CLJ

Marchio: Vermeiren

Tipi: 251, 275, 275B95, 295, 295B, 295D, 295E, 56wrtot, 201 e Delta, 4 Light, 8 Light, Quadri-Light

sono classificati come di Classe I, come da allegato IX 53-42/CEE, riga 1.

e vengono fabbricati secondo le normative sotto riportate, comprese le ultime

variazioni e secondo la legge nazionale che regola le norme delle direttive

Normative dei dispositivi medici (EU) 2017/745

e rispettano le seguenti normative europee armonizzate:

EN 12182: 2012, EN 1489: 1995, EN ISO 11194-2: 2008.



## MANUAL DE INSTRUCCIONES

### Andador con 4 ruedas Quadri-Light

#### 1. Datos técnicos

**⚠ ADVERTENCIA: Riesgo por ajustes peligrosos; utilice únicamente los ajustes indicados en este manual.**

Fabricante	Vermeiren		
Dirección	Vermeirenplein 1/15, B-2920 Kalmthout		
Tipo	Andador		
Modelo	Quadri-light		
Anchura	650 mm		
Ancho (plegado)	290 mm		
Ancho (transporte)	290 mm		
Longitud (desplegado)	700 mm		
Longitud (plegado)	700 mm		
Longitud (transporte)	400 mm		
Altura máxima	930 mm		
Altura mínima	805 mm		
Altura (plegada)	805 mm		
Altura (transporte)	670 mm		
Altura del asiento	610 mm		
Anchura del asiento	450 mm		
Profundidad del asiento	200 mm		
Peso	<b>7,20 kg</b>	Con cesta	7,25 kg
Ruedas	Delantera: 8" (Ø 200 mm x 40 mm) Traseras: 7" (Ø 178 mm x 40 mm)		
Frenos	Freno multifuncional		
Inclinación máx. hacia delante	15°		
Inclinación máx. hacia atrás	15°		
Inclinación máx. lateral	10°		
Peso máximo del usuario	máx. <b>130 kg</b>		
Peso máximo de la cesta	máx. 5 kg		
Amplitud de giro	1310 mm		
Temperatura de almacenamiento	+5°C - +41°C		
Derechos de modificación reservados. Tolerancia de la medida ± 15 mm/1,5 kg/ °.			

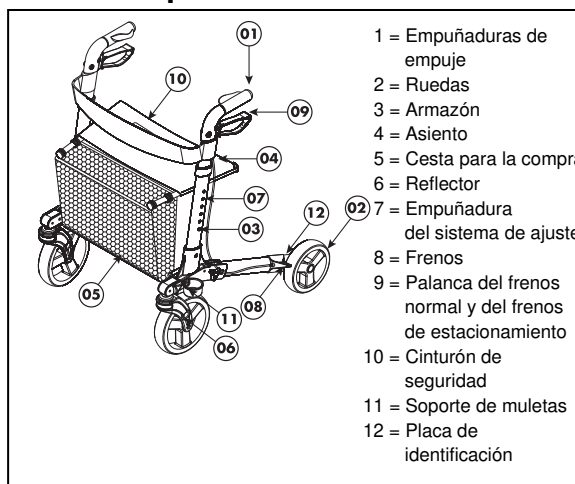
En primer lugar, queremos agradecerle la confianza que ha puesto en nosotros eligiendo un producto **VERMEIREN**. Antes de usar el andador, lea atentamente el manual de instrucciones para familiarizarse con este producto.

También obtendrá consejos acerca de los cuidados y mantenimiento de su andador. Recuerde que si sigue nuestros consejos mantendrá su andador en excelente estado de conservación y funcionará perfectamente durante años.

Si tiene más preguntas, le rogamos que consulte a su distribuidor especializado.

Para encontrar un centro de servicio o un distribuidor especializado cerca de usted, póngase en contacto con el centro Vermeiren más próximo. Puede encontrar una lista con los centros Vermeiren en la última página.

#### 2. Componentes



#### 3. Explicación de los símbolos



Peso máximo



Uso en el interior y en el exterior



Conformidad con la normativa CE



Lea el manual de instrucciones antes de utilizarlo



Siga las instrucciones de seguridad



Designación de tipo

#### 4. Comprobación tras la entrega

Desembale el producto y compruebe que incluye todos los componentes. El paquete debe contener los siguientes elementos:

- Armazón del andador con asiento, 4 ruedas (montadas)
- Empuñaduras de empuje de altura ajustable con frenos
- Cesta para la compra
- Cinturón de seguridad
- Soportes de muletas
- Manual

Inspeccione el producto para comprobar si ha sufrido daños durante el transporte. Si encuentra daños tras la entrega, proceda de la siguiente manera:

- Póngase en contacto con el transportista
- Haga una lista con los problemas detectados
- Póngase en contacto con su proveedor

## 5. Uso previsto

**⚠ ADVERTENCIA: Riesgo de caída: no use el andador si no tiene equilibrio o fuerza en los brazos.**

El andador compensa la falta de apoyo de las piernas con la inclinación sobre el andador o el desplazamiento con él mediante el uso de las extremidades superiores o el pecho. El andador mejora la estabilidad y ofrece mayor apoyo y seguridad al caminar.

No obstante, su uso no está permitido para personas con la función de una mano y/o de un brazo visiblemente debilitada ni para personas con problemas de equilibrio.

El andador puede emplearse tanto al aire libre como en espacios cerrados.

El andador sólo debe emplearse sobre superficies en las que las cuatro ruedas estén en contacto con el suelo. No debe usarse en terrenos pedregosos o en pendientes (consulte el apartado de inclinación máxima de los detalles técnicos), puesto que el andador podría perder estabilidad.

Este producto no está concebido para el transporte de personas u objetos. El asiento únicamente puede usarse con el freno de estacionamiento bloqueado.

## 6. Montaje (Imagen 1)

- ⚠ PRECAUCIÓN: Peligro de pillarse los dedos: no coloque los dedos entre los componentes del andador.**
- ⚠ PRECAUCIÓN: Riesgo de que los dedos queden atrapados: mantenga los dedos alejados de las partes móviles del andador.**

Los pasos del 1 al 9 deben realizarse la primera vez que utilice el andador o cuando vaya a transportarlo.

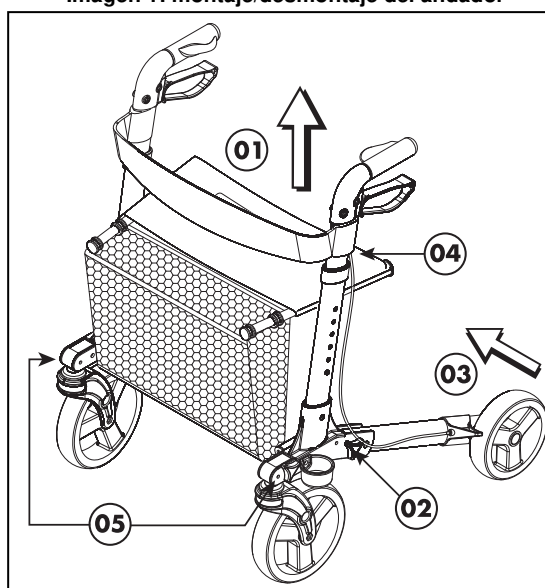
1. Retire el embalaje.
2. Afloje las correas de velcro.
3. Coloque el andador sobre su costado.
4. Baje la rueda trasera (③) hasta que los orificios coincidan.
5. Monte el pomo de estrella ②.
6. Baje la rueda delantera hasta que los orificios coincidan.
7. Monte el pomo de estrella ⑤.
8. Coloque el andador sobre su otro costado.
9. Repita los pasos del 4 al 7 en el otro lado.

## 10. Desplegado del andador

- Despliegue el andador apretando las empuñaduras.
- Empuje los tubos del asiento ④ para desplegar completamente el andador. Siga empujando hasta que el mecanismo de bloqueo quede asegurado.
- Verifique que el andador ha quedado bien asegurado y que no se puede plegar.

## 11. Ajuste las empuñaduras para empujar a la altura deseada (más detalles a continuación).

Imagen 1: montaje/desmontaje del andador



## 7. Desmontaje (Imagen 1)

- ⚠ PRECAUCIÓN: Peligro de pillarse los dedos: no coloque los dedos entre los componentes del andador.**
- ⚠ PRECAUCIÓN: Riesgo de que los dedos queden atrapados: mantenga los dedos alejados de las partes móviles del andador.**

### 1. Ajuste las empuñaduras de empuje en la posición mínima (más detalles a continuación).

### 2. Plegado del andador

- Tire un poco de la empuñadura del asiento ① hasta que se suelte el mecanismo de bloqueo y pueda plegar el andador (esta operación debe realizarse mientras el usuario permanece de pie).
- Pliegue el rollator empujando las empuñaduras o tirando de los tubos del asiento ②.

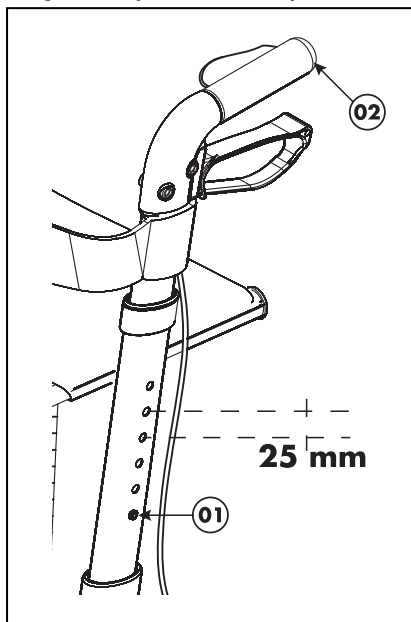
### 3. Transporte

- Retire el pomo de estrella ⑤.
- Pliegue la rueda delantera hacia arriba.
- Retire el pomo de estrella ②.
- Pliegue la rueda y el armazón traseros hacia arriba ③.
- Sujete con las correas de velcro la rueda y el armazón traseros al armazón de las empuñaduras.
- Repita los pasos anteriores en el otro lado.

### 8. Empuñaduras (Imagen 2)

⚠ **PRECAUCIÓN: Riesgo de caída: no sobrepase el ajuste máximo; de lo contrario, su andador dejará de ser estable.**

Imagen 2 – Ajuste de las empuñaduras



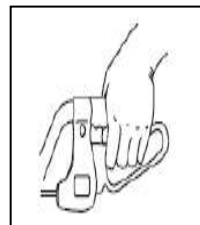
Realice los siguientes pasos para ajustar la altura de las empuñaduras para empujar:

- Presione el pasador ①.
- Mueva la empuñadura ② hasta la altura deseada (6 posiciones distintas: intervalos de 25 mm). Verifique que el cable del freno no quede en el soporte para muletas.
- Compruebe que el pasador ① queda firmemente fijado en el agujero con un clic.
- Ajuste el otro empuñadura ② del mismo modo.
- Verifique que ambas empuñaduras ② se ajustan en la misma posición. Cuando esté de pie, las empuñaduras deben encontrarse a la altura de las muñecas. Deje que le cuelguen los brazos libremente. Los codos deberían estar flexionados entre 20 y 30°.

### 9. Sistema de frenado

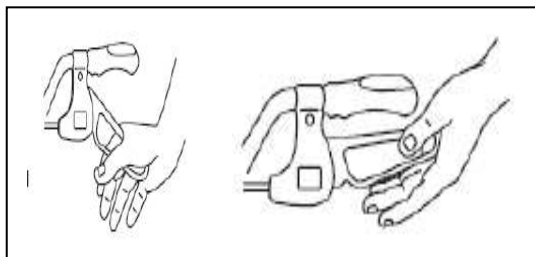
- ⚠ **ADVERTENCIA: El buen funcionamiento de los frenos se ve afectado por el desgaste y la suciedad de los neumáticos (agua, grasa, barro...). Compruebe el estado de los neumáticos antes de cada uso.**
- ⚠ **ADVERTENCIA: Los frenos pueden desgastarse: compruebe su funcionamiento antes de cada uso.**

El andador está equipado con un sistema de frenos multifuncional. Las palancas de freno, que se encuentran debajo de las empuñaduras de empuje, actúan como frenos normales y también como frenos de estacionamiento.



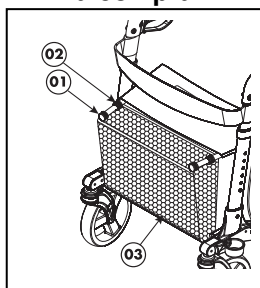
Para frenar brevemente (frenos normales), tire hacia arriba de la palanca de freno (hacia la empuñadura de empuje).

Para frenar de forma prolongada (freno de estacionamiento), presione la palanca de freno hacia abajo hasta que oiga un sonido de bloqueo procedente del freno. En ese momento, las ruedas (emplee los frenos de estacionamiento izquierdo y derecho simultáneamente) quedarán bloqueadas hasta que vuelva a tirar hacia arriba de la palanca de freno.



### 10. Cesta

- ⚠ **ADVERTENCIA: Riesgo de caída, vuelco: no sobrecargue la cesta para la compra.**



La cesta de compra ③ está diseñada para montarse en la parte delantera.. Monte la cesta para la compra ③ con sus dos accesorios ① en los tubos del armazón del asiento del andador ②.

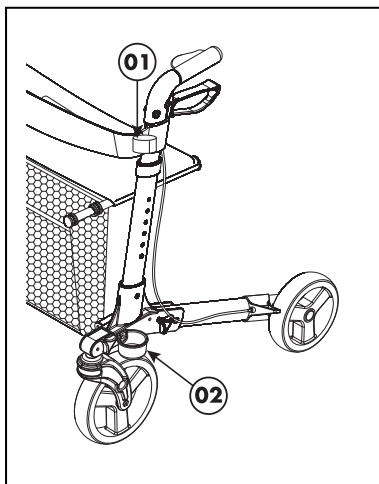
El peso máximo que puede llevar la cesta es de 5 kg.

## 11. Montaje / desmontaje de las muletas o del bastón

**⚠ ADVERTENCIA: Riesgo de lesiones. Verifique que las muletas o el bastón estén bien montados.**

En el lado izquierdo del andador hay un soporte para las muletas ② y una correa de velcro ①.

Coloque las muletas o el bastón en el soporte para las muletas ② y sujételos con la correa de velcro ①.



## 12. Instrucciones de seguridad

- Asegúrese de que no hay piedras ni otros objetos bloqueando el uso normal de las ruedas del andador.
- Asegúrese de que los frenos o el andador están siempre en el modo de estacionamiento antes de usar el andador. Cuando esté de pie y se sienta cómodo y estable, desbloquee los frenos de estacionamiento.
- Riesgo de quemaduras: tenga cuidado cuando circule por entornos calientes o fríos (luz solar, frío extremo, saunas, etc.) durante un período de tiempo prolongado, ya que podría quemarse al tocar el dispositivo.
- Antes de cada uso, compruebe que las empuñaduras de empuje estén firmemente bloqueada.
- Asegúrese de que el sistema de seguridad que evita plegados/despliegues involuntarios funciona correctamente.
- Únicamente debe comenzar a moverse con su andador cuando se sienta cómodo de pie y cuando tenga las dos manos sobre las empuñaduras de empuje.
- No sujete las empuñaduras de empuje con las manos mojadas. Si lo hiciera, podría no tener un buen agarre y perder el equilibrio.

- Cuando sienta cansancio, bloquee los frenos de estacionamiento de su andador y tome asiento en el banco.
- **El peso máximo del usuario del andador es de 130 kg** y sólo puede usarse sobre una superficie plana. No use el andador en una escalera o en superficies con baches superiores a 40 mm.
- En el exterior, busque zonas planas y estables para usar el andador. Evite bordillos y/o agujeros profundos. Encuentre un lugar donde los bordillos estén biselados.
- No se meta entre el tráfico con el andador. Quédese siempre en la acera o en el arcén.
- Evite caminos con baches o tierra. Sobre ese tipo de calzada podría perder el control de la estabilidad del andador.
- Evite caminos con mucha inclinación.
- No use el andador para transportar a personas u objetos.
- Tenga en cuenta las instrucciones de cuidado y mantenimiento. El fabricante no asume ninguna responsabilidad por los daños derivados de un cuidado o mantenimiento incorrectos.

## 13. Cuidados

Se recomienda usar una solución jabonosa para la limpieza. El líquido limpiador debe en todo caso tener un pH de al menos un valor de 6. No emplee un agente limpiador que contenga disolventes. Siga las instrucciones del líquido limpiador empleado. Utilice un trapo húmedo y agua tibia para limpiar la muleta. Evite empaparla. No use cepillos metálicos ni cualquier otro utensilio de limpieza afilado o puntiagudo. En caso de daños en el esmalte o las piezas de madera, consulte con su distribuidor especializado. Si aplica cuidados periódicos, se asegurará de que el andador se conserve en un estado funcional perfecto.

## 14. Desinfección

Para la esterilización, emplee únicamente desinfectantes adecuados para el tratamiento de superficies de metal esmaltado y de plástico. Siga las instrucciones del líquido limpiador empleado. Emplee únicamente procesos (para la desinfección por frotamiento) y desinfectantes comprobados que estén incluidos en la lista del Robert Koch Institute (encontrará información en: [www.rki.de](http://www.rki.de)). Sólo el personal con la debida formación puede llevar a cabo las desinfecciones. Consulte a su distribuidor especializado.

## 15. Reparaciones / Mantenimiento / Inspección

La vida útil del andador depende del uso, del almacenamiento, del mantenimiento periódico, de las inspecciones y de la limpieza.

Debe usar únicamente repuestos originales de VERMEIREN. Sólo el personal con la debida formación puede llevar a cabo las reparaciones y puestas a punto. Haga uso de los servicios que ofrece su distribuidor especializado, que estará encantado en proporcionarle más ayuda en lo referente al mantenimiento y las reparaciones.

**Antes de volver a usar el andador, debe realizarse una revisión conforme a los siguientes criterios:**

- Estado completo
- Mecanismo de plegado
- Ruedas pivotantes (estabilidad, rodada, tornillos de fijación)
- Armazones (deformación, estabilidad, conexiones)
- Empuñadura de empuje (bloqueo seguro del sistema de ajuste de altura, buen apoyo de las empuñaduras)
- Frenos
- Asiento, cinturón de seguridad y bolsa para la compra (desgaste o daños)
- limpieza
- **Esmalte dañado (eliminación de posible óxido y nueva capa de pintura)**

**Cada 8 semanas:**

- Lubricación (deben engrasarse las piezas móviles)

**Cada 6 meses o para cada nuevo usuario, debería realizarse una revisión conforme a los siguientes criterios:**

- revisión general
- Desinfección

## 16. Envío y almacenamiento

El envío y almacenamiento del andador deben realizarse conforme a las instrucciones siguientes:

- Almacenamiento en un lugar seco (entre +5°C y +41°C).
- La humedad relativa del aire debe situarse entre 30% y 70%.
- Cubra o empaquete el andador lo suficiente como para protegerlo de la oxidación y de cuerpos extraños (p. ej. agua salada, brisa marina, arena, polvo, etc.).

- El andador se debe almacenar sin estar sujeto a cargas (no coloque piezas pesadas sobre el producto, no lo encaje entre otros objetos, etc.).

## 17. Garantía

Extracto de las "Condiciones Comerciales Generales".

(...)

5. Las condiciones de la garantía pueden variar de un país a otro. Consulte a su distribuidor especializado el período para reclamaciones en garantía.

(...)

La garantía no incluye los daños provocados por cambios estructurales en nuestros productos, un mantenimiento insuficiente, una manipulación o almacenamiento defectuosos o inadecuados, o el uso de piezas no originales.

Asimismo, la garantía no incluye las partes o piezas funcionales sometidas al desgaste y la abrasión naturales.

## 18. Eliminación

Para desechar el andador, póngase en contacto con la planta de desechos de su región o devuelva el producto a su distribuidor especializado, quien, una vez realizado el proceso higiénico, devolverá la silla al fabricante, que la desechará o reciclará de forma correcta separando sus componentes. Los embalajes pueden llevarse a las plantas de desecho o reciclaje o a su distribuidor especializado.

## 19. Declaración de conformidad

El fabricante o su representante autorizado:  
N.V. VERMEIREN N.V.  
Dirección:  
Vermeirenpark 118  
3800 Kaalbeek  
Bélgica

declara bajo su propia responsabilidad, al mercado CE productos sanitarios:

Producto:	Andadores 1 solista
Producto (CEEN):	Andador plegable (MDN 31911)
ASMF (FAOQ):	
número de registro:	DE:CA201110-0295-26-CL1
Marca:	Vermeiren
Tipo:	201, 270, 270SES, 288, 298S, 304S, 298L, 298SL, 201P Delta, 4-light, ECO-Light, Coach-Light

se clasifican como Clase I según MDD 93/42/EEC Anexo IX, regla 1.

y fabricado en el pleno cumplimiento de las siguientes directivas europeas - incluyendo los cambios más recientes - y con la legislación nacional, que organice estas pautas:  
Directiva sobre productos médicos MDD 93/42/EEC, 2007

y cumplir con las normas europeas armonizadas pertinentes:  
EN 12182:2010, EN 14662:1999, EN 950:1199-7:2005



## Instrukcję obsługi **4-koła rolatora Quadri-Light**

### 1. Dane techniczne

**⚠ OSTRZEŻENIE:** Ryzyko niebezpiecznych ustawień — należy używać wyłącznie ustawień opisanych w tej instrukcji obsługi.

Producent	Vermeiren		
Adres	Vermeirenplein 1 / 15 B-2920 Kalmthout		
Typ	Rolatora		
Model	Quadri-light		
Szerokość	650 mm		
Szerokość (po złożeniu)	290 mm		
Szerokość (po przewożeniu)	290 mm		
Długość (po rozłożeniu)	700 mm		
Długość (po złożeniu)	700 mm		
Długość (po przewożeniu)	400 mm		
Wysokość maksymalna	930 mm		
Wysokość minimalna	805 mm		
Wysokość (po złożeniu)	805 mm		
Wysokość (po przewożeniu)	670 mm		
Wysokość siedziska	610 mm		
Szerokość siedziska	450 mm		
Głębokość siedziska	200 mm		
Waga	<b>7,20 kg</b>	Z koszykiem	7,25 kg
Kółka	Przednie: 8" (Ø 200 mm x 40 mm) Tylne: 7" (Ø 178 mm x 40 mm)		
Hamulce	Wielofunkcyjne		
Max. nachylenie do przodu	15°		
Max. nachylenie do tyłu	15°		
Max. nachylenie na boki	10°		
Maksymalna waga użytkownika	maks. <b>130 kg</b>		
Maksymalne obciążenie koszyka	maks. 5 kg		
Promień skrętu	1310 mm		
Temperatura przechowywania	+5°C - +41°C		
Producent zastrzega sobie prawo do wprowadzania zmian parametrów technicznych. Tolerancja pomiarów ± 15 mm / 1,5 kg / °			

Dziękujemy za zaufanie jakim nas Państwo obdarzyliście wybierając wyroby **VERMEIREN**.

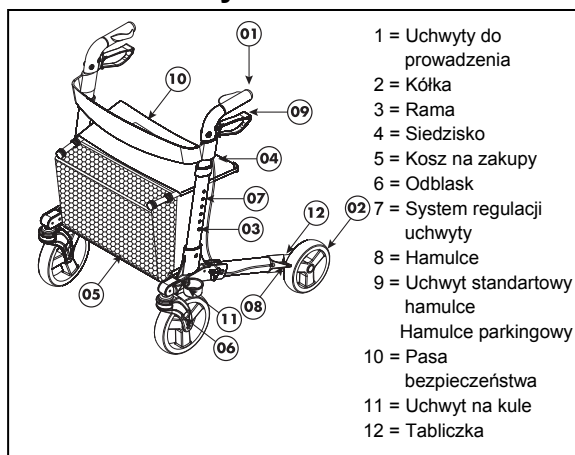
Przed użyciem należy zapoznać się z niniejszą instrukcją.

Instrukcja zawiera wskazówki ; jak konserwować i serwisować rolatora. Proszę pamiętać, że przestrzeganie niniejszych wskazówek pozwoli utrzymać wyrób w najlepszej kondycji oraz pozwoli na prawidłowe funkcjonowanie przez lata użytkowania.

W razie jakichkolwiek pytań prosimy kontaktować się ze sprzedawcą.

Aby uzyskać informację o odpowiednim punkcie serwisowym lub wyspecjalizowanym sprzedawcy, należy skontaktować się z najbliższym przedstawicielem firmy Vermeiren. Wykaz przedstawicieli firmy Vermeiren podano na ostatniej stronie.

### 2. Elementy składowe



### 3. Objasnienie symboli



Waga maksymalna



Użycie wewnątrz i na zewnątrz budynków



CE deklaracja



Przed użyciem przeczytać instrukcję obsługi.



Stosować się do instrukcji bezpieczeństwa.



Oznaczenie typu

### 4. Kontrola po dostawie

Dostarczony produkt należy rozpakować i sprawdzić, czy zawiera wszystkie elementy. W zestawie powinny znajdować się:

- Rama z siedziskiem na czterech kółkach
- Rączki do uchwyt z hamulcami
- Koszyk na zakupy
- Pasa bezpieczeństwa
- Uchwyt na kule
- Instrukcja obsługi

Proszę sprawdzić wyrób pod kątem zniszczeń w transporcie. Jeśli wyrób nosi ślady uszkodzeń w transporcie proszę zastosować się do poniższej procedury:

- Proszę skontaktować się i poinformować firmę transportową
- Sporządzić listę uszkodzeń
- Skontaktuj się ze sprzedawcą

## 5. Przeznaczenie

**⚠ OSTRZEŻENIE: Ryzyko upadku – Nie należy używać rolatora w przypadku ograniczonej sile ramion i przy zachwianym poczuciu równowagi.**

Rolator służy do podparcia dla osób, które mają nie wystarczająco siły w nogach podczas; samodzielnego stania, lub poruszania się. Gwarantuje lepszą stabilność, podparcie i bezpieczeństwo podczas chodzenia.

Aczkolwiek nie może być używany przez osoby ze słabymi rękami z dysfunkcjami ramion oraz przez osoby z zachwianym poczuciem równowagi.

Rolator może być używany na zewnątrz i wewnątrz pomieszczeń.

Z Rolatora należy korzystać wyłącznie na powierzchniach, na których wszystkie cztery koła dotykają podłoża. Nie należy używać rolatora w terenie skalistym i o dużym nachyleniu (patrz dane techniczne: Max nachylenie) rolator może stać się niestabilny. Balkonik nie służy do przewożenia osób i rzeczy. Użytkownik może siedzieć na siedzisku tylko wtedy kiedy hamulce są zaciągnięte.

## 6. Montaż (Rys. 1)

- ⚠ PRZESTROGA:** **Możliwość przytrzaśnięcia – nie wkładaj palców pomiędzy elementy rolatora.**
- ⚠ PRZESTROGA:** **Ryzyko przytrzaśnięcia – trzymać palce w bezpiecznej odległości od ruchomych części rolatora.**

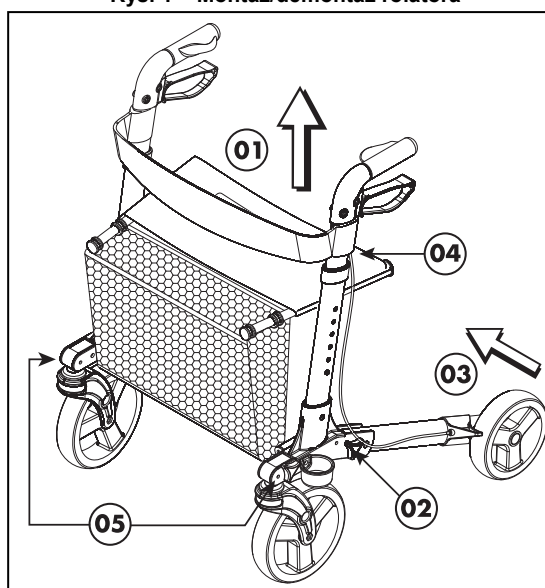
Jeżeli rolator będzie przewożony lub używany po raz pierwszy, konieczne jest wykonanie czynności opisanych w punktach 1 - 9.

1. Usunąć opakowanie.
2. Poluzować paski z rzepami.
3. Ułożyć rolator na boku.
4. Opuścić tylne koło (3) tak, aby otwory pokryły się ze sobą.
5. Zamontować wkręt gwiazdkowy (2).
6. Opuścić przednie koło tak, aby otwory pokryły się ze sobą.
7. Zamontować wkręt gwiazdkowy (5).
8. Ułożyć rolator na drugim boku.
9. Powtórzyć czynności opisane w punktach 4 - 7.
10. Rozkładanie rolatora.

- Rozłóż rolator naciskając na rączki do pchania.
- Aby rozłożyć go jeszcze bardziej, należy naciskać na rurki siedziska (4). Na rurki te należy naciskać tak długo, aż załączy się mechanizm blokujący.
- Sprawdzić, czy chodzik jest odpowiednio zmontowany oraz czy nie można go już bardziej rozłożyć.

## 11. Ustaw rączki na odpowiedniej wysokości (patrz dalej).

Rys. 1 – Montaż/demontaż rolatora



## 7. Demontaż (Rys. 1)

- ⚠ PRZESTROGA:** **Możliwość przytrzaśnięcia – nie wkładaj palców pomiędzy elementy rolatora.**
- ⚠ PRZESTROGA:** **Ryzyko przytrzaśnięcia – trzymać palce w bezpiecznej odległości od ruchomych części rolatora.**

### 1. Ustaw rączki do pchania w pozycji minimalnej (patrz dalej).

### 2. Składanie rolatora

- Pociągnąć delikatnie za uchwyt siedziska (1) tak, aby mechanizm blokujący rozłączył się oraz aby możliwe było złożenie rolatora (czynność tę należy wykonać stojąc prosto).
- Złożyć rolator, naciskając na uchwyty lub pociągając za rurki siedziska (2).

### 3. Przewożenie

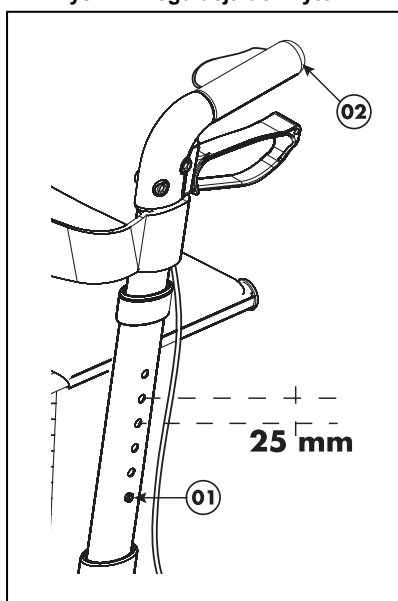
- Wykręć pokrętło (5).
- Podnieść przednie koła.
- Wykręć pokrętło (2).

- Złożyć ramę tylną/tylne koła, podnosząc ją/je ③.
- Przymocować ramę tylną/koło tylne rzepami do ramy uchwytów.
- Powtórzyć powyższe czynności po ułożeniu chodzika na drugim boku.

## 8. Uchwyty (Rys. 2)

- ⚠ **PRZESTROGA:** Ryzyko upadku – Nie należy przekraczać maksymalnego poziomu wysokości rączek do pchania. Rolator utraci stabilność.

Rys. 2 – Regulacja uchwytów



Wysokość położenia ustawić może być regulowana w następujący sposób:

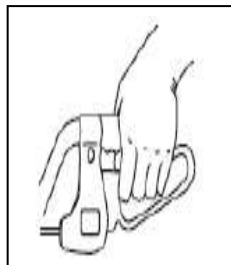
- Wciśnij sprężynkę blokującą ①.
- Przesuń uchwyt ② do pożądanego przez siebie poziomu. (6 różnych pozycji: miarka co 25 mm). Sprawdzić, czy linka hamulca nie zawija się wokół uchwytu na kule.
- Sprawdź czy sprężynka zabezpieczająca ① kliknęła i znalazła się w prawidłowym otworze.
- Wyregulować drugi uchwyt ②, wykonując te same czynności.
- Sprawdzić, czy oba uchwyty ② są ustawione w tej samej pozycji. Stojąc prosto, uchwyty powinny sięgać do twoich nadgarstków; ramiona powinny luźno zwisać. Łokcie powinny być zgięte pod kątem od 20° do 30°.

## 9. Hamulec

- ⚠ **OSTRZEŻENIE:** Na prawidłową pracę hamulców wpływ ma zużycie oraz zanieczyszczenie ogumienia (woda, olej, błoto, ...) – należy sprawdzać stan ogumienia przed każdym

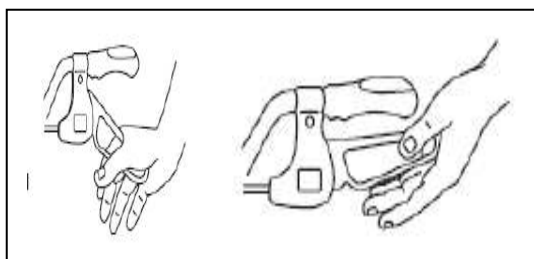
- ⚠ **OSTRZEŻENIE:** Hamulce są mogą ulec zużyciu – należy sprawdzać stan hamulców przed każdym użyciem.

Rolator został wyposażony w wielofunkcyjny hamulec. Uchwyt hamulca pod rączką do uchwyt może pracować jako hamulec standardowy jak również jako hamulec parkingowy.



Aby używać hamulca jako standardowego należy uchwyt hamulca zaciągać do góry.

Aby używać hamulca jako parkingowego należy uchwyt hamulca odepchnąć w dół do momentu aż usłyszysz charakterystyczny dźwięk włączenia hamulca. Koła w tym momencie są zablokowane aby je odblokować należy pociągnąć ponownie uchwyt hamulca do góry (należy używać obydwu hamulców parkingowych na raz).

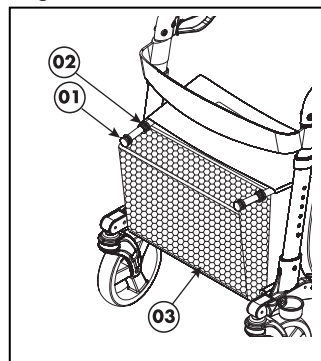


## 10. Koszyk

- ⚠ **OSTRZEŻENIE:** Ryzyko upadku- Nie należy przeładowywać koszyka na zakupy.

Koszyk na zakupy ③ montuje się na przedniej części ramy. Do montażu koszyka ③ służą dwa łączniki ①, które zakłada się na rurki siedziska rolatora ②.

Maksymalne obciążenie podczas używania rolatora - 5 kg.



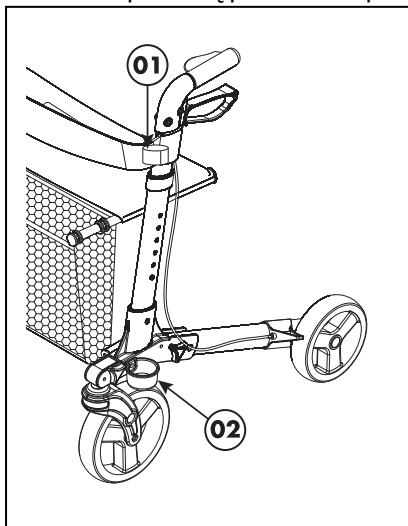


## 11. Mocowanie kuli, laski w uchwycie/wyciąganie ich z uchwytu

**⚠ OSTRZEŻENIE:** Ryzyko obrażeń - sprawdzić, czy kula lub laska jest dobrze zamocowana.

Po lewej stronie chodzika znajduje się uchwyt na kulę ② z paskiem z rzepem ①.

Umieścić kulę/laskę w uchwycie ② i zamocować za pomocą paska z rzepem ①.



## 12. Instrukcje bezpieczeństwa

- Należy się upewnić, że podczas używania rolatora nic nie blokuje kół (kamień lub inna przeszkoda).
- Należy się upewnić, że hamulce są zawsze w trybie parkingowym przed używaniem rolatora. Kiedy użytkownik jest pewny, że jego wyprostowana postawa jest stabilna i pewna można odblokować hamulce.
- Istnieje ryzyko poparzenia - Należy zachować ostrożność podczas przewożenia przy bardzo wysokich i niskich temperaturach (na ostrym słońcu, mrozie, w saunie itp.) przez dłuższy czas i przy kontakcie ze skórą.
- Przed używaniem należy upewnić się, że do uchwyt są dokładnie dociśnięte.
- Należy sprawdzić, czy blokada służąca składania i rozkładania balkonik działa poprawnie.
- Posługiwanie się rolatora do chodzenia jest dozwolone tylko wtedy kiedy użytkownik czuje się stabilnie i komfortowo oraz dwie ręce spoczywają na rączkach do uchwyt.
- Nie należy chwytać rączek do uchwyt wilgotnymi dłońmi. Ręce mogą się ześliznąć z uchwytów i w ten sposób użytkownik może utracić równowagę.

- Jeśli podczas używania rolatora użytkownik poczuje się zmęczony, należy zablokować hamulce i usiąść na półce.
- Maksymalna dopuszczana waga użytkownika to 130 kg** i rolator może być używany tylko na równej powierzchni. Nie należy używać rolatora na schodach lub na nierównej nawierzchni maksymalna wysokość nierówności 40 mm.
- Podczas używania rolatora na zewnątrz, staraj się aby powierzchnia była równa i stabilna. Należy unikać krawężników i głębokich dziur. Szukaj miejsc z łagodnymi zjazdami, niskimi krawężnikami.
- Nie należy używać rolatora w ruchu ulicznym tylko na chodniku. Używaj tylko na chodniku.
- Należy unikać ścieżek wyboistych i piaszczystych. Grozi utratą kontroli nad rolatorem i stabilności.
- Należy unikać ścieżek bardzo stromych.
- Nie należy używać rolatora do przewożenia osób lub innych rzeczy.
- Proszę dokładnie zapoznać się z instrukcją w zakresie bezpieczeństwa iserwisu. Producent nie bierze odpowiedzialność za zniszczenia spowodowane przez nie właściwe użytkowanie i konserwację.

## 13. Pielęgnacja

Zaleca się do czyszczenia używanie roztworu wody z mydłem. Płyn do czyszczenia nie powinien mieć PH na poziomie przekraczającym 6. Nie należy używać środków czyszczącychzawierających rozpuszczalnik. Należy zawsze zwrócić uwagę na instrukcję środka czyszczącego. Do czyszczenia należy używać wilgotnej ściereczki oraz letniego płynu. Unikać przemoczenia. Nie należy używać metalowych szczotek oraz żadnych innych ostrych przyborów czyszczących. W przypadku uszkodzenia lakieru lub stolarki, skonsultuj się ze sprzedawcą. Regularna pielęgnacja rolatora pozwala utrzymać je w idealnym stanie.

## 14. Dezynfekcja

Do sterylizacji należy stosować wyłącznie środki odkażające przeznaczone do powlekanych powierzchni metalowych i powierzchni plastikowych. Należy zawsze zwrócić uwagę na instrukcję środka czyszczącego. Zaleca się stosować środki sprawdzone które są na liście Instytutu

Roberta Kocha (informacje można uzyskać na stronie: [www.rki.de](http://www.rki.de)). Dezynfekcja może być przeprowadzona wyłącznie przez przeszkolone osoby. Należy skontaktować się ze sprzedawcą.

## 15. Naprawy/konserwacja/ przeglądy

Na żywotność rolatora ma wpływ sposób używania, sposób przechowywania, dokonywanie regularnych oględzin, utrzymanie w czystości.

Należy używać wyłącznie oryginalnych części zamiennych. Naprawy i remonty powinny być przeprowadzone wyłącznie przez przeszkolone osoby. Jeśli to możliwe należy korzystać z serwisu dostawcy. On chętnie pomożemy w odniesieniu do usług i remontów.

**Przed każdym używaniem rolator powinien być sprawdzony pod względem:**

- Kompletności
- Prawidłowego działania mechanizmu składania.
- Funkcjonowania kółek (stabilność, właściwości jezdne, mocowanie śrub)
- Ramy, (uszkodzenia, deformacje, stabilność)
- Kondycji rączek do uchwyt (bezpiecznego blokowania regulacji wysokości, prawidłowego podparcia)
- Hamulce
- Kondycji takich elementów jak: siedzisko, oparcie koszyk .
- Czyszczenie
- **Uszkodzenia powłoki lakierniczej (usunąć możliwą rdzę i przemałować)**

**Co 8 tygodni:**

- Smarowanie (ruchome części powinny być smarowane)

**Co 6 miesięcy lub przed każdym nowym użytkownikiem, kula powinna być poddana:**

- Przeglądowi generalnemu
- Dezynfekcja

## 16. Wysyłka I Przechowywanie

Podczas transportu i przechowywania rolatora należy się stosować do następujących instrukcji:

- Kula łokciowa powinna być przechowywana wyłącznie w suchych pomieszczeniach (od + 5°C do + 41°C).
- Względna wilgotność powietrza: 30–70%.

- Zapewnić odpowiednie przykrycie lub opakowanie chroniące rolatora przed rdzą i ciałami obcymi (np. słoną wodą, morskim powietrzem, piaskiem, pyłem).
- Przechowywane elementy muszą być wolne od nacisku (nie umieszczają ciężkich części na rolatora, nie wciskać pomiędzy inne obiekty ...).

## 17. Gwarancja

Wycinek z „Ogólnych warunków prowadzenia działalności”:

(...)

5. Warunki gwarancji mogą się różnić w zależności od kraju. Poprosz wykwalfikowanego sprzedawcę o informacje o okresie trwania gwarancji.

(...)

Gwarancja nie obejmuje uszkodzeń powstałych na skutek dokonywania zmian strukturalnych produktu, niewystarczającej konserwacji, niewłaściwego użytkowania lub przechowywania lub korzystania z nieoryginalnych części.

Gwarancja nie obejmuje również części lub części ruchomych podlegających naturalnemu zużyciu.

## 18. Utylizacja

Podczas utylizacji rolatora należy się skontaktować z lokalnym centrum składowania odpadów lub zwrócić produkt wyspecjalizowanemu sprzedawcy, który po poddaniu wózka procedurze czyszczącej może odesłać go do producenta, który z kolei podda produkt odpowiedniej utylizacji i recyklingowi, rozkładając go na materiały składowe.

Materiały pakunkowe można oddać do centrum utylizacji i recyklingu lub wyspecjalizowanemu sprzedawcy.

## 19. Deklaracja zgodności

Producent lub jego upoważniony przedstawiciel  
N.V. VERBODEN B.V.  
Adres:  
Verboordweg 110  
2001 AA Haarlem  
Holanda  
Declaracja na własną odpowiedzialność. Wszelkie dane podane są zgodnie z CE  
Produkt: Rolator  
Produkt (Euras): Rolator, pomocniczy składnik (0004 2100)  
Poleć numer sprzętowy: 00000011000000000000  
Marka: Verboten  
Typ: 201, 275, 31000, 340, 390, 450, 500, 550, 600, 650, 700  
Data: 8 lipca 2014 r. Quadri-light 2014-10  
By wyrażenie jako osoba fizyczna z numerem PECE 43420007, reprezentuję CE, składam  
i wyrażam się w pełnej odpowiedzialności i odpowiedzialności za treść niniejszej deklaracji.  
Wyrażam się zgodnie z art. 18(1) dyrektywy 2002/95/WE  
w tym zakresie, że produkt ten jest zgodny z dyrektywą 2002/95/WE  
i że produkt ten jest zgodny z dyrektywą 2002/95/WE.  
Data: 8 lipca 2014 r. (Miejscowość) i Data: 20 maja 2014 r.  
Oraz zgodnie ze z deklaracją zgodności z dyrektywą 2002/95/WE  
PECE 4342 2014 2014 1000 0000 7000 00111000 0 0000

## ITALIANO

### GARANZIA CONTRATTUALE

La carrozzine manuali sono garantite 5 anni, la carrozzine ultra leggera 4 anni. Le carrozzine elettroniche, tricicli, letti e altri prodotti: 2 anno contro tutti i difetti di costruzione o di materiale (batterie 6 mesi). Multiposizioni 3 anni. Questa garanzia e' limitata alle sostituzione di parti riconosciute difettose.

### CONDIZIONI

Per far valere la garanzia, e' necessario indirizzarla al vostro distributore di fiducia che presentera' al produttore il tagliando.

### RISERVE

Questa garanzia non potra' essere applicata nei seguenti casi:

- danno dovuto al cattivo ed improprio utilizzo della carrozzina,
- danno subito durante il trasporto,
- incidente o caduta,
- smontaggio, modifica, o riparazione effettuate in proprio, usura abituale della carrozzina,
- invio del tagliando di garanzia con la data di acquisto.



# VERMEIREN



**GARANTÍA  
GARANTIE  
WARRANTY  
GARANTIE  
GARANZIA**

N.V. VERMEIREN N.V. Tel.: 00 32 (0)3 620 20 20  
VERMEIRENPLEIN 1-15 Fax: 00 32 (0)3 666 48 94  
B-2920 Kalmthout [www.vermeiren.com](http://www.vermeiren.com)

**B**

Naam/Nom/Name  
Name/Nome

Adres/ Adresse/Address  
Adresse/Indirizzo

Woonplaats/Domicile/Home  
Wohnort/Citta

E-mail

Artikel/Article/Article  
Artikel/Articolo

Reeks nr./N° de série/Serie nr.  
Serien-Nr./No. di serie

Aankoopdatum/Date d'achat/Date of purchase  
Kaufdatum/Data di acquisto

Stempel verkoper/Timbre du vendeur  
Dealer stamp/Händlerstempel  
Timbro del rivenditore

**A**

Nombre/Nom/Name  
Name/Nome

Dirección/Adresse/Address  
Adresse/Indirizzo

Ciudad/Domicile/Home  
Wohnort/Citta

E-mail

Artículo/Article/Article  
Artikel/Articolo

Núm. de serie/N° de série/Serie nr.  
Serien-Nr./No. di serie

Fecha de adquisición/Date d'achat/Date of purchase  
Kaufdatum/Data di acquisto

Sello del distribuidor /Timbre du vendeur  
Dealer stamp/Händlerstempel  
Timbro del rivenditore

**CONTRATO DE GARANTÍA**

Garantía de 5 años para sillas de ruedas estándar. Garantía de 4 años para las sillas de ruedas ligeras. Garantía de 2 años para las sillas de ruedas electrónicas, triciclos, camias y otros productos. (las baterías tienen una garantía de 6 meses). Garantía de 3 años para las sillas de ruedas multi-posición. Esta garantía se limita a la sustitución de las piezas defectuosas o recambios.

**CONDICIONES DE APLICACIÓN**

Para reclamar esta garantía, debe de entregar a su distribuidor oficial de Vermeiren el apartado "B" de esta tarjeta. La garantía sólo es válida cuando las piezas son sustituidas por Vermeiren Bélgica.

**EXCEPCIONES**

- Esta garantía no es válida en caso de:
- Daños debidos a un uso incorrecto de la silla de ruedas.
  - Daños durante el transporte.
  - Involucración en un accidente.
  - Desmontaje, modificación o reparación que no haya sido realizada por nuestra compañía y / o distribuidor oficial de Vermeiren.
  - Desgaste normal de la silla de ruedas.
  - Que no se entregue la tarjeta de garantía

**GARANTIE CONTRACTUELLE**

Les fauteuils manuels standard sont garantis 5 ans, les fauteuils ultra légers 4 ans. Les fauteuils électroniques, tricycles, lits et d autres produits: 2 ans contre tous vices de construction ou de matériaux (batteries 6 mois).

Cette garantie est expressément limitée au remplacement des éléments ou pièces détachées reconnues défectueuses.

**CONDITIONS D'APPLICATION**

Pour prétendre à cette garantie, il faut présenter le certificat de garantie que vous avez conservé à votre distributeur Vermeiren. La garantie est uniquement valable au siège de la société.

**RESERVES**

- Cette garantie ne pourra être appliquée en cas de:
- dommage dû à la mauvaise utilisation du fauteuil,
  - endommagement pendant le transport,
  - accident ou chute,
  - démontage, modification ou réparation fait en dehors de notre société,
  - usure normale du fauteuil,
  - non retour du coupon de garantie.

**CONTRACTUAL WARRANTY**

We offer 5 years of warranty on standard wheelchairs, lightweight wheelchairs 4 years. Electronic wheelchairs, tricycles, beds and other products: 2 years (batteries 6 months) and multipoosition wheelchairs 3 years. This warranty is limited to the replacement of defective or spare parts.

**APPLICATION CONDITIONS**

In order to claim its warranty, part "B" of this card has to be given to your official Vermeiren dealer. The warranty is only valid when parts are replaced by Vermeiren in Belgium.

**EXCEPTIONS**

- This warranty is not valid in case of:
- damage due to incorrect usage of the wheelchair,
  - damage during transport,
  - involvement in an accident,
  - a dismount, modification or repair carried outside of our company and/or official Vermeiren dealership,
  - normal wear of the wheelchair,
  - non-return of the warranty card

**GARANTIEERKLÄRUNG**

Wir garantieren, dass für unsere Rollstühle hochwertige Produkte verwendet werden, die in sorgfältiger Verarbeitung nach dem neuesten Stand der Technik montiert werden. Bevor Ihr Rollstuhl unser Werk verlassen hat, wurde er einer eingehenden Endkontrolle unterzogen, um auch letzte, eventuell vorhandene Mängel aufzuspüren.

Auf Standardrollstühle gewähren wir eine Garantie von 5 Jahren, auf Leichtgewichtrollstühle 4 Jahre, auf elektronische Rollstühle, Dreiräder, Betten und andere Produkte: 2 Jahre (Batterien 6 Monate), auf Multifunktionsrollstühle 3 Jahre.

In dieser Garantie eingeschlossen sind alle Mängel, die auf einen Produkt- oder Verarbeitungsfehler zurückzuführen sind. Dieser Garantie unterliegen keine Schäden aus unsachgemäßer Benutzung. Ebenfalls sind Verschleißteile von der Garantie ausgenommen.

Sollte einmal der Fall eingetreten sein, dass Sie aus berechtigtem Grunde mit Ihrem Rollstuhl unzufrieden sind, so wenden Sie sich bitte unverzüglich an Ihren Fachhändler. Er wird sich in enger Zusammenarbeit mit uns darum bemühen, eine für Sie zufriedenstellende Lösung zu finden.

**A**

- Por favor entéguelo en el plazo de 8 días a partir de la fecha de compra o registre su producto en nuestra página web, <http://www.vermeiren.be/registration>
- à renvoyer dans les 8 jours après achat ou régistrez votre produit sur notre site, <http://www.vermeiren.be/registration>
- please return within 8 days of date of purchase or register your product at our website, <http://www.vermeiren.be/registration>
- zurückschicken innerhalb von 8 Tagen nach kauf oder registrieren Sie Ihr Produkt auf unserer website, <http://www.vermeiren.be/registration>
- da restituire entro 8 giorni dalla data di acquisto o registri il vostro prodotto al nostro web site, <http://www.vermeiren.be/registration>

**B**

- en caso de reparación, por favor, añada el apartado "B".
- en cas de réparation, veuillez ajouter la carte "B".
- in case of repair, please add part "B".
- im Falle einer Reparatur, Karte "B" beifügen
- in case di riparazione, rispediteci la carta "B".



N.V. VERMEIREN N.V.  
Vermeirenplein 1/15  
B-2920 Kalmarhout  
BELGIUM





## SERVICE

The rollator was serviced:  
Le rollator roulant contrôlé:  
De rollator is gecontroleerd:

Das Rollator wurde überprüft:  
Il deambulatore è stat ispezionata:  
La andador ha sido revisado:  
Z chodzik był serwisowany:

Dealer's stamp • Cachet du revendeur • Stempel van de handelaar  
Händlerstempel • Timbro del rivenditore • Sello del distribuidor •  
Dealerzy pieczęć:

Date • Datum • Data • Fecha:

Dealer's stamp • Cachet du revendeur • Stempel van de handelaar  
Händlerstempel • Timbro del rivenditore • Sello del distribuidor •  
Dealerzy pieczęć:

Date • Datum • Data • Fecha:

Dealer's stamp • Cachet du revendeur • Stempel van de handelaar  
Händlerstempel • Timbro del rivenditore • Sello del distribuidor •  
Dealerzy pieczęć:

Date • Datum • Data • Fecha:

Dealer's stamp • Cachet du revendeur • Stempel van de handelaar  
Händlerstempel • Timbro del rivenditore • Sello del distribuidor •  
Dealerzy pieczęć:

Date • Datum • Data • Fecha:

Dealer's stamp • Cachet du revendeur • Stempel van de handelaar  
Händlerstempel • Timbro del rivenditore • Sello del distribuidor •  
Dealerzy pieczęć:

Date • Datum • Data • Fecha:

Dealer's stamp • Cachet du revendeur • Stempel van de handelaar  
Händlerstempel • Timbro del rivenditore • Sello del distribuidor •  
Dealerzy pieczęć:

Date • Datum • Data • Fecha:

Dealer's stamp • Cachet du revendeur • Stempel van de handelaar  
Händlerstempel • Timbro del rivenditore • Sello del distribuidor •  
Dealerzy pieczęć:

Date • Datum • Data • Fecha:

Dealer's stamp • Cachet du revendeur • Stempel van de handelaar  
Händlerstempel • Timbro del rivenditore • Sello del distribuidor •  
Dealerzy pieczęć:

Date • Datum • Data • Fecha:

Dealer's stamp • Cachet du revendeur • Stempel van de handelaar  
Händlerstempel • Timbro del rivenditore • Sello del distribuidor •  
Dealerzy pieczęć:

Date • Datum • Data • Fecha:

Dealer's stamp • Cachet du revendeur • Stempel van de handelaar  
Händlerstempel • Timbro del rivenditore • Sello del distribuidor •  
Dealerzy pieczęć:

Date • Datum • Data • Fecha:

- For service checklists an additional technical information, please see our specialist dealers nearest to you. More information on our website at: [www.vermeiren.com](http://www.vermeiren.com).
- Les listes des contrôles à effectuer lors des entretiens de même que toute autre information technique sont disponibles auprès de nos filiales. Pour de plus amples informations, consultez le site: [www.vermeiren.fr](http://www.vermeiren.fr).
- Servicelijsten en andere technische informatie kunt u aanvragen bij onze vestigingen. Meer informatie vindt u ook op: [www.vermeiren.be](http://www.vermeiren.be).
- Servicechecklisten und weitere technische Informationen erhalten Sie über unsere Niederlassungen. Informationen unter: [www.vermeiren.de](http://www.vermeiren.de), [www.vermeiren.at](http://www.vermeiren.at), [www.vermeiren.ch](http://www.vermeiren.ch).
- Gli elenchi di controllo di manutenzione e ulteriori informazioni tecniche sono disponibili presso le nostre filiali. Per informazioni consultare il sito: [www.vermeiren.com](http://www.vermeiren.com).
- Para un servicio de revisión o información técnica adicional, por favor, consulte a nuestros distribuidores especialistas más cercanos. Más información en nuestra página web: [www.vermeiren.com](http://www.vermeiren.com).
- Po dodatkowe informacje techniczne oraz listę części zamiennych proszę się kontaktować z naszym wyspecjalizowanymi dystrybutorami w pobliżu miejsca zamieszkania. Więcej informacji na naszej stronie [www.vermeiren.pl](http://www.vermeiren.pl).





---

## Notes

A series of horizontal dotted lines for writing notes.



## Belgium

### N.V. Vermeiren N.V.

Vermeirenplein 1 / 15  
B-2920 Kalmthout  
Tel: +32(0)3 620 20 20  
Fax: +32(0)3 666 48 94  
website: [www.vermeiren.be](http://www.vermeiren.be)  
e-mail: [info@vermeiren.be](mailto:info@vermeiren.be)

## France

### Vermeiren France S.A.

Z. I., 5, Rue d'Ennevelin  
F-59710 Avelin  
Tel: +33(0)3 28 55 07 98  
Fax: +33(0)3 20 90 28 89  
website: [www.vermeiren.fr](http://www.vermeiren.fr)  
e-mail: [info@vermeiren.fr](mailto:info@vermeiren.fr)

## Italy

### Vermeiren Italia

Viale delle Industrie 5  
I-20020 Arese MI  
Tel: +39 02 99 77 07  
Fax: +39 02 93 58 56 17  
website: [www.reatime.it](http://www.reatime.it)  
e-mail: [info@reatime.it](mailto:info@reatime.it)

## Poland

### Vermeiren Polska Sp. z o.o

ul. Łączna 1  
PL-55-100 Trzebnica  
Tel: +48(0)71 387 42 00  
Fax: +48(0)71 387 05 74  
website: [www.vermeiren.pl](http://www.vermeiren.pl)  
e-mail: [info@vermeiren.pl](mailto:info@vermeiren.pl)

## Czech Republic

### Vermeiren ČR S.R.O.

Nadrazni 132  
702 00 Ostrava 1  
Tel: +420 596 133 923  
Fax: +420 596 133 277  
website: [www.vermeiren.cz](http://www.vermeiren.cz)  
e-mail: [info@vermeiren.cz](mailto:info@vermeiren.cz)

## Germany

### Vermeiren Deutschland GmbH

Wahlerstraße 12 a  
D-40472 Düsseldorf  
Tel: +49(0)211 94 27 90  
Fax: +49(0)211 65 36 00  
website: [www.vermeiren.de](http://www.vermeiren.de)  
e-mail: [info@vermeiren.de](mailto:info@vermeiren.de)

## Austria

### L. Vermeiren Ges. mbH

Winetzhammerstraße 10  
A-4030 Linz  
Tel: +43(0)732 37 13 66  
Fax: +43(0)732 37 13 69  
website: [www.vermeiren.at](http://www.vermeiren.at)  
e-mail: [info@vermeiren.at](mailto:info@vermeiren.at)

## Switzerland

### Vermeiren Suisse S.A.

Hühnerhubelstraße 59  
CH-3123 Belp  
Tel: +41(0)31 818 40 95  
Fax: +41(0)31 818 40 98  
website: [www.vermeiren.ch](http://www.vermeiren.ch)  
e-mail: [info@vermeiren.ch](mailto:info@vermeiren.ch)

## Spain / Portugal

### Vermeiren Iberica, S.L.

Carratera de Cartellà, Km 0,5  
Sant Gregori Parc Industrial Edifici A  
17150 Sant Gregori (Girona)  
Tel: +34 972 42 84 33  
Fax: +34 972 40 50 54  
website: [www.vermeiren.es](http://www.vermeiren.es)  
e-mail: [info@vermeiren.es](mailto:info@vermeiren.es)