



# KLARSTEIN

Chal-tec GmbH  
Wallstraße 16,  
10179 Berlin, Germany  
WEEE-Nr.: DE 46906833

Importer for Great Britain:  
Berlin Brands Group UK Ltd  
PO Box 1145  
Oxford, OX1 9UW  
United Kingdom

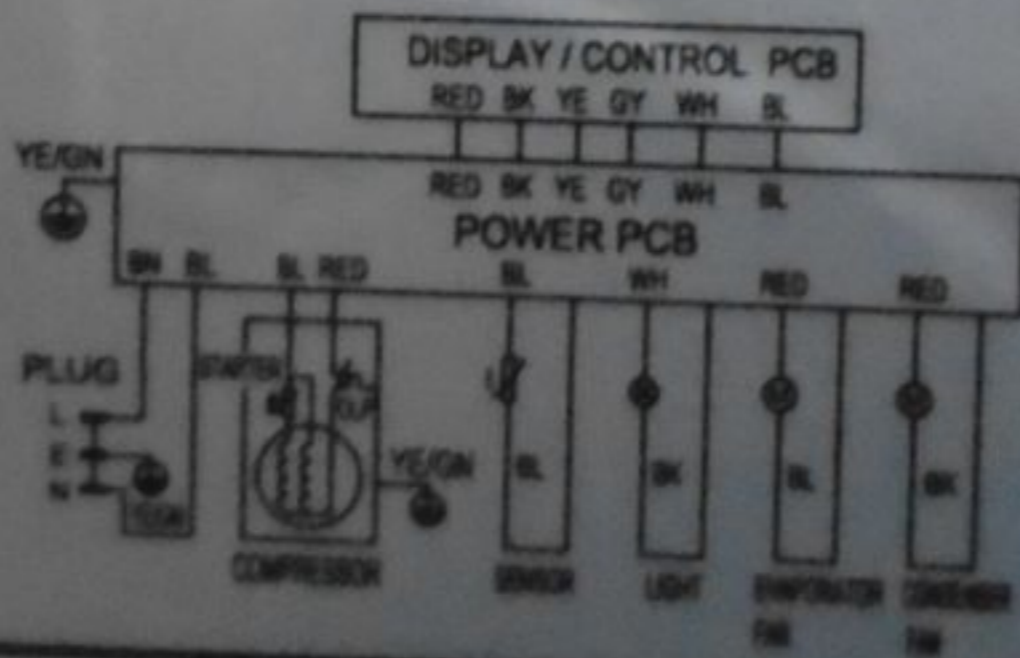
Item-Nr.: 10036180  
Description: Wine Cooler



UK  
CA

### Specifications:

Voltage: 220-240V~  
Frequency: 50Hz  
Current: 0.4A  
Climate Class: N, SN, ST  
Storage Volume: 20L  
Refrigerant (Weight): R600a(20g)  
Foaming Gas: Cyclopentane



1003618023022060090