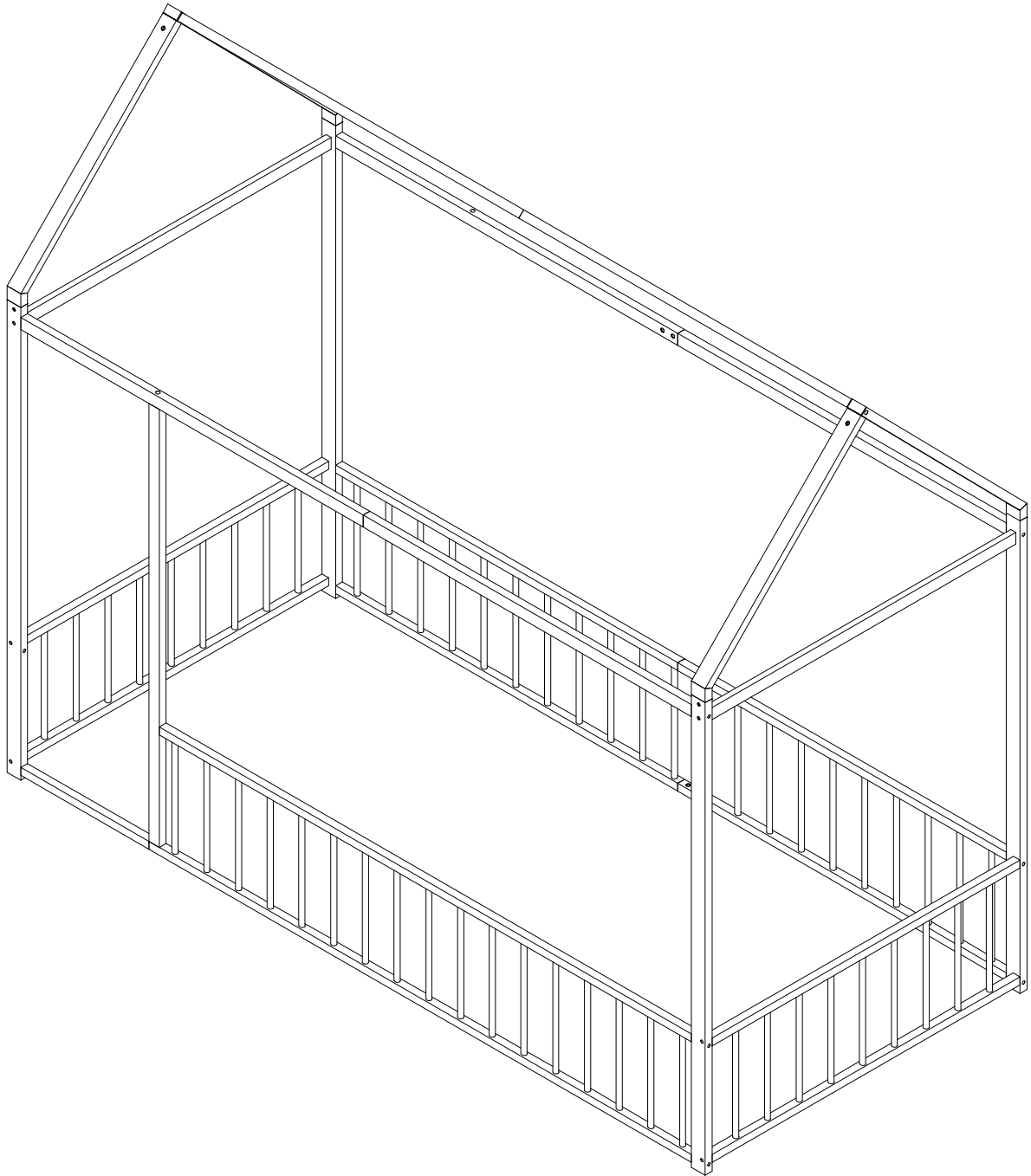


MONTAGEANLEITUNG

ASSEMBLY INSTRUCTION

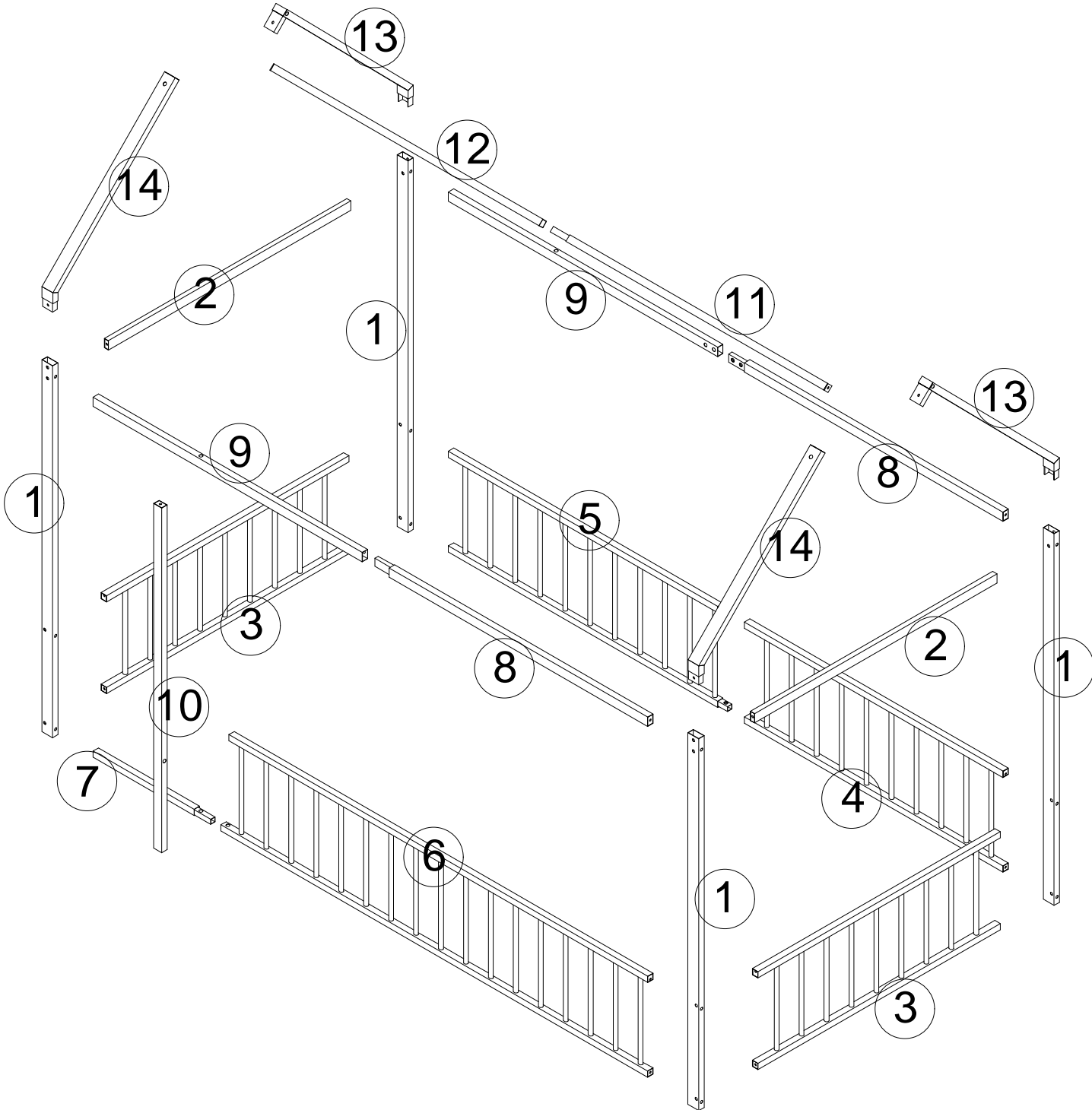
Artikelnummer (Item number):
MF312720

Kinderbett
90 *200


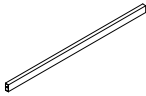
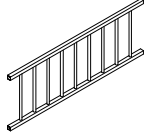
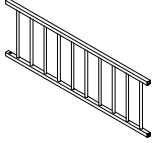
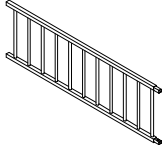
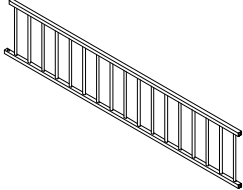
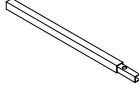
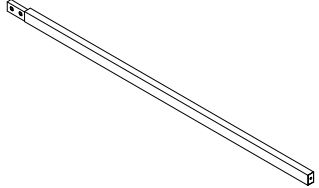
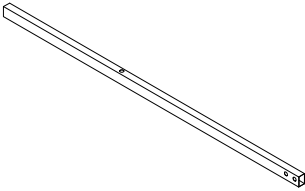

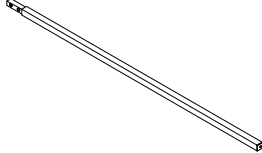
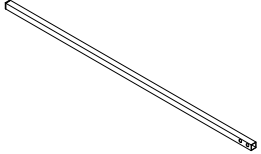

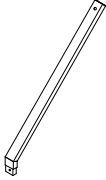


Stückliste

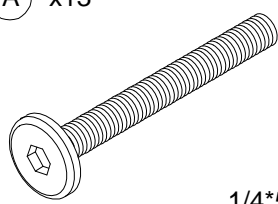
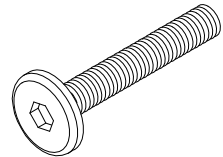
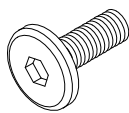

Part list



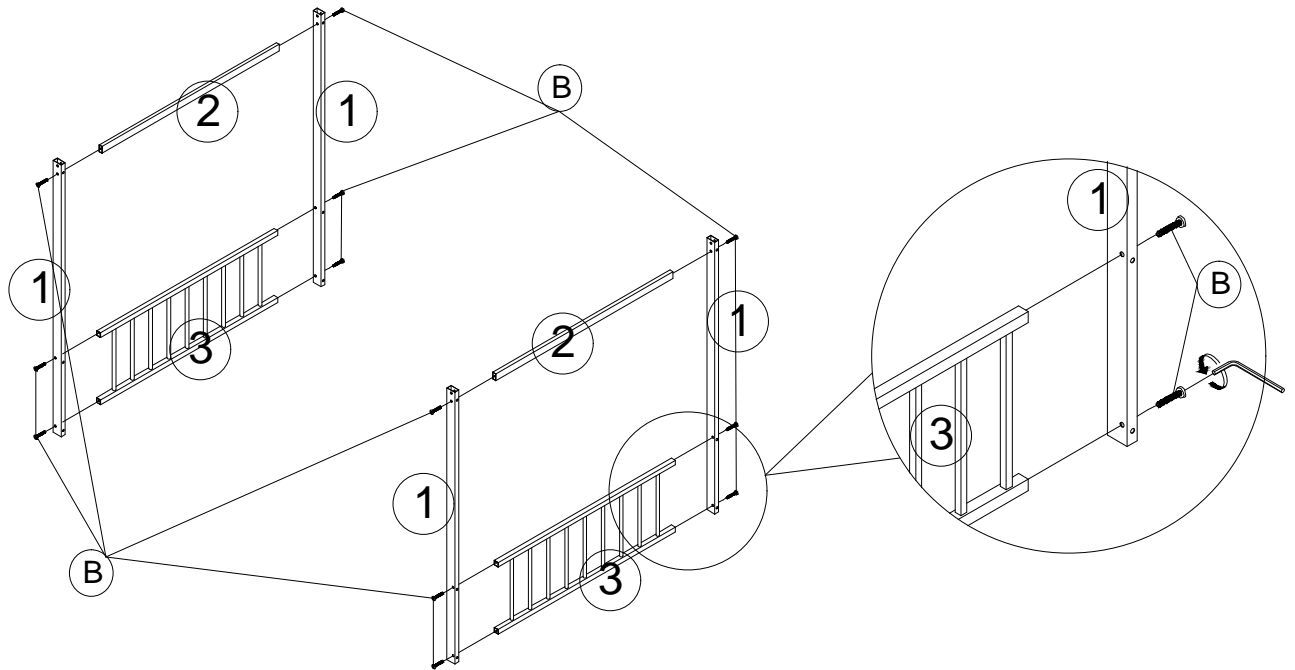
MF312720


① x4 	② x2 	③ x2 	④ x1 
⑤ x1 	⑥ x1 	⑦ x1 	⑧ x2 
⑨ x2 	⑩ x1 	⑪ x1 	⑫ x1 
⑬ x2 	⑭ x2 		

HARDWARE-LISTE MF312720

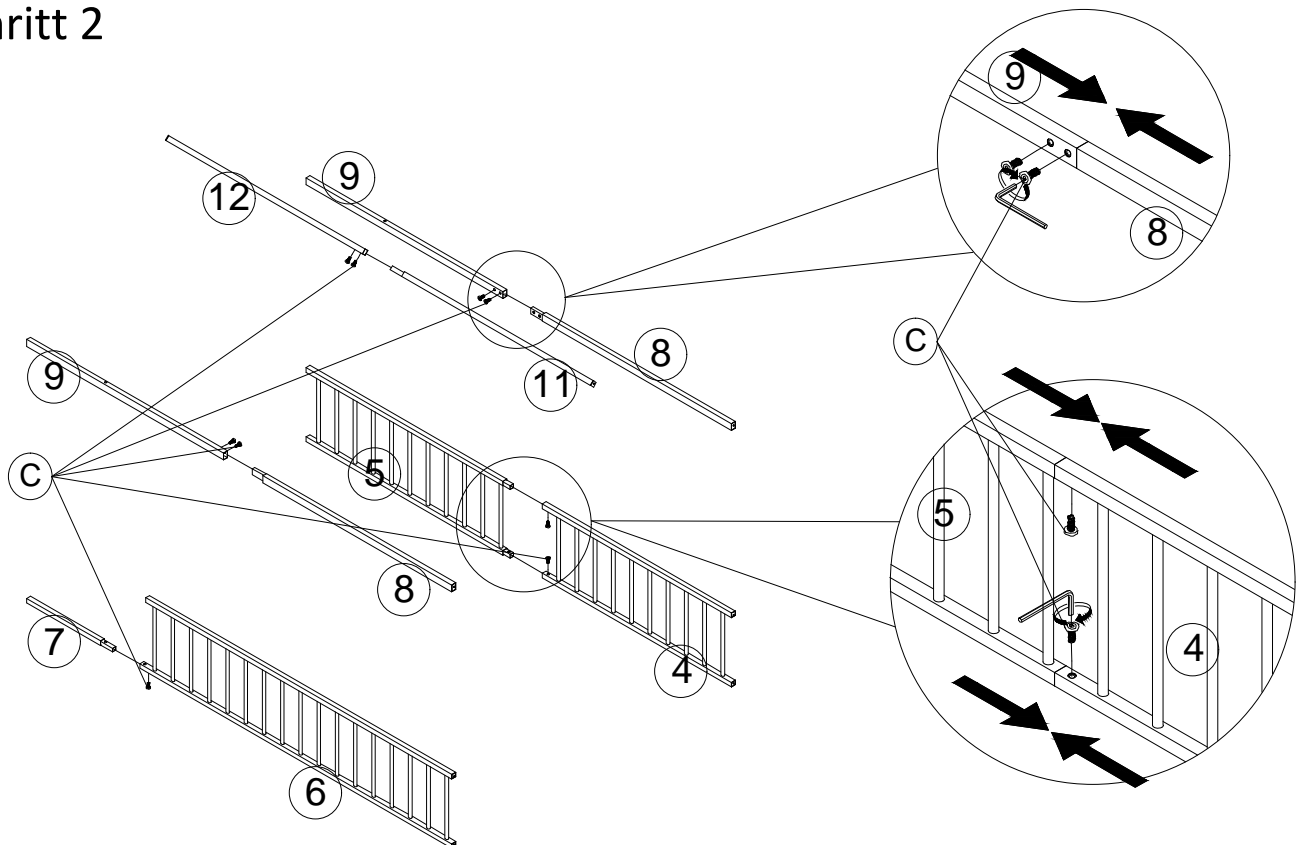
<p>(A) x13</p>  <p>1/4*55</p>	<p>(B) x15</p>  <p>1/4*40</p>	<p>(C) x15</p>  <p>1/4*18</p>	<p>(4) x1</p>  <p>4*59</p>
--	--	---	---


Schritt 1



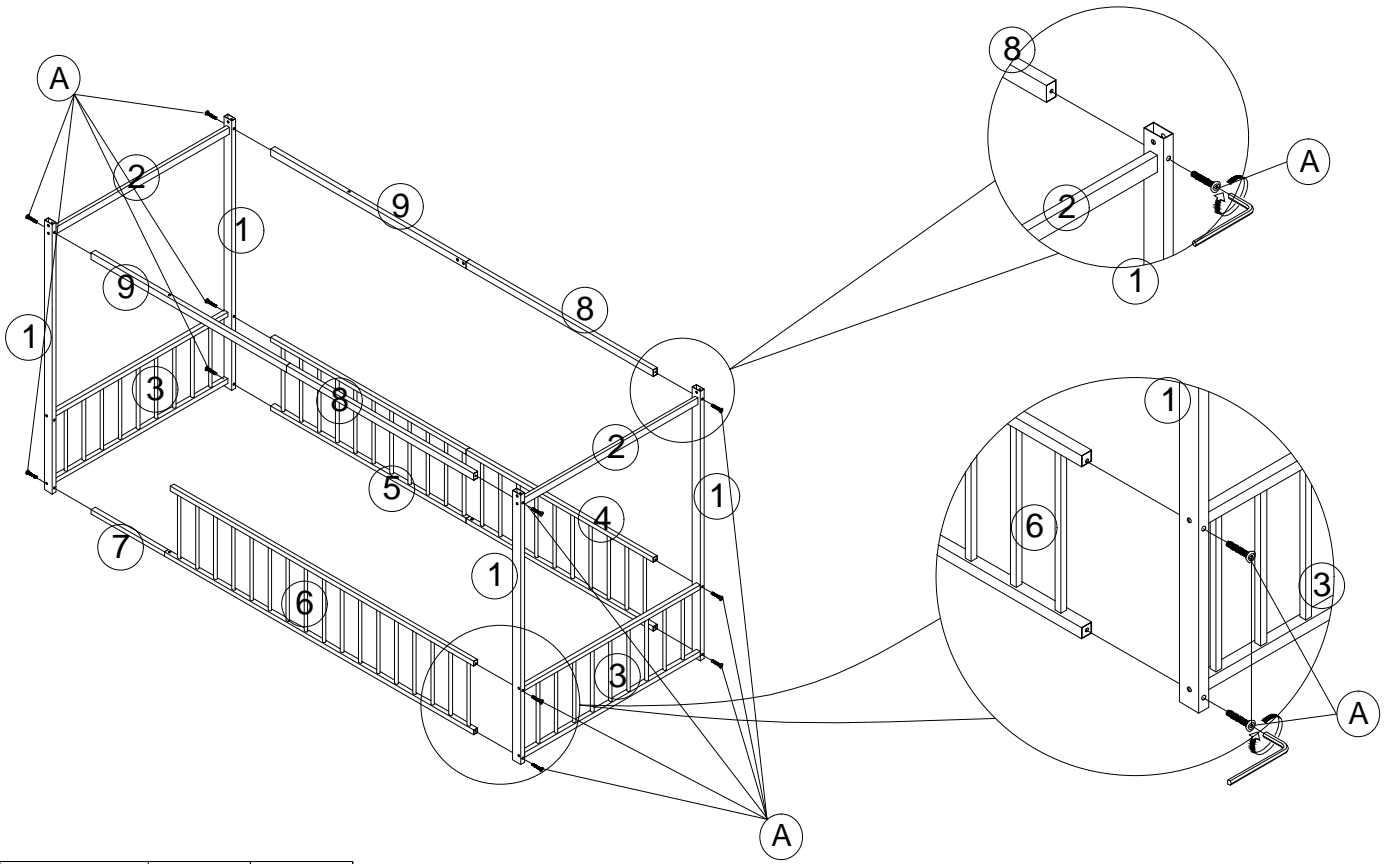
(B)		1/4*40	12
-----	---	--------	----

Schritt 2



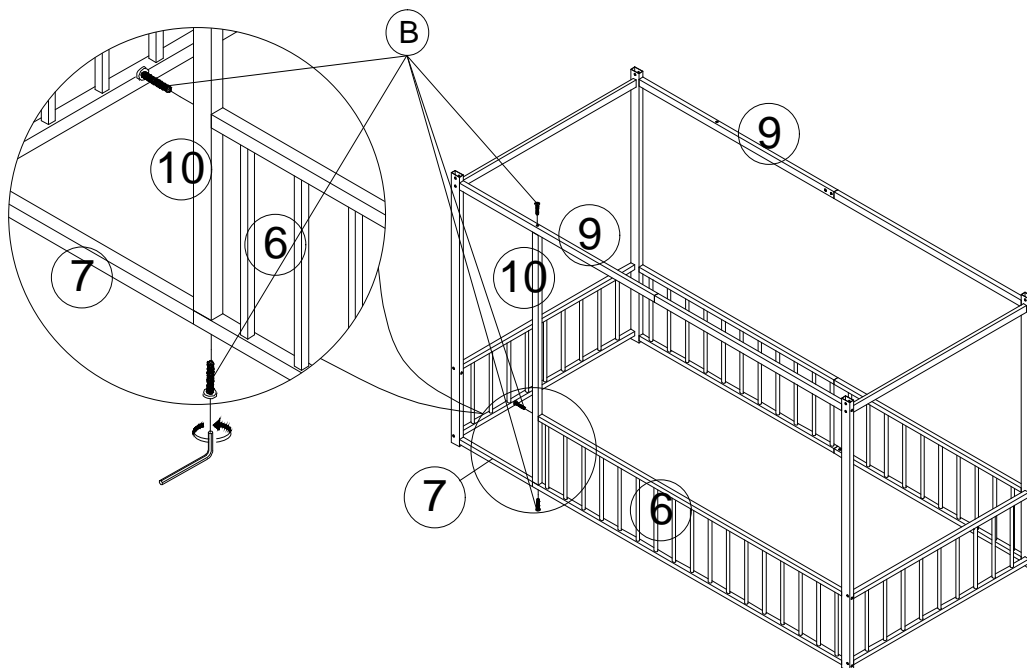
(C)		1/4*18	9
-----	---	--------	---

Schritt 3




A		1/4*55	11
---	---	--------	----

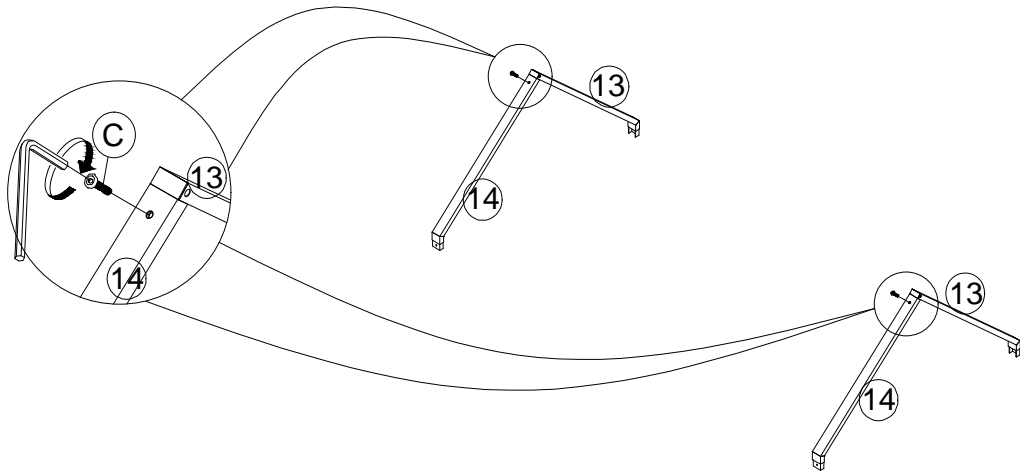
Schritt 4



6

B		1/4*40	3
---	---	--------	---

Schritt 5



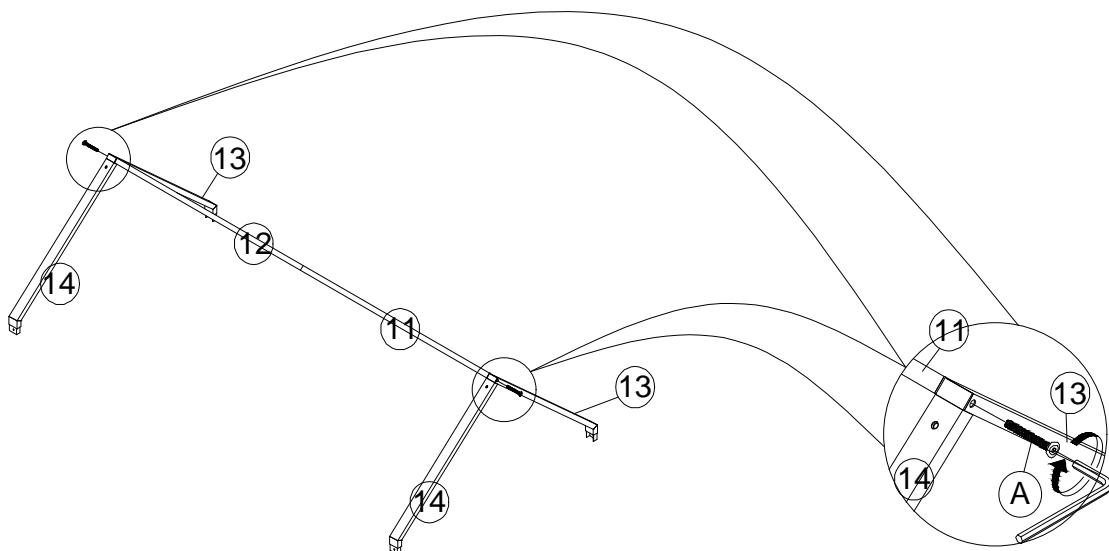
C



1/4*18

2

Schritt 6



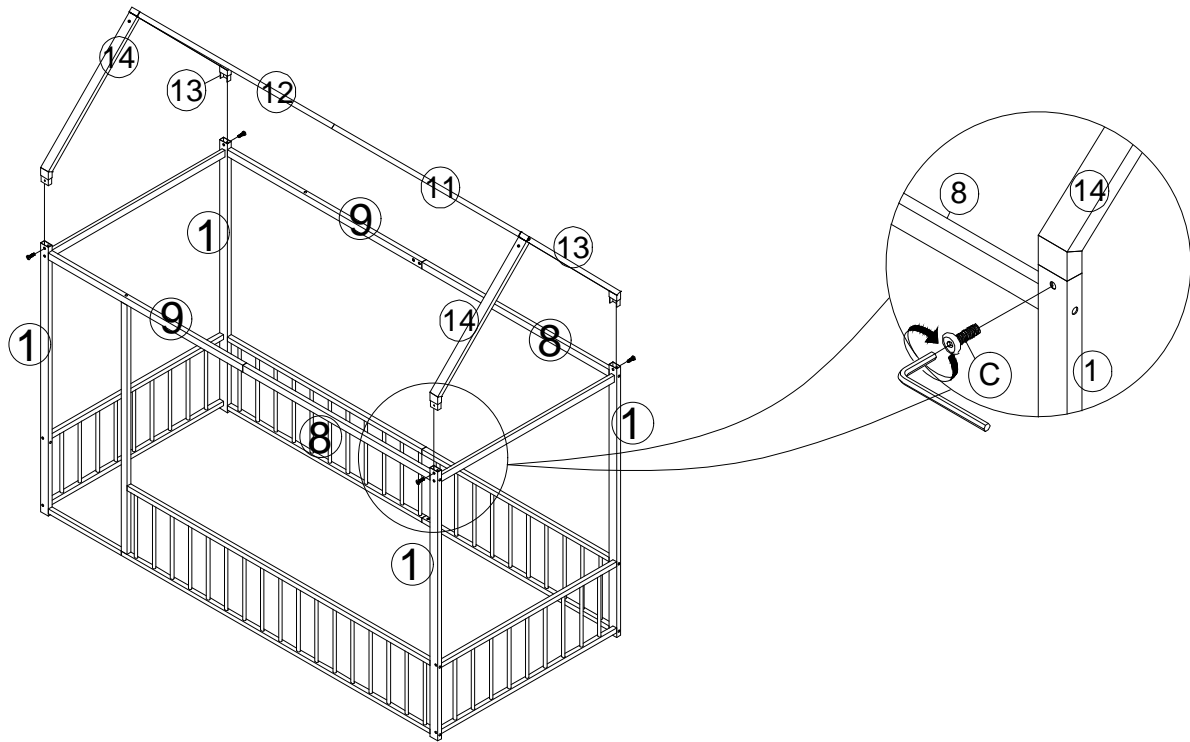
A



1/4*55

2

Schritt 7



3		1/4*18	4
---	---	--------	---

VOLLSTÄNDIG

