

# Heat exchanger Maxi-Flo

Maxi-Flo



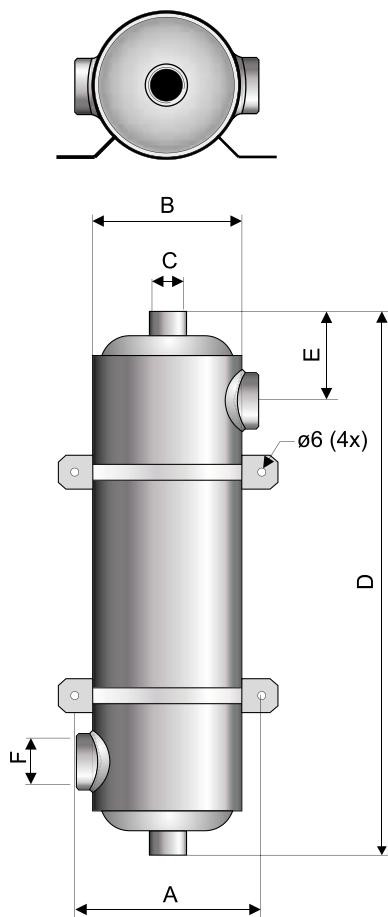
## Maxi-Flo

Maxi-flo is a tube heat exchanger with excellent heating properties. It is made of acid proof stainless steel AISI 316L for optimum service life. Simple installation using the stainless steel adjustable attachments that are included.

Maximum pressure secondary circuit (pool water) is 5 bar and primary circuit (hot water) is 10 bar.

Suitable for pools up to 450m<sup>3</sup>

Maxi-Flo is a tube heat exchanger with excellent heating properties, made of acid proof stainless steel for optimum life.



## Features

- Precision-welded outer jacket
- 37 seamless pipes equipped with flow restrictors for hot water
- Adjustable brackets of acid proof stainless steel
- Four sizes: 40, 60, 75 and 120 kW
- Connects to existing heat source

Dimensions							
Item no.	kW	A	B	C	D	E	F
11365	40	139	129	1"	355	92	1½"
11366	60	139	129	1"	485	92	1½"
11367	75	139	129	1"	600	85	2"
11368	120	139	129	1½"	1070	85	2"

Technical data		Capacity			Primary, hot water		Secondary, pool water		
Item no.	Model	kW	kBtu/h	kcal	l/min	press. drop H (m)	l/min	press. drop H (m)	kg
11365	MF 135	40	135	34 394	25	0,05	200	0,8	3,4
11366	MF 200	60	200	51 590	30	0,15	250	1,4	4,5
11367	MF 260	75	260	64 488	35	0,4	300	1,0	5,6
11368	MF 400	120	400	103 181	50	0,5	360	1,5	9,3

10083002 Coupling 2" in case of series connection of 11367 or 11368.

1,3

Capacity at a temperature difference of 60°