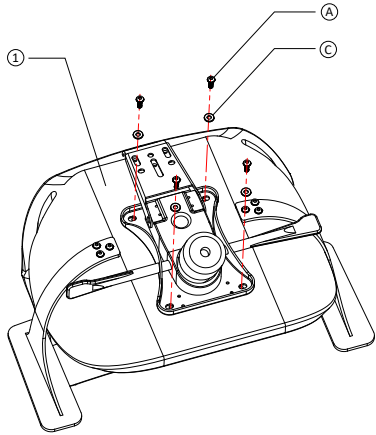
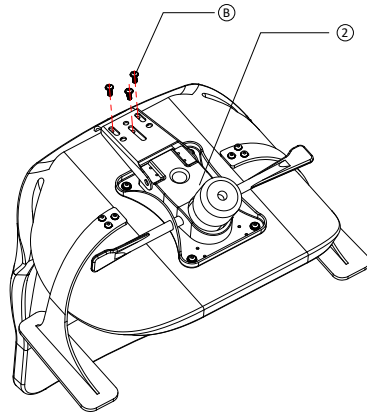


ASSEMBLY INSTRUCTION

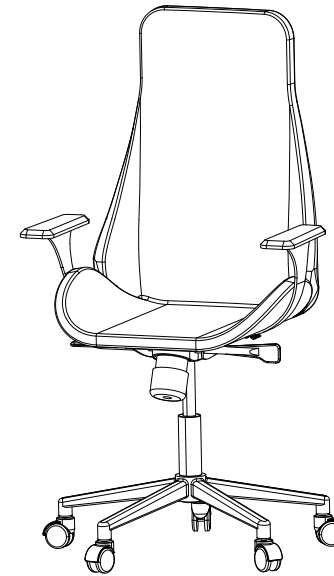
Remove all items from the carton. Verify all pieces before assembly.



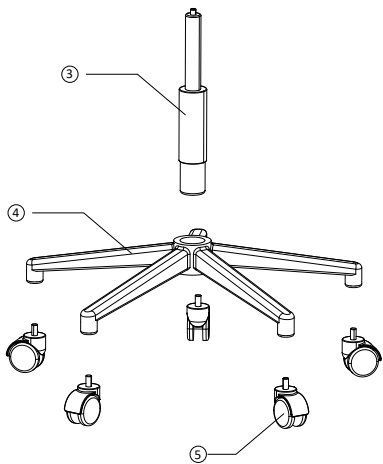
STEP 1



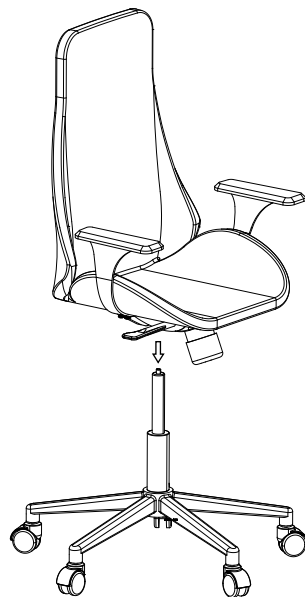
STEP 2



FINISH

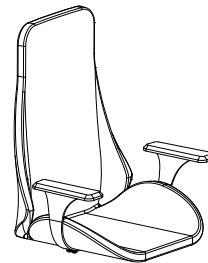


STEP 3

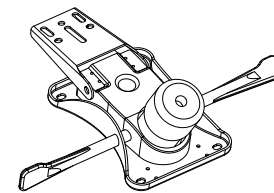


STEP 4

① Back & Seat & Armrest



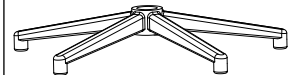
② Mechanism



③ Gas Lift



④ Base



⑤ Casters - x5



Accessories & Tools

Ⓐ
M6*25MM - x4



Ⓑ
M8*20MM - x3



Ⓒ
x4



Ⓓ
M6 - x1



Ⓔ
M8 - x1

