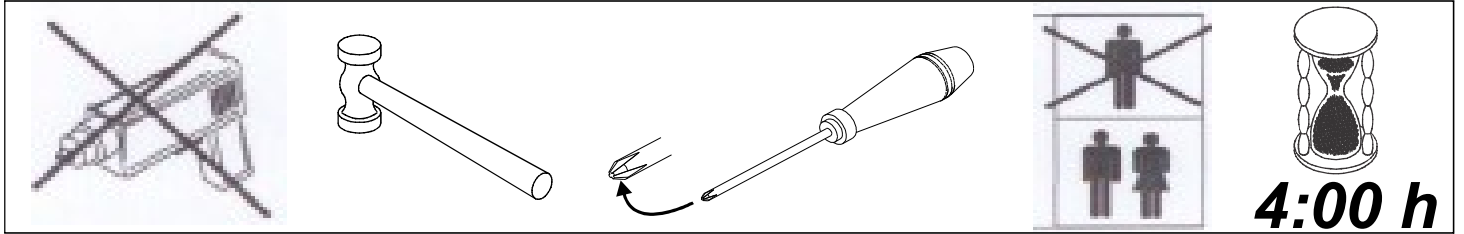
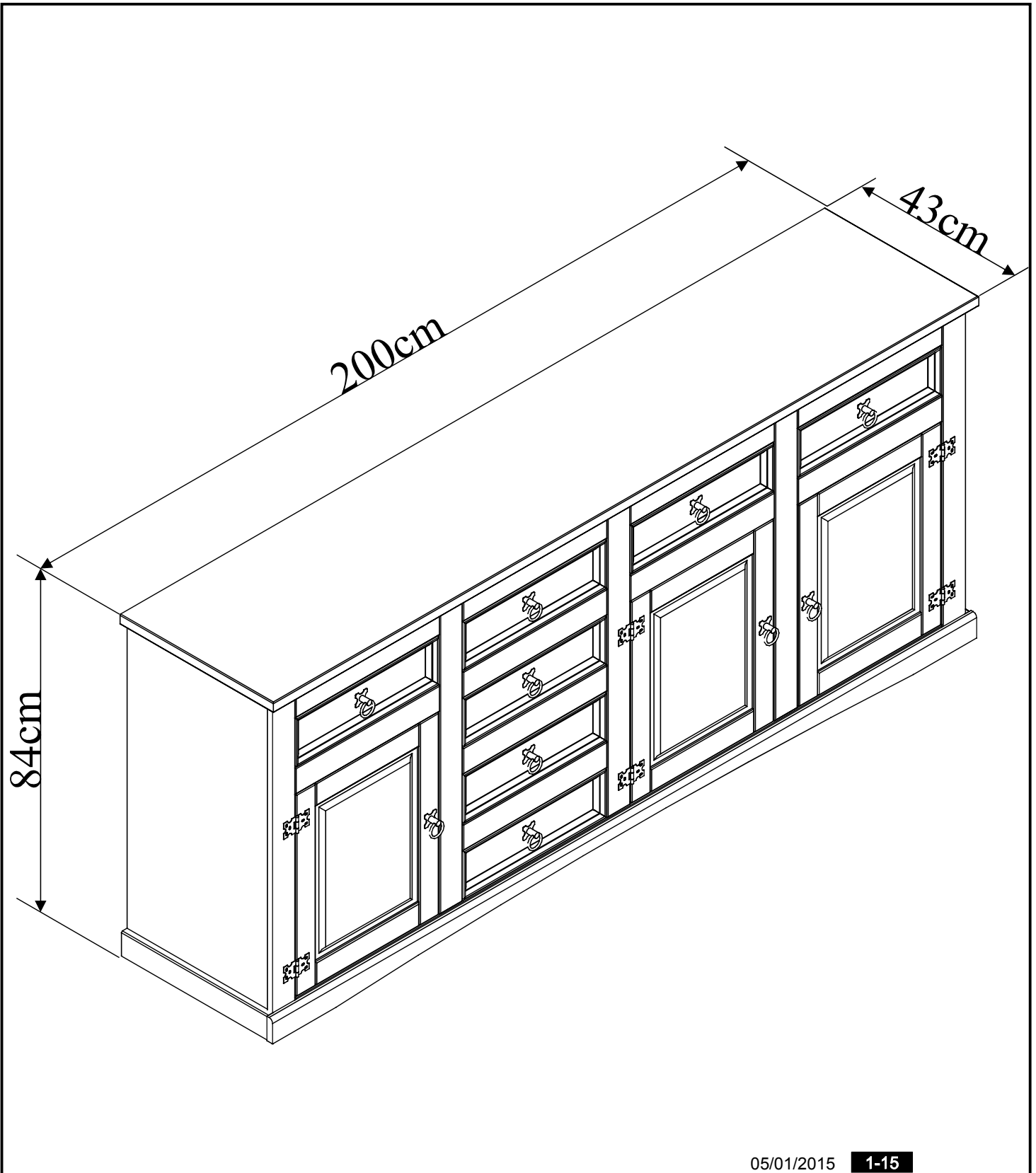
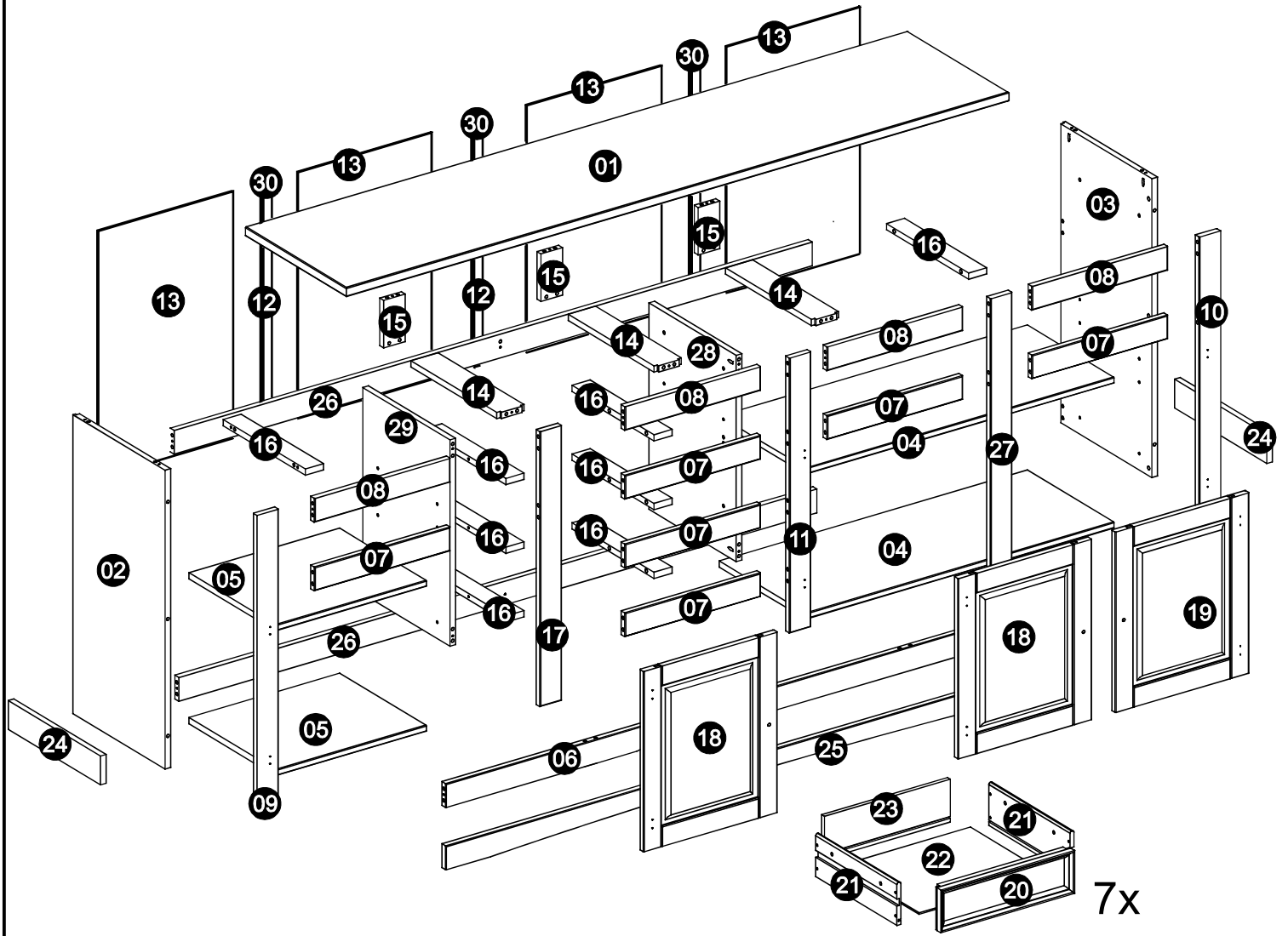


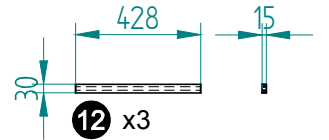
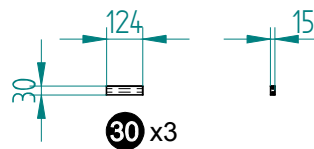
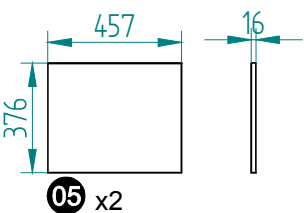
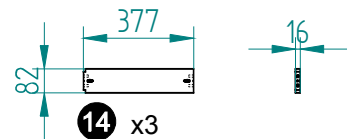
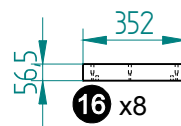
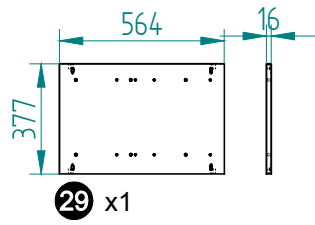
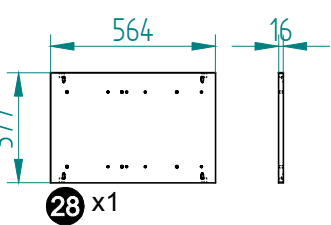
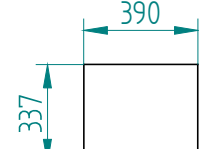
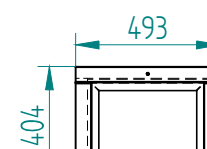
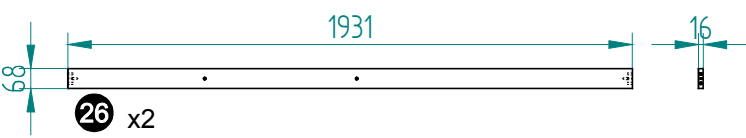
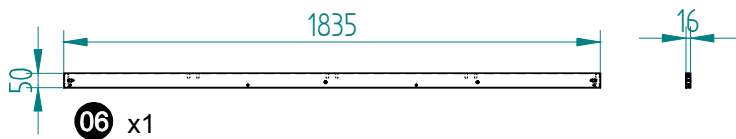
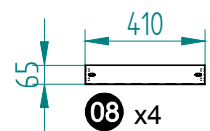
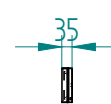
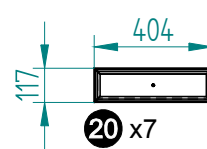
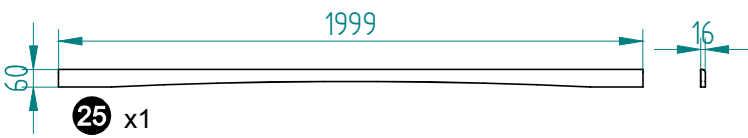
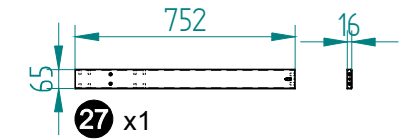
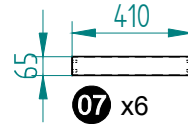
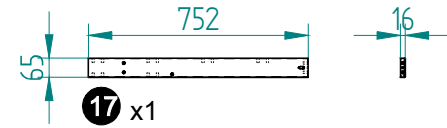
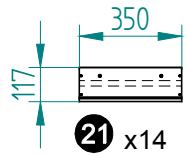
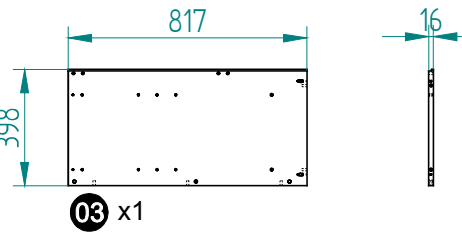
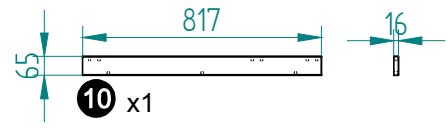
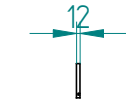
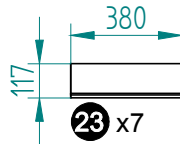
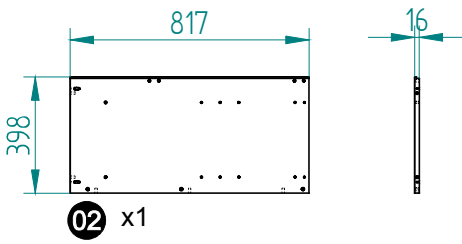
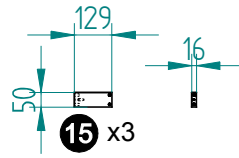
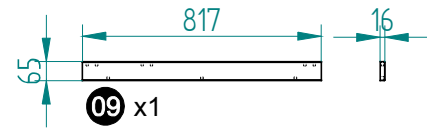
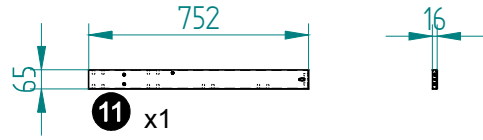
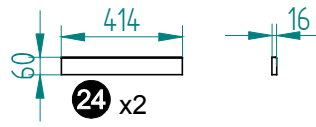
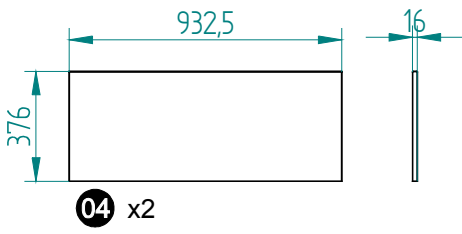
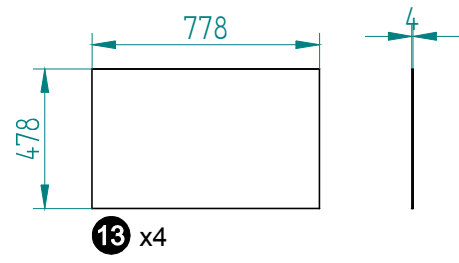
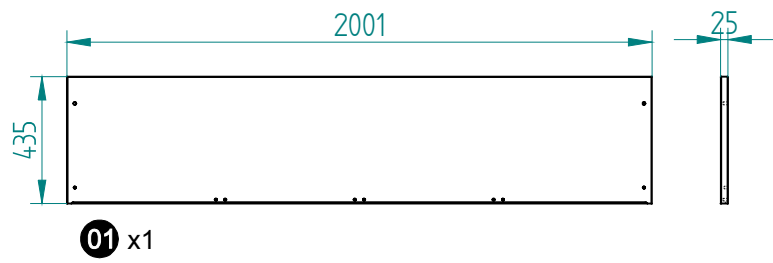
# 24-3790 / 24-3791 / 24-3792

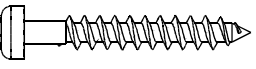


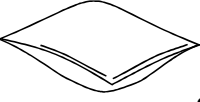
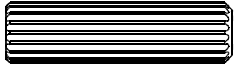

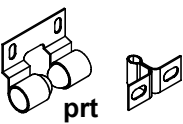
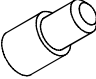


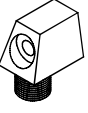

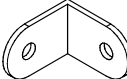
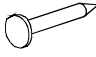


**4:00 h**

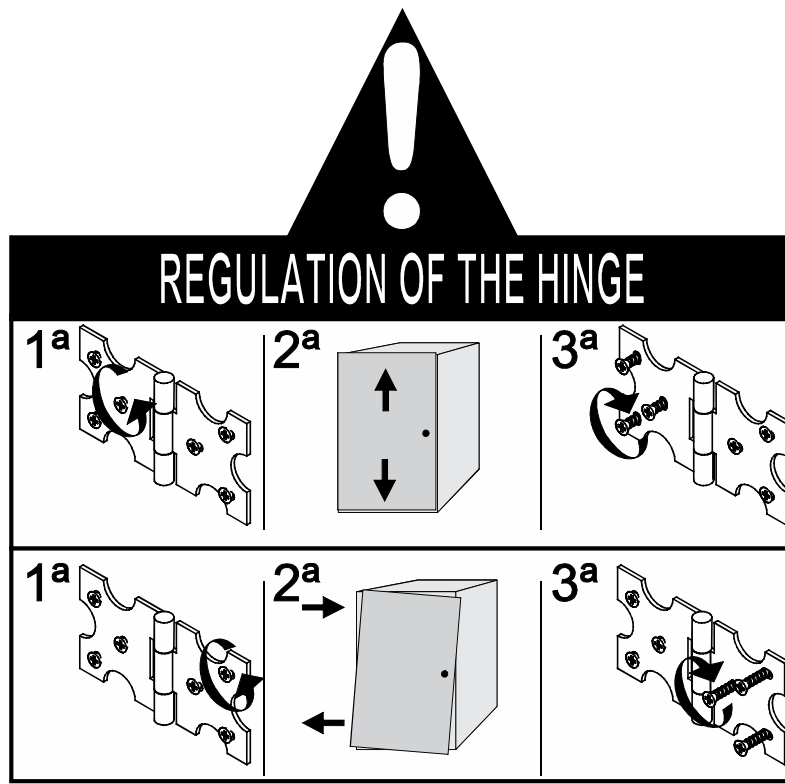




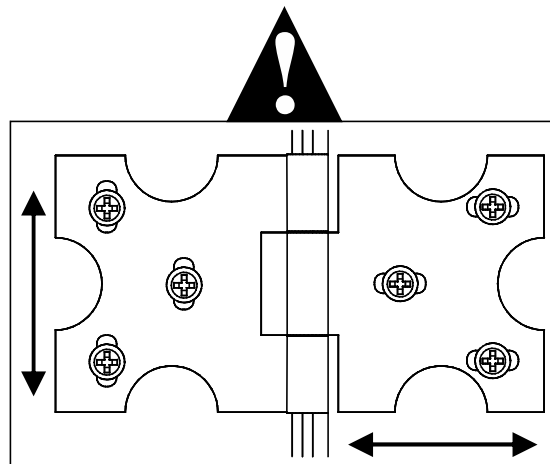


<p>A x 65</p>  <p>4,5X28</p>	<p>B x 46</p>  <p>3,5X14 prt</p>	<p>C x 06</p>  <p>3,0X16 prt</p>	<p>D x 02</p>  <p>20g</p>	<p>E x 124</p>  <p>8,0x25</p>
<p>F x 10</p> 	<p>G x 03</p>  <p>prt</p>	<p>H x 16</p> 	<p>J x 13</p>  <p>3,5X25</p>	<p>K x 56</p>  <p>3,5X30</p>
<p>L x 12</p> 	<p>M x 06</p>  <p>32x32</p>	<p>N x 02</p> 	<p>Z x 50</p>  <p>8 X 8</p>	



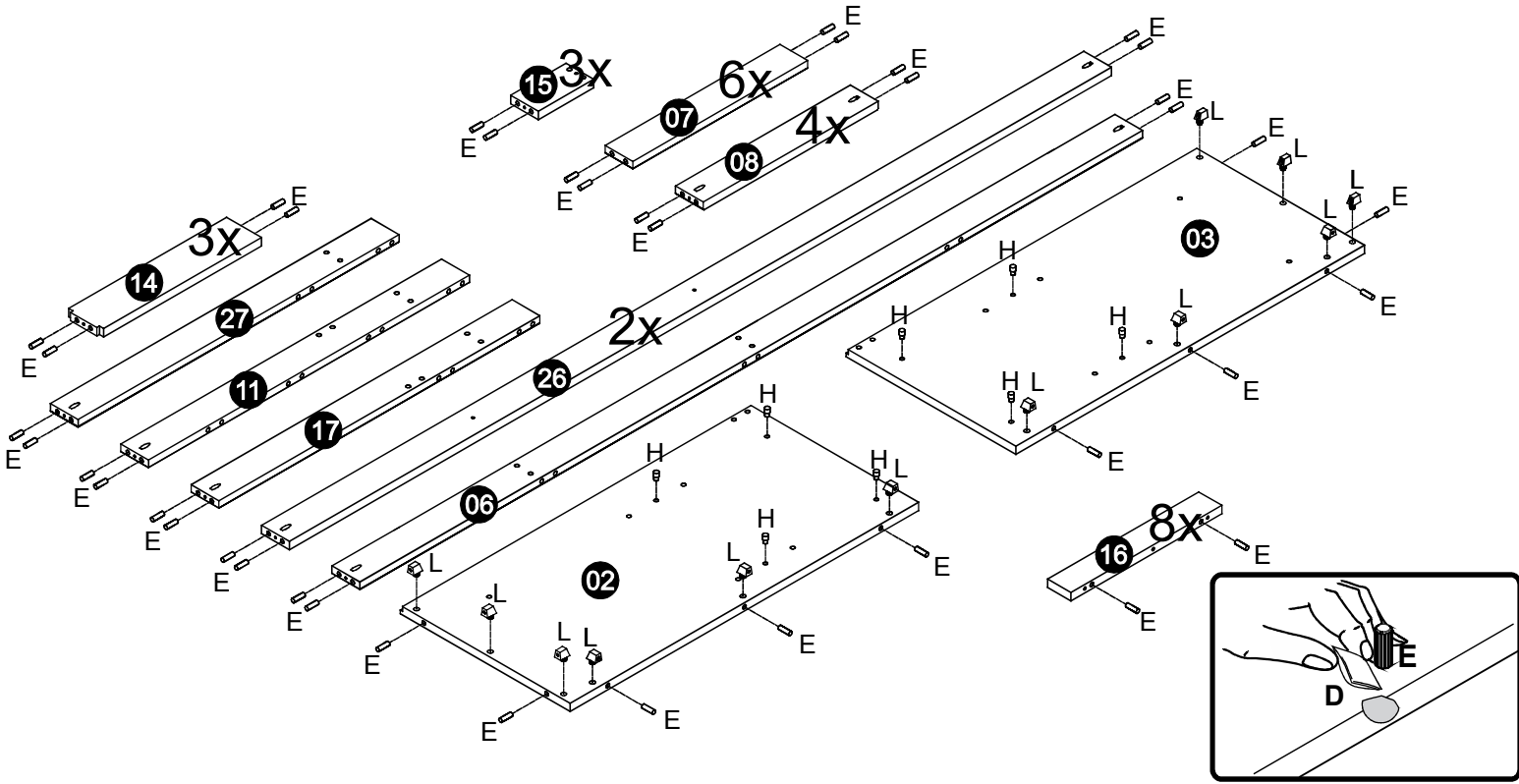
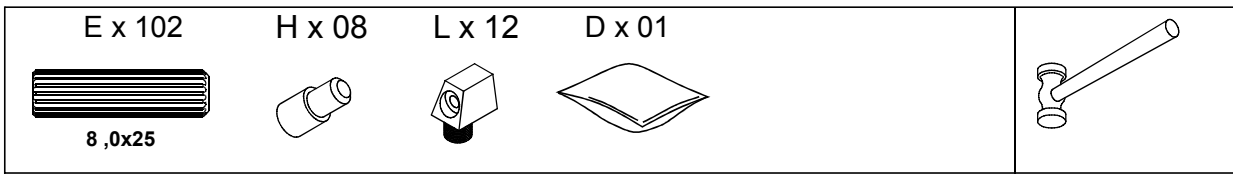


Cabinet  
 Schrankseite  
 Skabsside

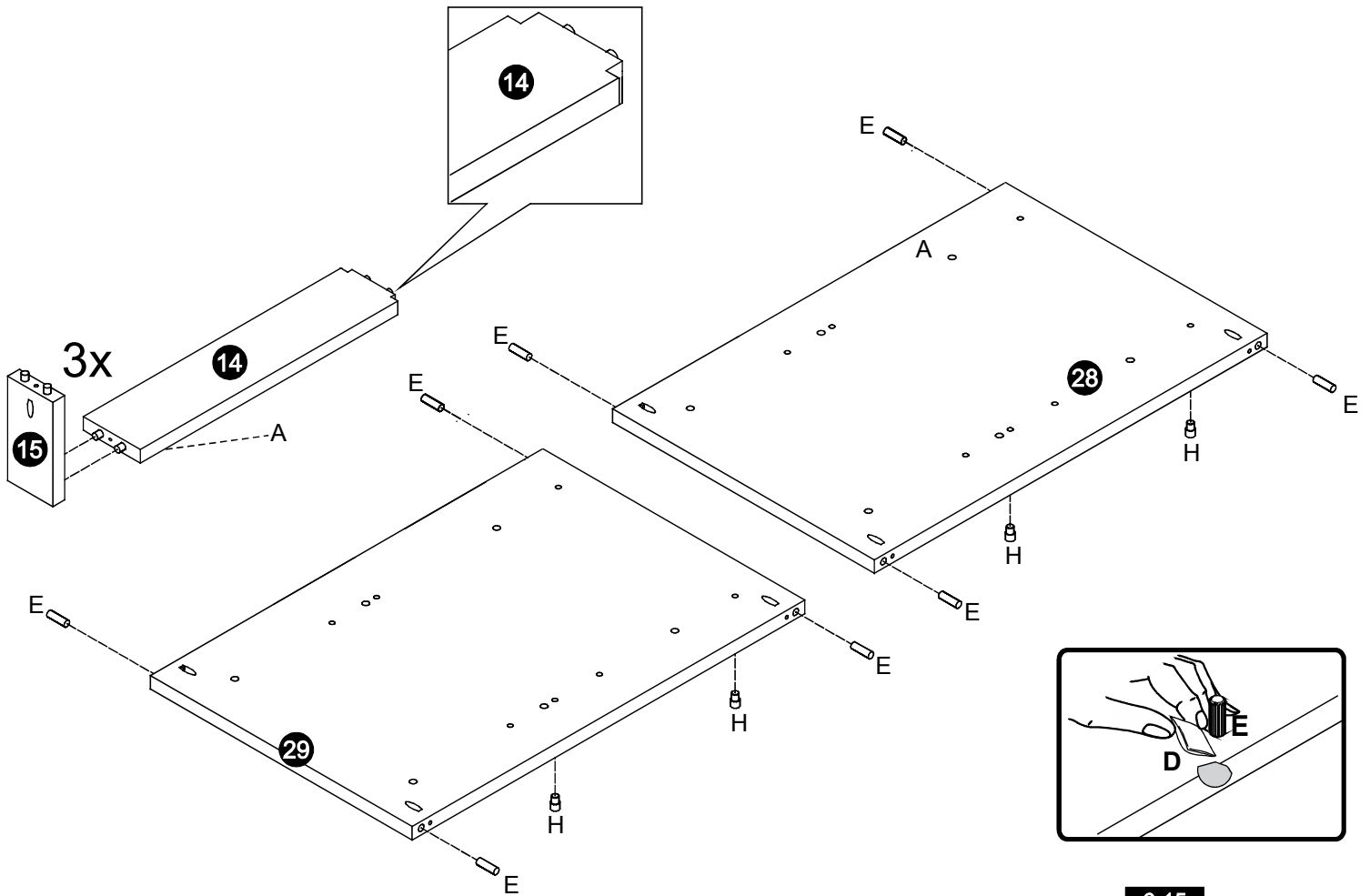
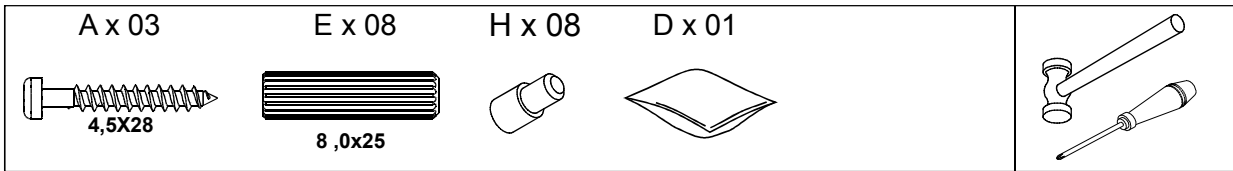


Door  
 Schranktür  
 Låge

# 1

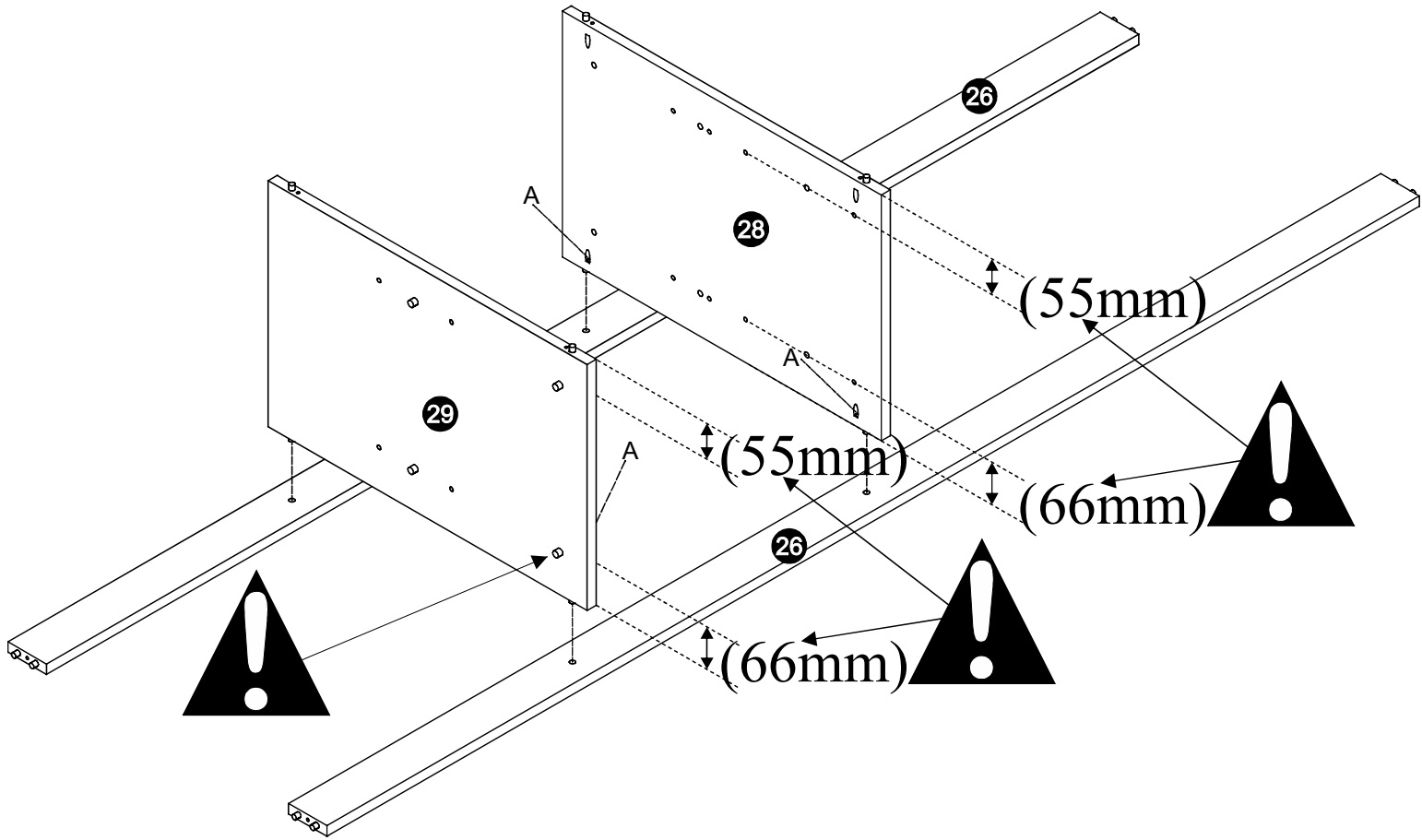
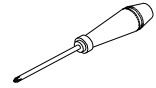
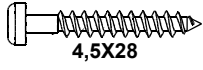


# 2



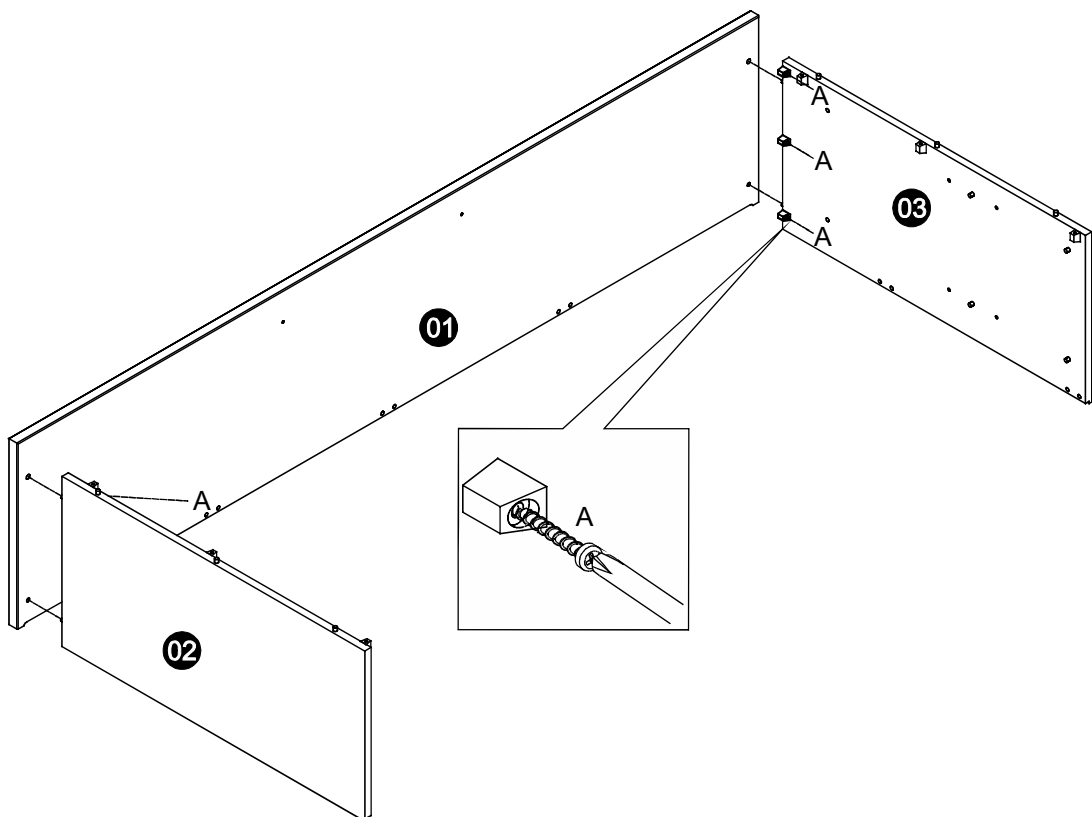
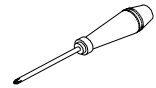
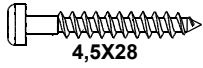
# 3

A x 04



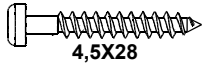
# 4

A x 06

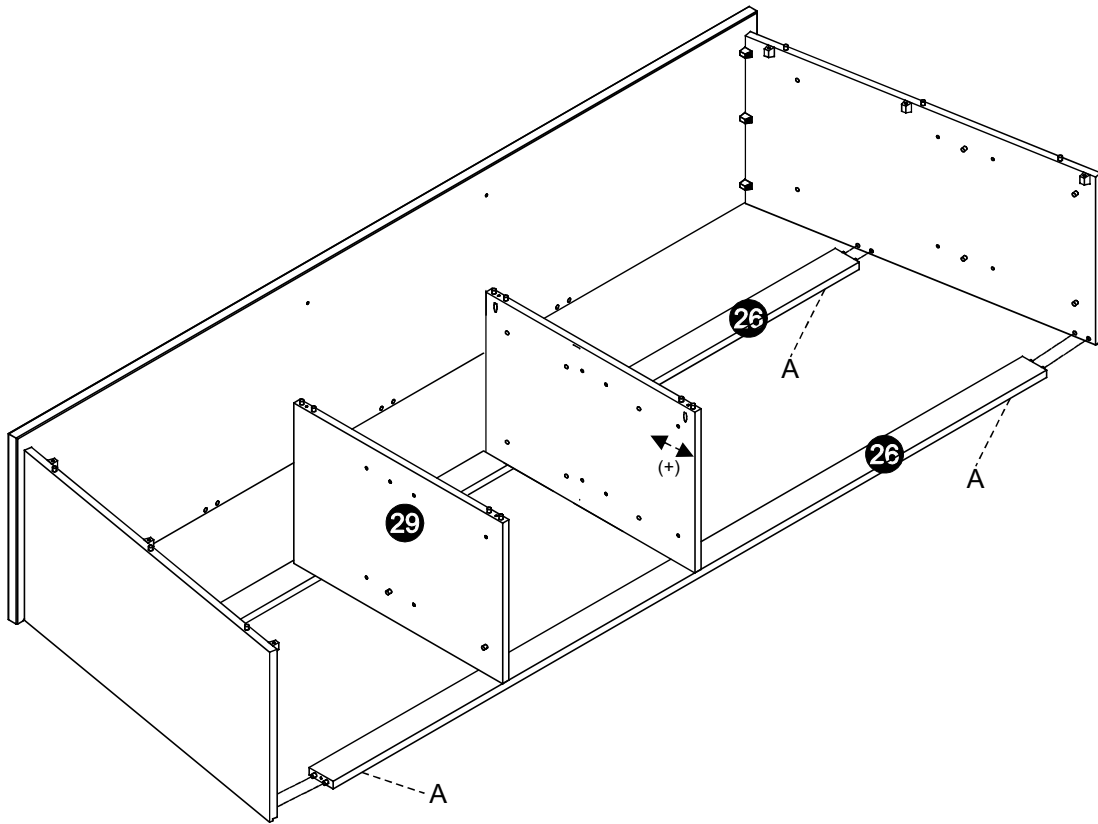
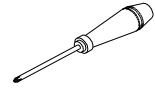


# 5

A x 04

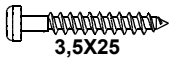


4,5X28

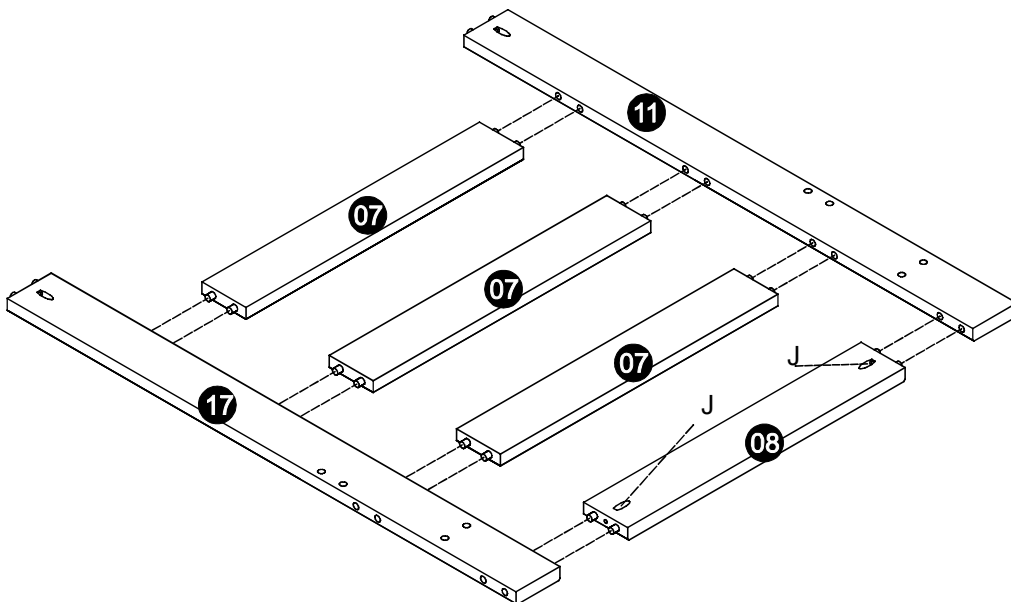
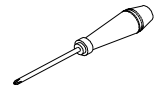


# 6

J x 02



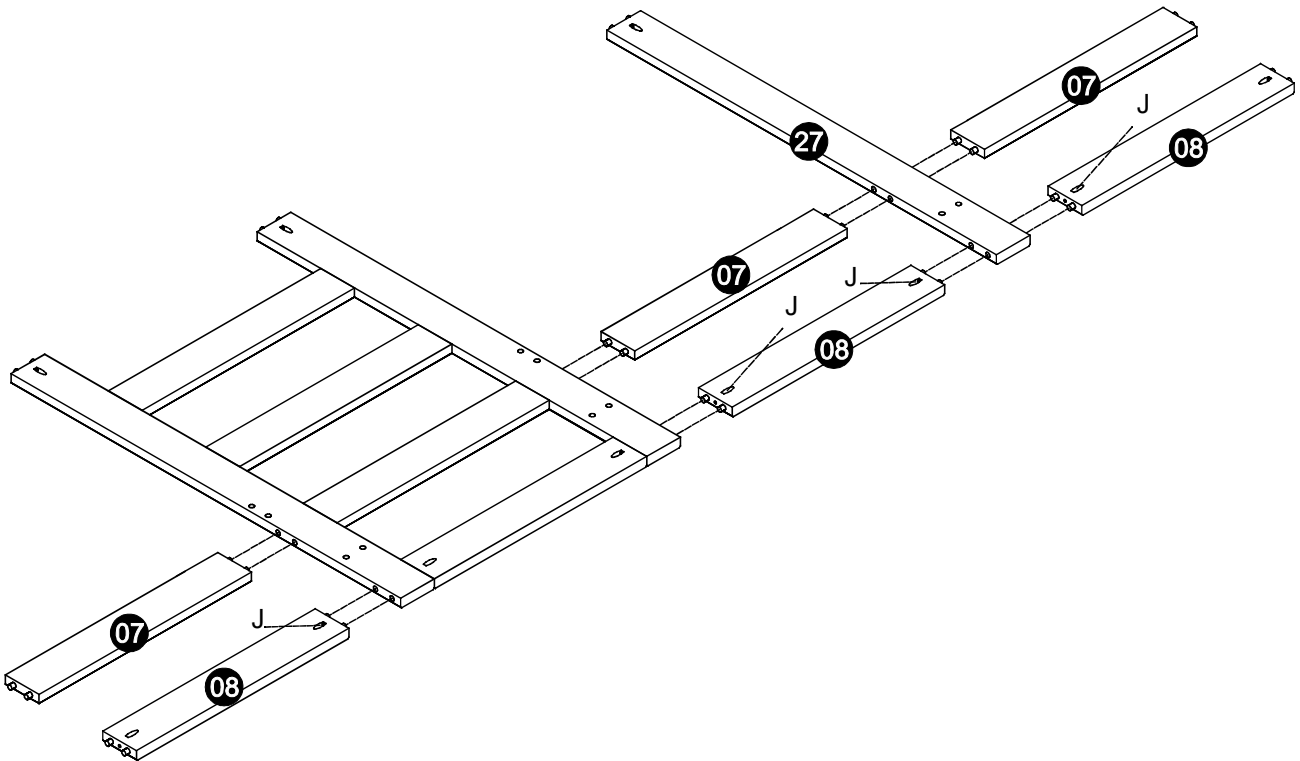
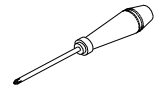
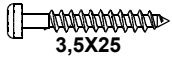
3,5X25





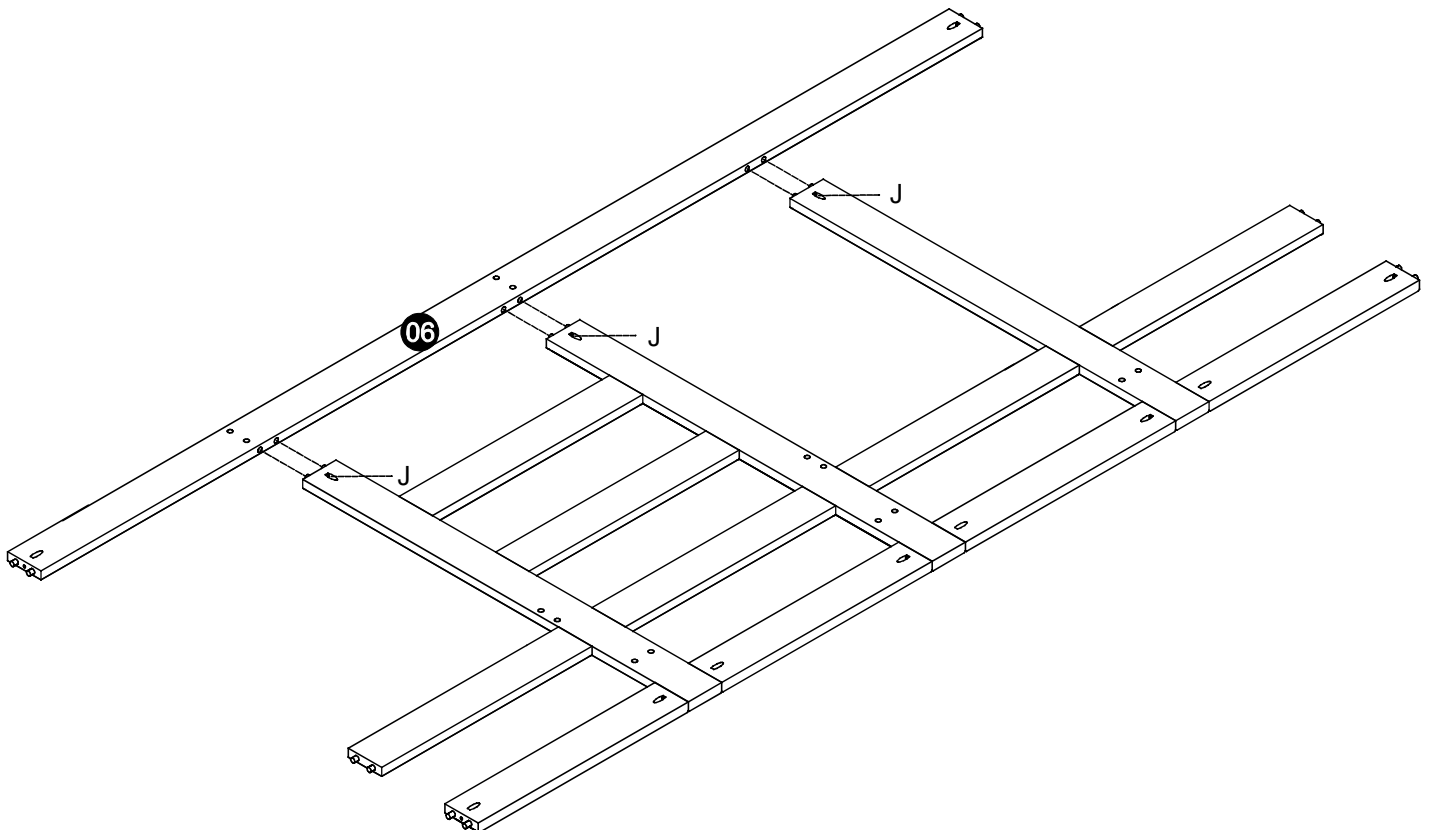
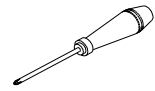
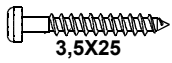
# 7

J x 04



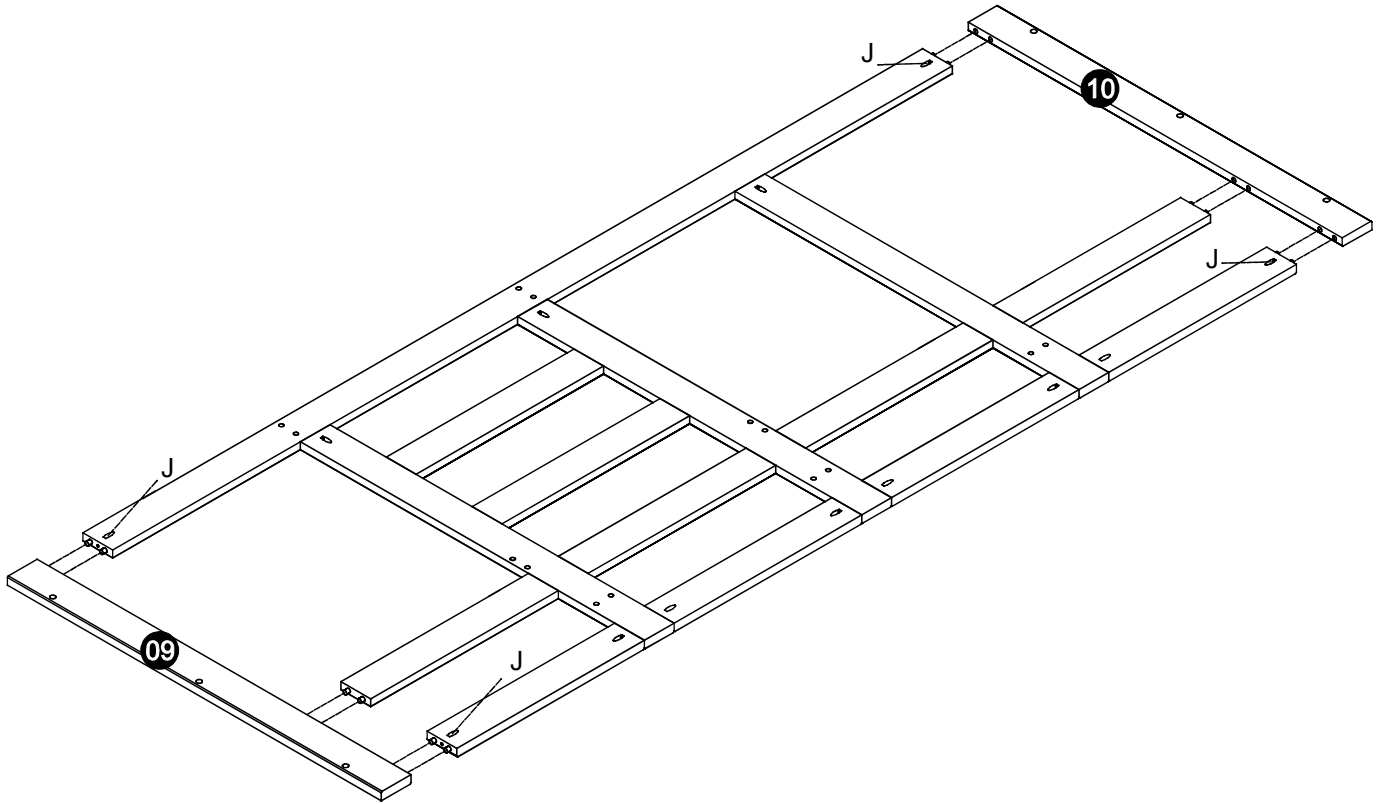
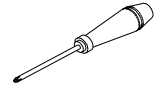
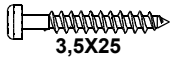
# 8

J x 03



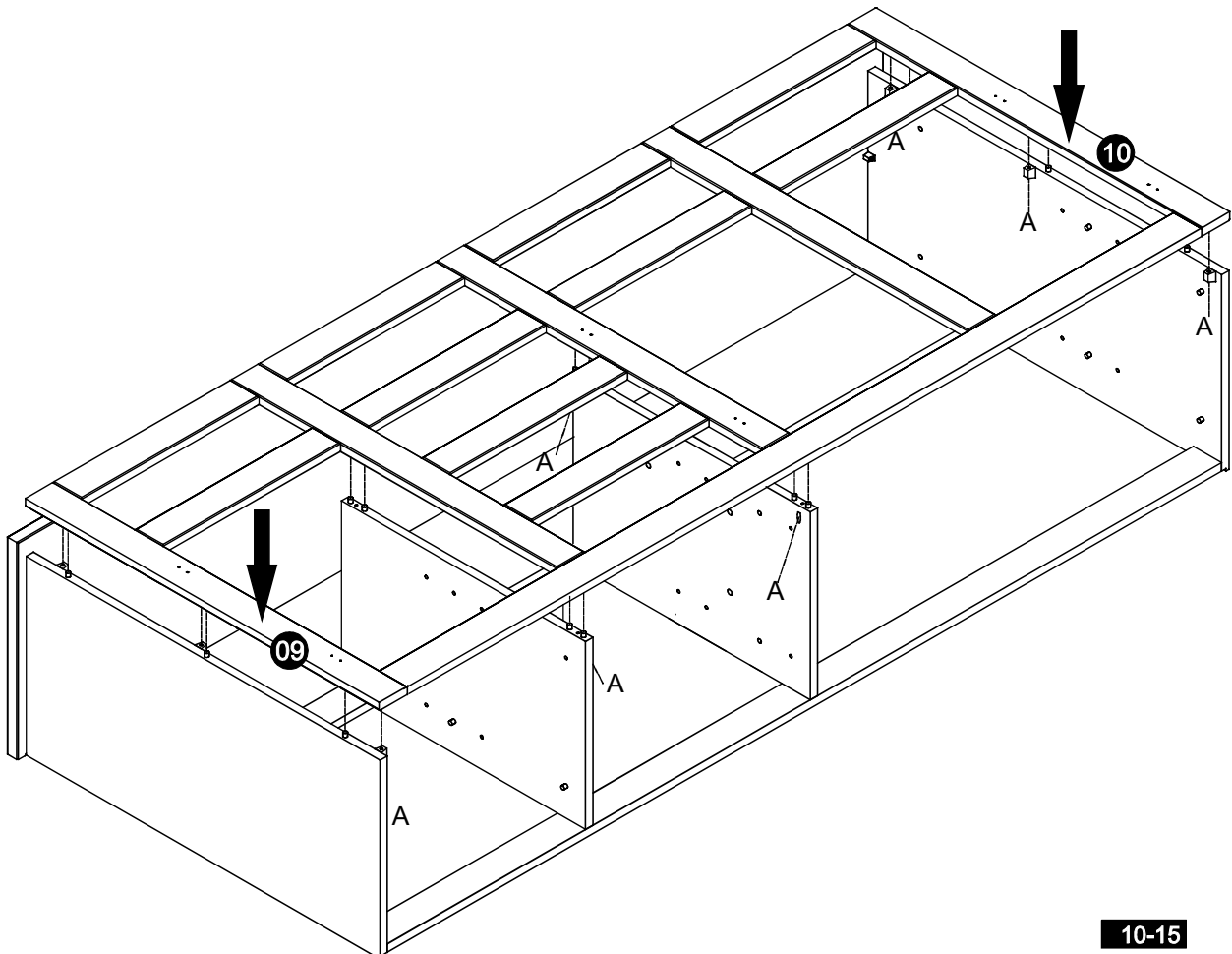
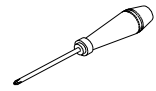
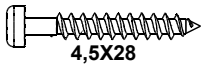
# 9

J x 04



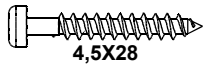
# 10

A x 10

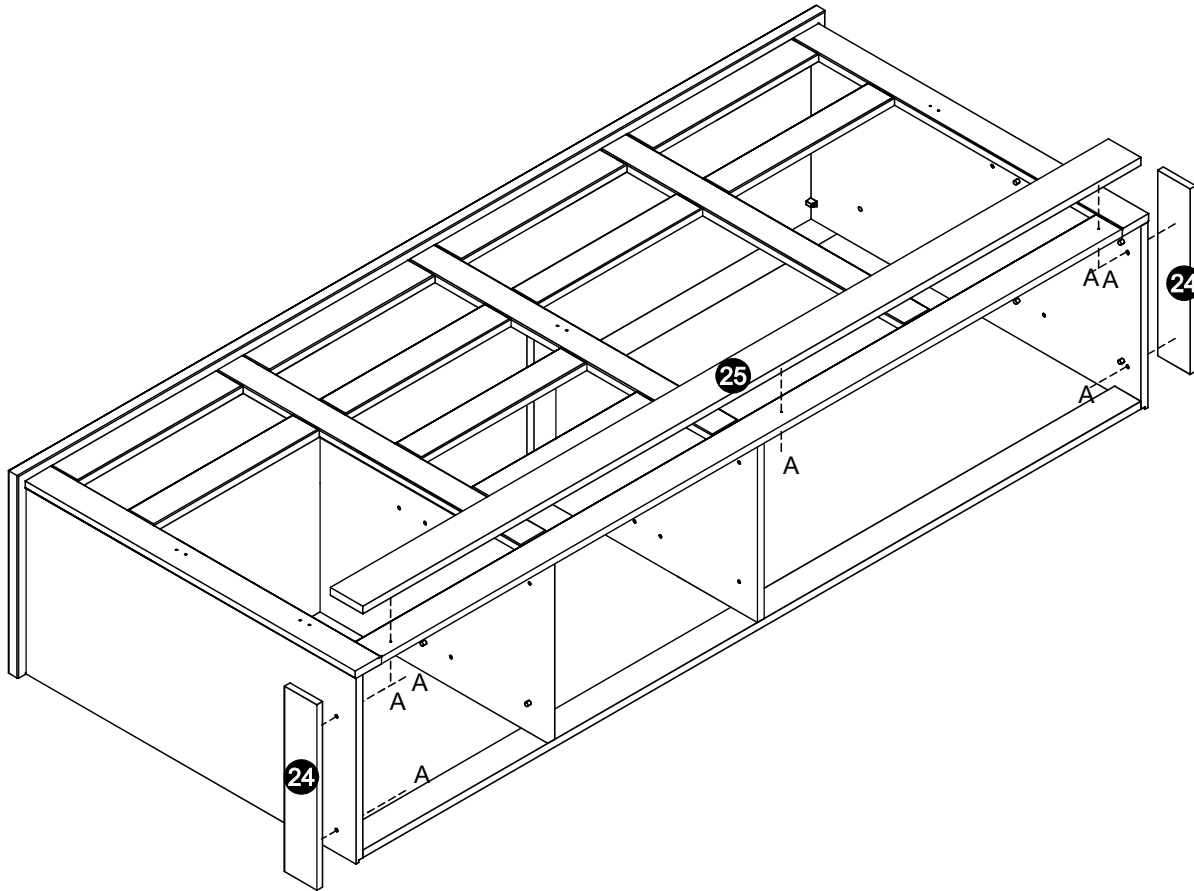
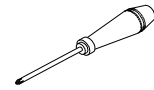


# 11

A x 08

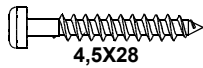


4,5X28

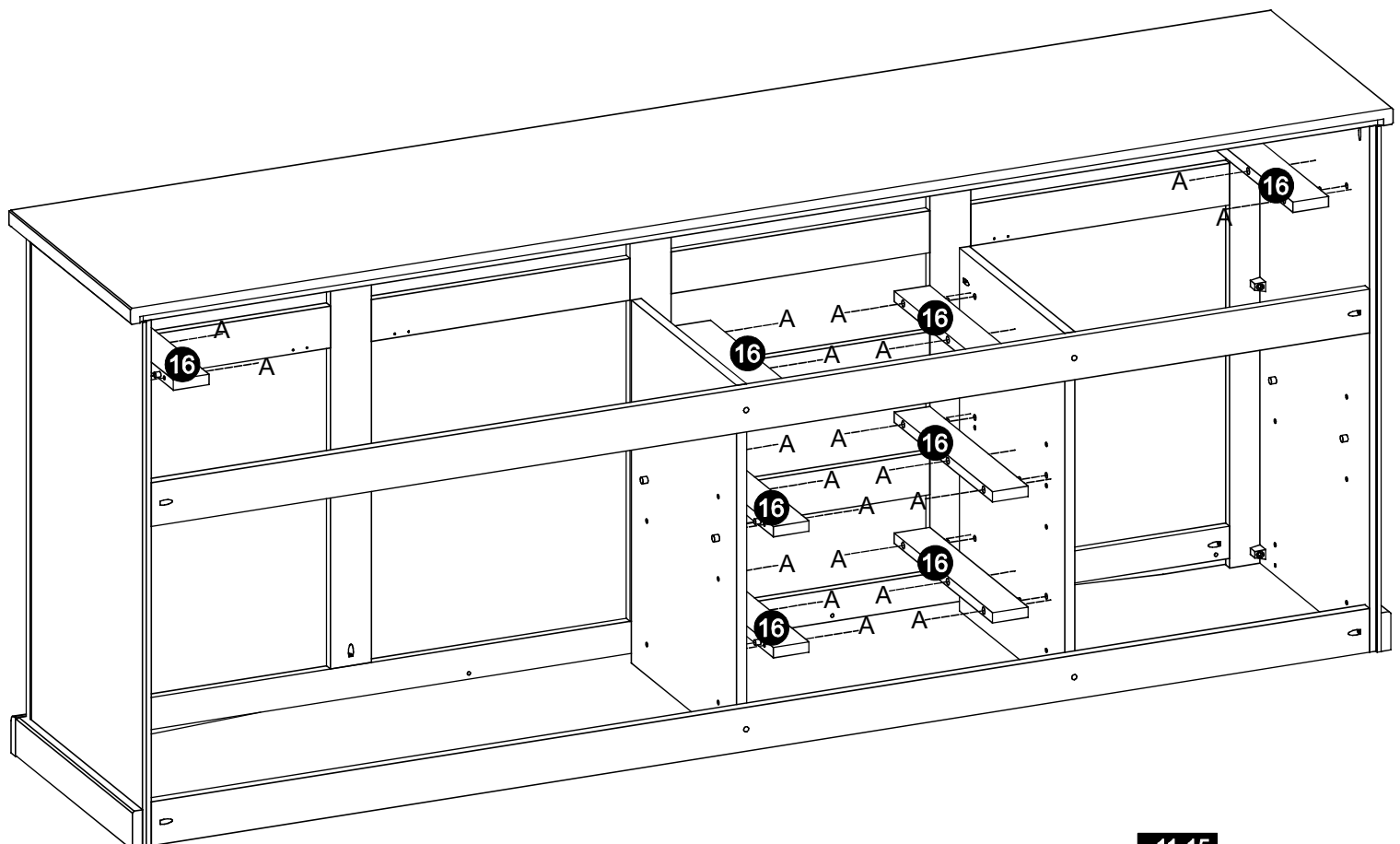
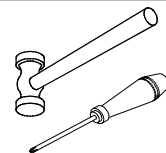


# 12

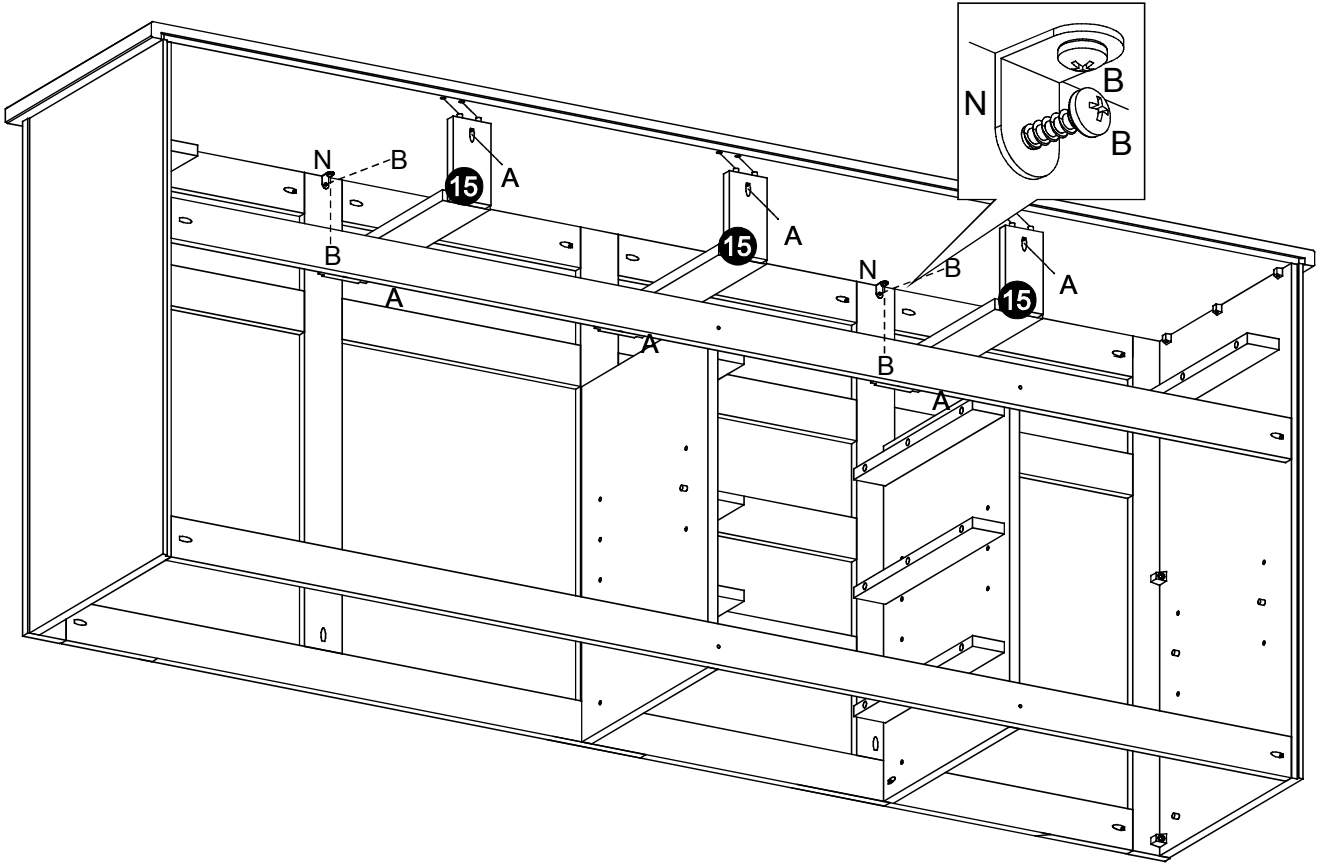
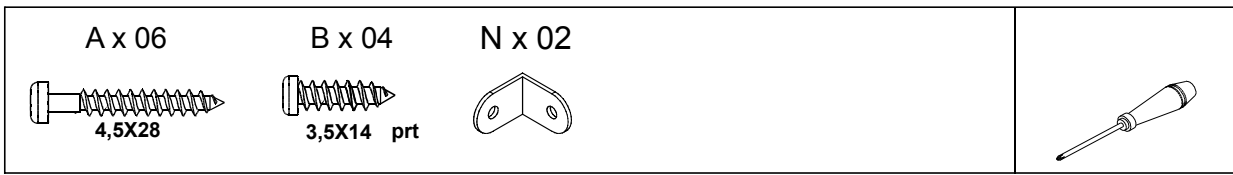
A x 24



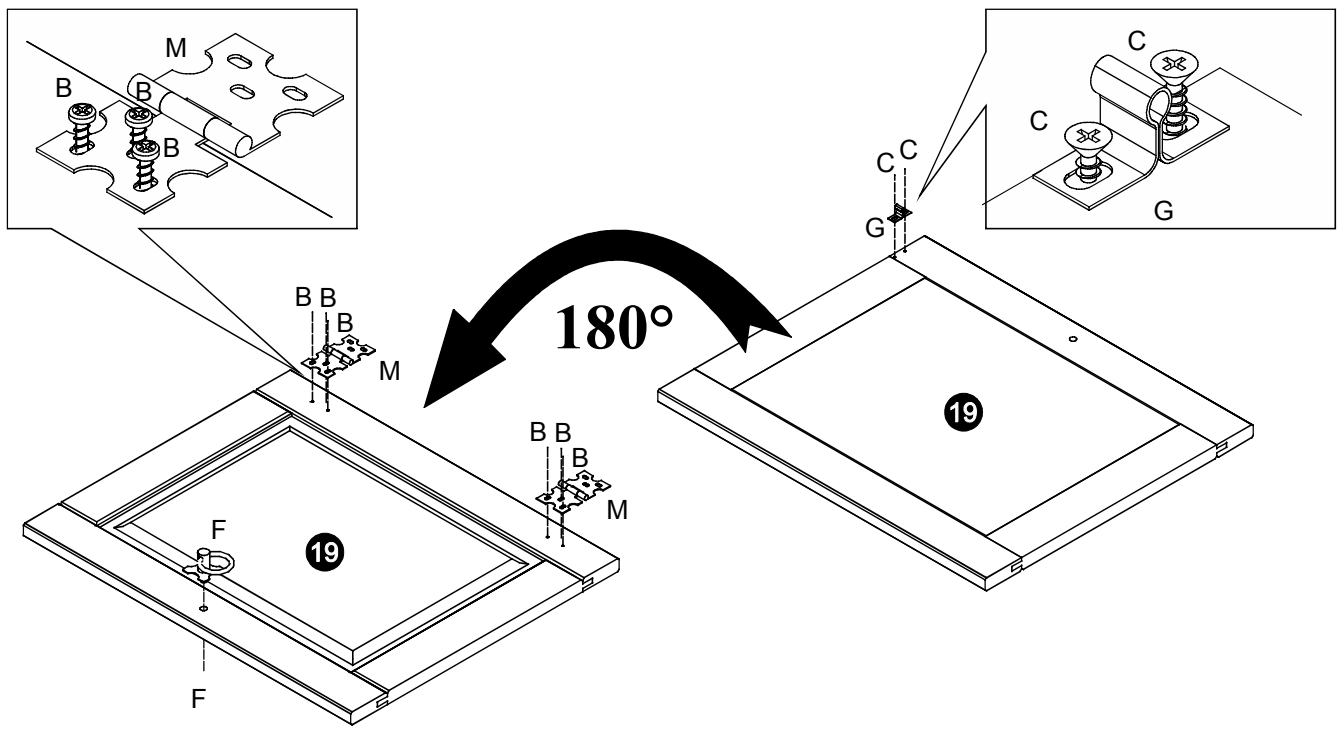
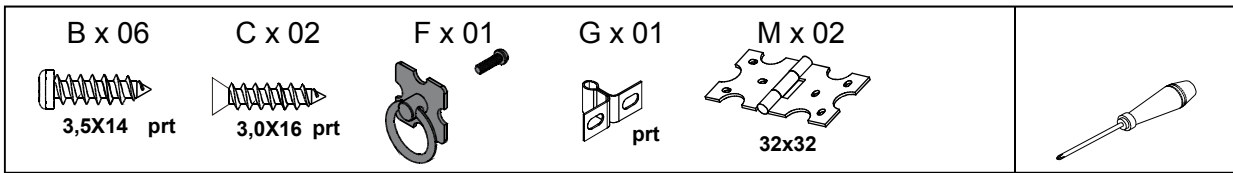
4,5X28



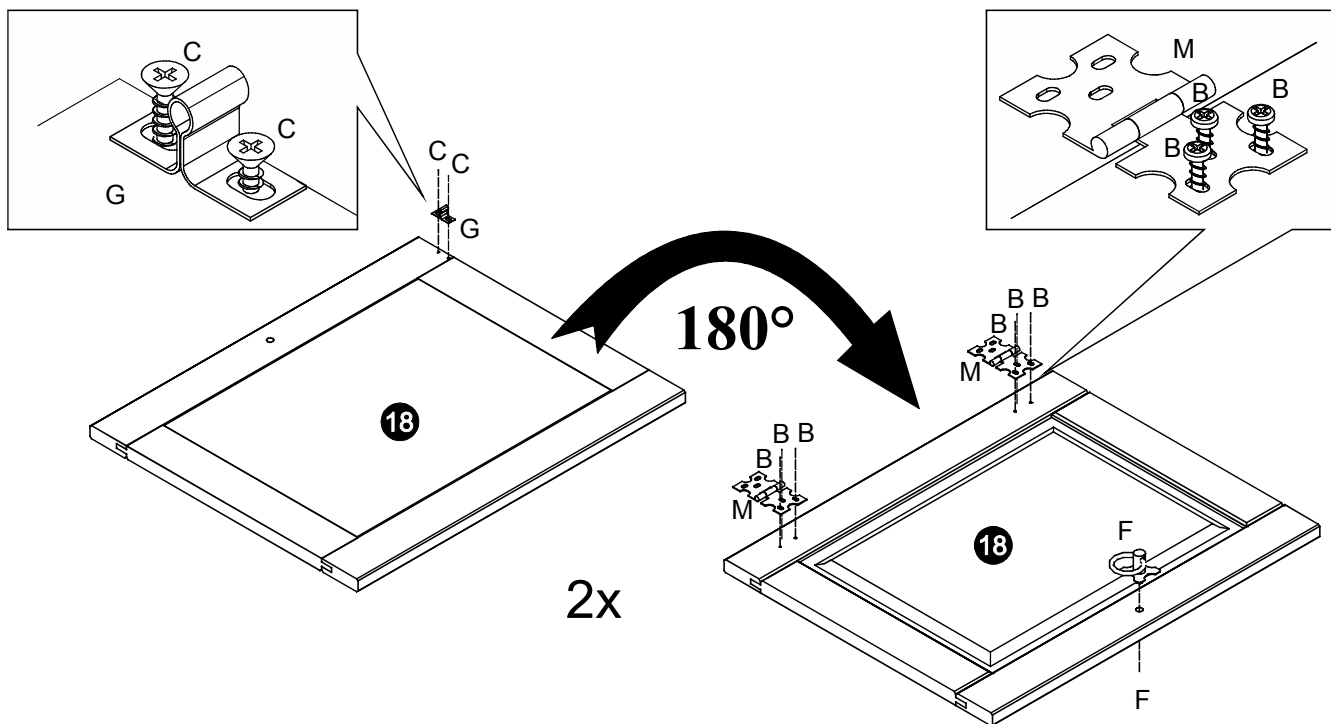
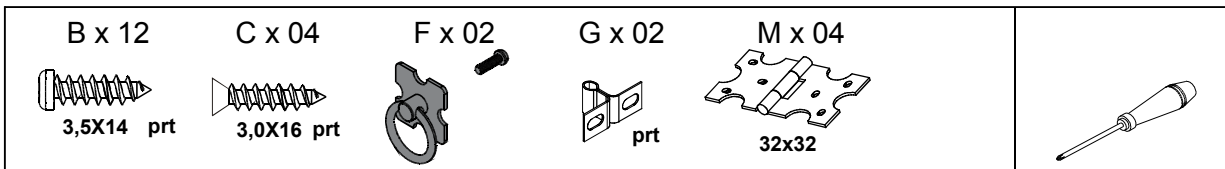
# 13



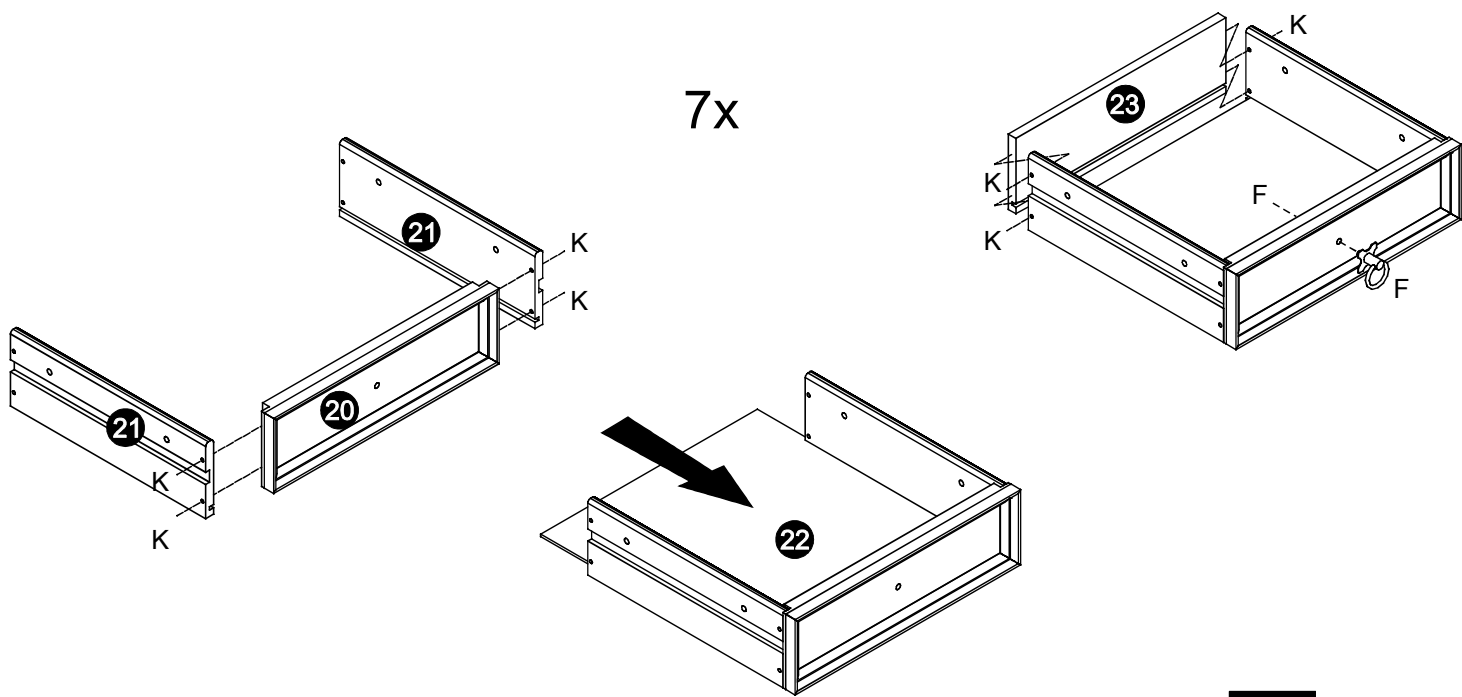
# 14



# 15

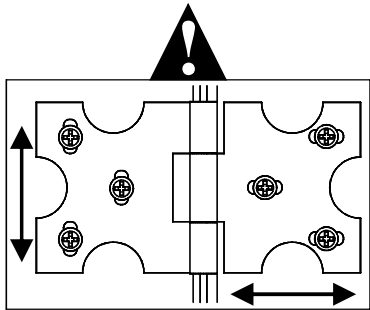
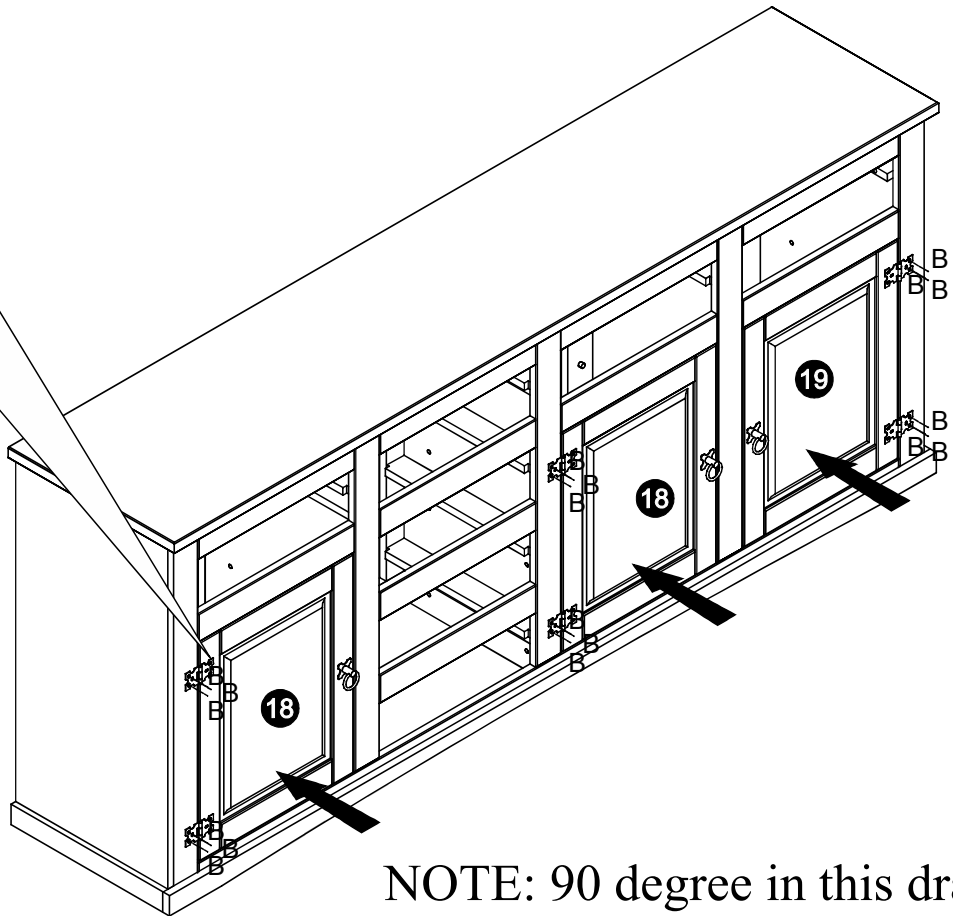
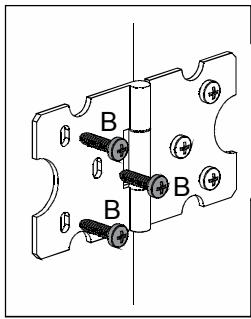
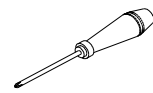
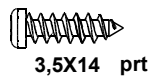


# 16



# 17

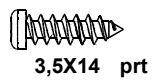
B x 18



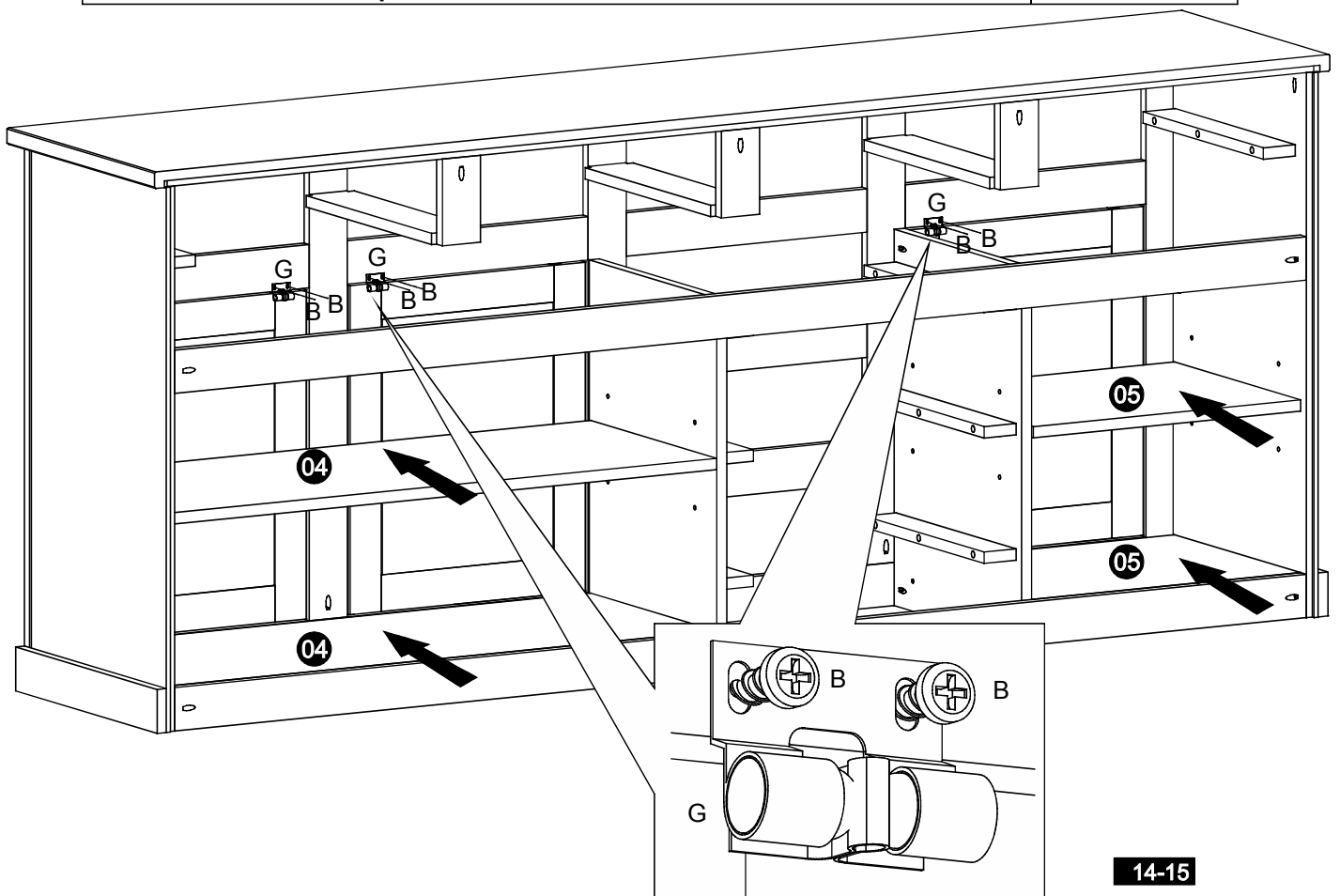
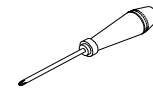
NOTE: 90 degree in this drawing

# 18

B x 06



G x 03

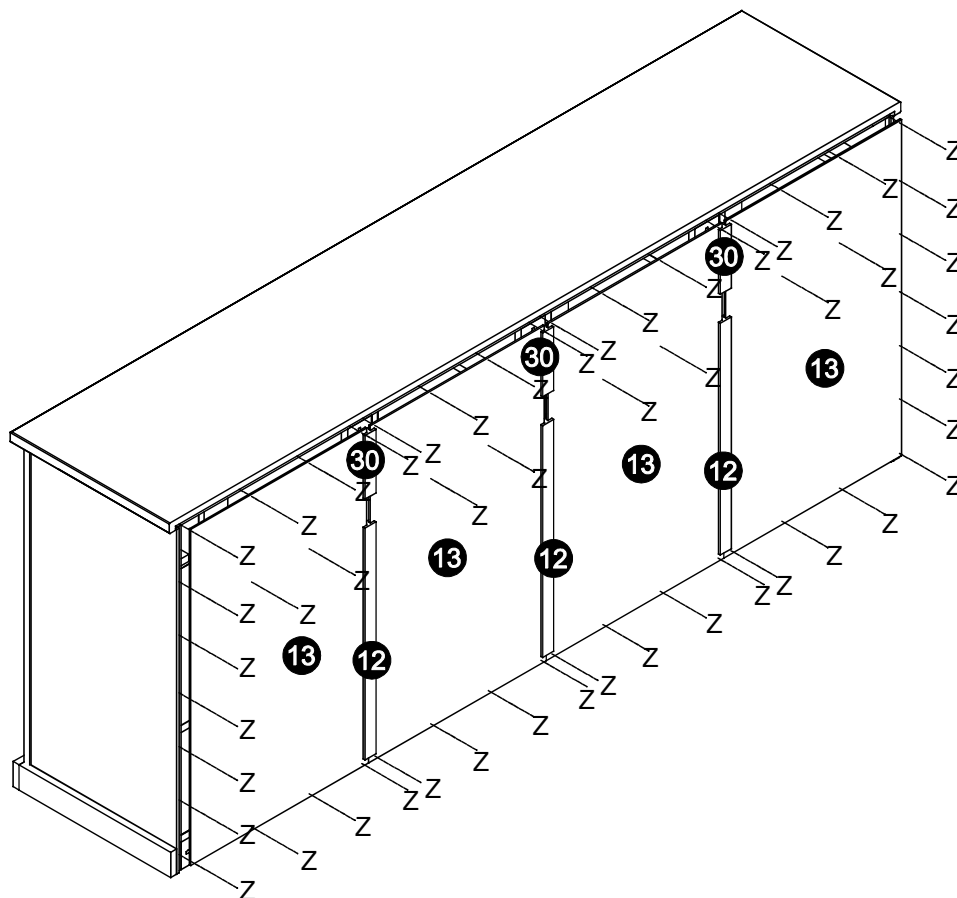
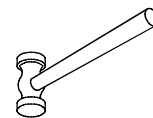


# 19

Z x 50



8 X 8



# 20

E x 14



8,0x25

