



www.arctic.ac

Freezer 7 PRO

Welcome Guide



support.arctic.ac/f7pro

Dear Customer,

Thank you for choosing the Freezer 7 PRO, one of the bestselling heatpipe coolers in the market.

Through hundreds of hours testing and simulations the Freezer 7 PRO evolved, offering a good noise/performance ratio at an affordable price.

I hope you enjoy the Freezer 7 PRO and we at ARCTIC look forward to further enriching your life with our products. If you would like to share how you use ARCTIC's products please do so at <https://www.facebook.com/ARCTIC.en>

ARCTIC is a fully carbon neutral company and your support helps us to compensate every kilogram of CO2 we produce.

Thank You.

Sincerely,

A handwritten signature in black ink, appearing to read "M. Huber".

Magnus Huber
ARCTIC CEO

Accessories

Intel

Ⓐ Screws (M3, 12 mm) x 2



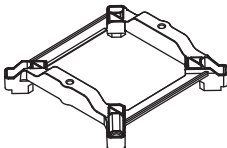
Ⓑ Push Pins x 4



Ⓒ Push Pins x 4



Ⓓ Mounting Plate

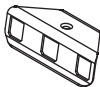


AMD

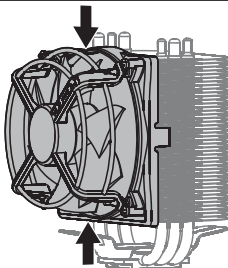
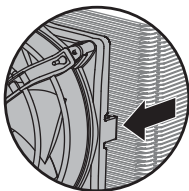
Ⓔ Screws (M3, 7 mm) x 2



Ⓕ Lugs x 2

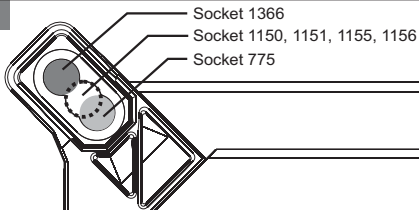


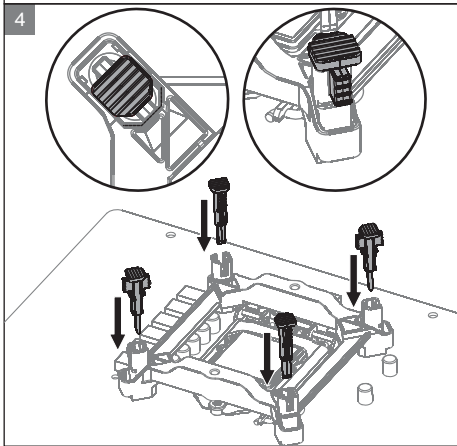
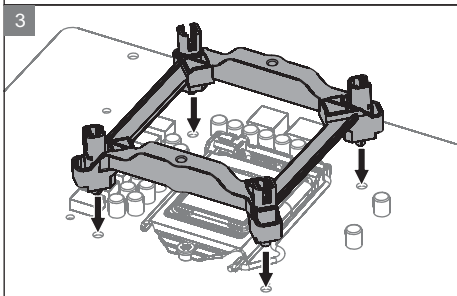
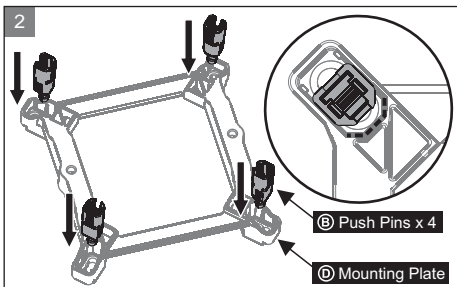
Preparation

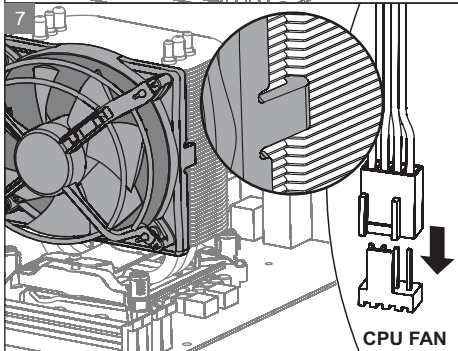
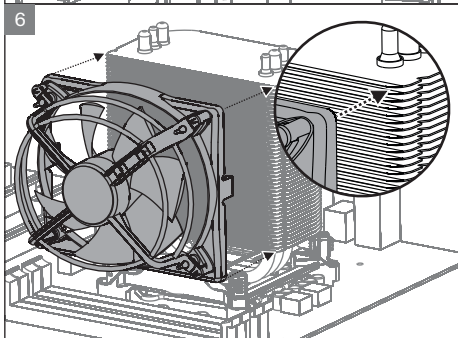
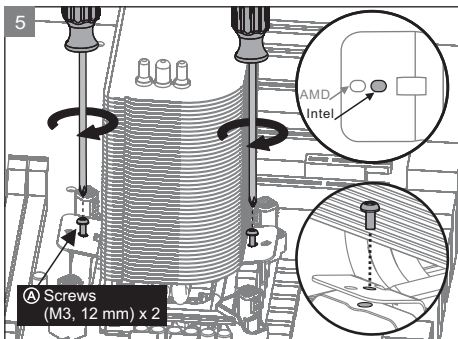


For Intel Sockets

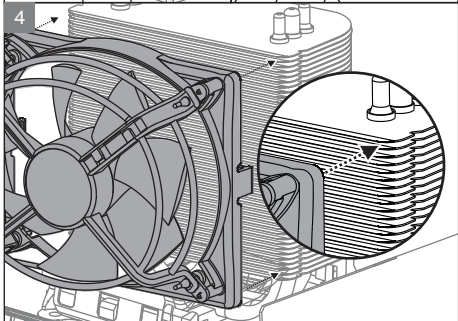
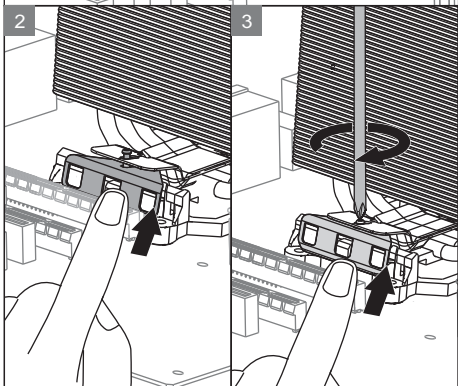
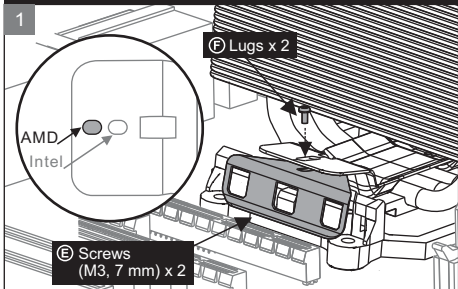
1

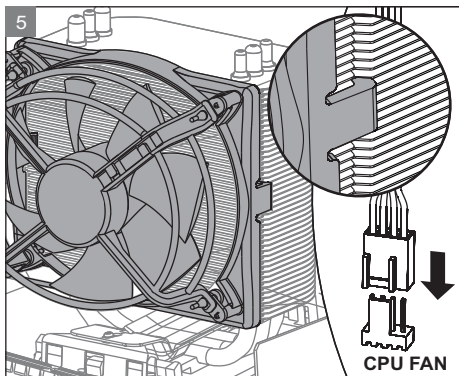






For AMD Sockets





Thermal Compound

If the cooler has to be installed a second time, we highly recommend using the MX-2 thermal compound from ARCTIC. Only this compound guarantees optimal performance in combination with the surface of our heatsinks.

MX-2 is available at <http://www.arctic.ac/mx2>

Warranty

This ARCTIC Product includes a six-year limited warranty. Please visit <http://warranty.arctic.ac> for further details.



© 2015 ARCTIC (HK) Ltd. All rights reserved.

No part of this manual including the products described in it, may be reproduced, transmitted, stored in a retrieval system, or translated into any language in any form or by any means, except documentation kept by the purchaser for backup purpose, without the express written permission of ARCTIC (HK) Ltd. In no event shall ARCTIC, its directors or employees be liable for any indirect damages, incidental or consequential damages arising from any defect or error in this manual or product.